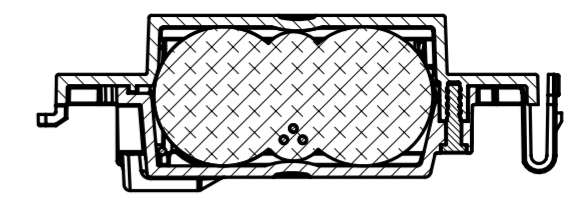
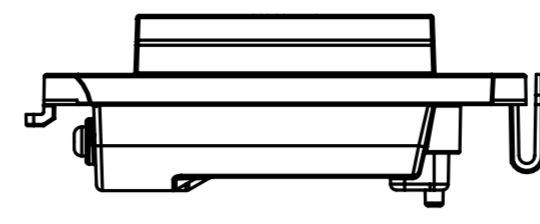
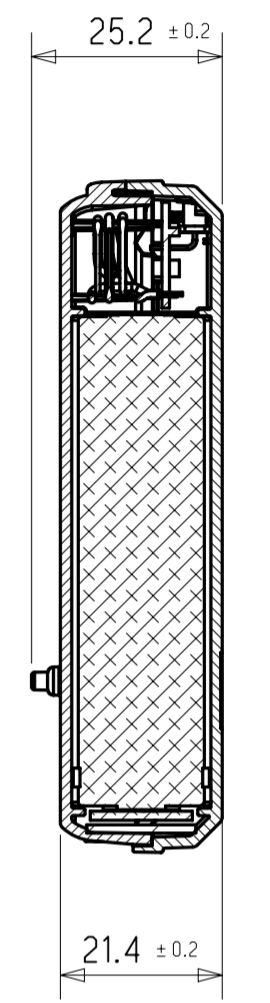
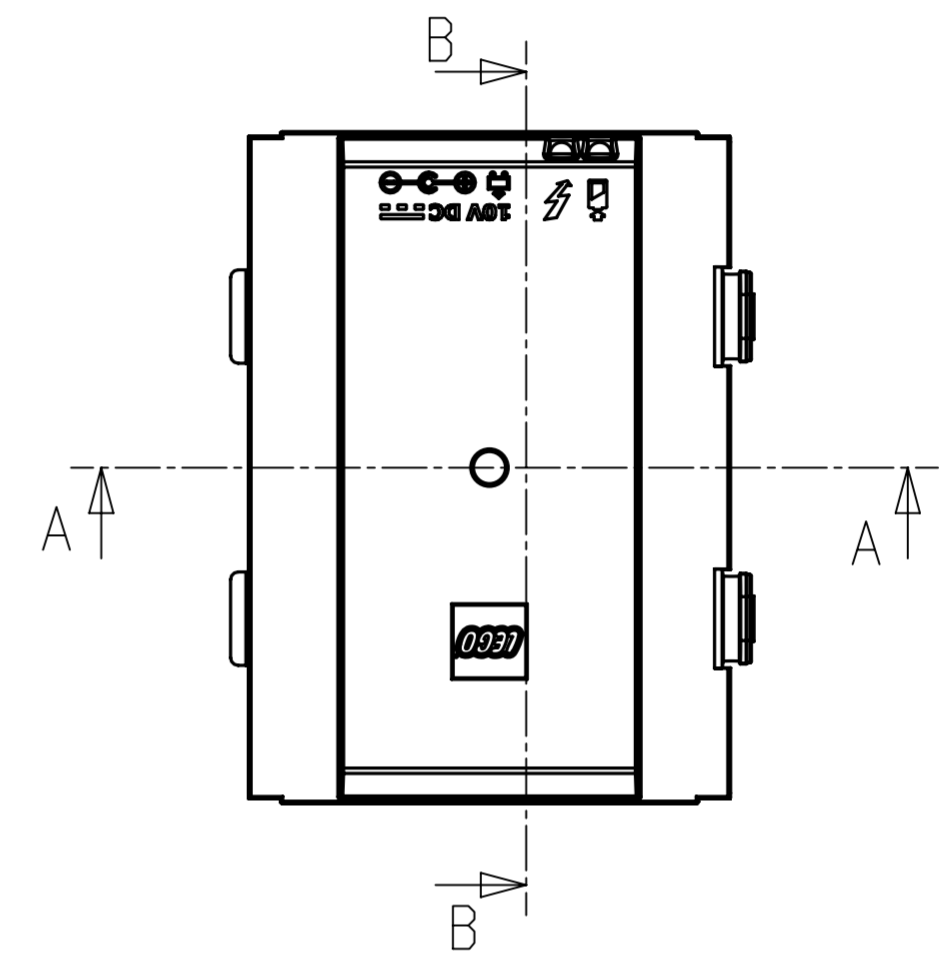
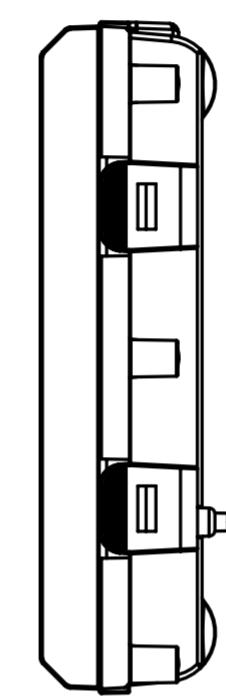
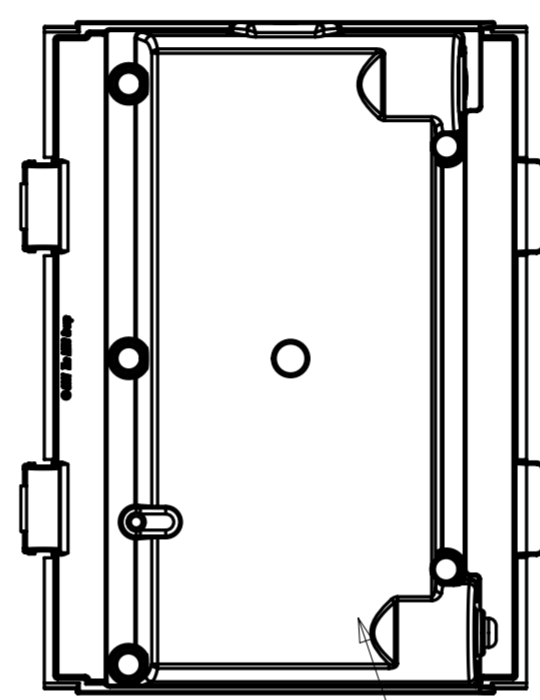


- 11142 - 1 pc
Color: 194 - Light Grey
- 11185 - 1 pc.
(Li- Battery Pack
- pre assembled w. PCB-A)
- 95657 - 1 pc.
(PCB-A Sub assembly)
- 11182 - 1 pc. Wire minus
(Preassembled w. PCB-A)
- 11179 - 1 pc. Plus-terminal
- 11181 - 1 pc. Plus-terminal Button
(Pre assembled w. PCB-A)
- 11183 - 1 pc. Wire plus
(Preassembled w. PCB-A)
- 11180 - 1 pc. Minus-terminal
(Pre assembled w. PCB-A)



SECTION A-A

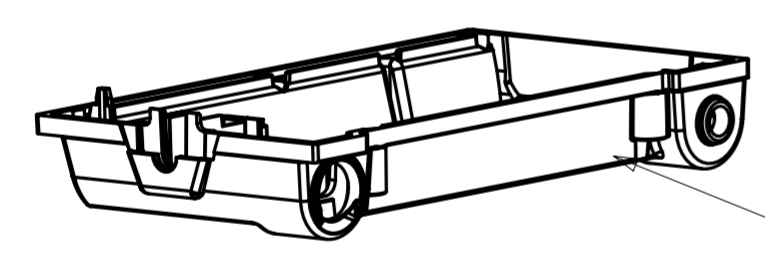


SECTION B-B

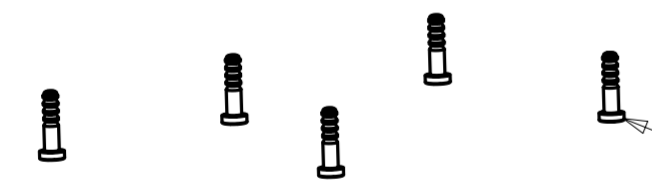
Production Date Code
to be stamped here
See also TS - Appendix 1



Air gap between top and bottom part,
Max. 0.15 mm near the 5 nails



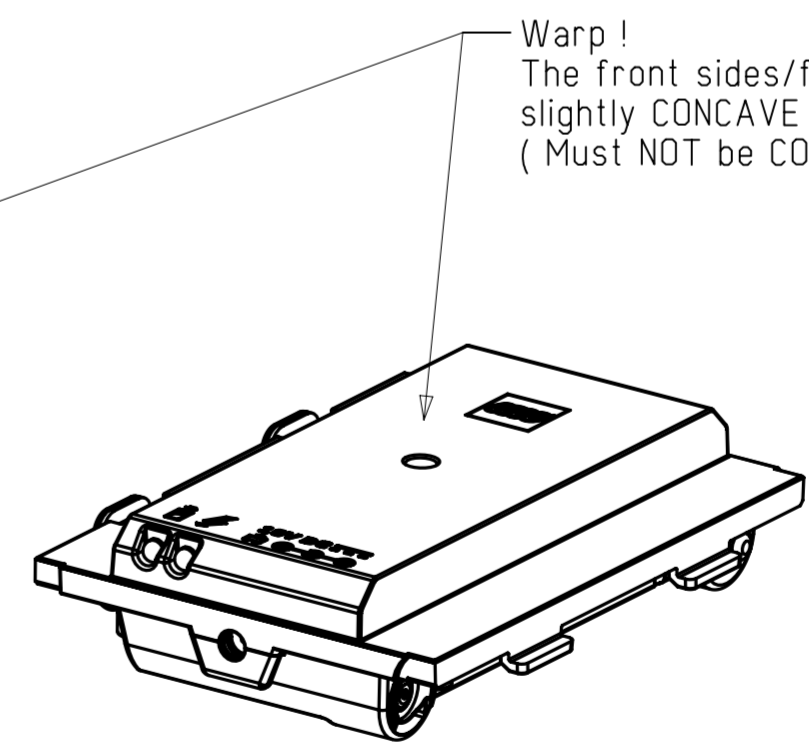
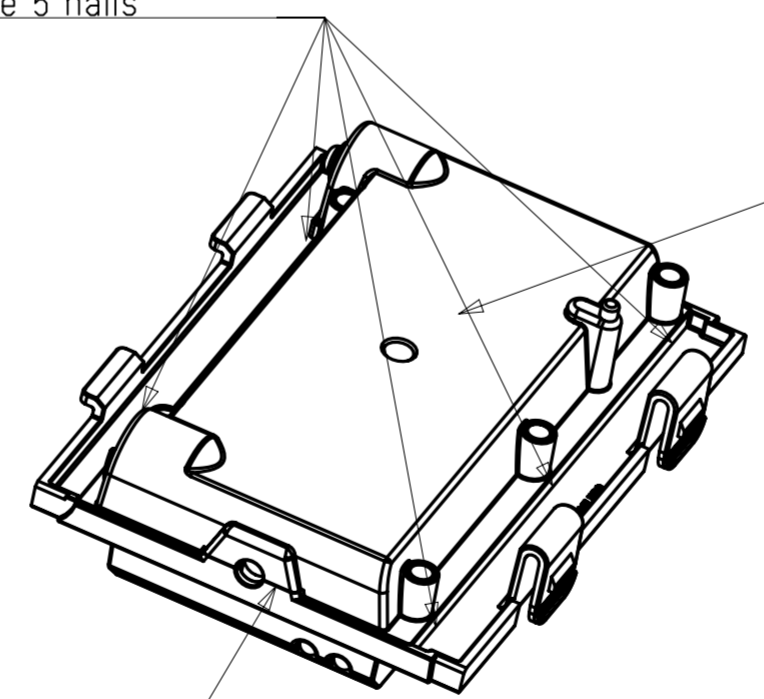
11143 - 1 pc
Color: 194 - Light Grey



11184 - 5 pc.
(Nail Ø 2 x 8)



Air gap between top and bottom part,
Max 0.25 mm at the plug hole



Warp !
The front sides/faces MUST be flat, - or
slightly CONCAVE shaped = (bending in at mid of area)
(Must NOT be CONVEX/Bend out at mid.)

				Tolerance in mm for dimensions without specified tolerance			Material: XXXXX		This drawing is the property of the LEGO Group and must not be passed on to, copied or used by any person not authorised by us. When not in use, the drawing must be stored carefully.	
				Over	Up to	Tolerance			LEGO	
				0	10	± 0,10	Total weight (g):		Part and version:	
3	F	F1: Add. airgap spec. + Date code pos.	05.02 2013	10	30	± 0,15	XXXXXX		95656 F1	
3	F	Update New PCB a.m.	17.08 2012	30	60	± 0,25	Designer	Created date	Element designation:	
	E	Update - Glue removed	27.03 2012	60	∞	± 0,50	HK	26.09 2011	MS-EV3 RECHARGEABLE BATTERY	
	D	Update	01.03 2012				Scale	Approved date	Info:	
	C	DFM Update	09.12 2011				1:1	28.09 2011		
Pos.		Modification	Date			Name				