



SPEED
CHAMPIONS

77262



LEGO® Builder



Get excited about our new packaging!

We're switching from plastic to paper-based packaging. That's why you might find a mix of paper and plastic in our boxes!

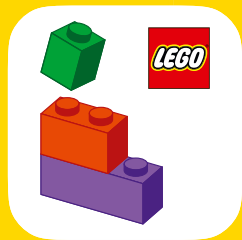
Nos nouveaux emballages vous emballeront !

Nous passons des emballages en plastique aux emballages à base de papier. C'est pourquoi vous pourriez trouver un mélange de papier et de plastique dans nos boîtes !

¡Te presentamos nuestros nuevos empaques!

Estamos sustituyendo las bolsas de plástico por bolsas con base de papel. ¡Por eso, puedes encontrar una mezcla de papel y de plástico en nuestras cajas!

[LEGO.com/sustainable-packaging](https://www.lego.com/sustainable-packaging)



LEGO® Builder



BUILDER



Apple and the Apple logo are trademarks of Apple Inc., registered in the U.S. and other countries and regions. App Store is a service mark of Apple Inc. Google Play and the Google Play logo are trademarks of Google LLC. Tencent and the Tencent logo are trademarks of Tencent Inc.

LEGO.com/devicecheck

EN Ask parents' permission before going online | DE Eltern um Erlaubnis bitten, bevor du online gehst | FR Demande l'autorisation d'un parent avant d'aller en ligne | IT Chiedi il permesso ai tuoi genitori prima di andare online | ES Pídeles permiso a tus papás antes de conectarte a Internet | PT Pede autorização aos teus pais antes de ficares online | ZH 上网前应先征得父母的同意 | PL Poproś rodziców o zgodę, zanim wejdiesz do Internetu | CS Než půjdeš na internet, požádej rodiče o svolení | SK Skôr než pôjdeš na internet, vypýtaj si povolenie od rodičov | HU Kérj szülői engedélyt, mielőtt online csatlakoznál! | UA Запитуйте дозволу батьків, перш ніж користуватися інтернетом | RO cere permisiunea părinților înainte de a te conecta online | BG Поискайте разрешение от родител, преди да влезете онлайн | LV Pirms došanās tiešsaistē palūdz atļauju vecākiem | ET Enne Interneti kasutamist küsi vanematelt luba | LT Prieš prisijungdami prie interneto, atsiklauskite tėvų | TR İnternete girmeden önce anne babandan izin iste

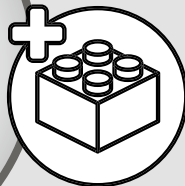
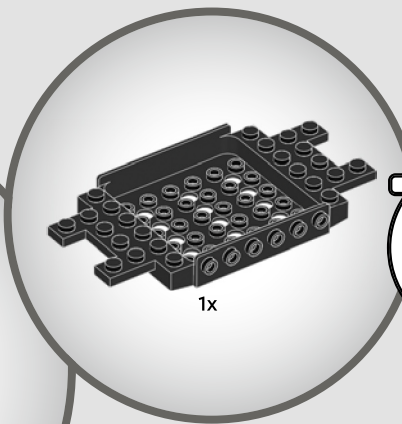
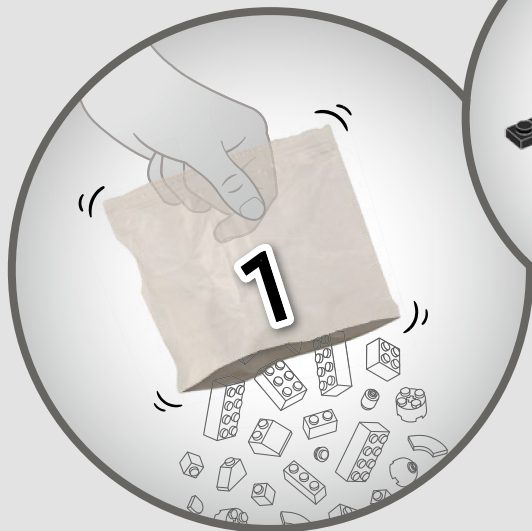
BLACK



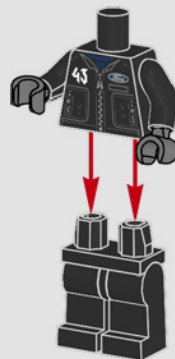
Wild in the streets of Los Angeles
Déchaînée dans les rues de Los Angeles
Salvaje en las calles de Los Angeles



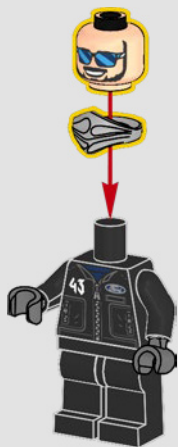
Built from the bricks of Billund
Construite à partir des briques de Billund
Construido con bricks de Billund



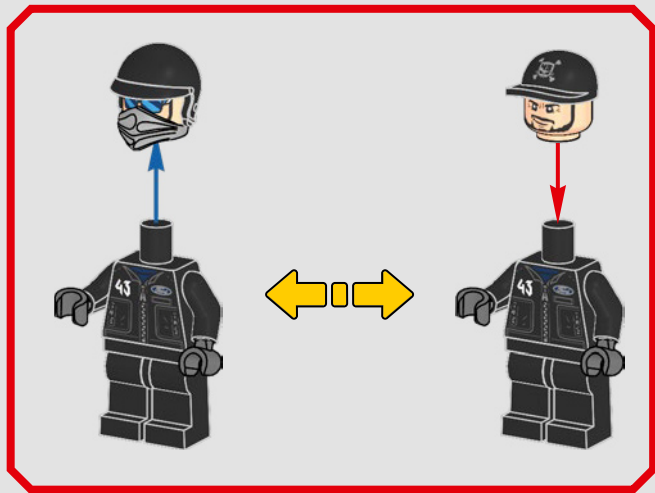
1

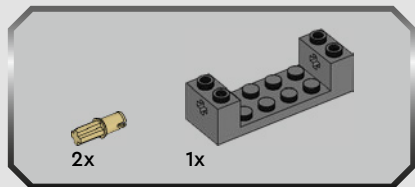


2

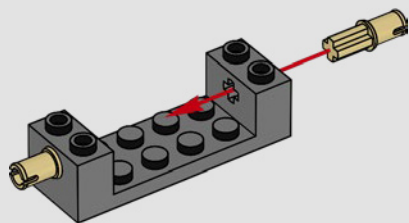


3

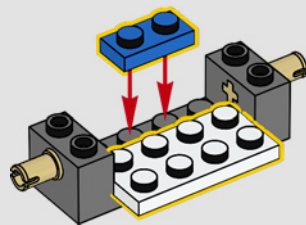




1

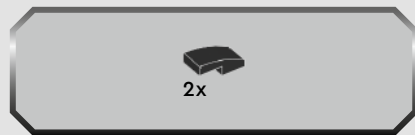
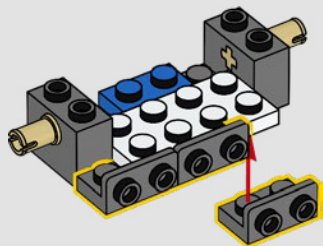


2

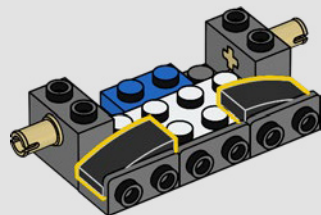


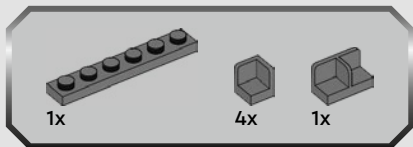


3

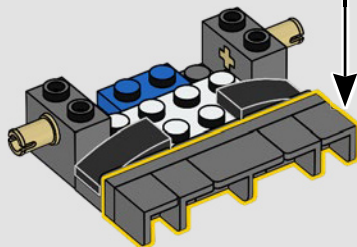
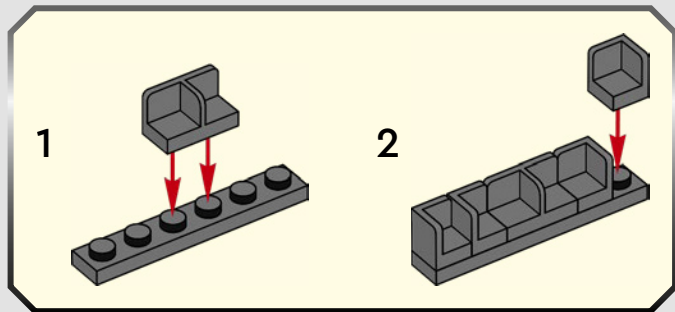


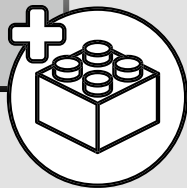
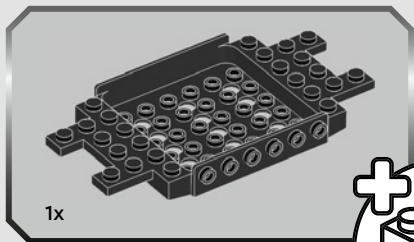
4



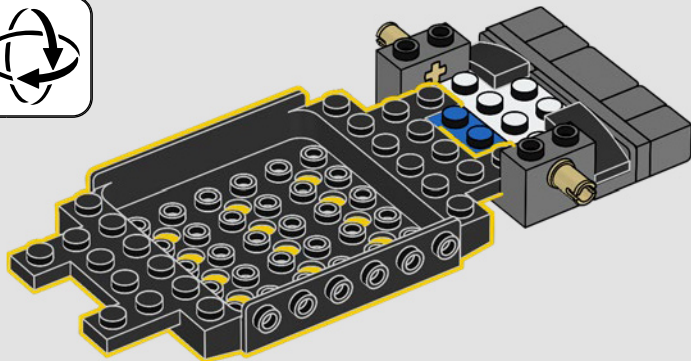


5

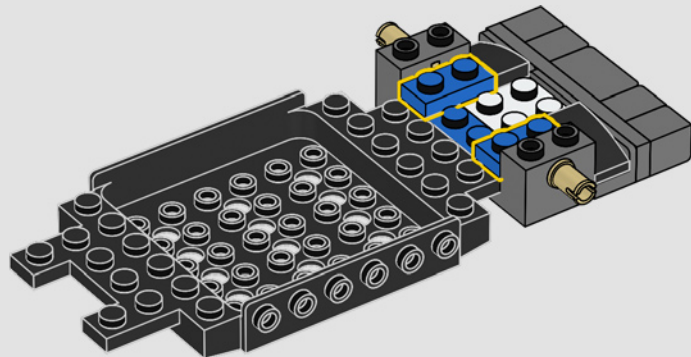




6



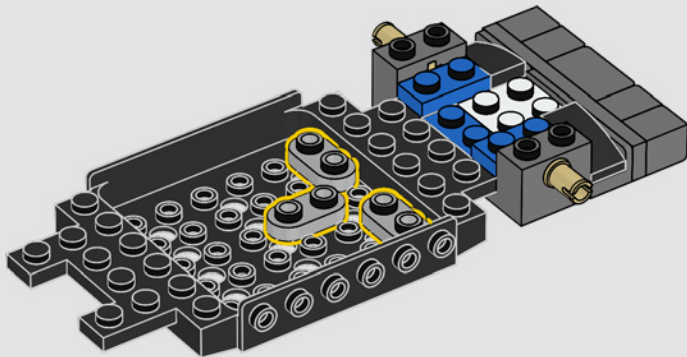
7





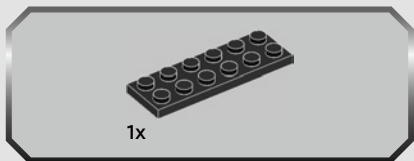
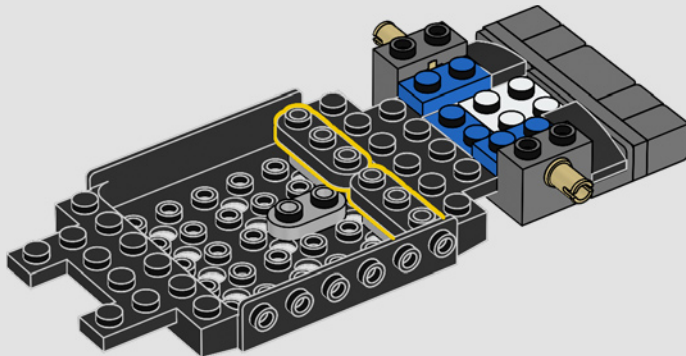
3x

8

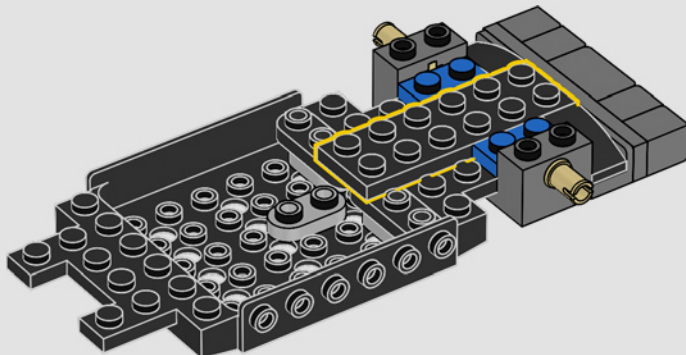


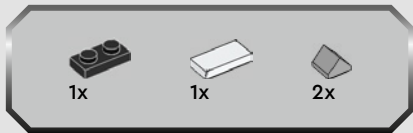


9

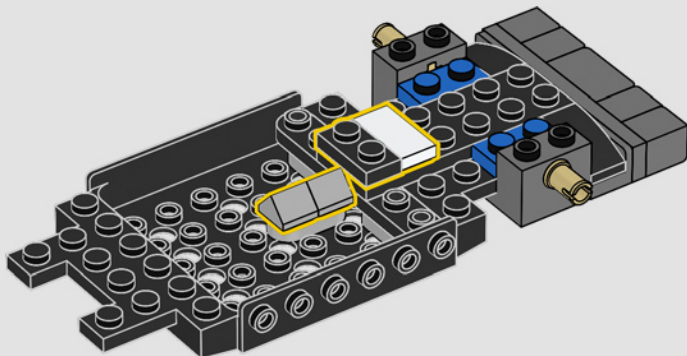


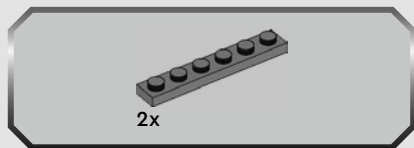
10



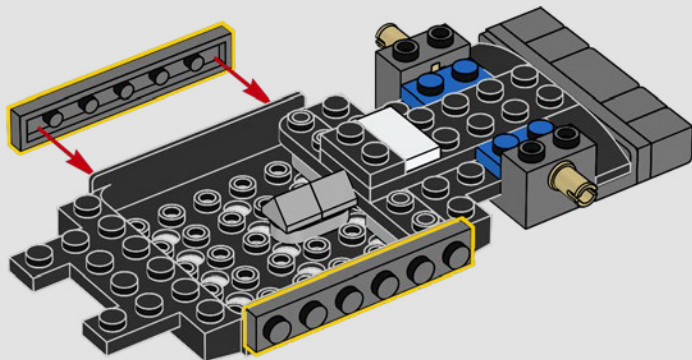


11

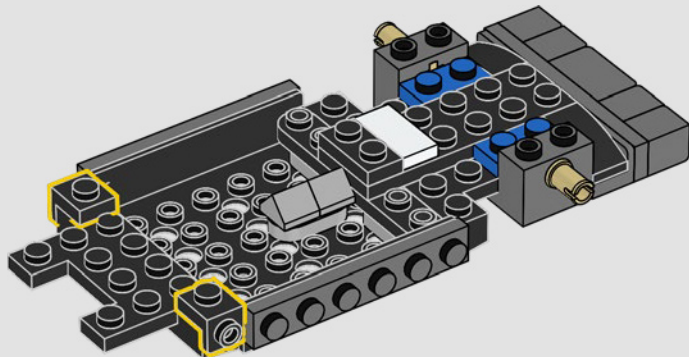


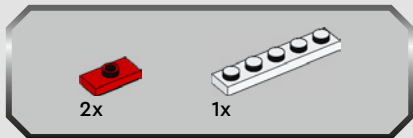


12

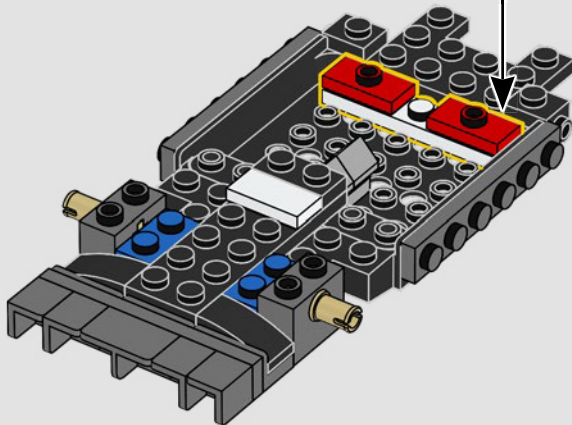
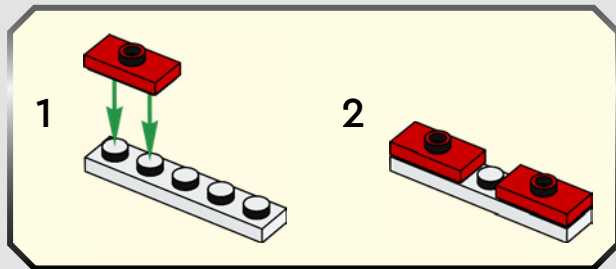
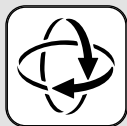


13



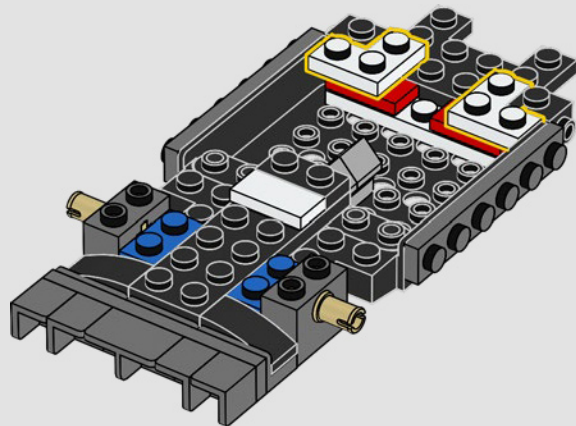


14

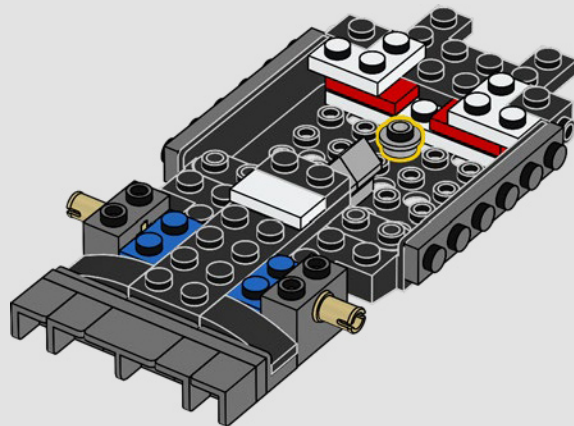


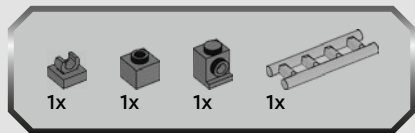


15

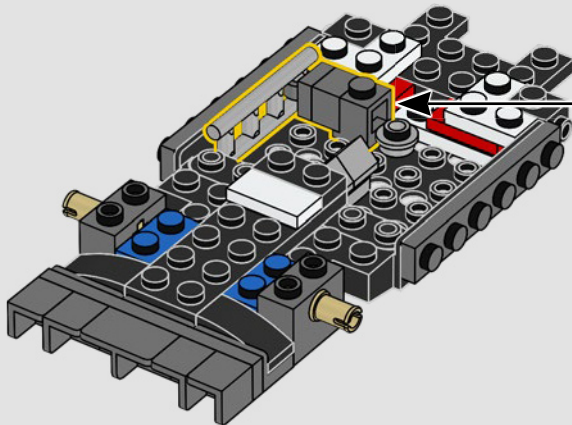
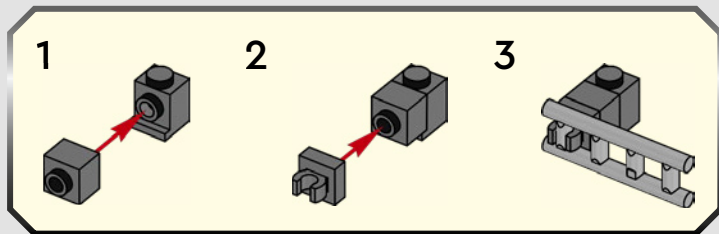


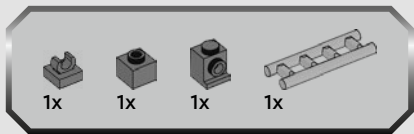
16



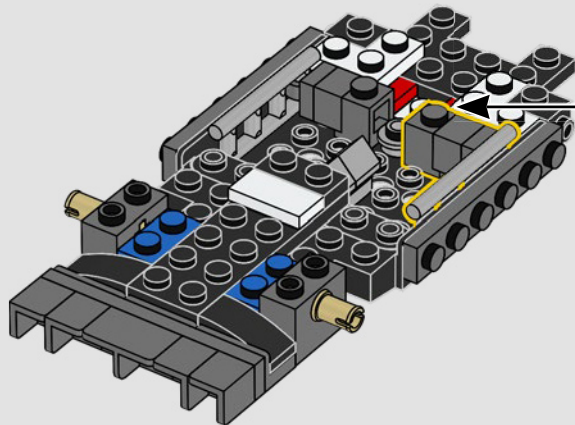
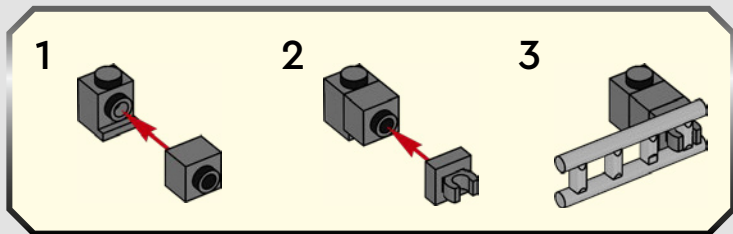


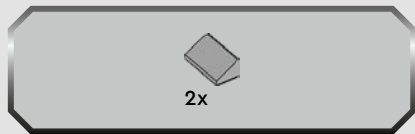
17



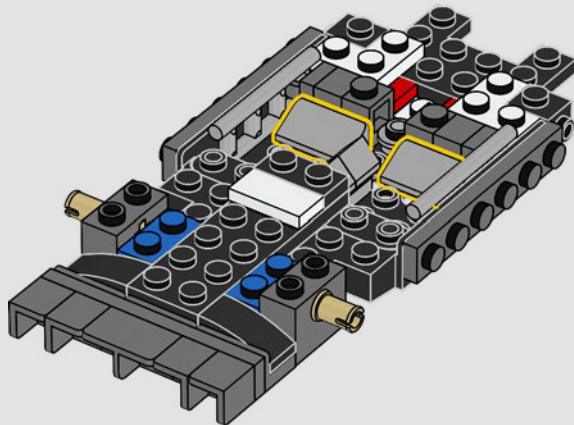


18



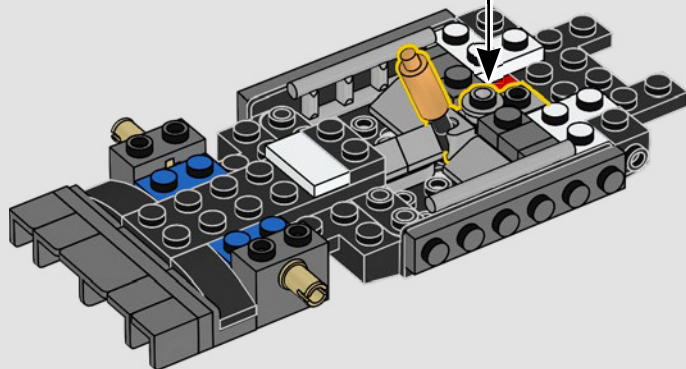
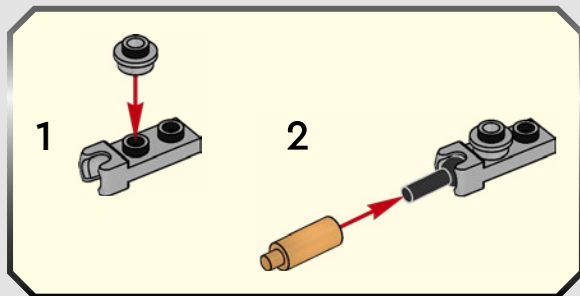


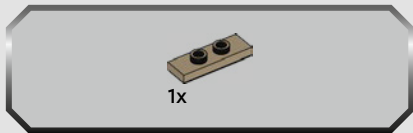
19



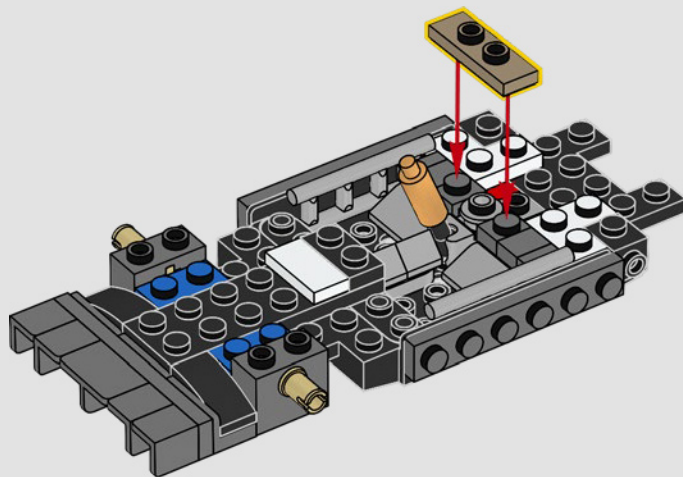


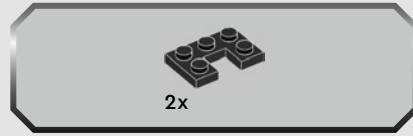
20



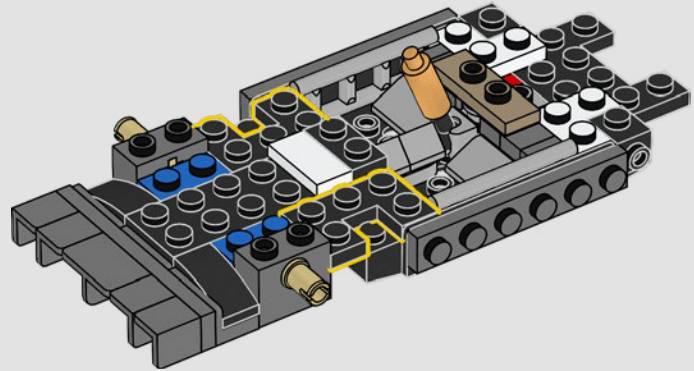


21





22



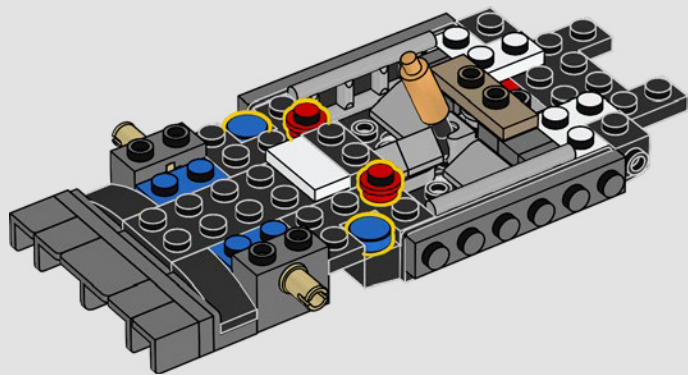


2x



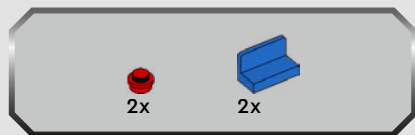
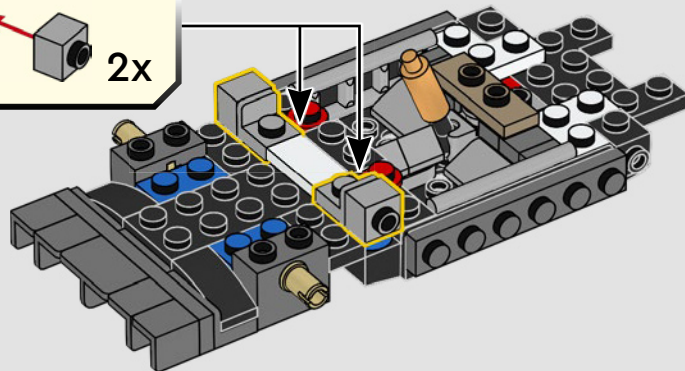
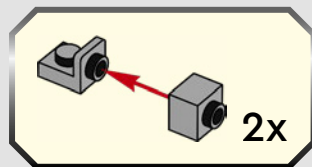
2x

23

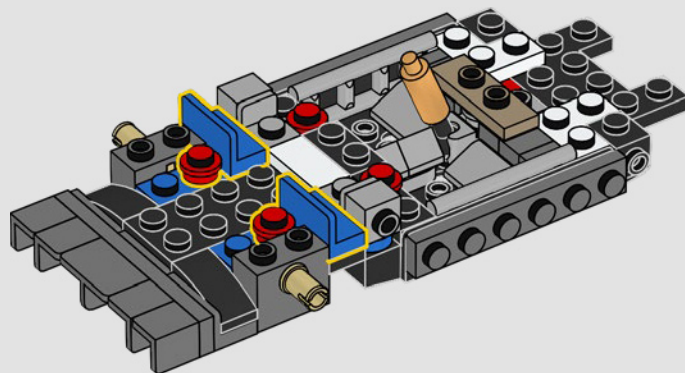




24



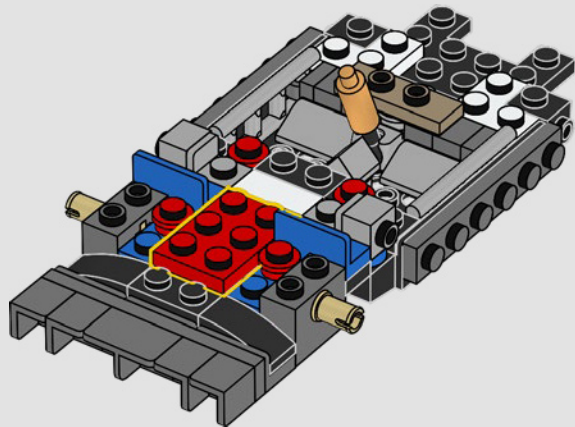
25





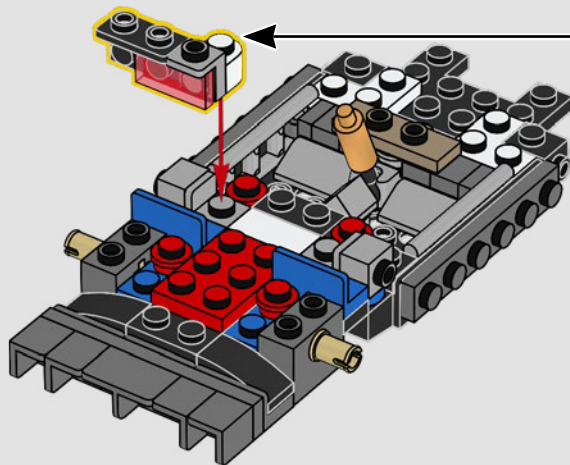
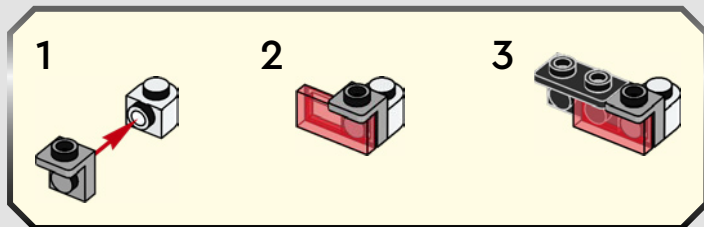
1x

26



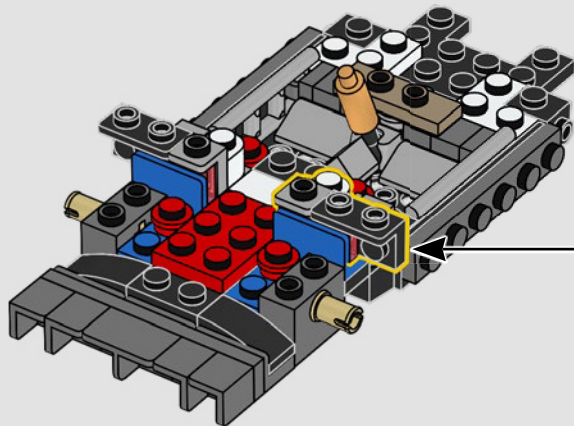
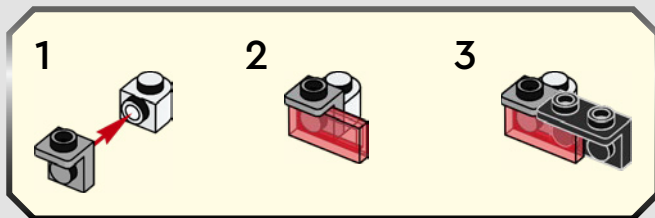


27





28



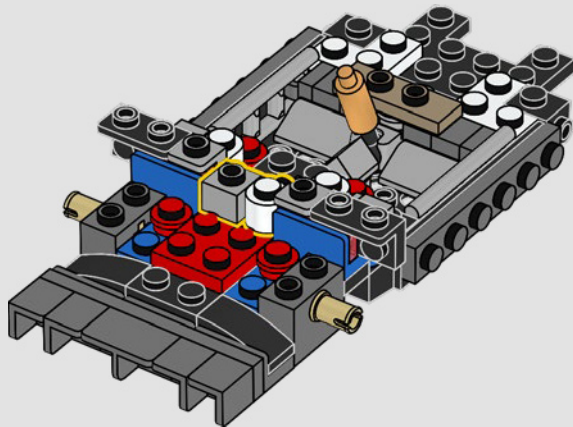


1x



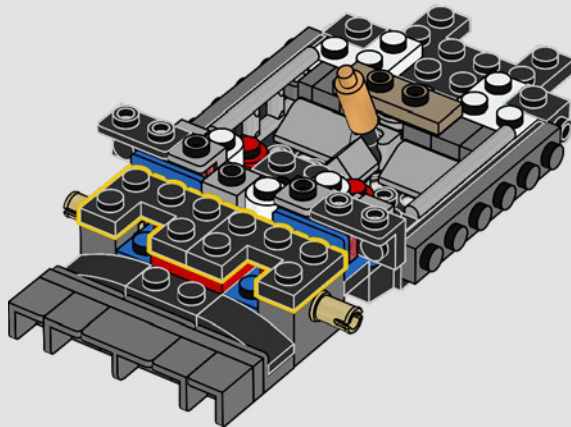
1x

29



2x

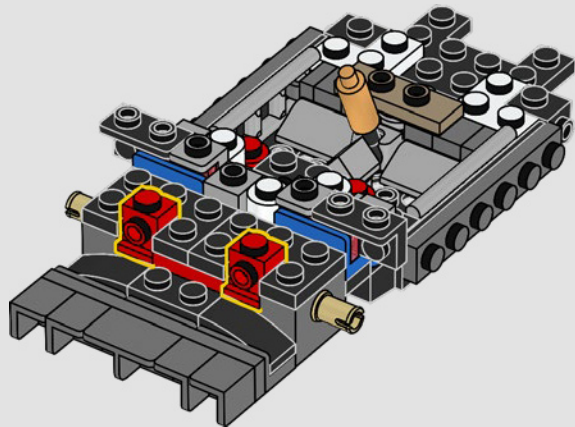
30





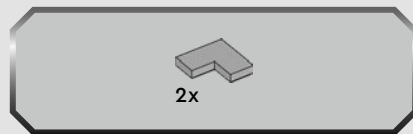
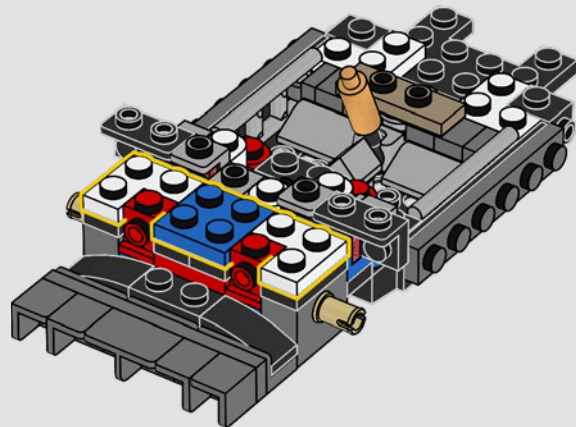
2x

31

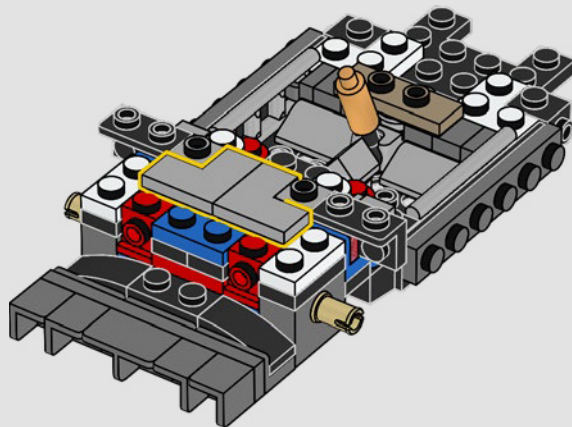


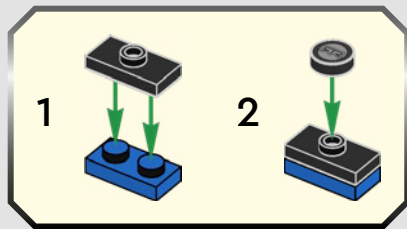
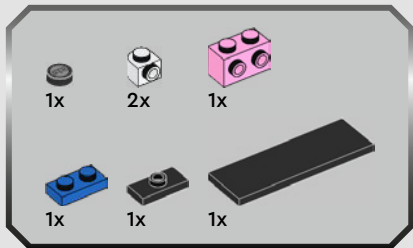


32

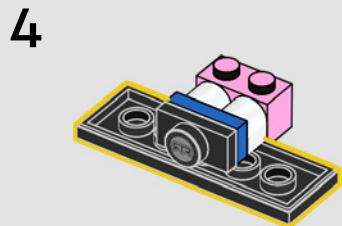
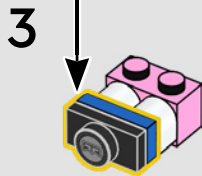
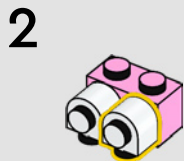
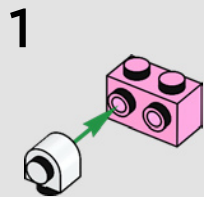


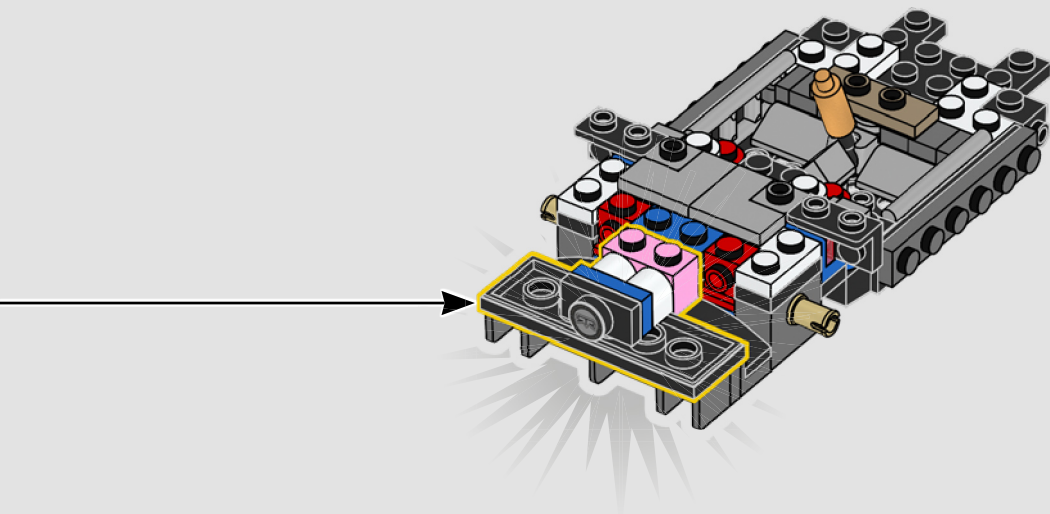
33

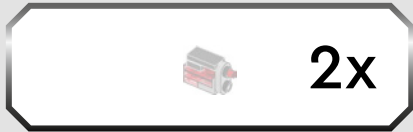




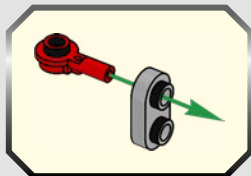
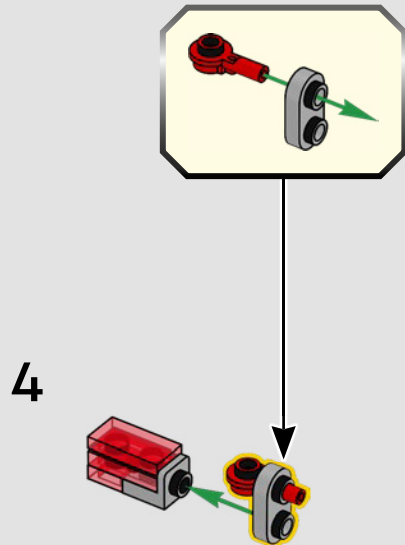
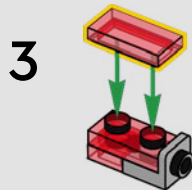
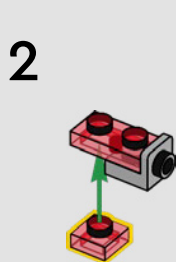
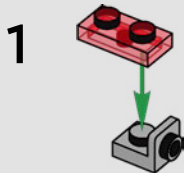
34

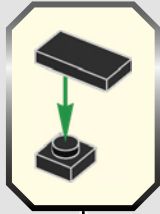




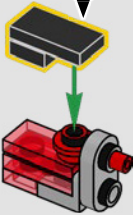


35

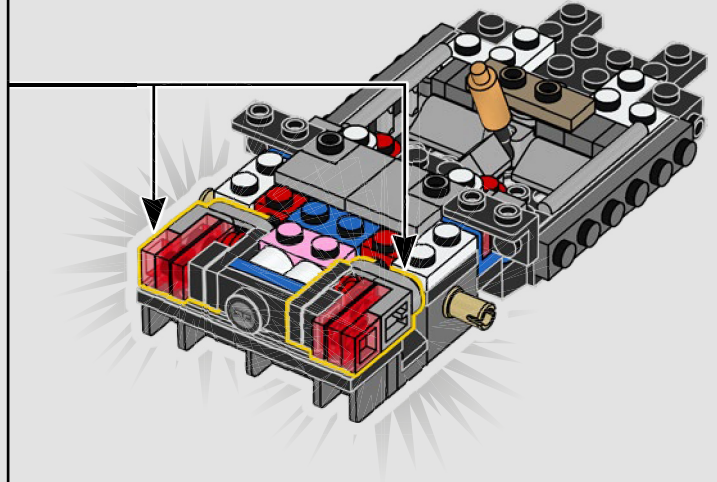


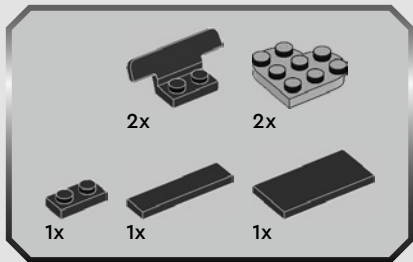


5

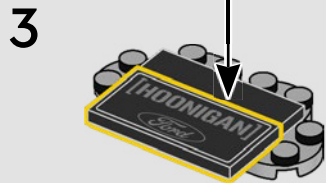
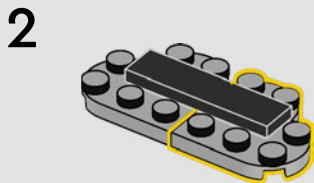
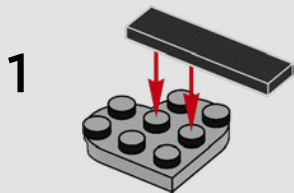
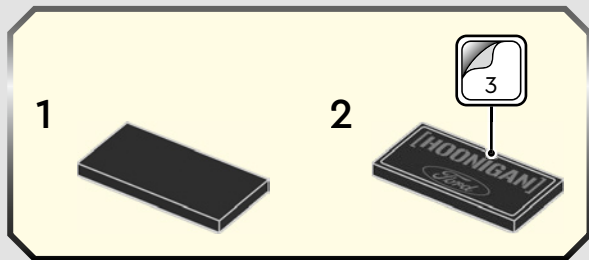


2x

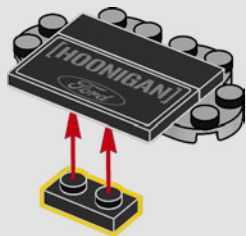




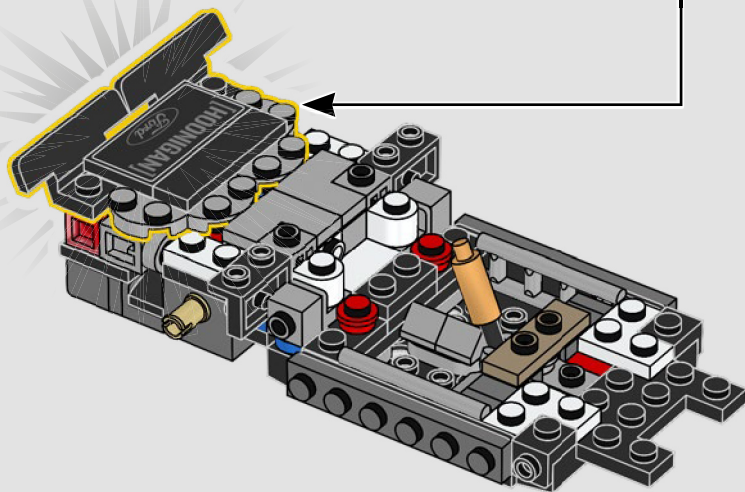
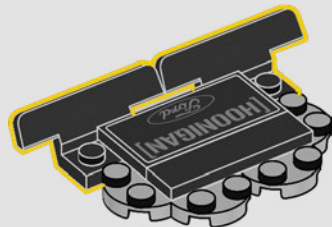
36

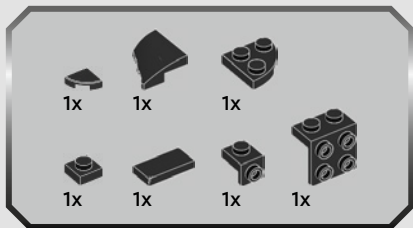


4



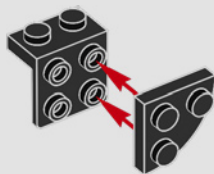
5



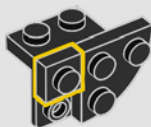


37

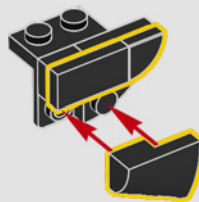
1



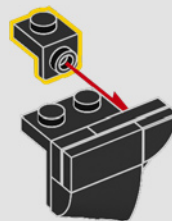
2

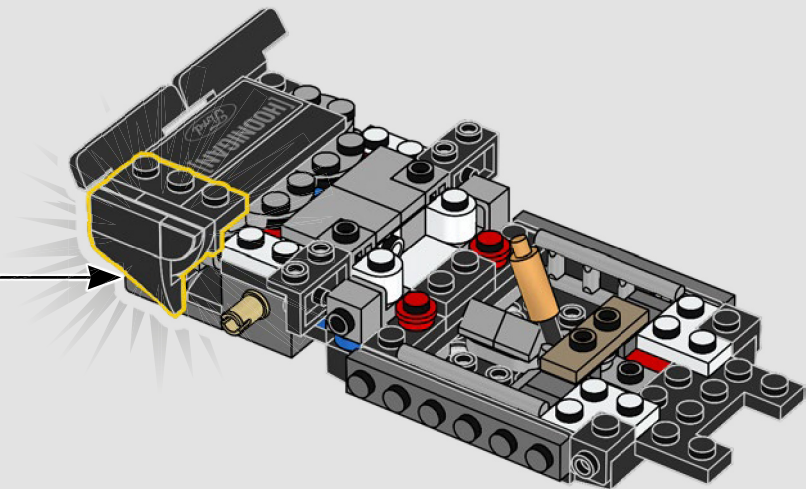


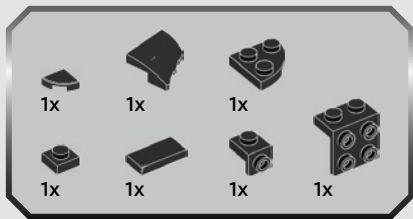
3



4

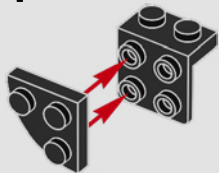






38

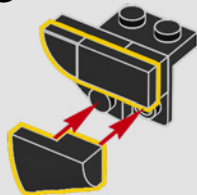
1



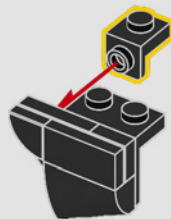
2

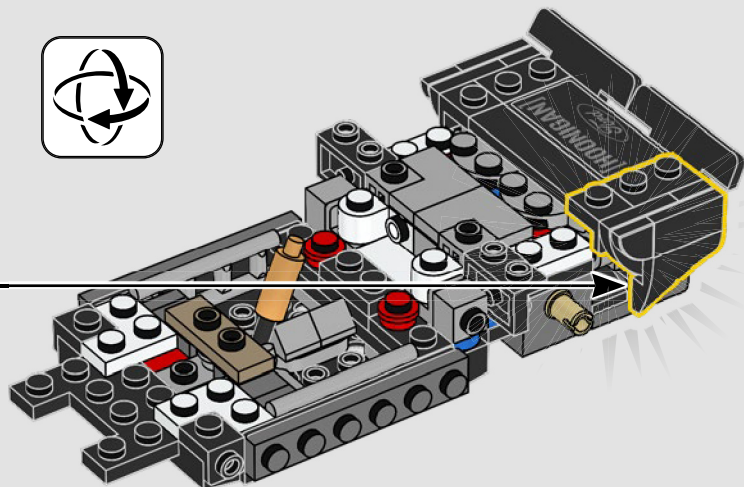


3



4

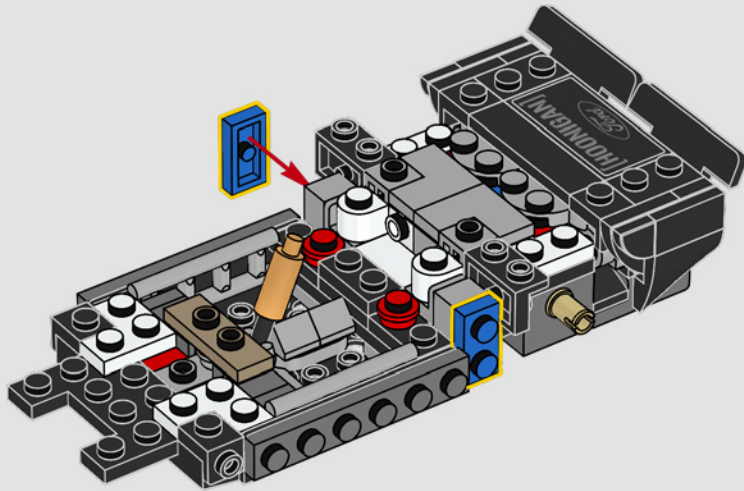






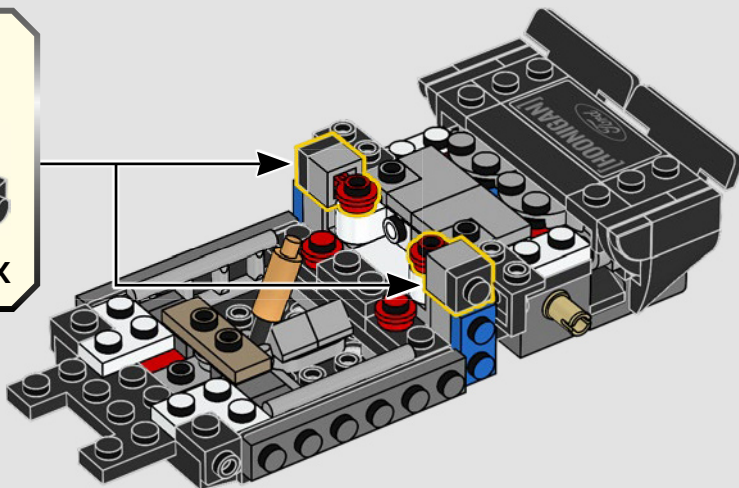
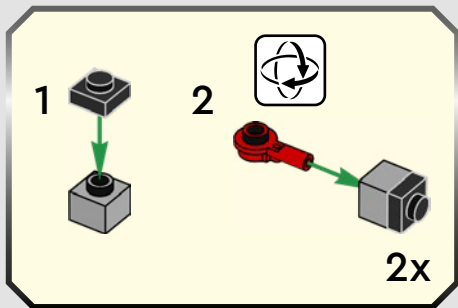
2x

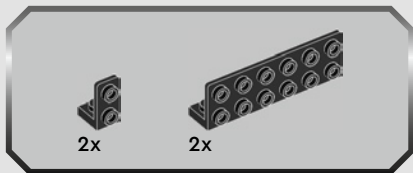
39



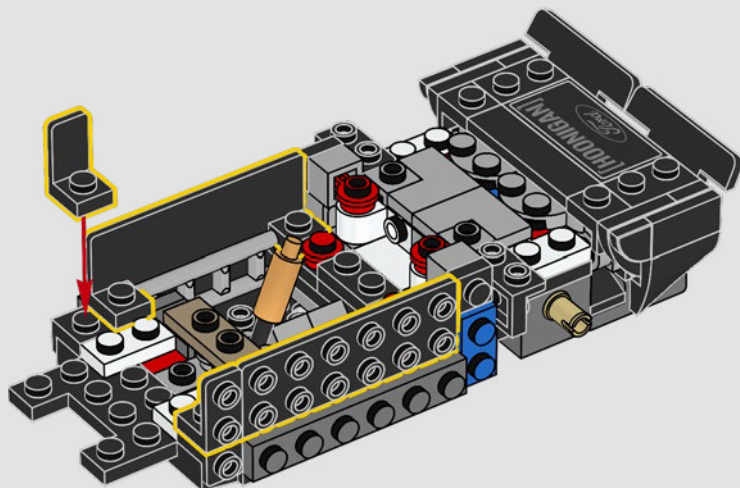


40



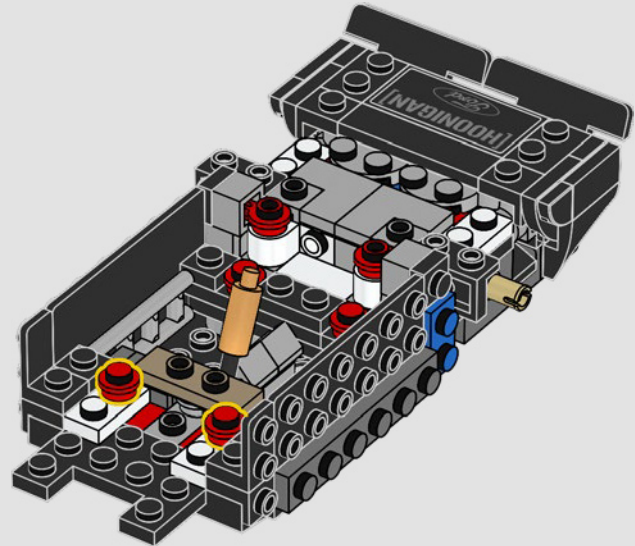


41





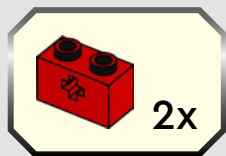
42



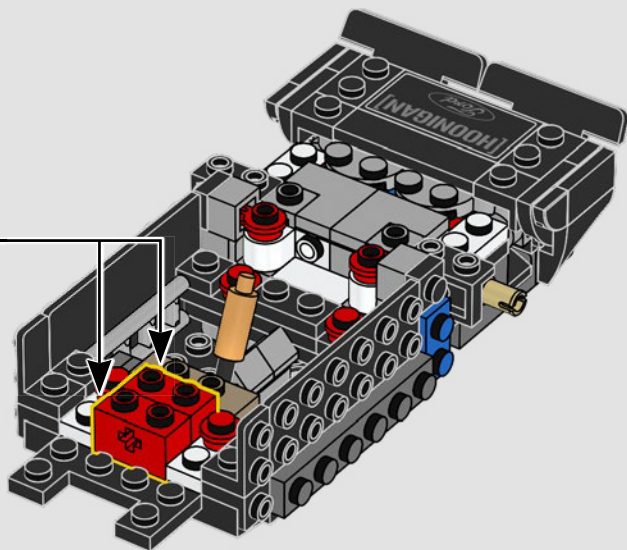


2x

43

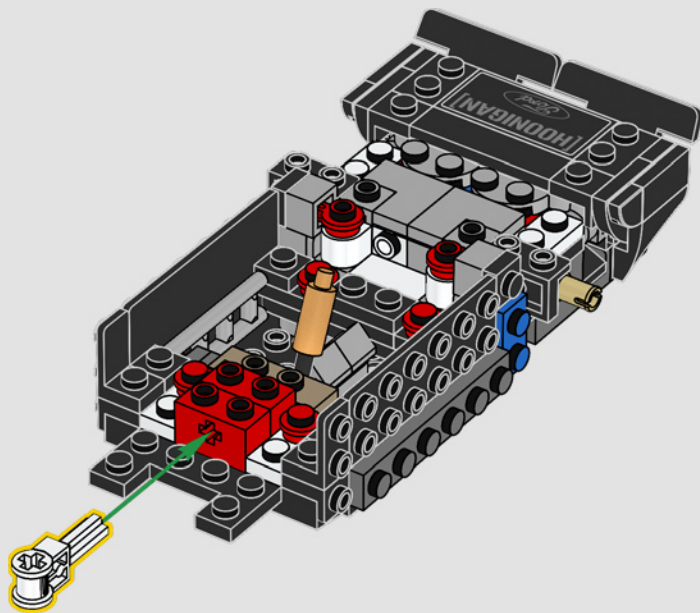


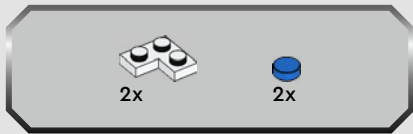
2x



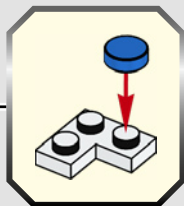
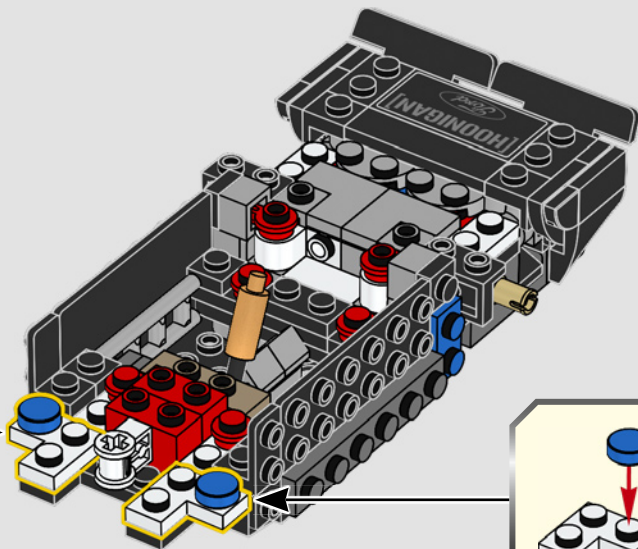
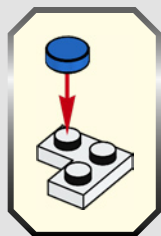


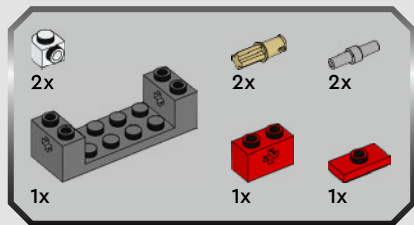
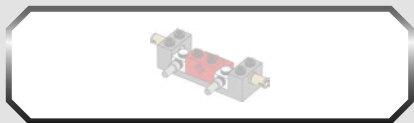
44





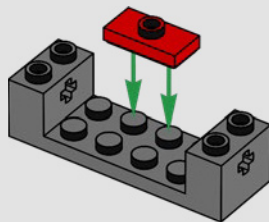
45



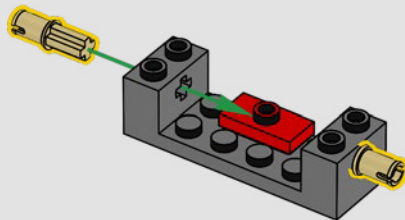


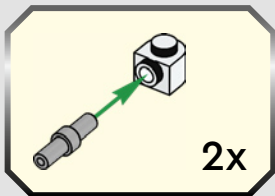
46

1

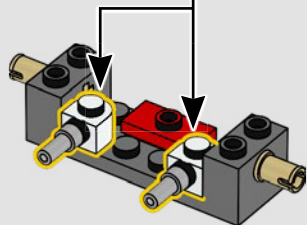


2

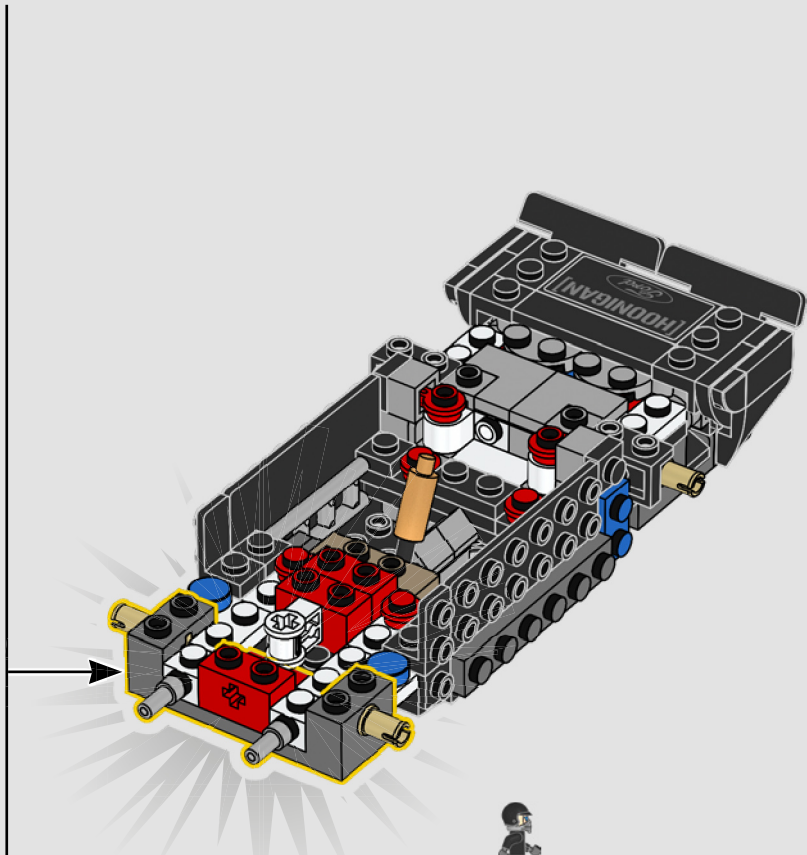
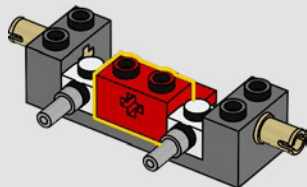


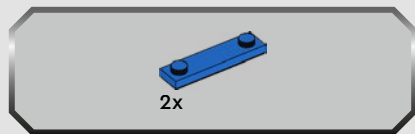


3

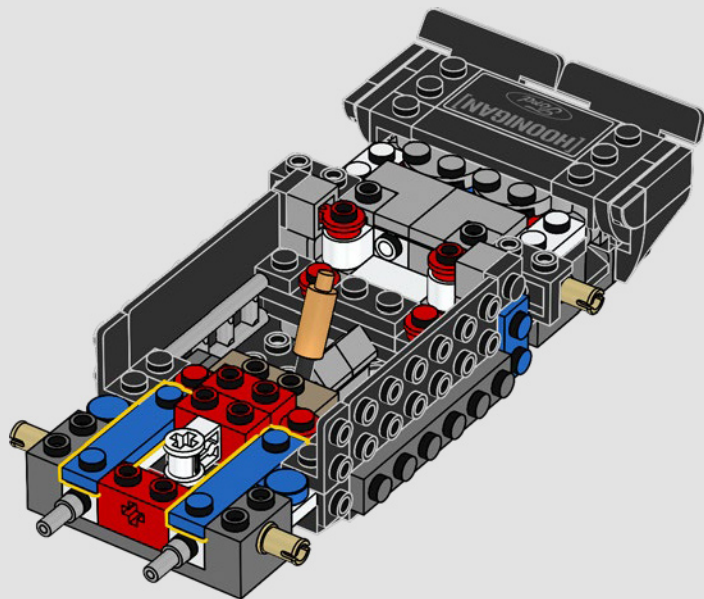


4





47



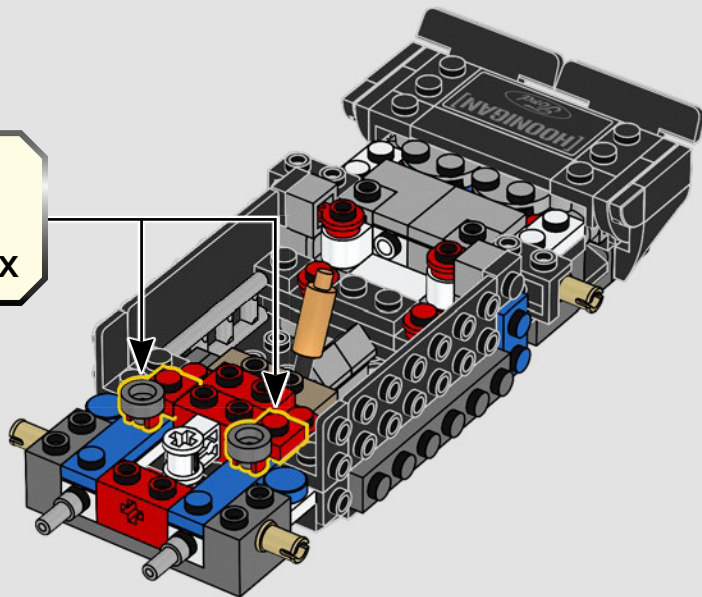
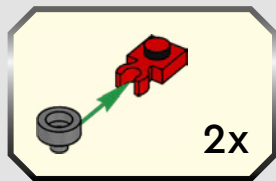


2x



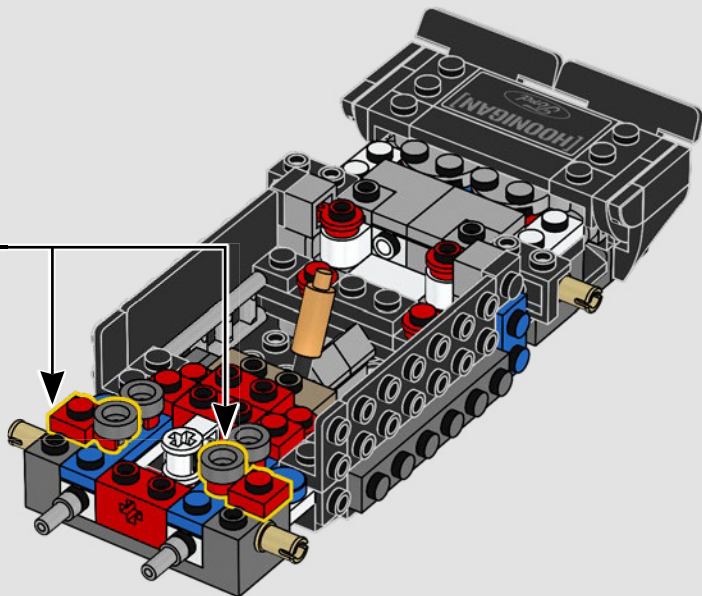
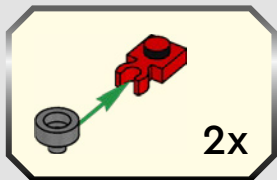
2x

48





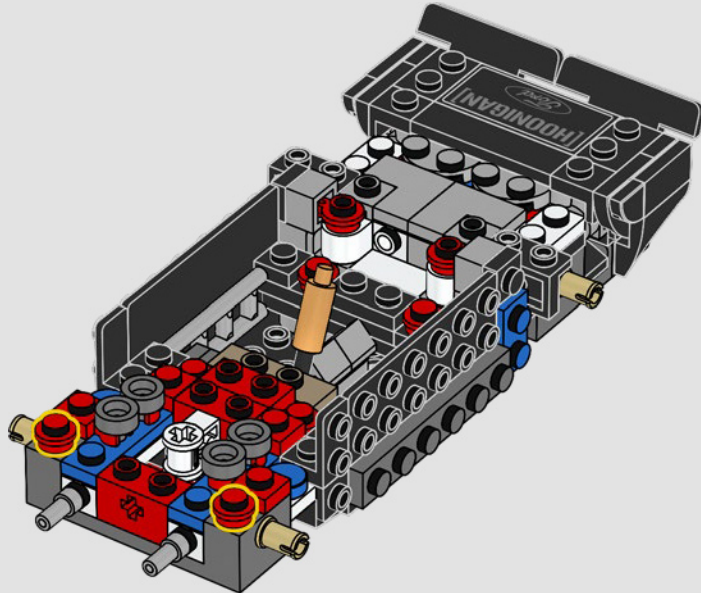
49





2x

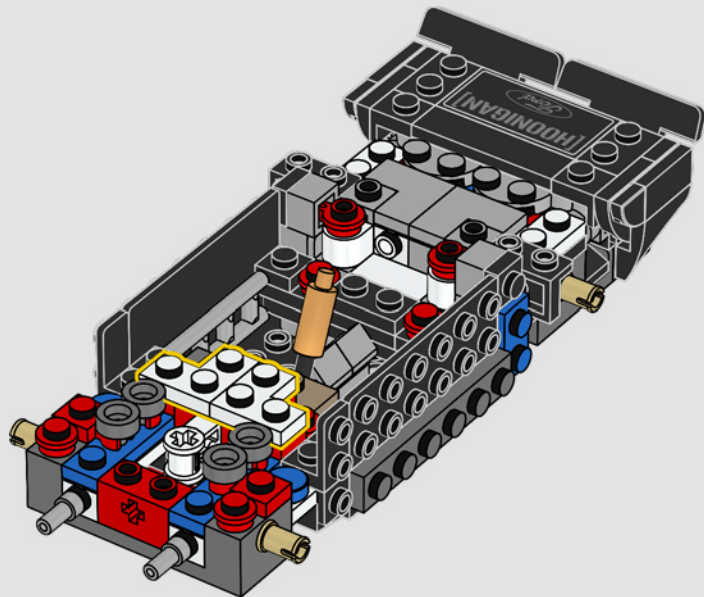
50





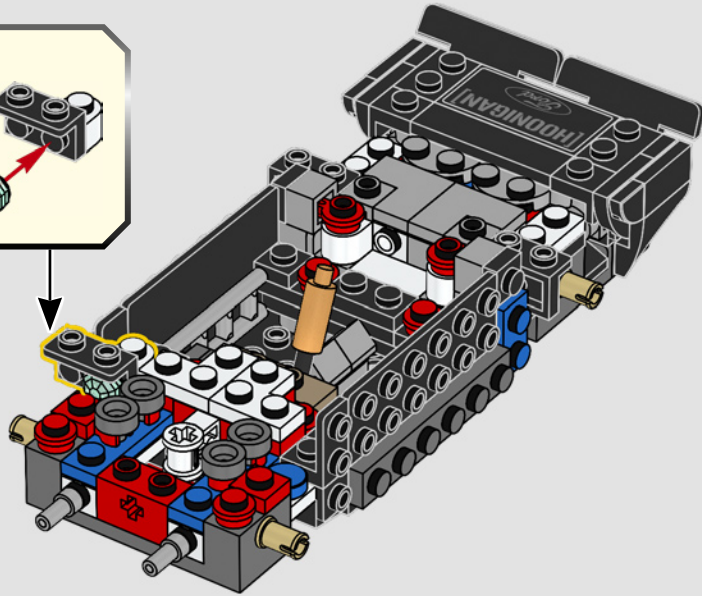
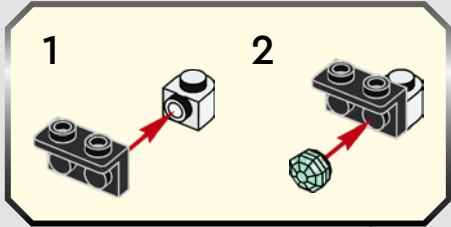
2x

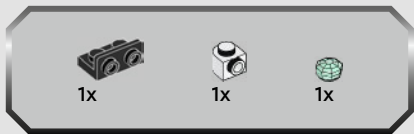
51



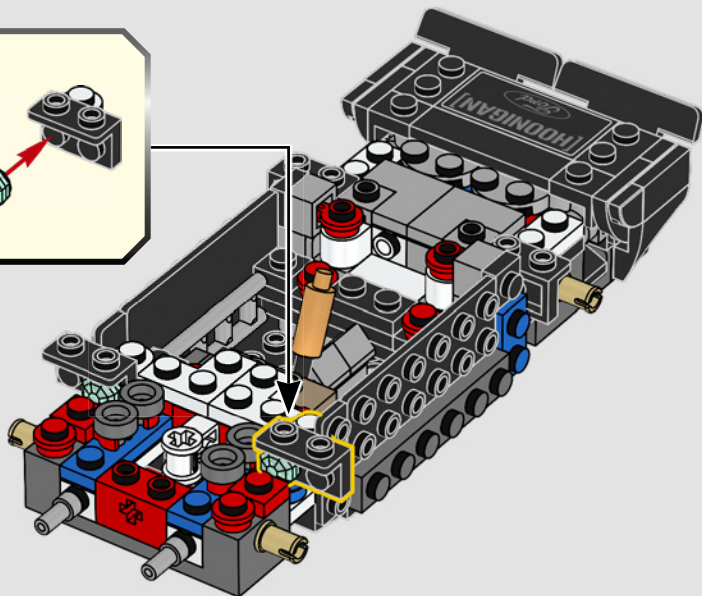
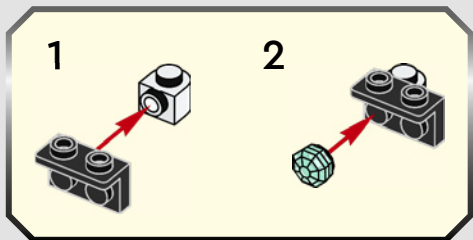


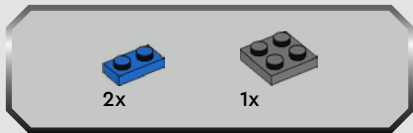
52



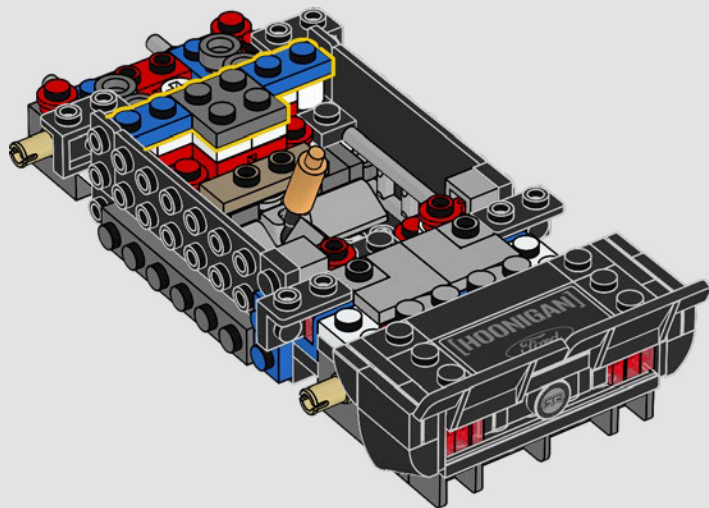


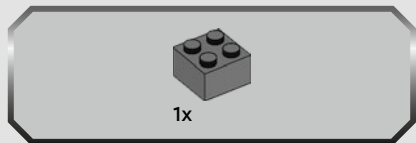
53



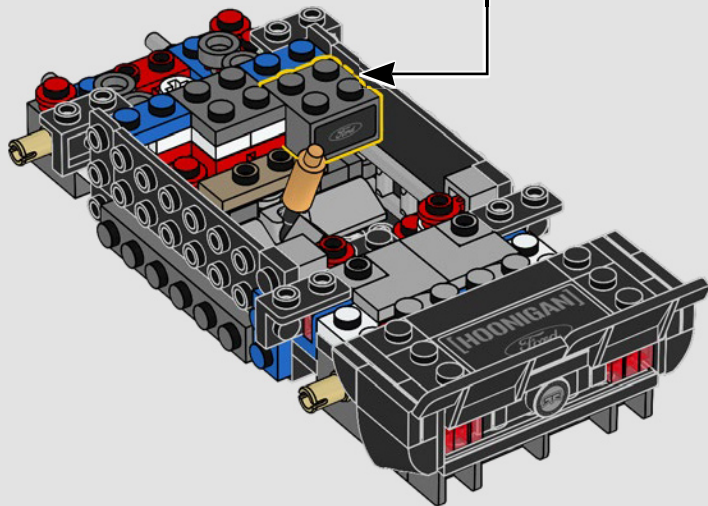
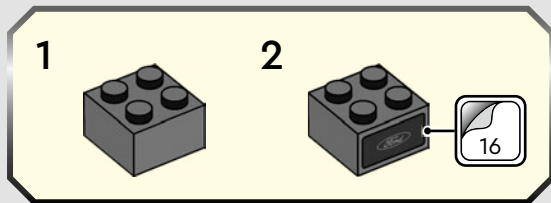


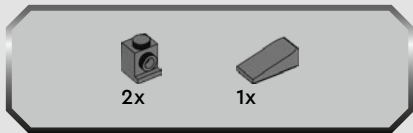
54



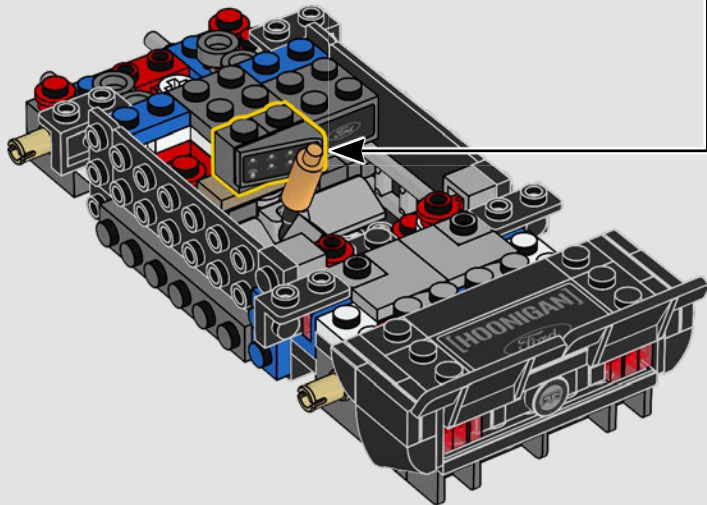
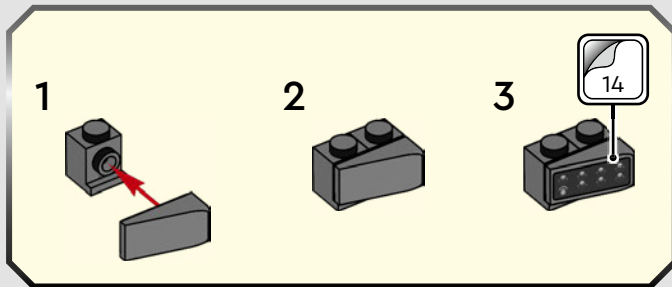


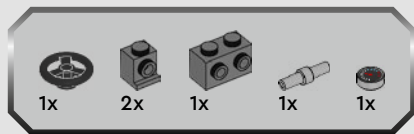
55





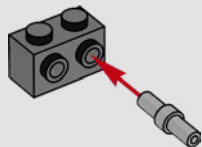
56



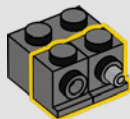


57

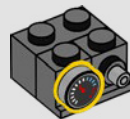
1



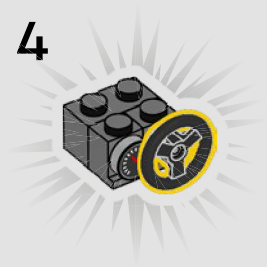
2

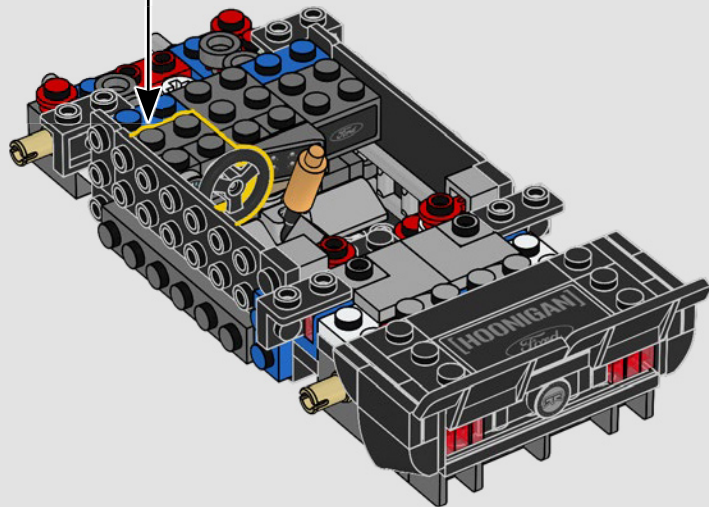


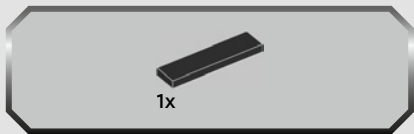
3



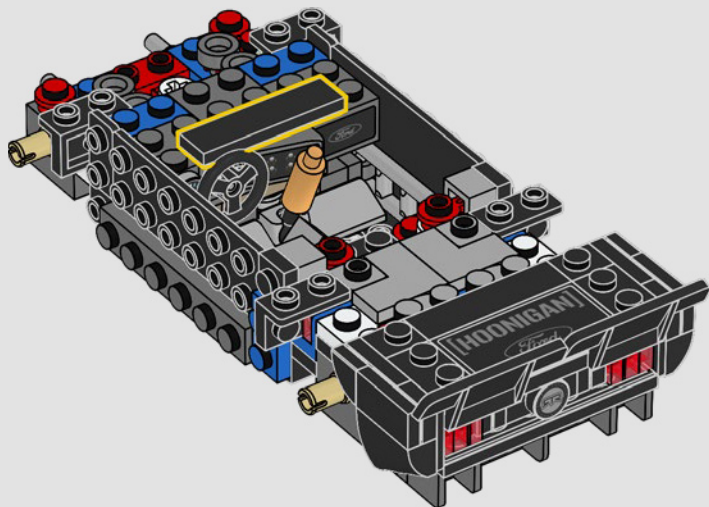
4







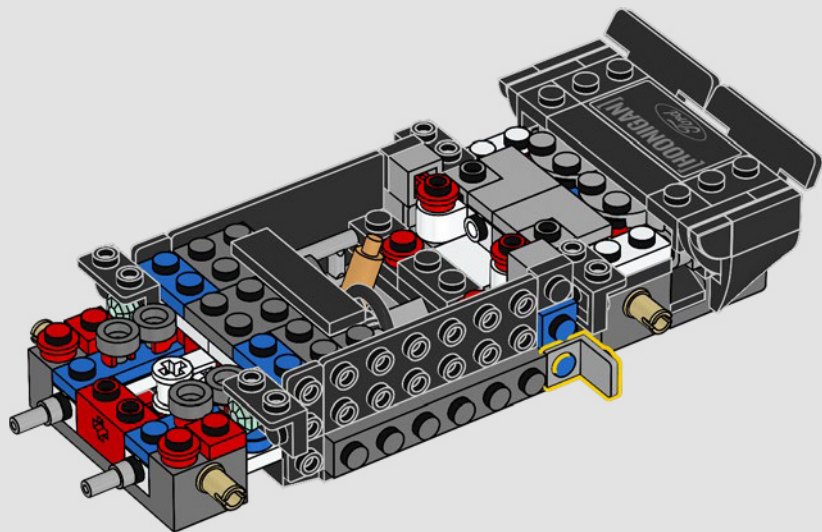
58





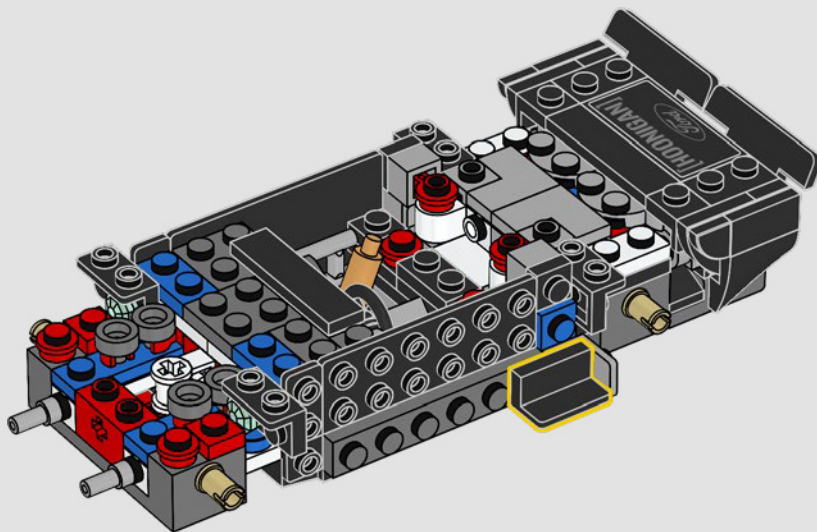
1x

59

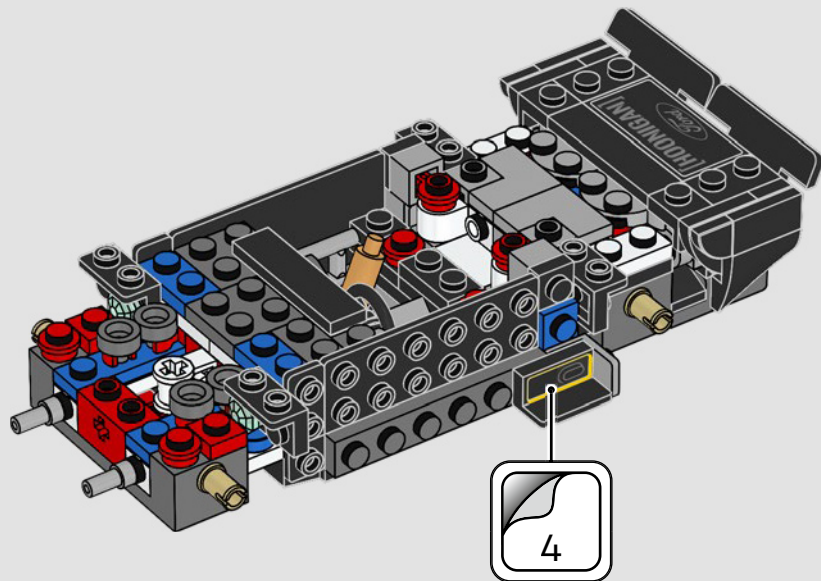


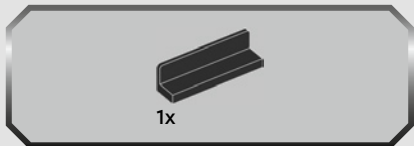


60

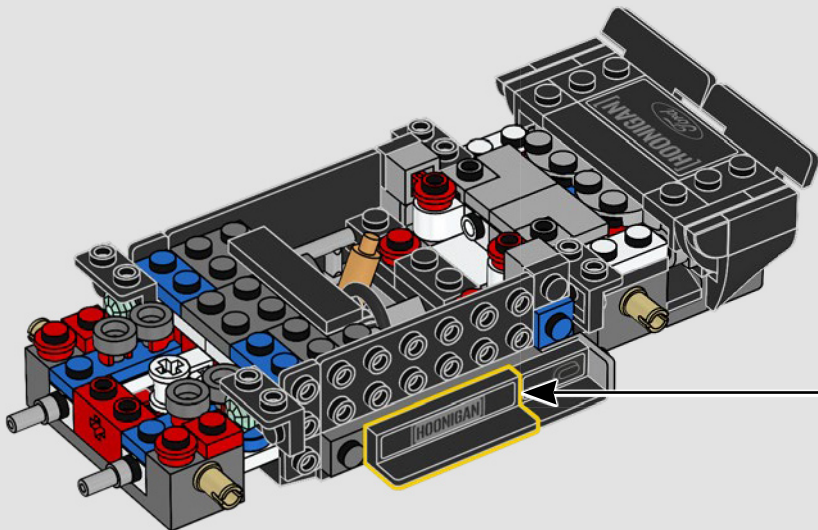
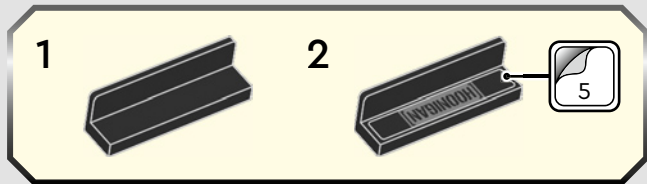


61





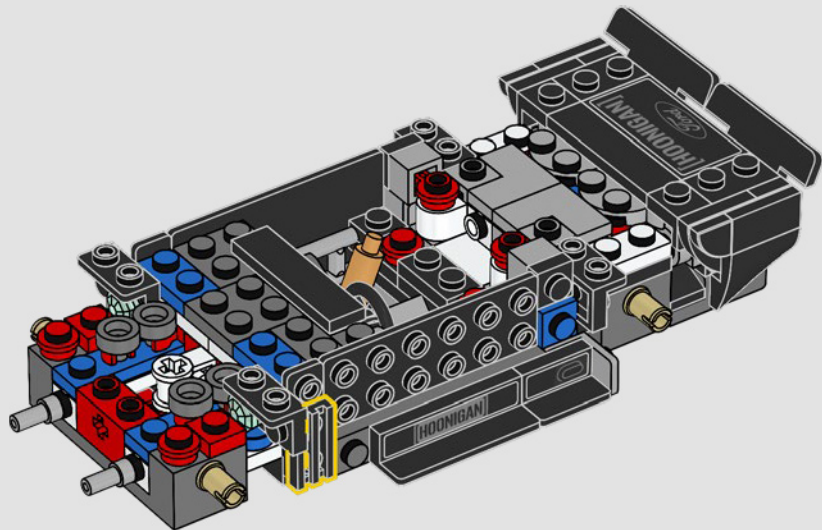
62





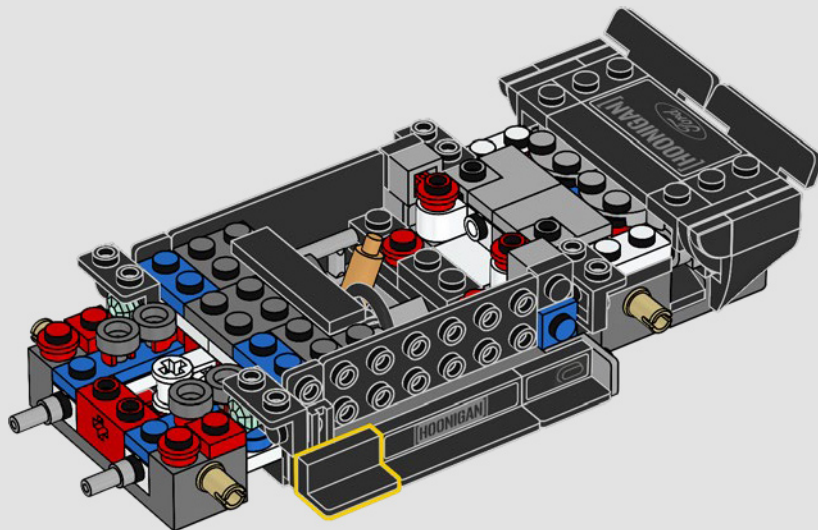
1x

63





64



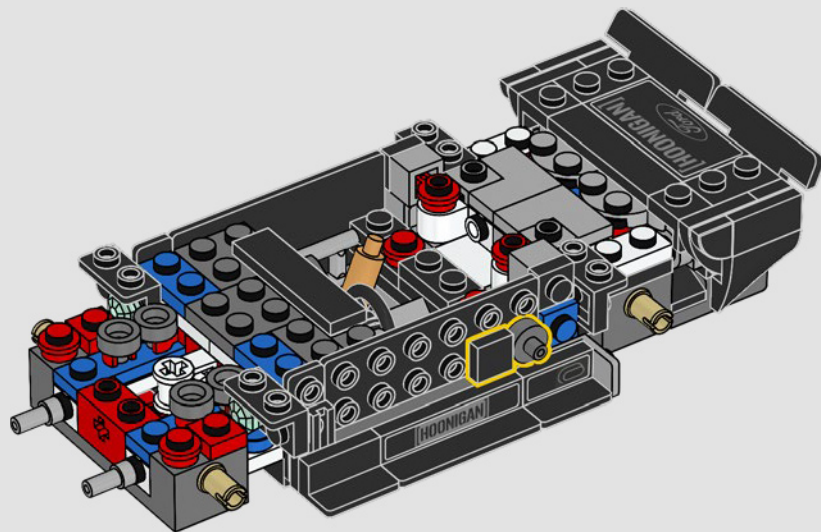


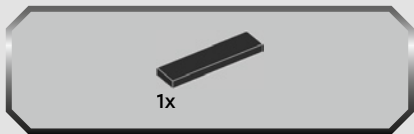
1x



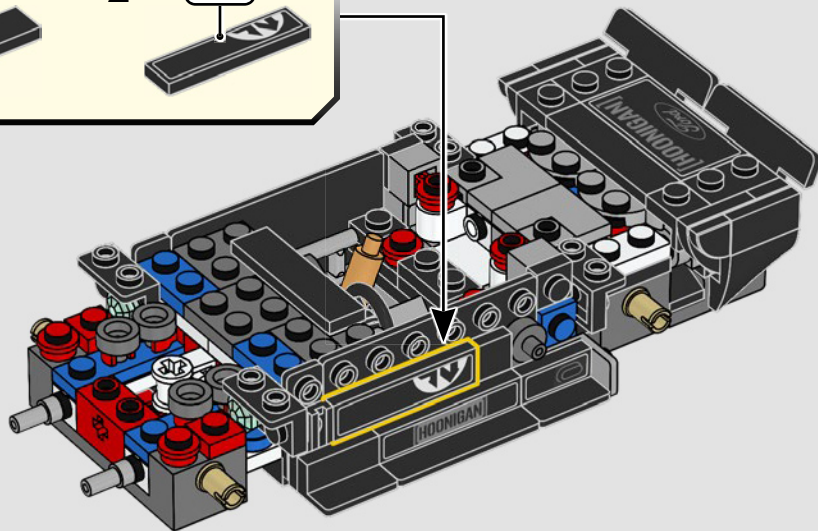
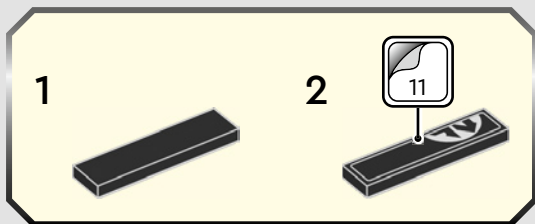
1x

65





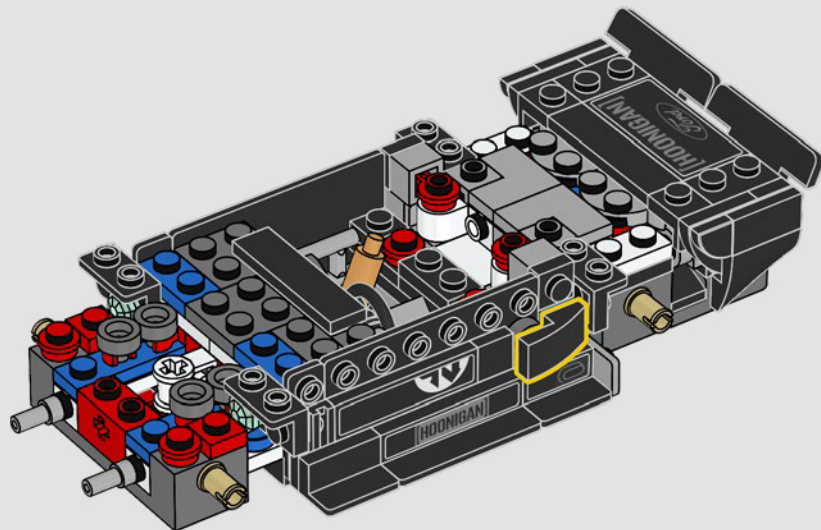
66





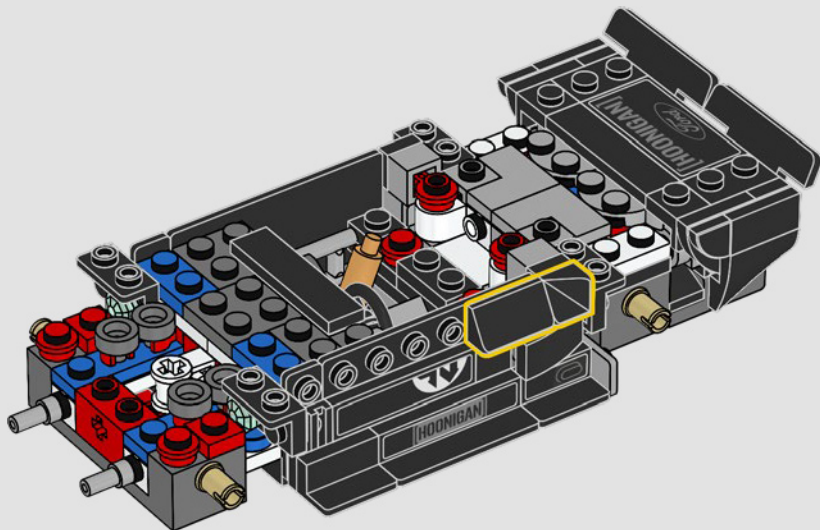
1x

67



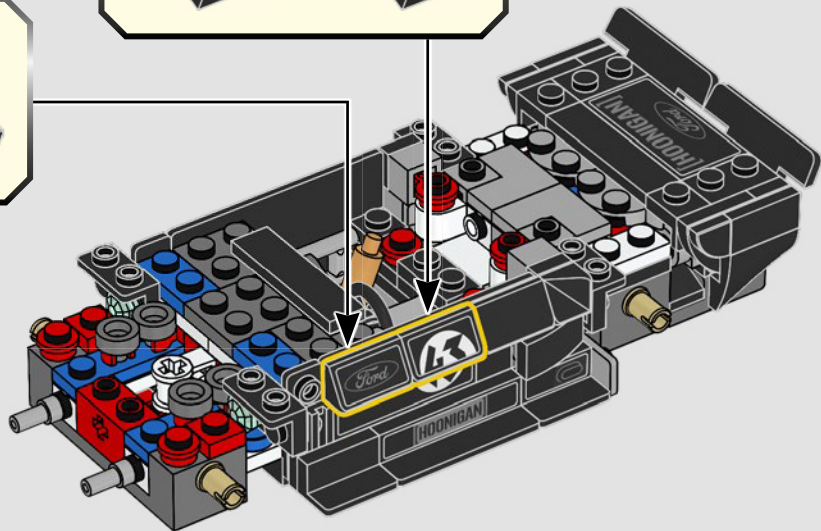
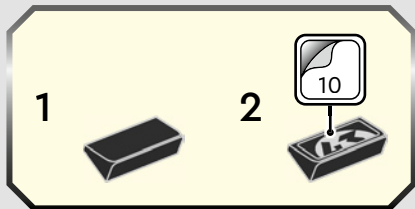
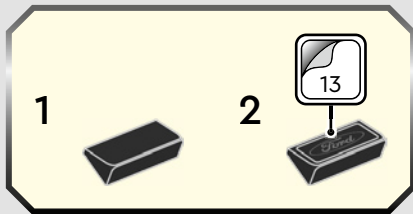


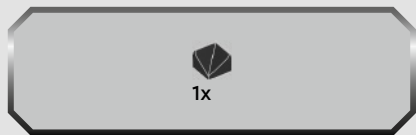
68



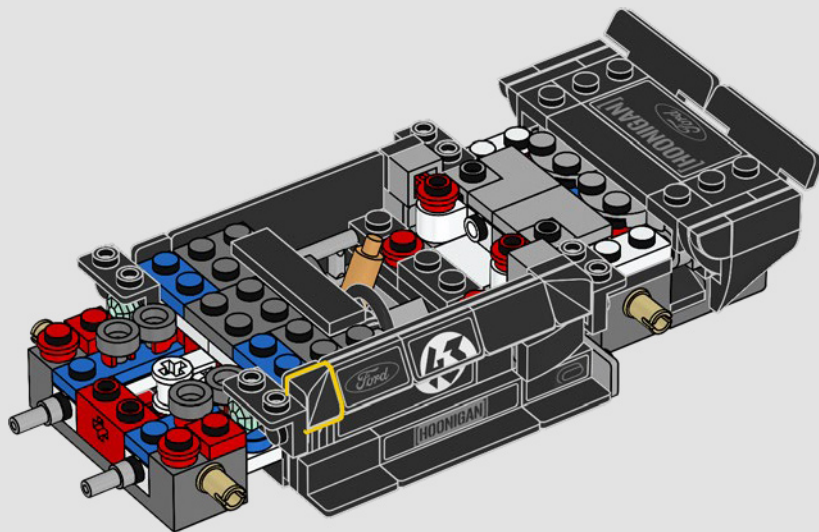


69



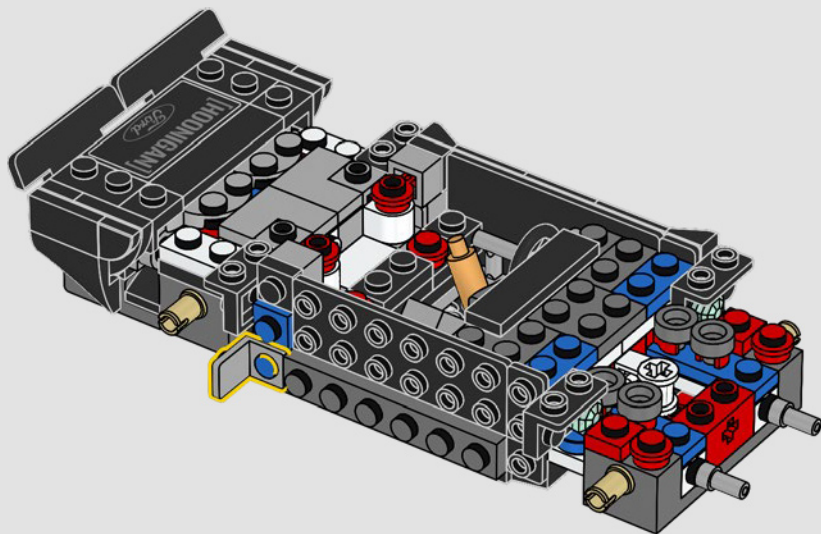


70



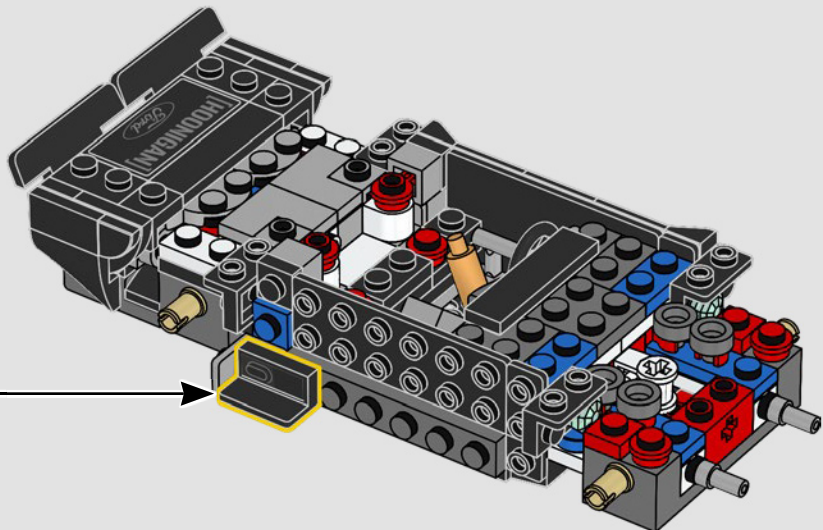
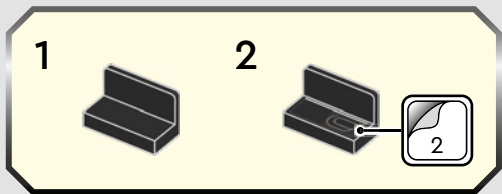


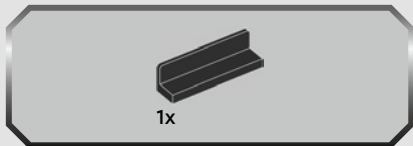
71



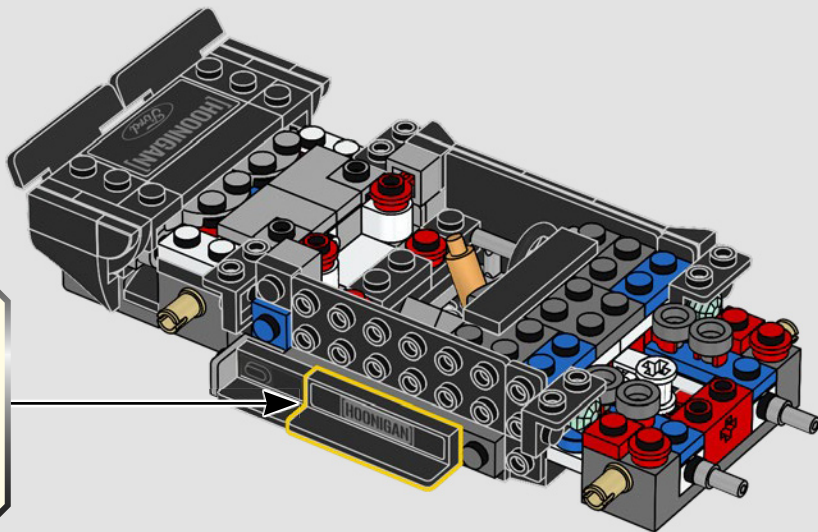
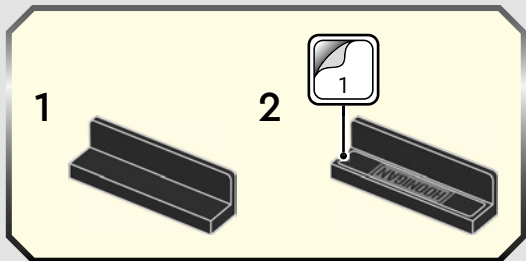


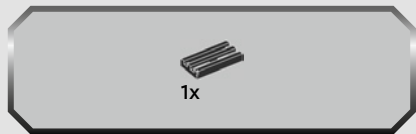
72



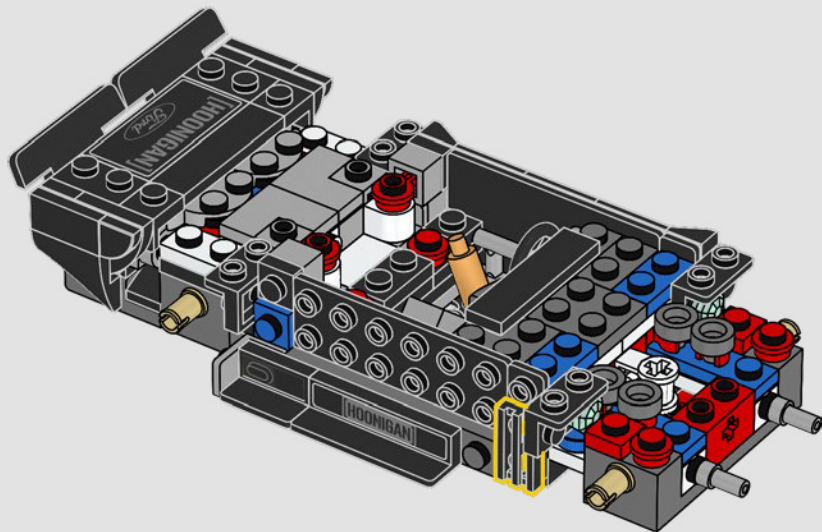


73





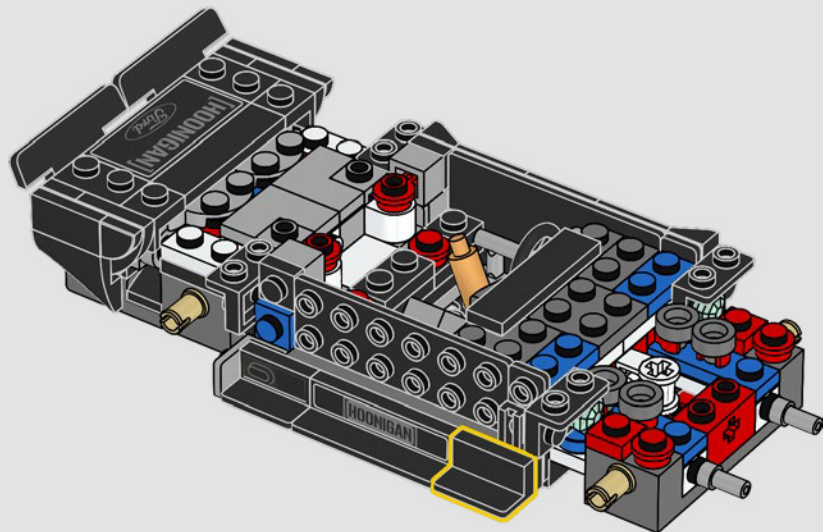
74

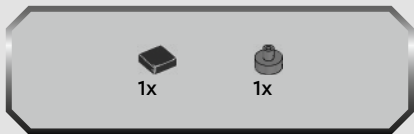




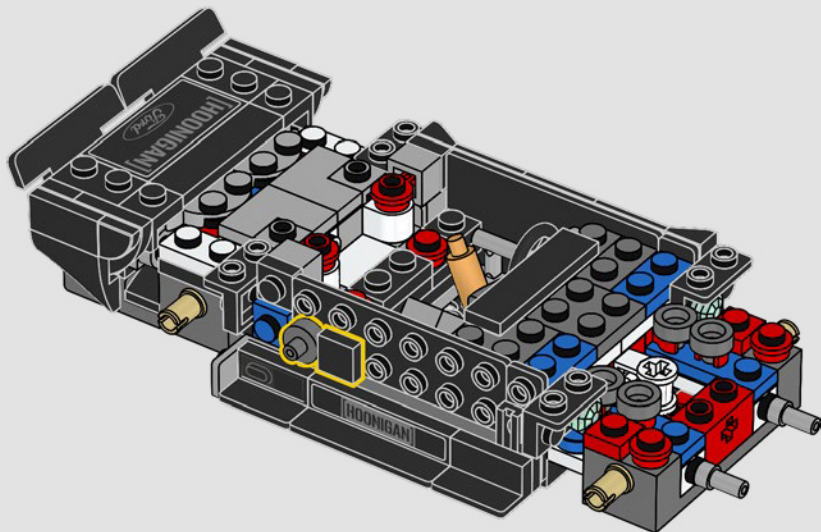
1x

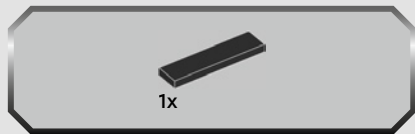
75



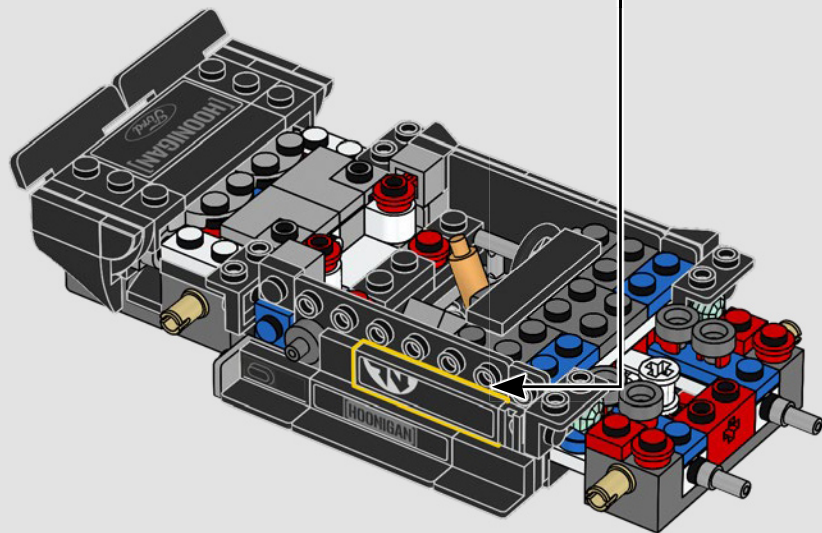
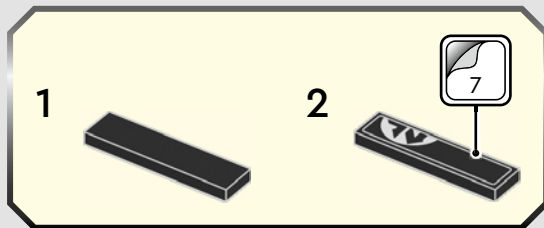


76



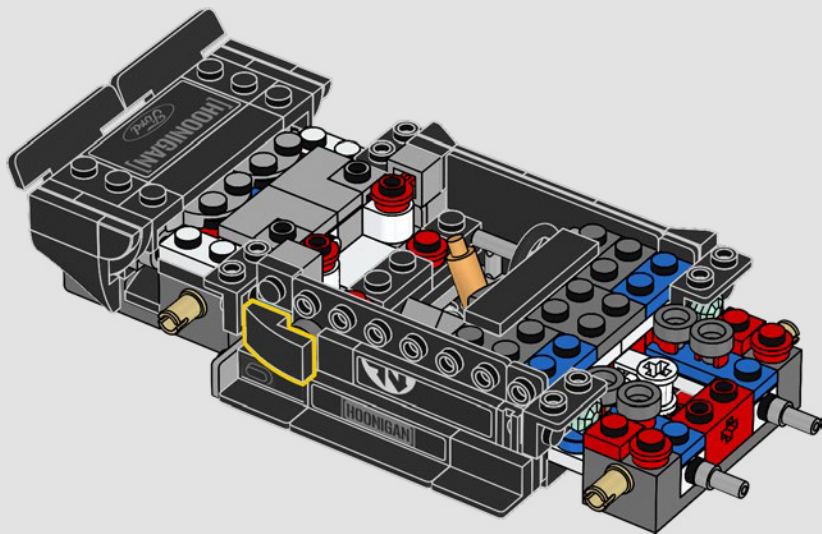


77





78



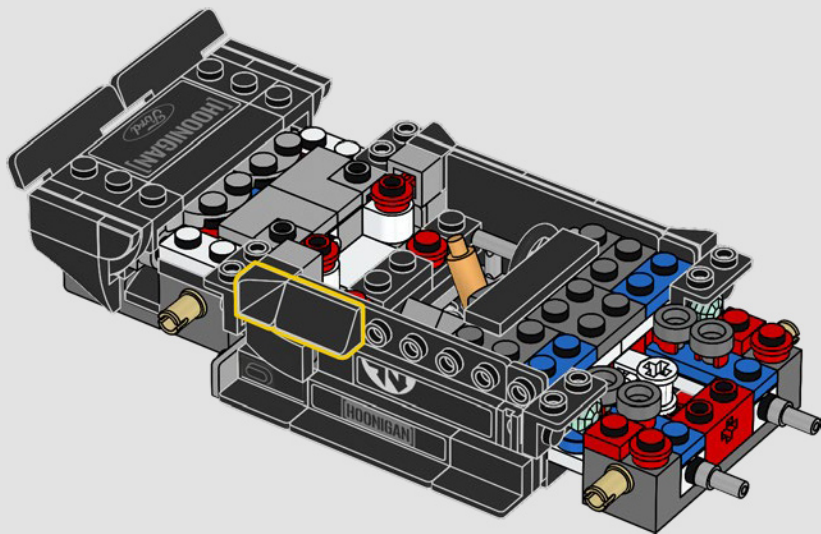


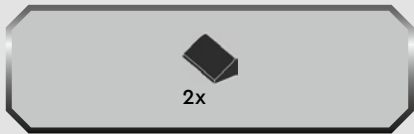
1x



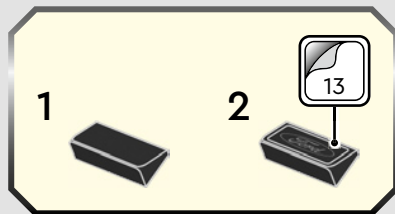
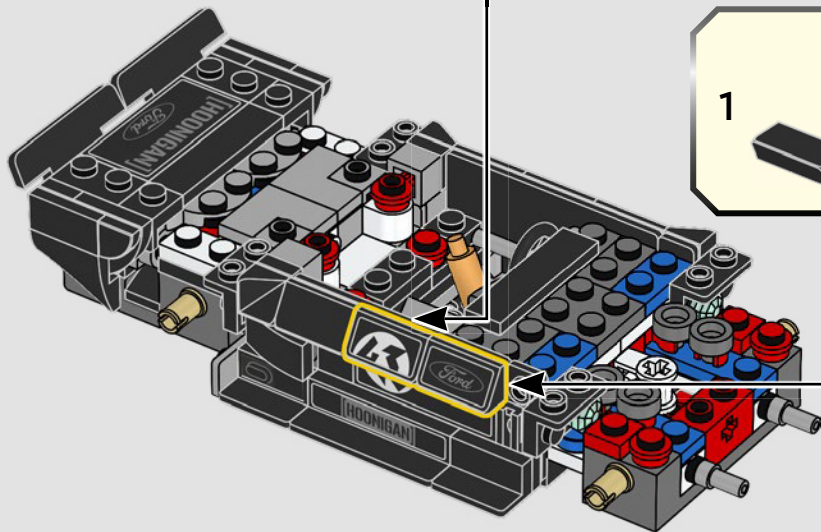
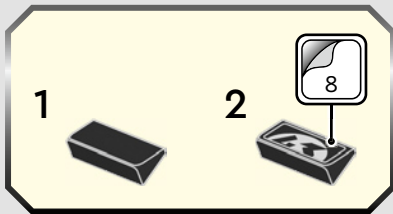
1x

79





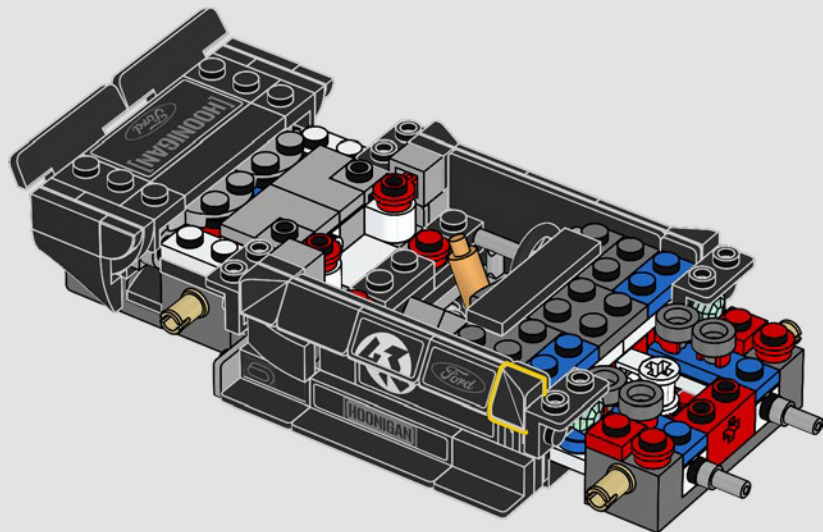
80

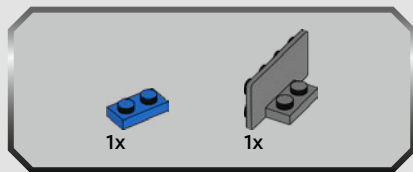
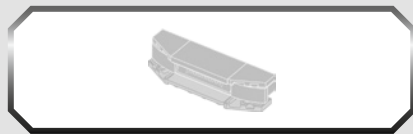




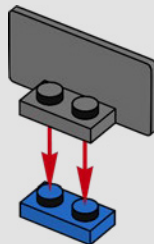
1x

81



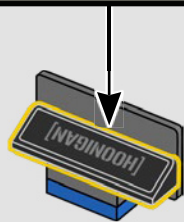
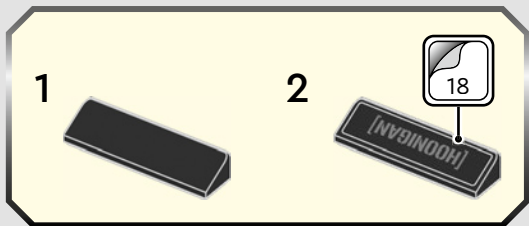


82

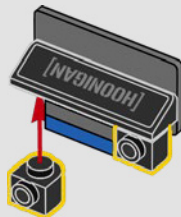




83



84

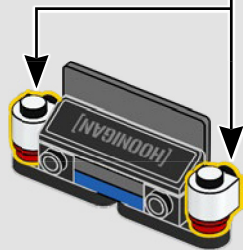
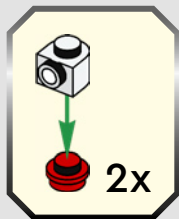


85

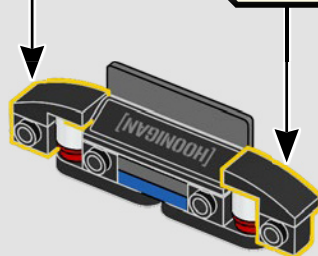
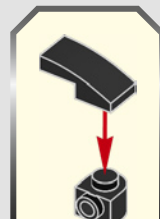
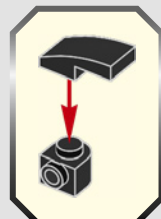


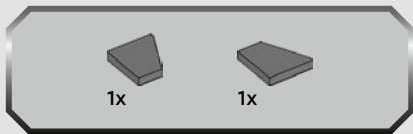


86

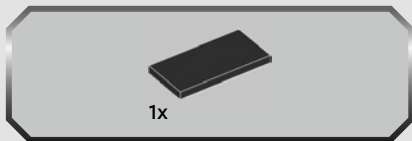
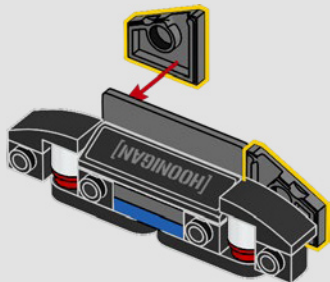


87

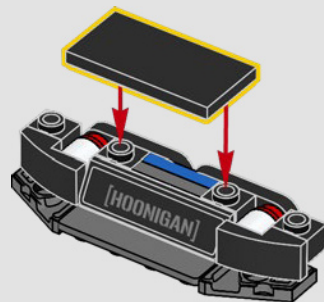


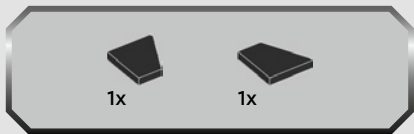


88

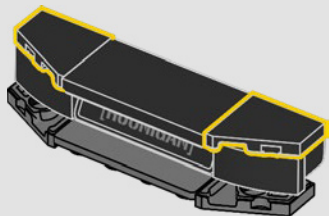


89

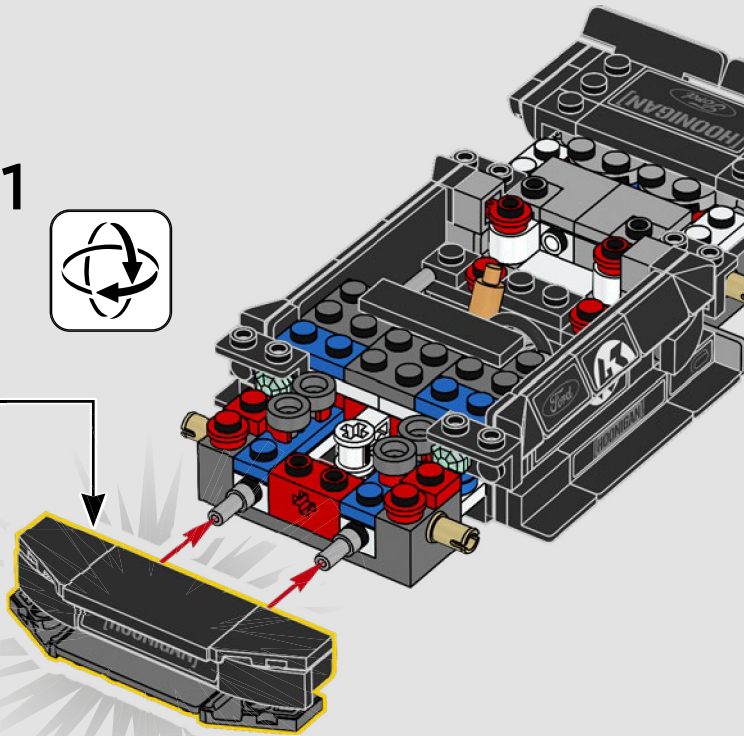
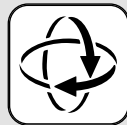




90

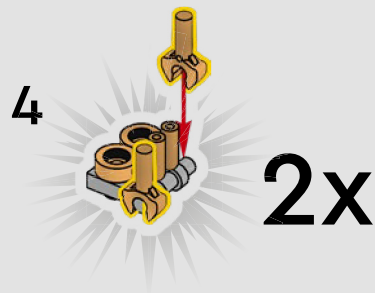
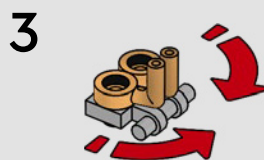
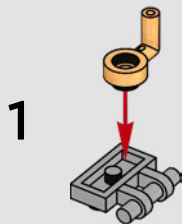


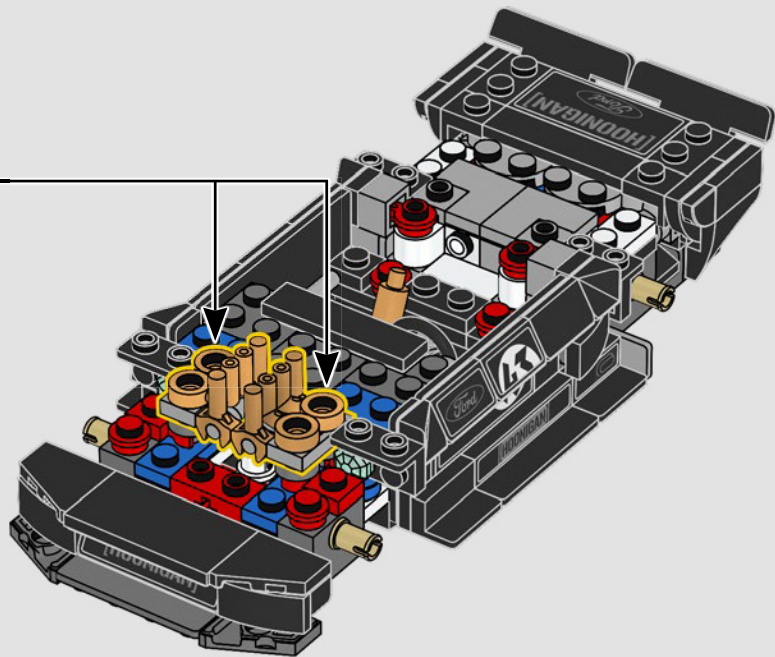
91

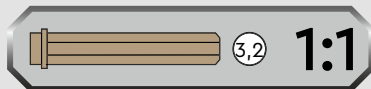
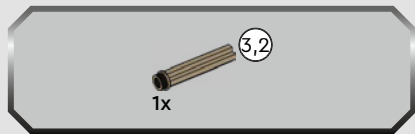




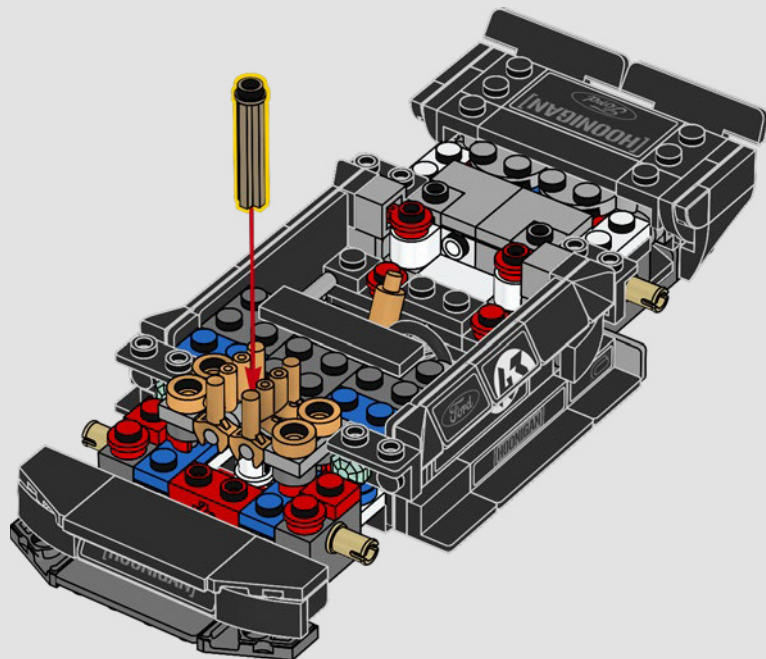
92

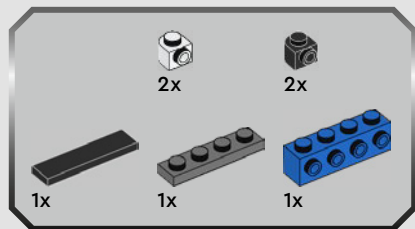




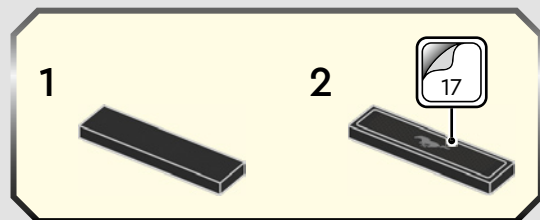


93

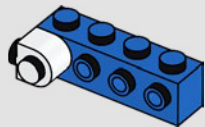




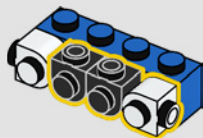
94



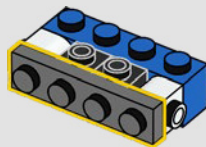
1



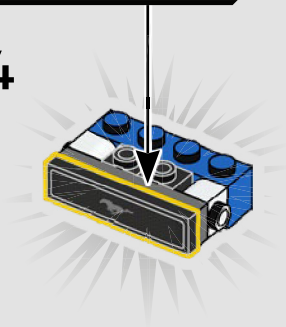
2

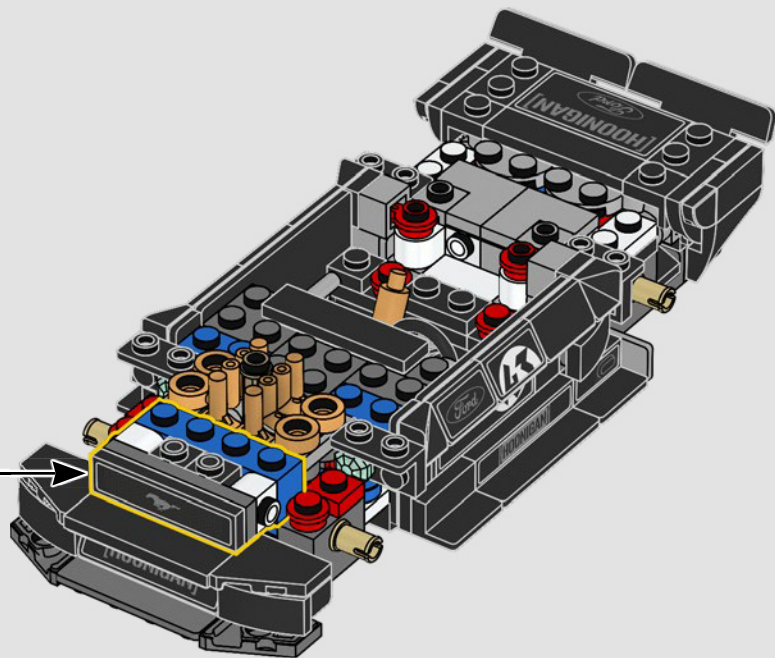


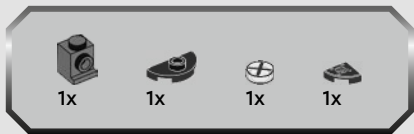
3



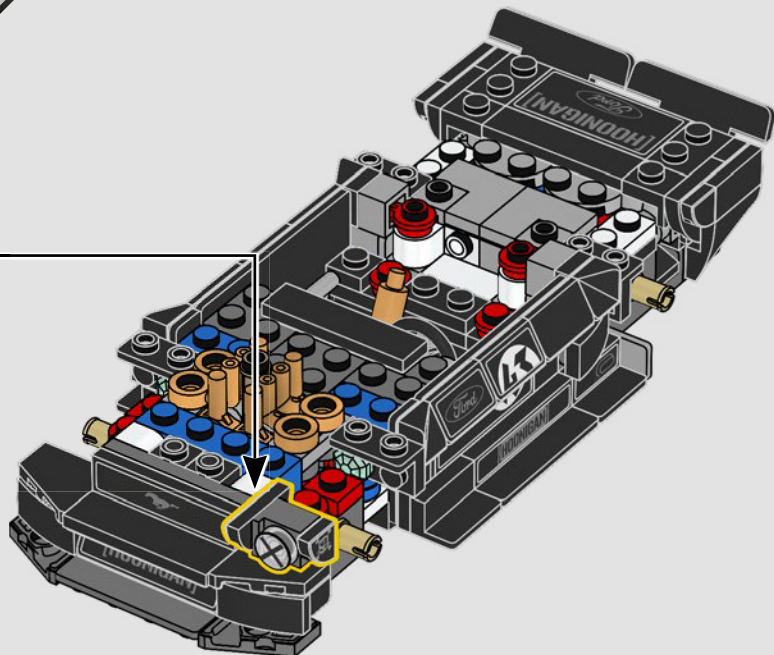
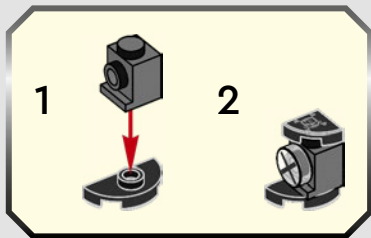
4

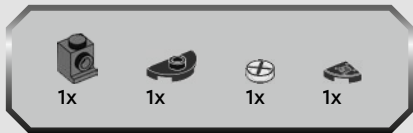




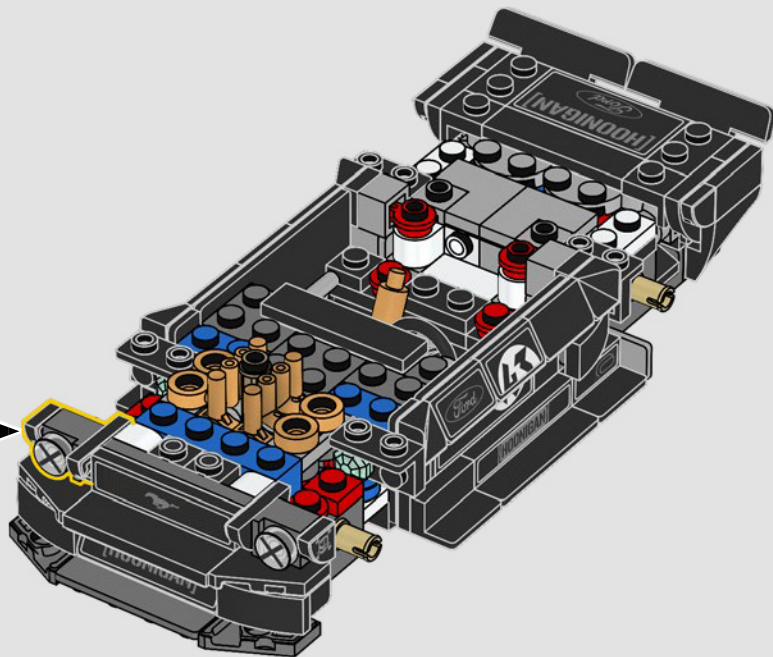
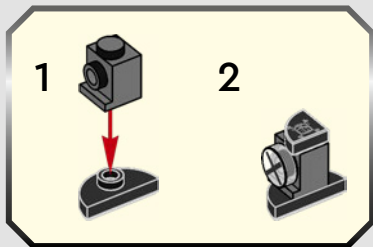


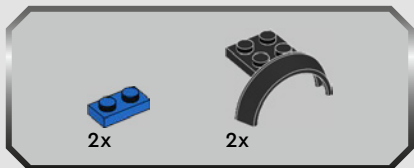
95



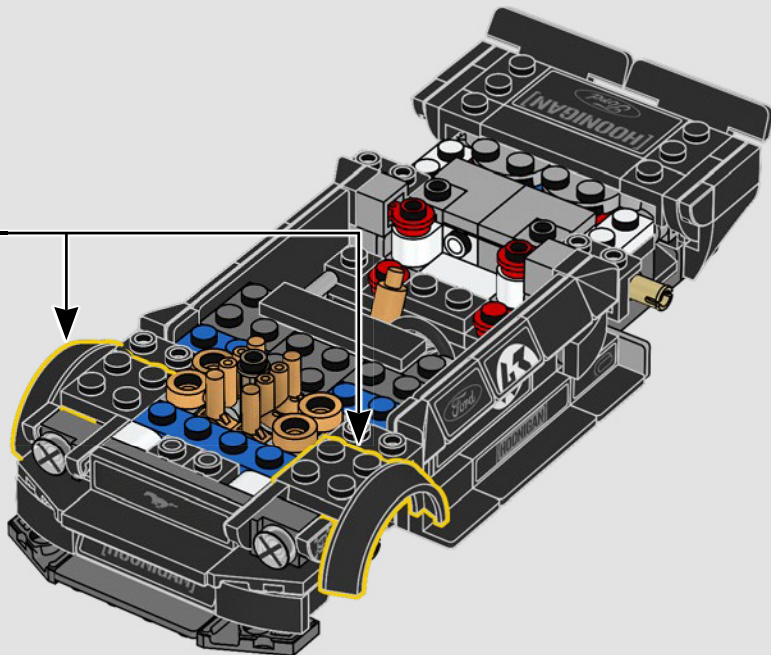
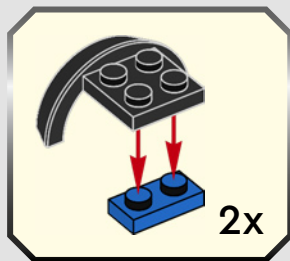


96



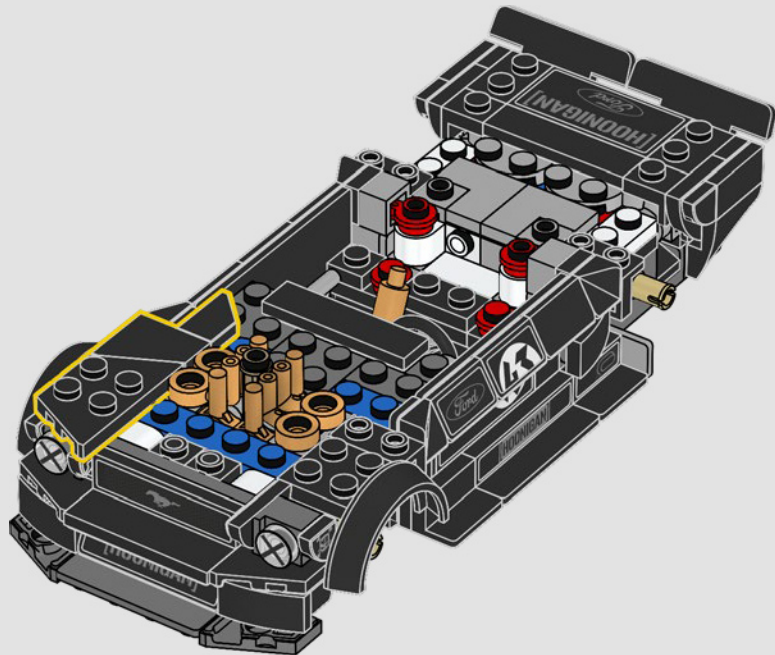


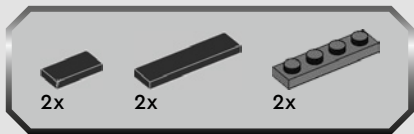
97



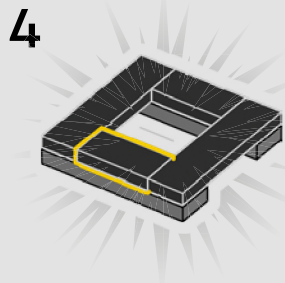
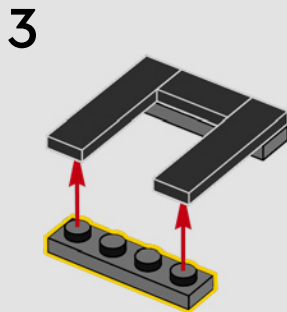
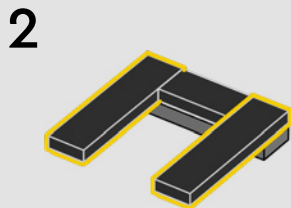
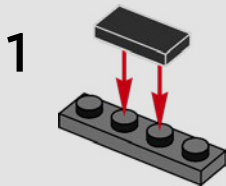


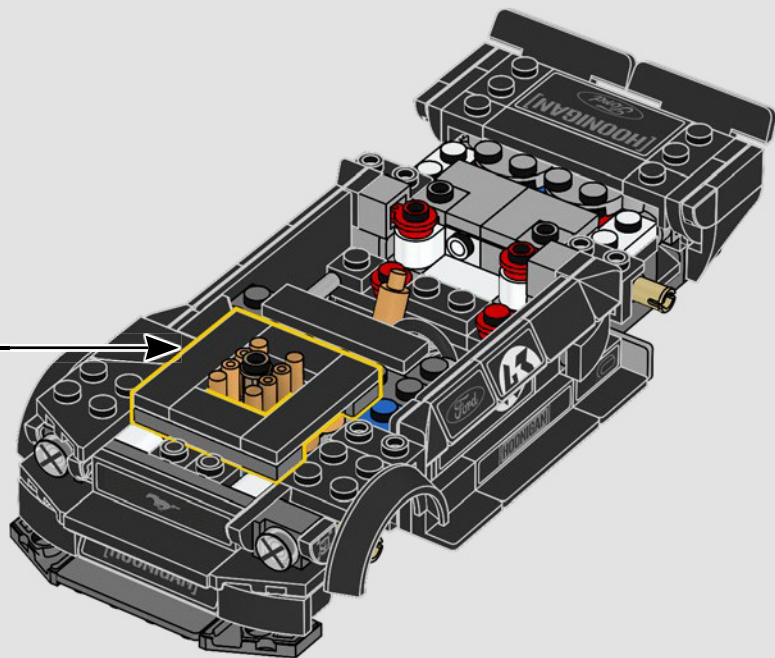
98





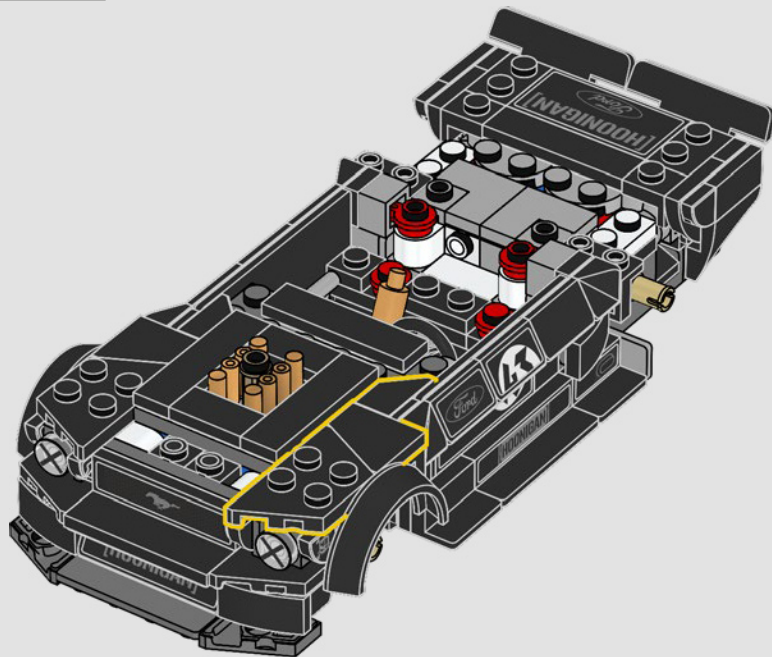
99

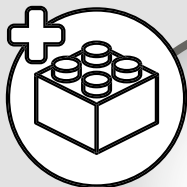






100





1x

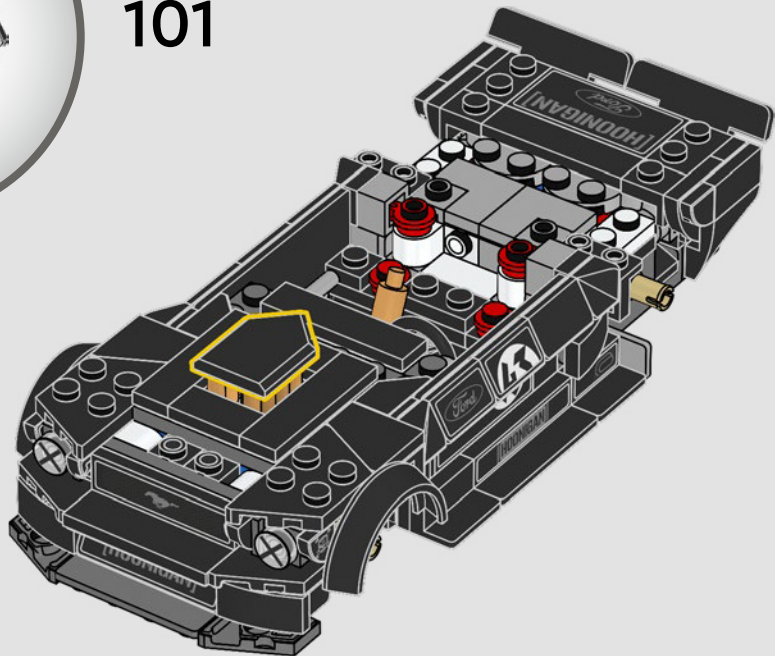


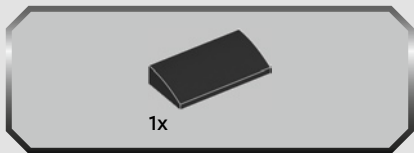
1x

101

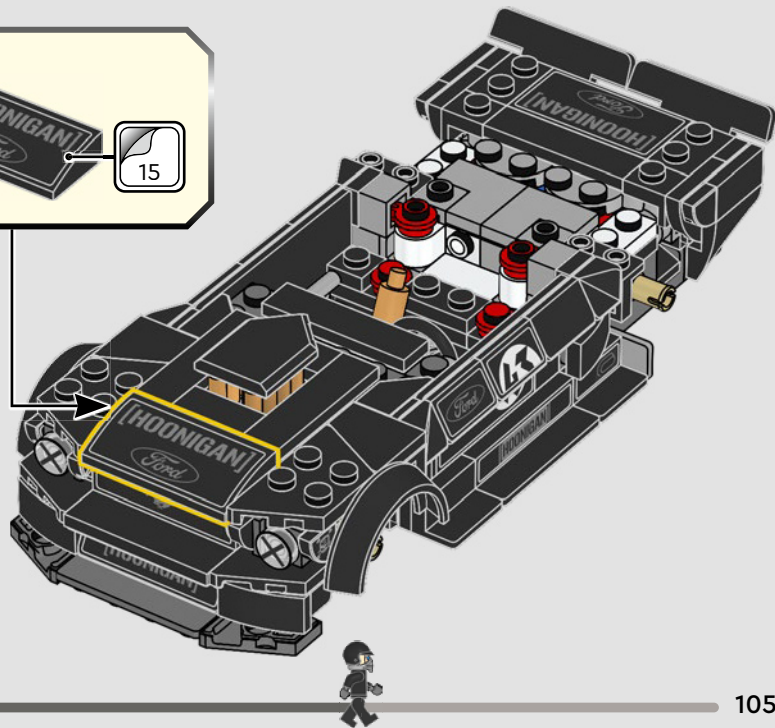
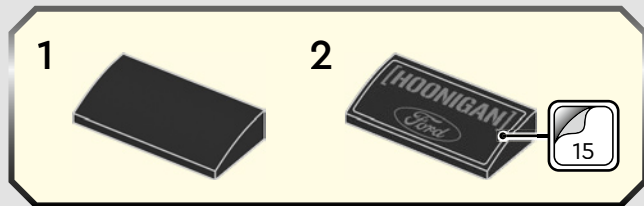


5





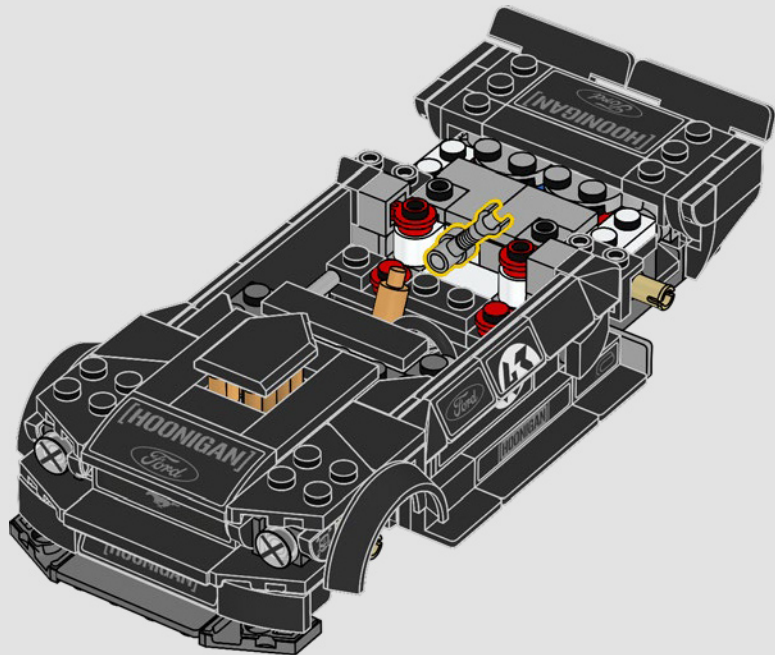
102

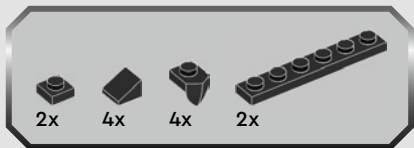




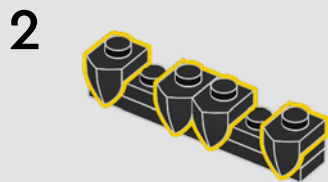
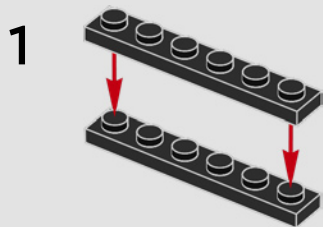
1x

103

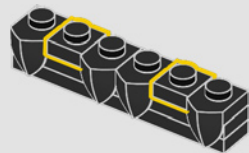




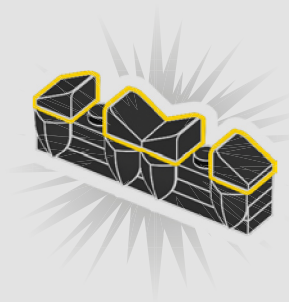
104

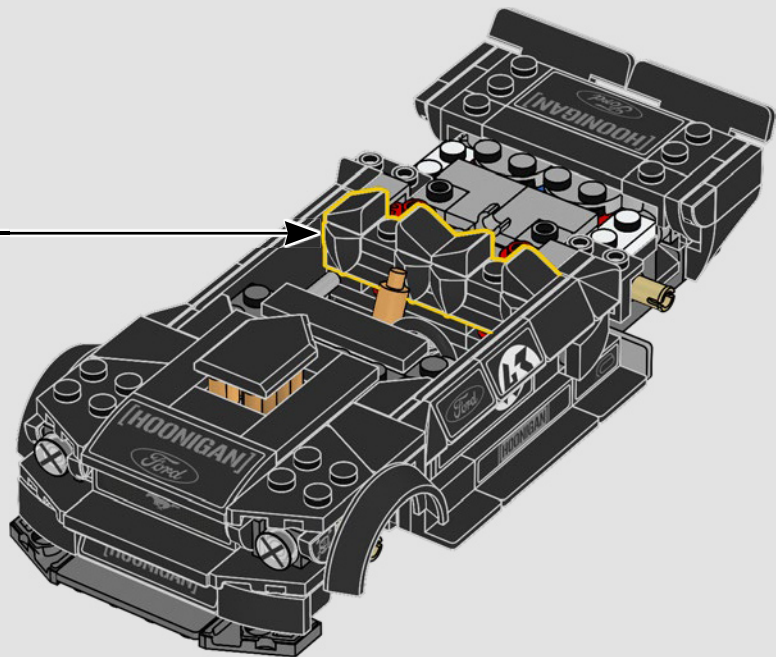


3



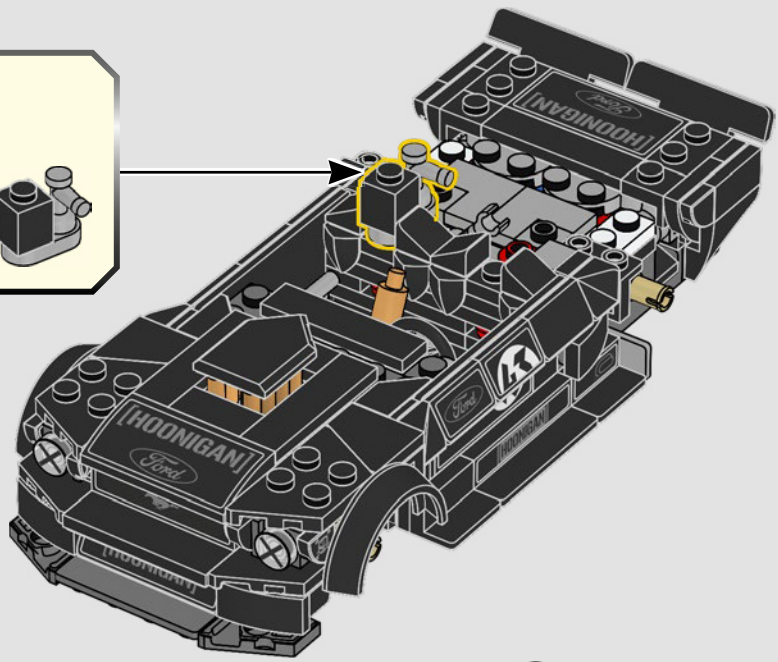
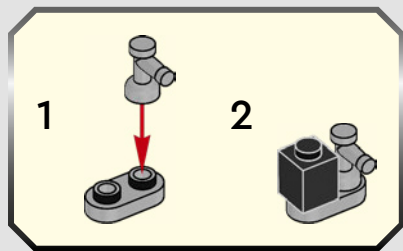
4





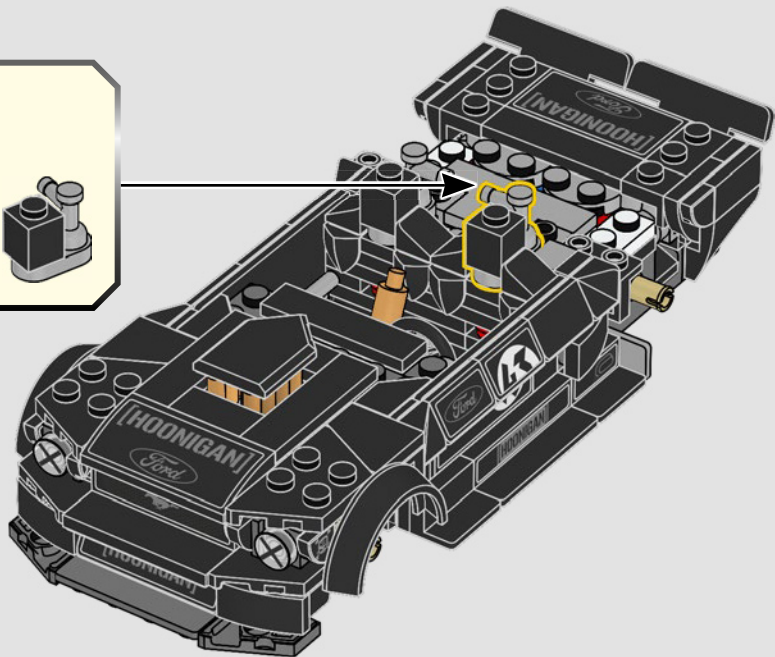
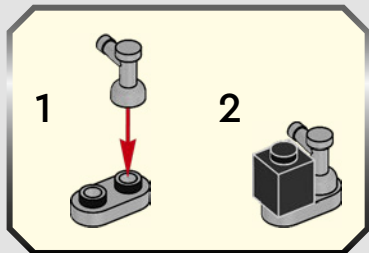


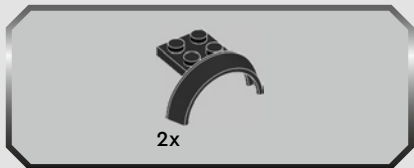
105



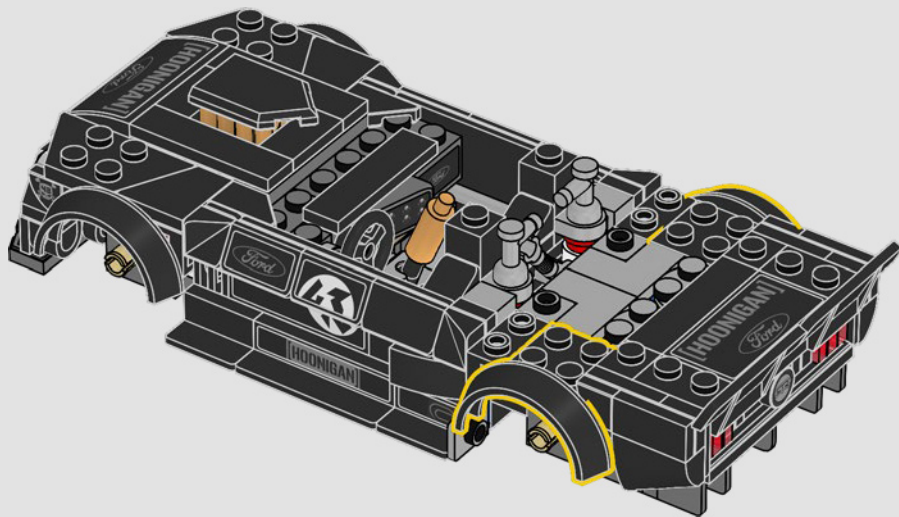


106



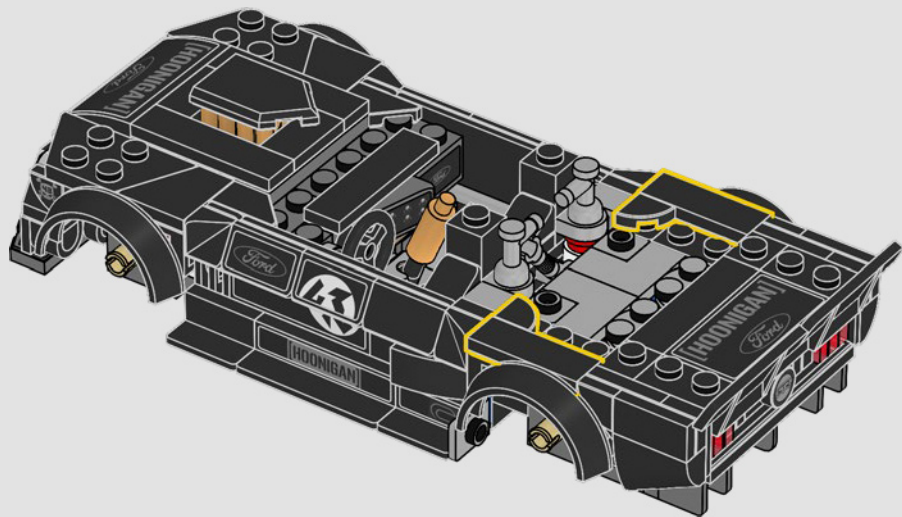


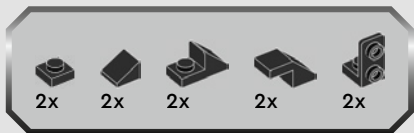
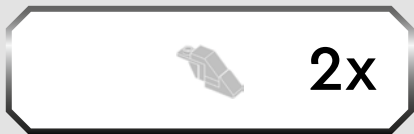
107



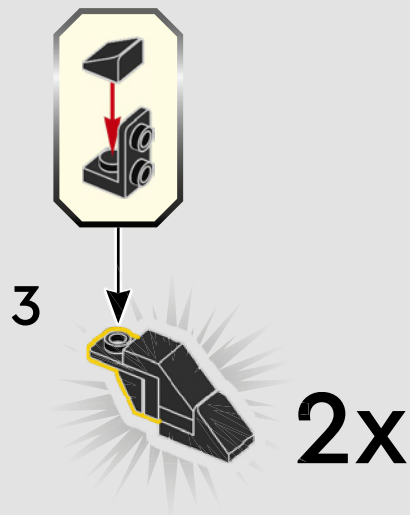
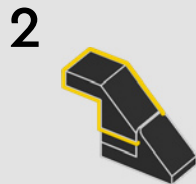
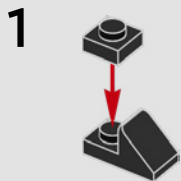


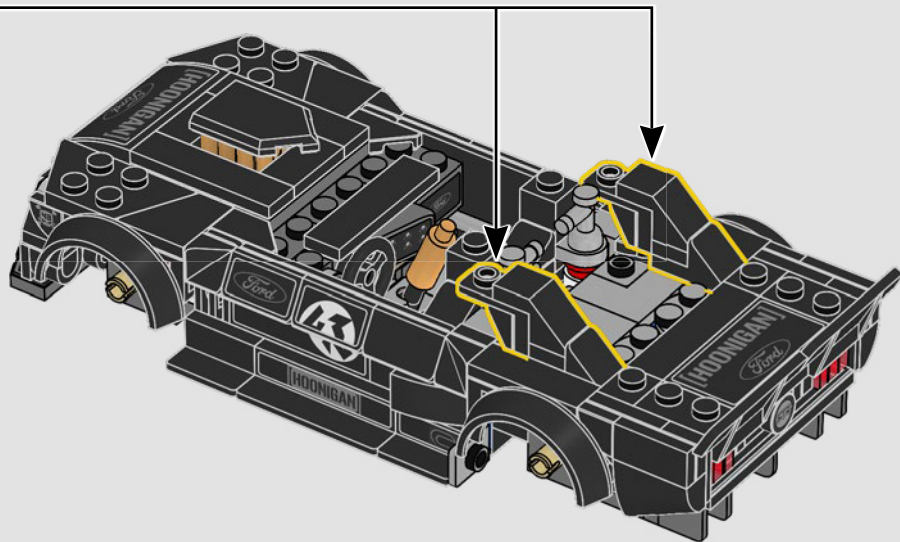
108

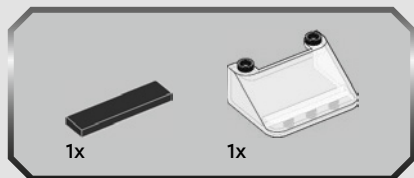




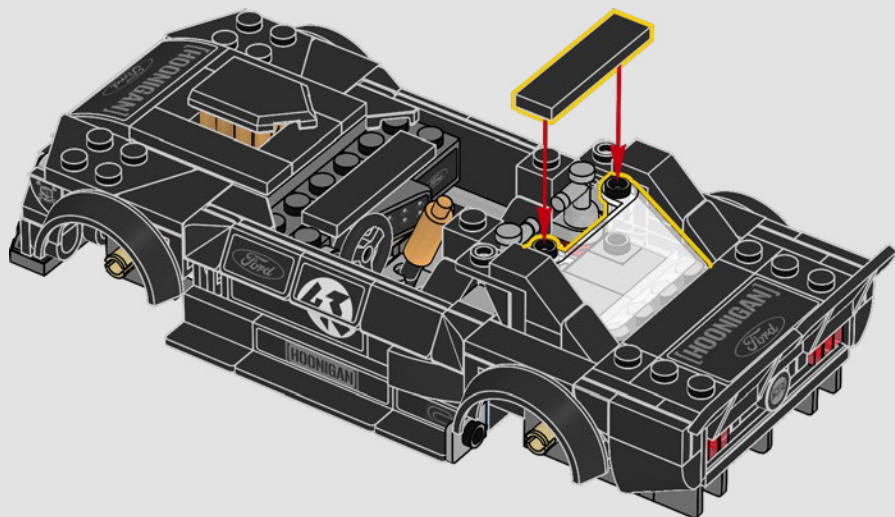
109

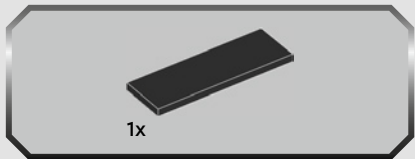




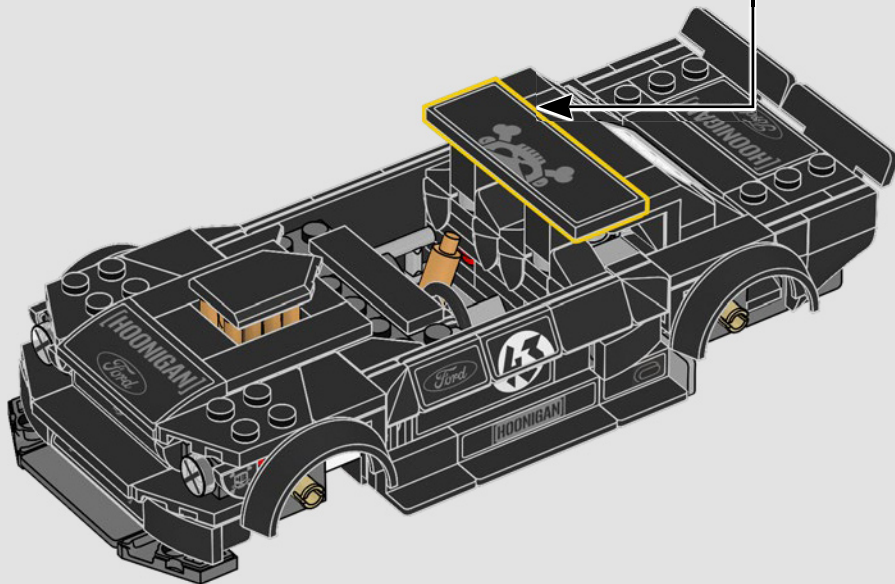
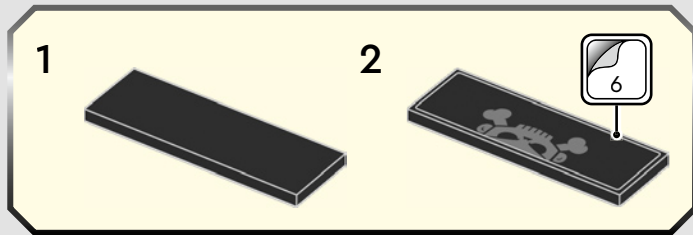


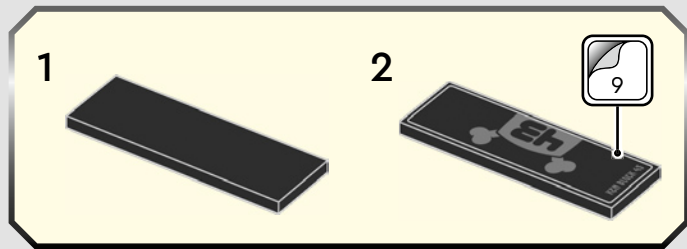
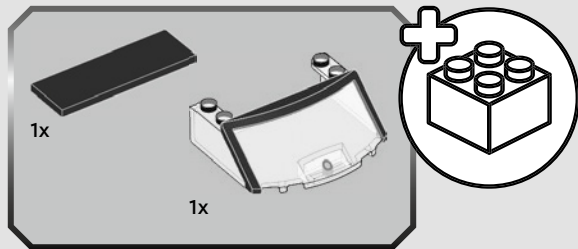
110





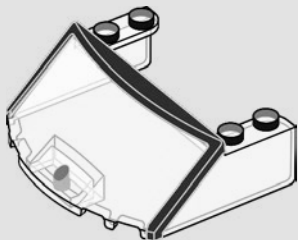
111



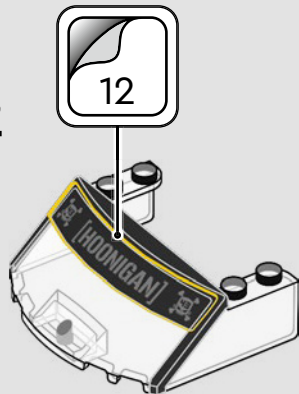


112

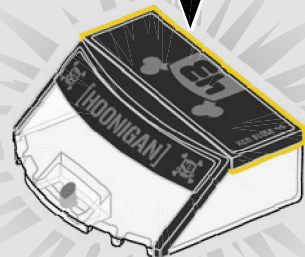
1

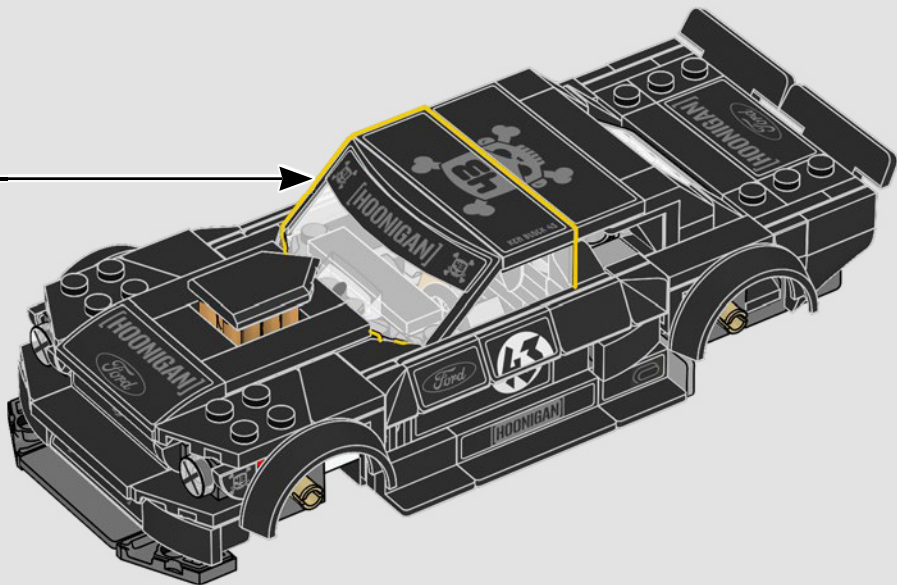


2



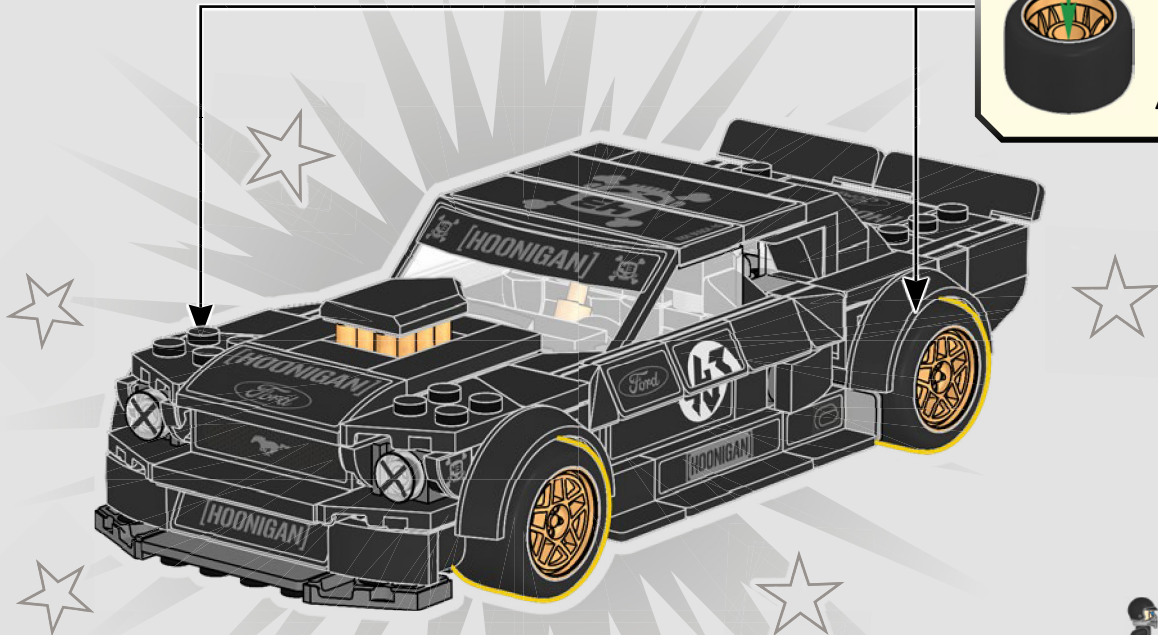
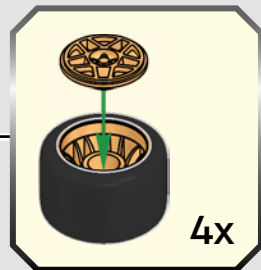
3

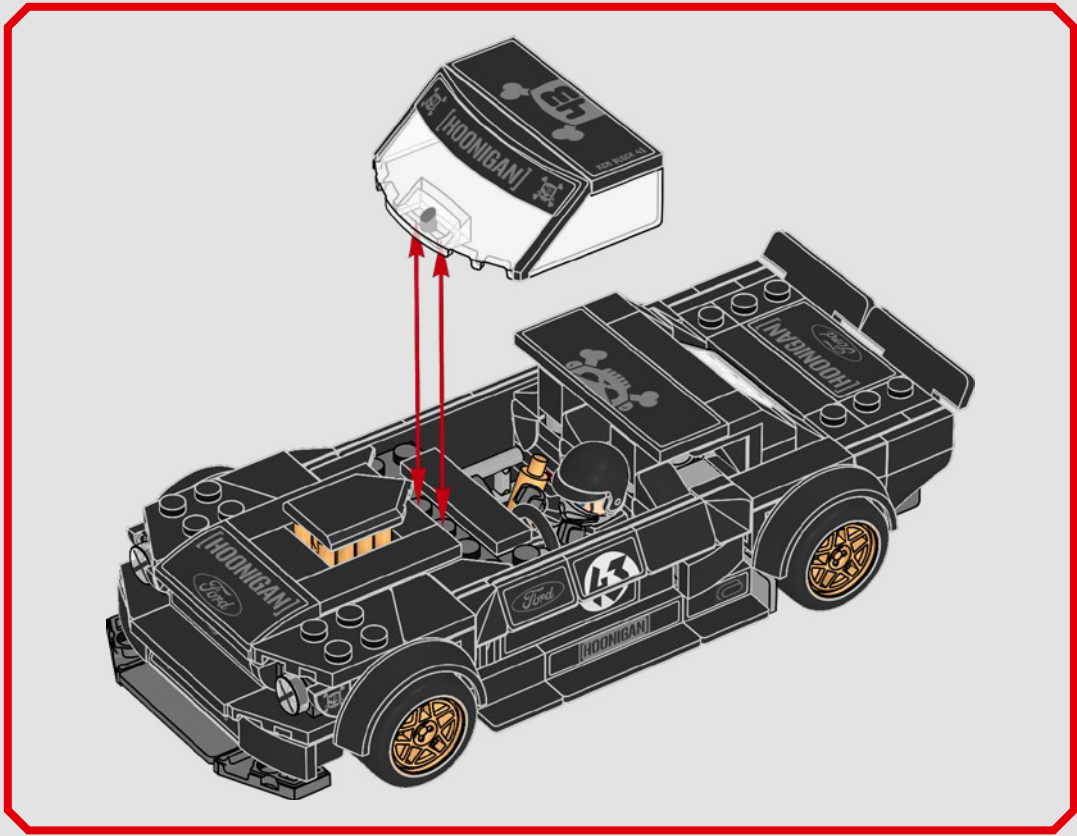






113










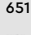


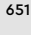



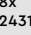
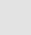
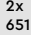
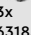
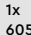




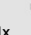

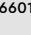
© Universal City Studios LLC. All Rights Reserved.

Designs of Toyota cars and all other associated marks, emblems and designs are intellectual property rights of Toyota Motor Corporation and used with permission.

Produced under license of Ferrari S.p.A. The name FERRARI, the PRANCING HORSE device, all associated logos and distinctive designs, including the design of the Ferrari cars, are property of Ferrari S.p.A.

Manufactured under license from McLaren Automotive Limited. The McLaren name and logo are registered trademarks of McLaren.

The Bugatti logo and Bugatti wordmark are trademarks of Bugatti International S.A. and are used under license.
Vision GT logo is a registered trademark or trademark of Sony Interactive Entertainment Inc.

 13x 6446788	 4x 6337002	 1x 6614287	 4x 6299338	 6x 4548180	 4x 6146220	 2x 6218700	 2x 4560182
 1x 306901	 3x 6196217	 6x 6424674	 4x 6335317	 2x 6593854	 2x 6267487	 2x 4531412	 1x 4587844
 8x 242001	 3x 6092565	 6x 4504382	 1x 6510139	 2x 6610143	 1x 6092585	 4x 4531412	 2x 366626
 1x 6420462	 1x 302121	 4x 6610145	 1x 6510125	 1x 6507846	 2x 6117973	 4x 6493691	 2x 6458186
 1x 302001	 4x 6284575	 4x 6172383	 1x 6509664	 1x 9339	 4x 6020193	 2x 6092570	 2x 6458186
 1x 6350399	 11x 302323	 2x 307026	 1x 6609620	 1x 302326	 4x 6428168	 8x 243126	 1x 379526
 4x 4666579	 2x 6146218	 10x 302426	 1x 6614285	 2x 241226	 2x 6597247	 1x 6245251	 3x 6318582
 10x 614121	 2x 6146218	 1x 6614288	 1x 6614285	 2x 241226	 1x 6245251	 8x 243126	 3x 6318582
 2x 407021	 1x 302223	 1x 6614289	 2x 6510061	 6x 306926	 2x 4558170	 4x 6581355	 1x 6601521
 4x 6384112	 2x 6292291	 1x 6614289	 1x 6057397	 2x 6069000	 2x 4558170	 4x 6581355	 1x 6601521
 1x 4212411	 1x 4212411	 2x 300526	 1x 6057397	 6x 6047276	 1x 6617074	 1x 6601521	 1x 6605193
 1x 66173959	 4x 6173959	 4x 6173959	 1x 6513908	 1x 6513908	 1x 6513908	 1x 6513908	 1x 6513908



2x
6614286



1x
6507933



1x
6591537



2x
6513963



2x
6514003



4x
6514220



1x
6031821



1x
6449594



1x
6329581



2x
6168647



2x
4211503



1x
6610144



5x
6401023



2x
6413995



6x
6335328



3x
6436419



7x
6248890



2x
4568637



1x
4211644



2x
4211632



2x
6253436



2x
6065824



1x
6043639



2x
6550549



2x
6609220



1x
6353192



6x
6271752



4x
6025235



8x
4211044



2x
6388133



2x
6344022



1x
6610147



1x
6605242



1x
6533800



1x
6230233



3x
6000606



1x
6610146



1x
6610155



1x
4211094



1x
4211060



3x
4211001



3x
4211056



2x
6454959



1x
6614284



1x
6614283



4x
6453281



4x
6616653



4x
6591210



1x
6290401



2x
6514350



4x
6604942



1x
6167576

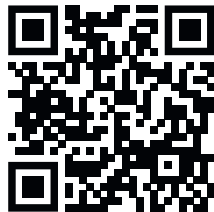


4x
6591210



 [LEGO.com/service](https://www.LEGO.com/service)

YOU COULD
WIN



Scan this QR code or go to
LEGO.COM/PRODUCTFEEDBACK and give us
your short feedback about this LEGO® set
for a chance to win a cool LEGO prize.

Terms and Conditions apply*

EN: YOU COULD WIN. Terms and Conditions apply* **DE: Du könntest GEWINNEN.** Es gelten die Teilnahmebedingungen* **FR: TU POURRAIS GAGNER.** Des conditions s'appliquent* **IT: Potresti VINCERE tu.** Termini e condizioni sono applicabili* **ES: PUEDES GANAR.** Aplican términos y condiciones* **PT: PODERÁ GANHAR.** Aplicam-se Termos e Condições* **ZH: 轻松获奖.** 条款和条件适用* **PL: Szansa na WYGRANĄ.** Obowiązuje regulamin* **CS: Máte šanci VYHRÁT.** Platí všeobecné smluvní podmínky* **SK: Máte šancu VYHRÁŤ.** Platia všeobecné zmluvné podmienky* **HU: TE IS NYERHETSZ!** Felhasználási feltételek érvényesek* **UA: ВИ МОЖЕТЕ ВИГРАТИ.** Застосовуються загальні положення та умови* **RO: Ai putea CÂȘTIGA.** Se aplică termenii și condiții* **BG: Можете да СПЕЧЕЛИТЕ.** Има определени правила и условия* **LV: Tu vari LAIMĒT.** Ir spēkā noteikumi un nosacījumi.* **ET: Sul on võimalus VÕITA.** Kehtivad tingimused* **LT: Jūs galite LAIMĖTI.** Taikomos sąlygos* **TR: KAZANABİLİRSİN.** Şartlar ve Koşullar geçerlidir*

*[LEGO.com/productfeedback-terms](https://www.lego.com/productfeedback-terms)

LEGO and the LEGO logo are trademarks of the/son des marques de commerce du/son marcas registradas de LEGO Group. ©2026 The LEGO Group. HOONIGAN® and HOONICORN® are registered trademarks of Wheel Pros, LLC © 2026 Wheel Pros, LLC All rights reserved.

The 43, Skull logos, and KEN BLOCK are trademarks of KPБ Trust and are used with permission from KPБ Trust and in partnership with Building the Blocks, LLC. RTR trademarks and designs used under permission from Vaughn Gittin Jr. Motorsports, LLC. Ford Motor Company Trademarks and Trade Dress used under license to the LEGO Group.