



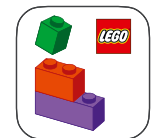
75442

**STAR
WARS**

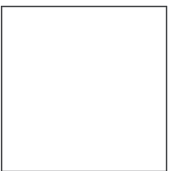


Available in English
In deutscher Sprache verfügbar
Disponibles en français
Disponibile in italiano
Disponible en español
提供中文版本

Disney



LEGO® Builder





LEGO.com/sustainable-packaging



FR
**DONNEZ
OU
RECYCLEZ**



ASSOCIATION

OU



MAGASIN

OU



DÉCHÈTERIE

Adresses sur quefairedemesdechets.fr

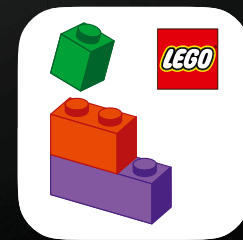


BUILDER



Apple and the Apple logo are trademarks of Apple Inc., registered in the U.S. and other countries and regions. App Store is a service mark of Apple Inc. Google Play and the Google Play logo are trademarks of Google LLC. Tencent and the Tencent logo are trademarks of Tencent Inc.

LEGO.com/devicecheck



LEGO® Builder



ANYTHING BUT A PILE OF JUNK!

We're pretty sure we weren't the only *Star Wars* fans who let out a gasp of excitement when Peli Motto revealed the Naboo N-1 Starfighter to the Mandalorian in *The Book of Boba Fett*. After all, our passion is to build (and rebuild) starships. And we couldn't wait to see what tricks the renowned Mos Eisley mechanical genius/parts pedlar had up her sleeve to replace the notorious *Razor Crest*. Of course, we had to make a LEGO® *Star Wars*™ version – and it's now ready to leave the ~~garage~~ box. A large-scale build-to-display model, it joins our extensive Ultimate Collector Series – guaranteed scurrer-free and will fly under almost any radar.

Enjoy building!
The LEGO® *Star Wars*™ Team





A PRE-EMPIRE CLASSIC

When you build a starship that performs well, it doesn't have to be at the expense of a beautiful exterior. The Naboo N-1 starfighter is one of the most striking designs by the Theed Palace Space Vessel Engineering Corps. Its polished chromium nose, sculpted lines and curves, and custom-tuned twin-ion engines are classic examples of a Naboo tradition that fuses elegance with high performance. Originally commissioned by the Royal Naboo Security Forces, the N-1 is a sleek single-seater with a bite: its twin laser cannons and proton torpedoes are backed by scorching speed and precision. The signature 'rat-tail' finials serve as heat sinks for optimal engine cooling, which in turn helps reduce pollution.

THE FASTEST SHIP IN THE OUTER RIM

Decades after its original heyday with Anakin Skywalker at the helm, the iconic starship finds its way to a new pilot. After losing the *Razor Crest*, the Mandalorian, Din Djarin, is on the hunt for its worthy successor. He first sets his eyes on the battered remains of the N-1 in Peli Motto's garage, although first impressions are not exactly favourable. From there, Motto's resourceful Jawa contractors scrounge the finest scrap the desert world can offer (no questions asked), and Motto's vision begins to take shape. Outfitted with a turbonic venturi power assimilator, cryogenic density booster and custom induction intake, the ship boasts blistering thrust, hyperspace capability without a docking ring and snappy controls and manoeuvring tuned for dogfights.

"Dank farrik, she's fast."

– The Mandalorian

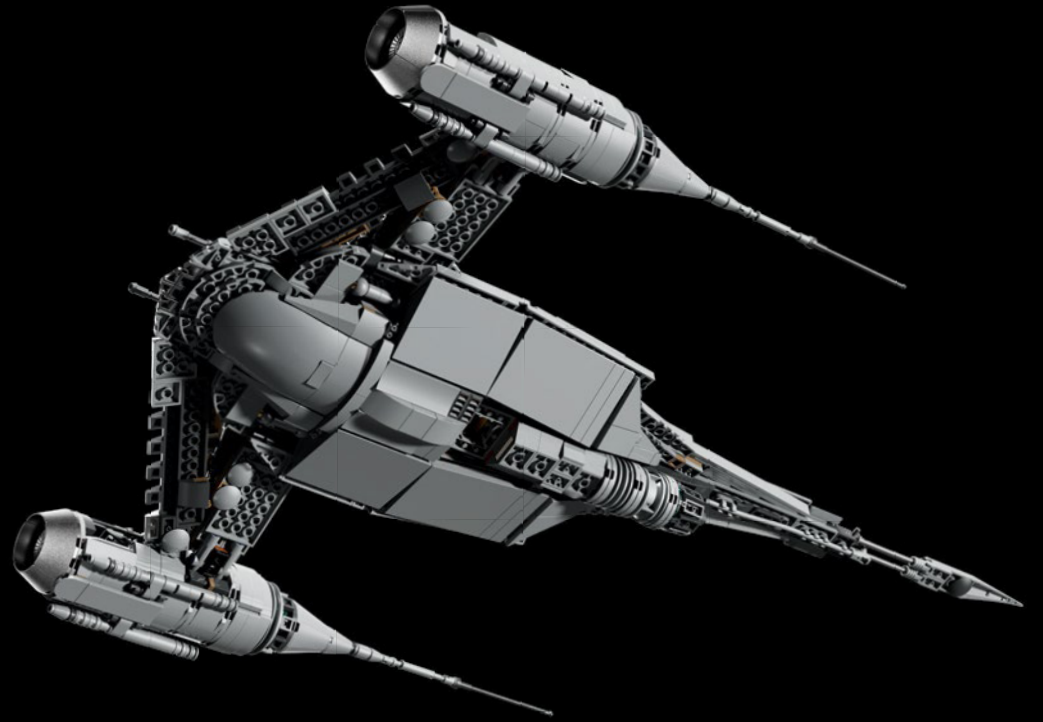




A detailed LEGO Star Wars N-1 starship model is shown against a bright yellow background. The ship is constructed from grey and black Technic bricks, with yellow markings on the wings. It features a complex engine assembly at the front, a cockpit with a transparent canopy, and a large, bulbous rear section. The ship is angled upwards, showcasing its intricate mechanical details and the precision of the LEGO build.

FROM THE LEGO® STAR WARS™ DESIGN TEAM

Our partners at Lucasfilm Ltd. shared lots of reference images of the N-1 from their archives, and we had hundreds of pictures of a life-size version. The organic shape of the starship has major design appeal but recreating the bulbous bottom of the N-1 caught us by surprise – it was a real challenge. The same goes for the subtle angle of the wings. We didn't have any existing elements that allowed us to create the correct angle, so it took some creative experiments to get it right. The engines are full of little parts, tubes and bits – it's by far the most intricate part of the model – and we had to capture that while maintaining the stability and build flow. One thing we're really excited about is the number of drum-lacquered elements we were able to add to the exterior. The shiny chromium look adds an extra layer of authenticity to the model as it's seen in the series. Yellow markings hint at its origin story, balancing the rugged-edge look with the sleek design. Overall, it's such an interesting vehicle and we hope you'll be proud to display it.

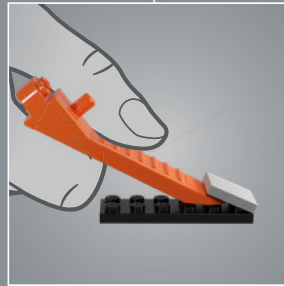
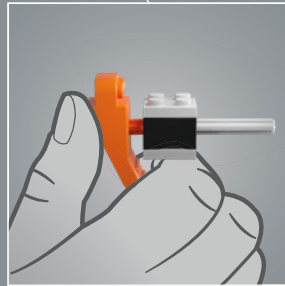
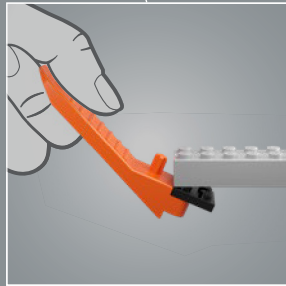
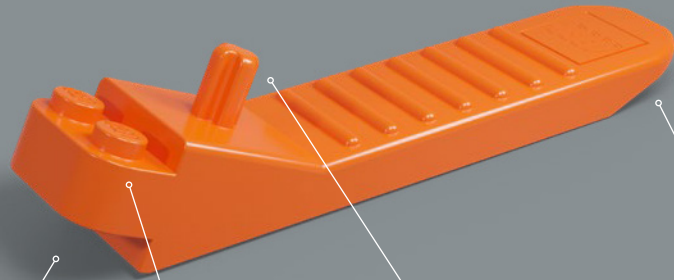


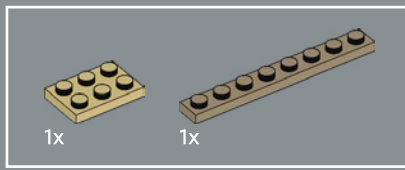




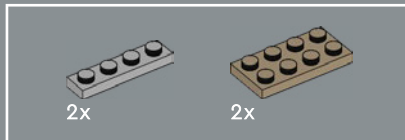
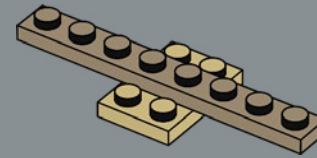




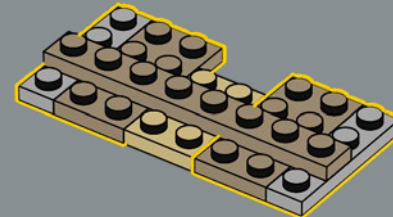


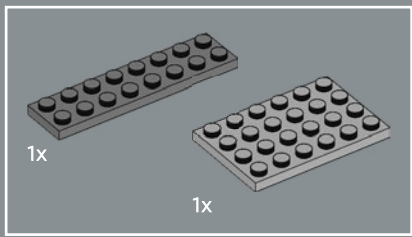


1

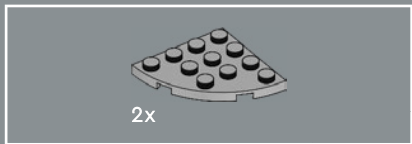
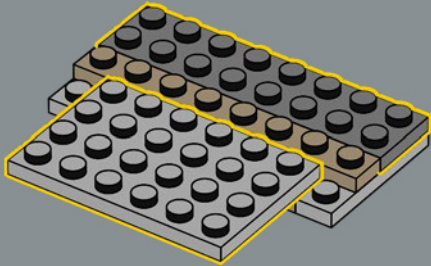


2

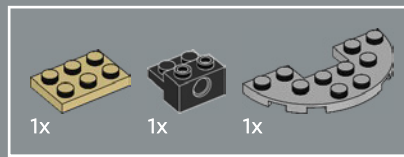
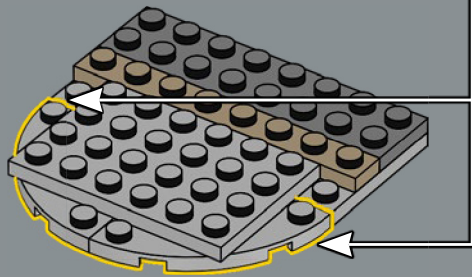
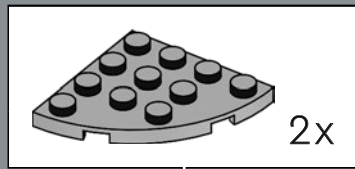




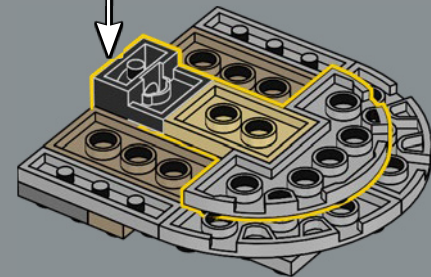
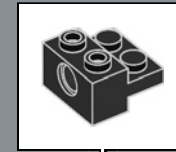
3

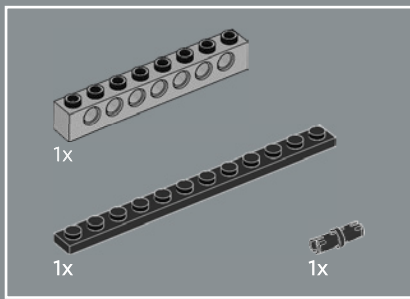


4

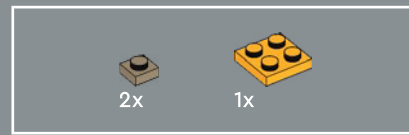
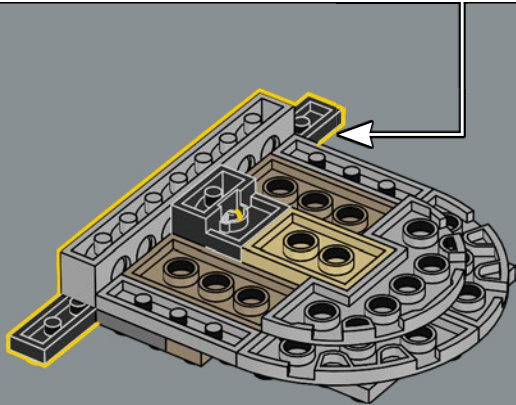
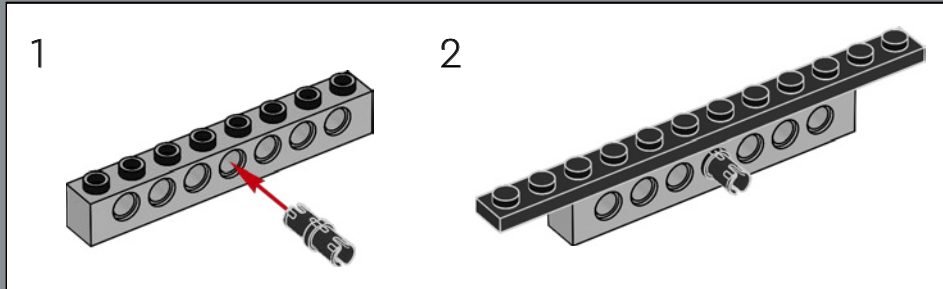


5

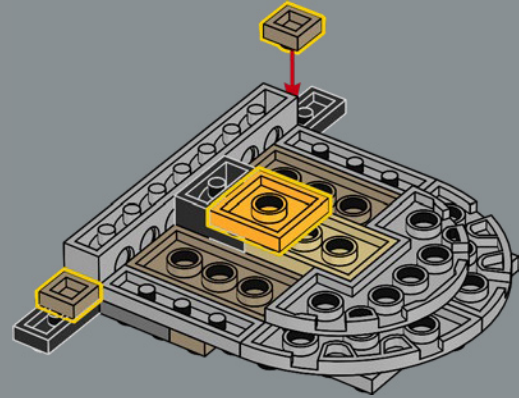




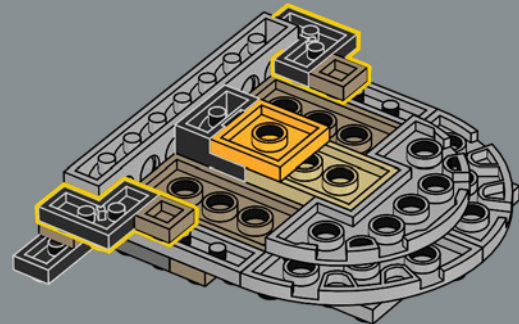
6

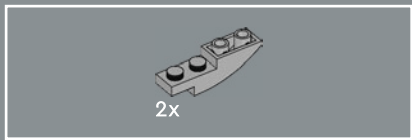


7

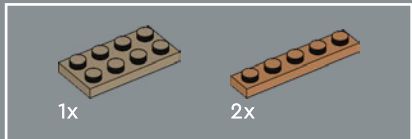
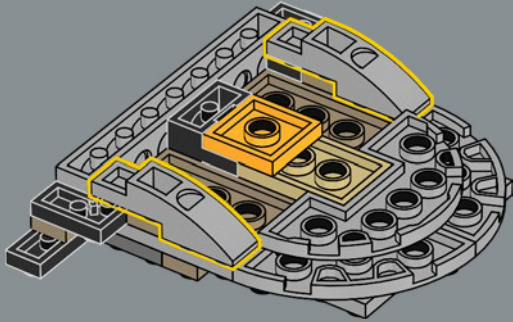


8

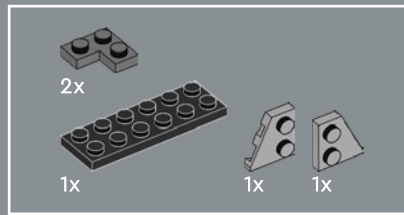
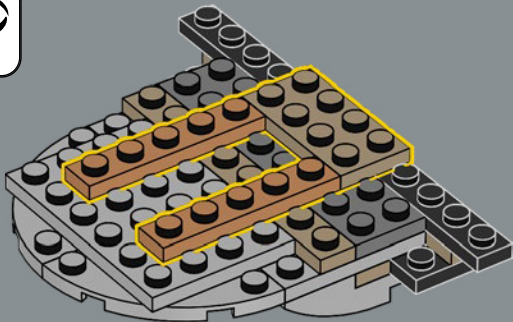




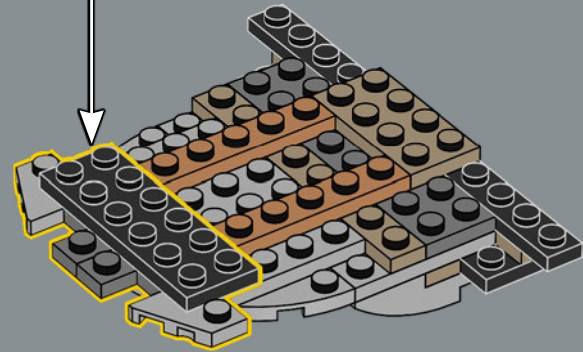
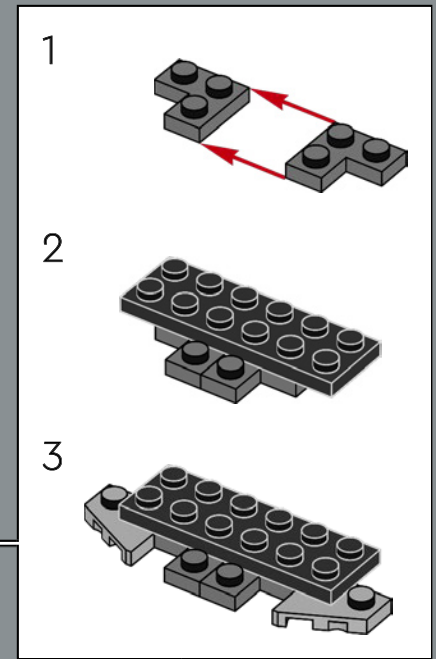
9

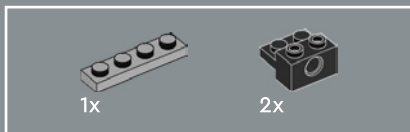


10

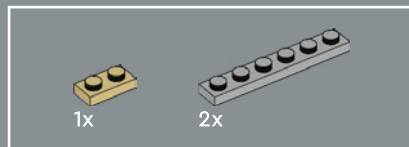
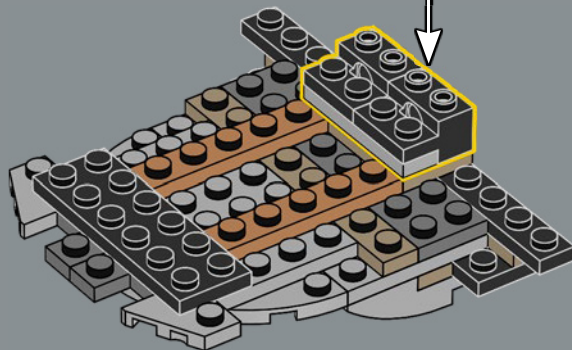
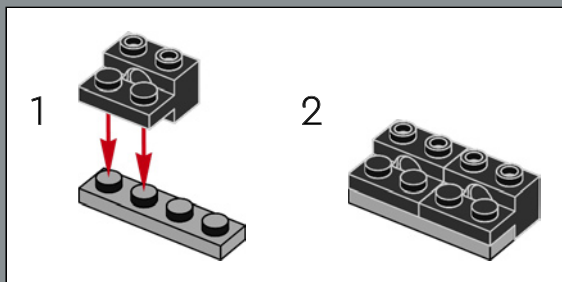


11

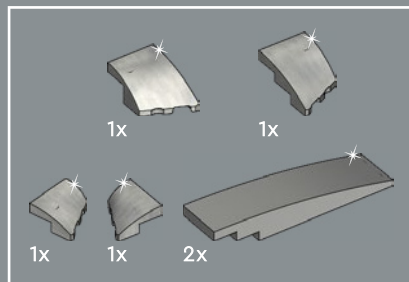
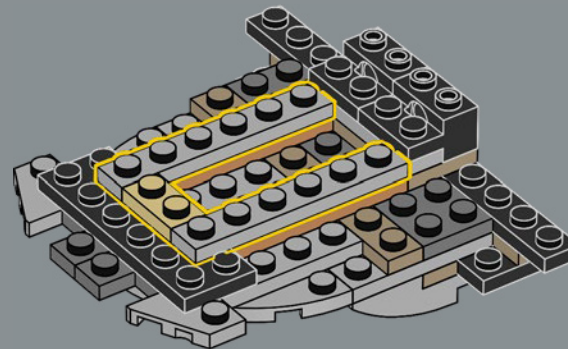




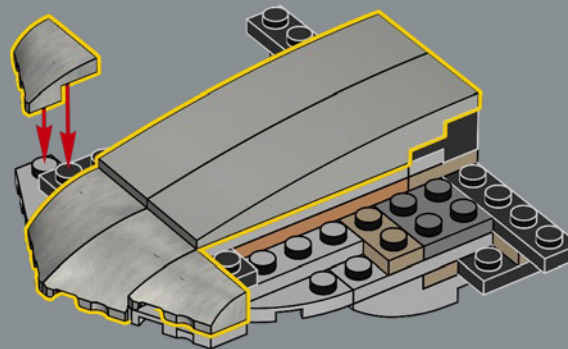
12

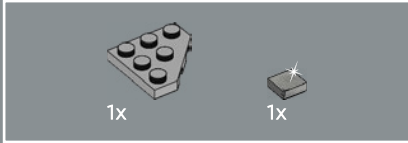
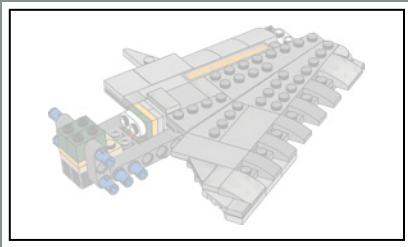


13

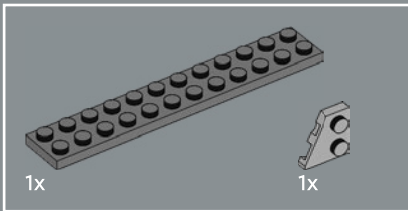
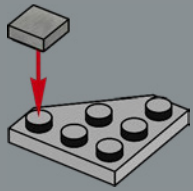


14

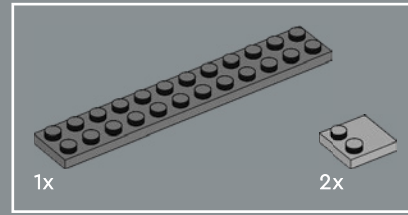
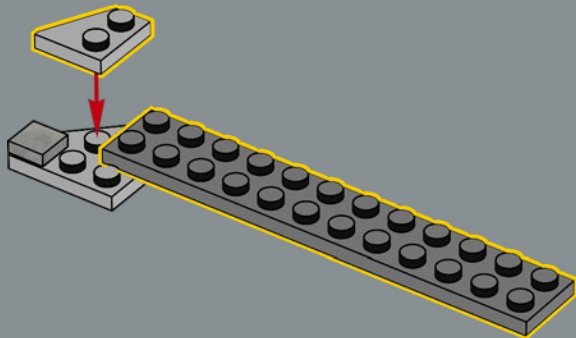




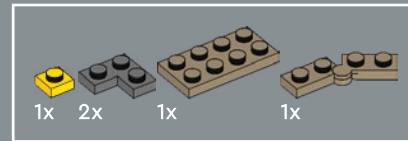
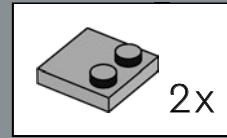
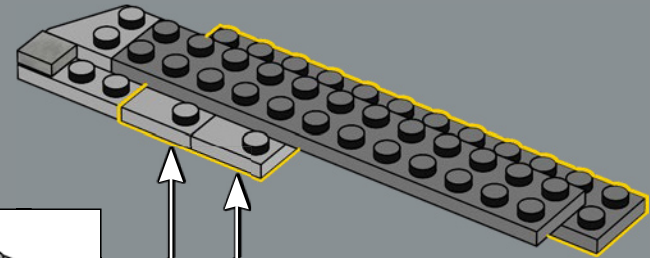
15



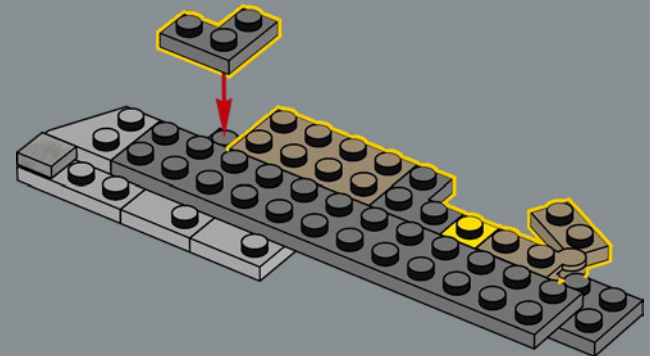
16

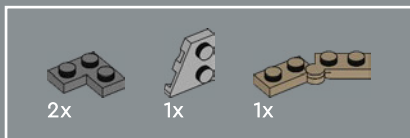


17

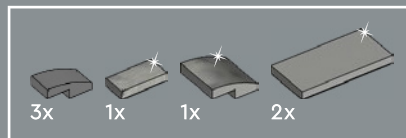
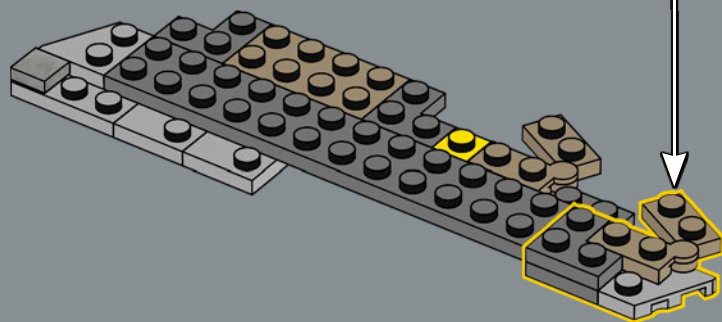
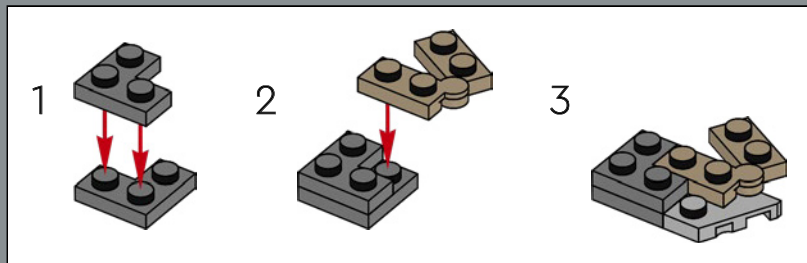


18

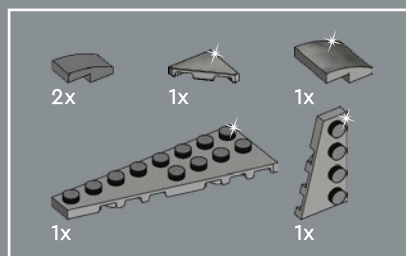
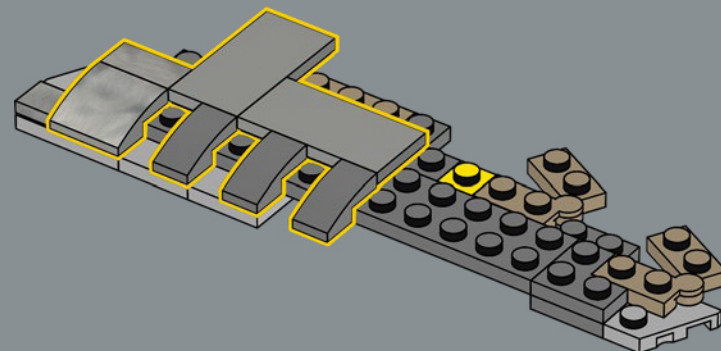




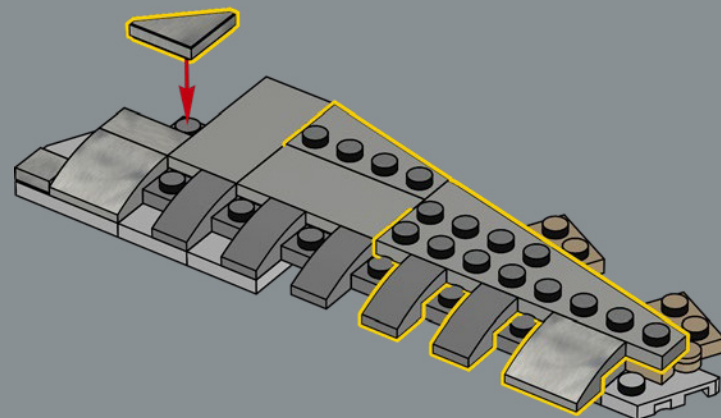
19

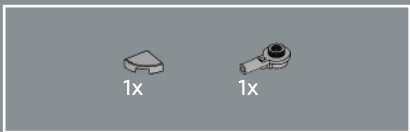


20

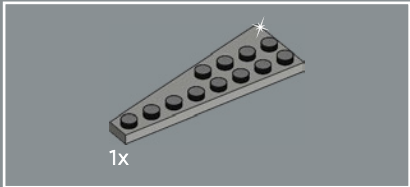
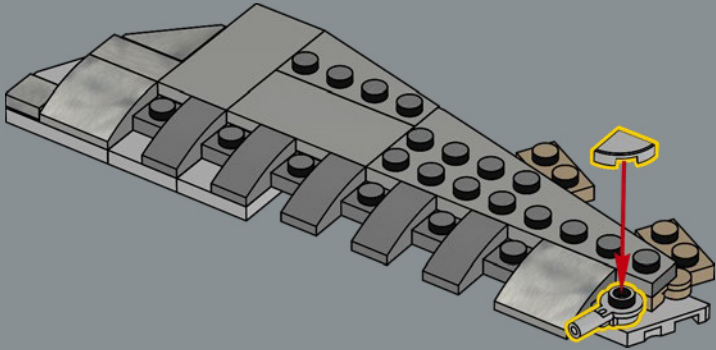


21

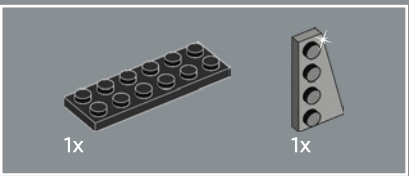
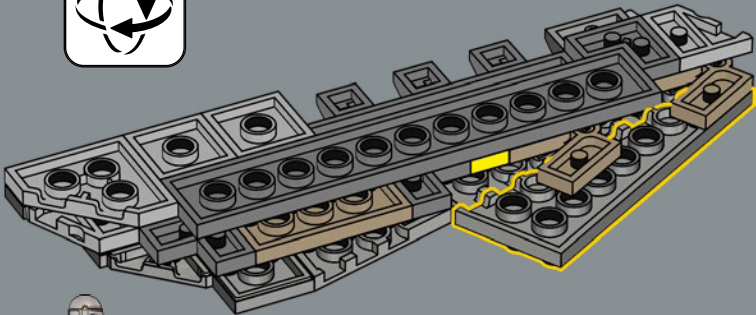




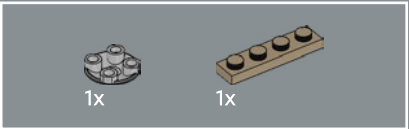
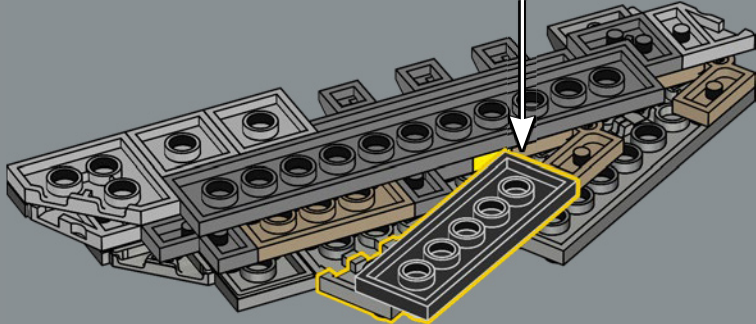
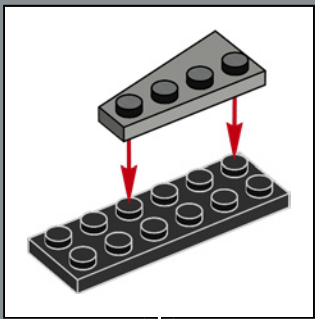
22



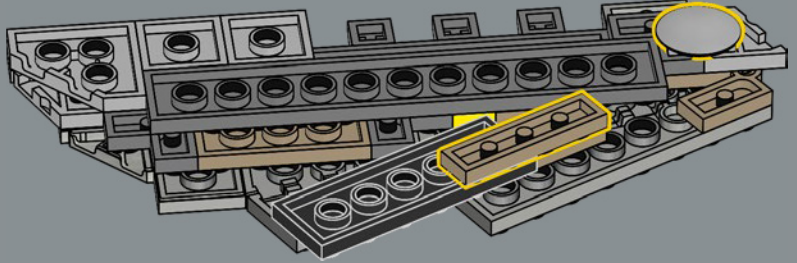
23

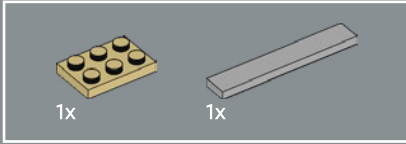
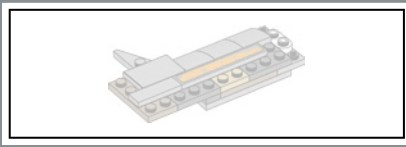


24

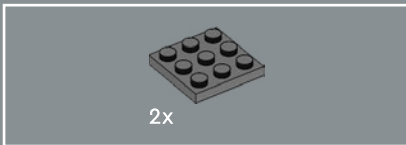
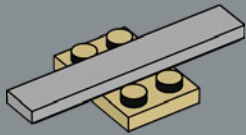


25

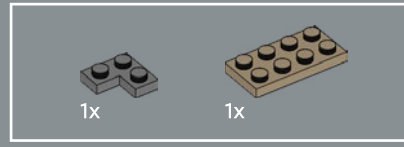
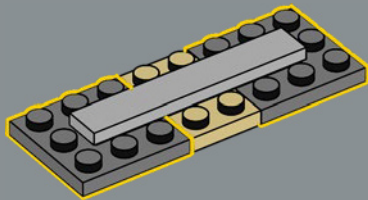




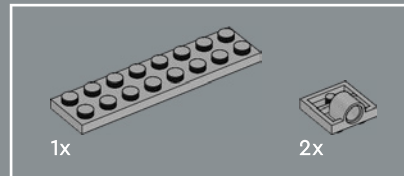
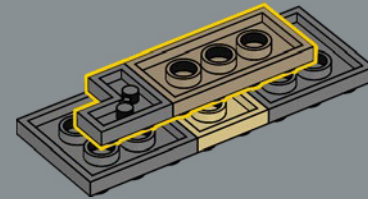
26



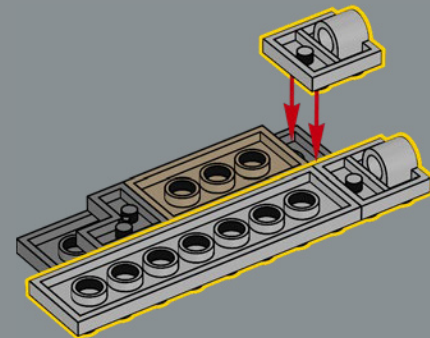
27

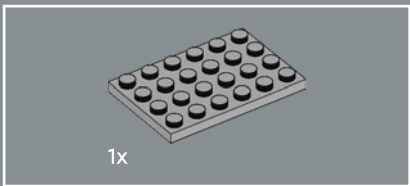


28

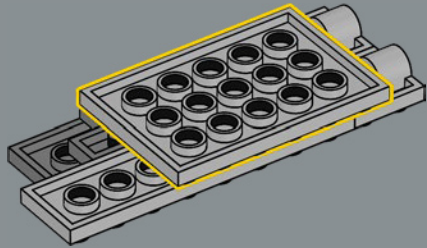


29

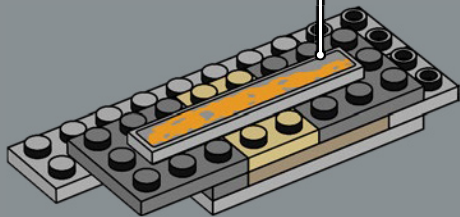




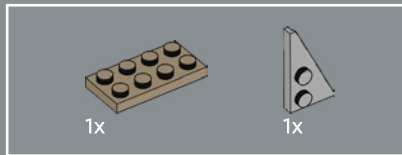
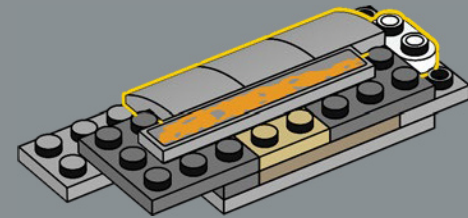
30



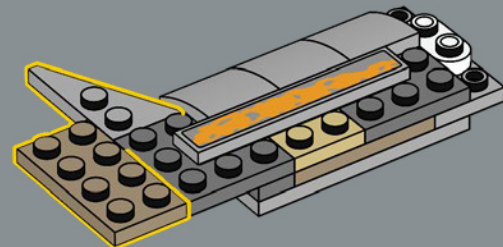
31

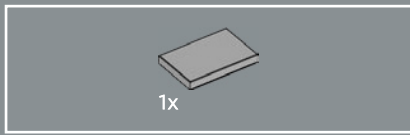


32

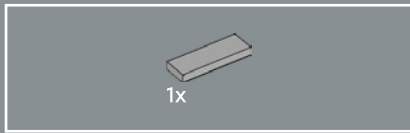
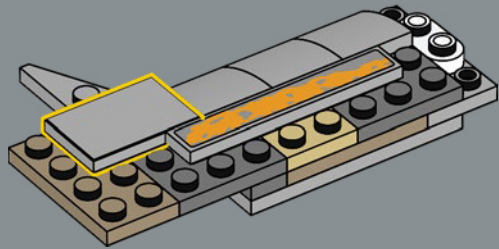


33

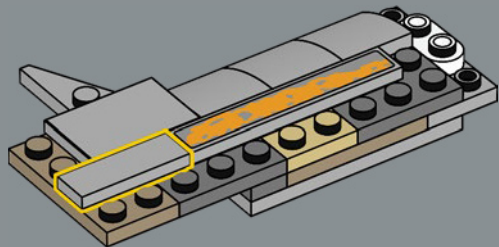




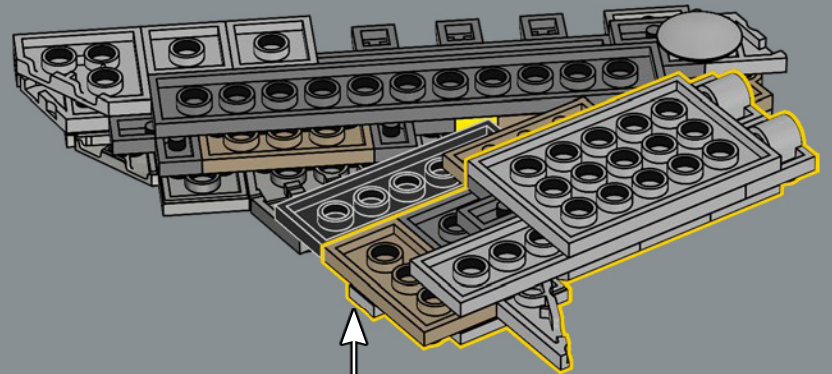
34

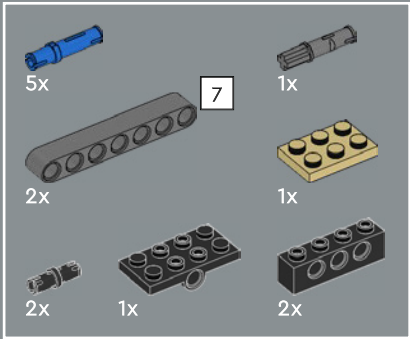
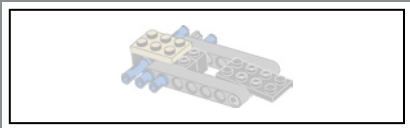


35

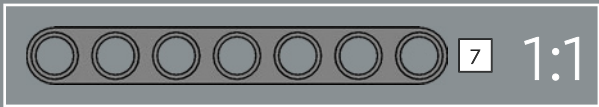
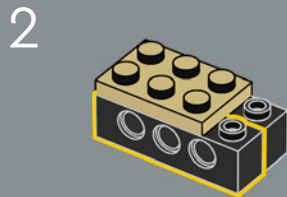
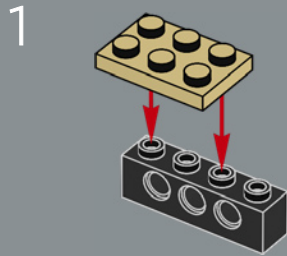


36

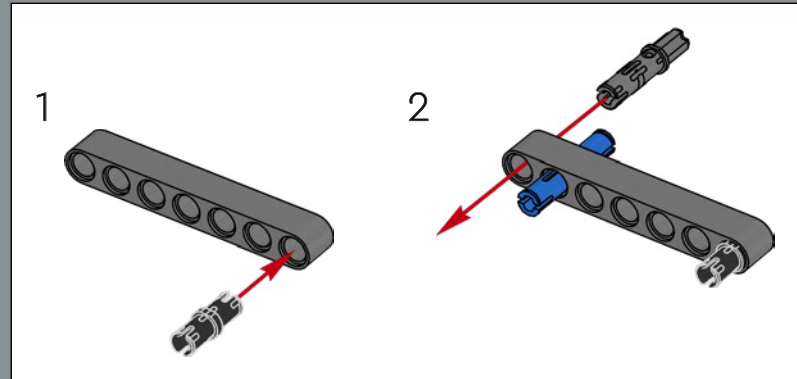
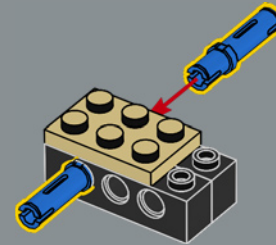




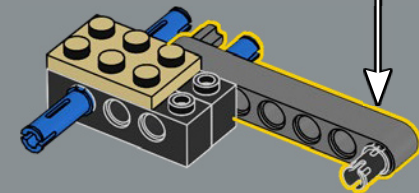
37



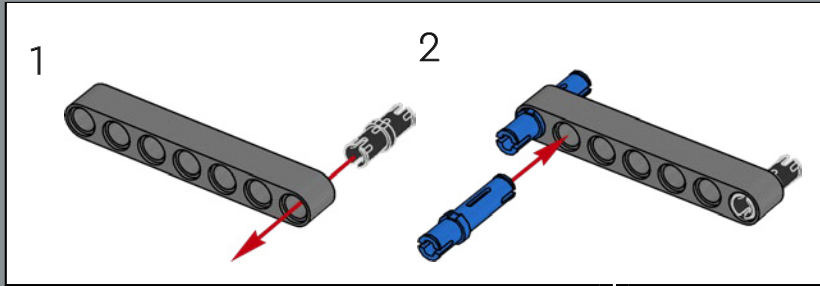
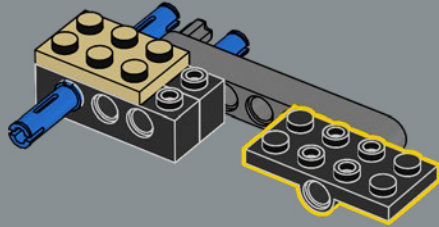
3



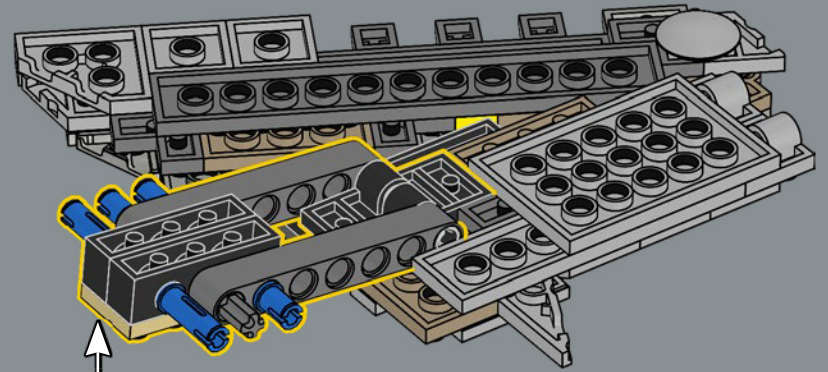
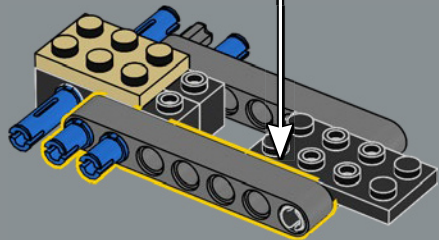
4

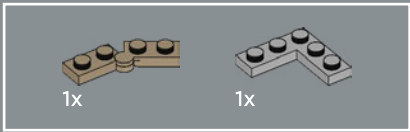


5

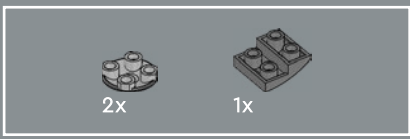
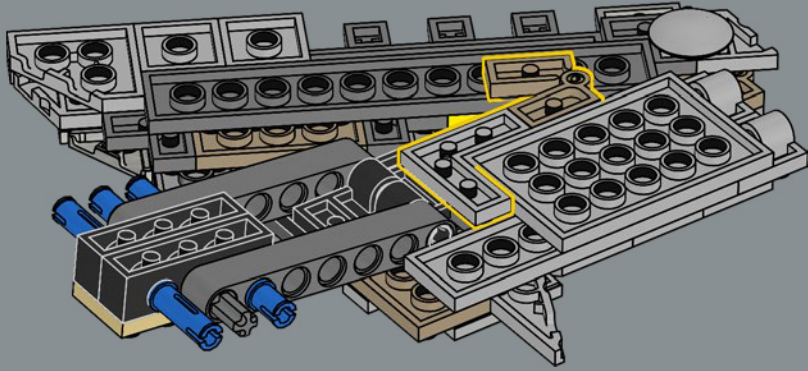


6

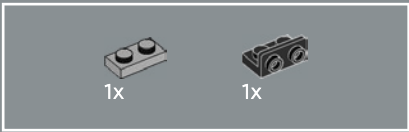
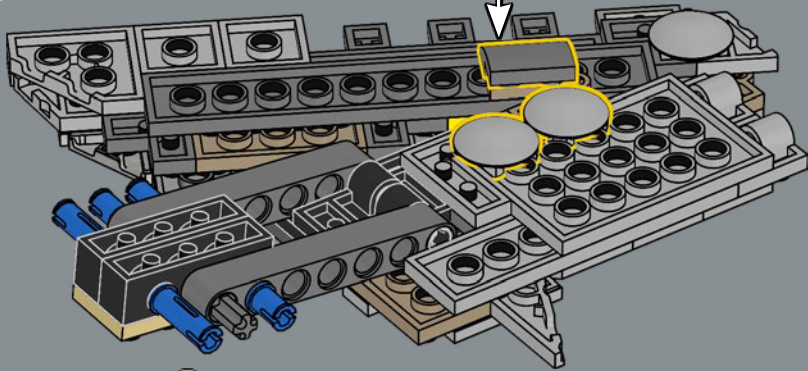
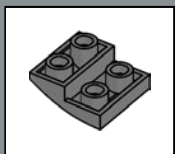




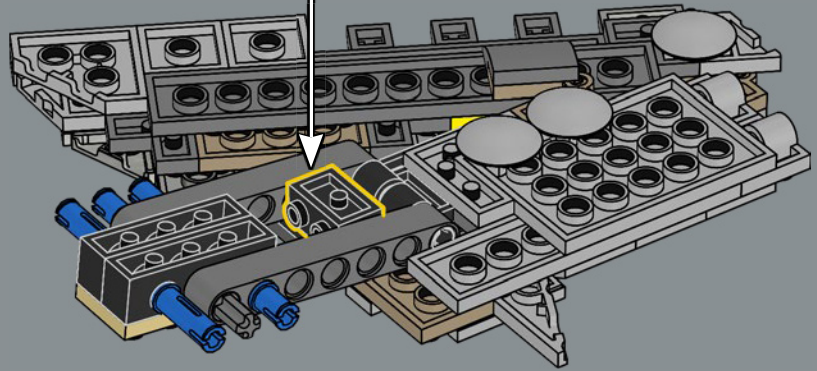
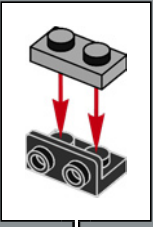
38



39

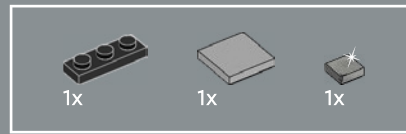
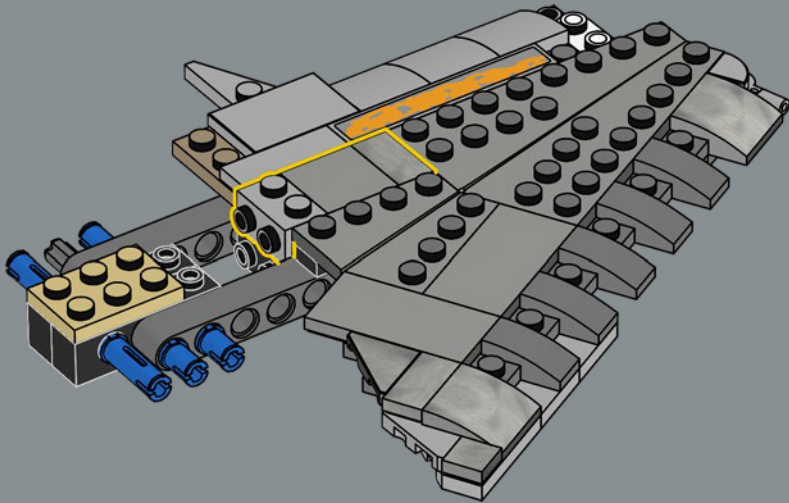


40

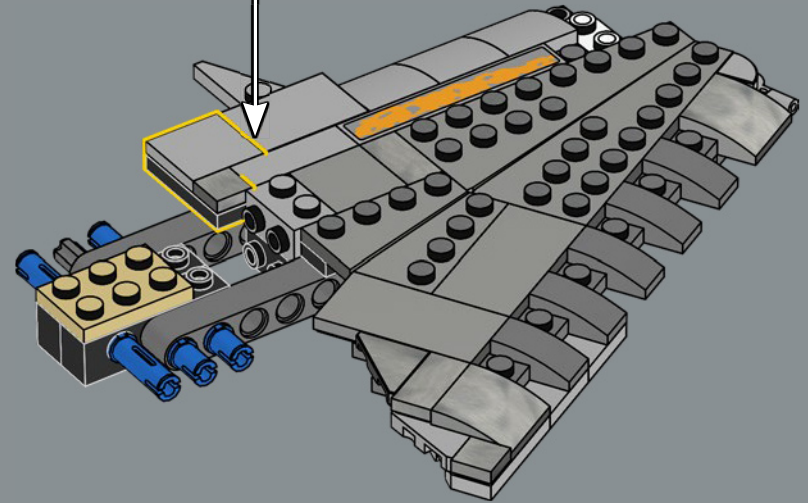
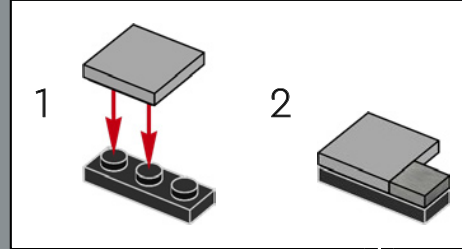




41

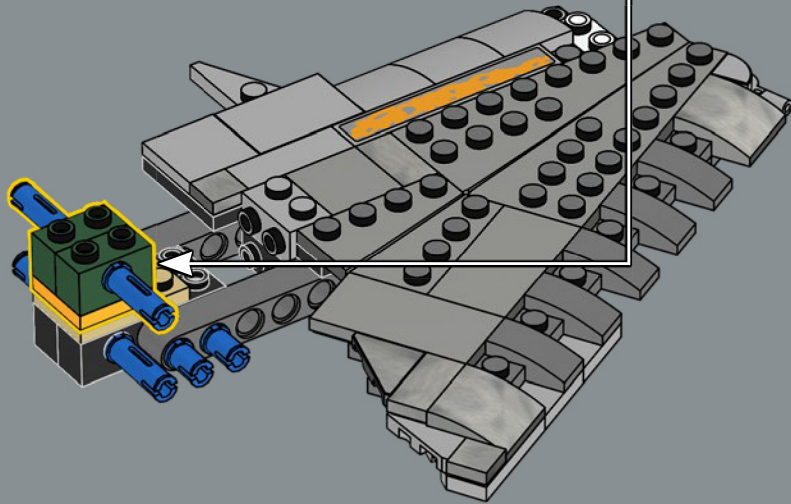
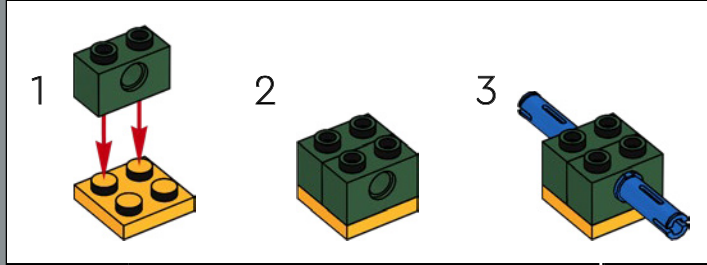


42

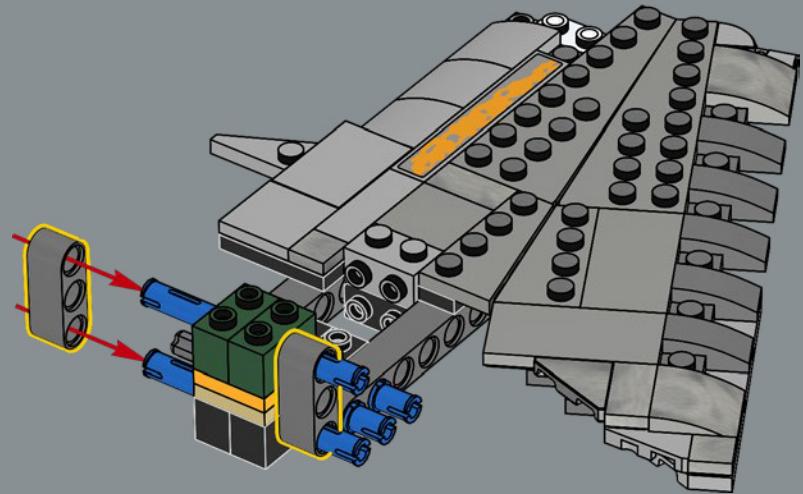




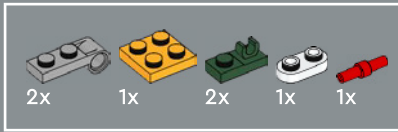
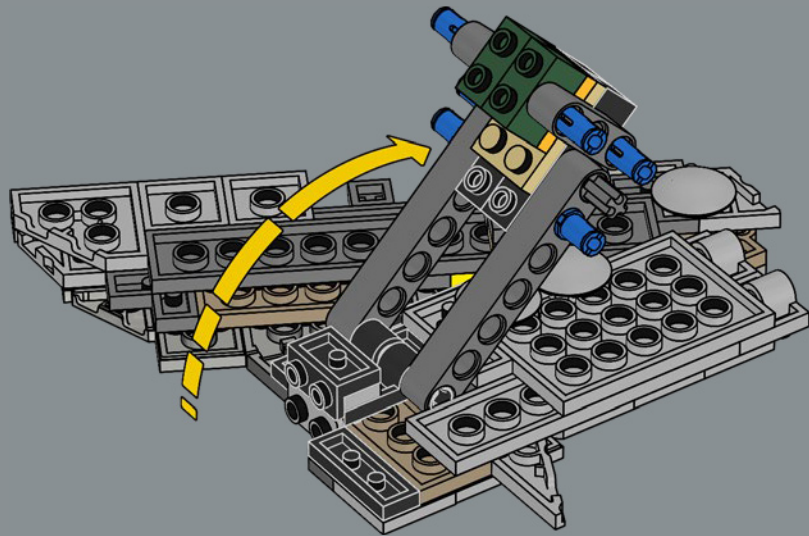
43



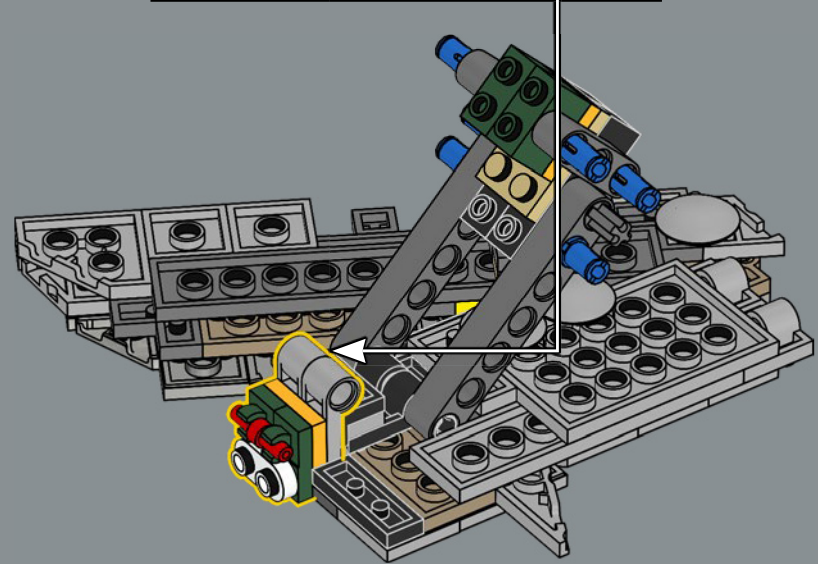
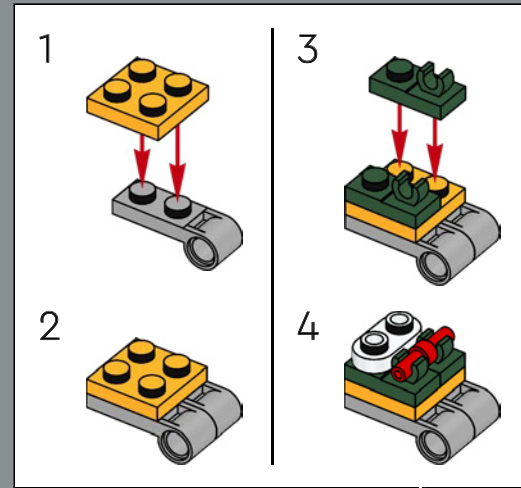
44



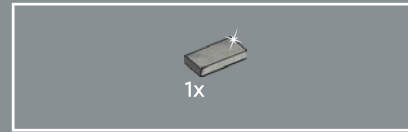
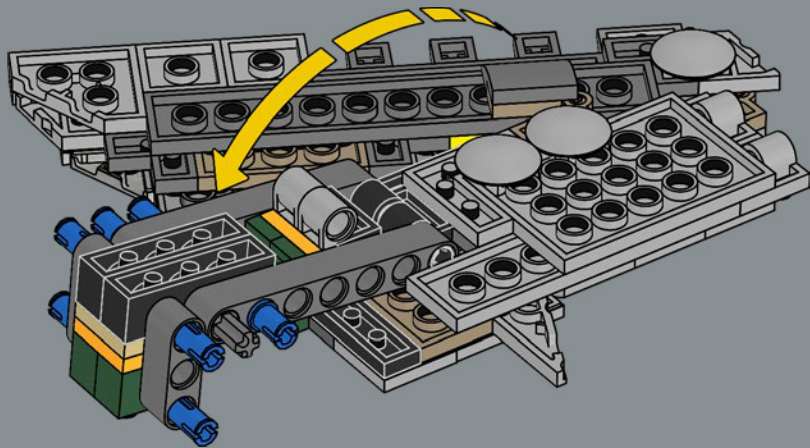
45



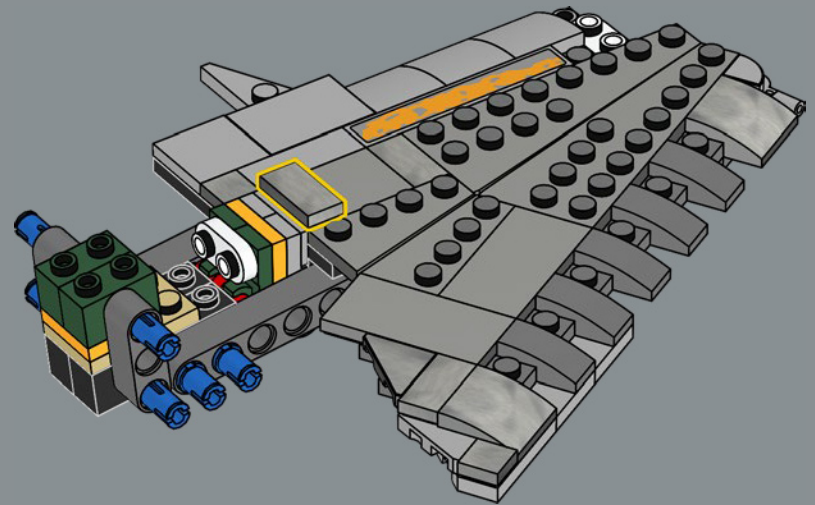
46



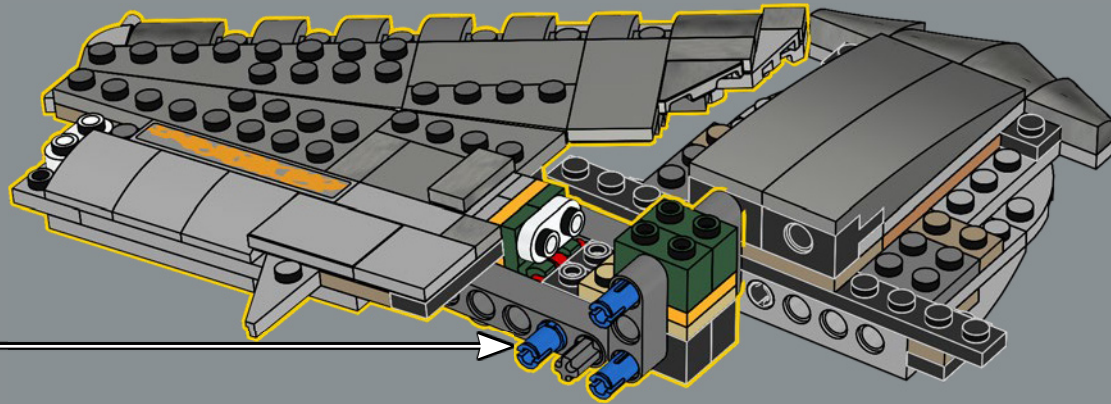
47

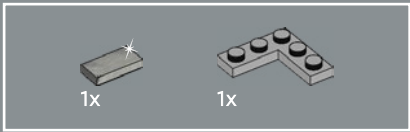


48

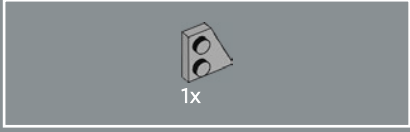
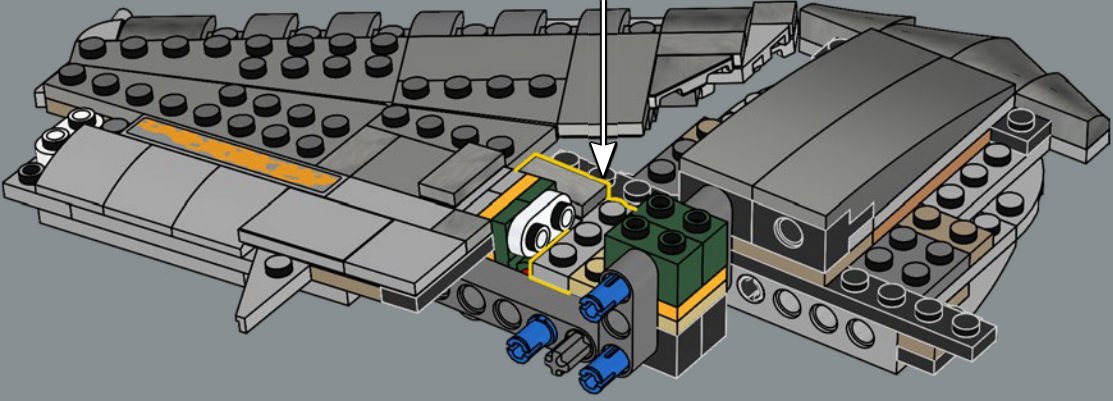
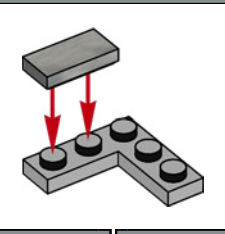


49

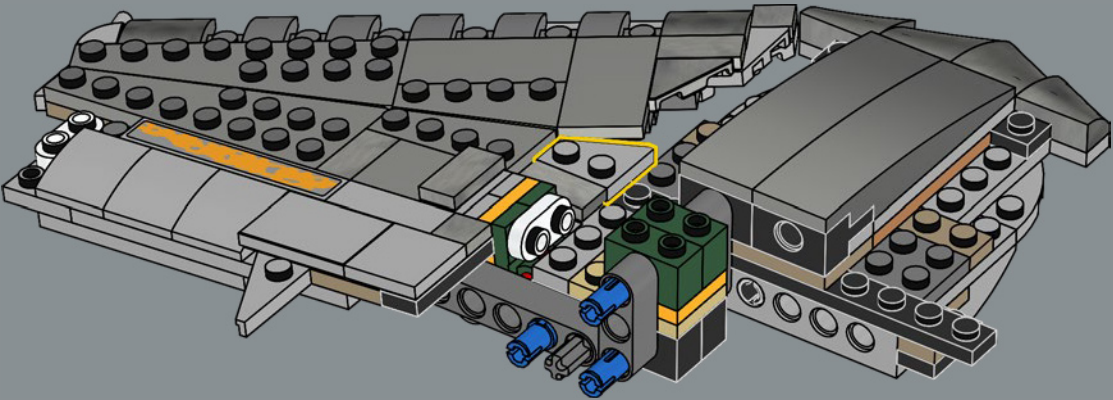




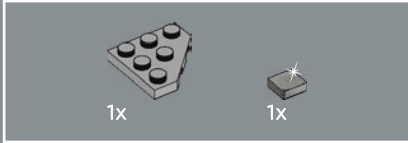
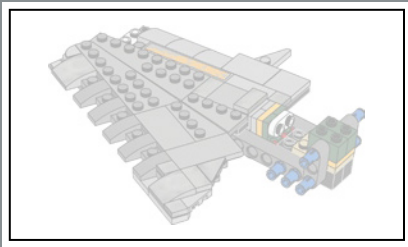
50



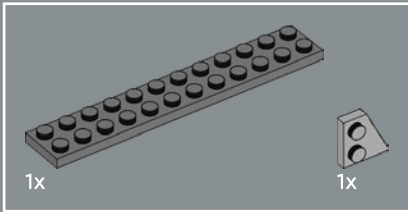
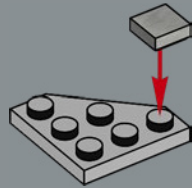
51



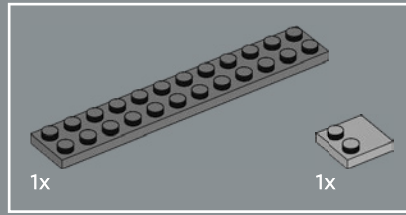
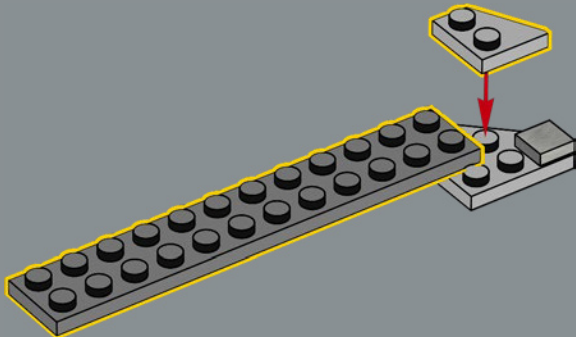




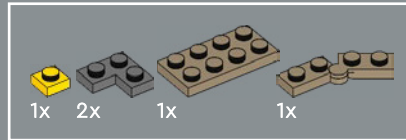
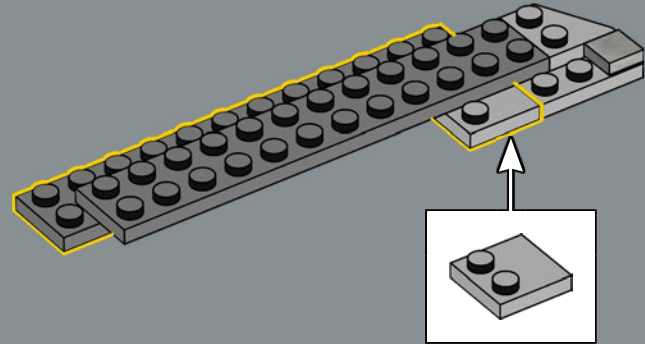
52



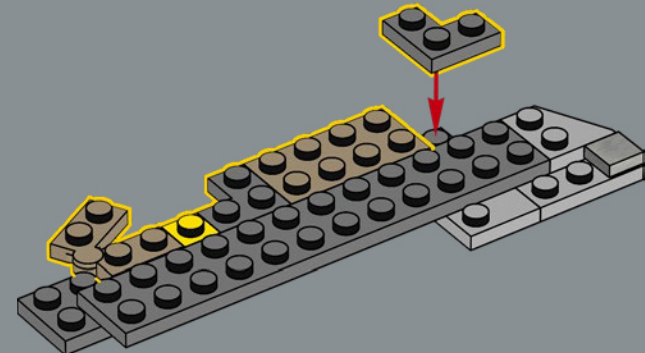
53

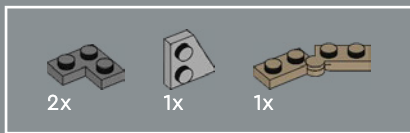


54

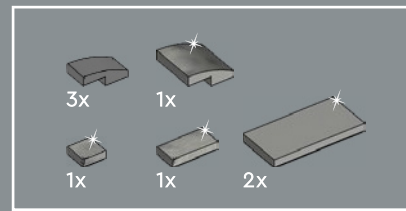
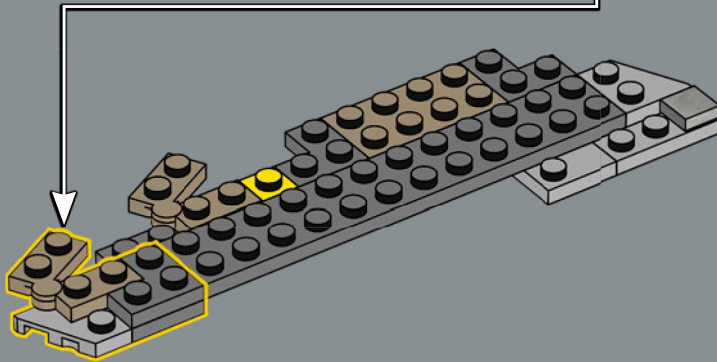
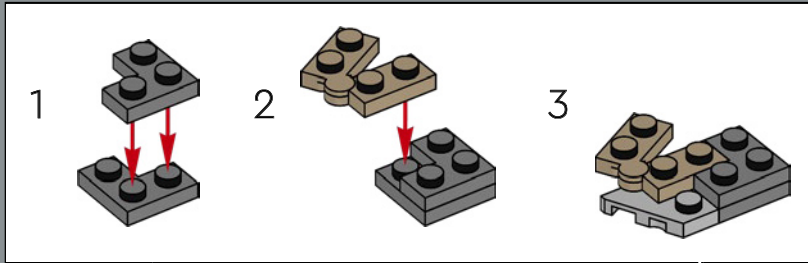


55

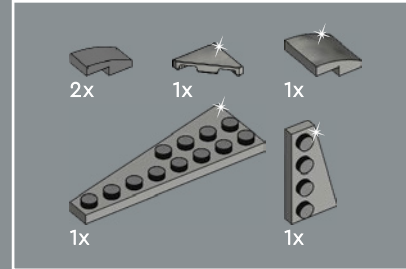
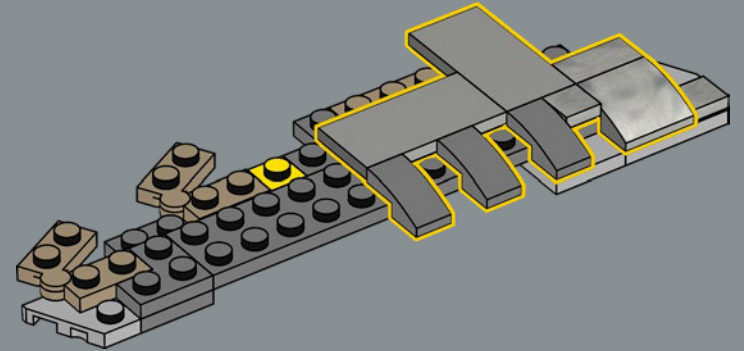




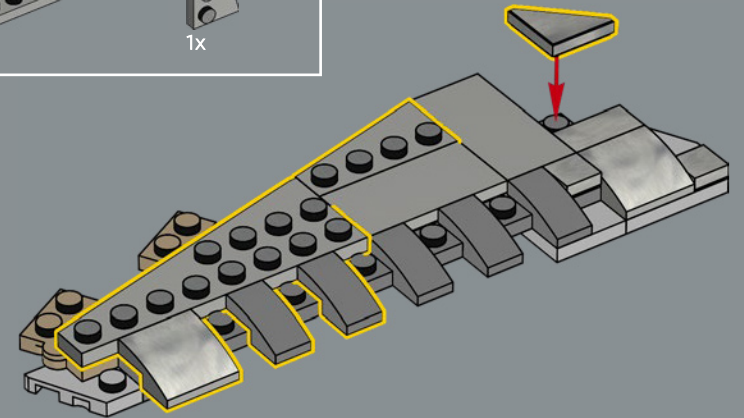
56

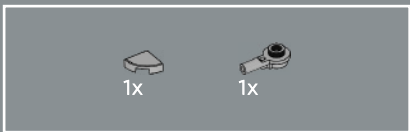


57

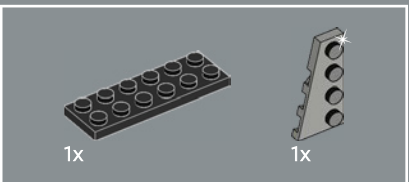
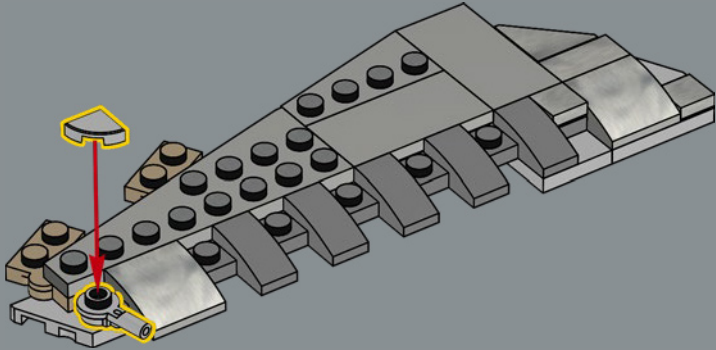


58

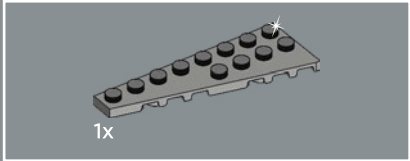
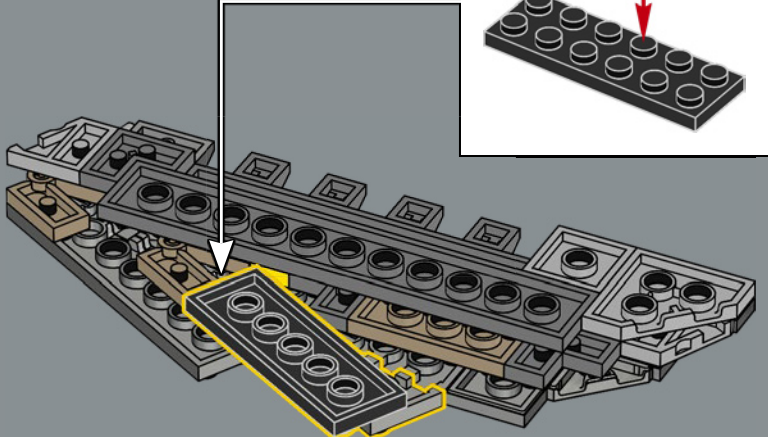




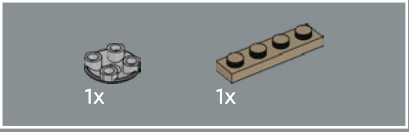
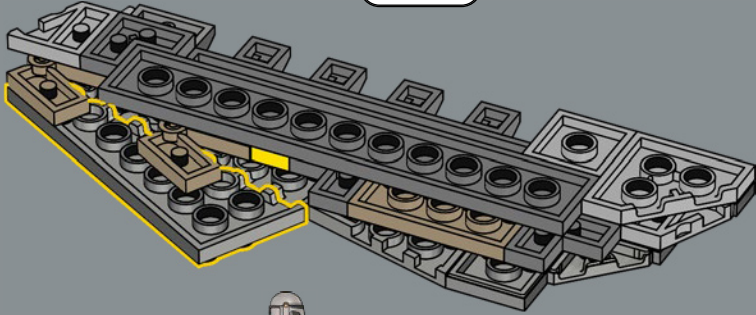
59



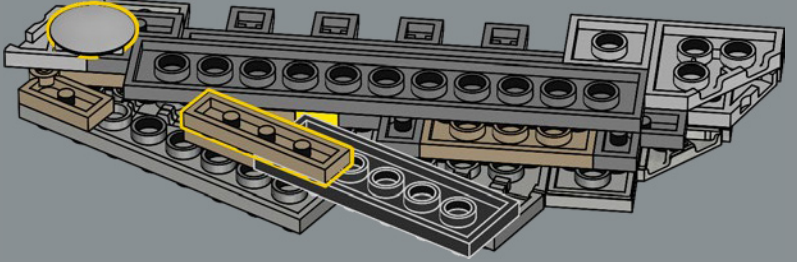
61

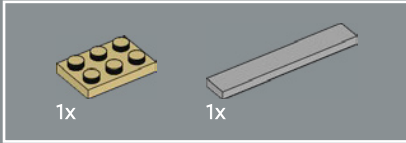
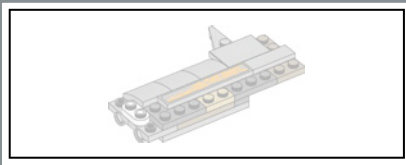


60

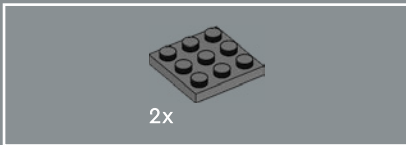
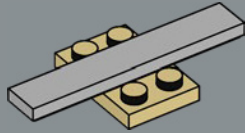


62

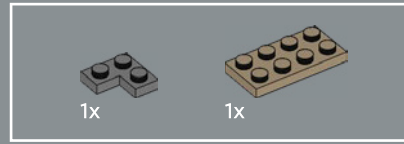
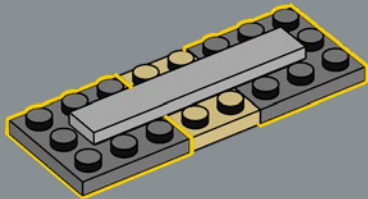




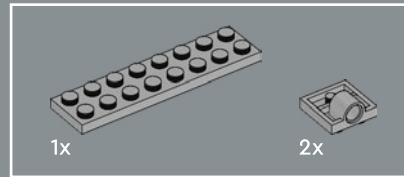
63



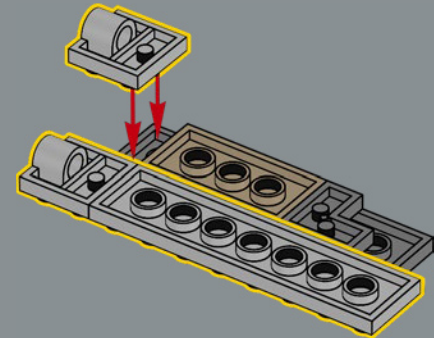
64

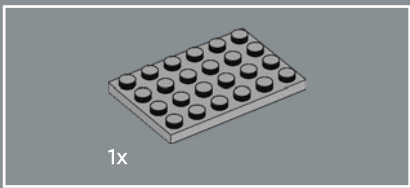


65

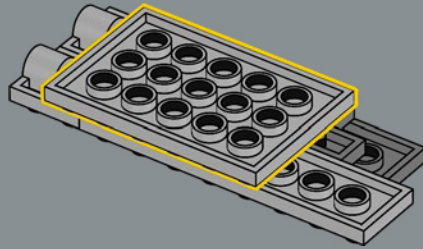


66

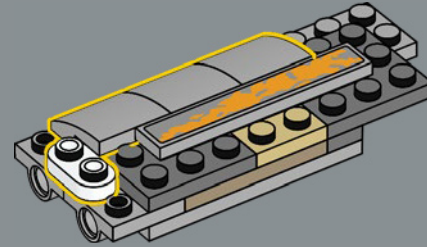




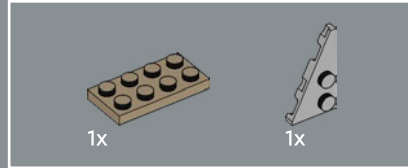
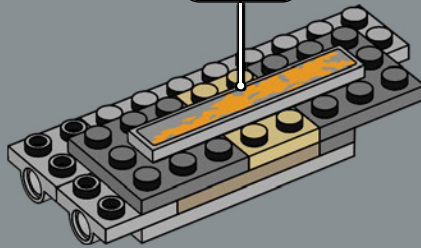
67



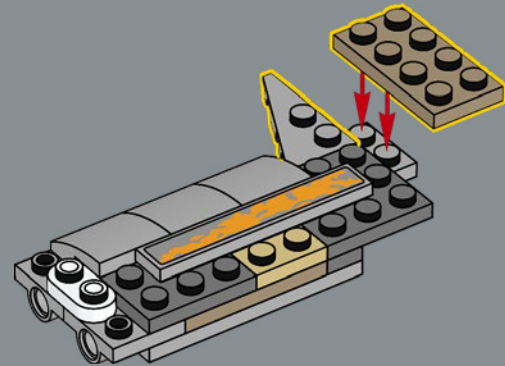
69

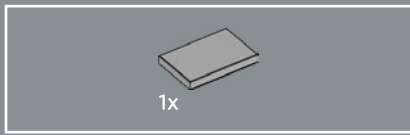


68

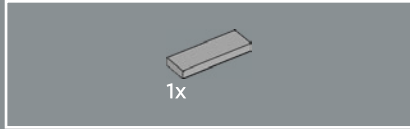
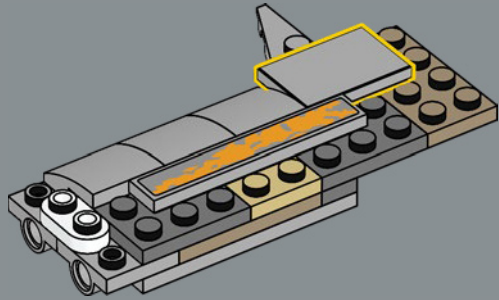


70

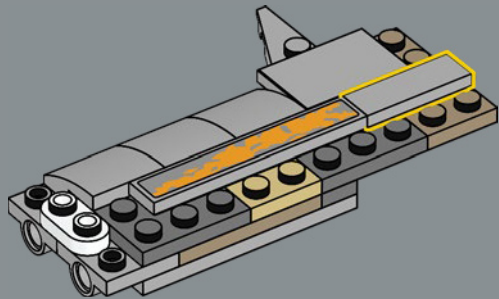




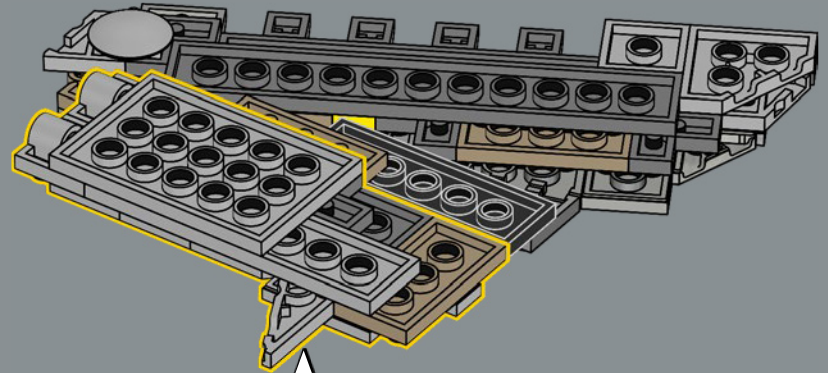
71

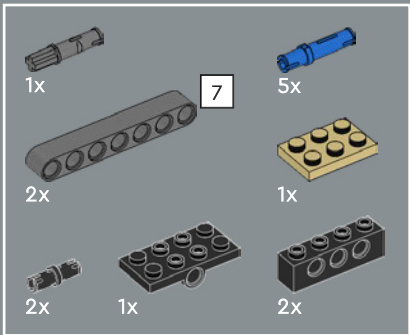
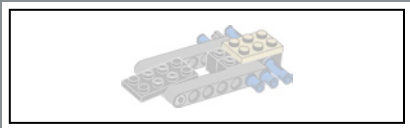


72

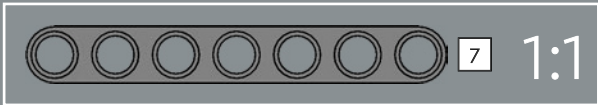
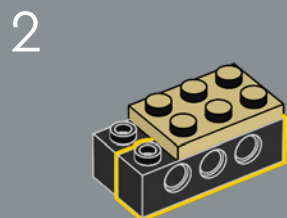
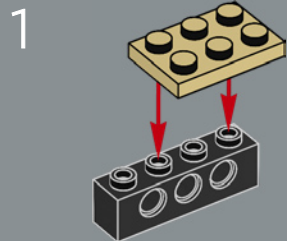


73

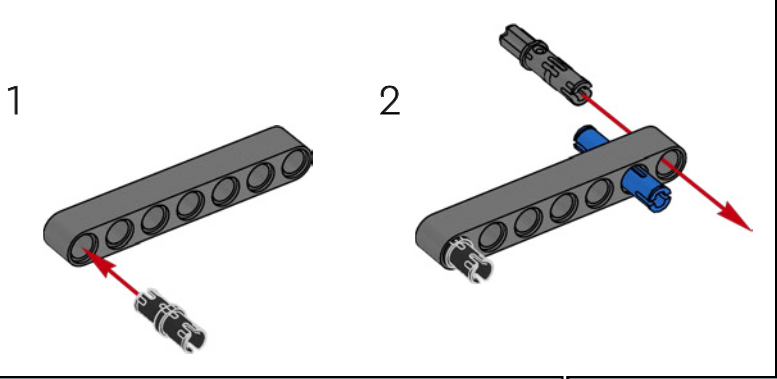
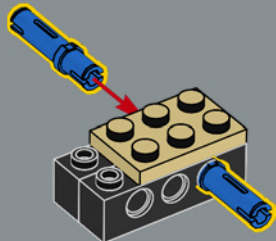




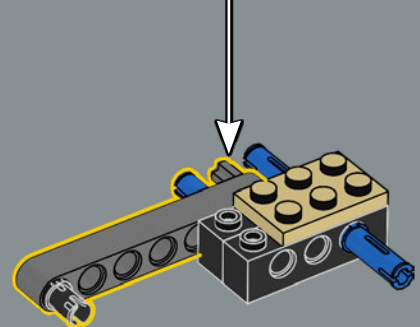
74



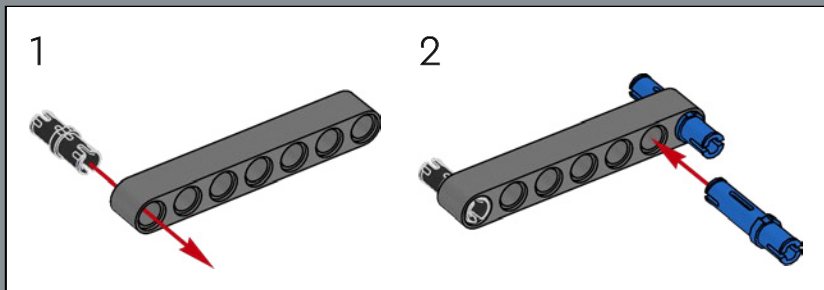
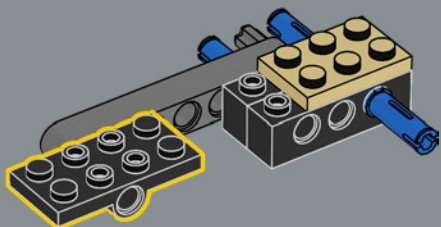
3



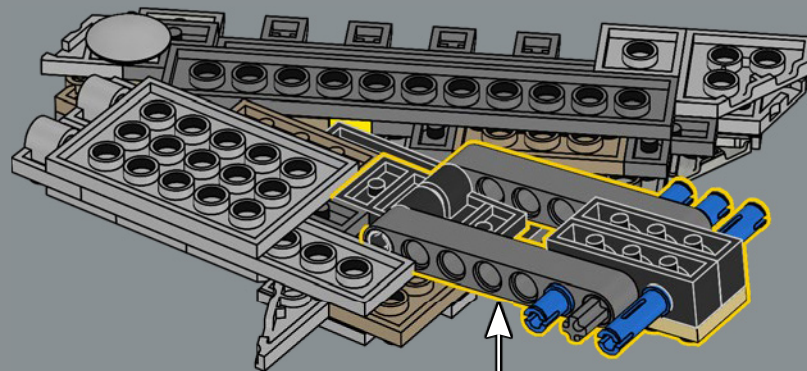
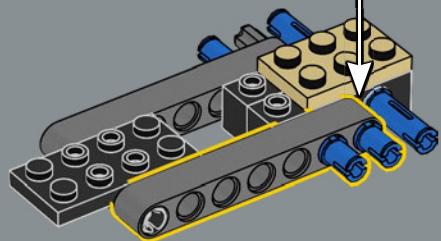
4

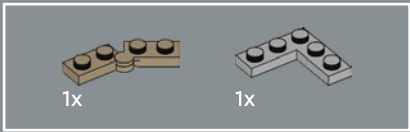


5

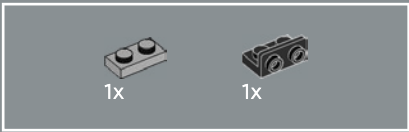
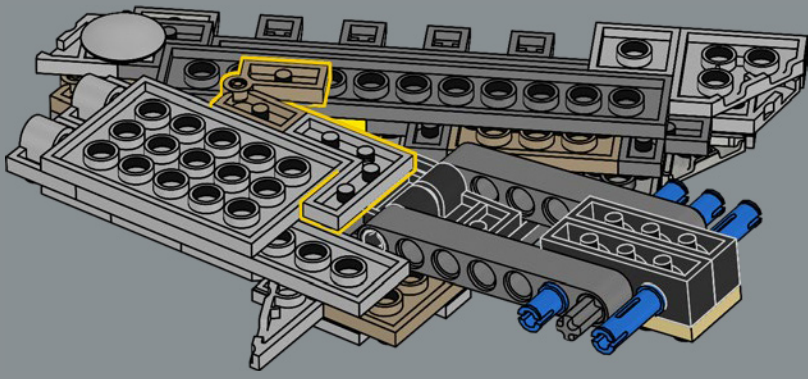


6

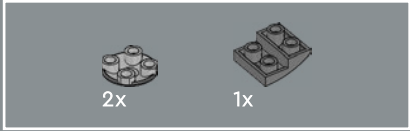
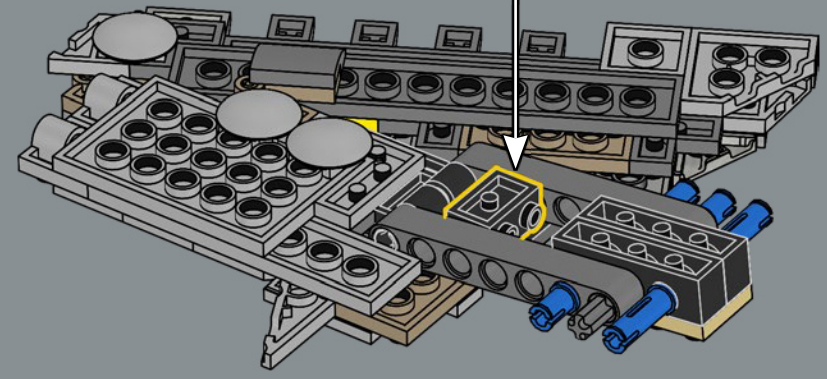
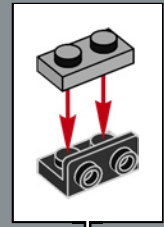




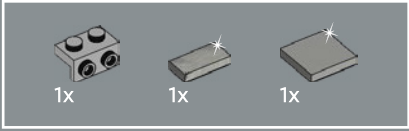
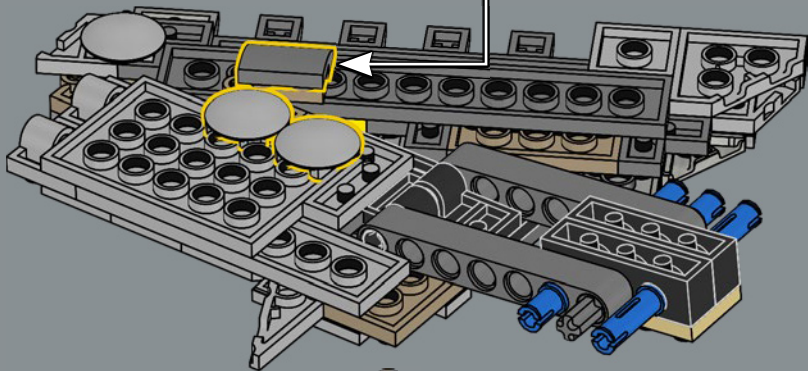
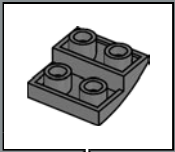
75



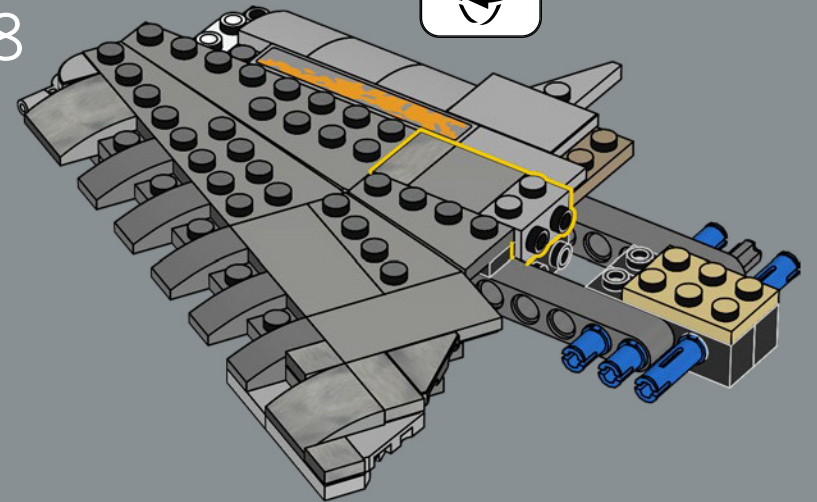
77

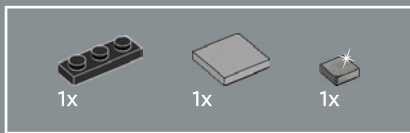


76

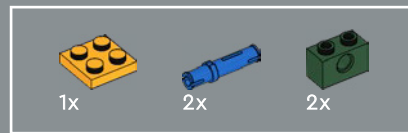
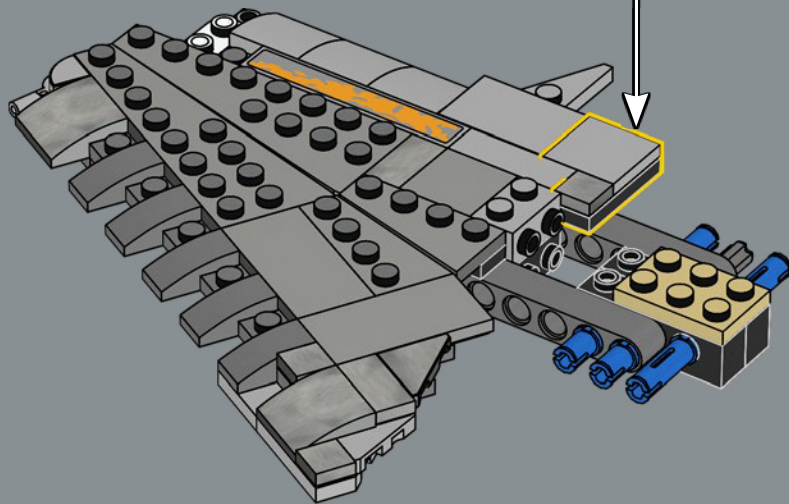
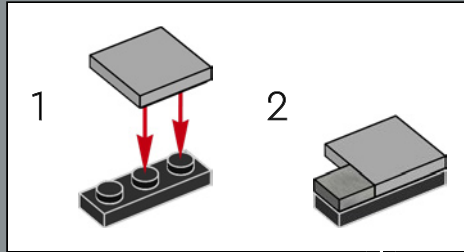


78

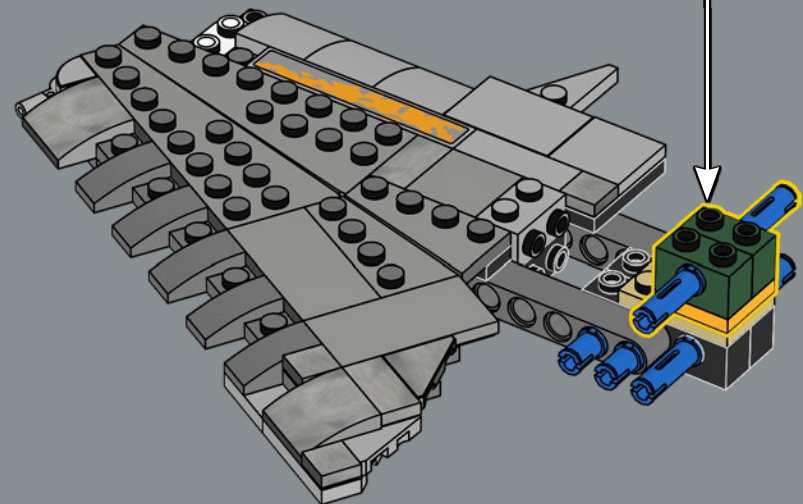
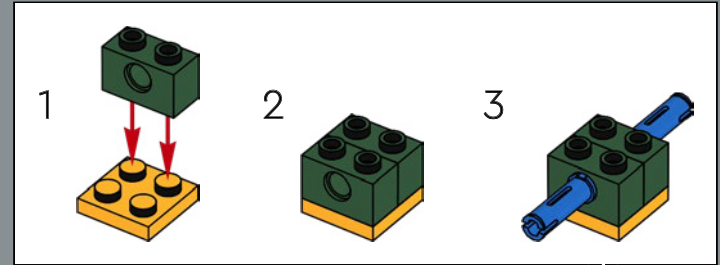


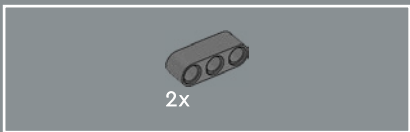


79

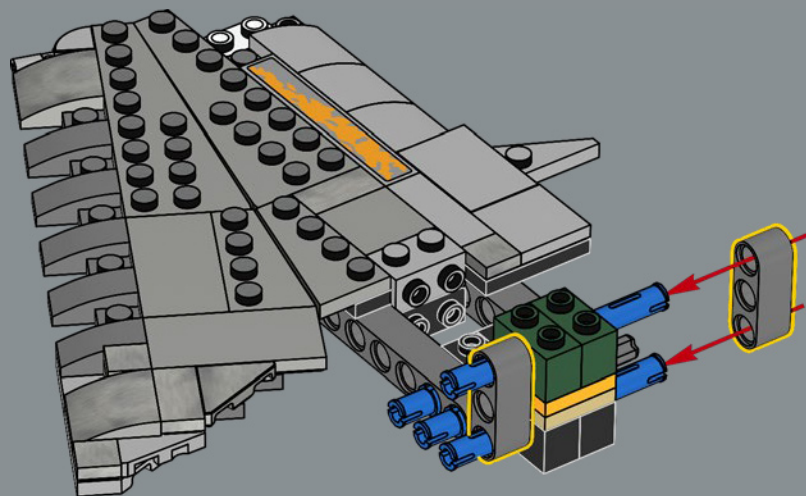


80

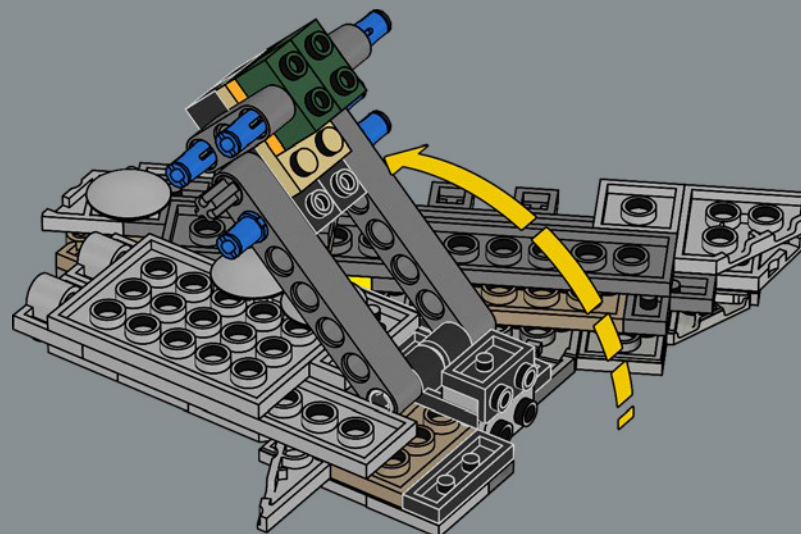


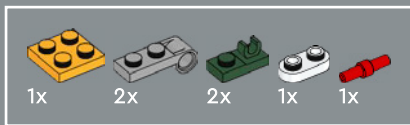


81

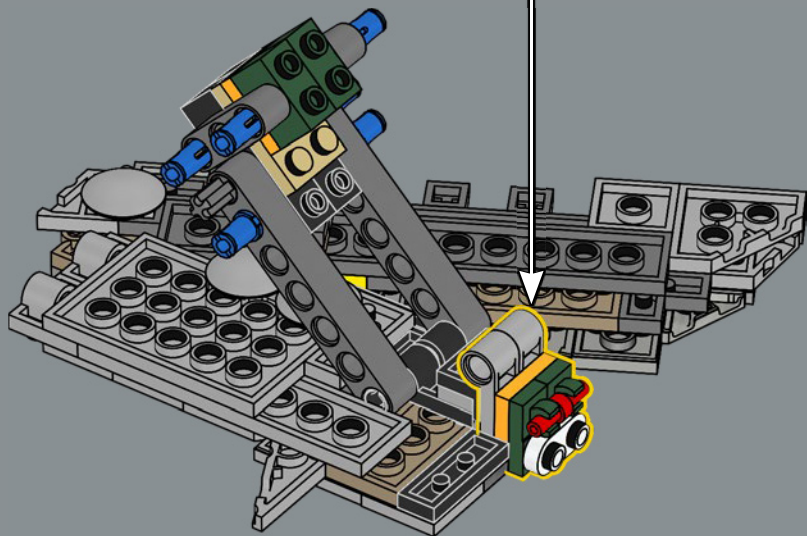
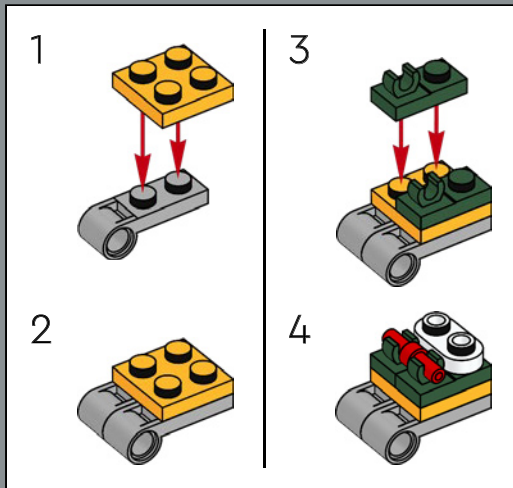


82

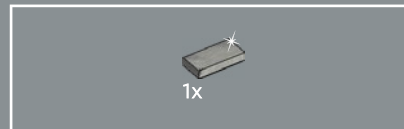
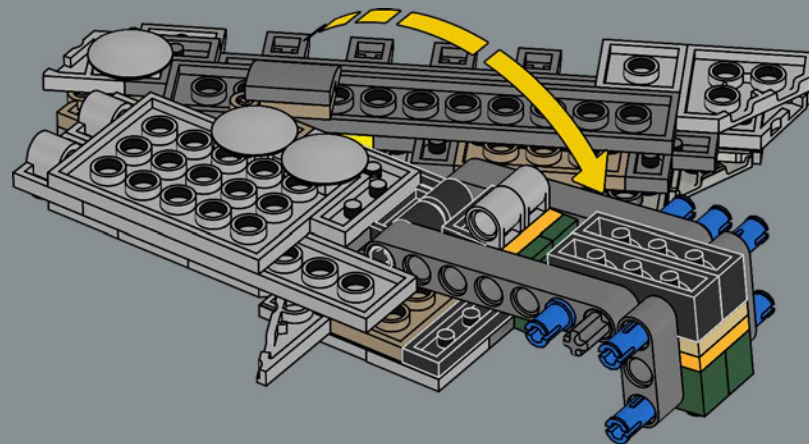




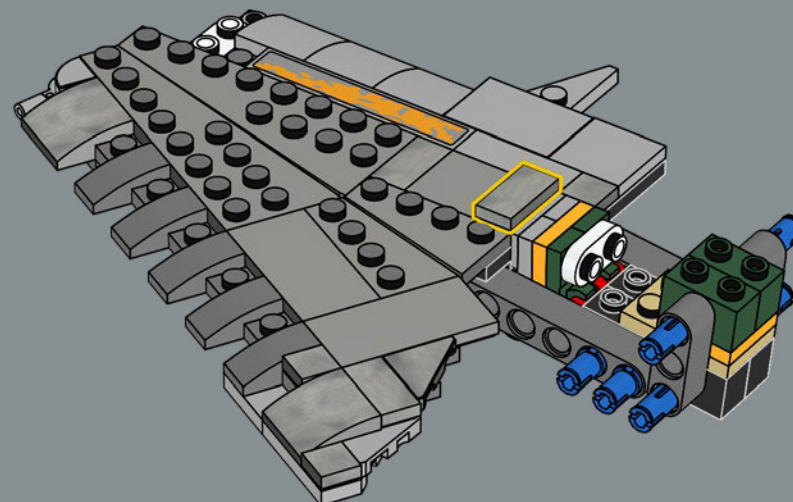
83

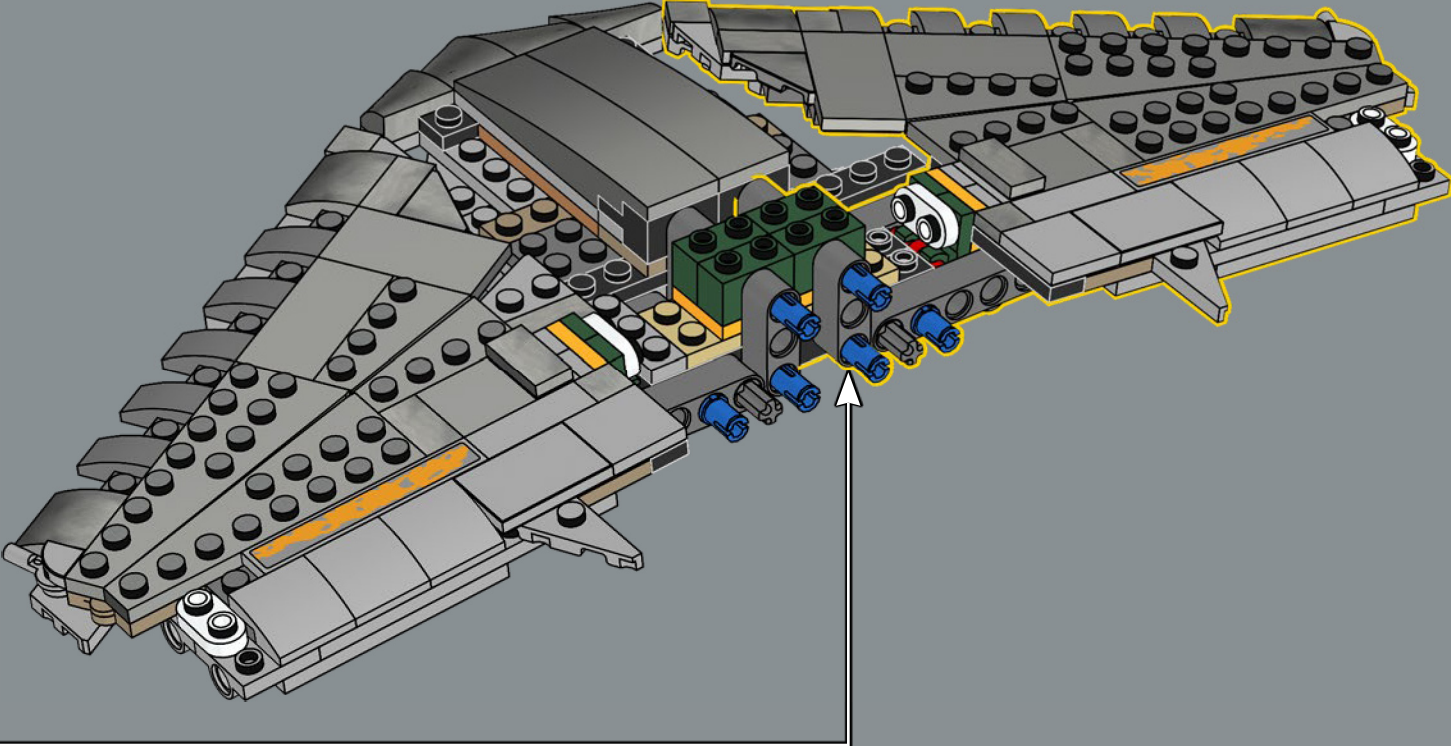


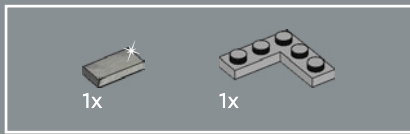
84



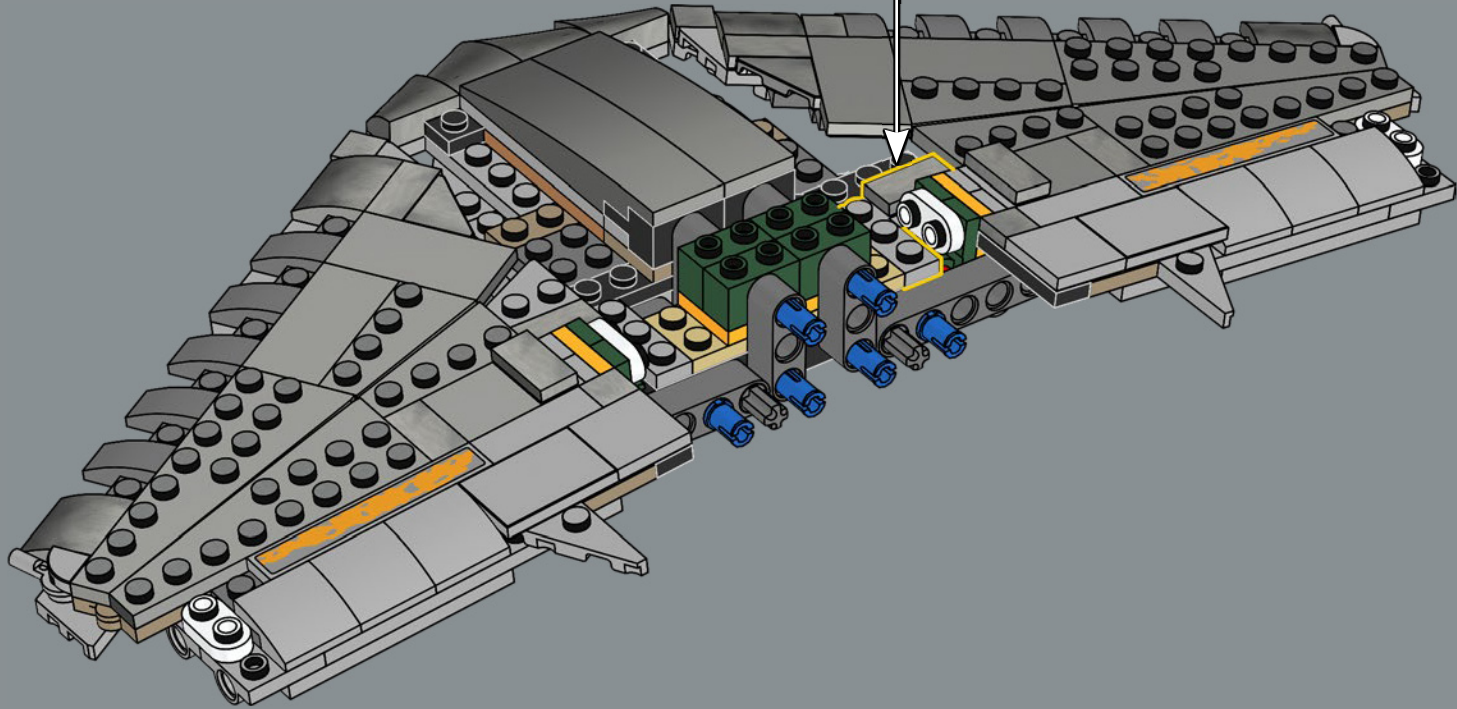
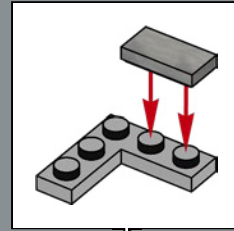
85







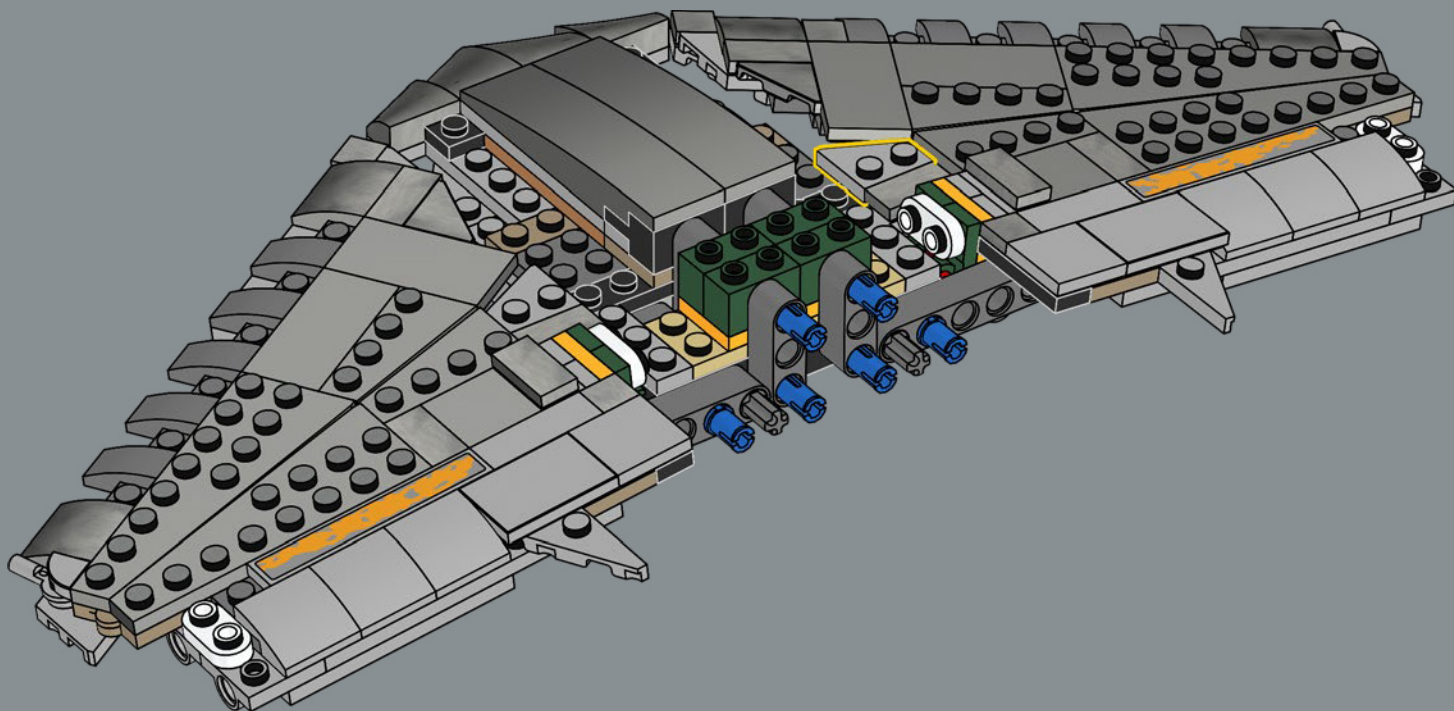
87

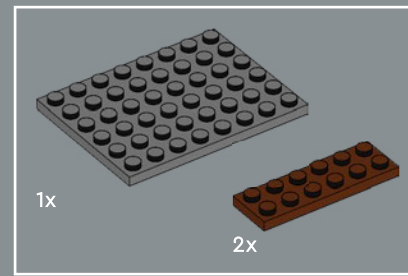
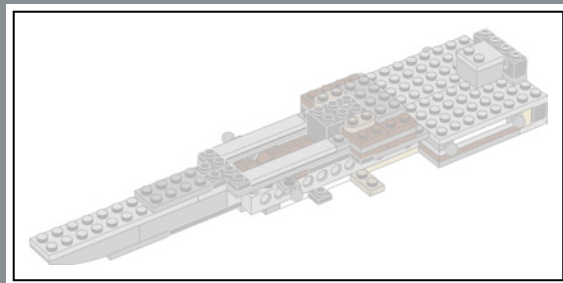




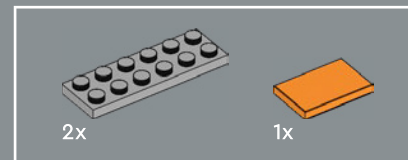
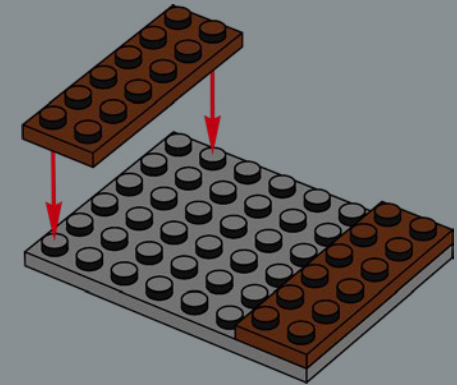
1x

88

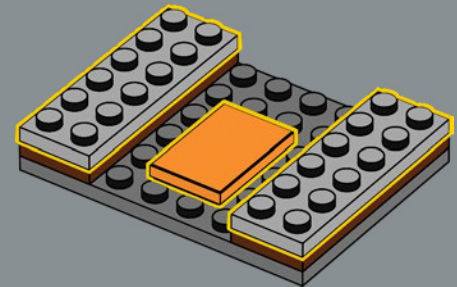


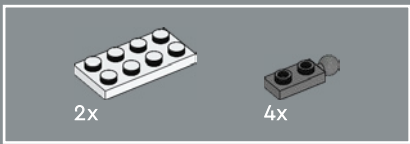


89

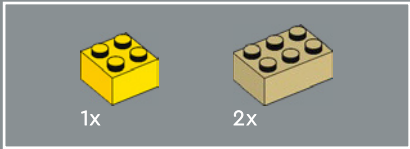
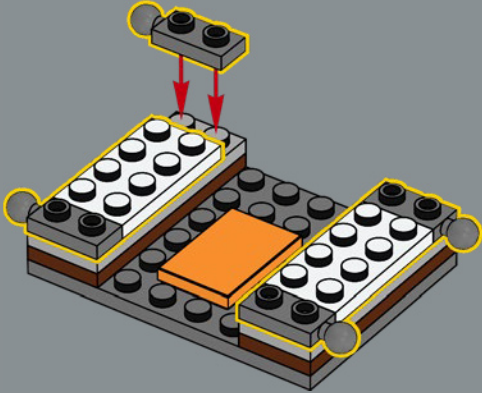


90

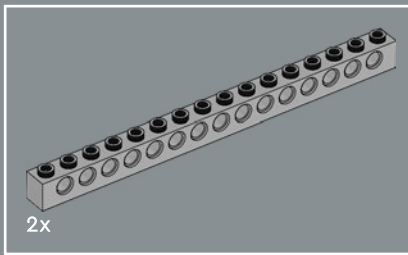
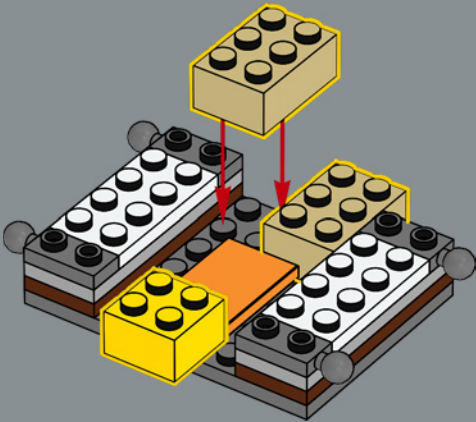




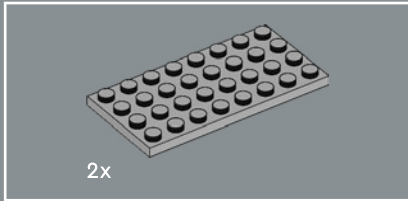
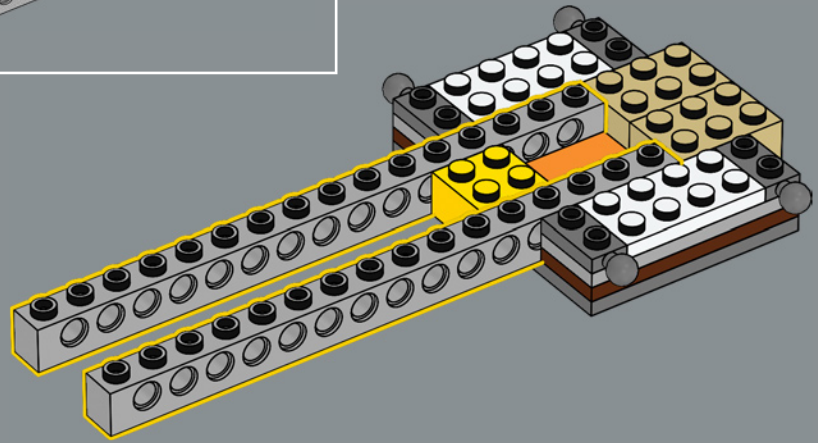
91



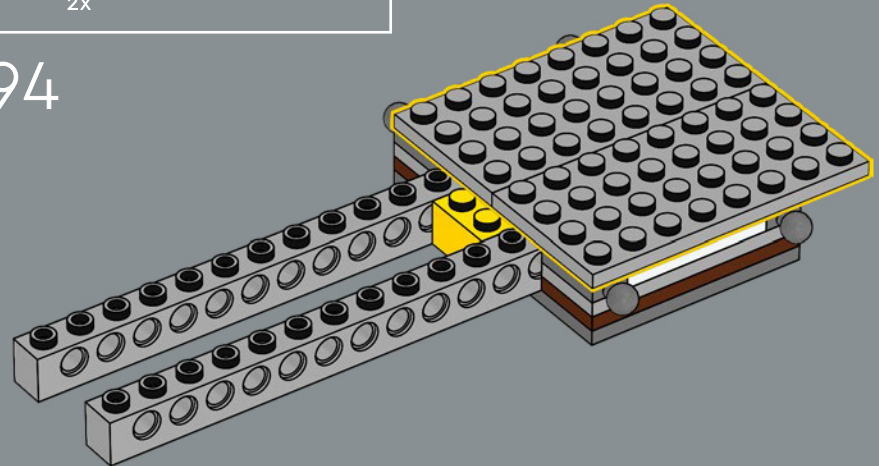
92



93

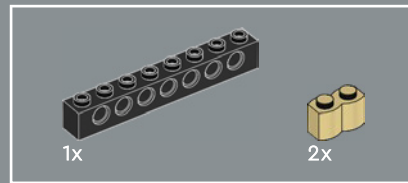
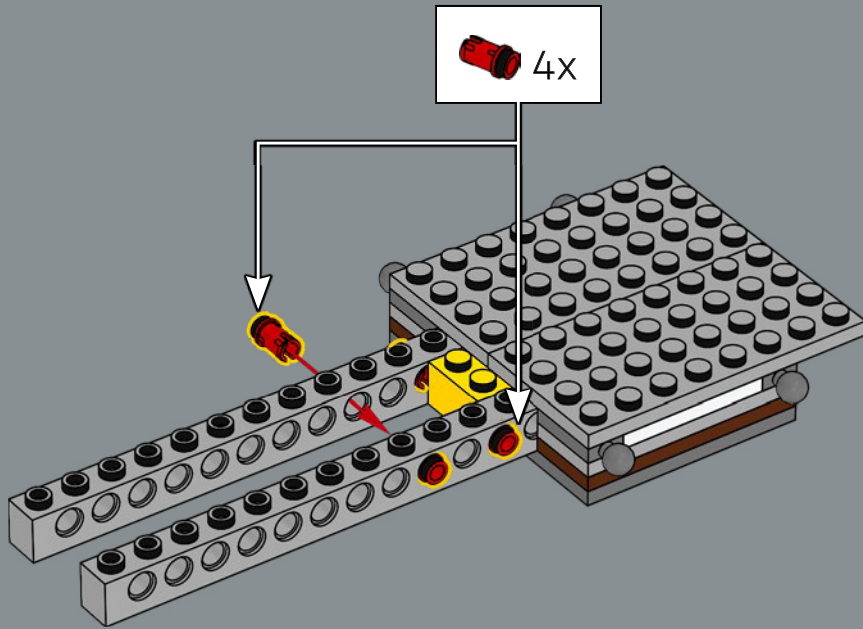


94

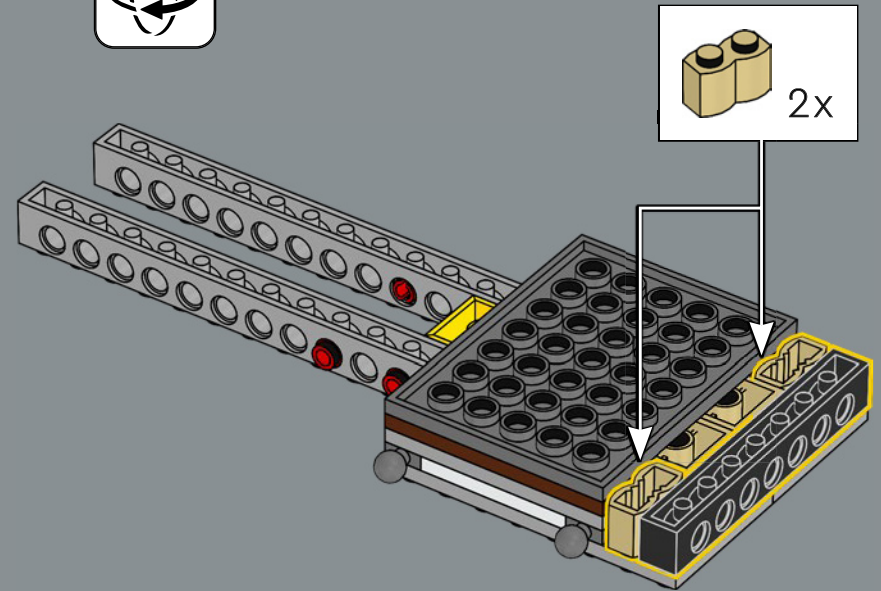


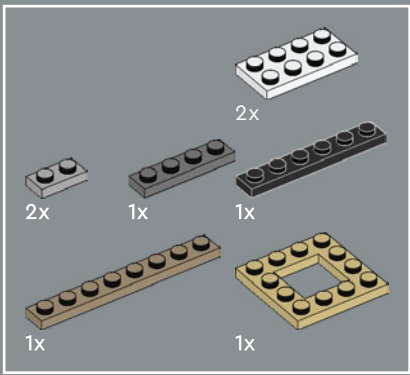


95

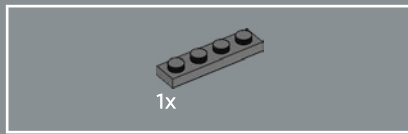
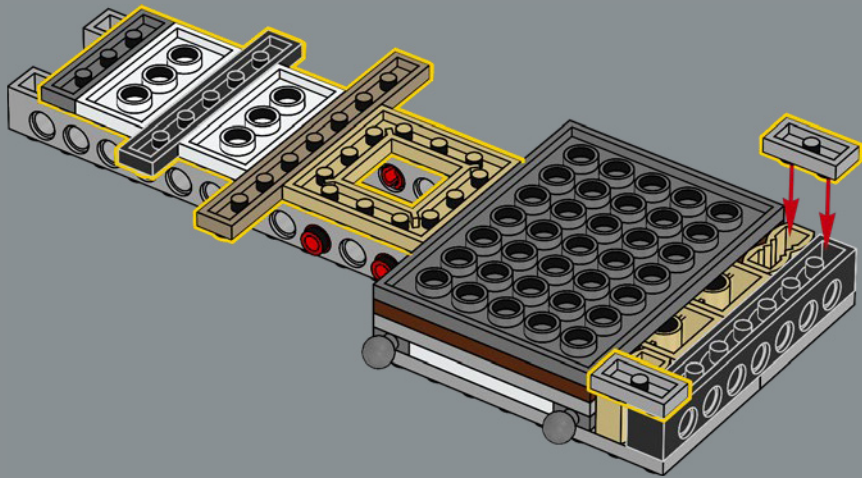


96

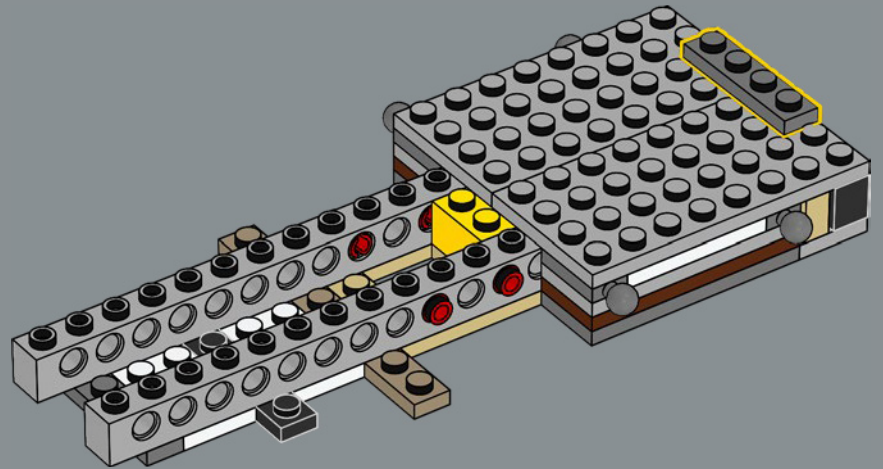


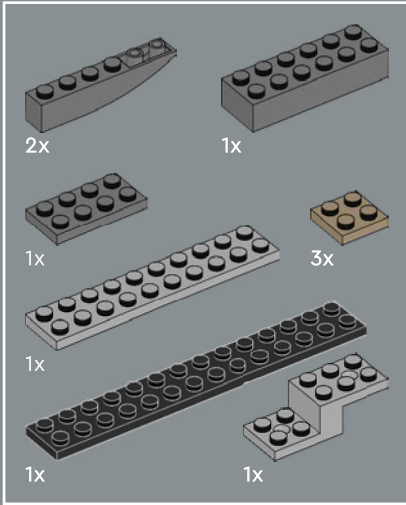
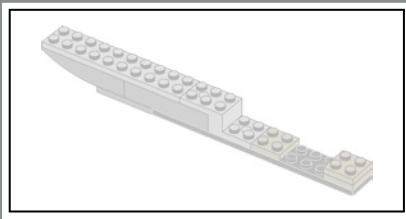


97

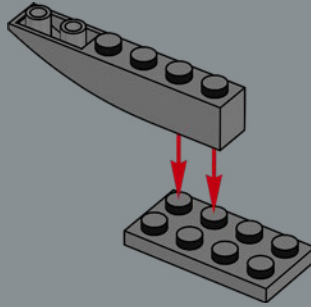


98

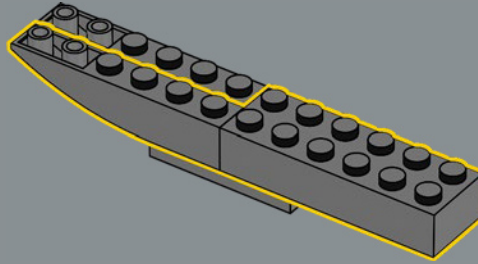




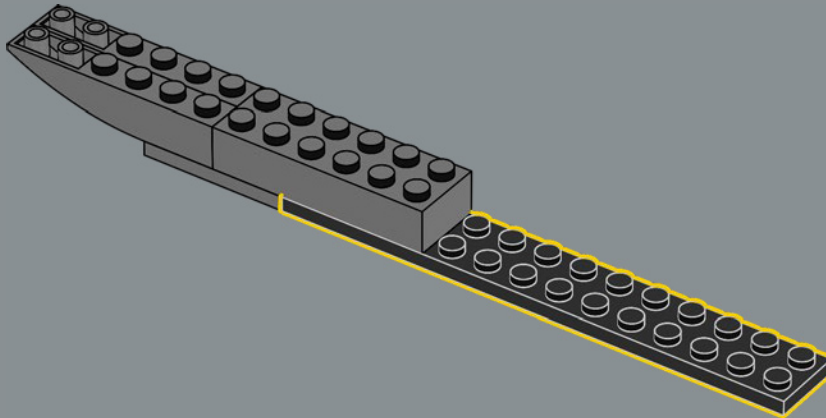
1



2

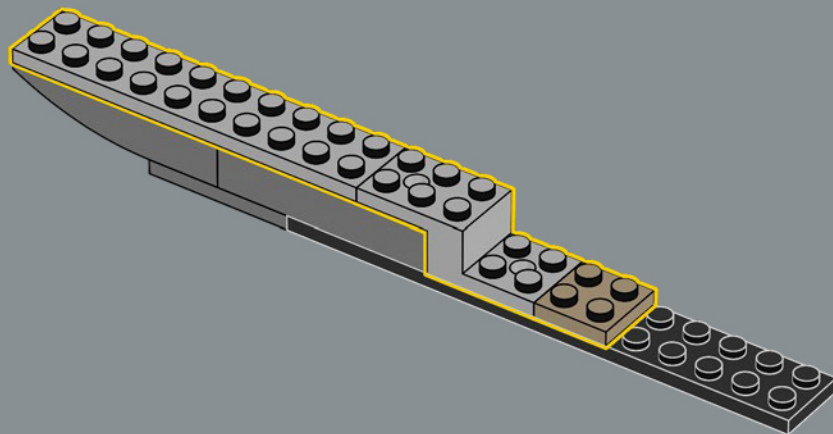


3

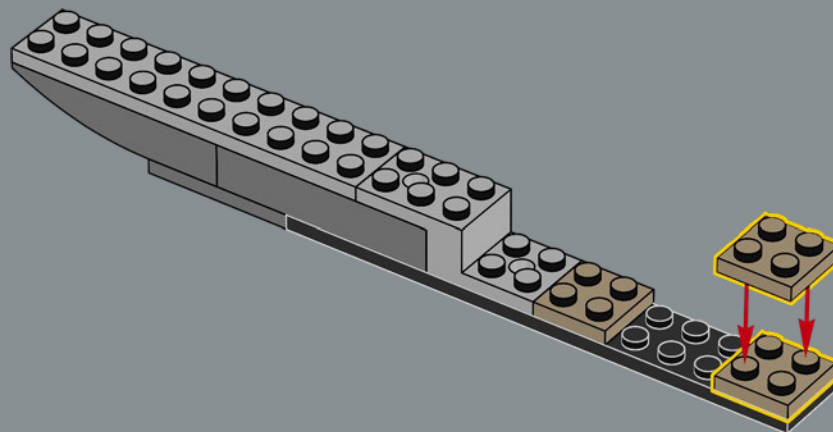


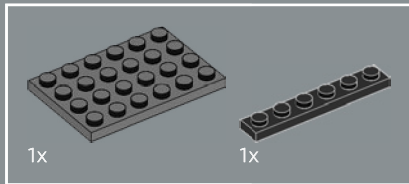
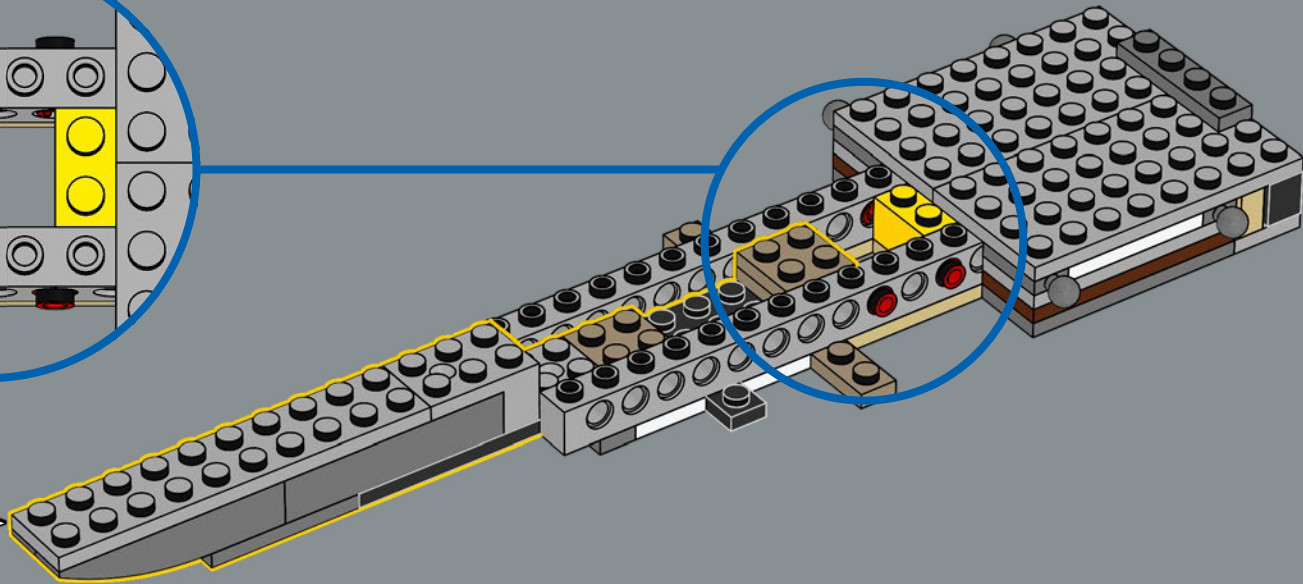
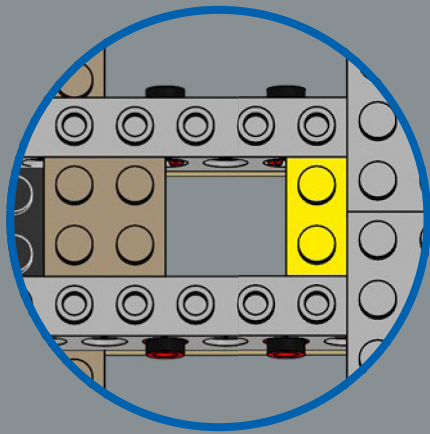
99

4

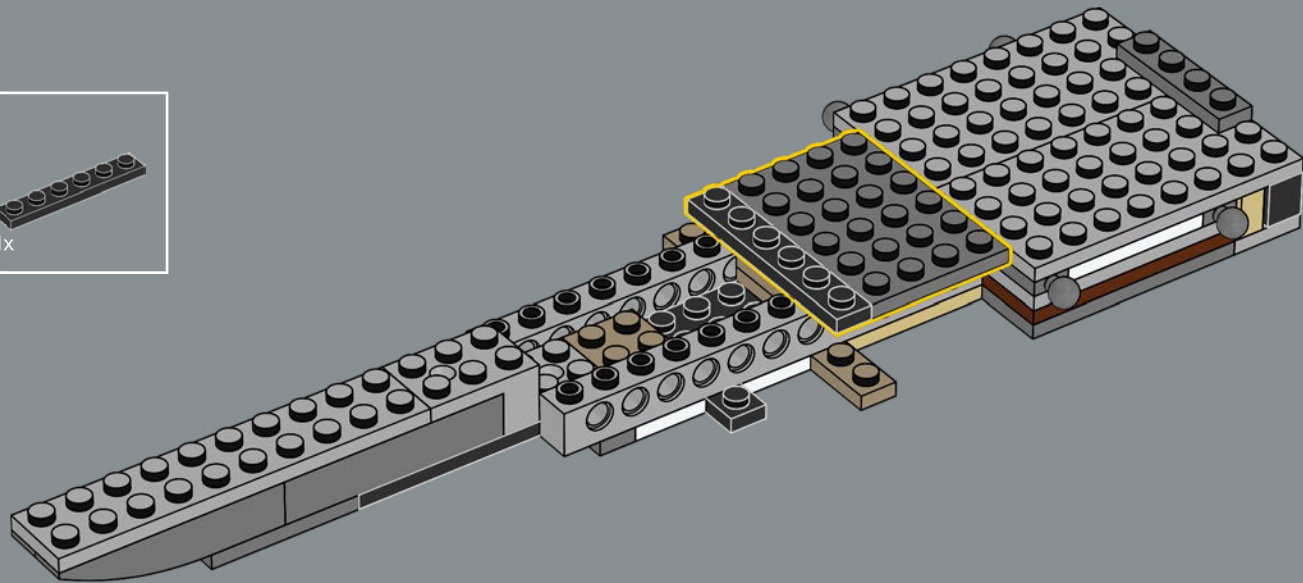


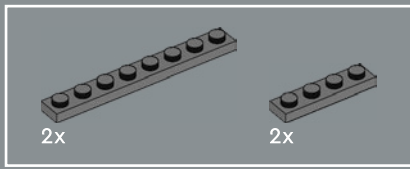
5



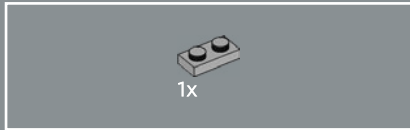
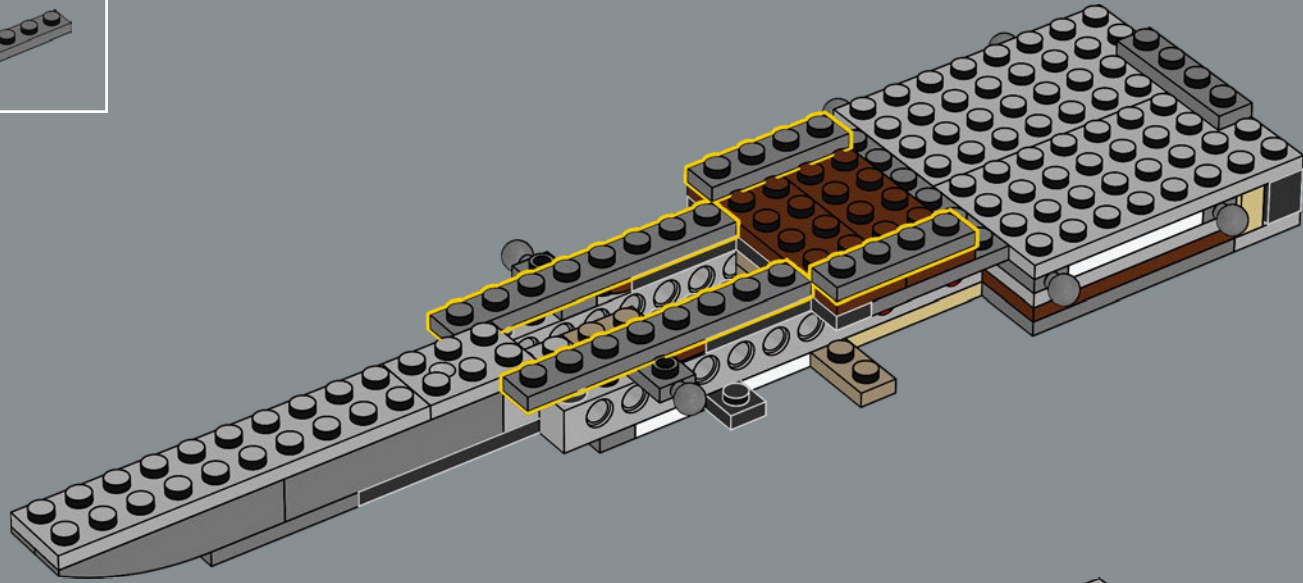


100

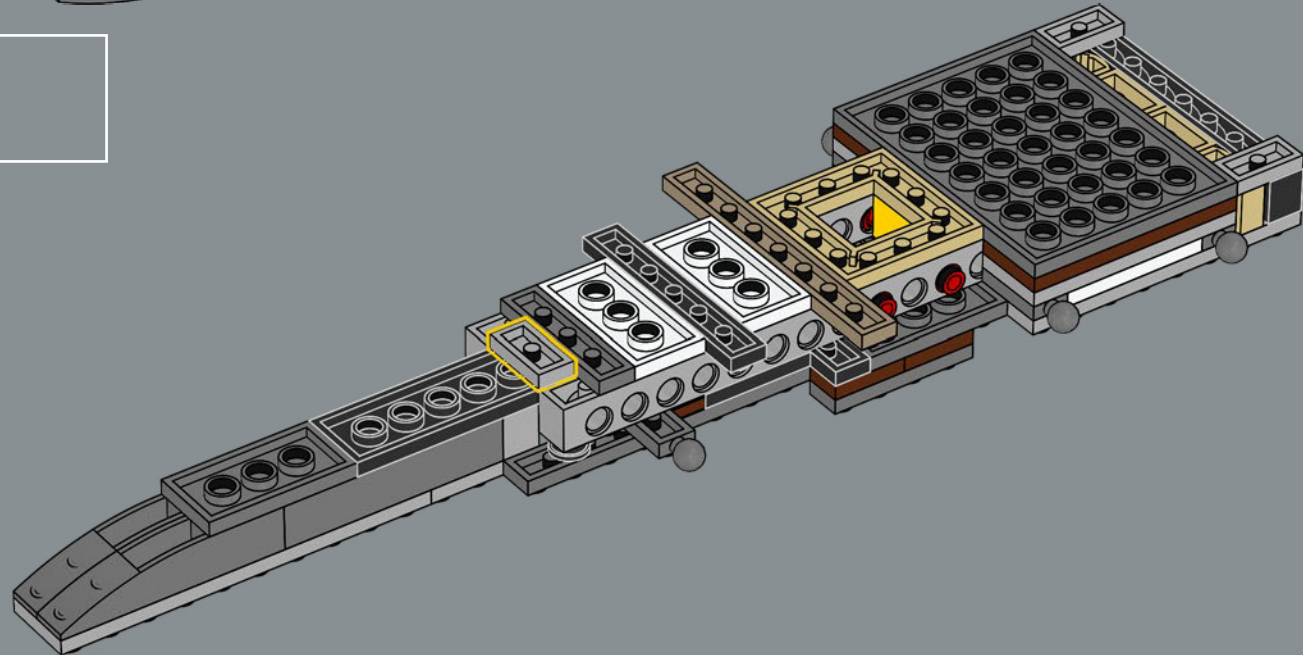


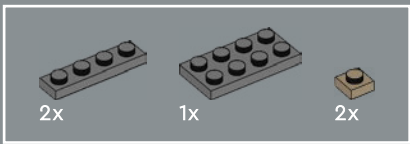


103

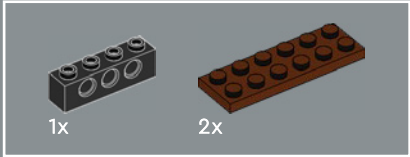
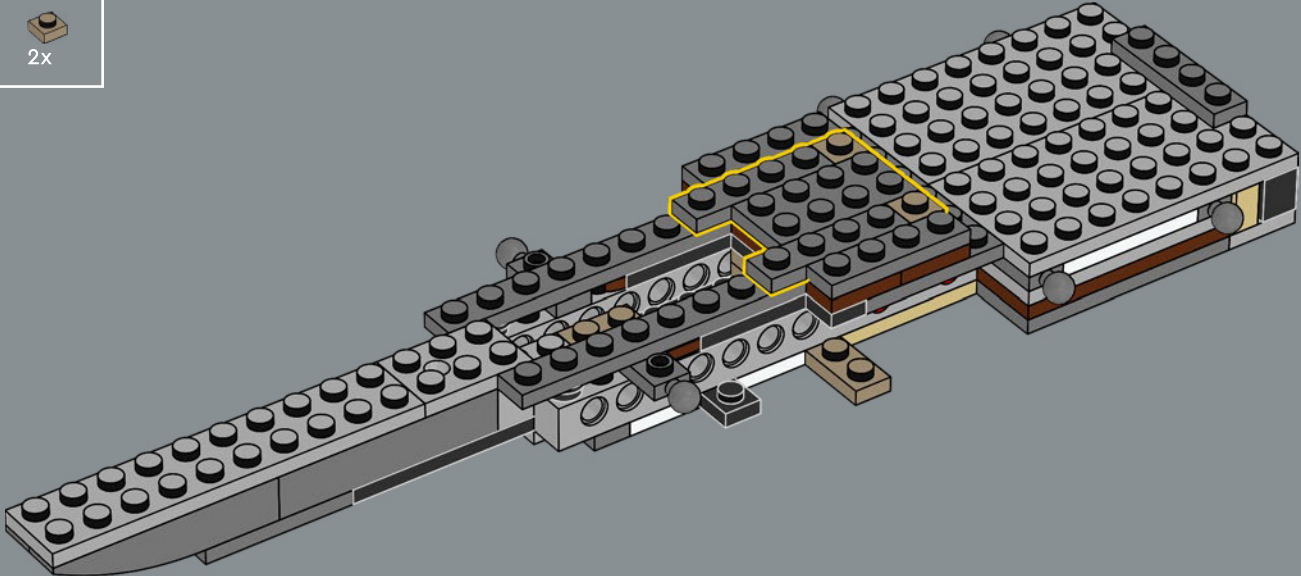


104

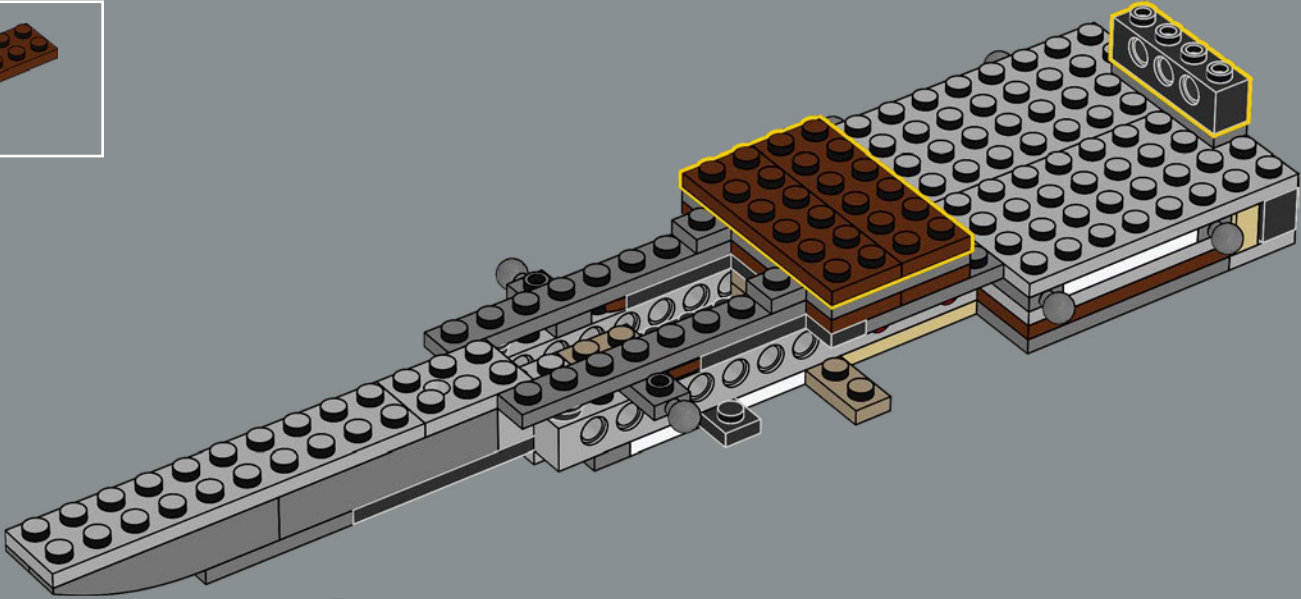


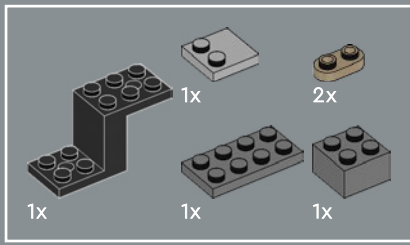


105

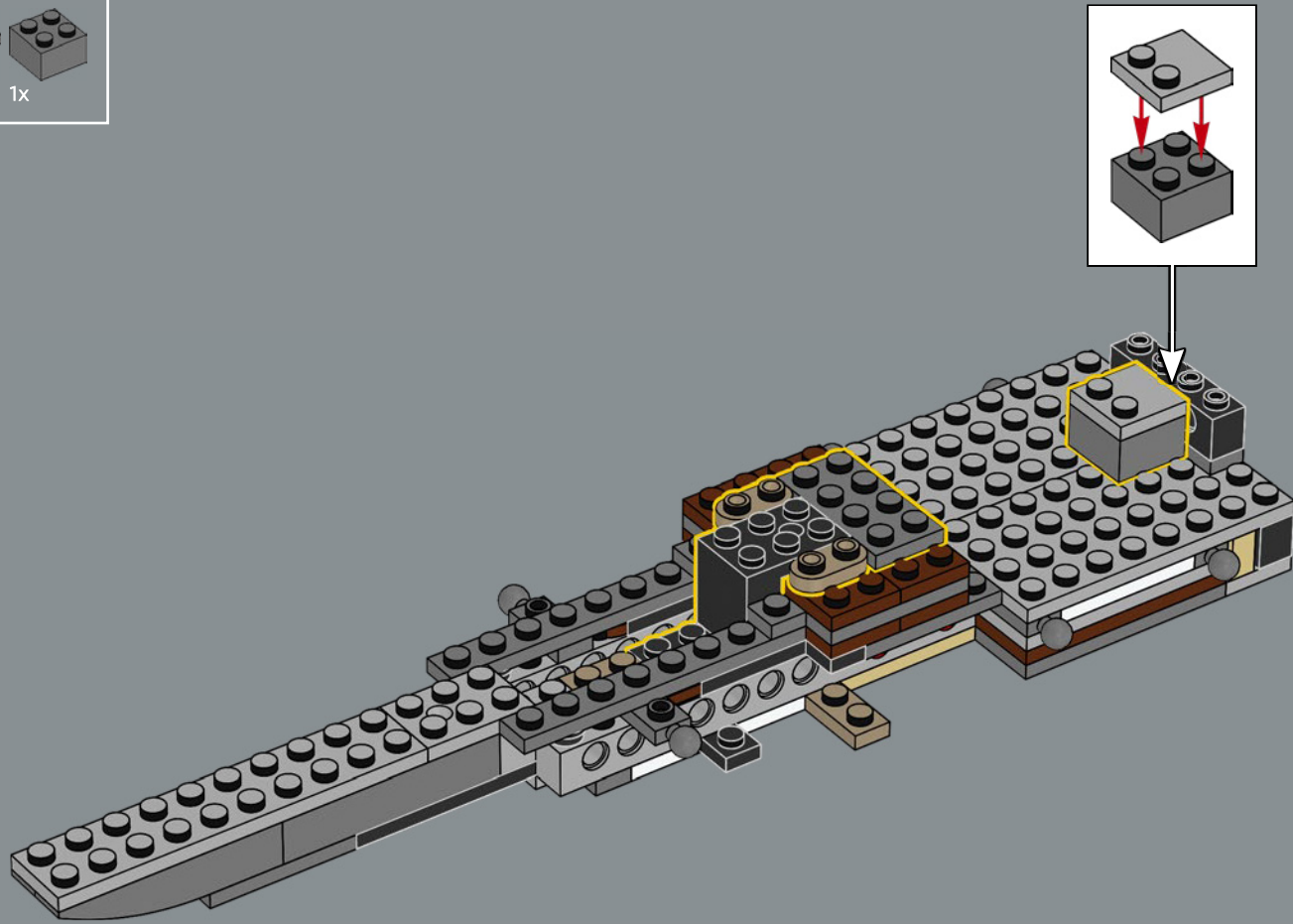


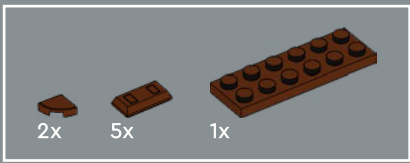
106



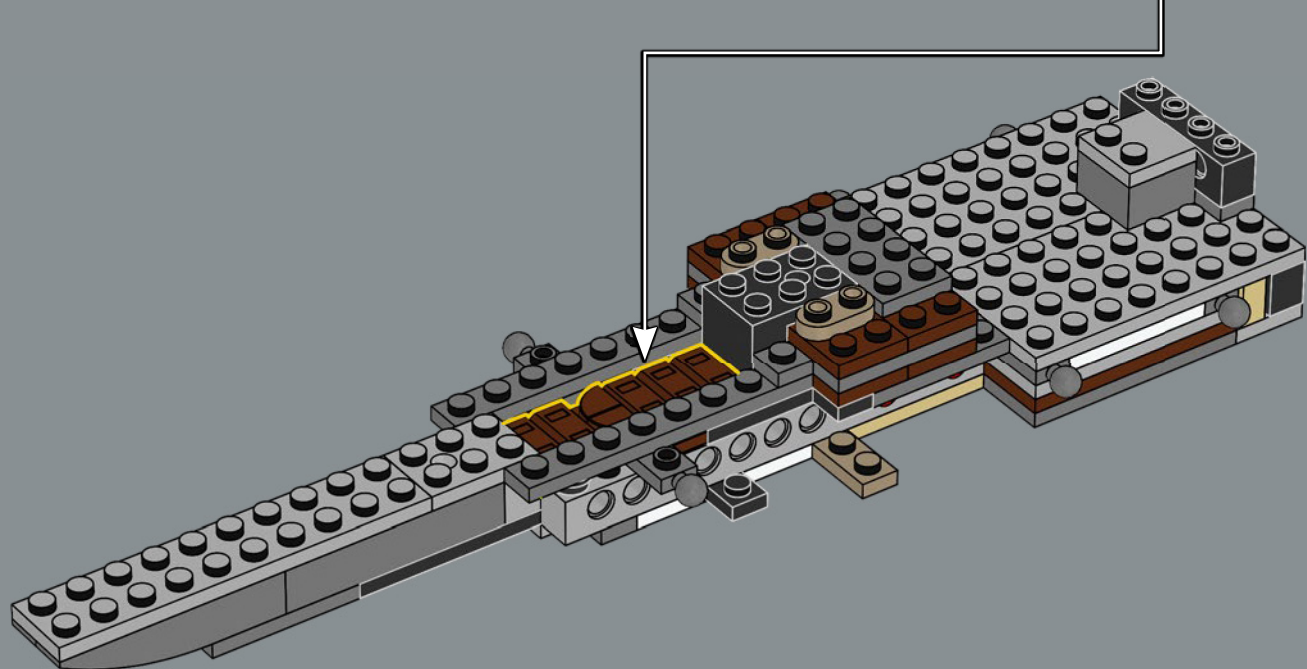
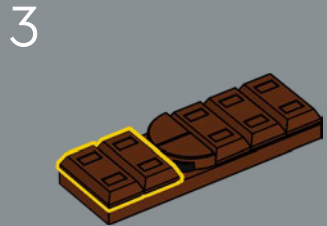
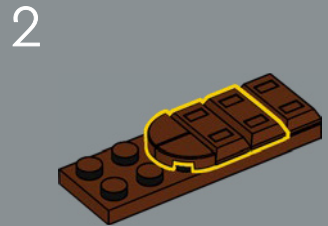
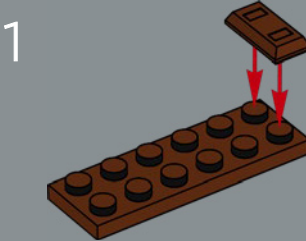


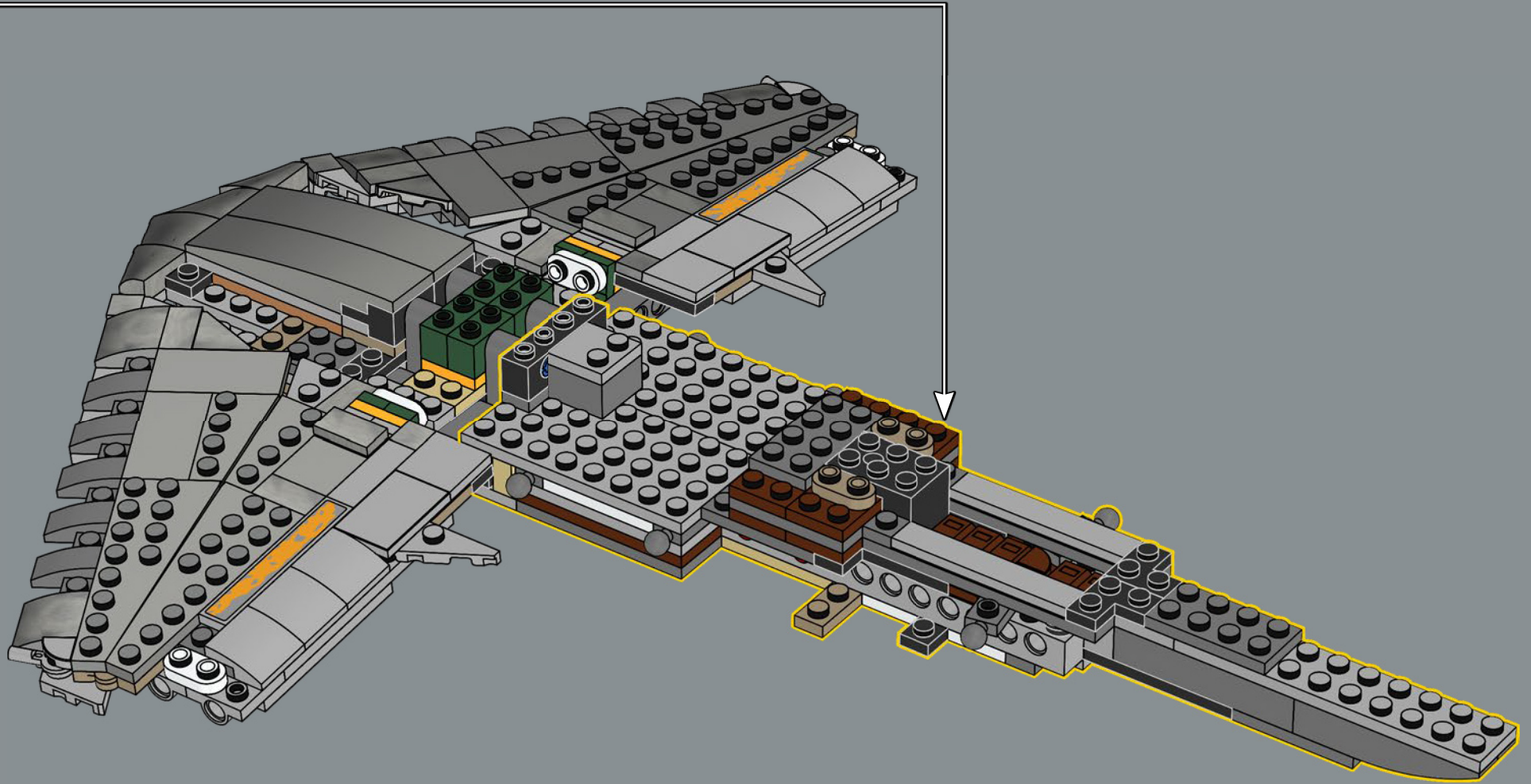
107



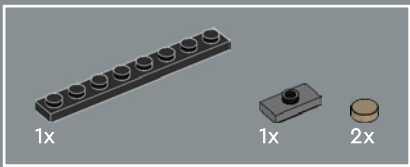


108

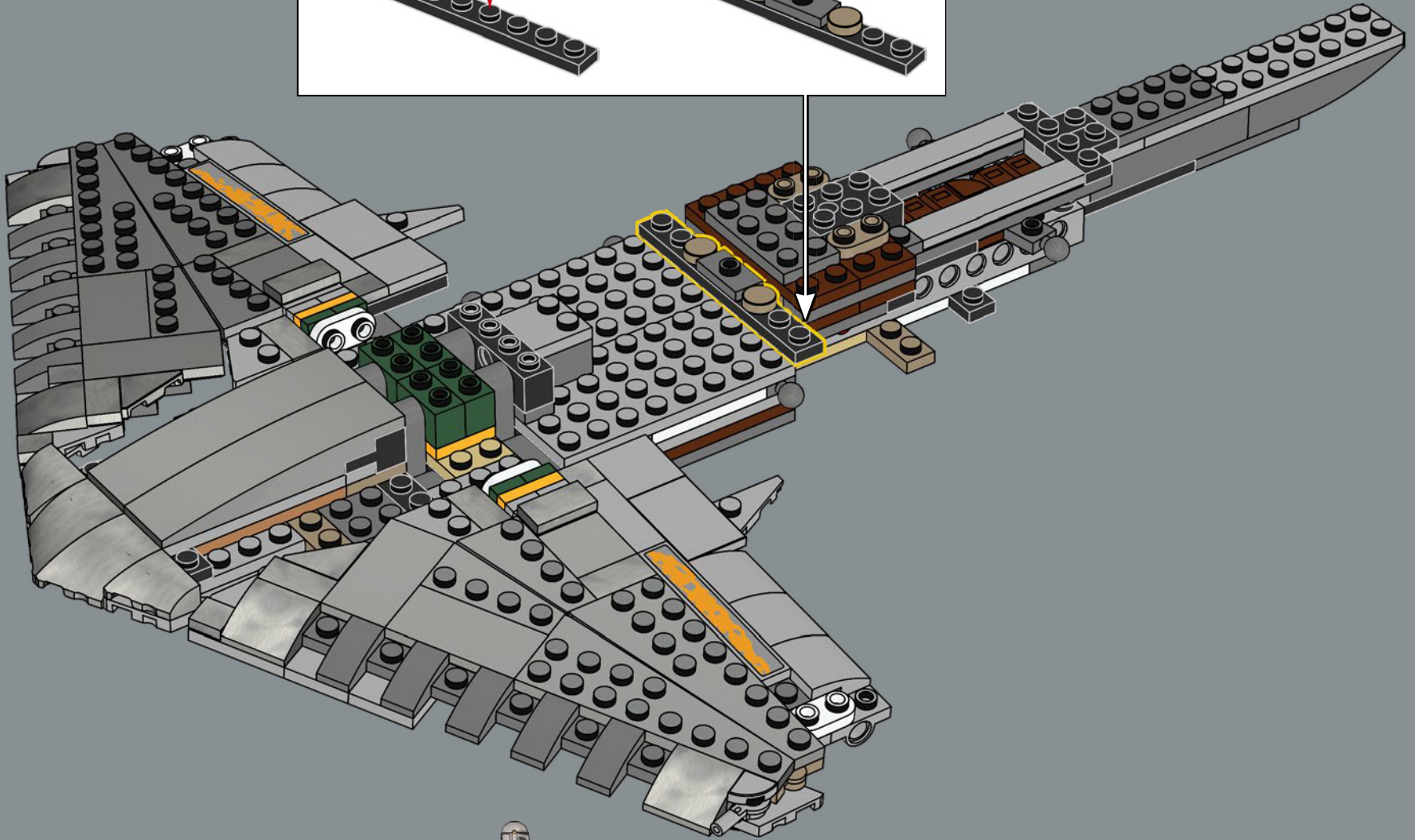
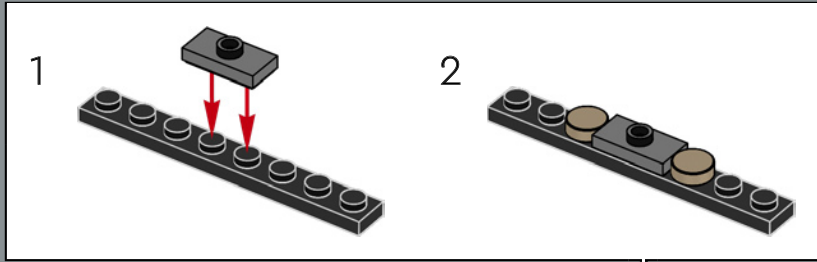


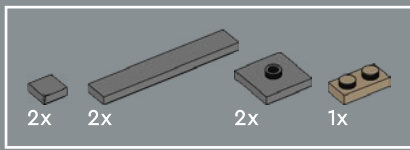




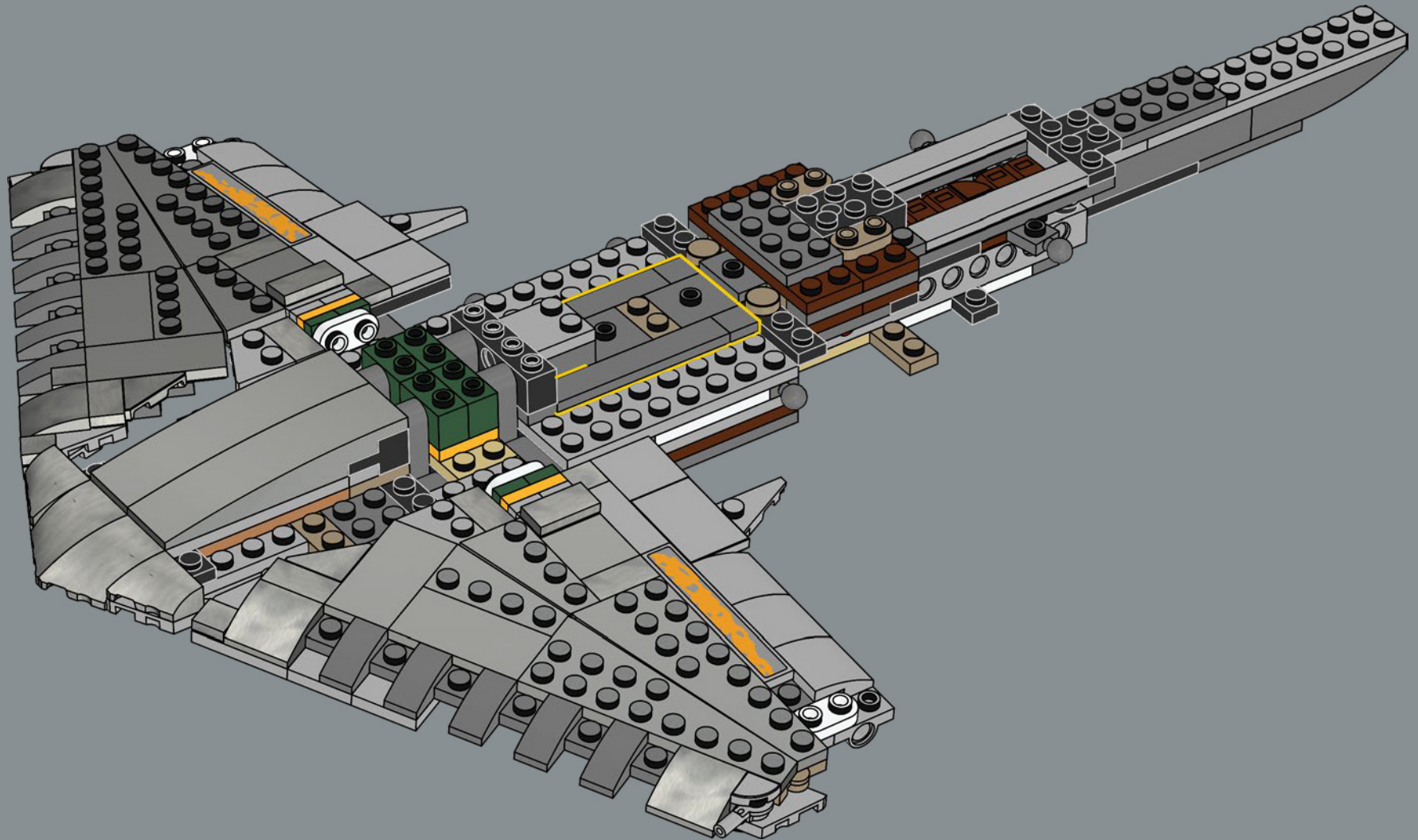


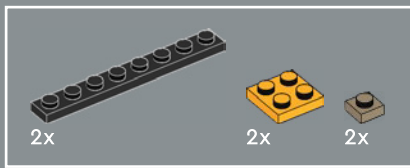
111



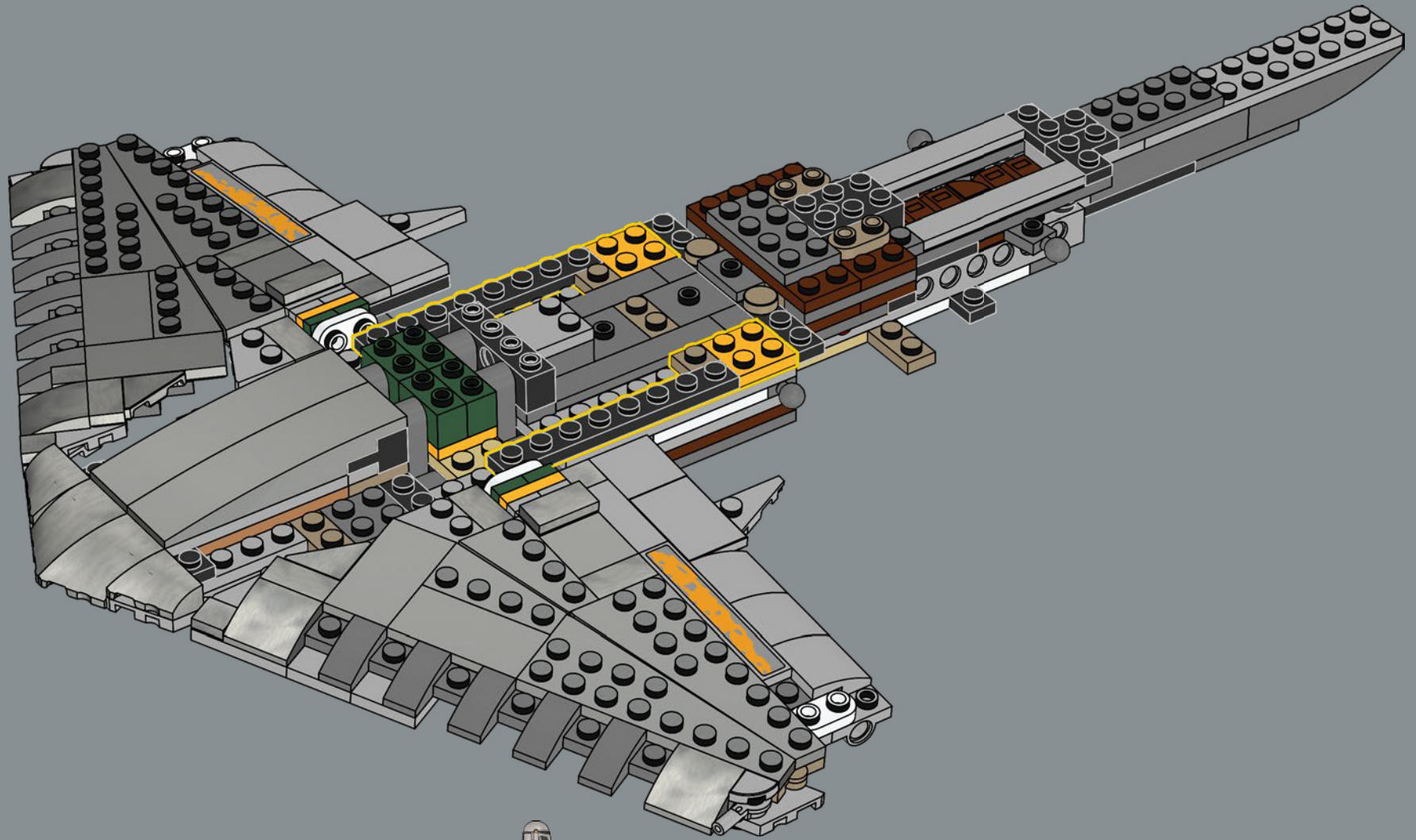


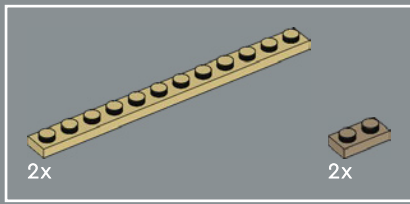
112



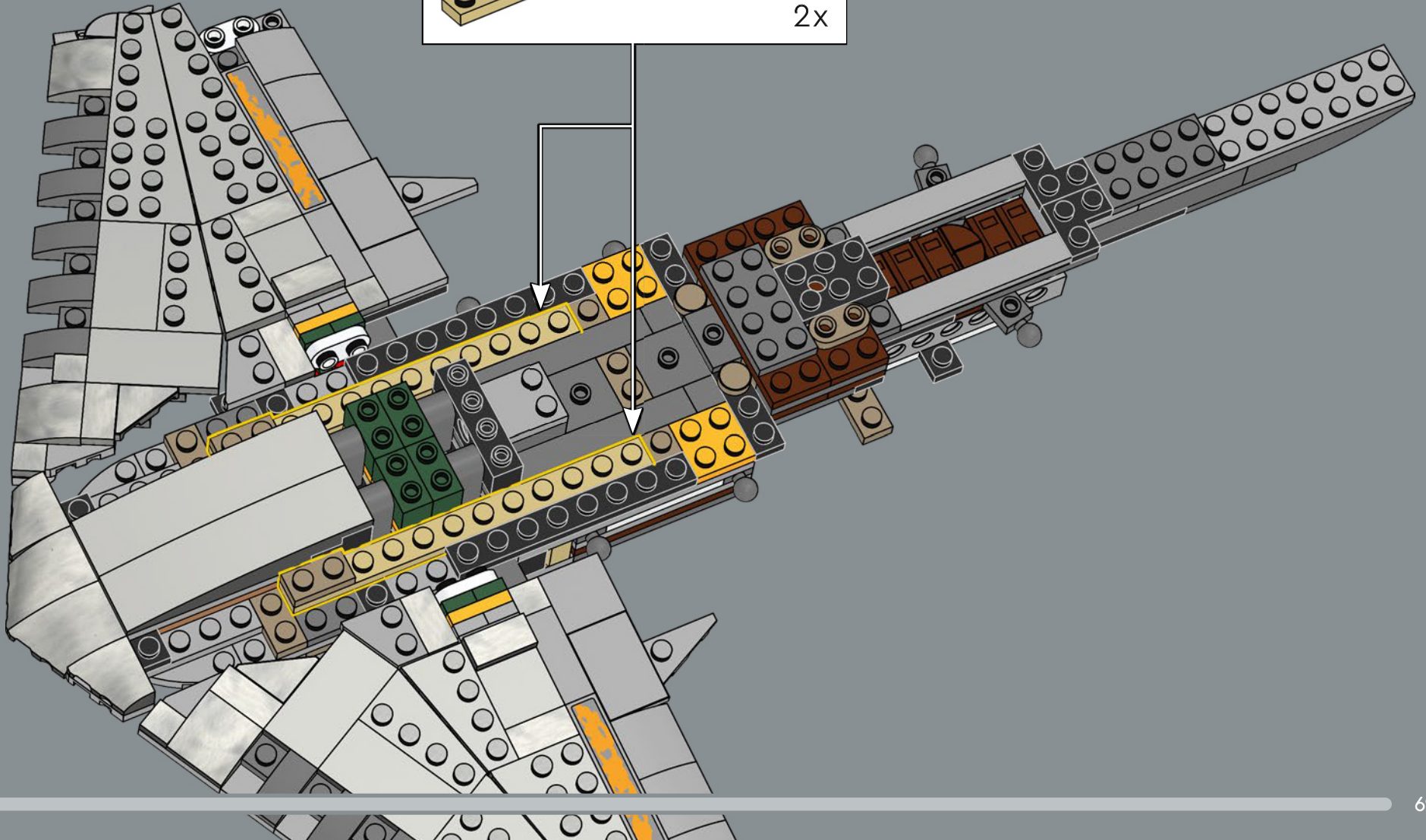
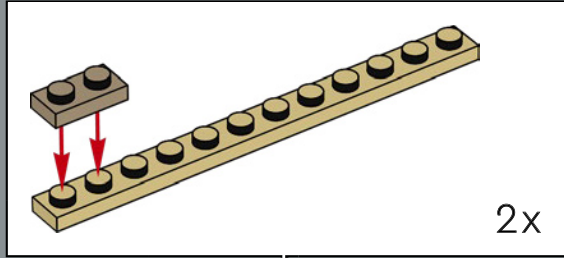


113



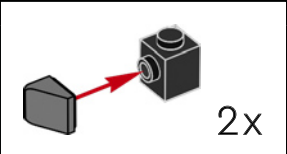
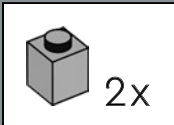
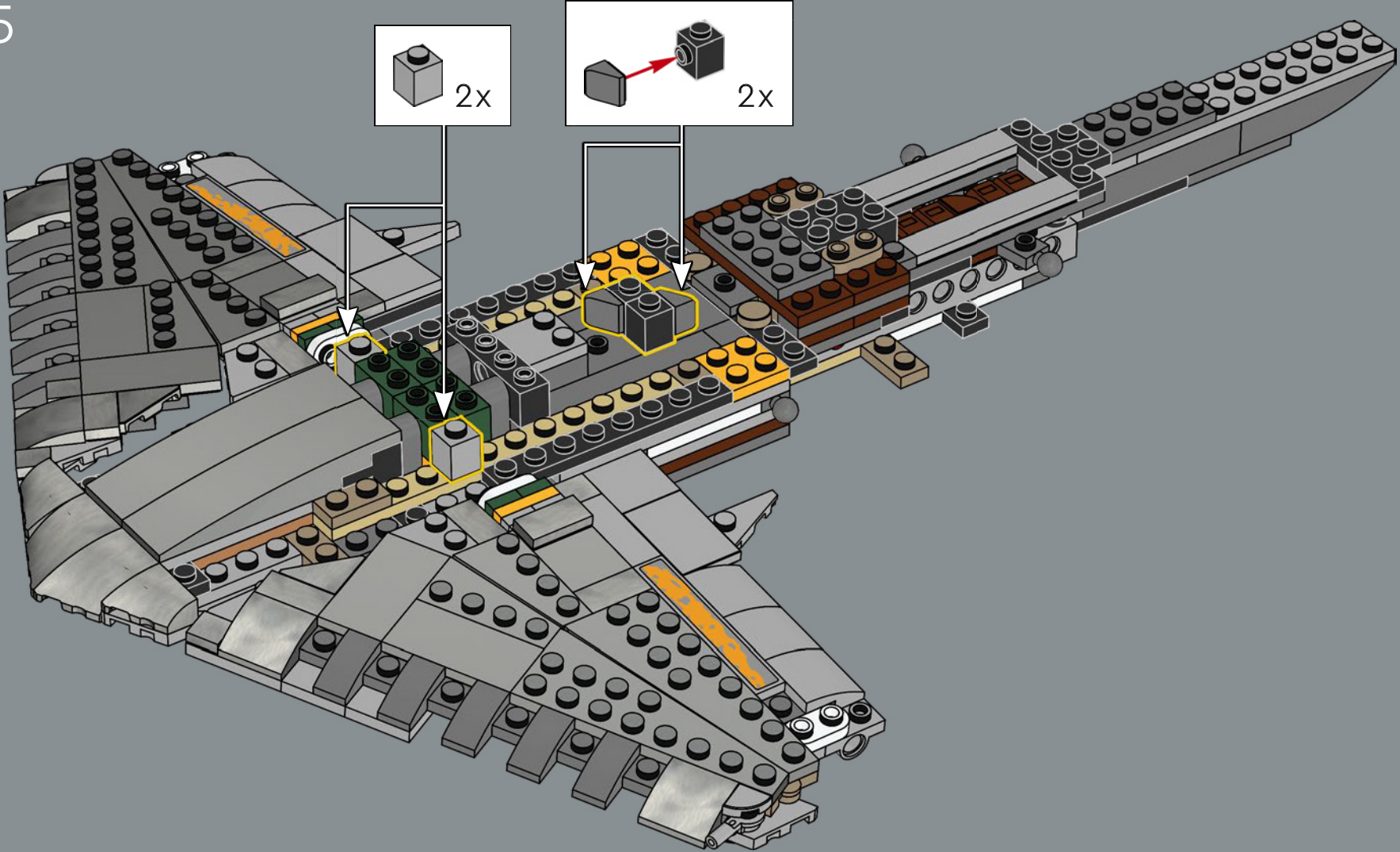


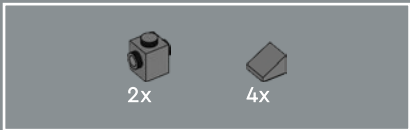
114



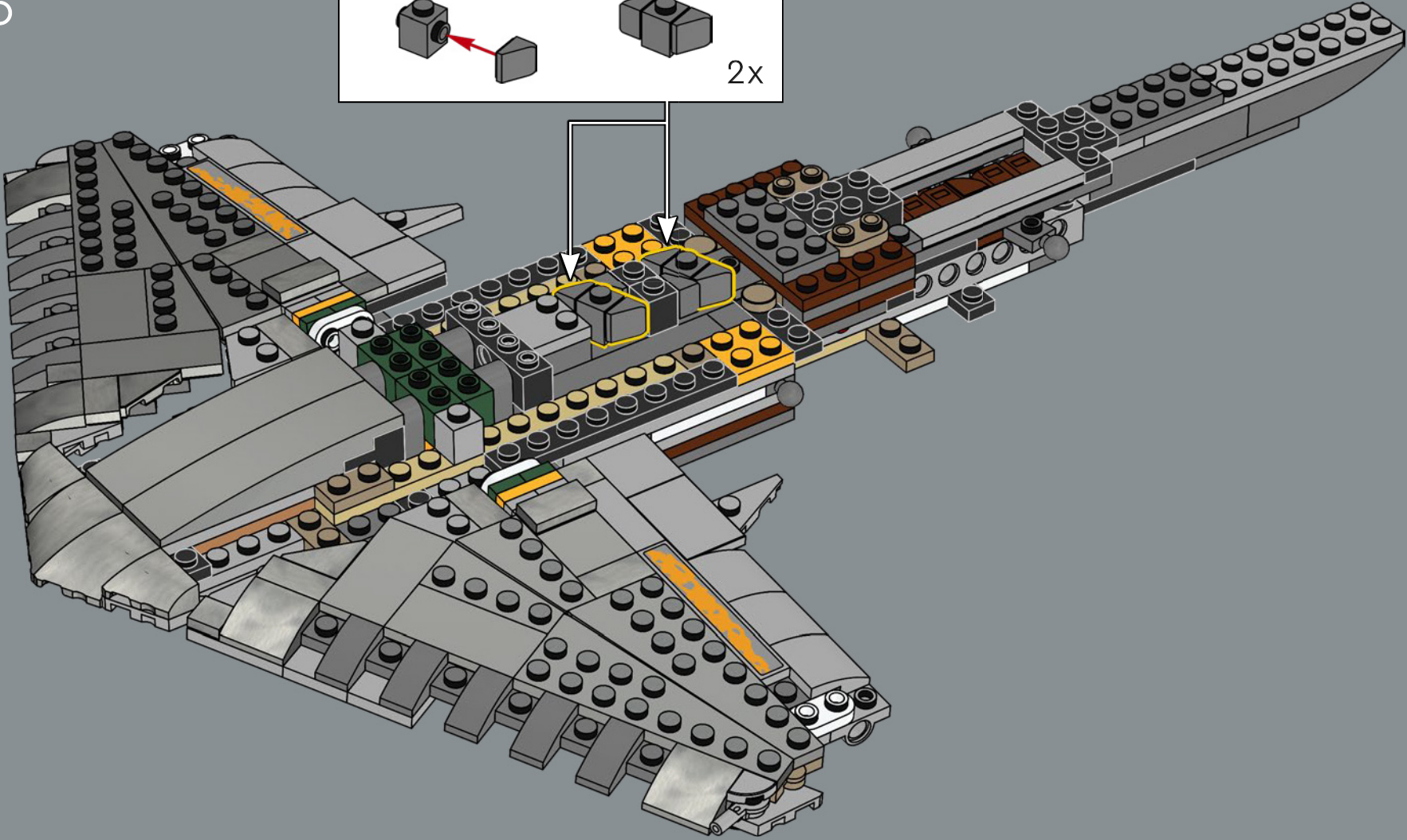
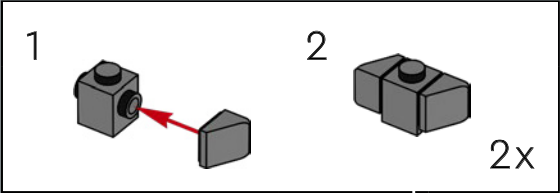


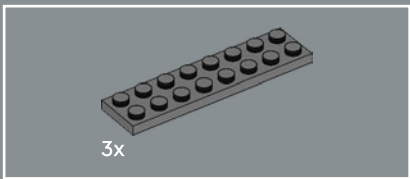
115



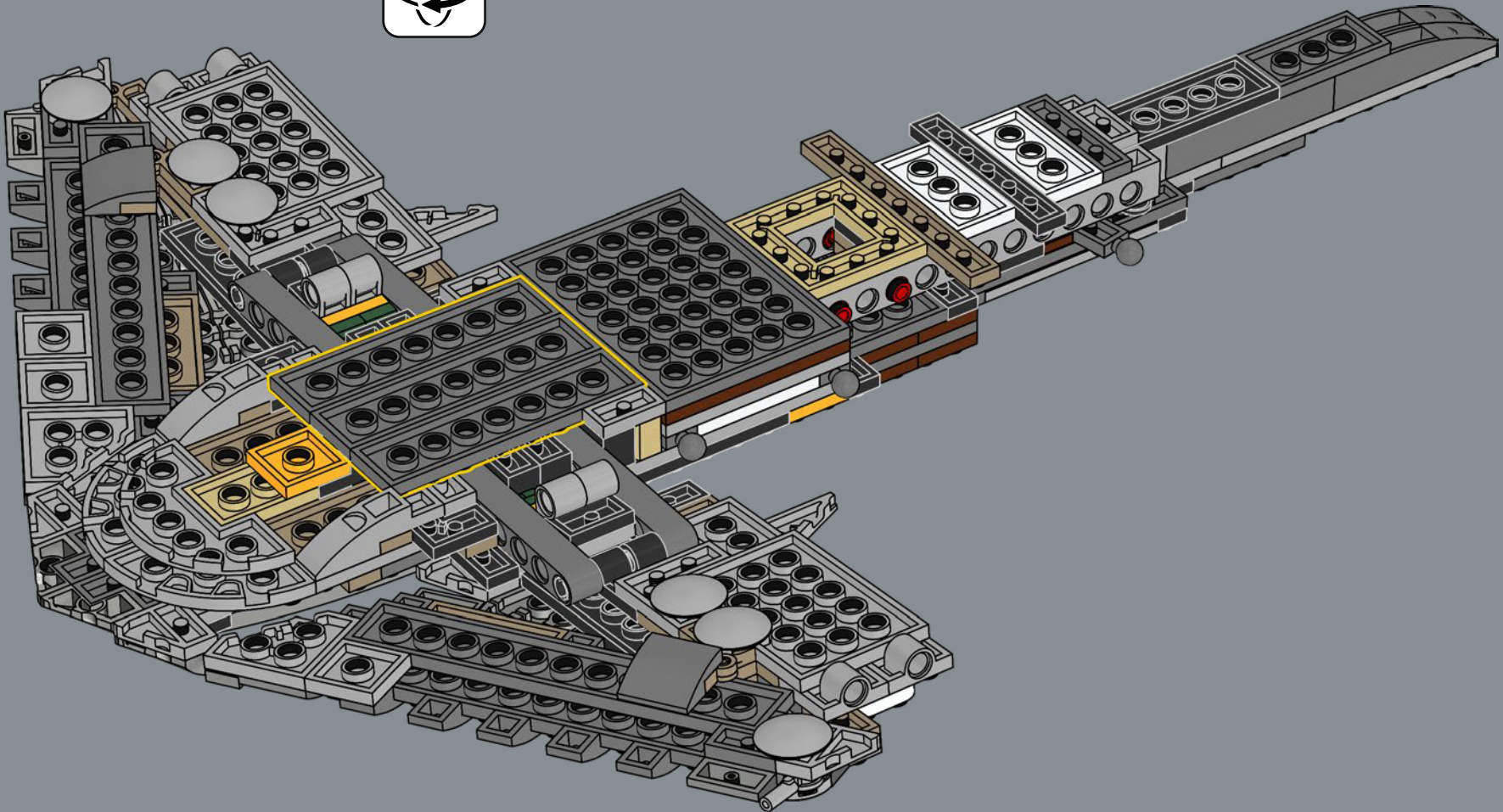


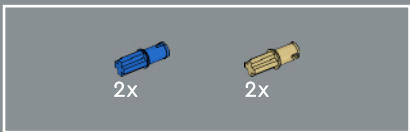
116



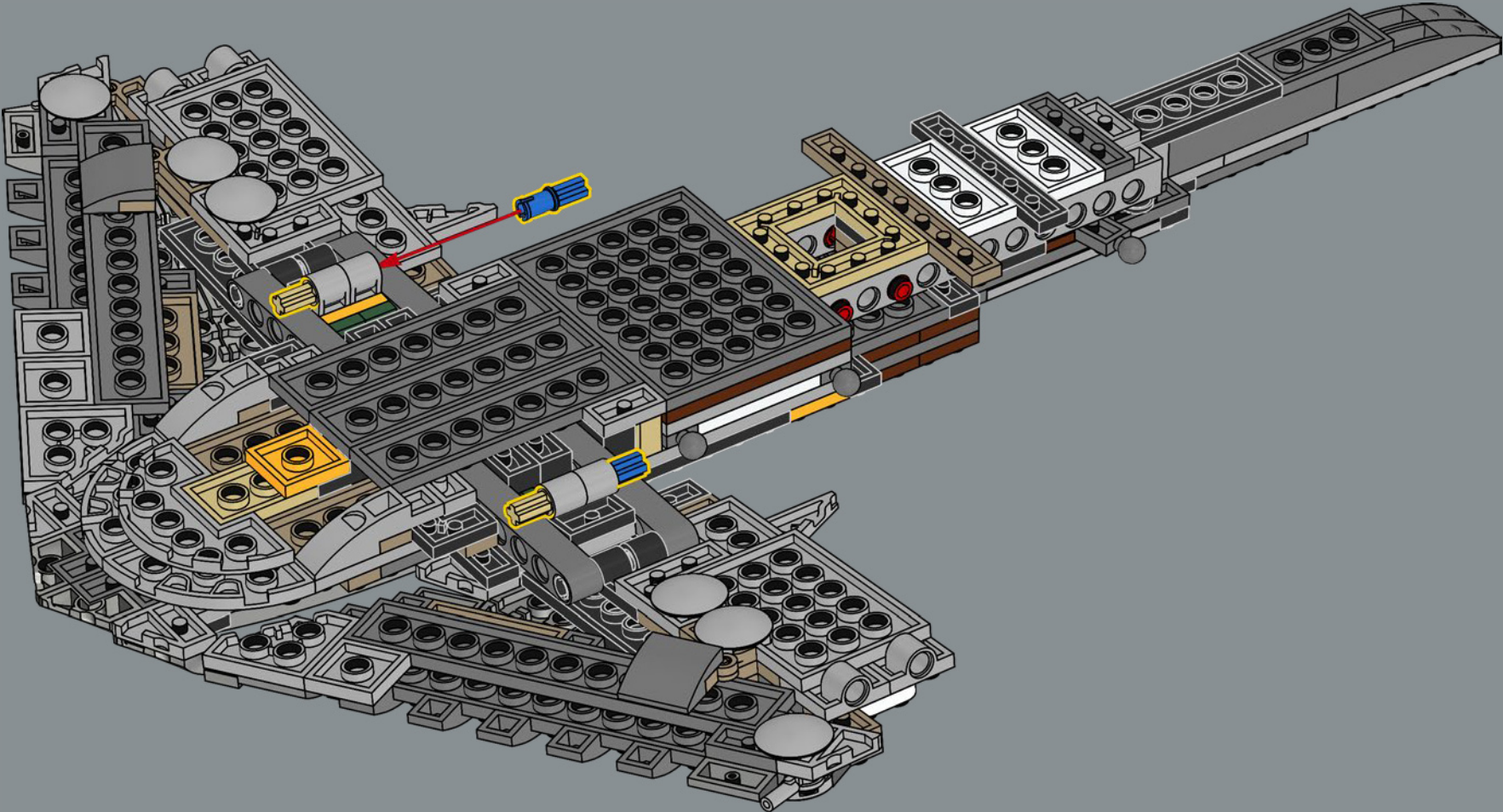


117





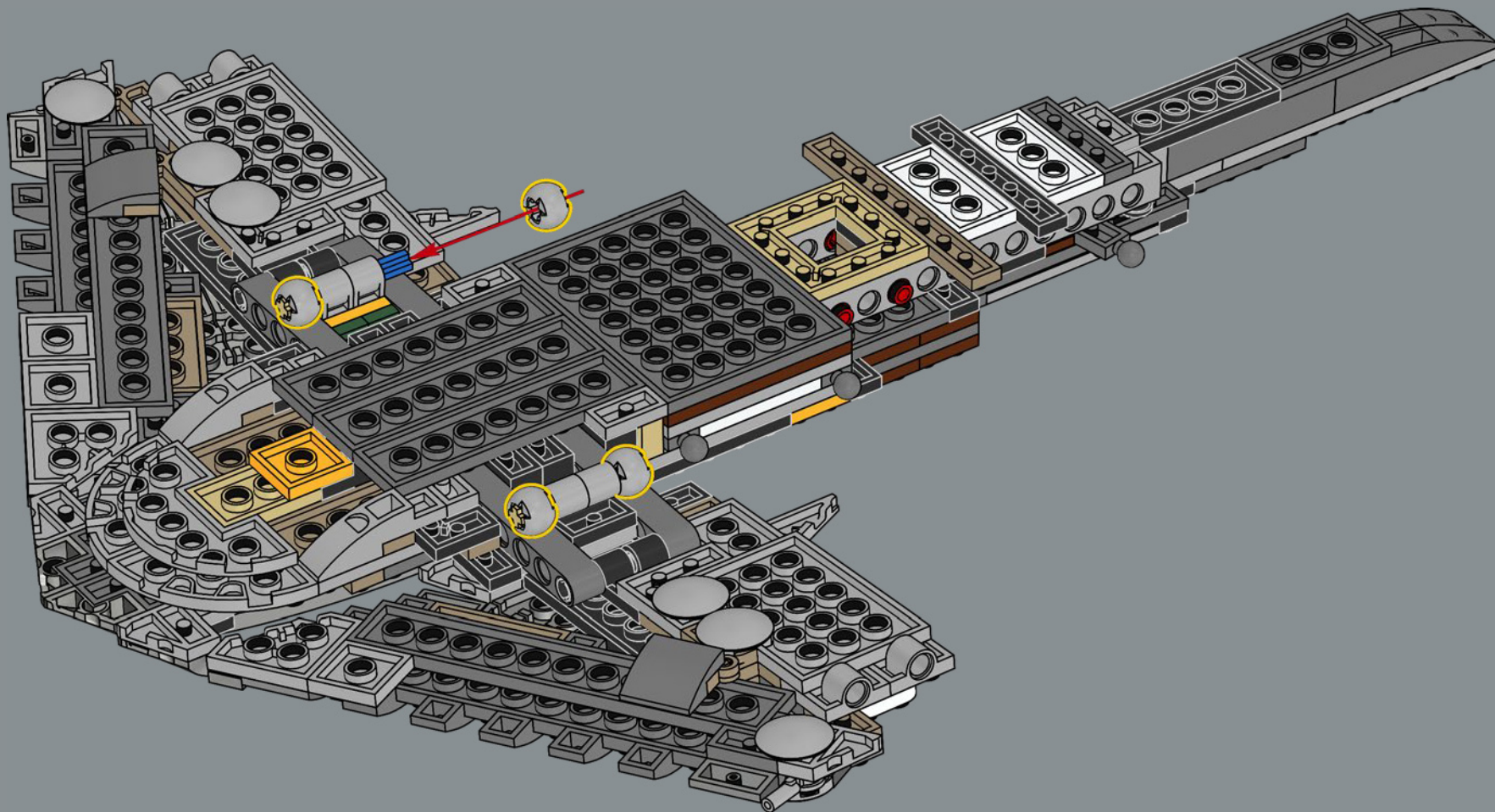
118

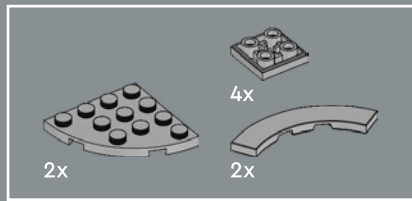




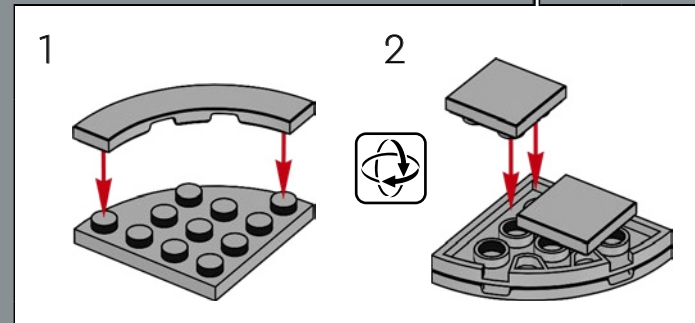
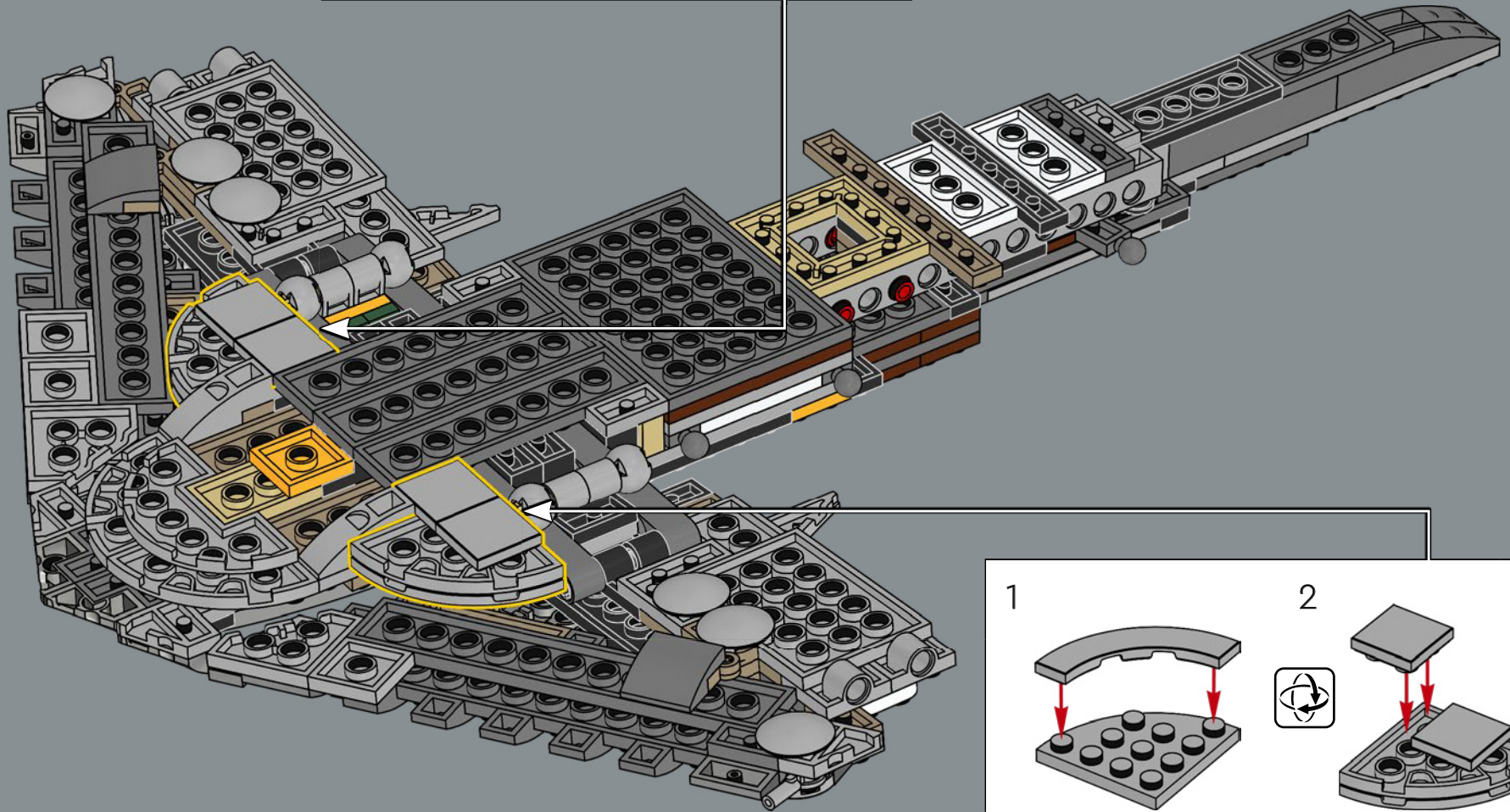
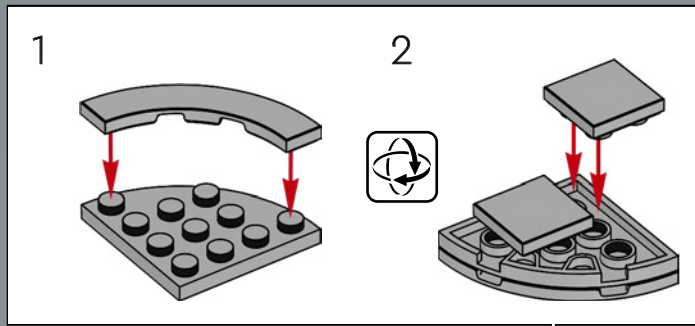
4x

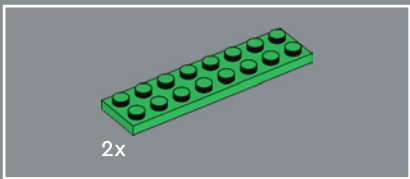
119



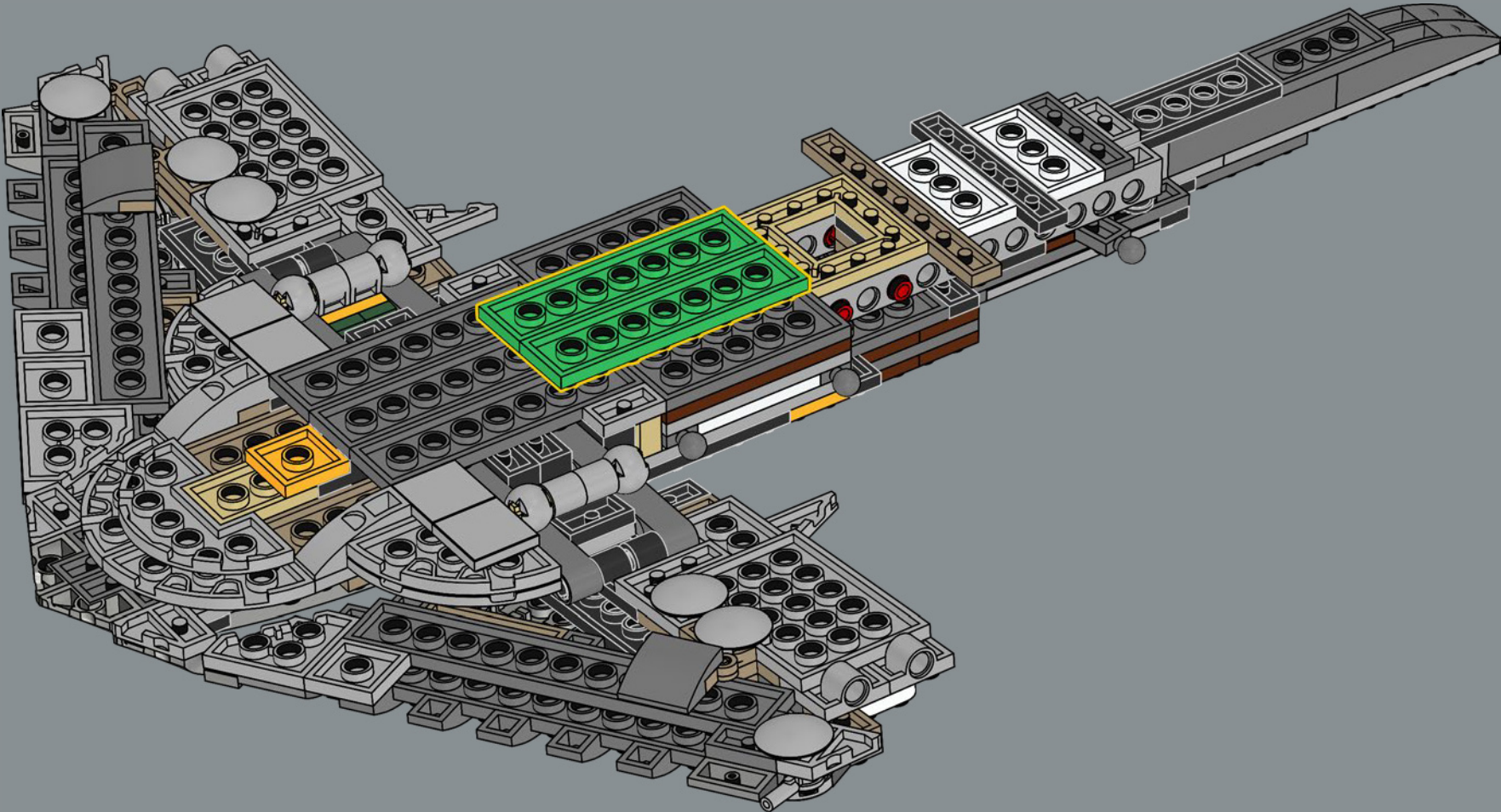


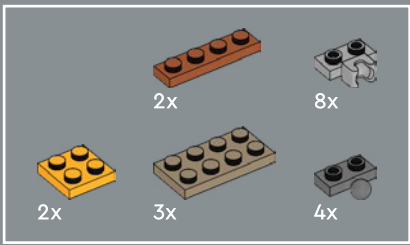
120



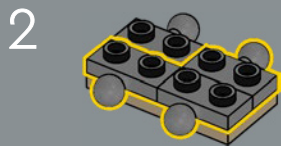
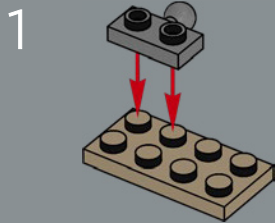


121

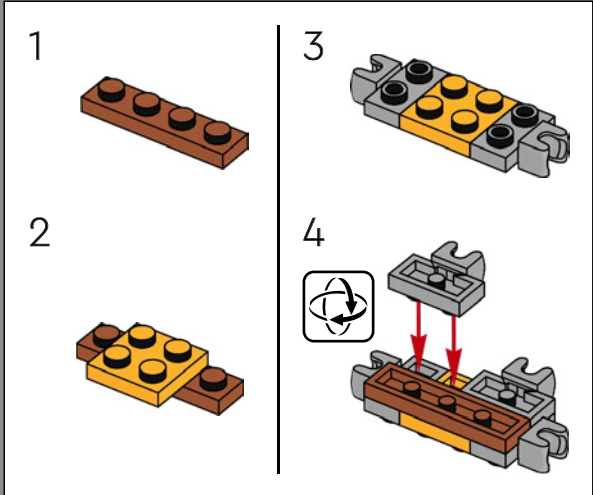
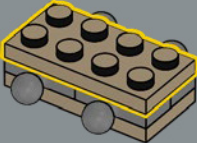




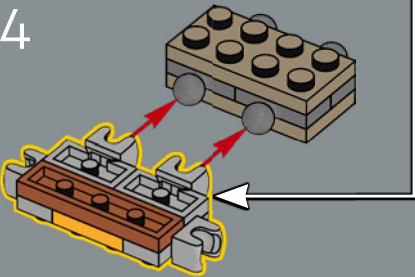
123

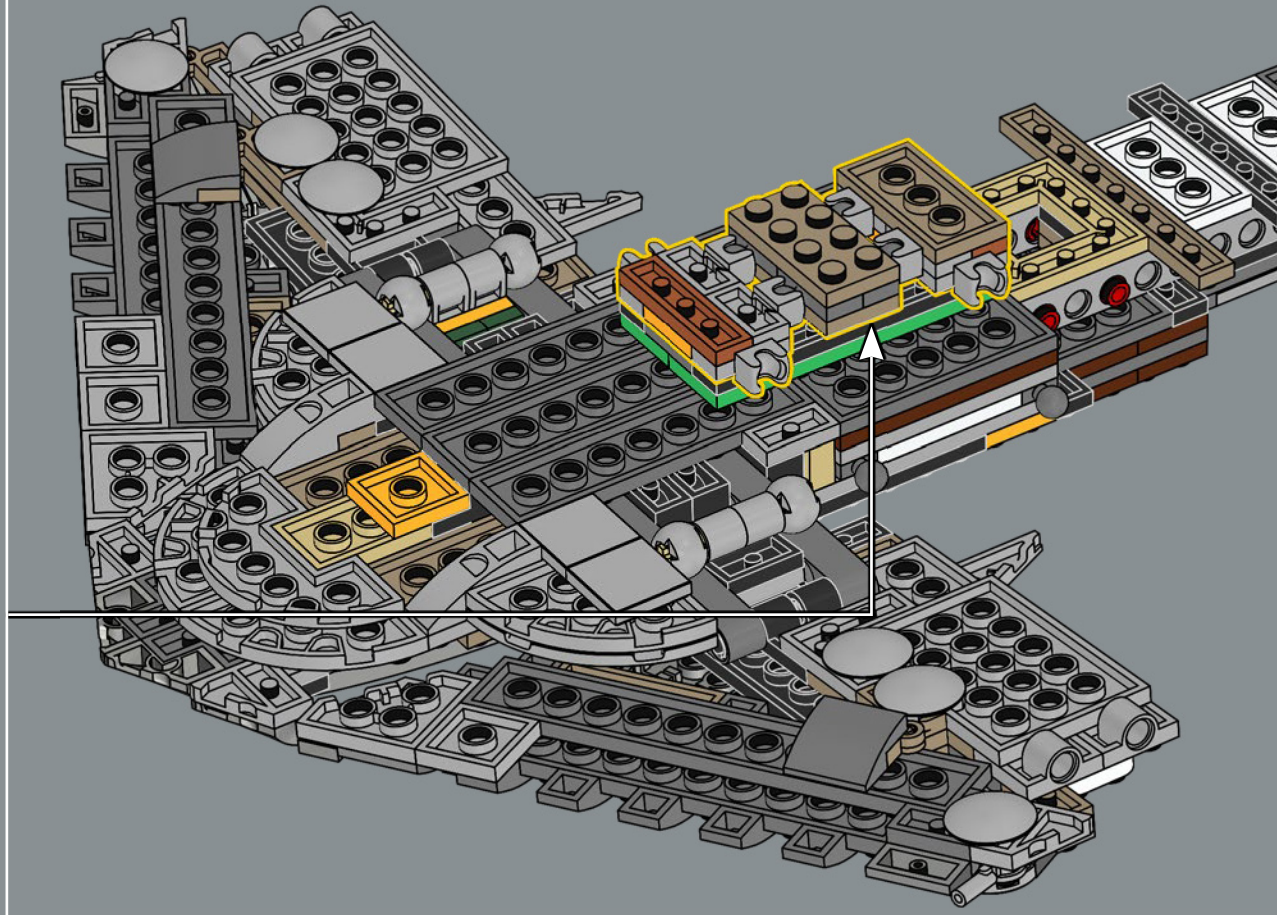
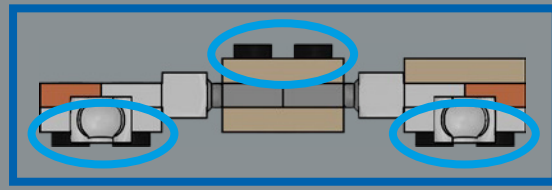
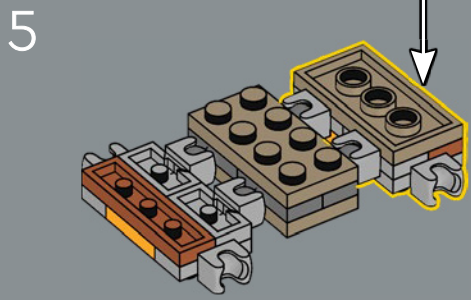
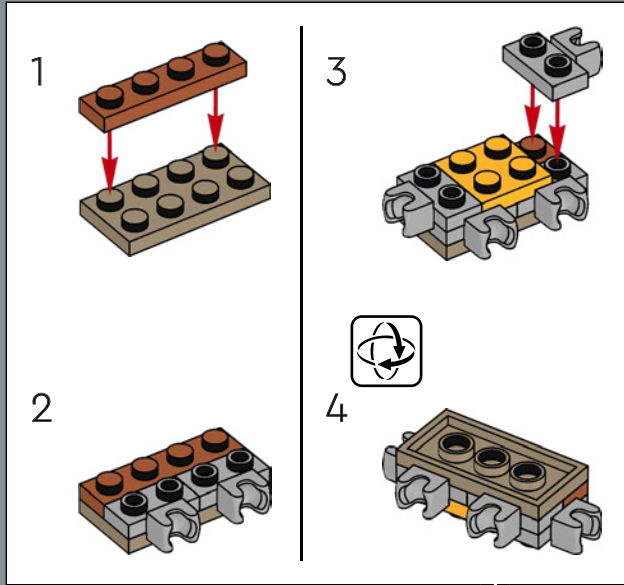


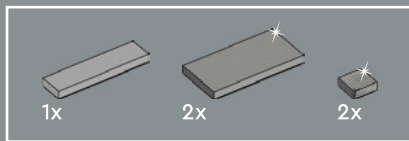
3



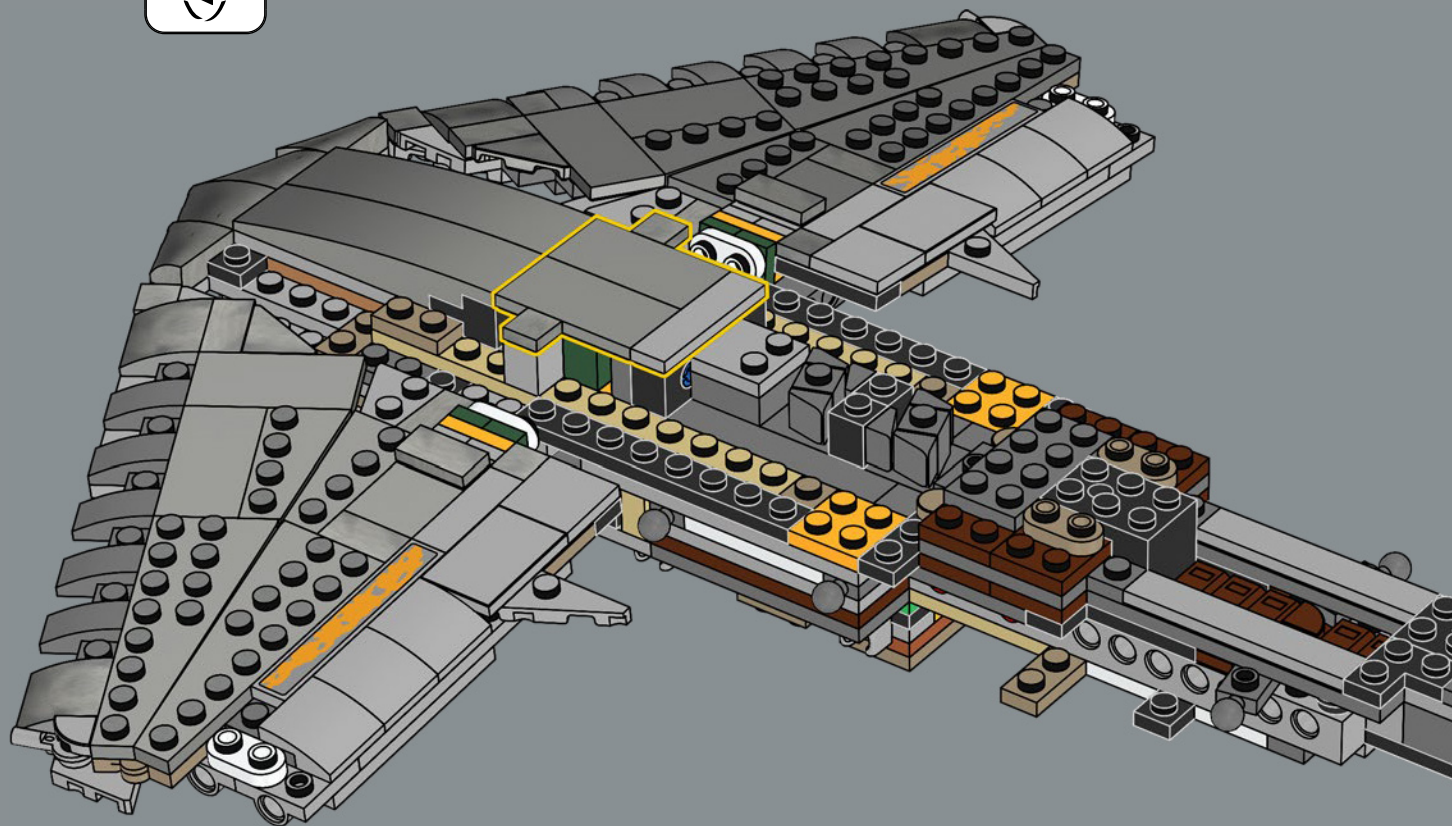
4





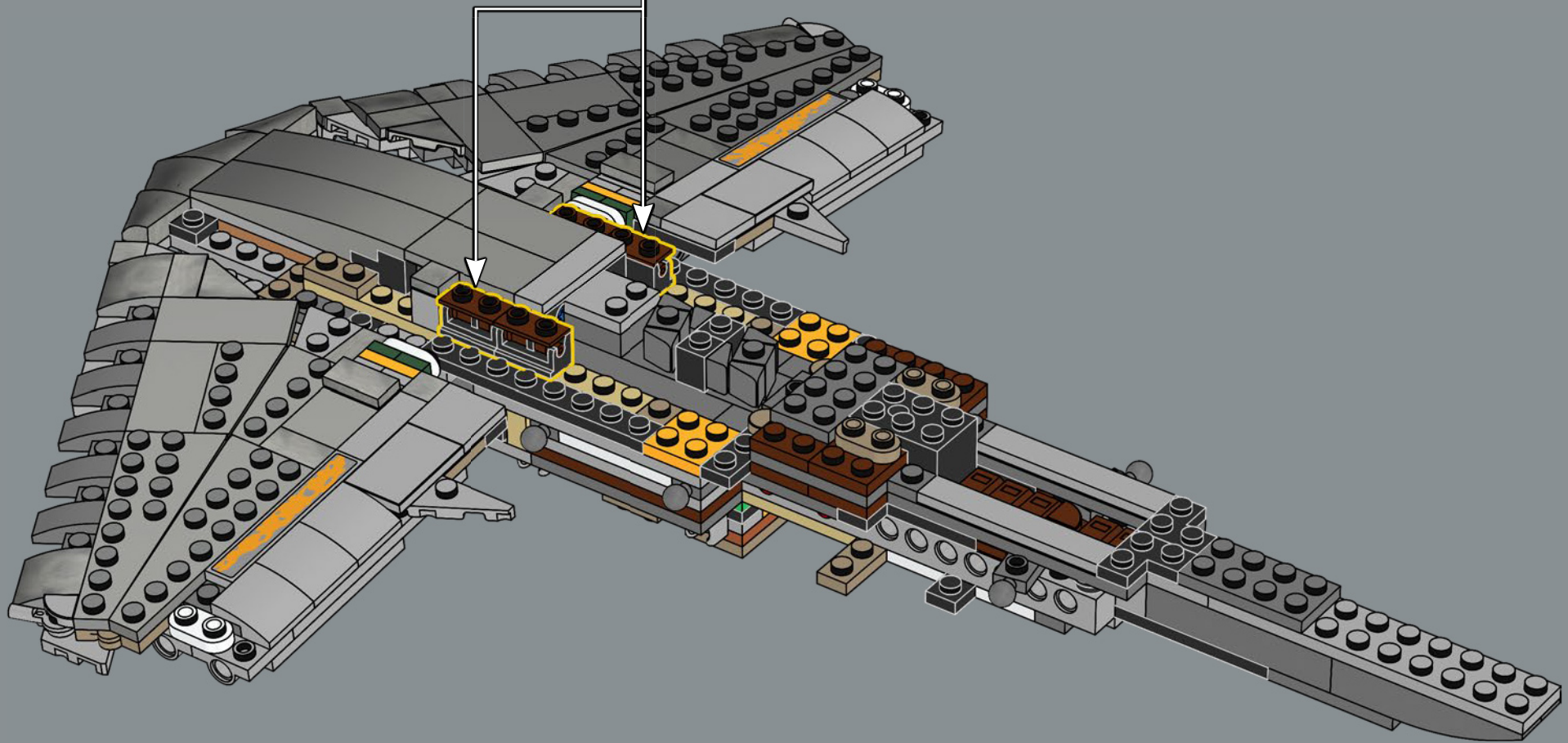
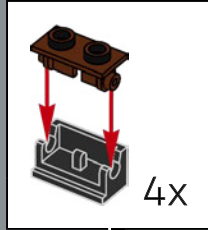


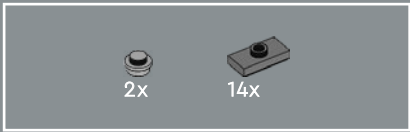
124



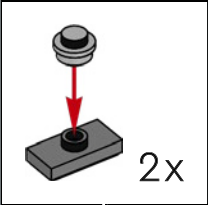
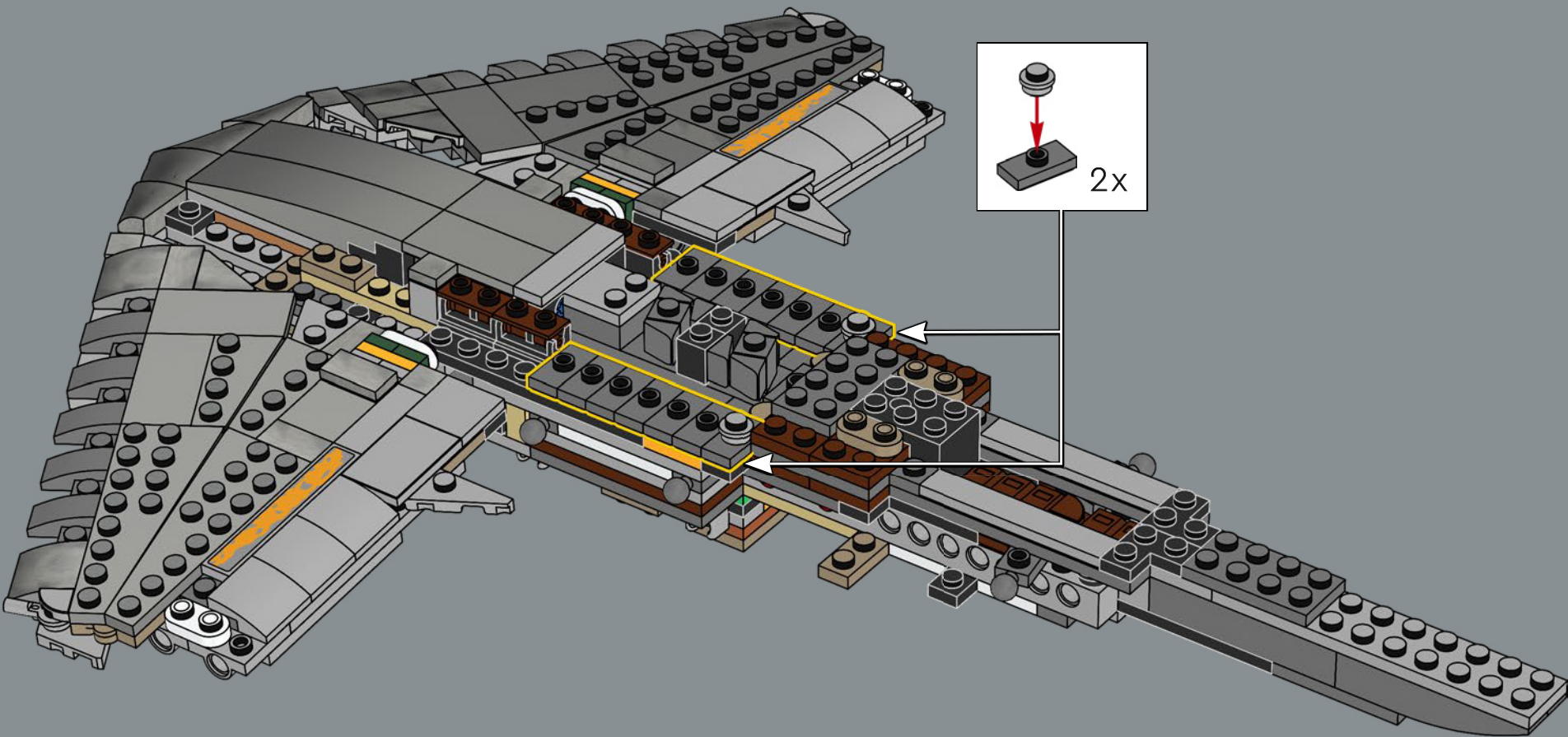


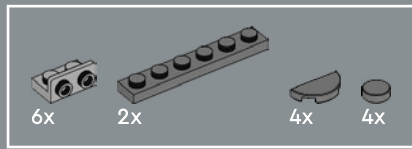
125



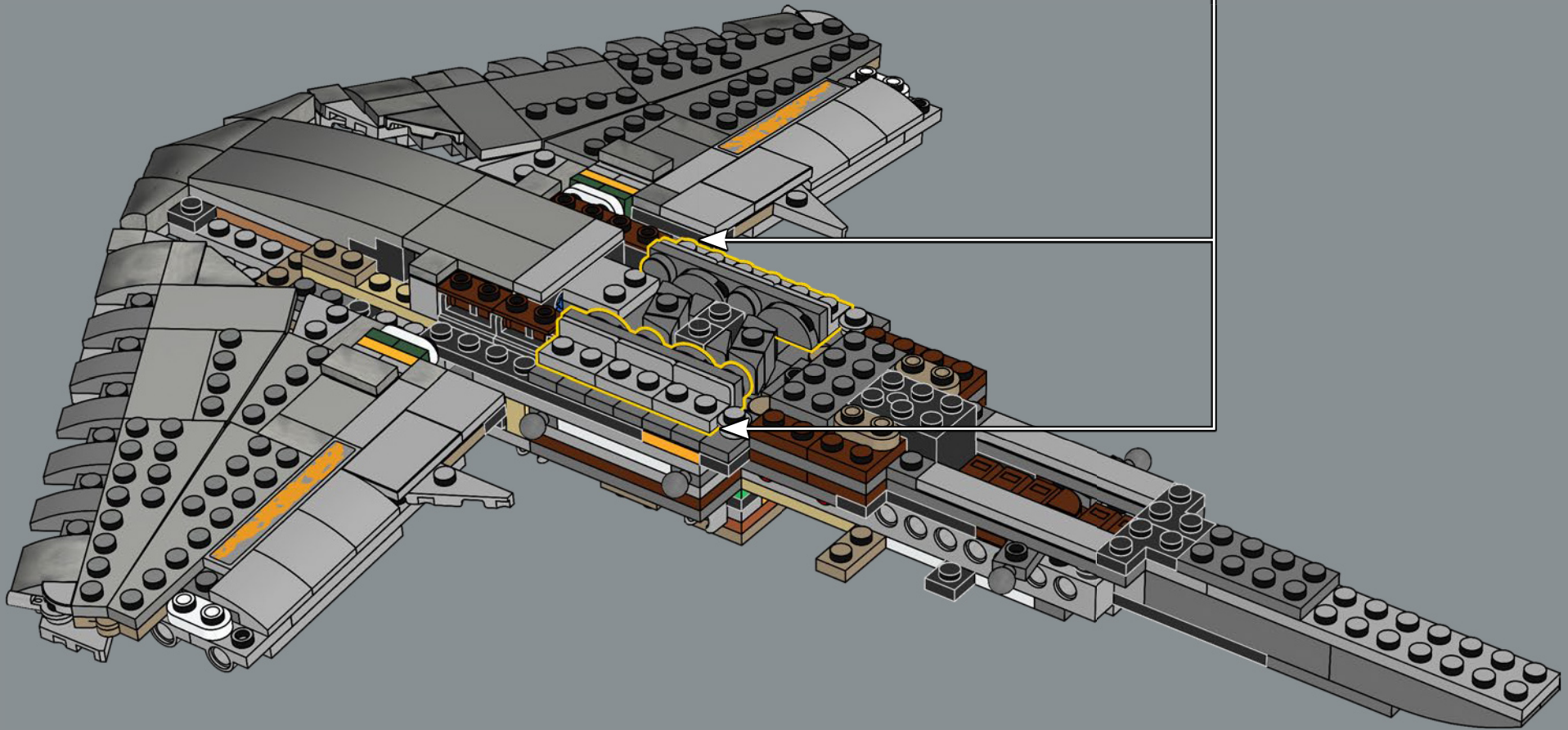
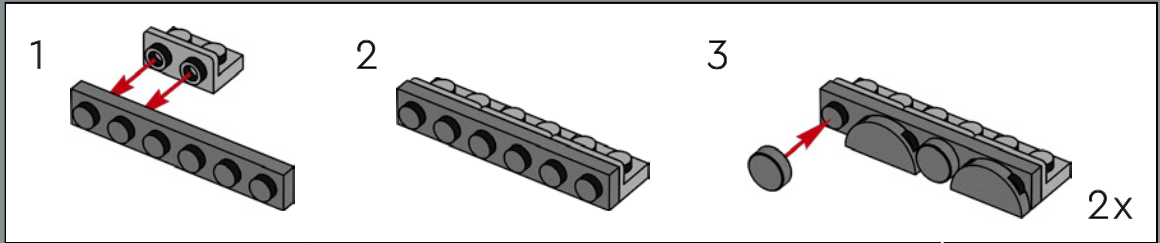


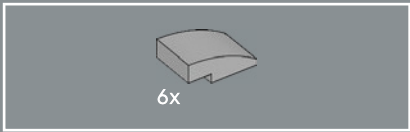
126



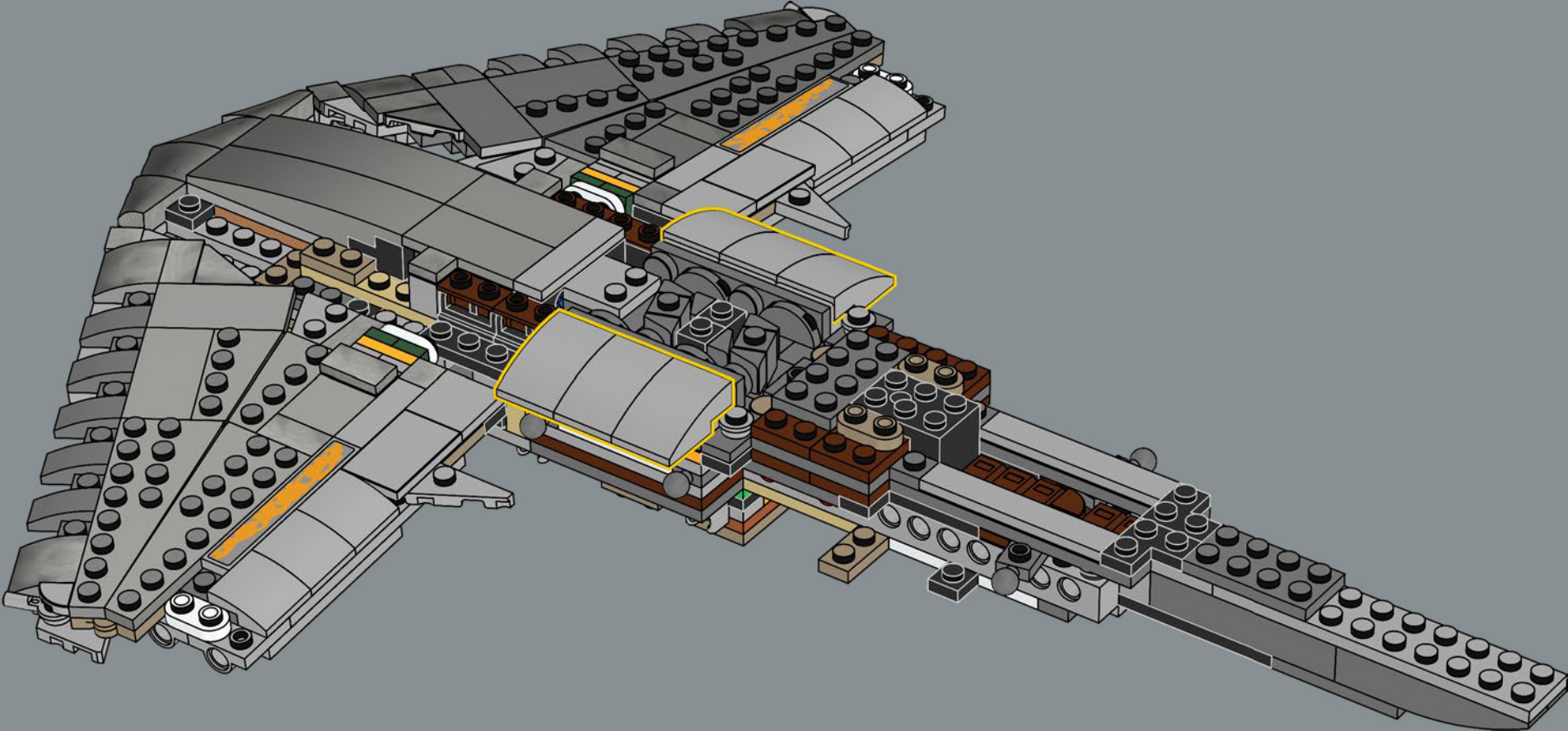


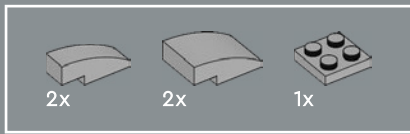
127



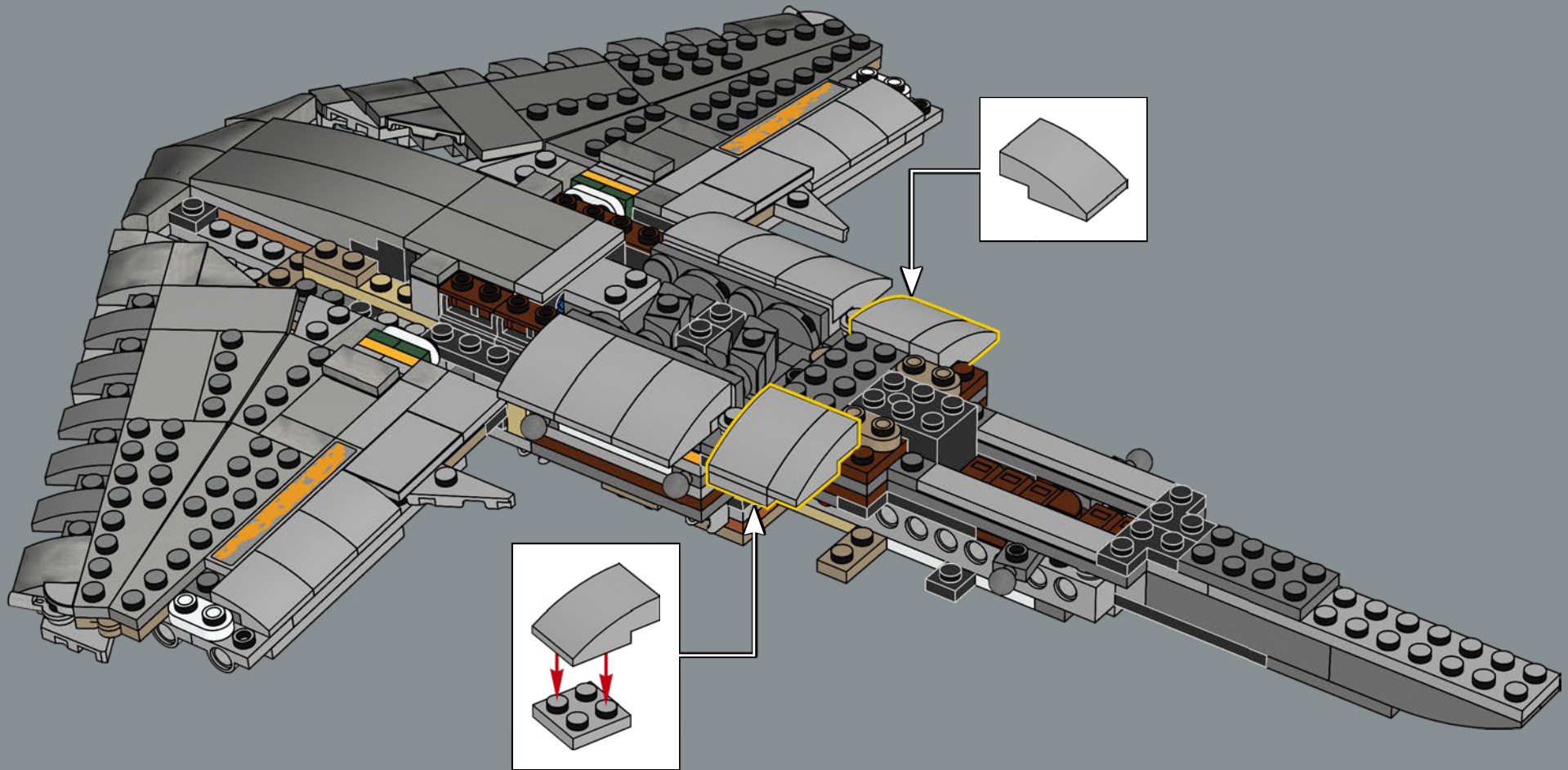


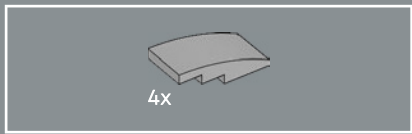
128



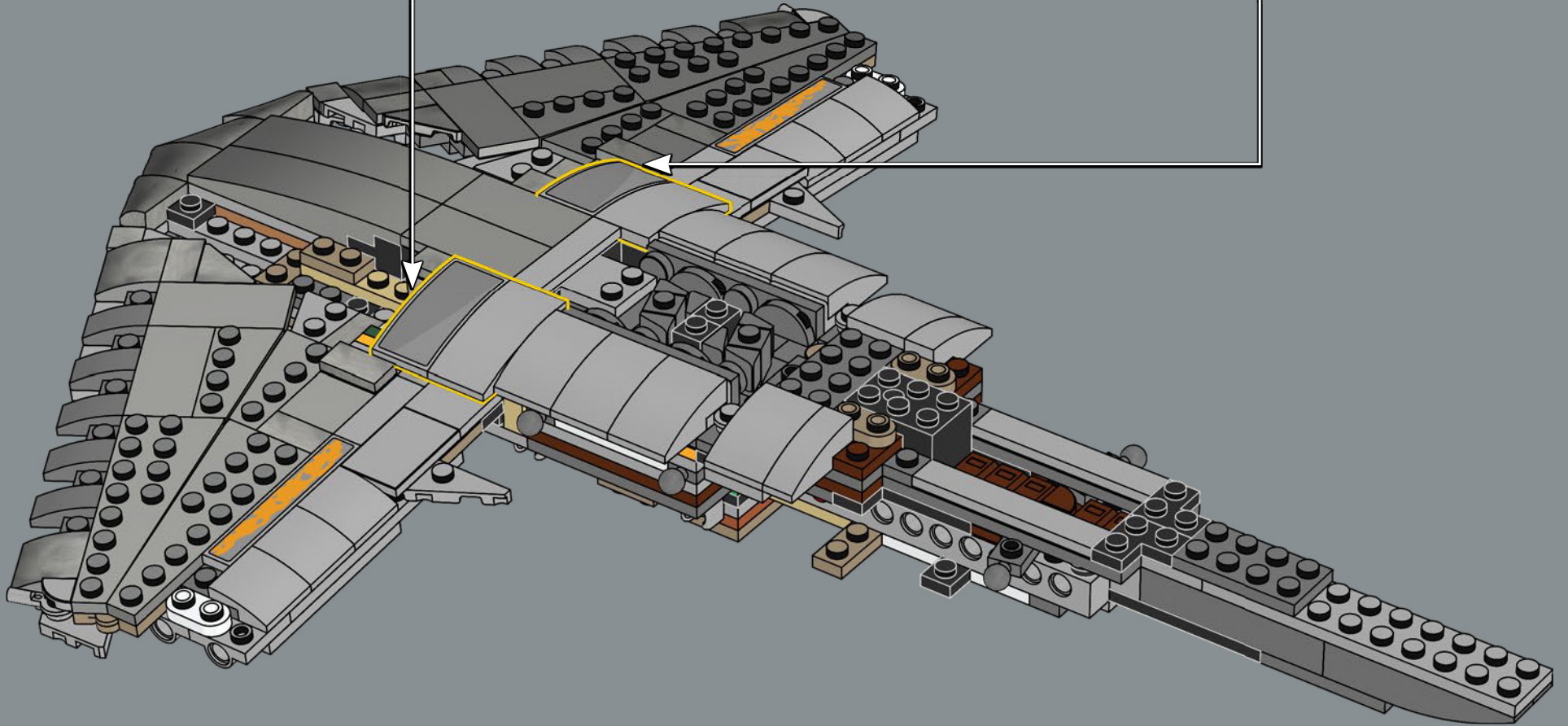
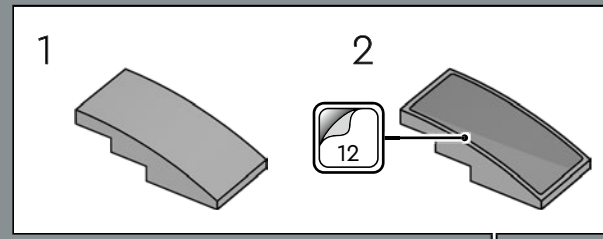
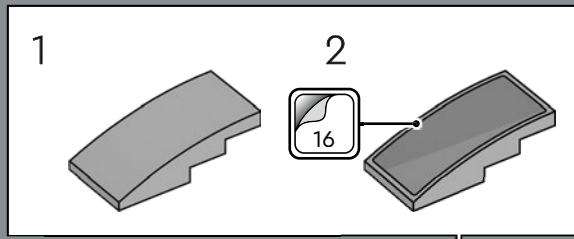


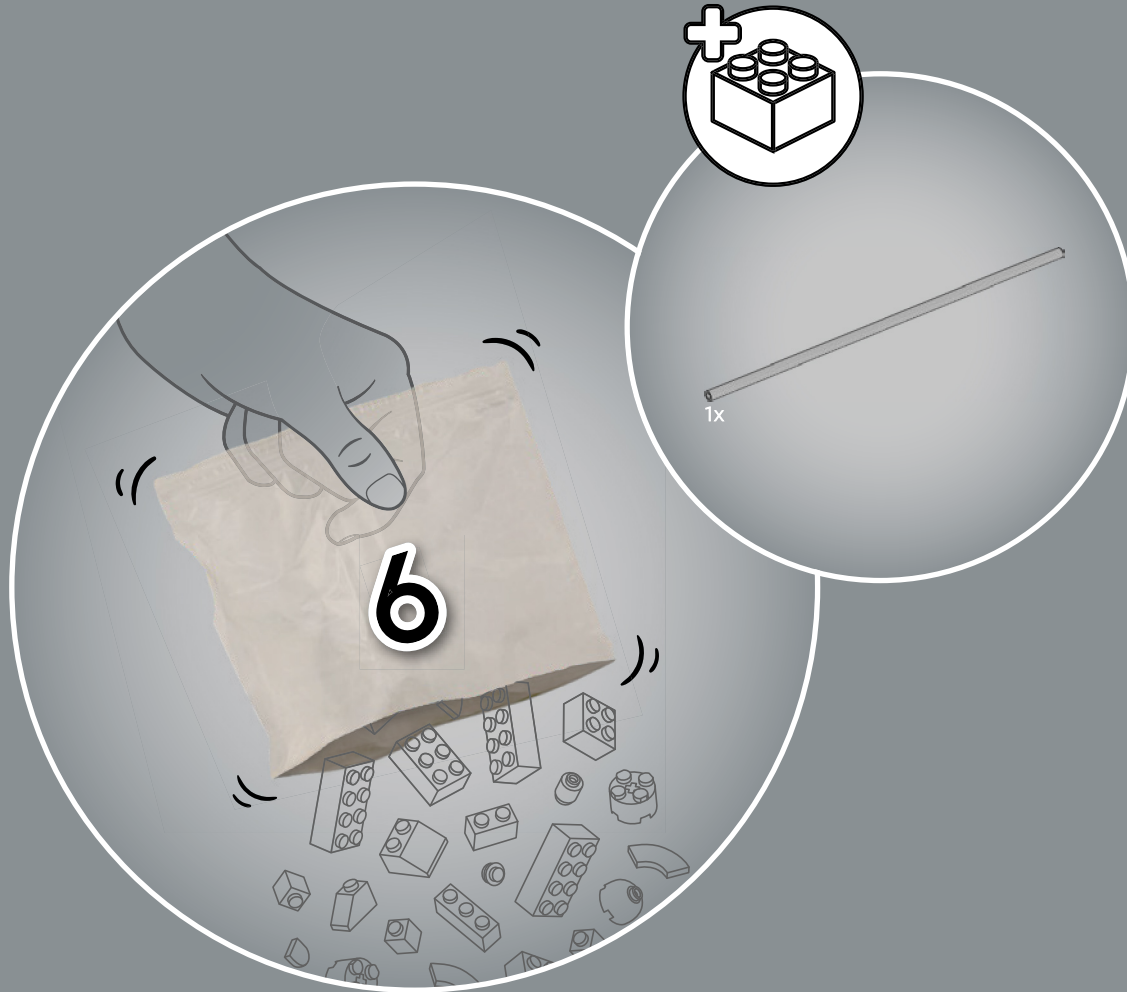
129

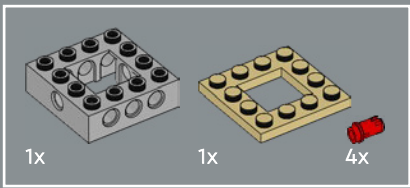




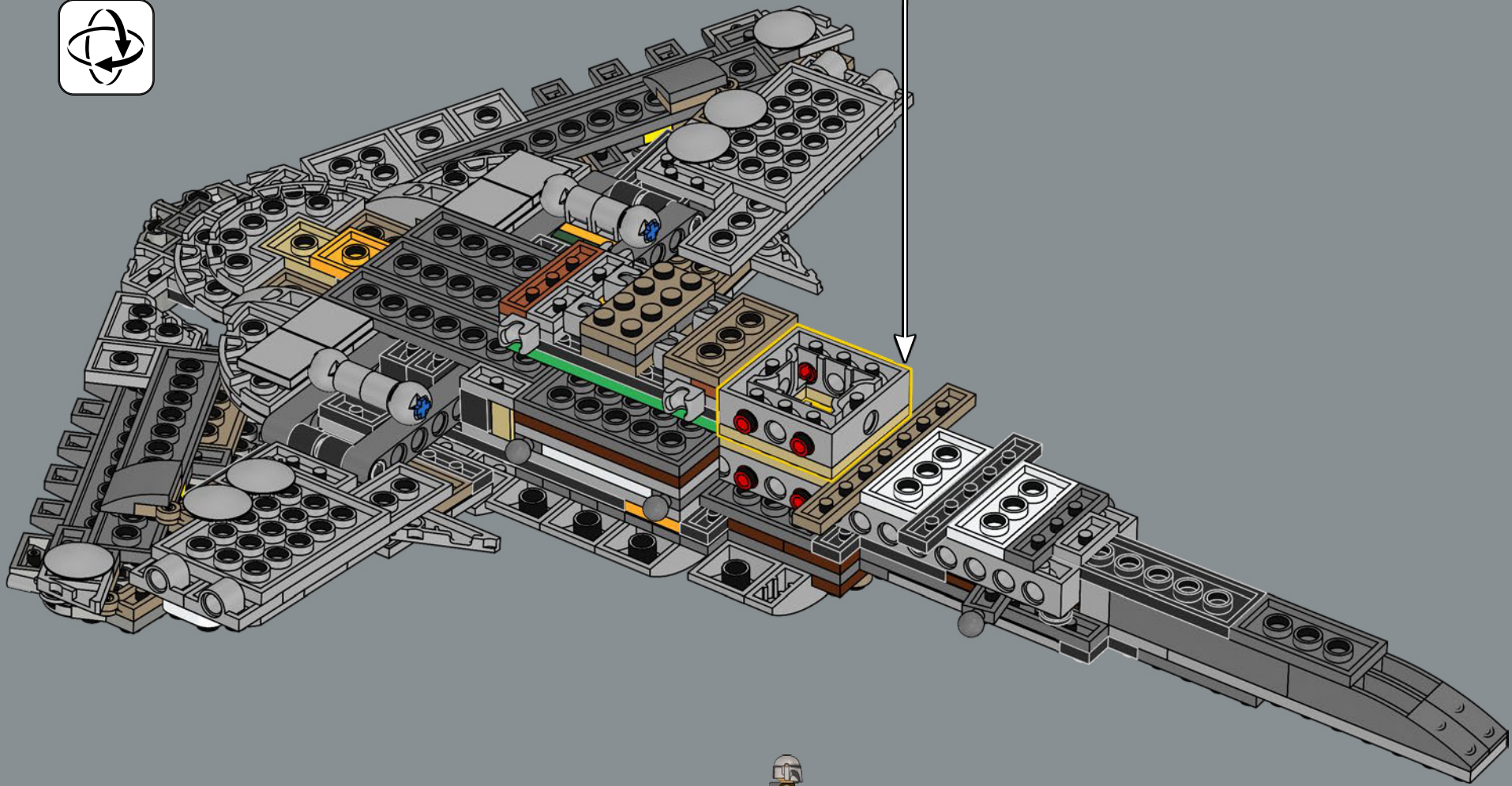
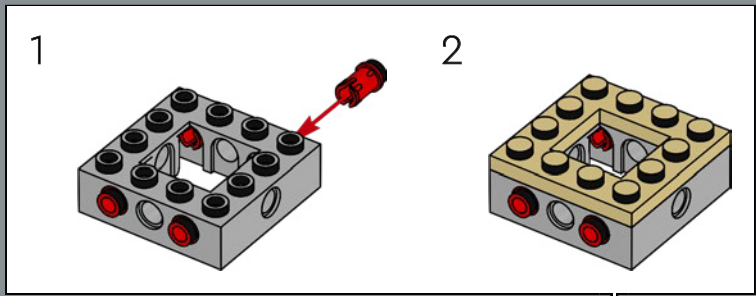
130

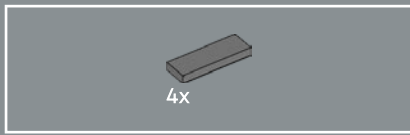




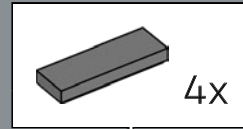
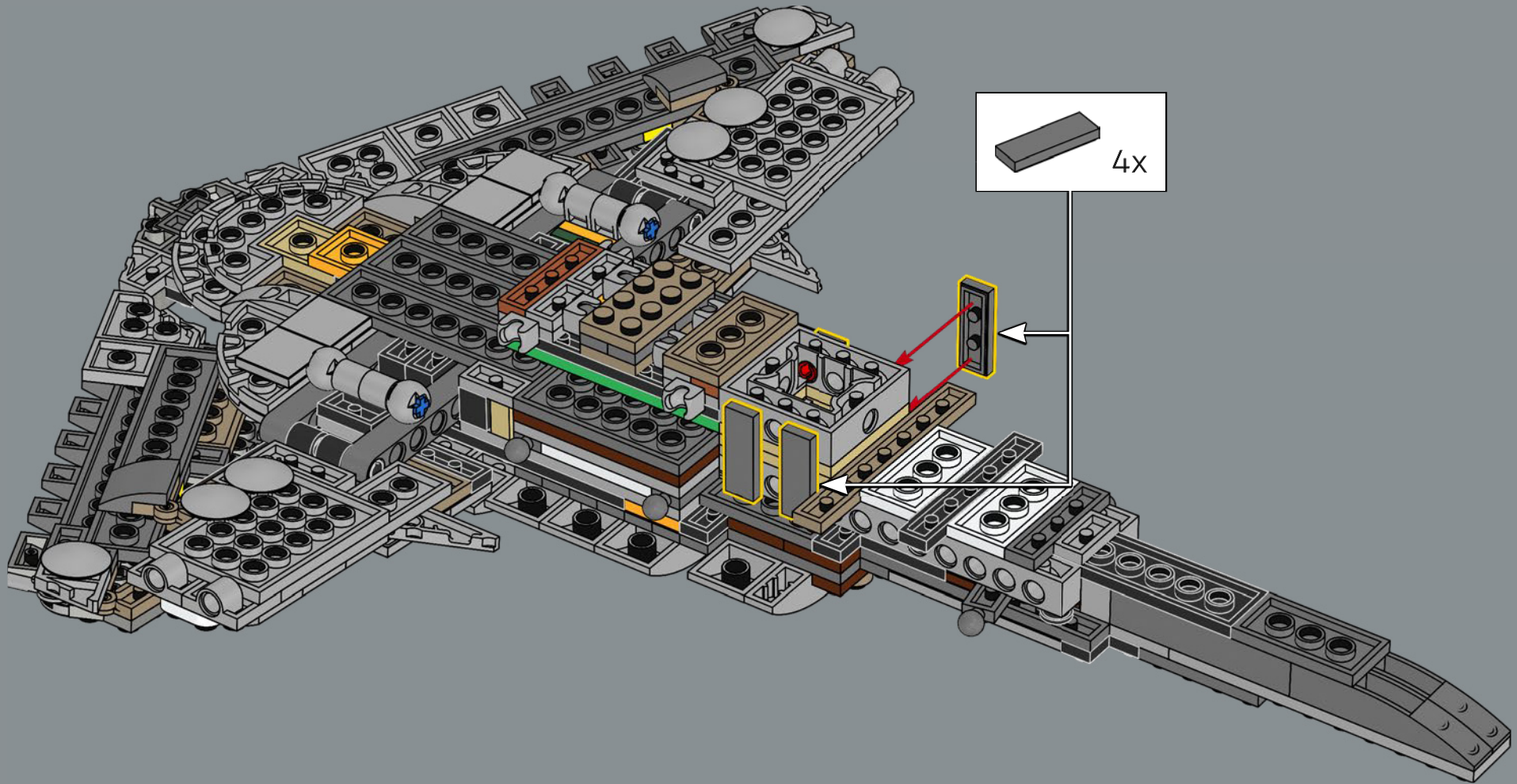


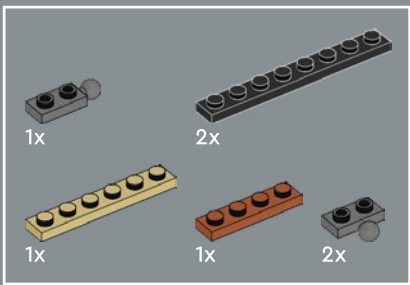
131



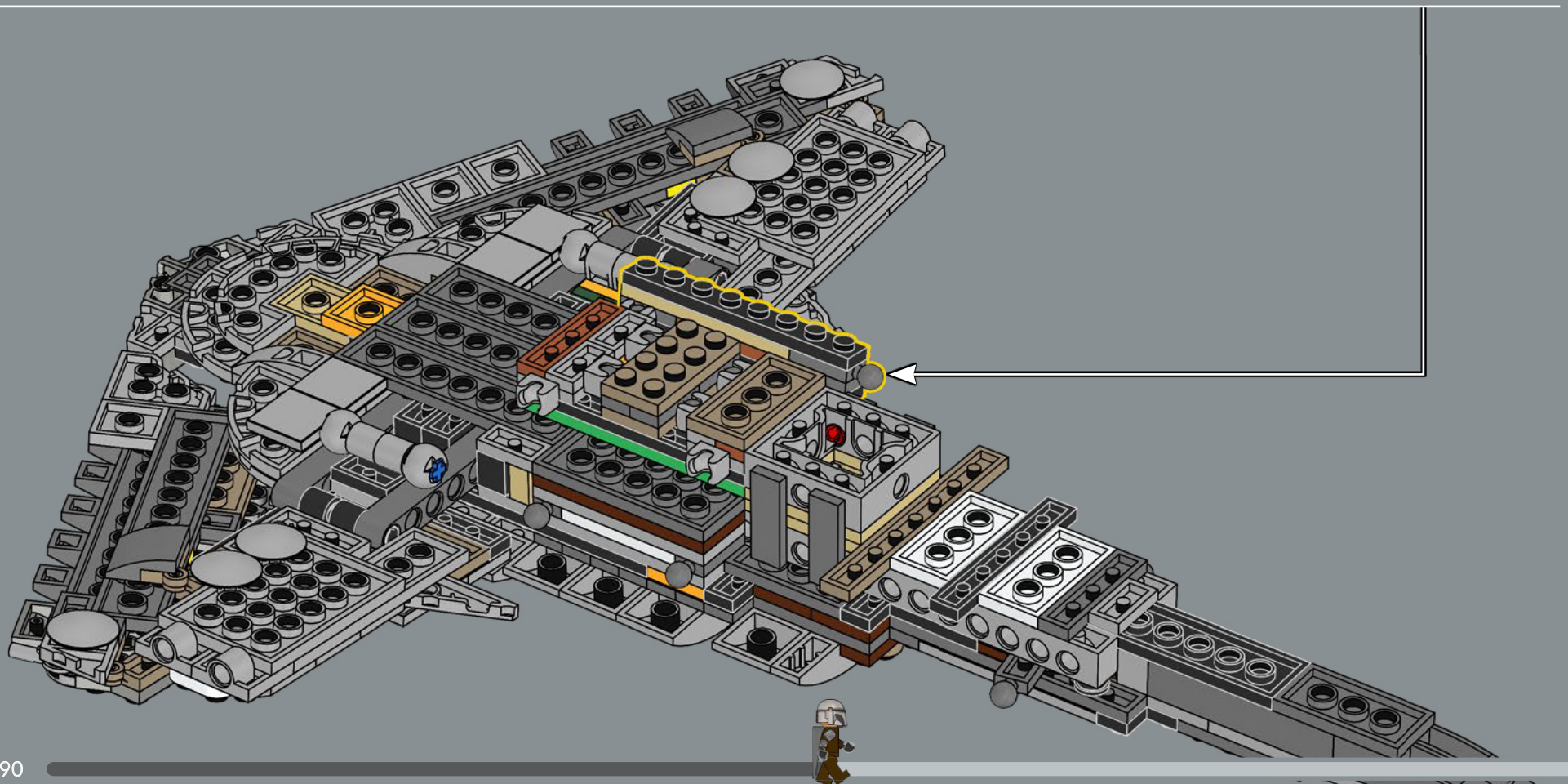
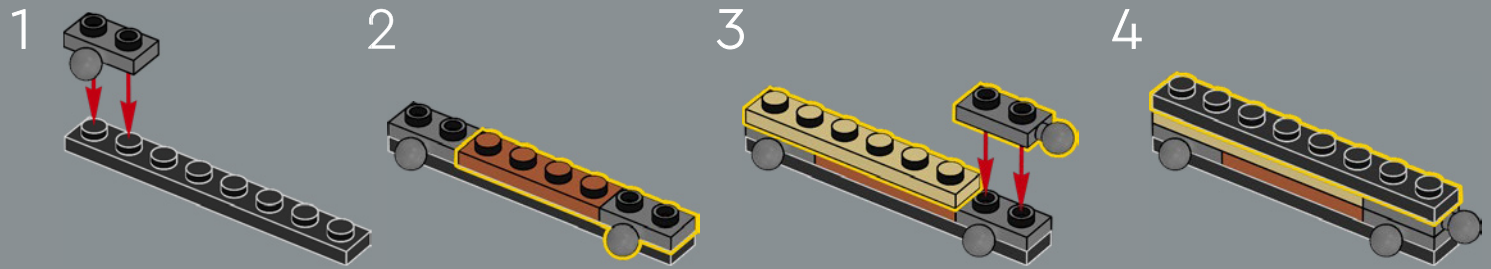


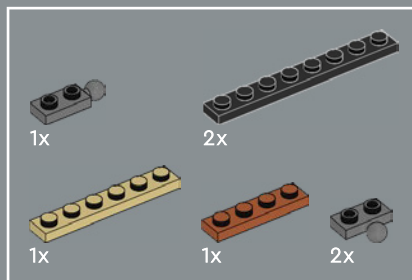
132



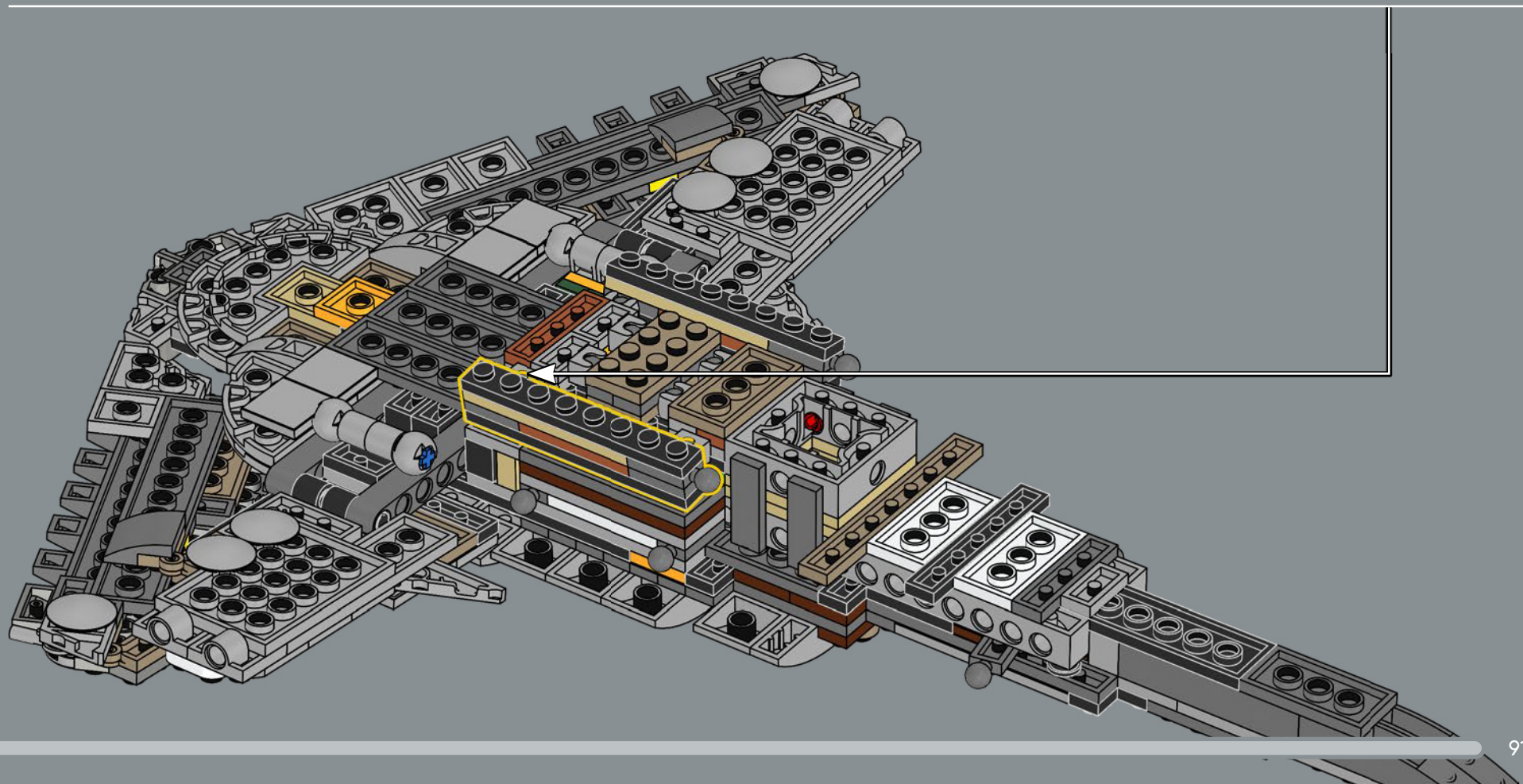
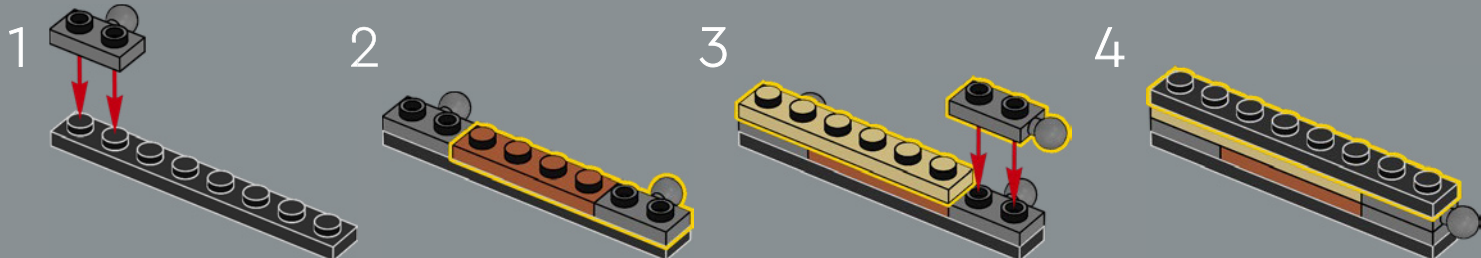


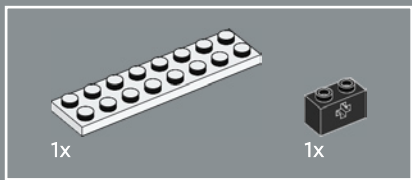
133



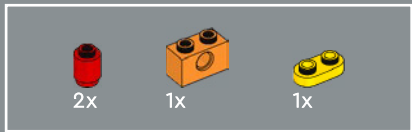
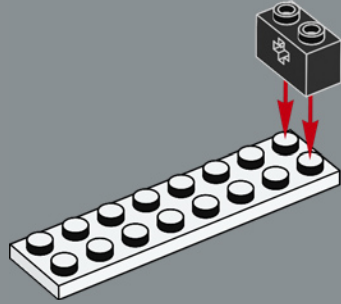


134

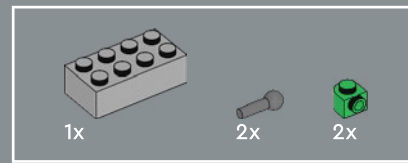
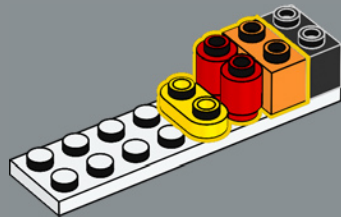




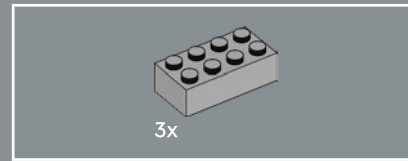
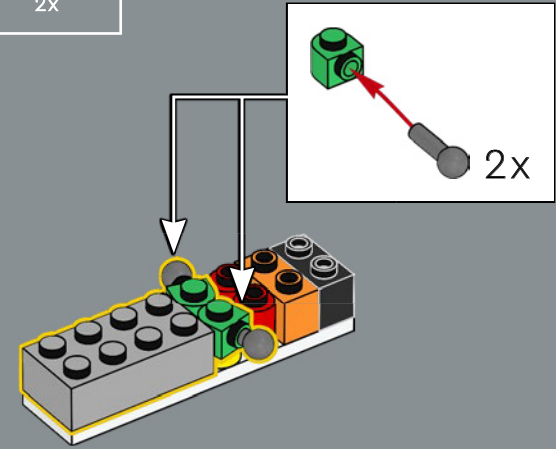
135



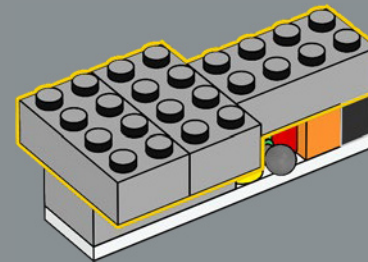
136



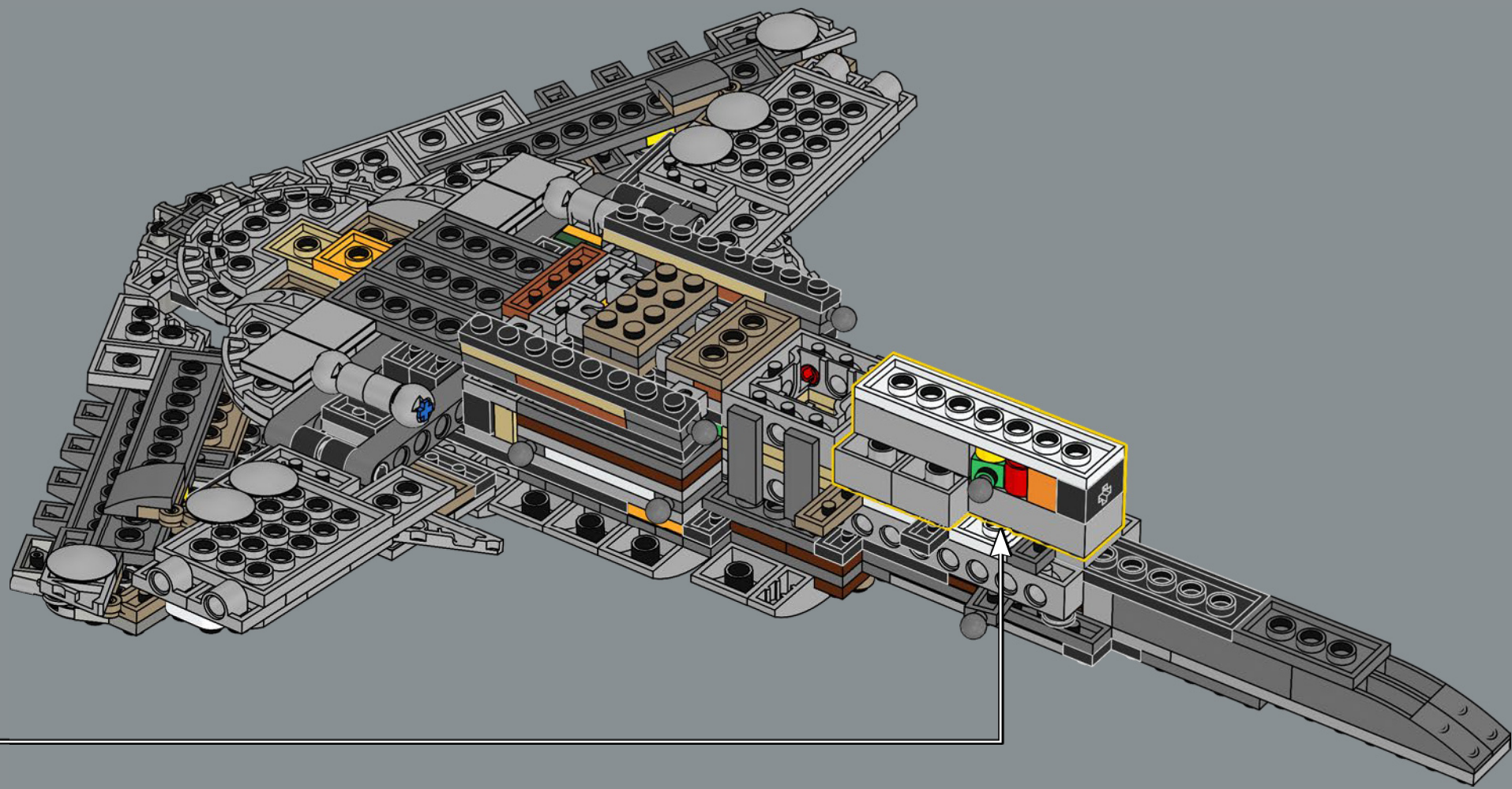
137



138

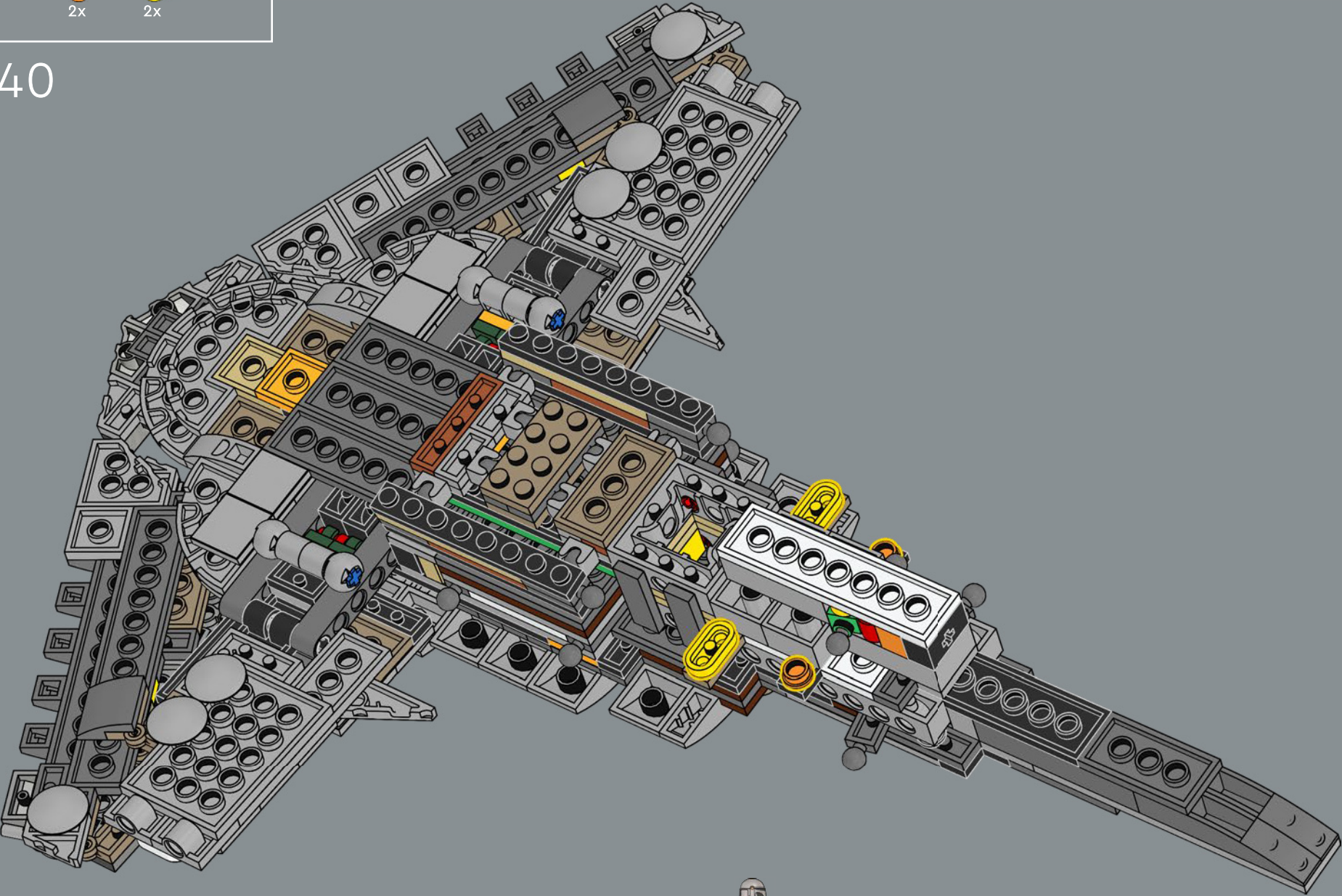


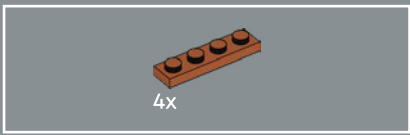
139



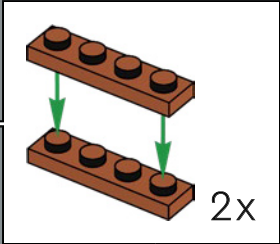
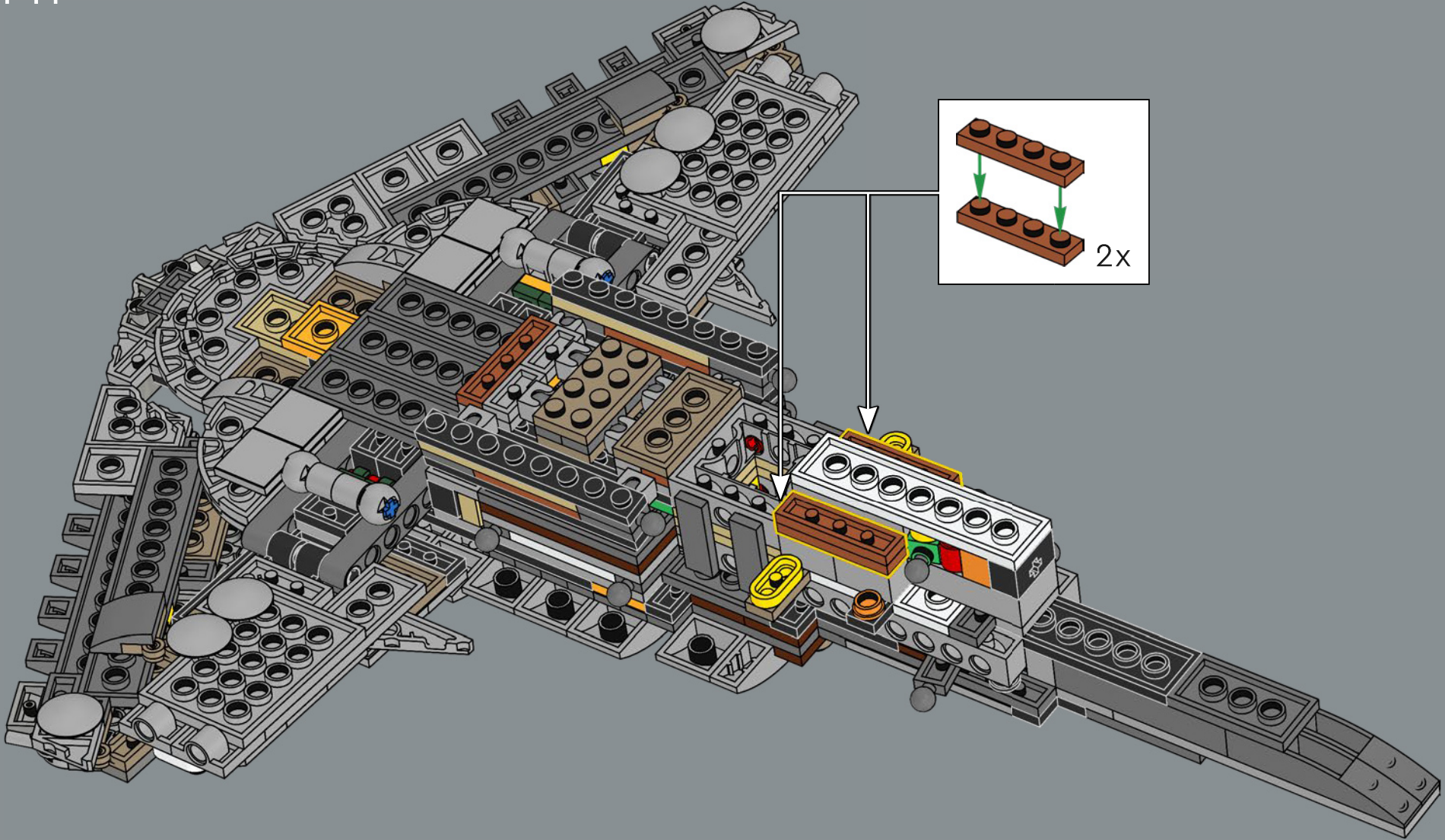
2x  2x 

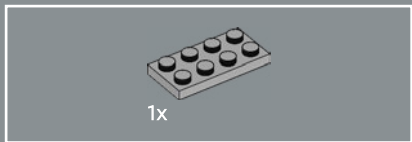
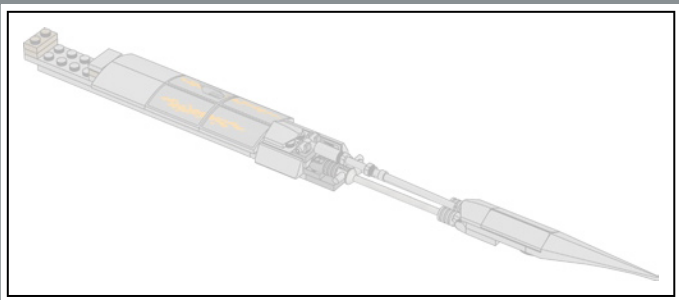
140





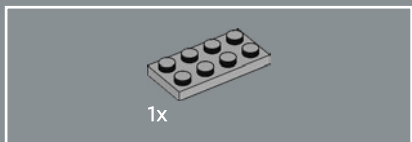
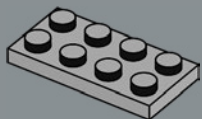
141





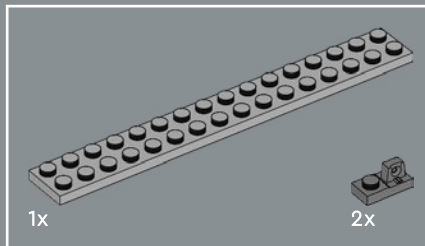
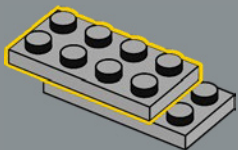
1x

142



1x

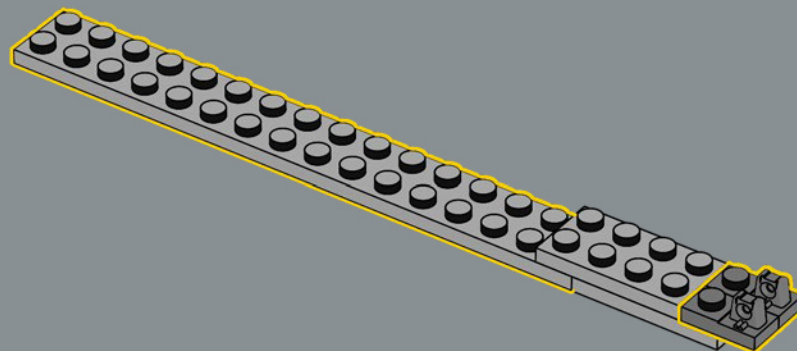
143

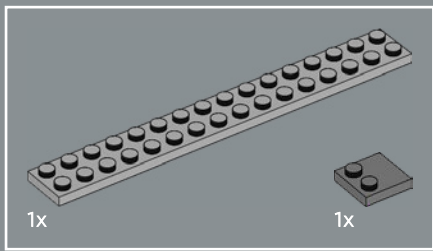


1x

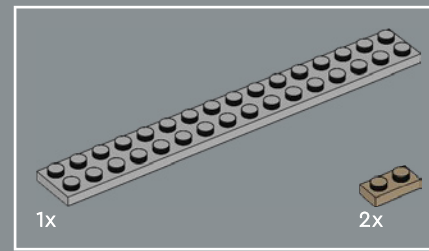
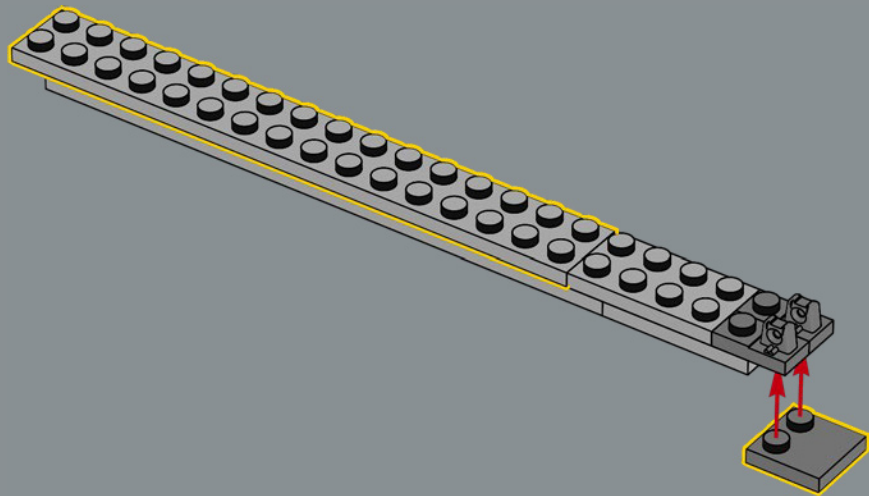
2x

144

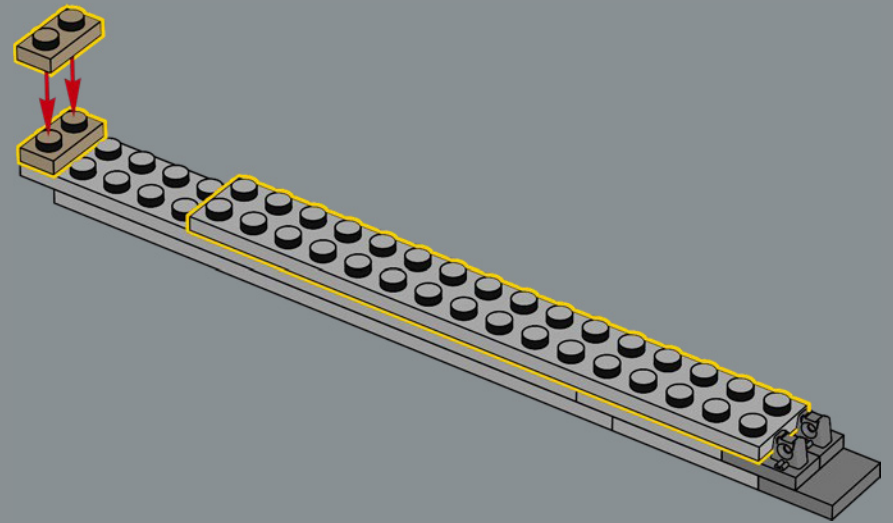


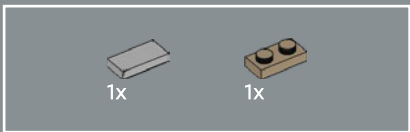


145

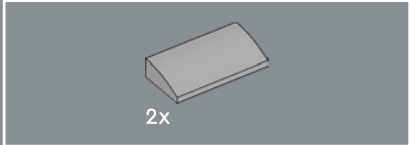
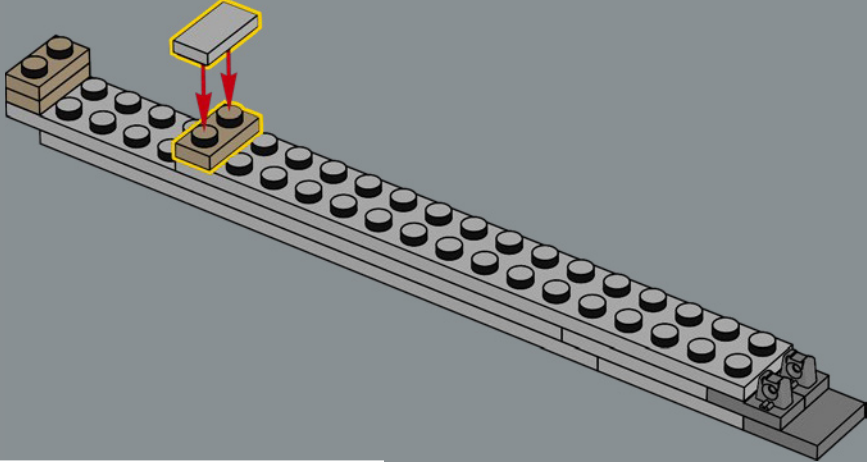


146

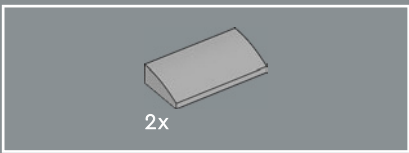
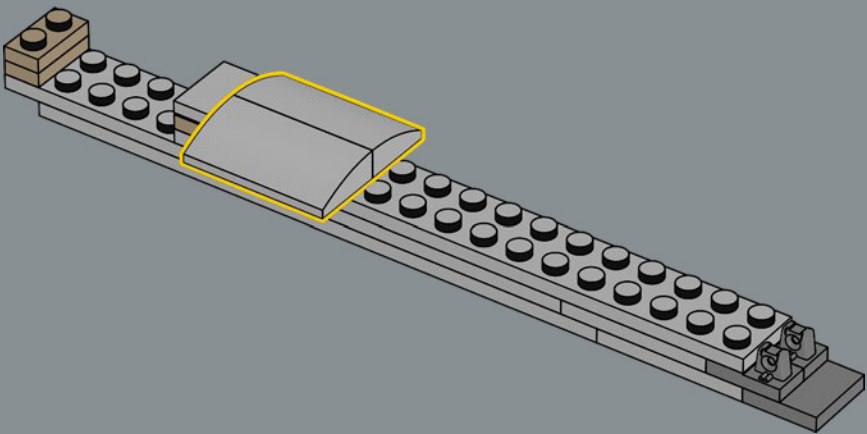




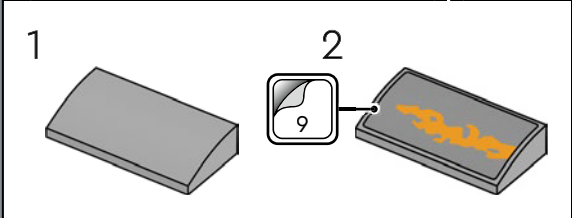
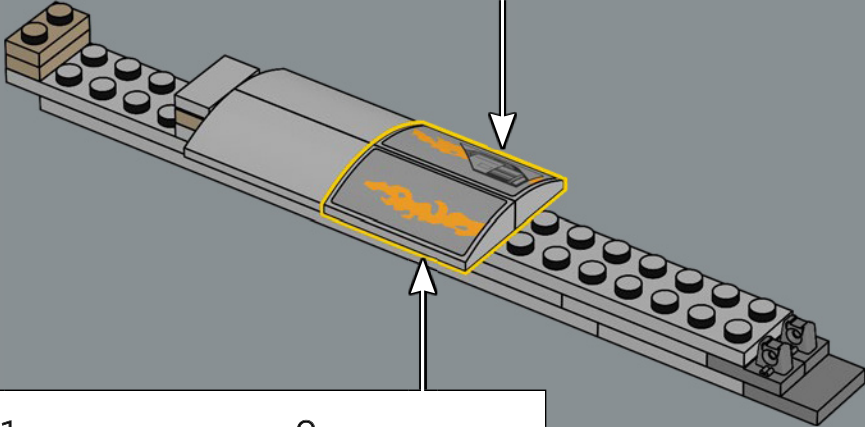
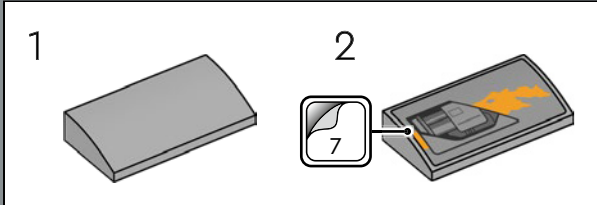
147

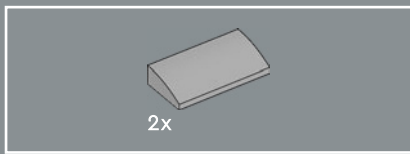


148

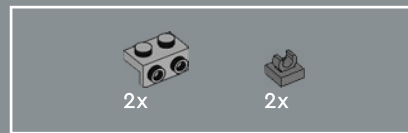
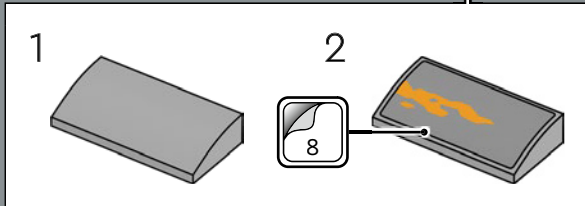
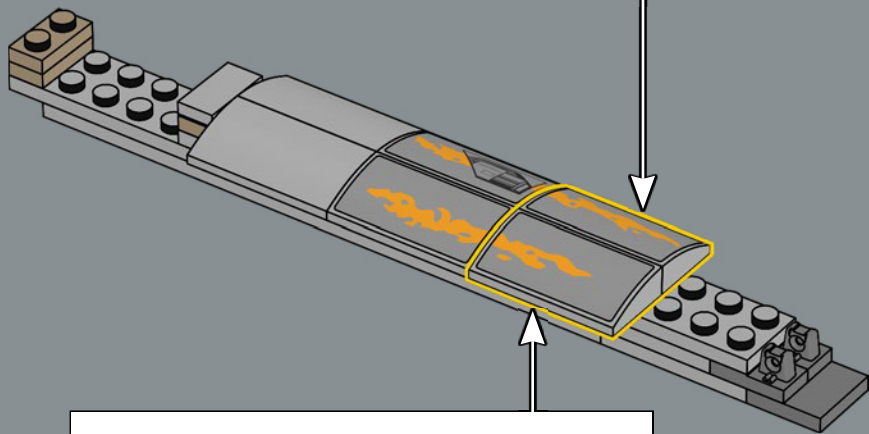
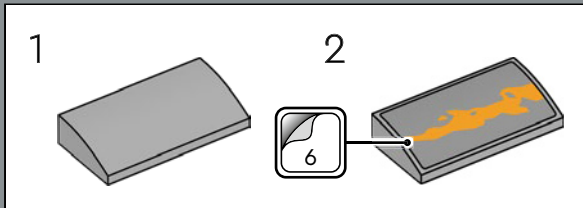


149

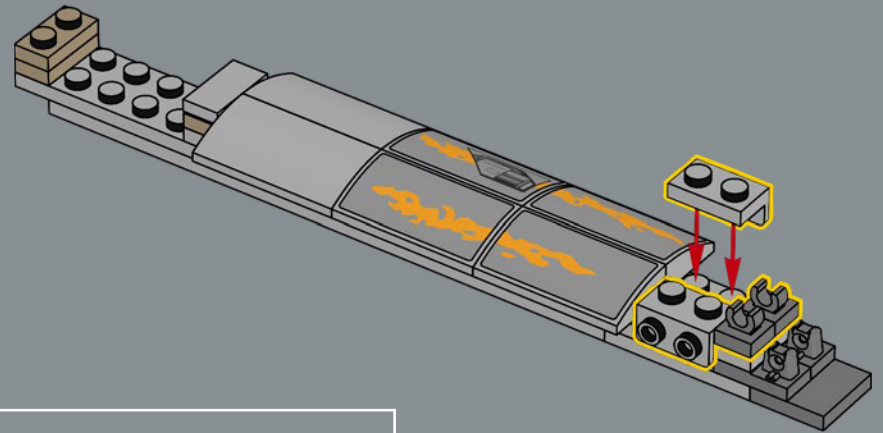




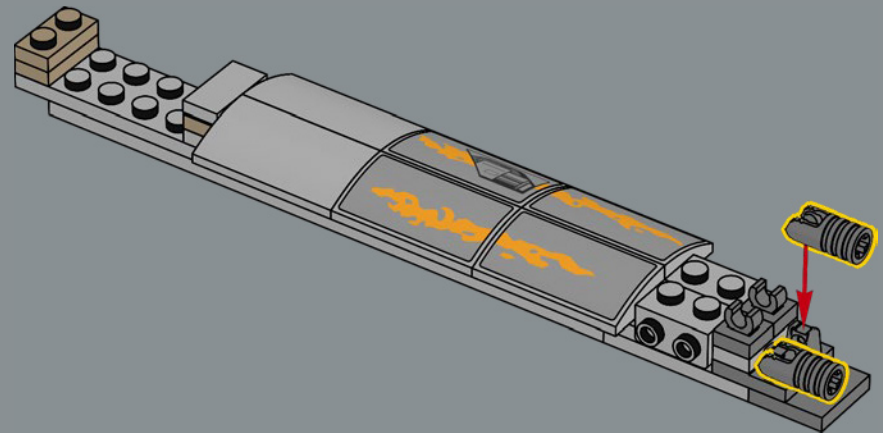
150

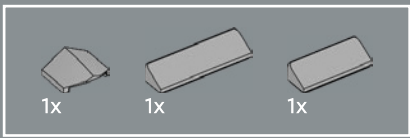


151

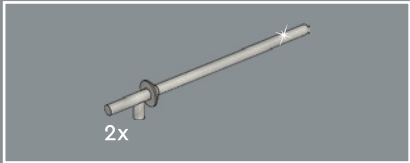
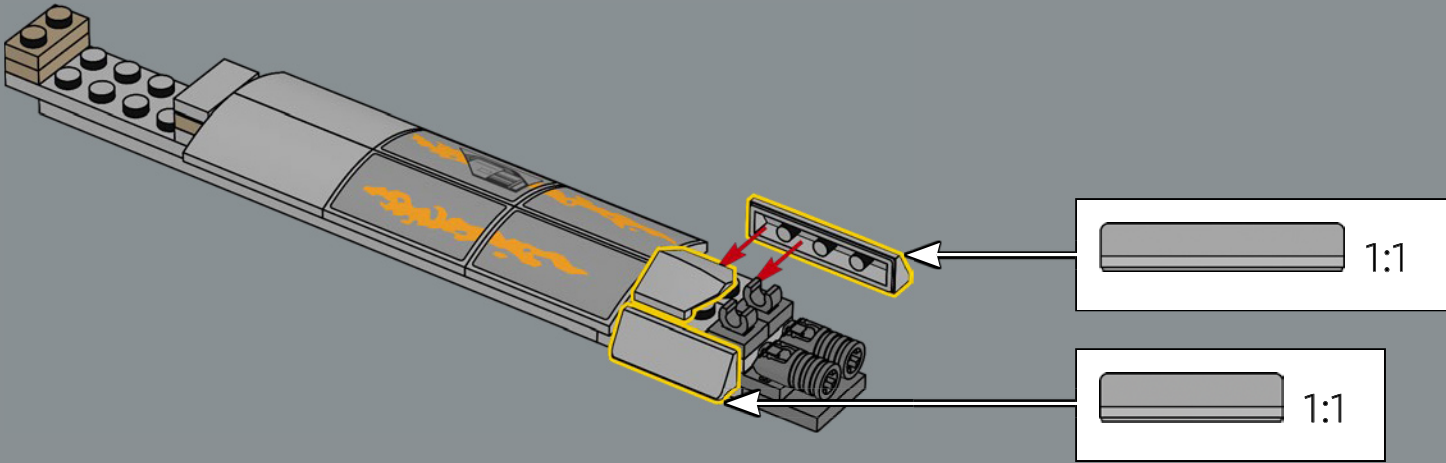


152

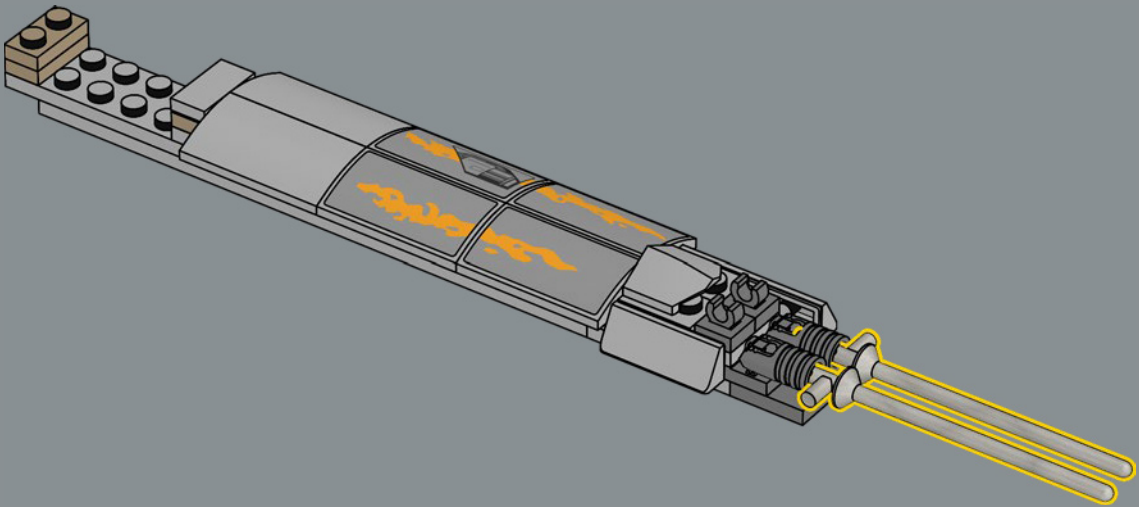


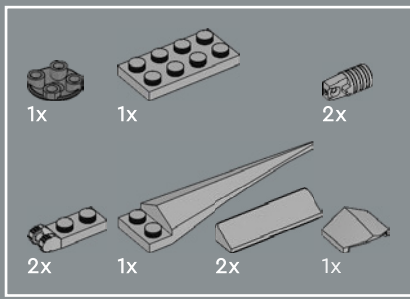


153



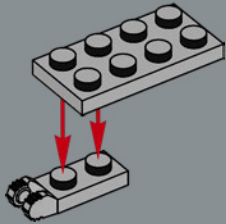
154



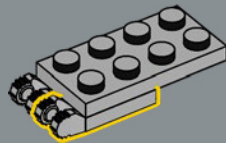


155

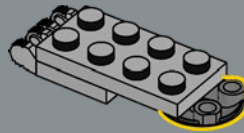
1



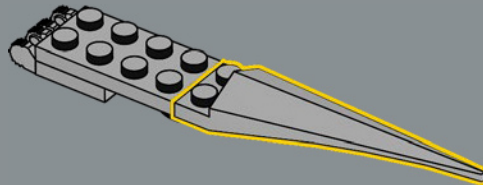
2



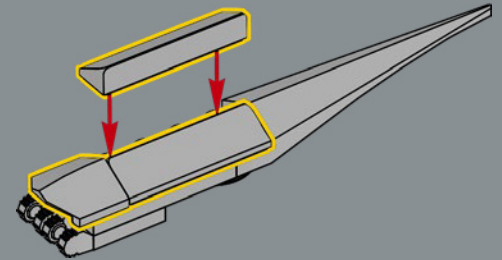
3



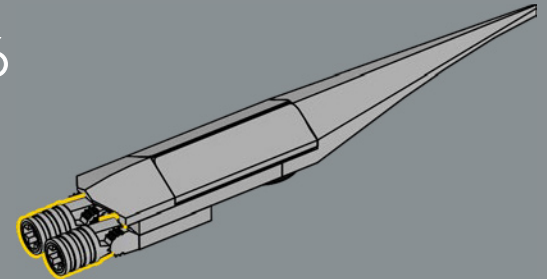
4

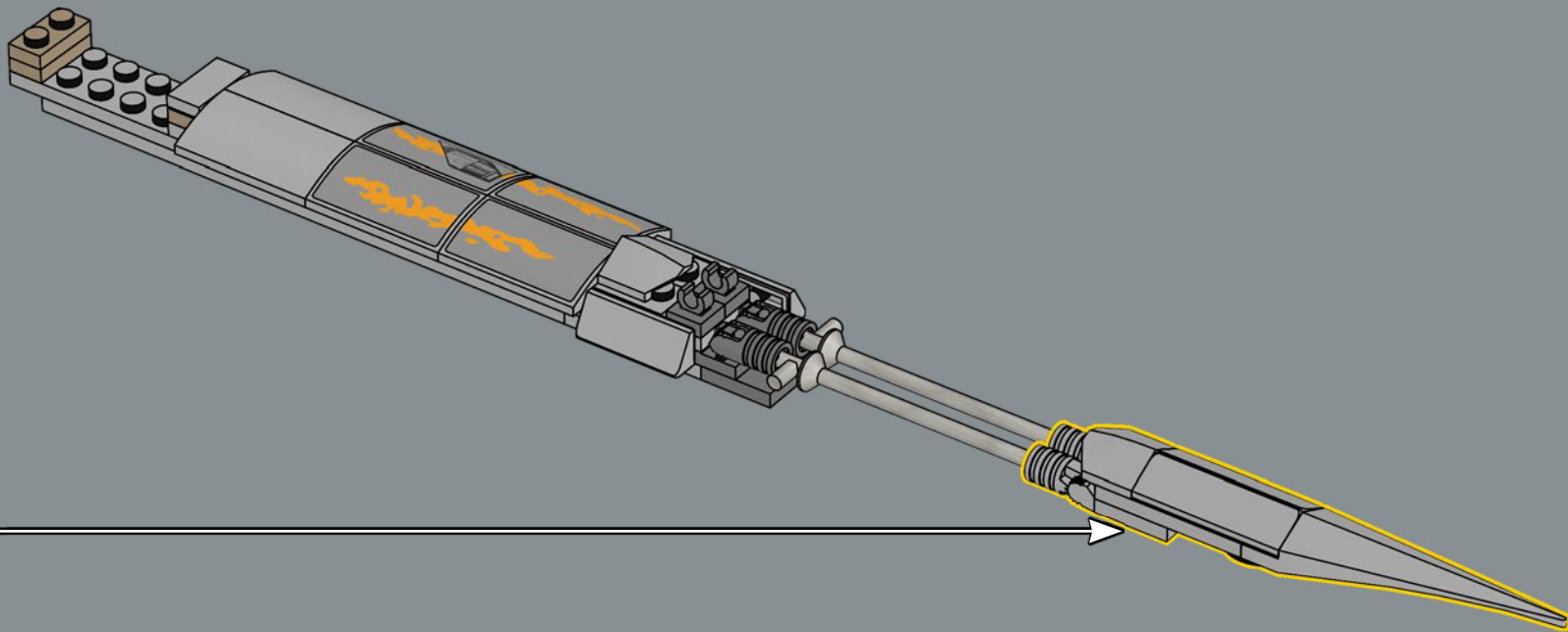


5



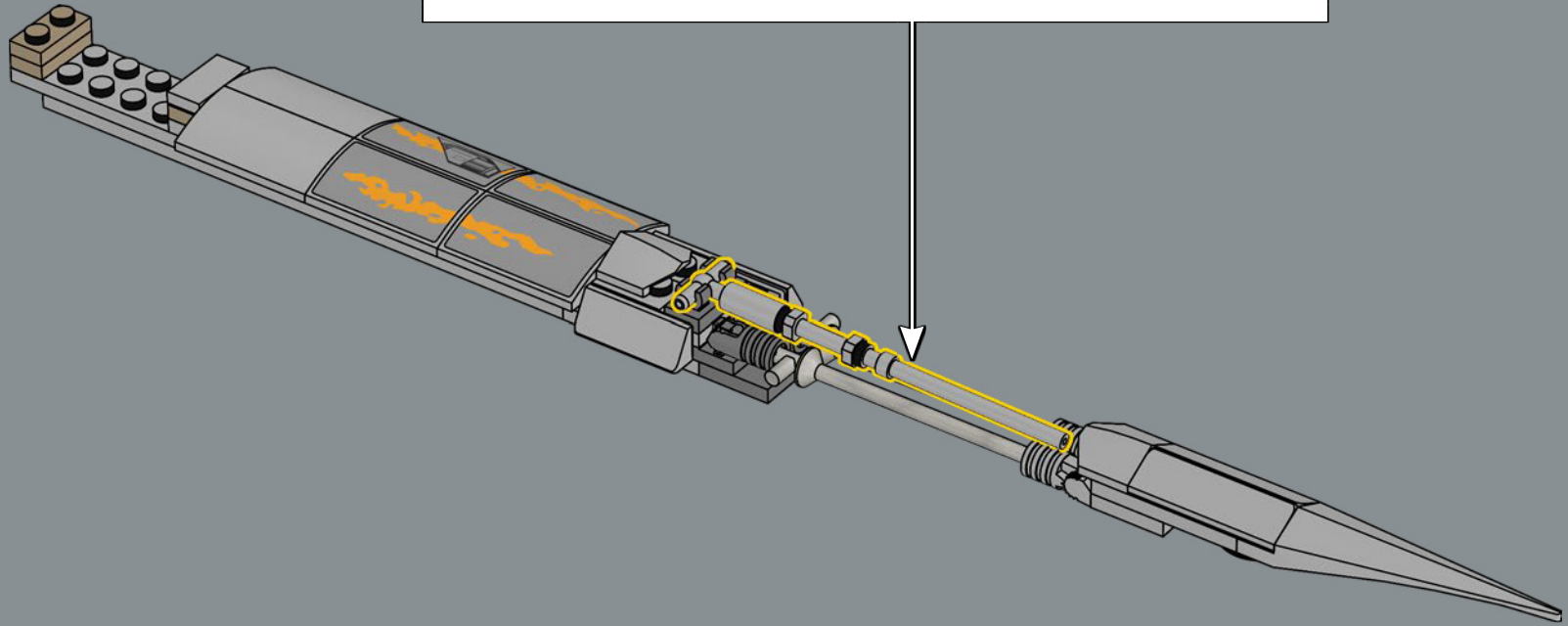
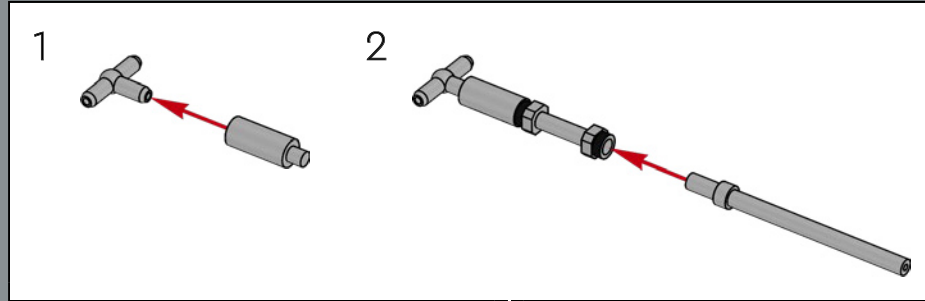
6



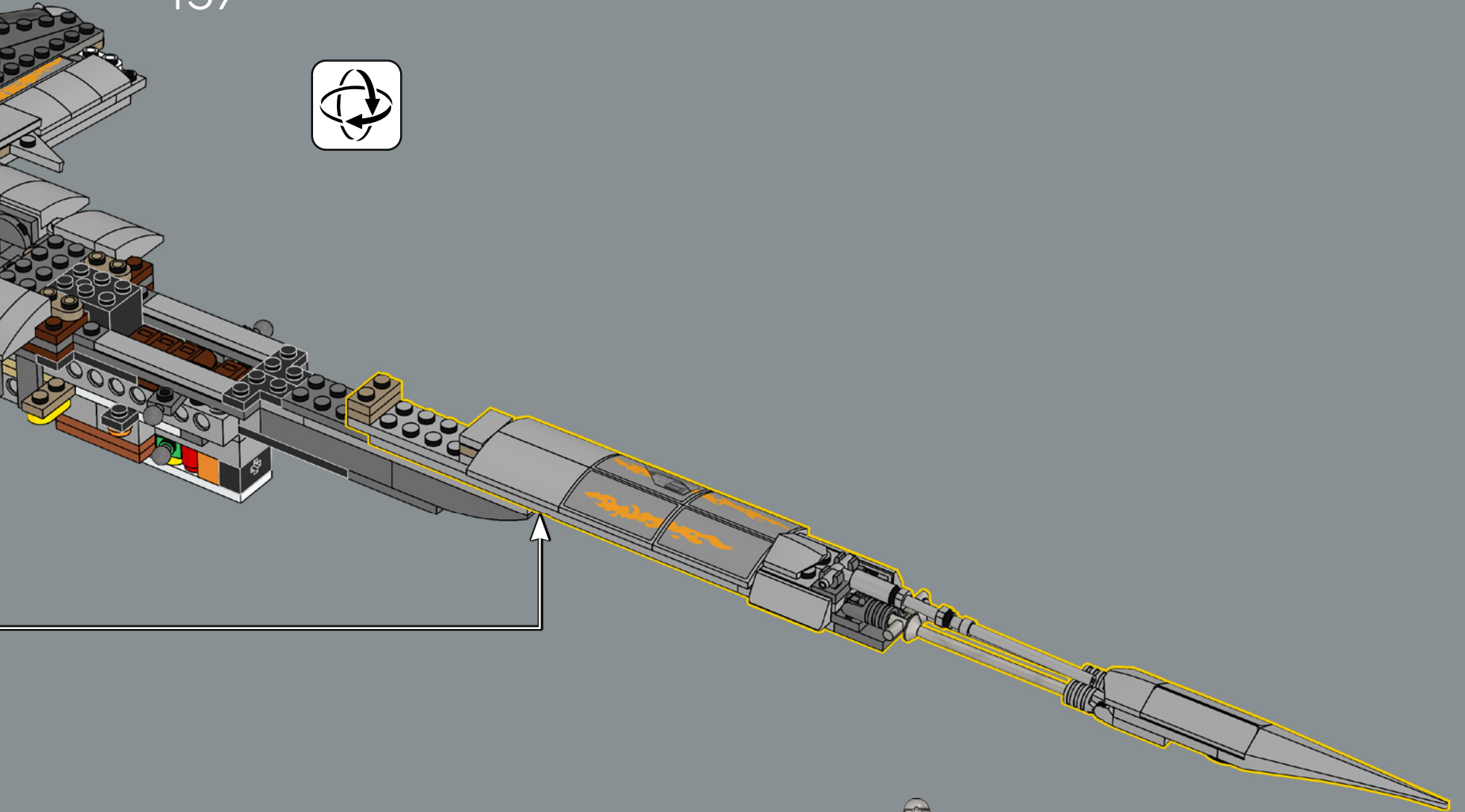


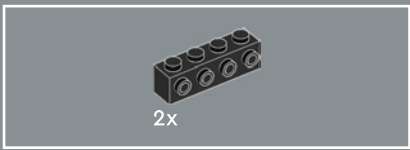


156

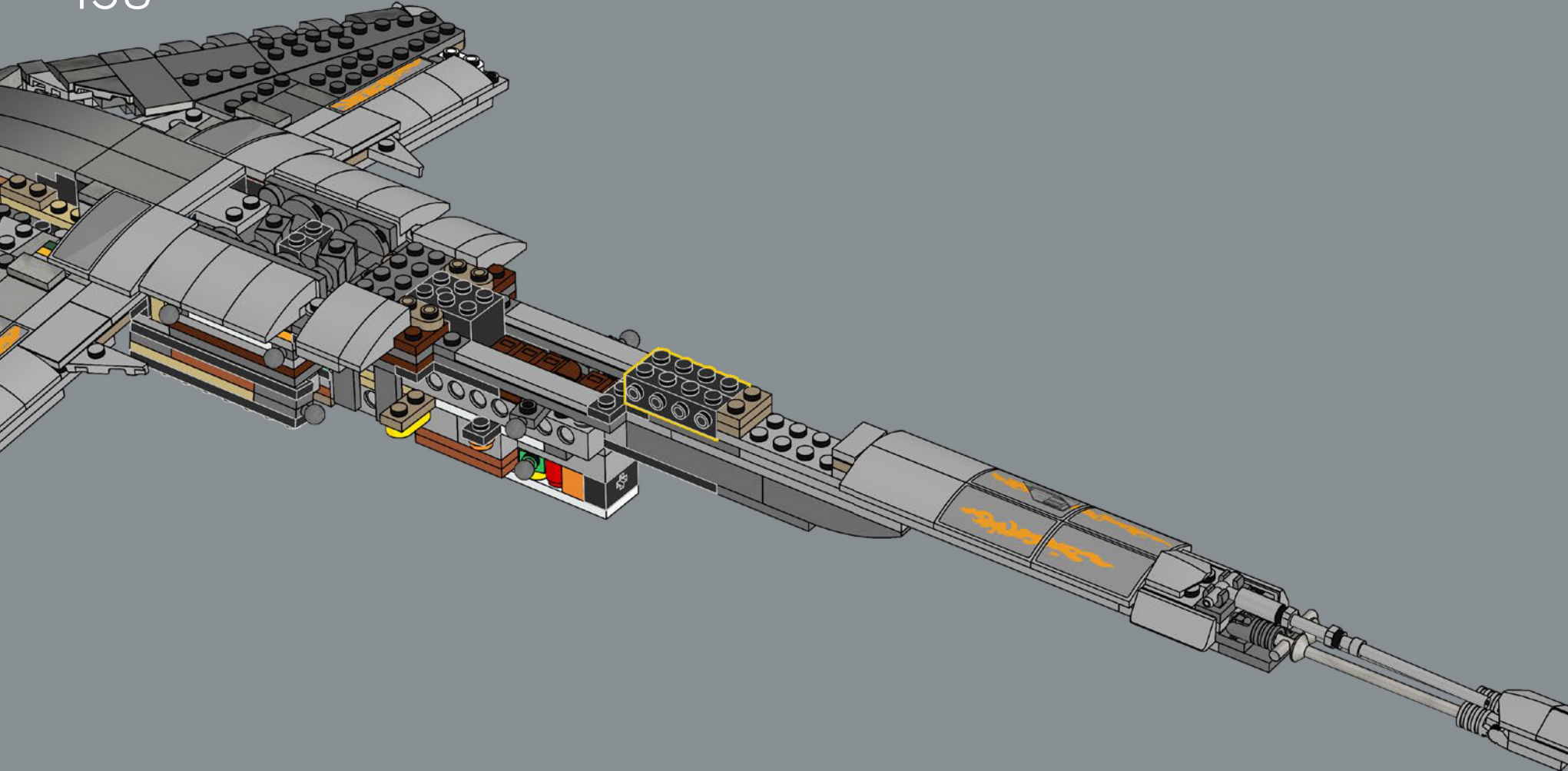


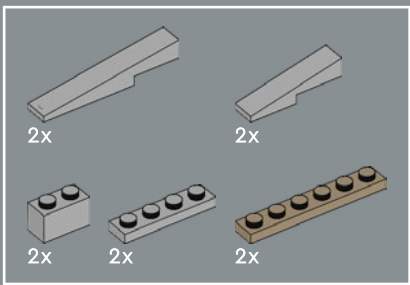
157



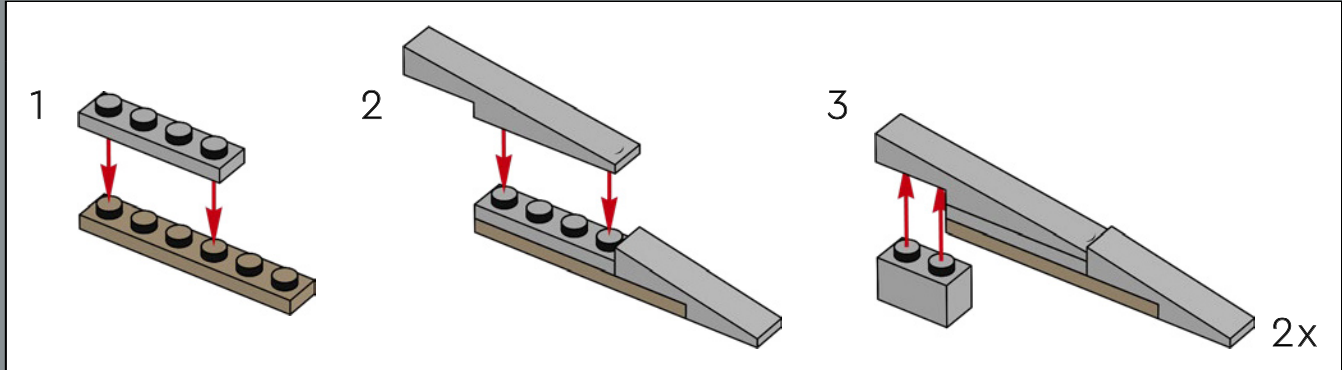
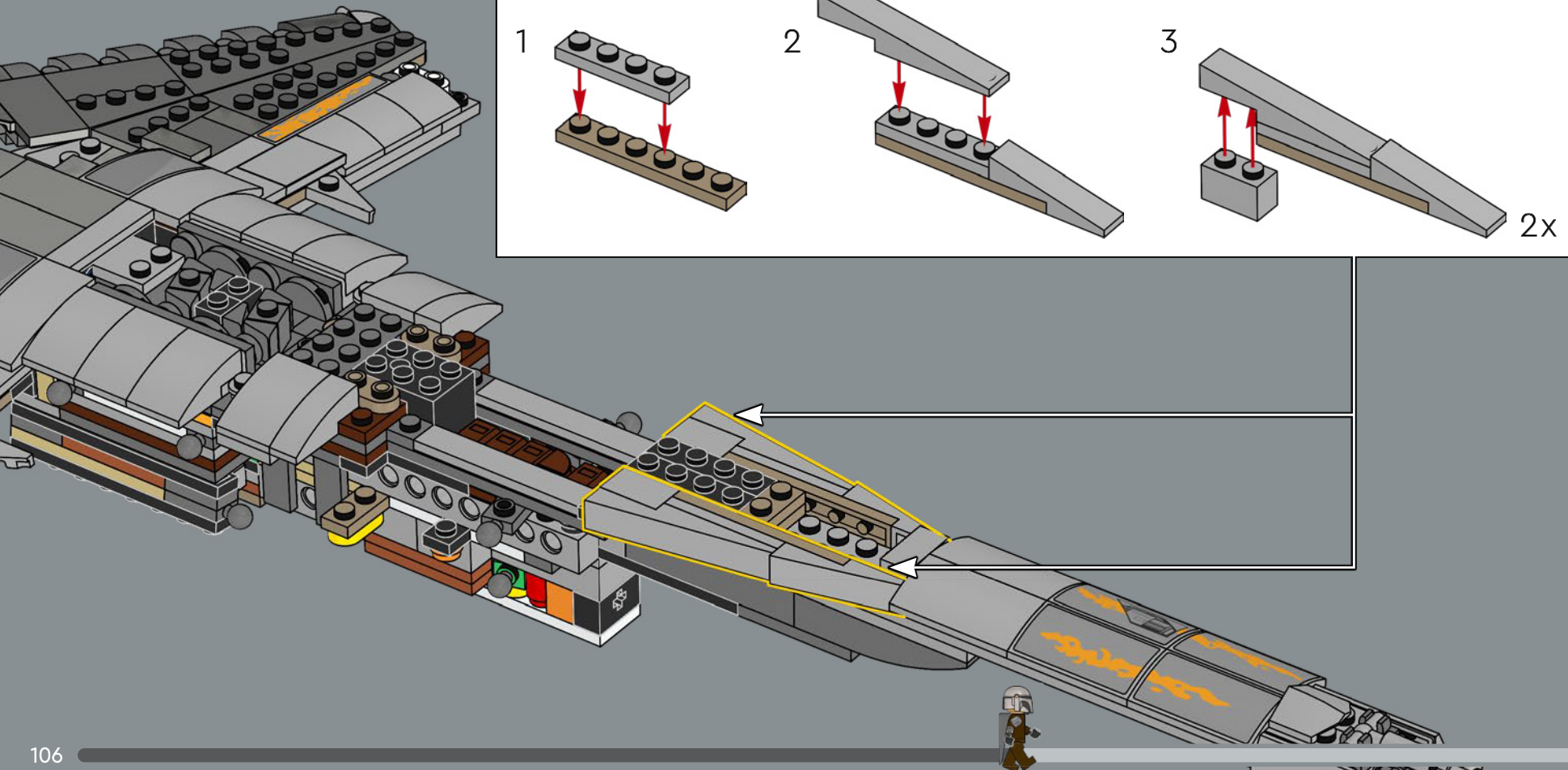


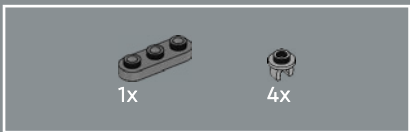
158



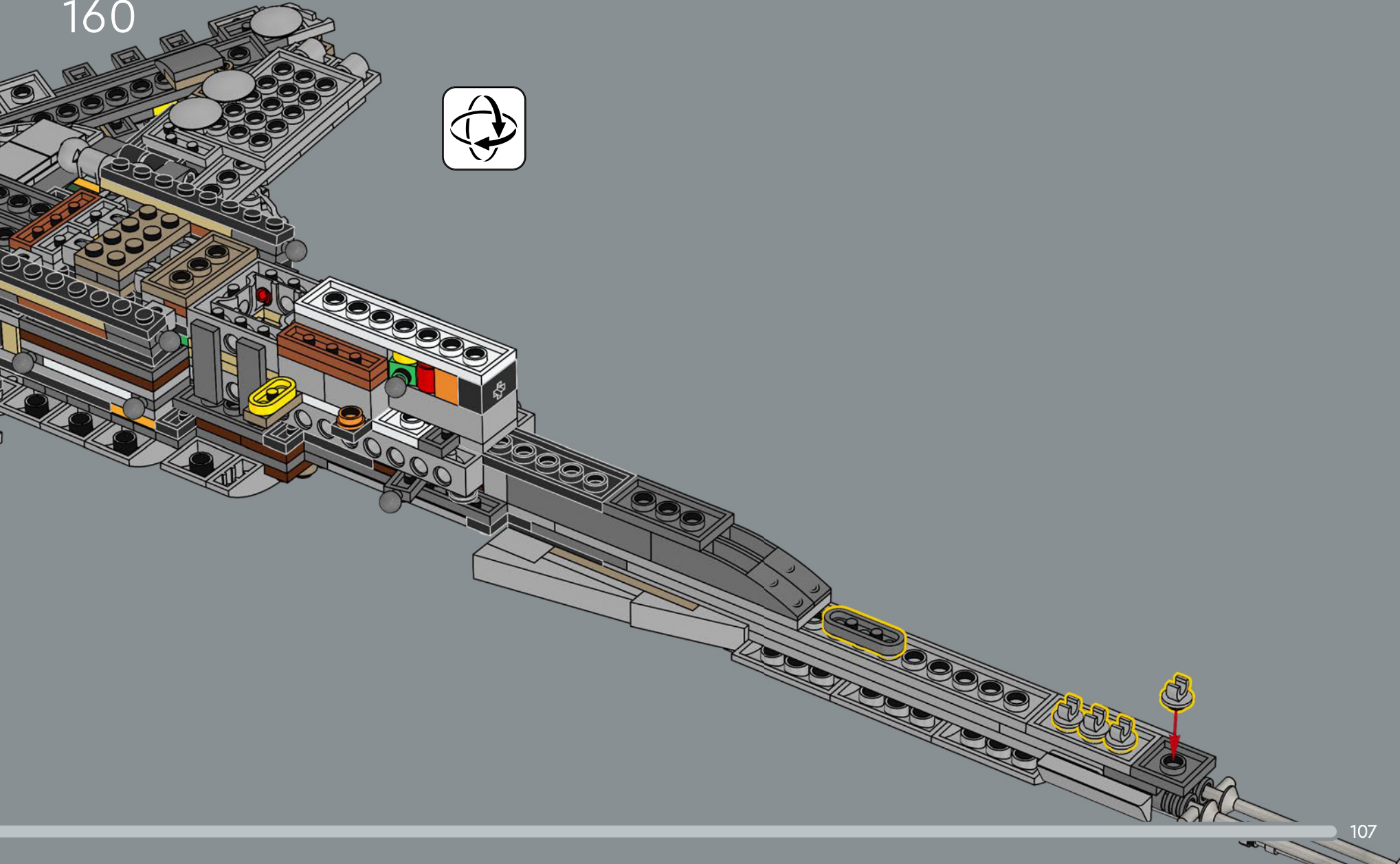


159



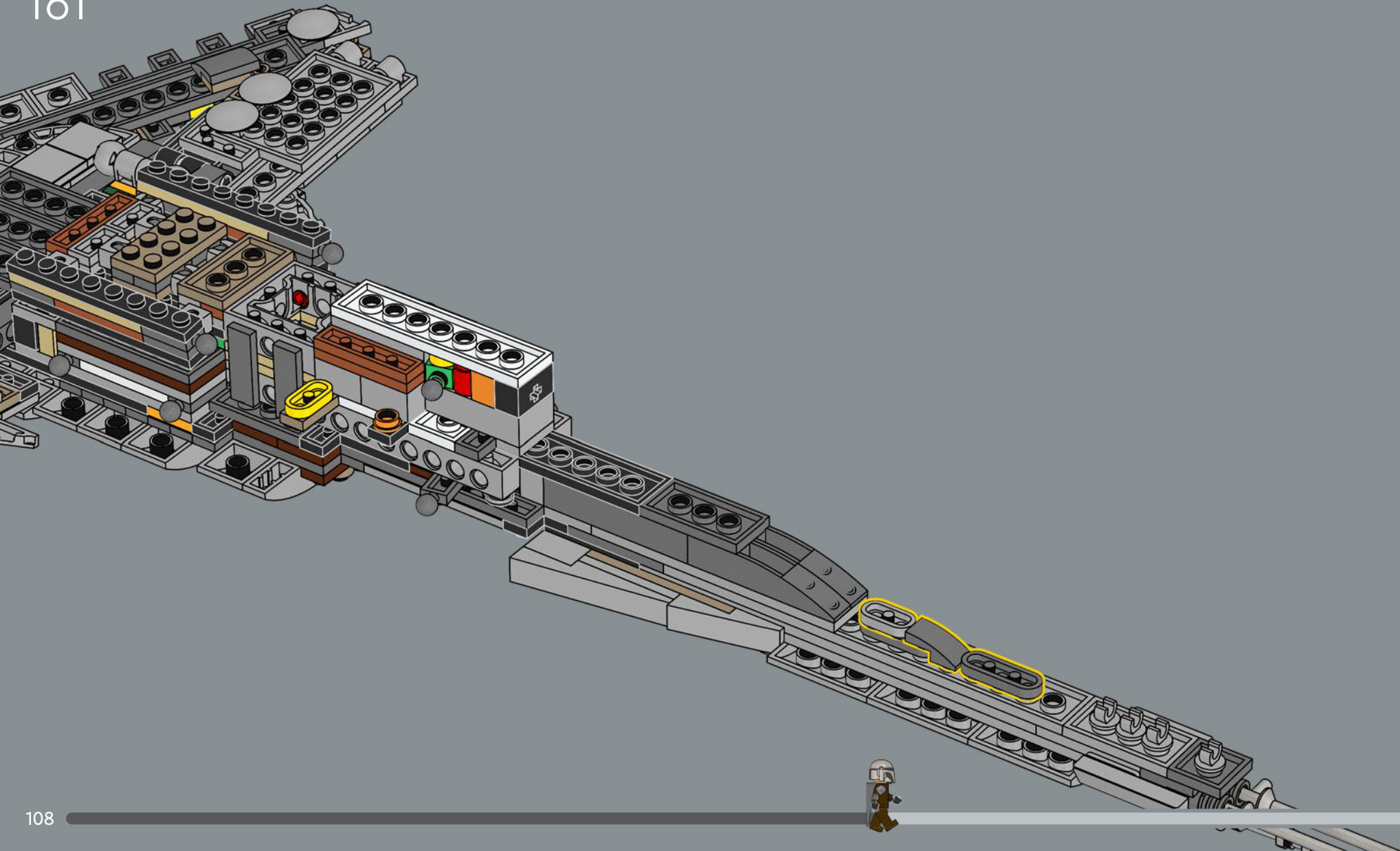


160





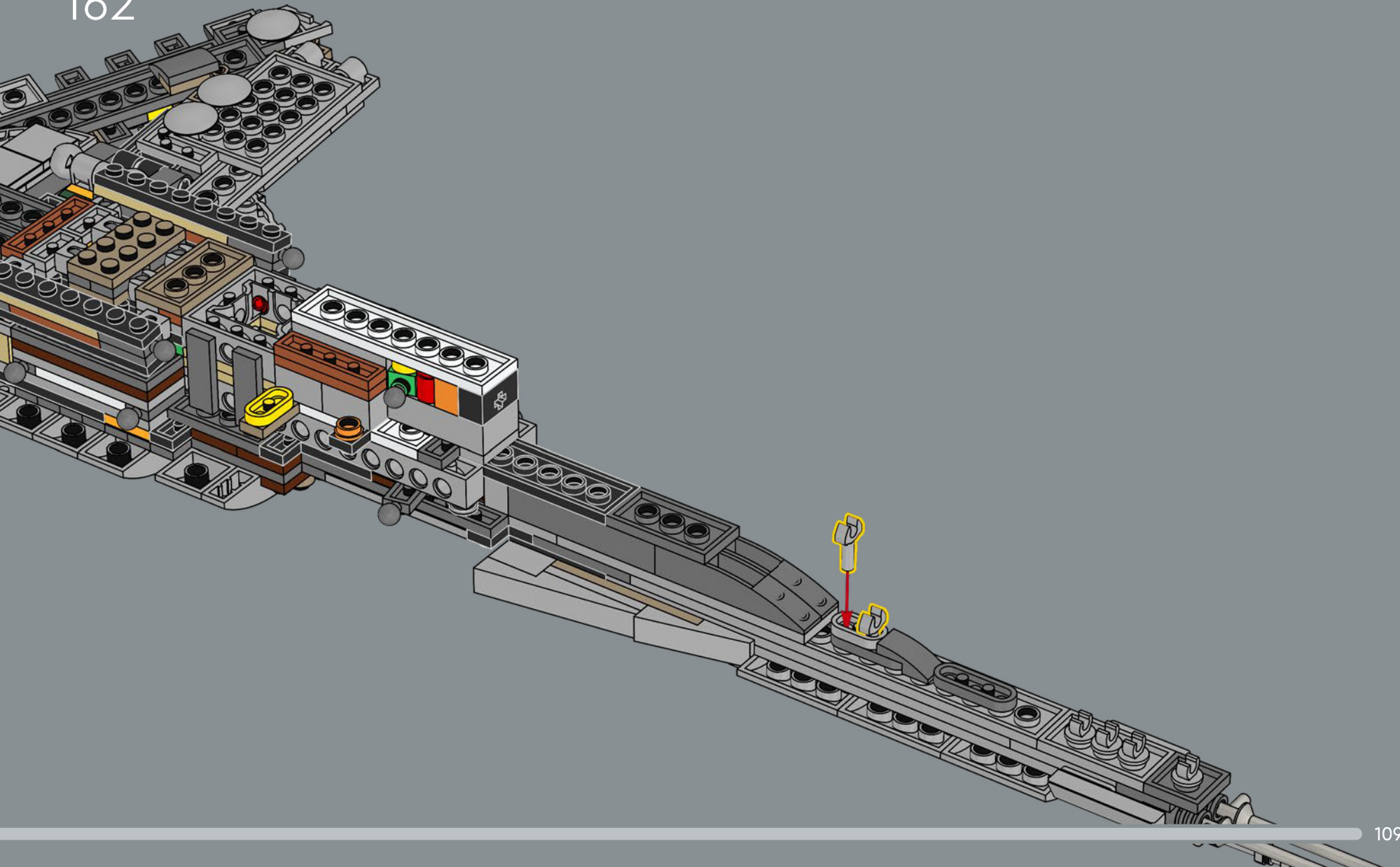
161

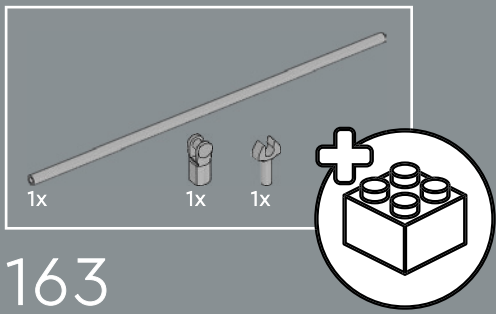




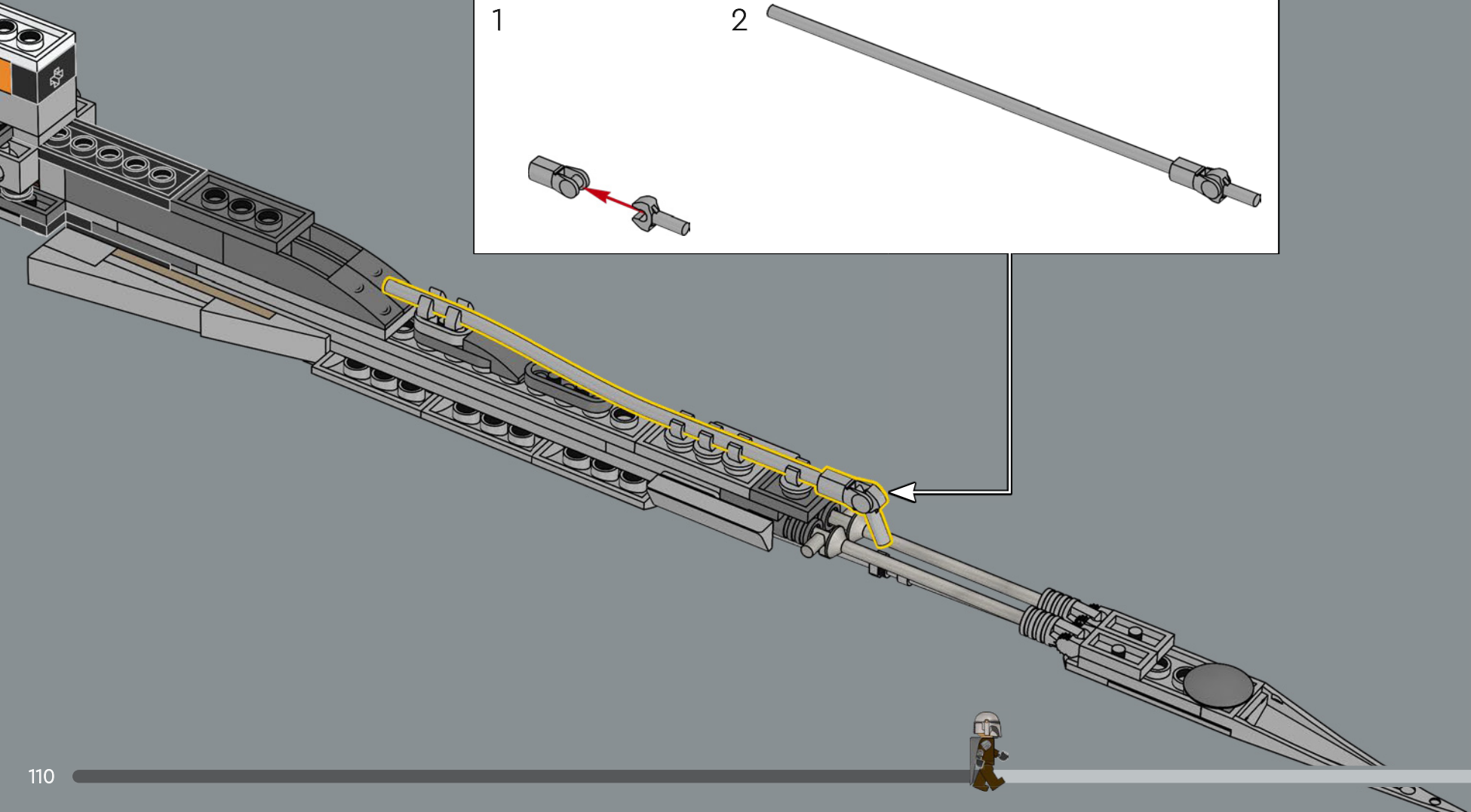
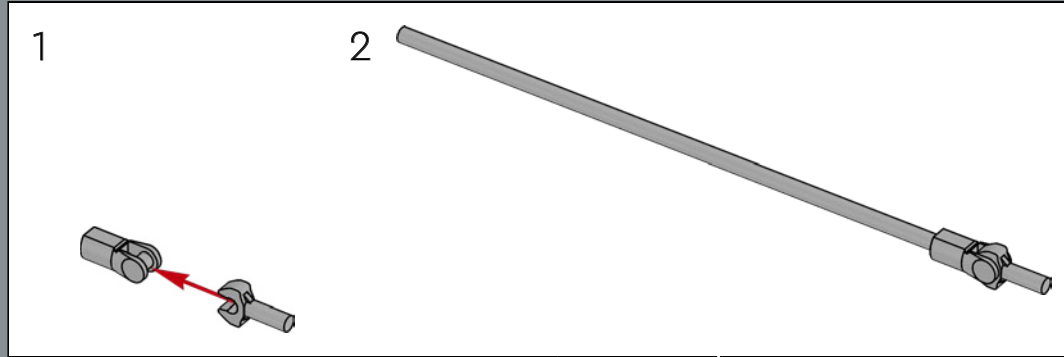
2x

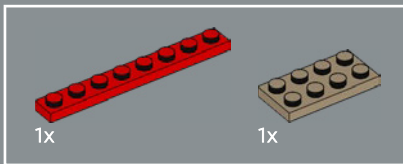
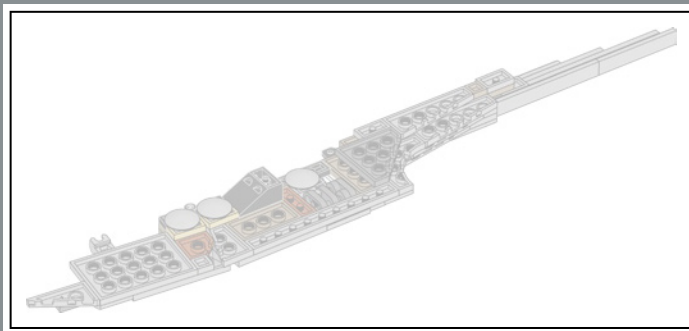
162



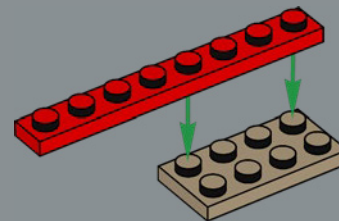


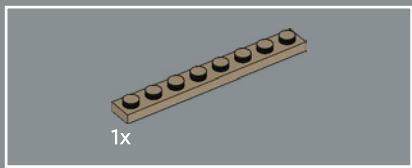
163



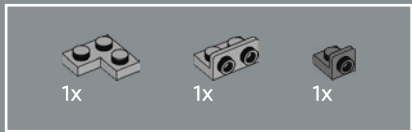
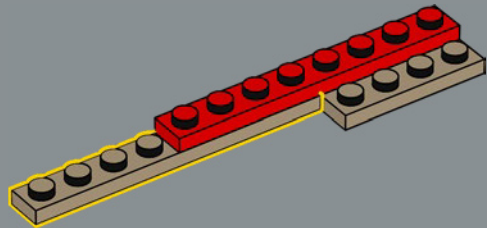


164

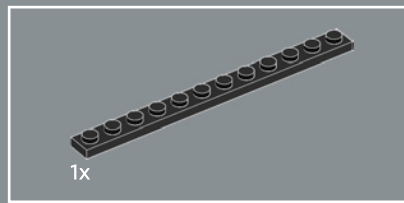
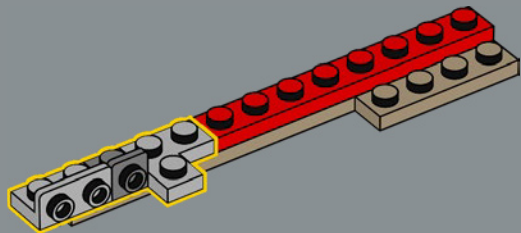




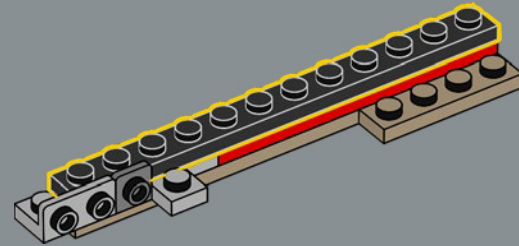
165



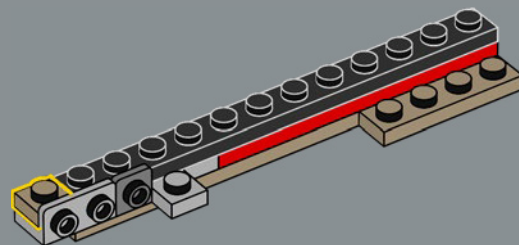
166

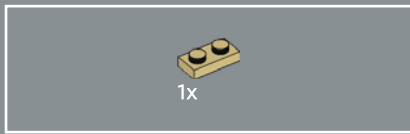


167

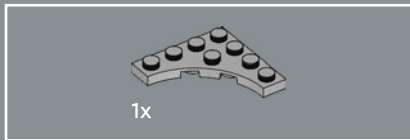
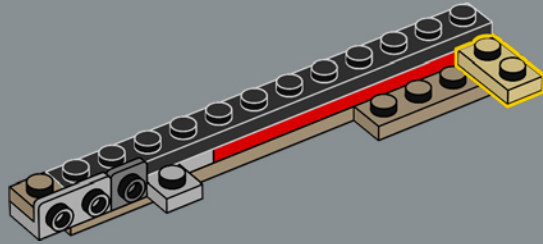


168

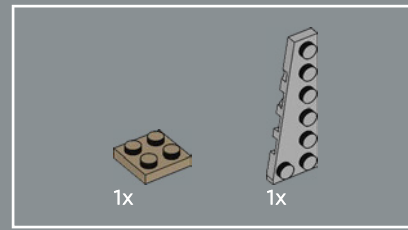
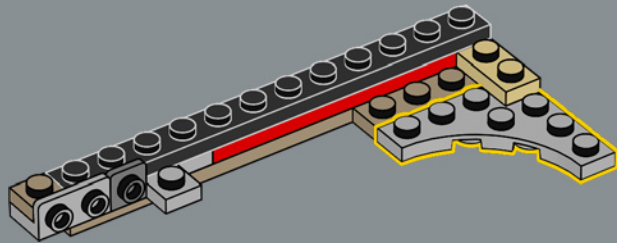




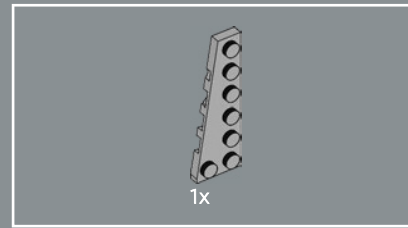
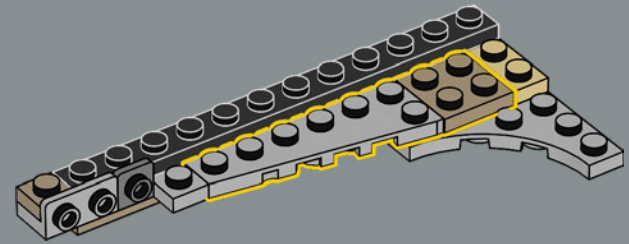
169



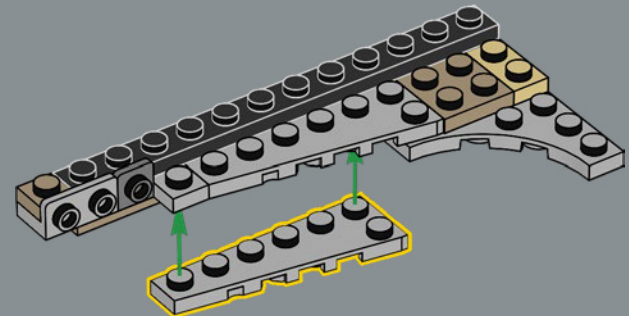
170

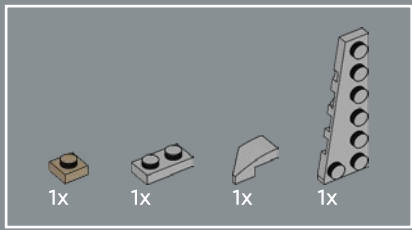


171

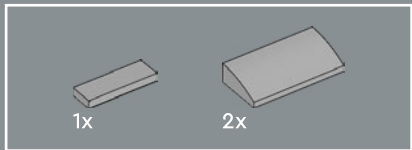
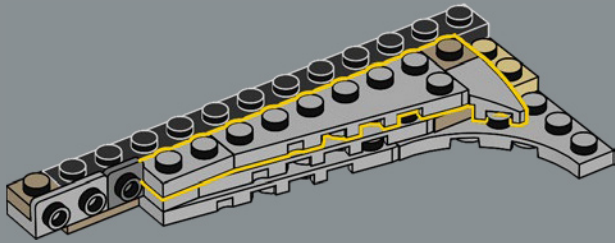


172

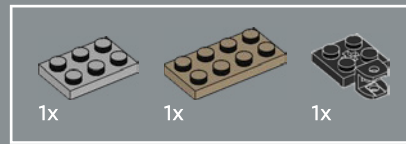
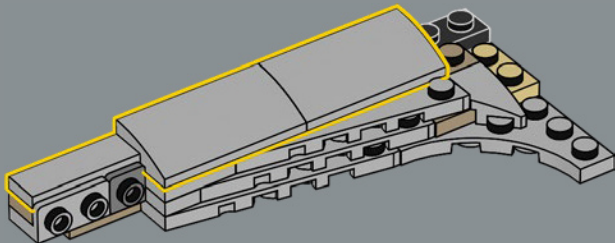




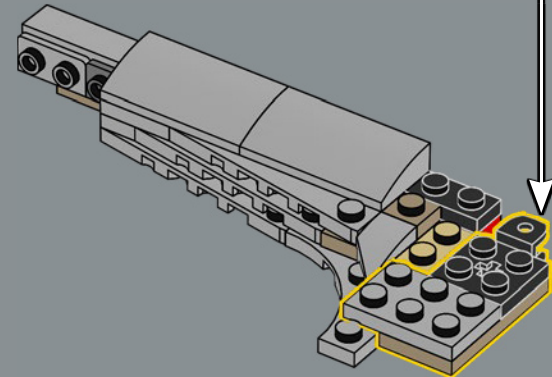
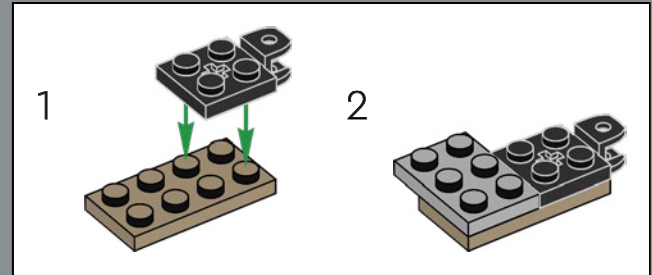
173

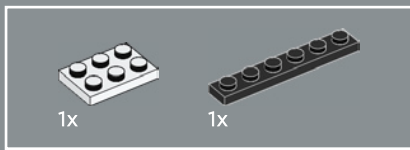


174

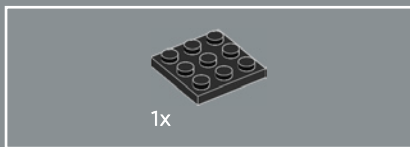
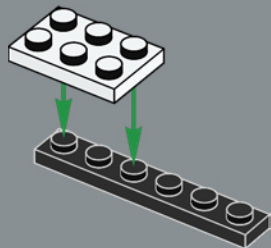


175

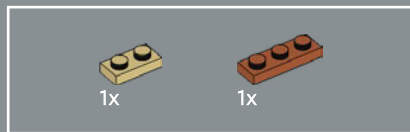
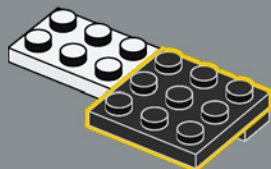




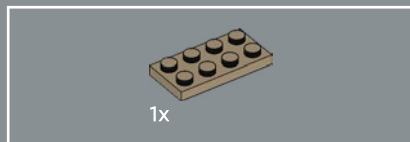
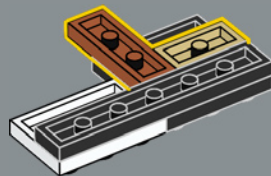
176



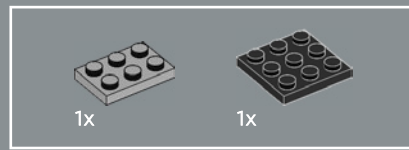
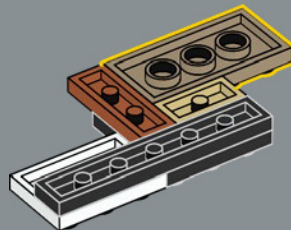
177



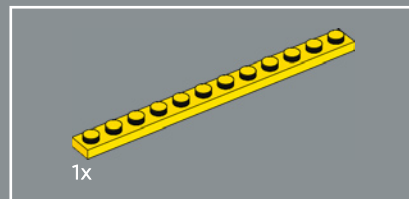
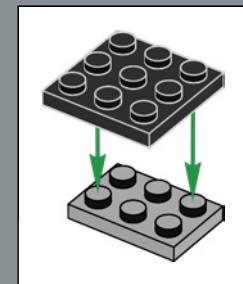
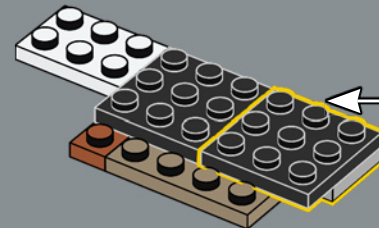
178



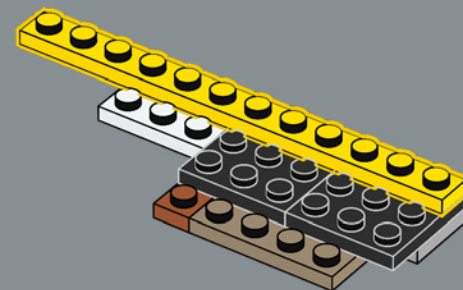
179

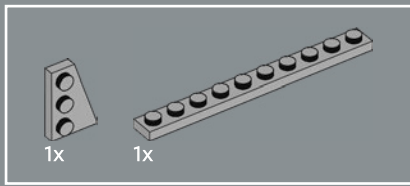


180

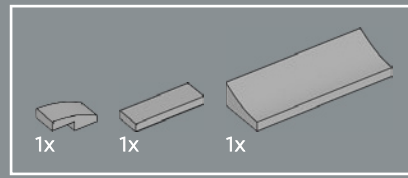


181

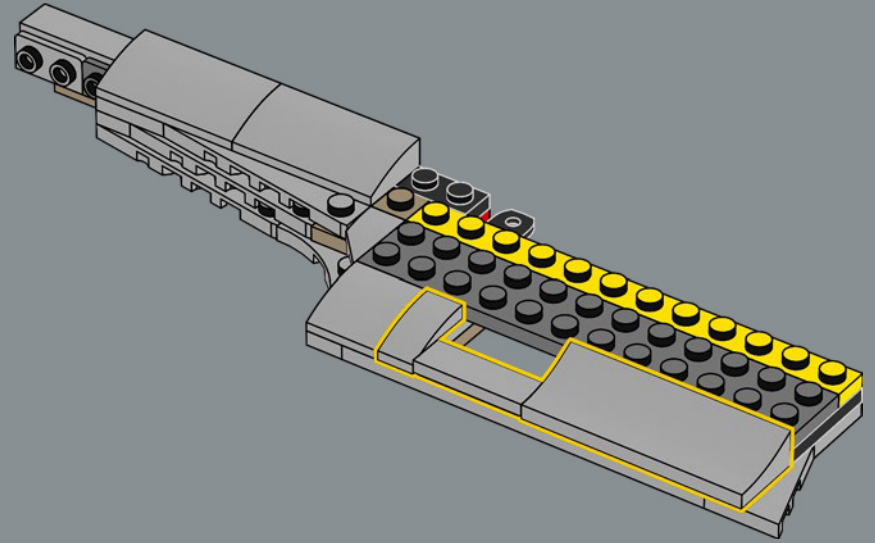
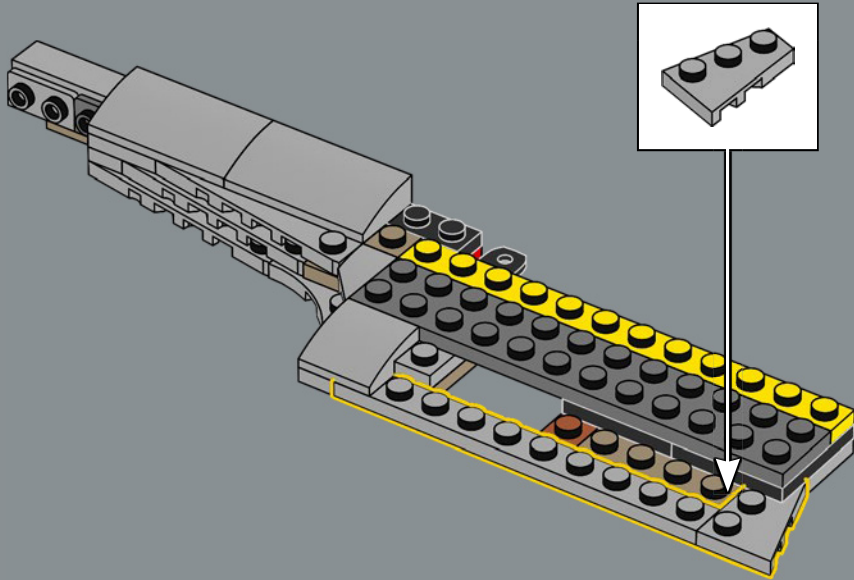


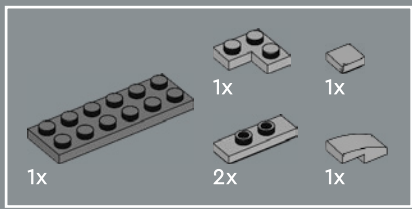


184

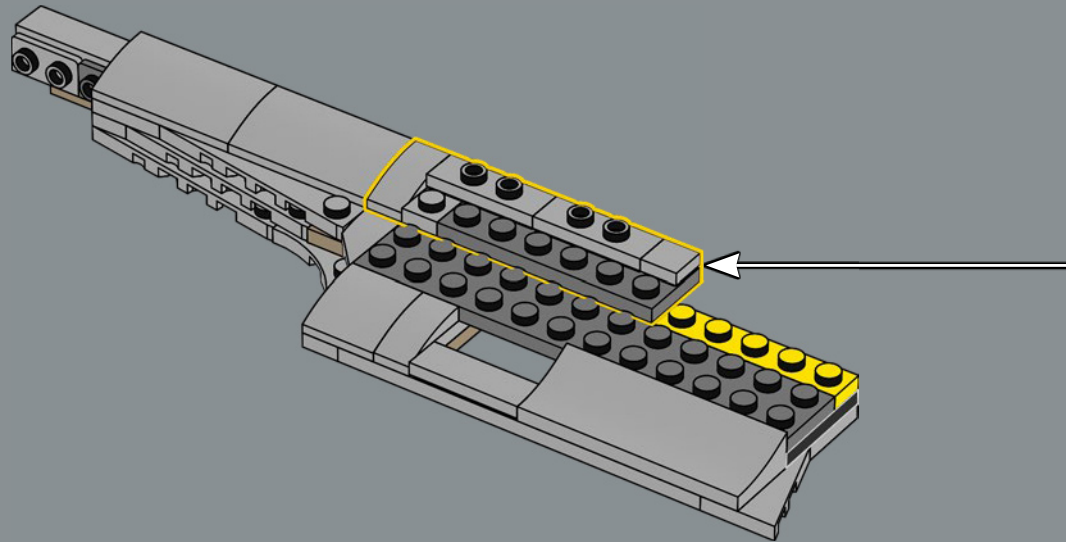
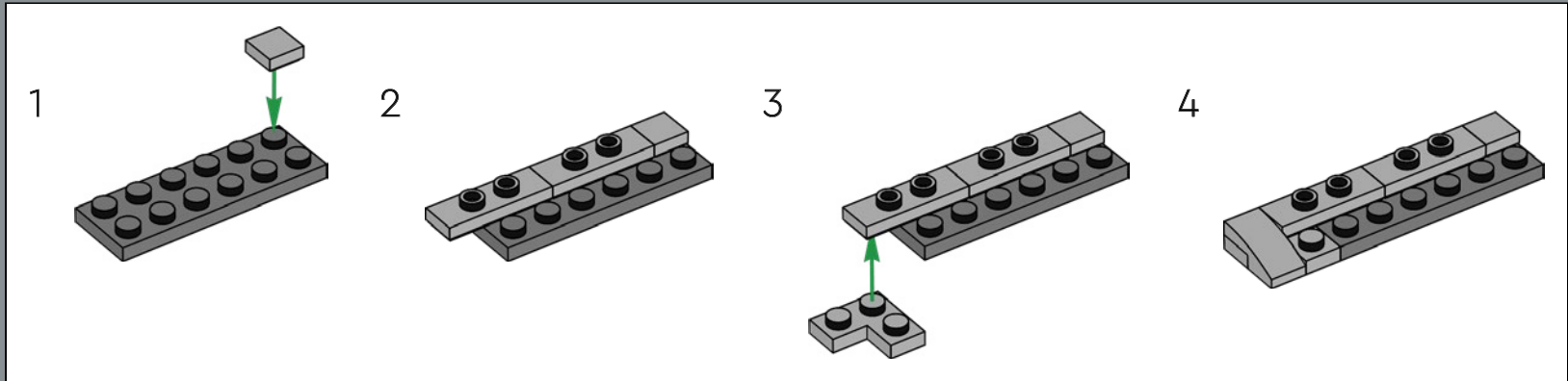


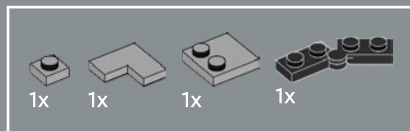
185



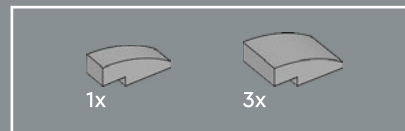
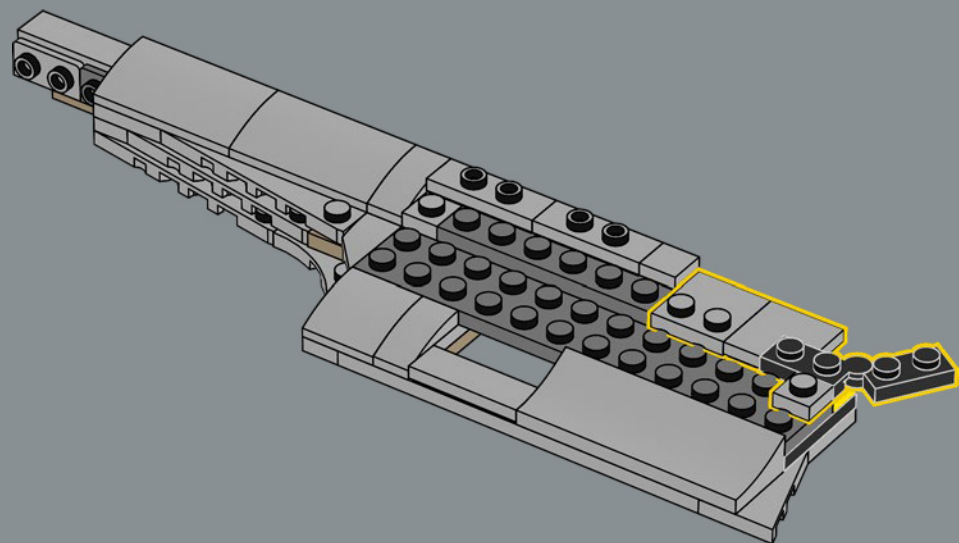


186

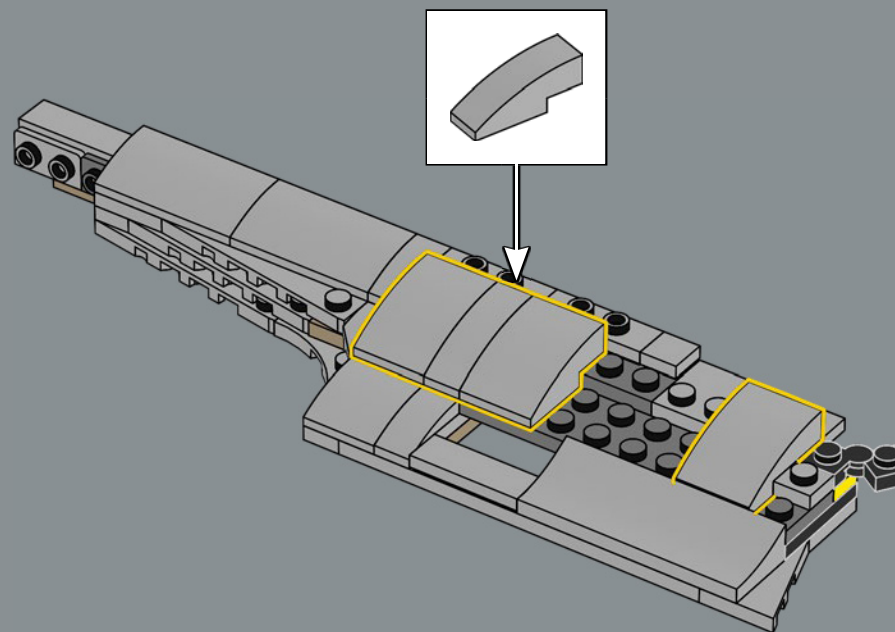


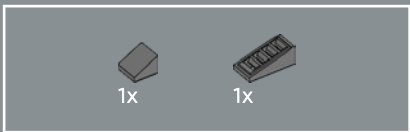


187

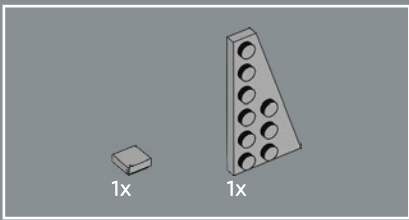
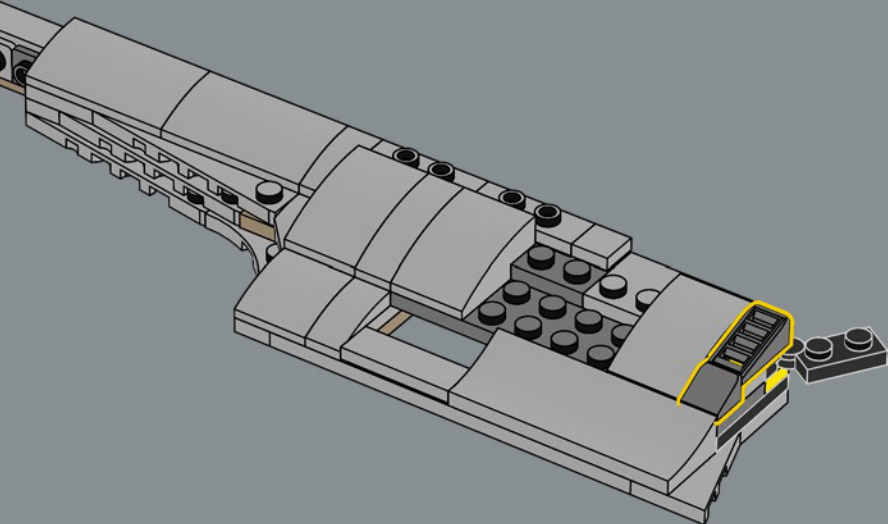


188

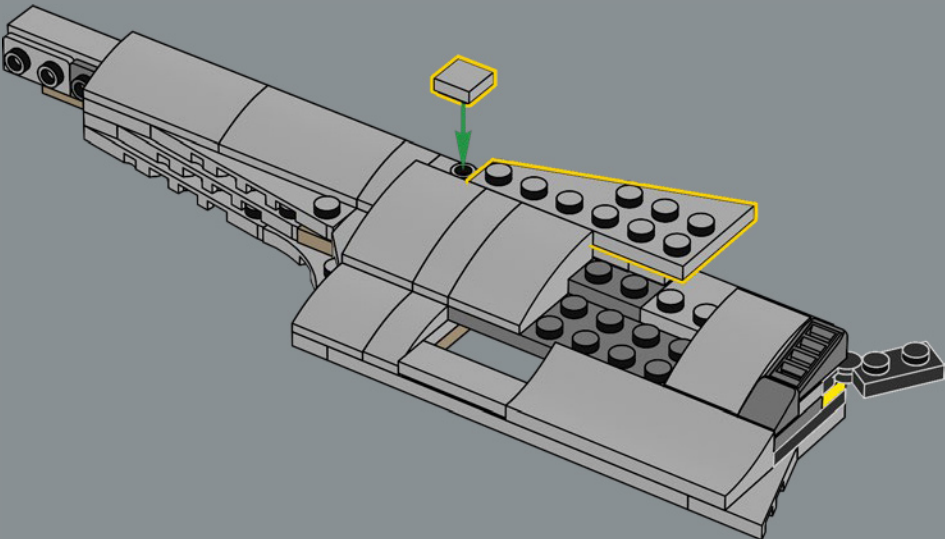


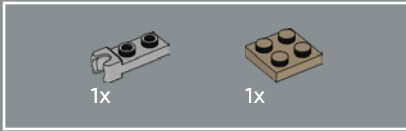
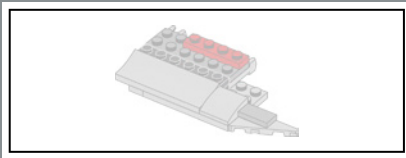


189

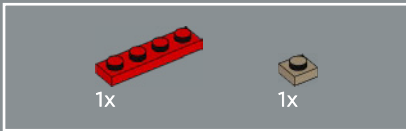
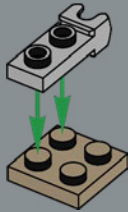


190

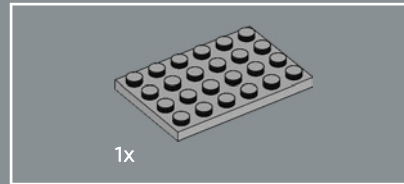
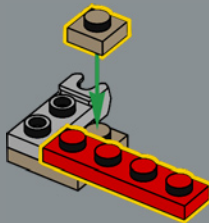




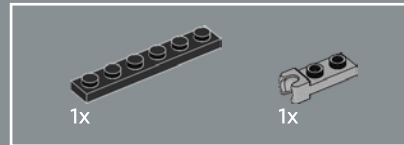
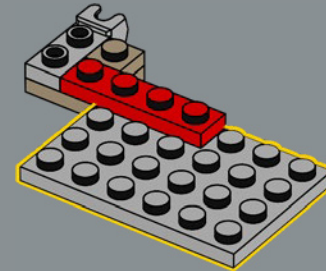
191



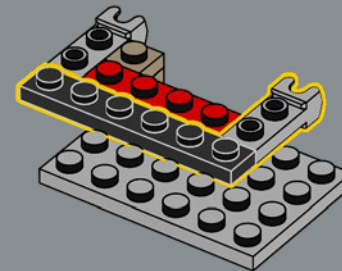
192



193



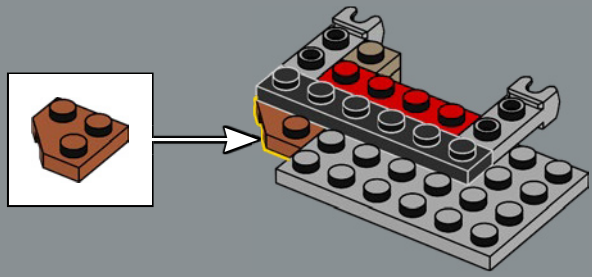
194





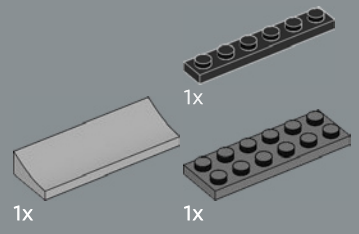
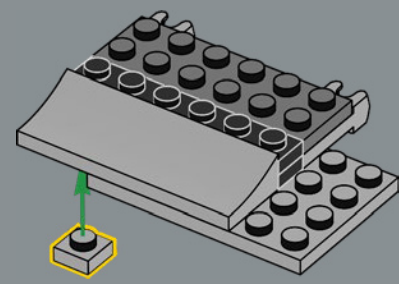
1x

195

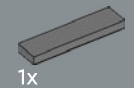
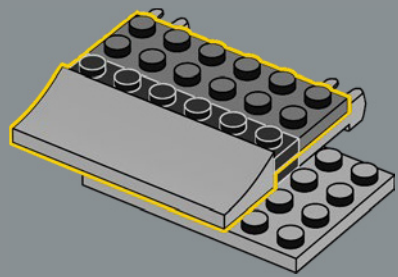


1x

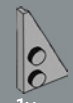
197



196

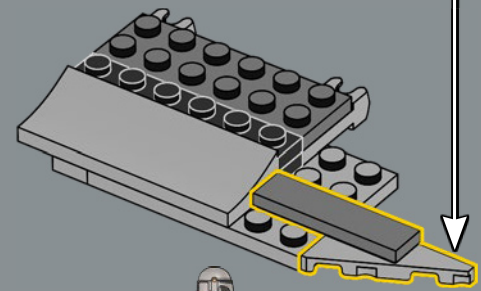
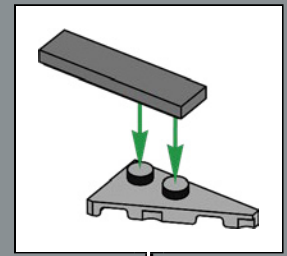


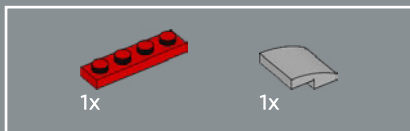
1x



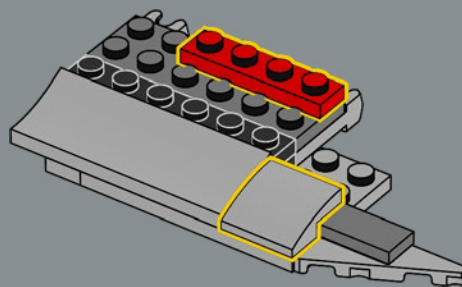
1x

198

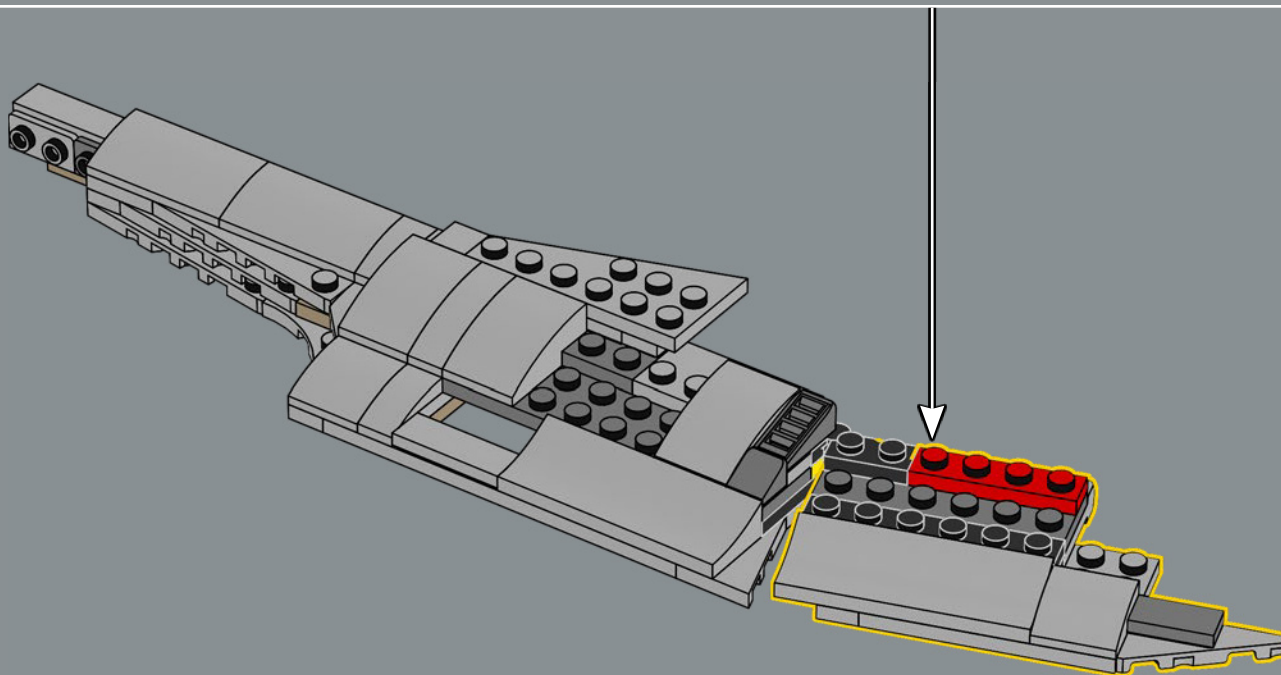


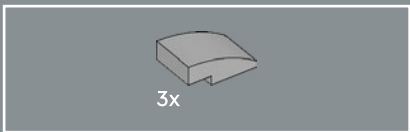


199

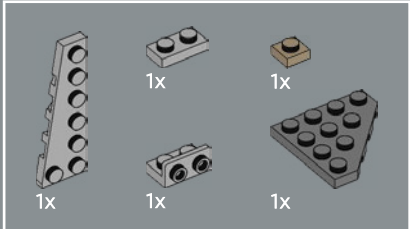
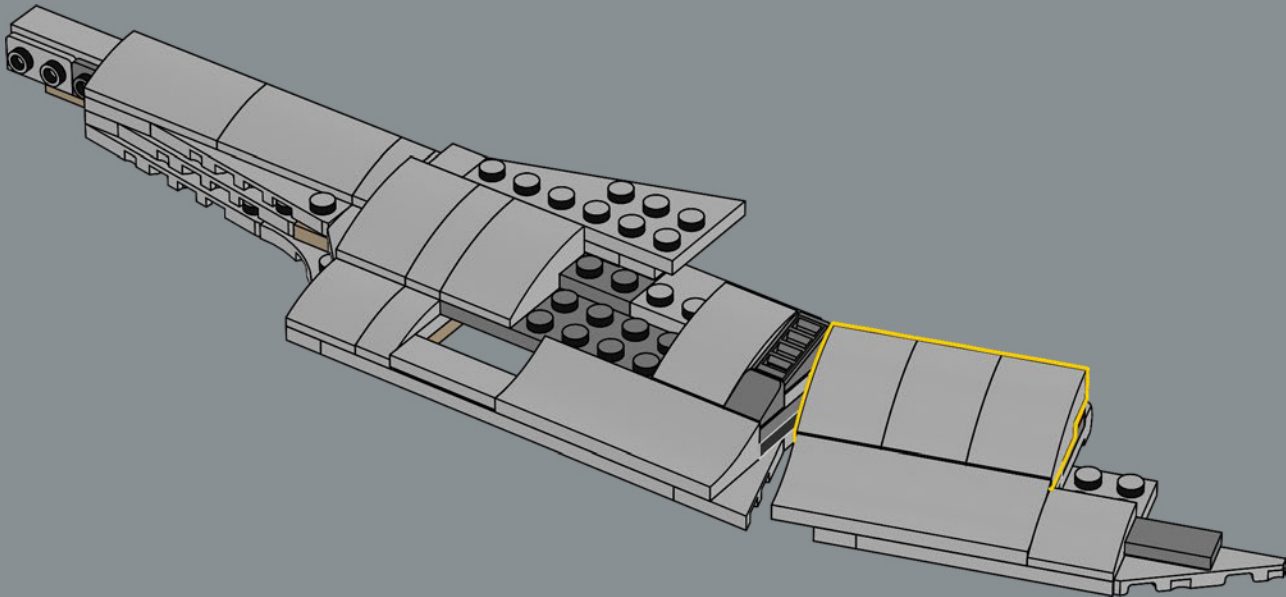


200

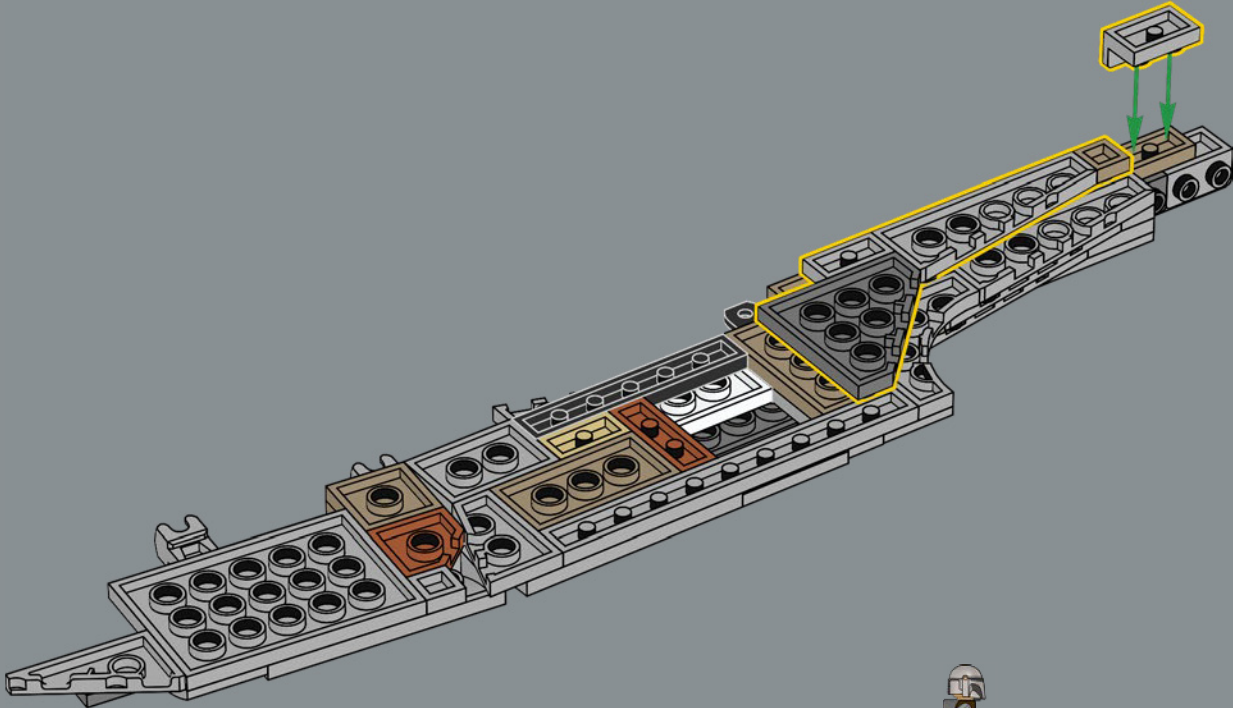


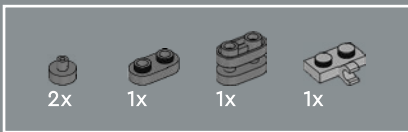


201

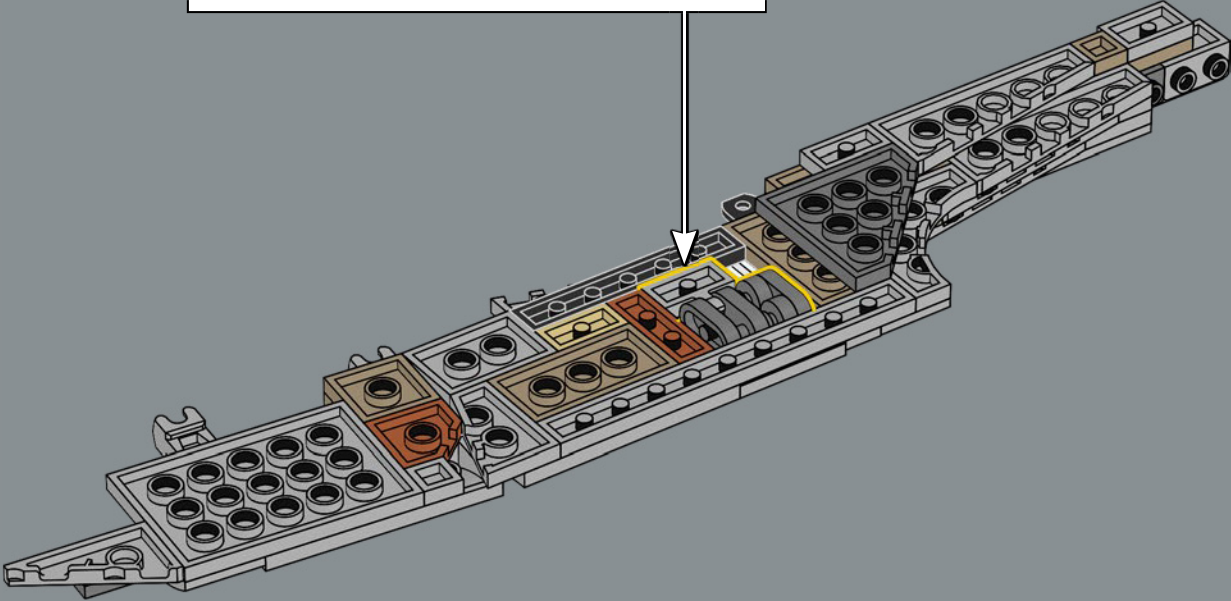
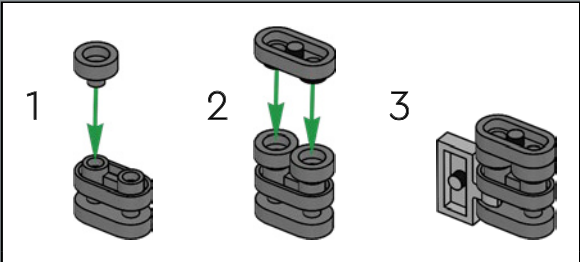


202



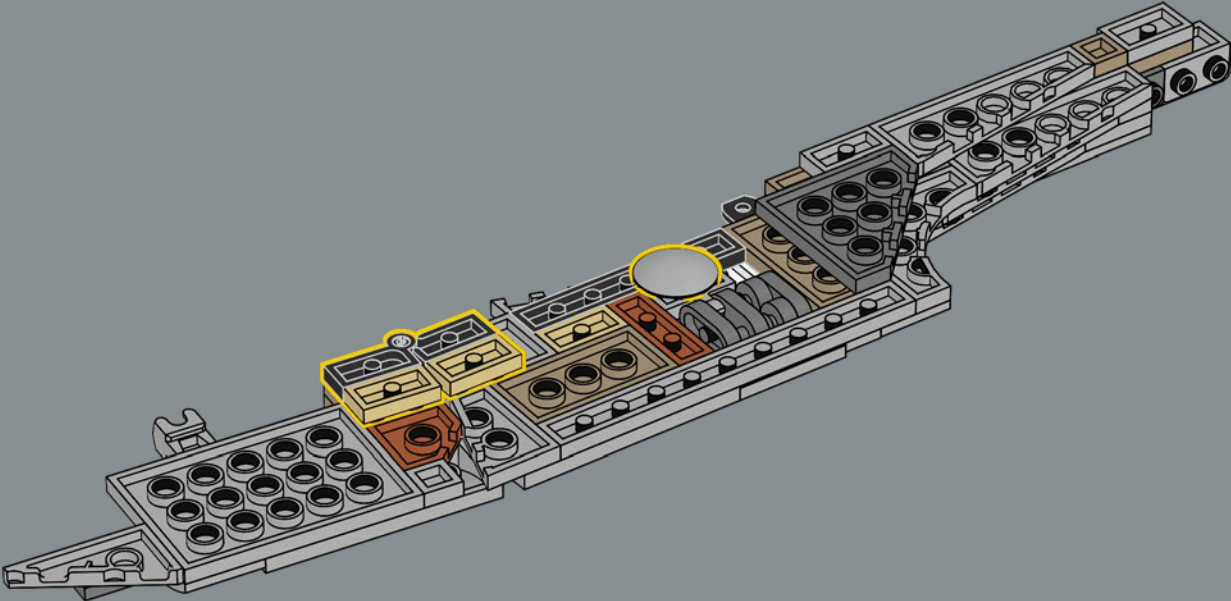


203

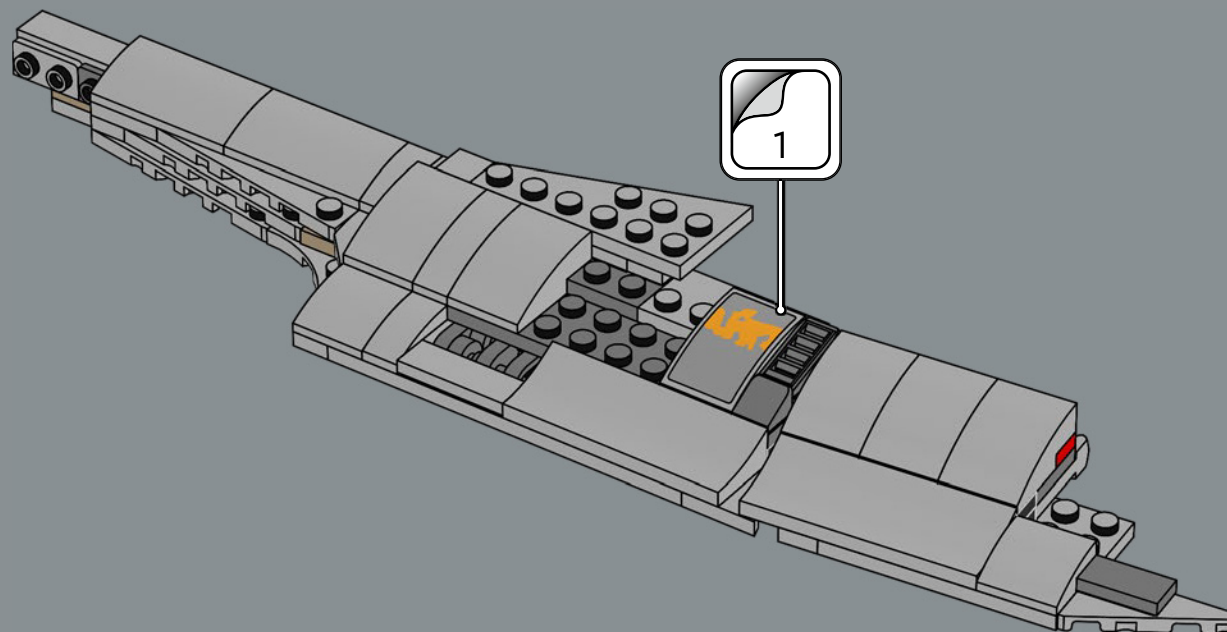


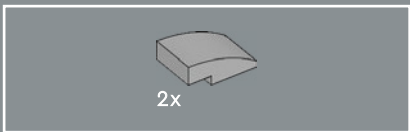


204

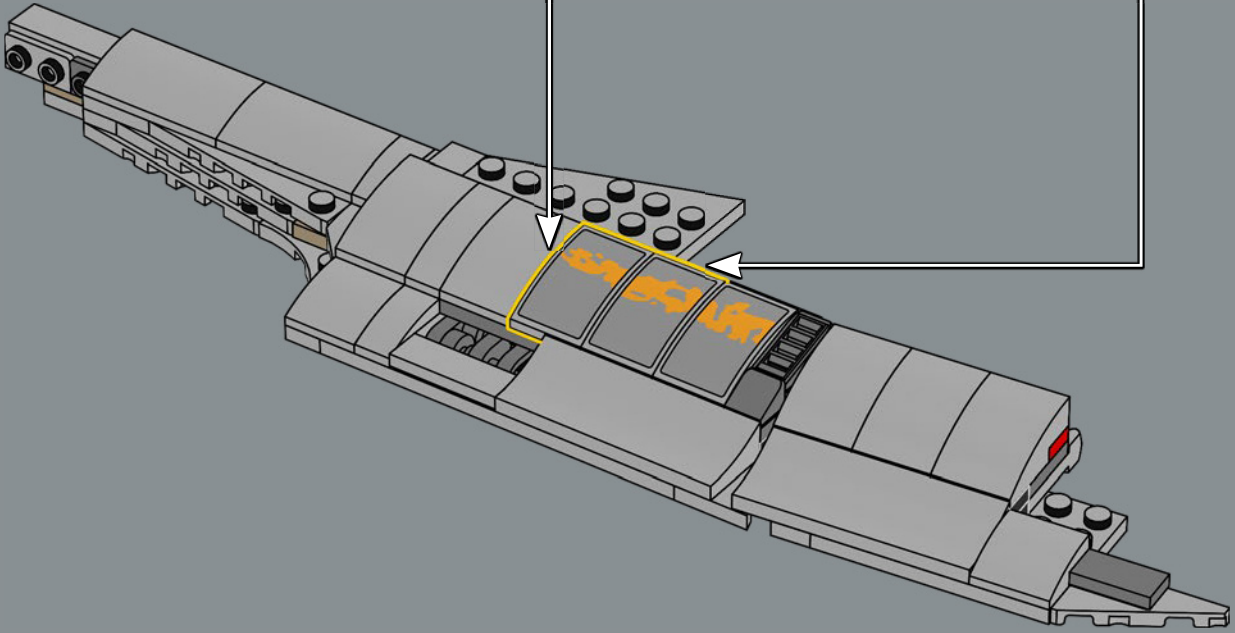
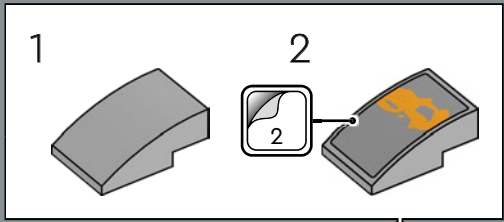
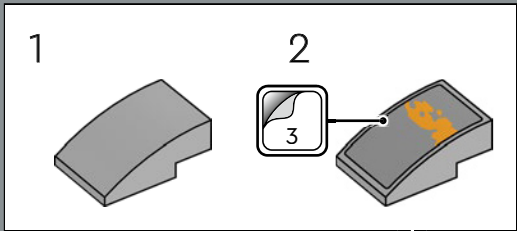


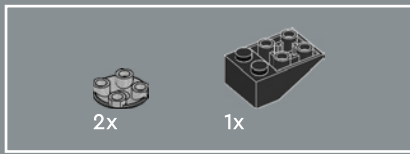
205



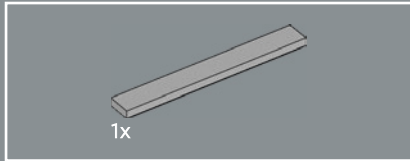
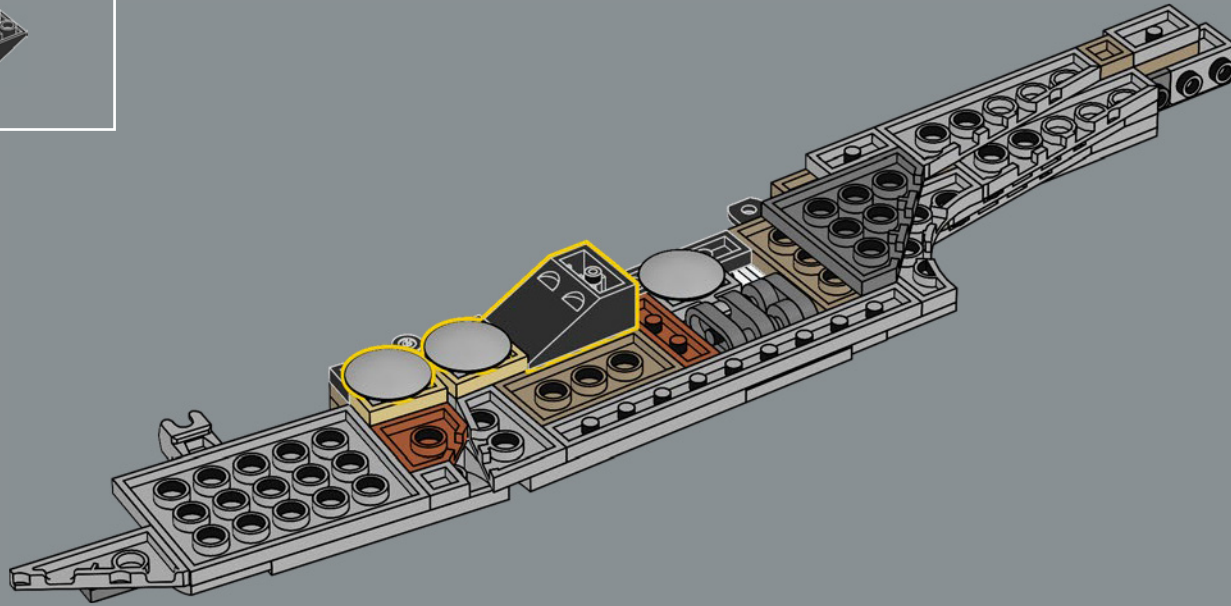


206

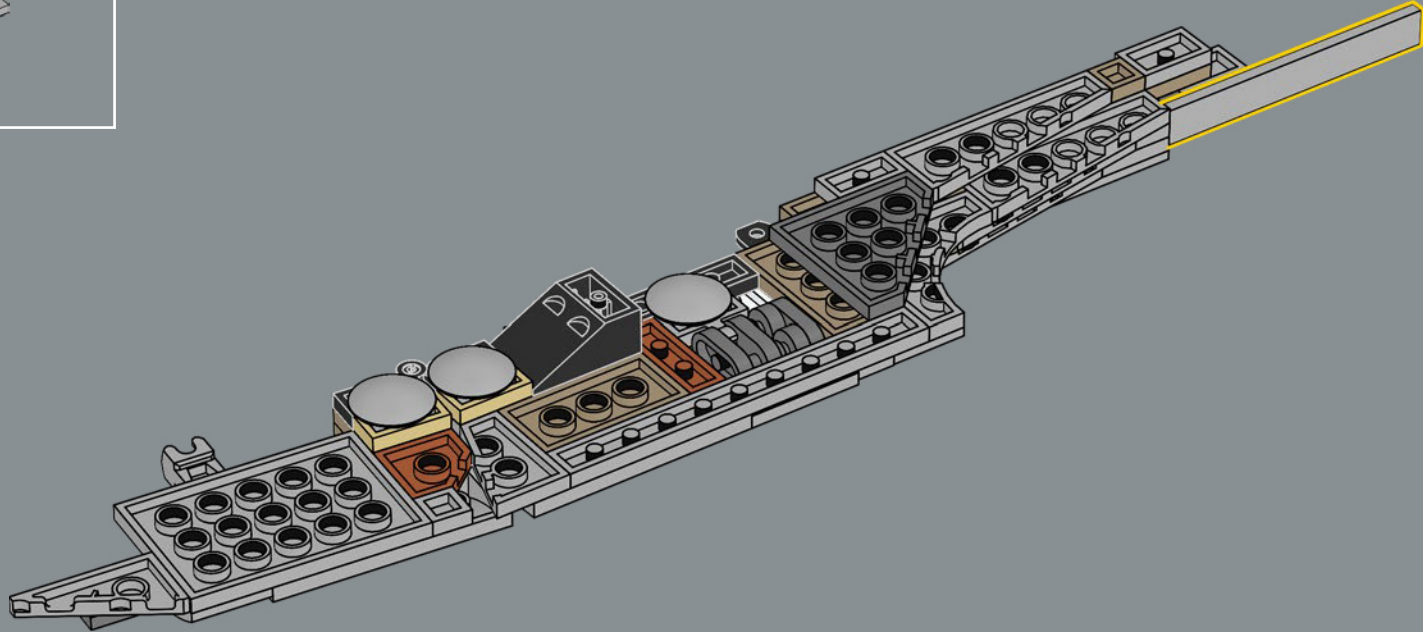


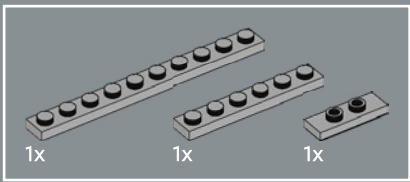


207

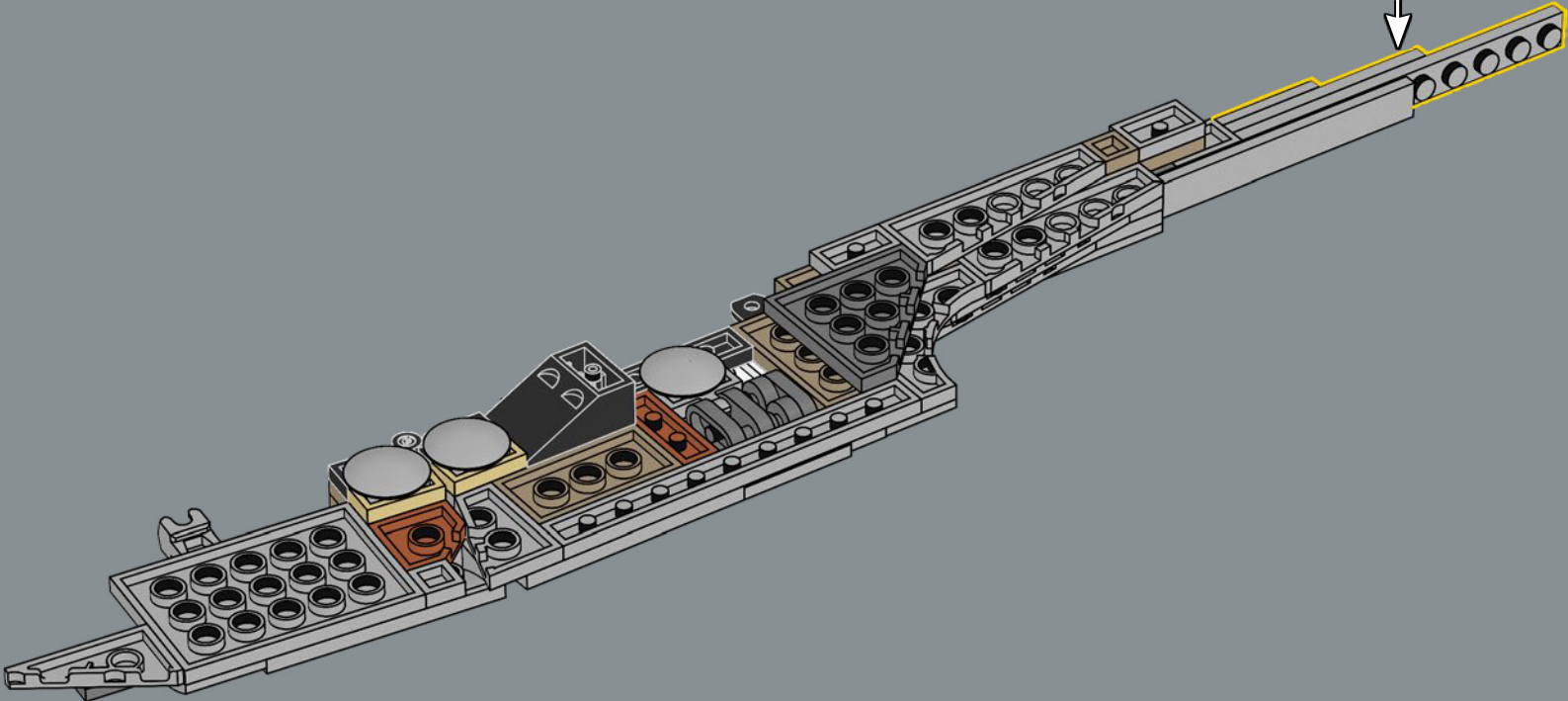
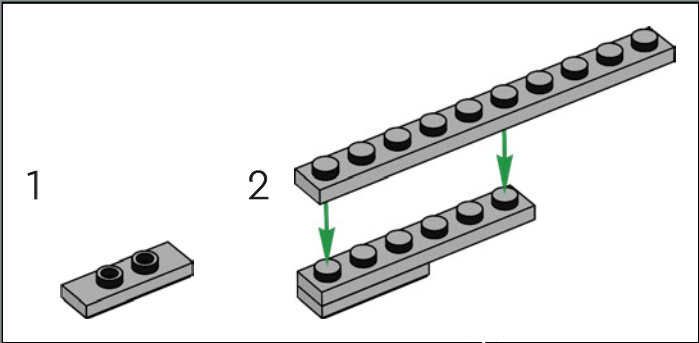


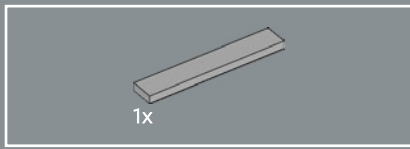
208



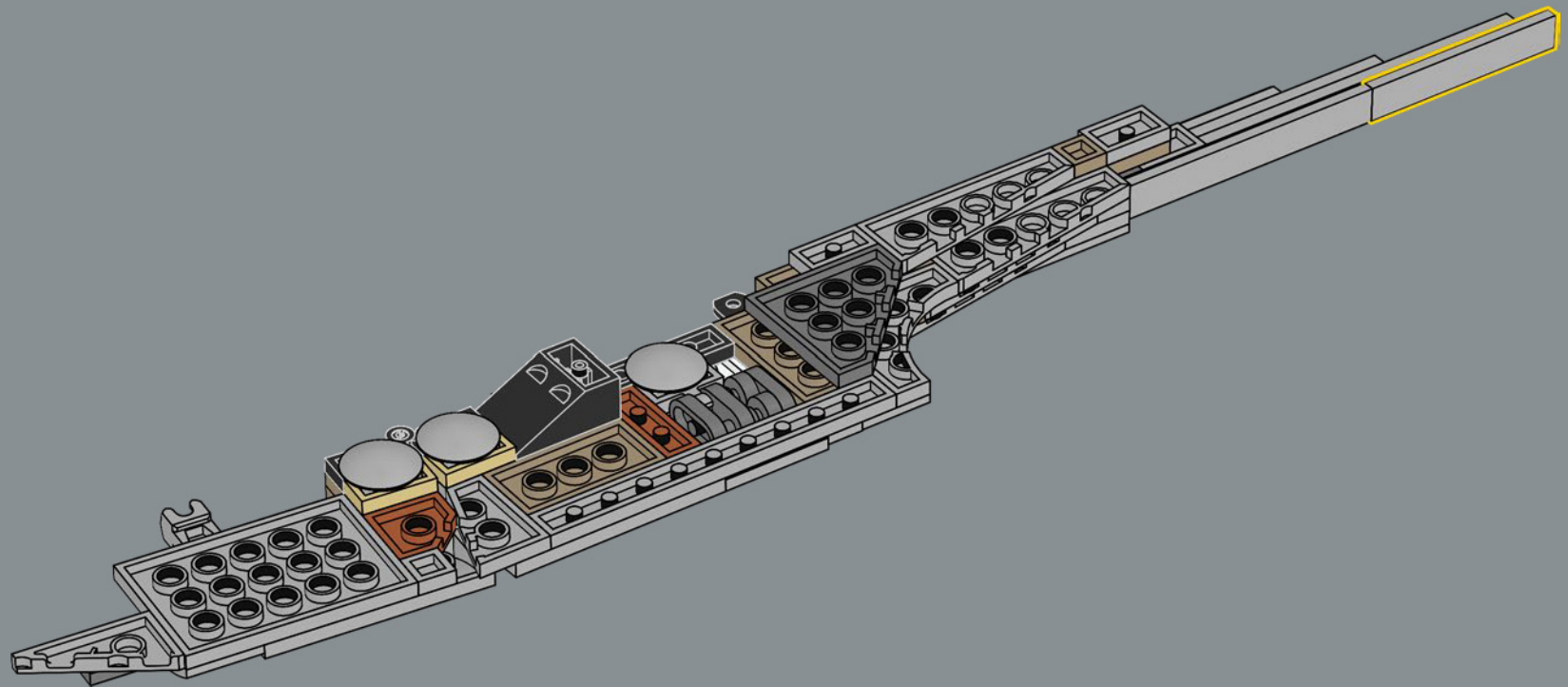


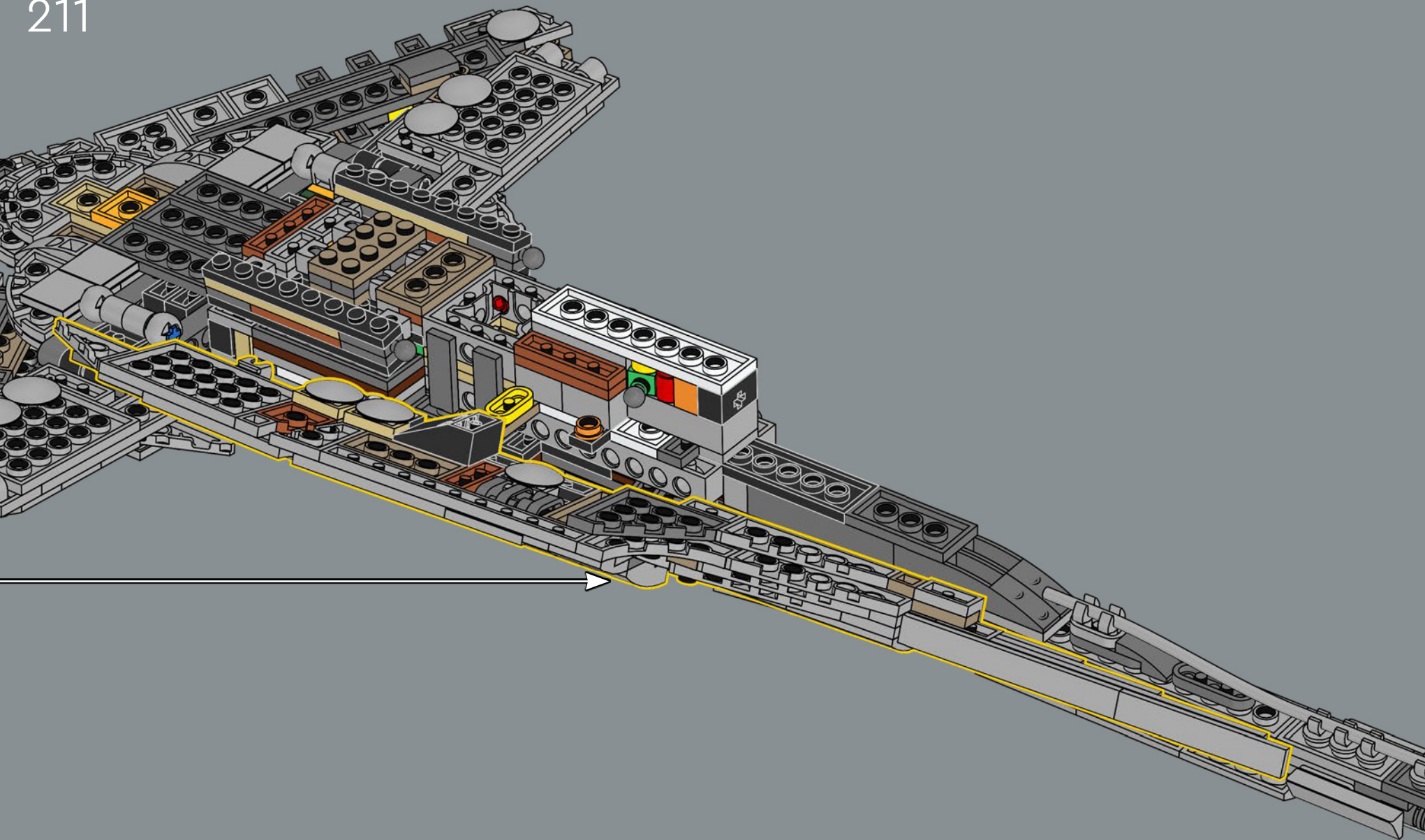
209

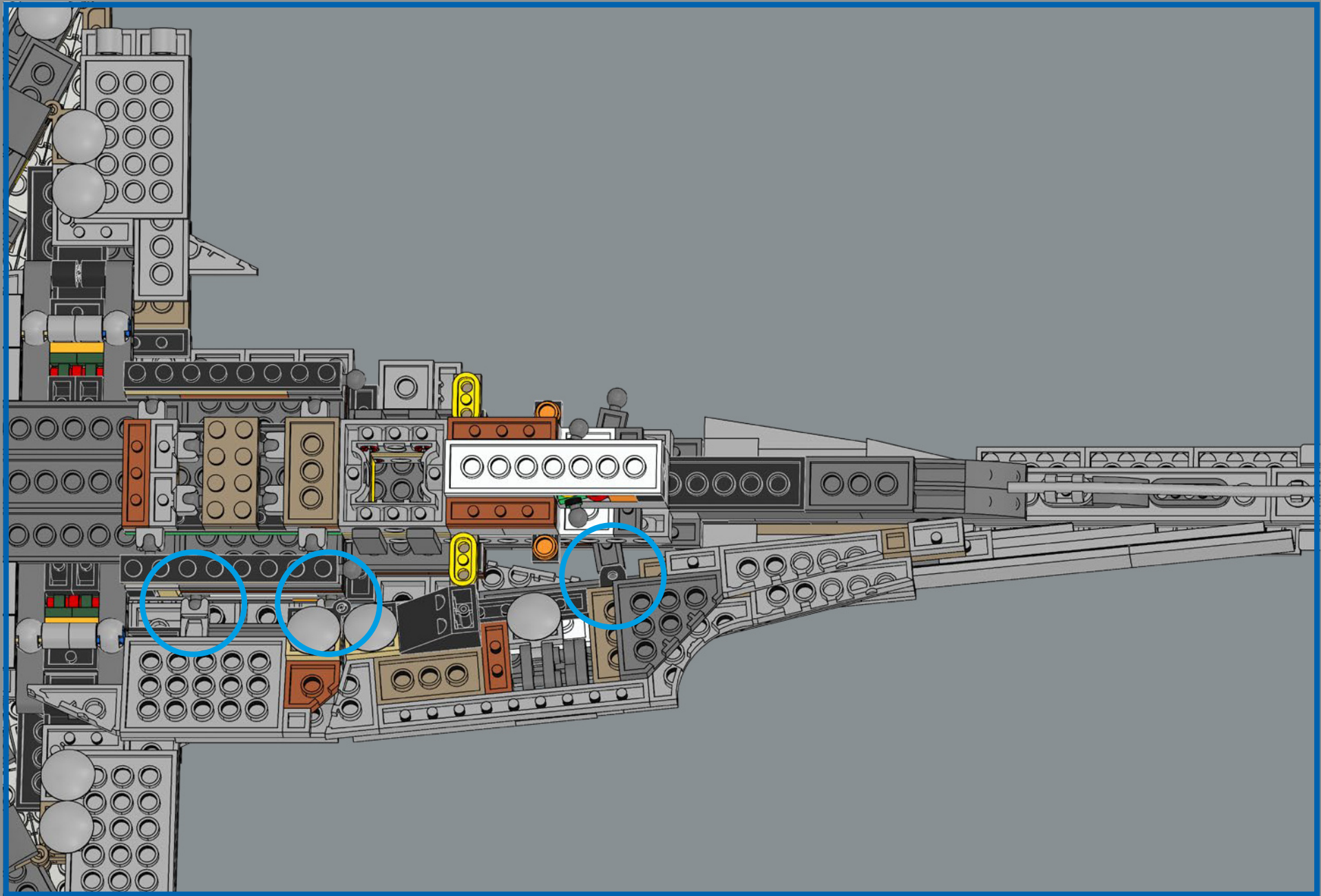


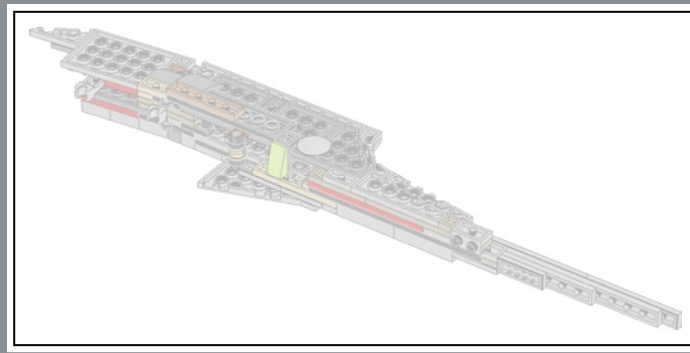


210

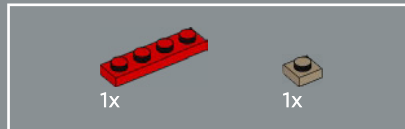
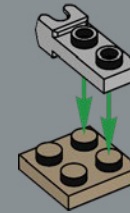




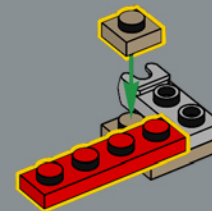


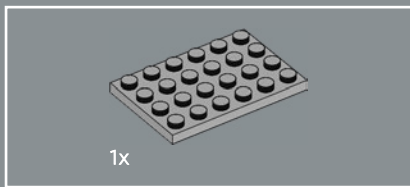


212

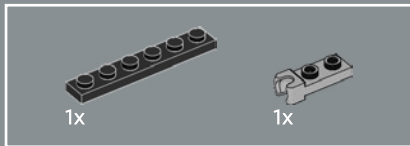
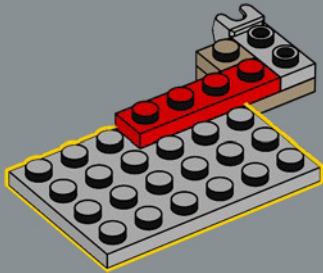


213

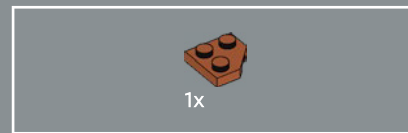
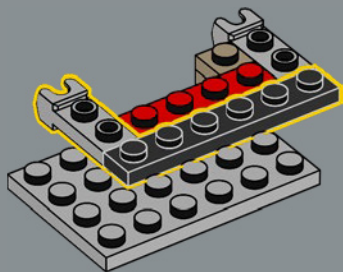




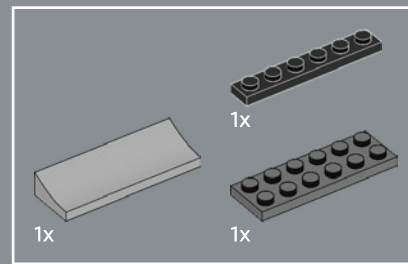
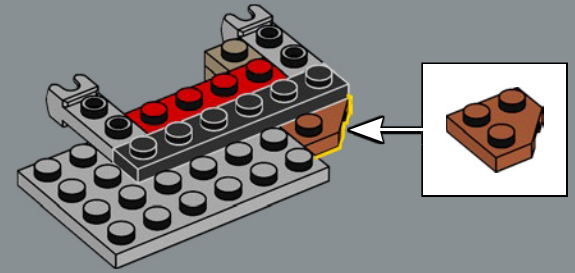
214



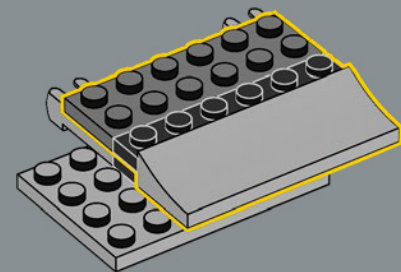
215



216



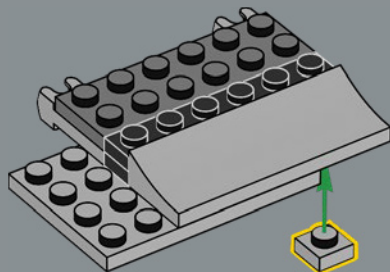
217



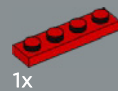


1x

218



1x

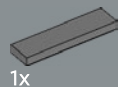
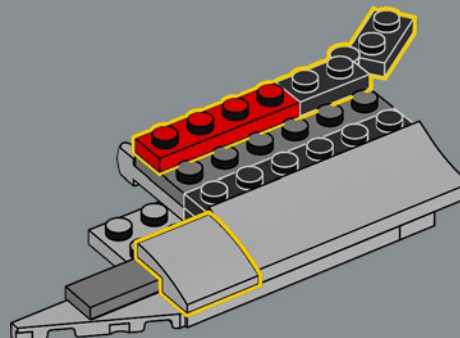


1x

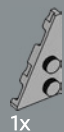


1x

220

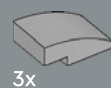
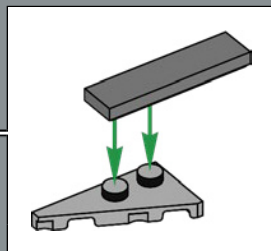
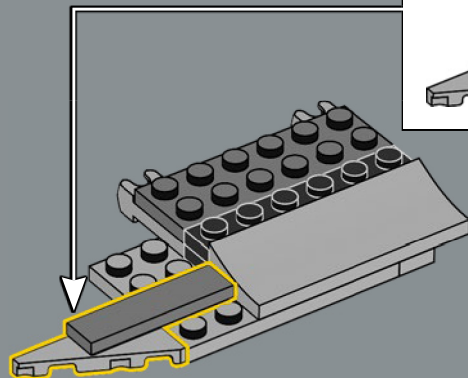


1x



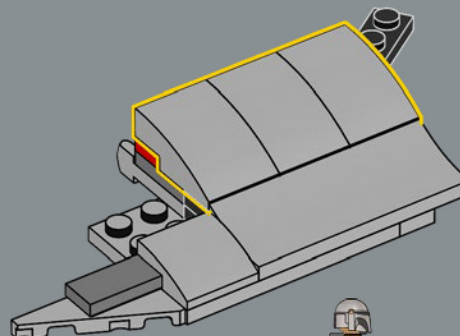
1x

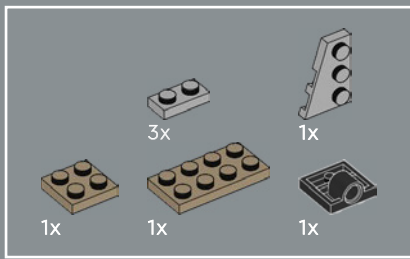
219



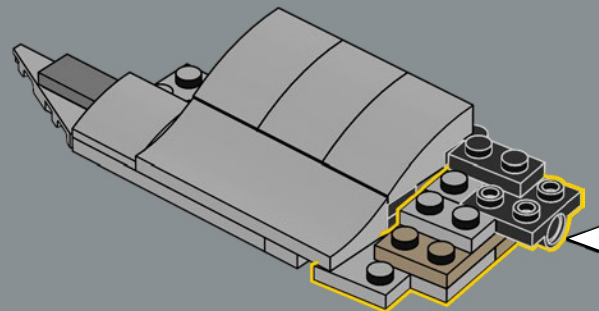
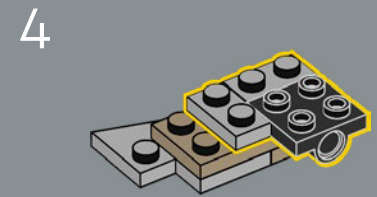
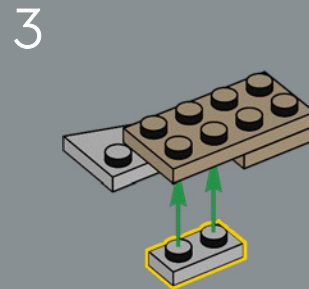
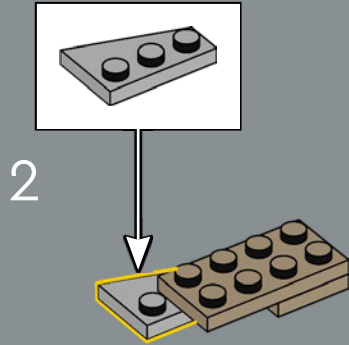
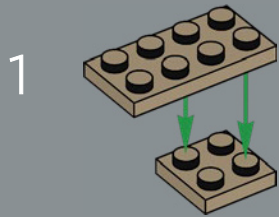
3x

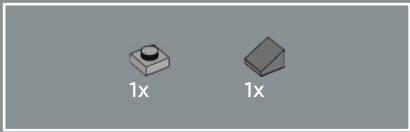
221



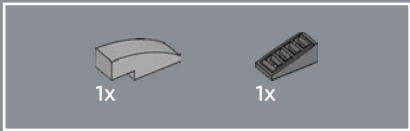
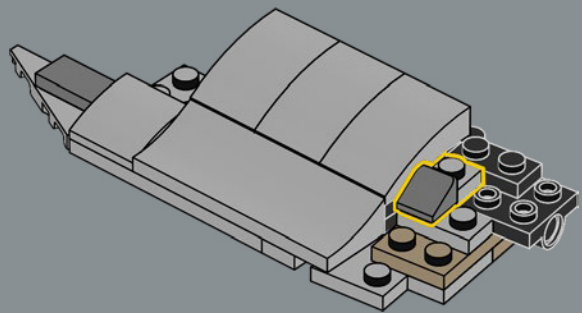


222

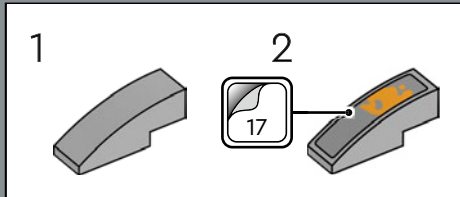
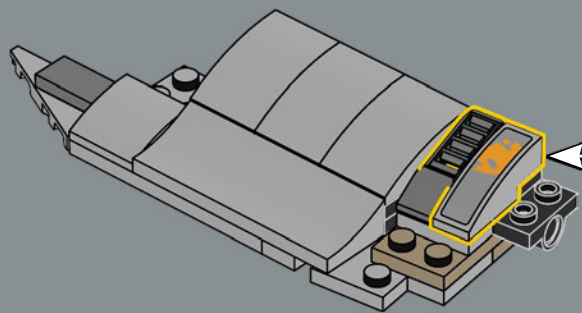




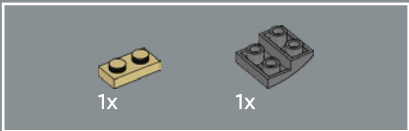
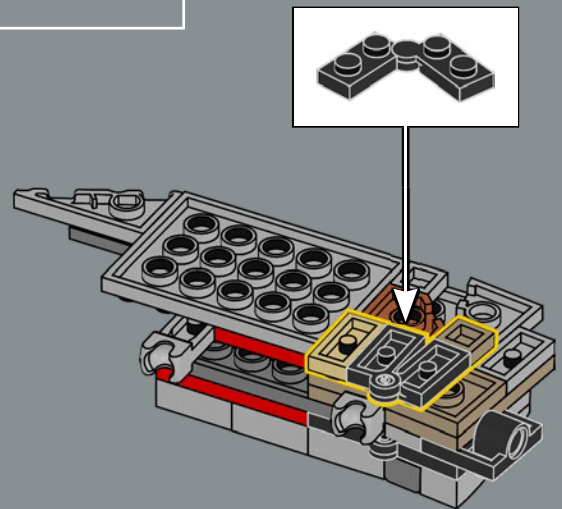
223



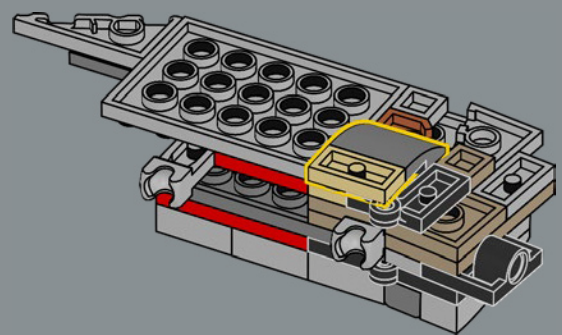
224

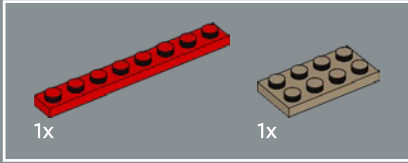
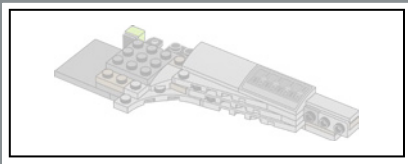


225

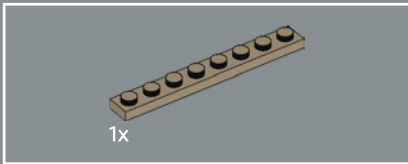
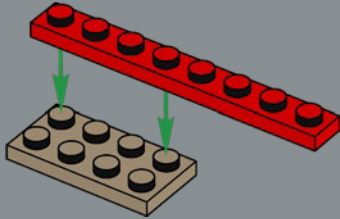


226

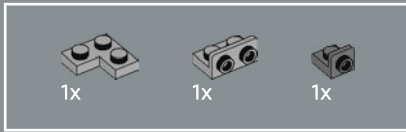
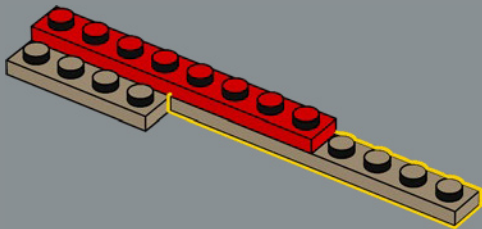




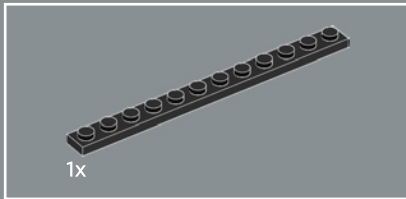
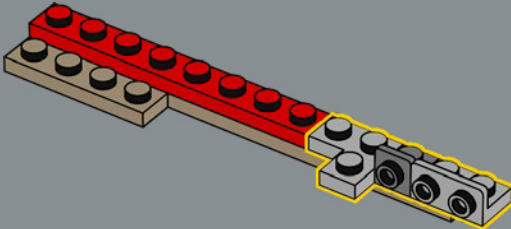
228



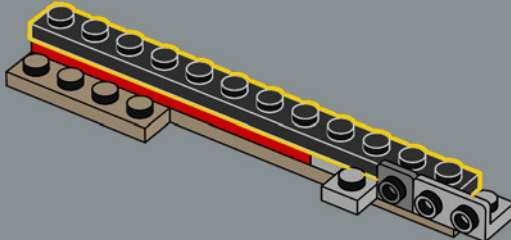
229



230

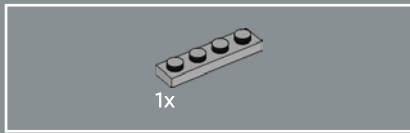
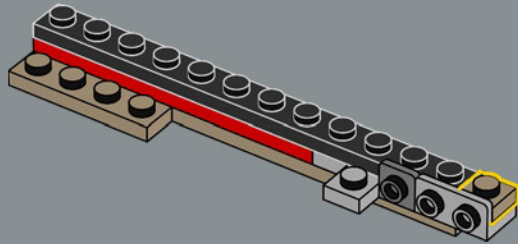


231

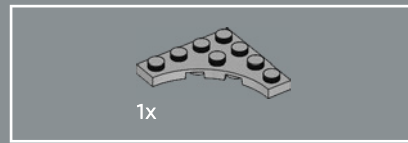
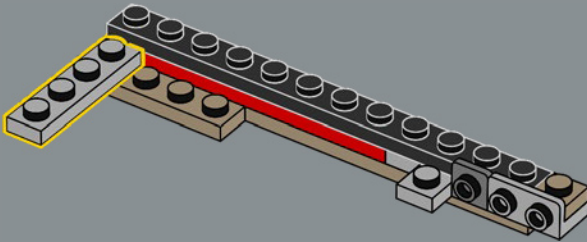




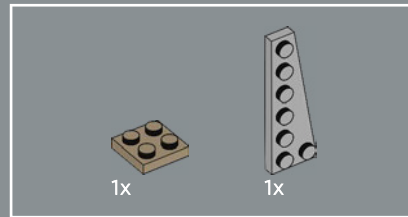
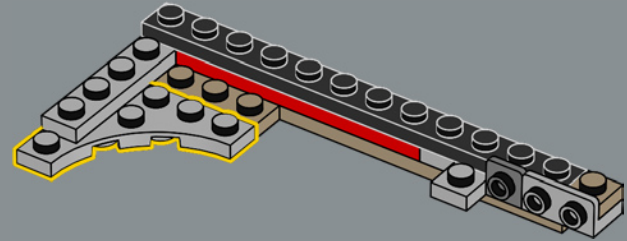
232



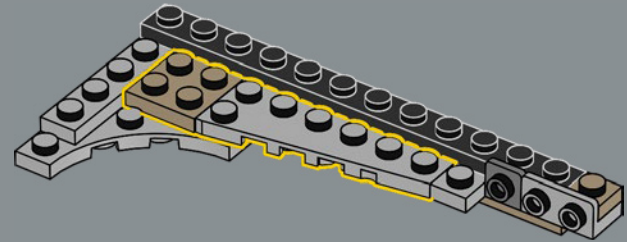
233

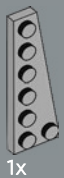


234



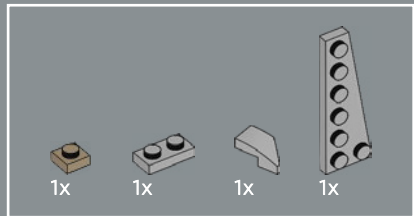
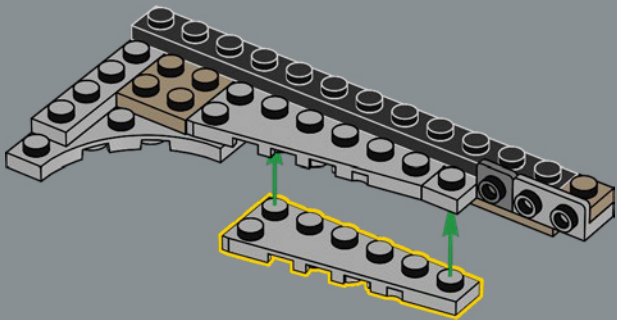
235





1x

236



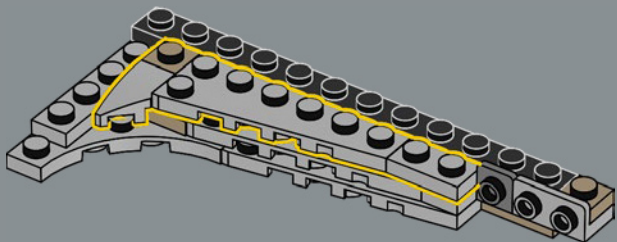
1x

1x

1x

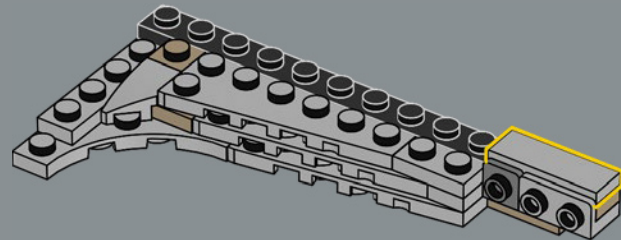
1x

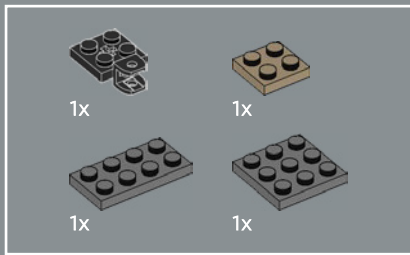
237



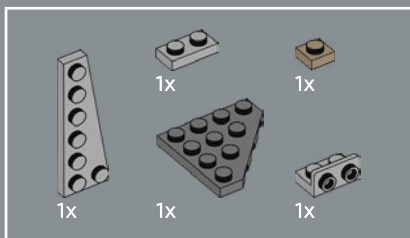
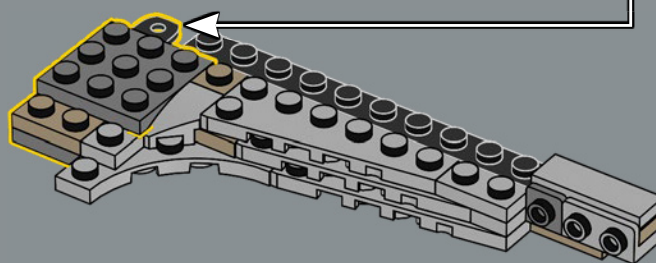
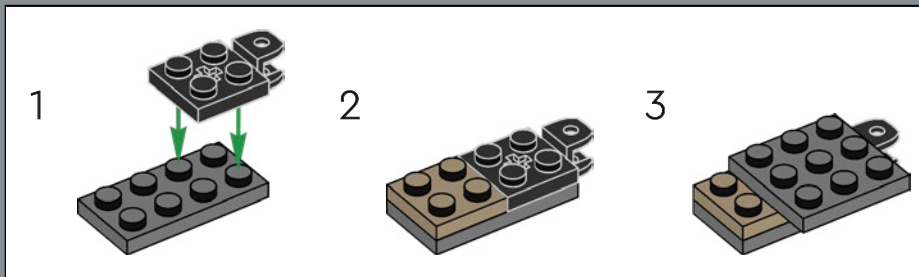
1x

238

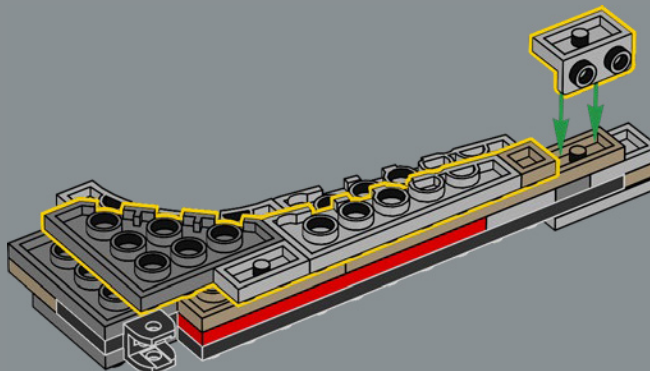


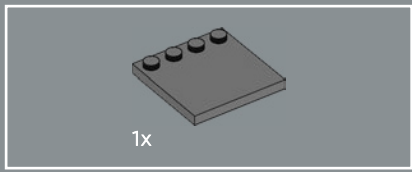


239

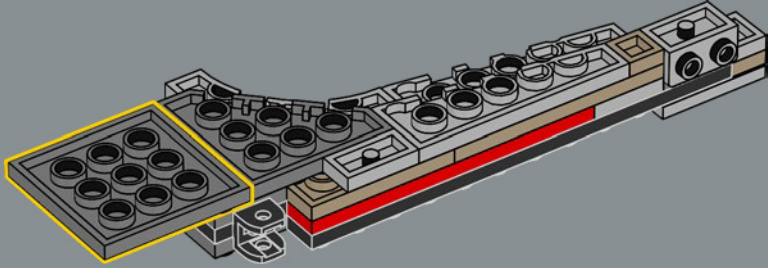


240

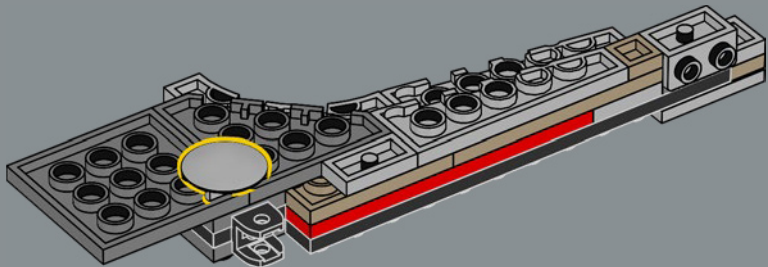




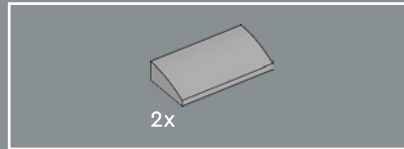
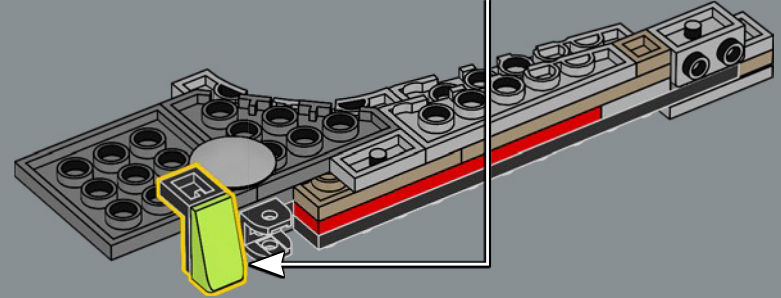
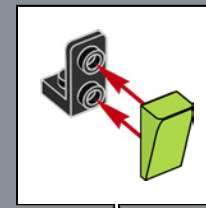
241



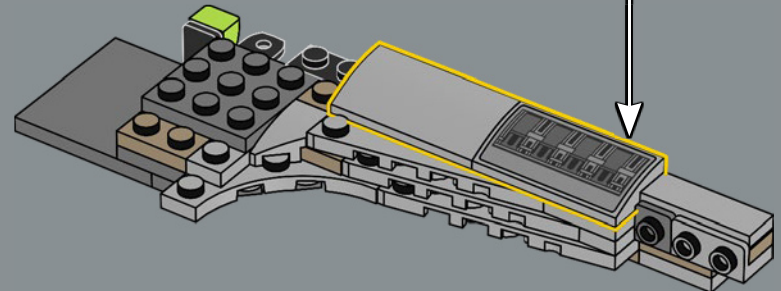
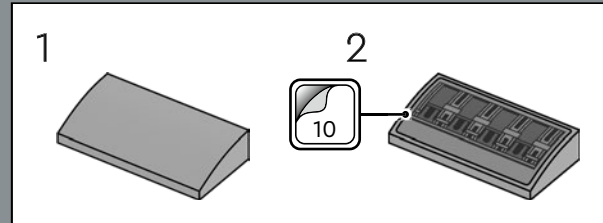
242



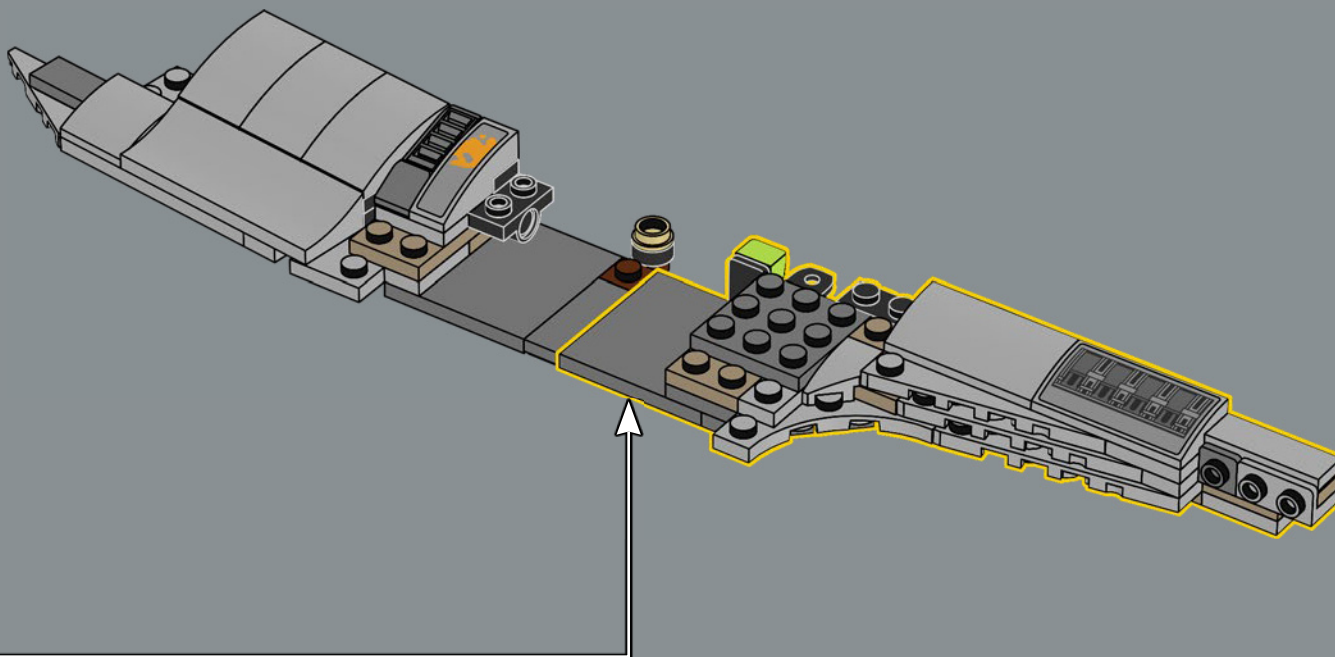
243

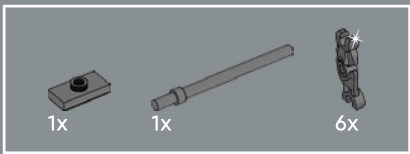


244

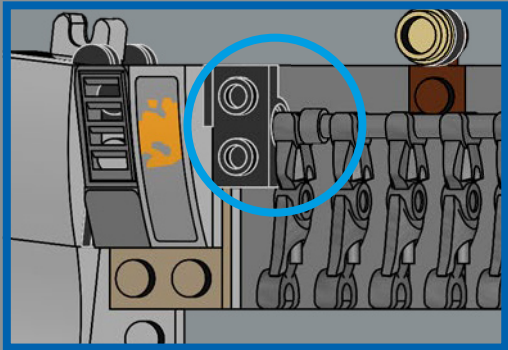
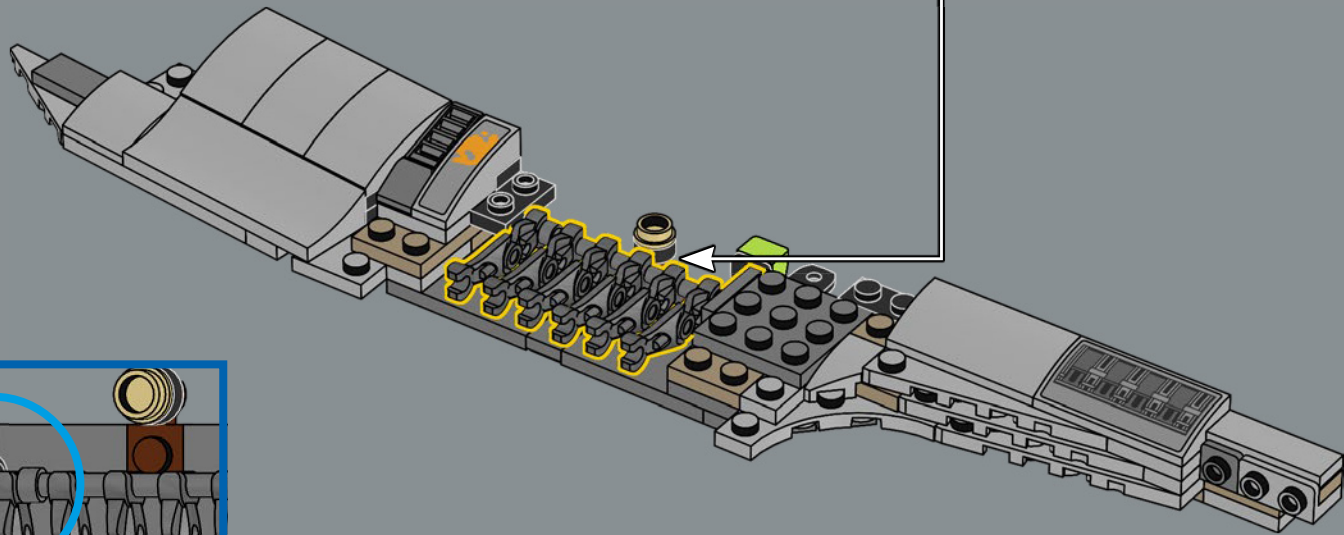
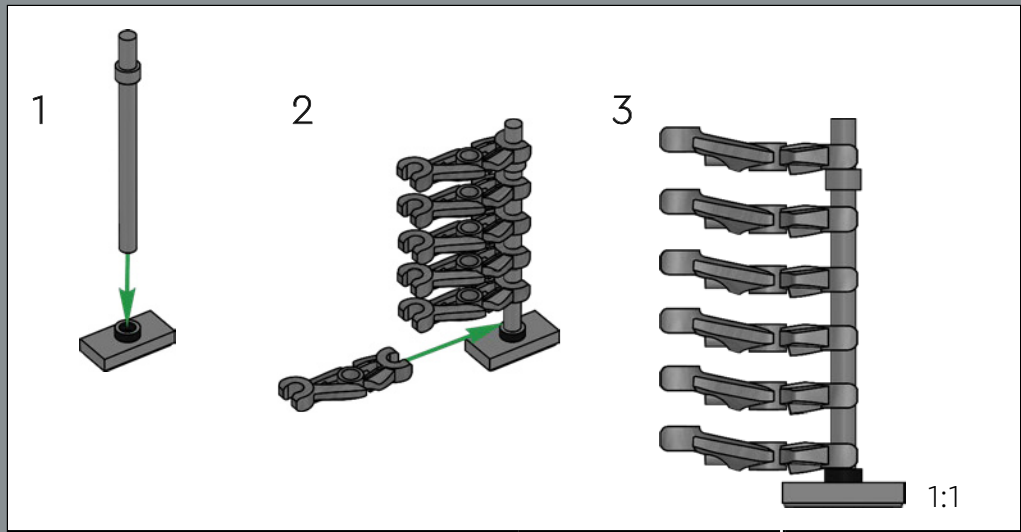


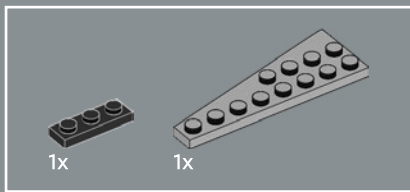
245



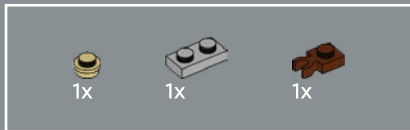
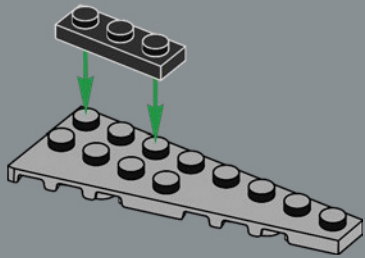


246

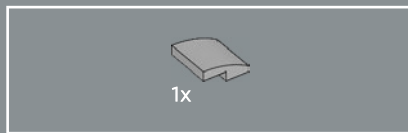
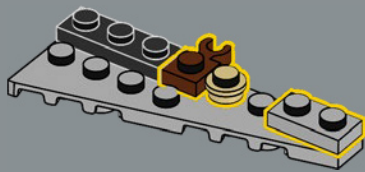




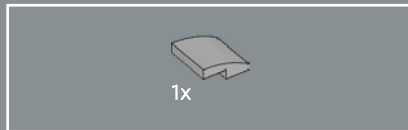
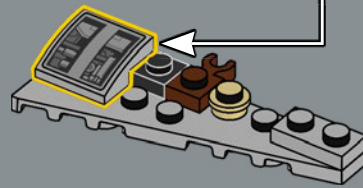
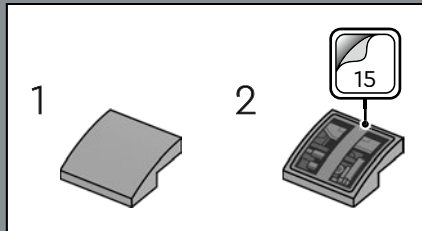
247



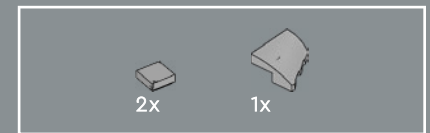
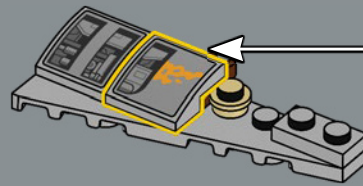
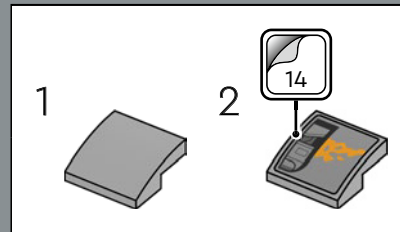
248



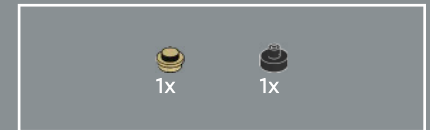
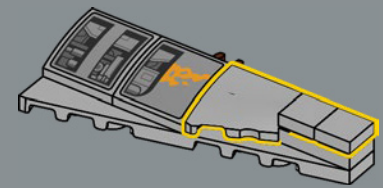
249



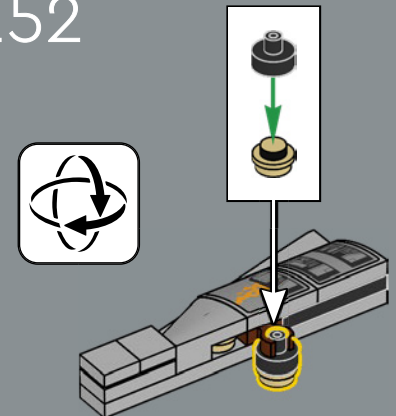
250



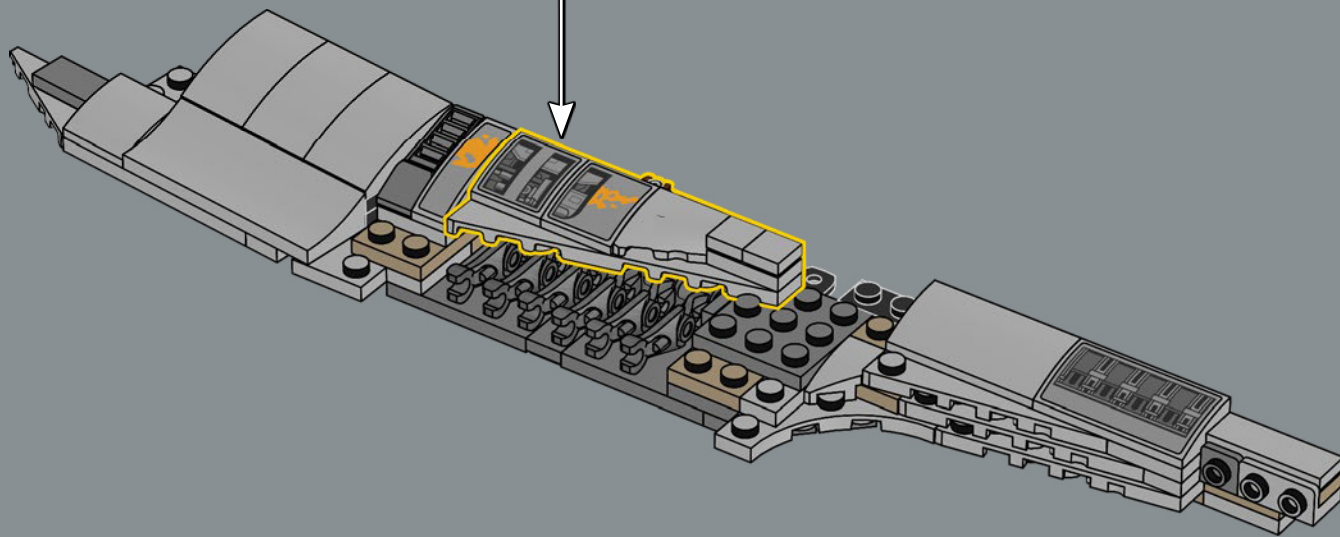
251

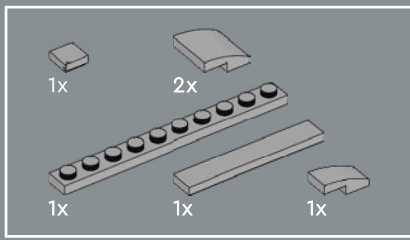


252



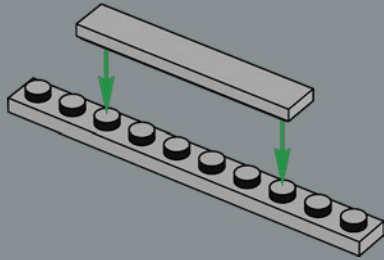
253



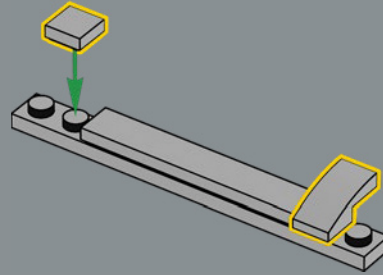


254

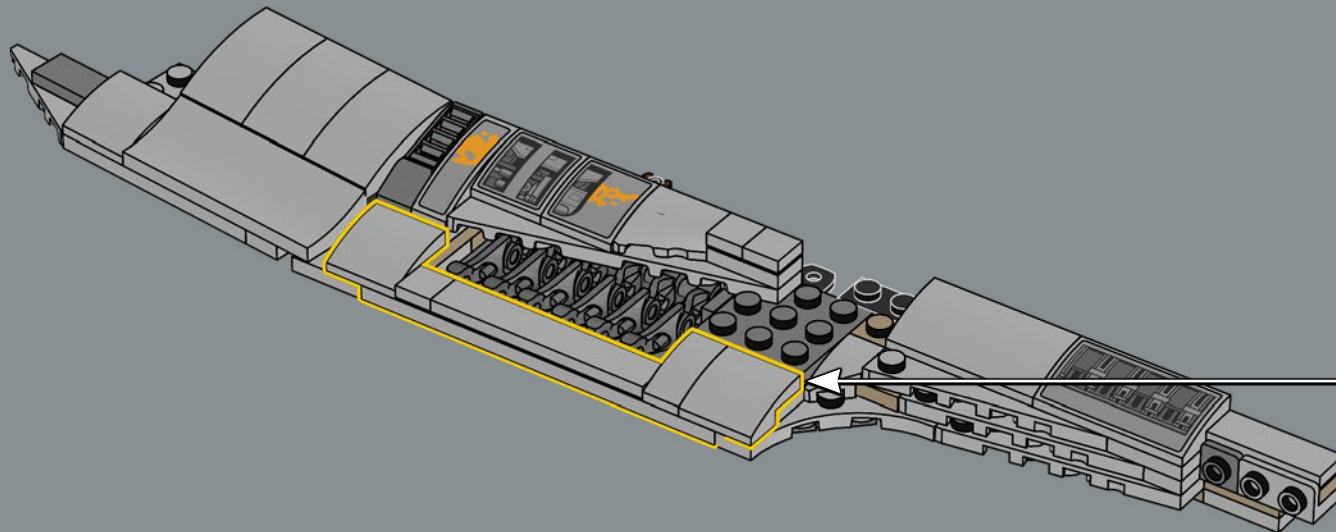
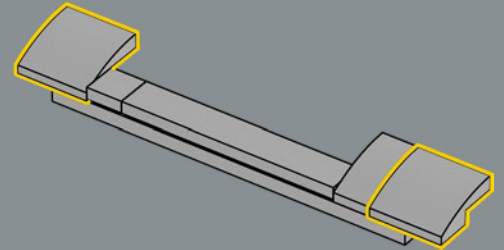
1

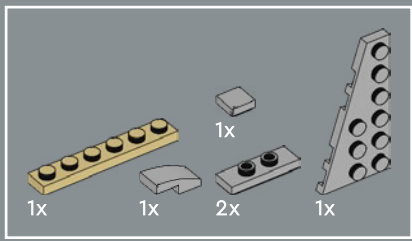


2

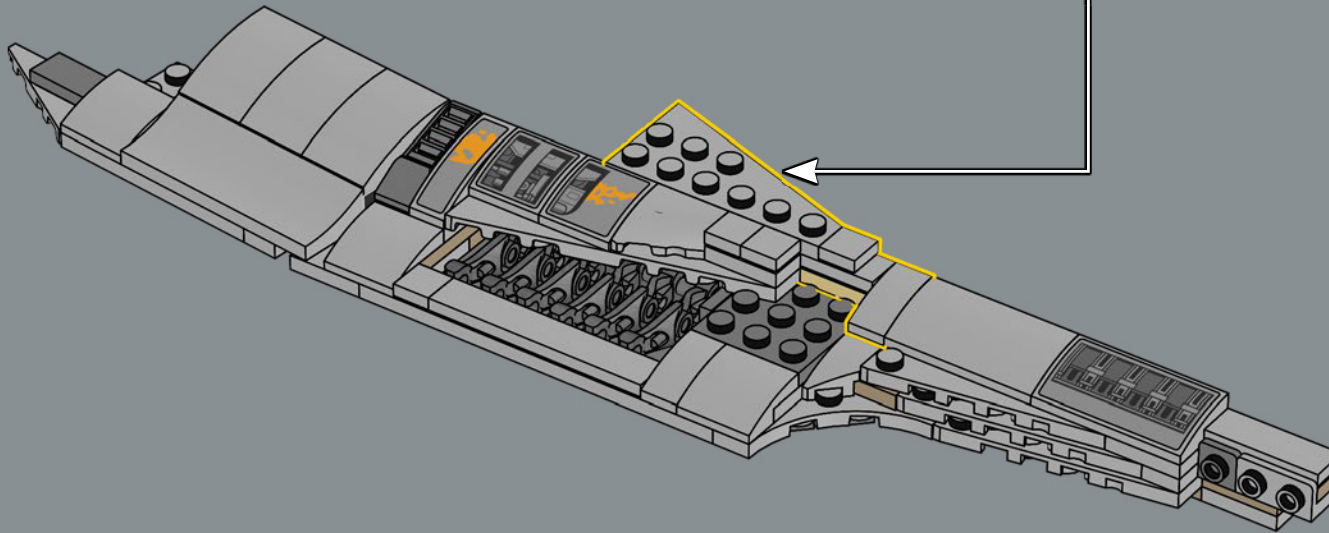
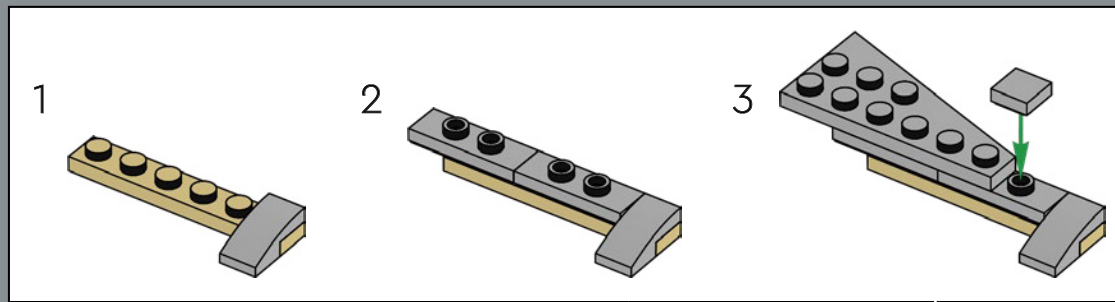


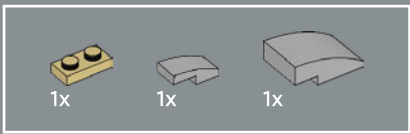
3



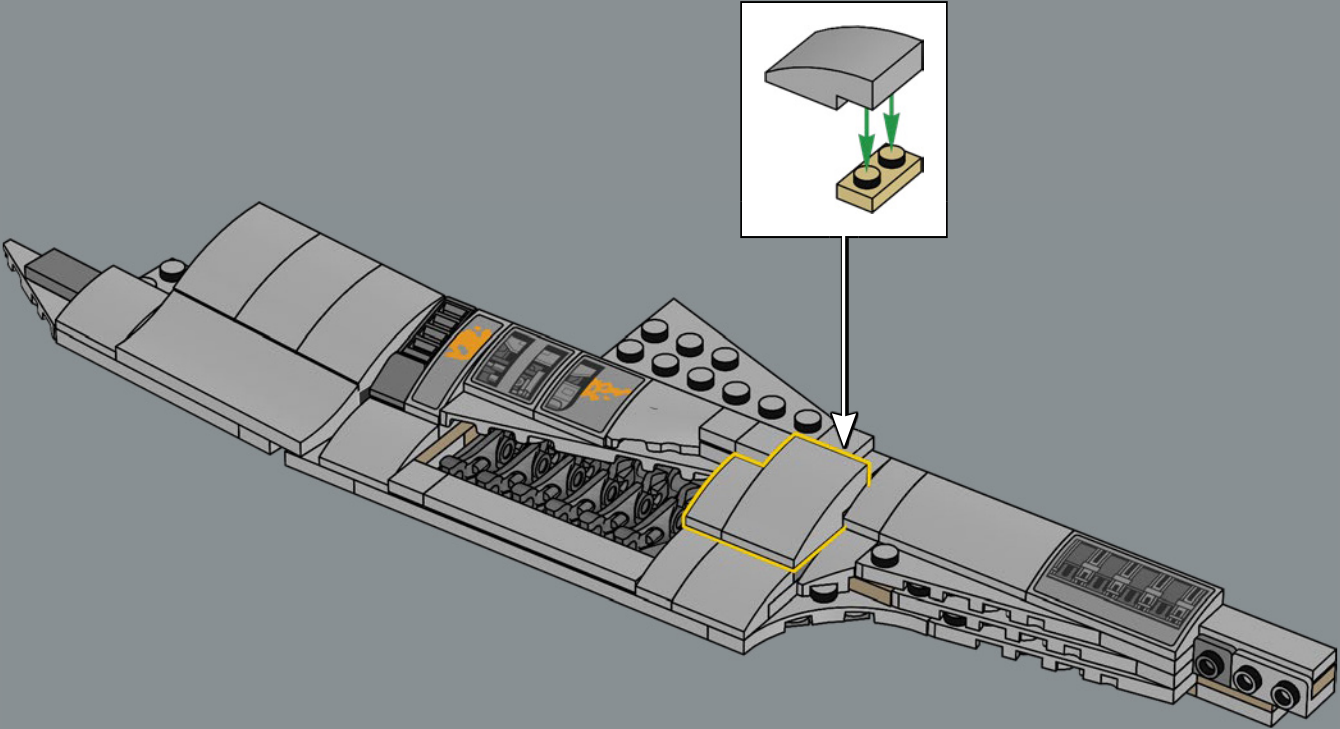


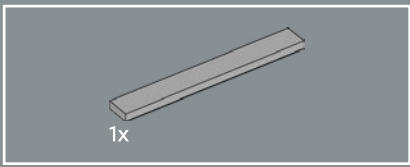
255



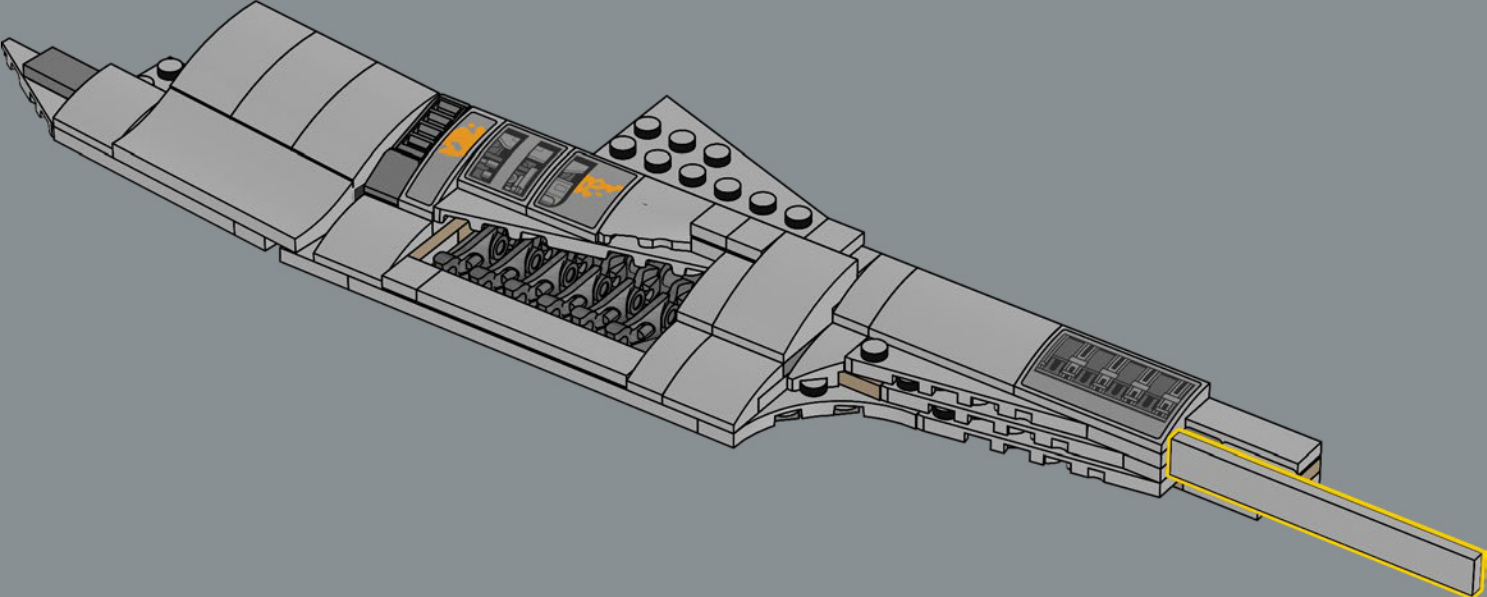


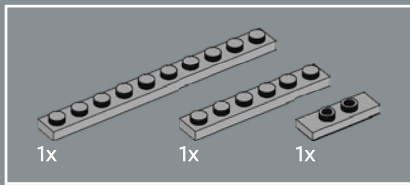
256



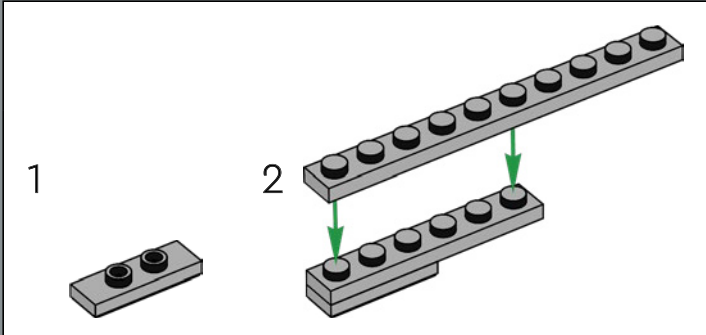
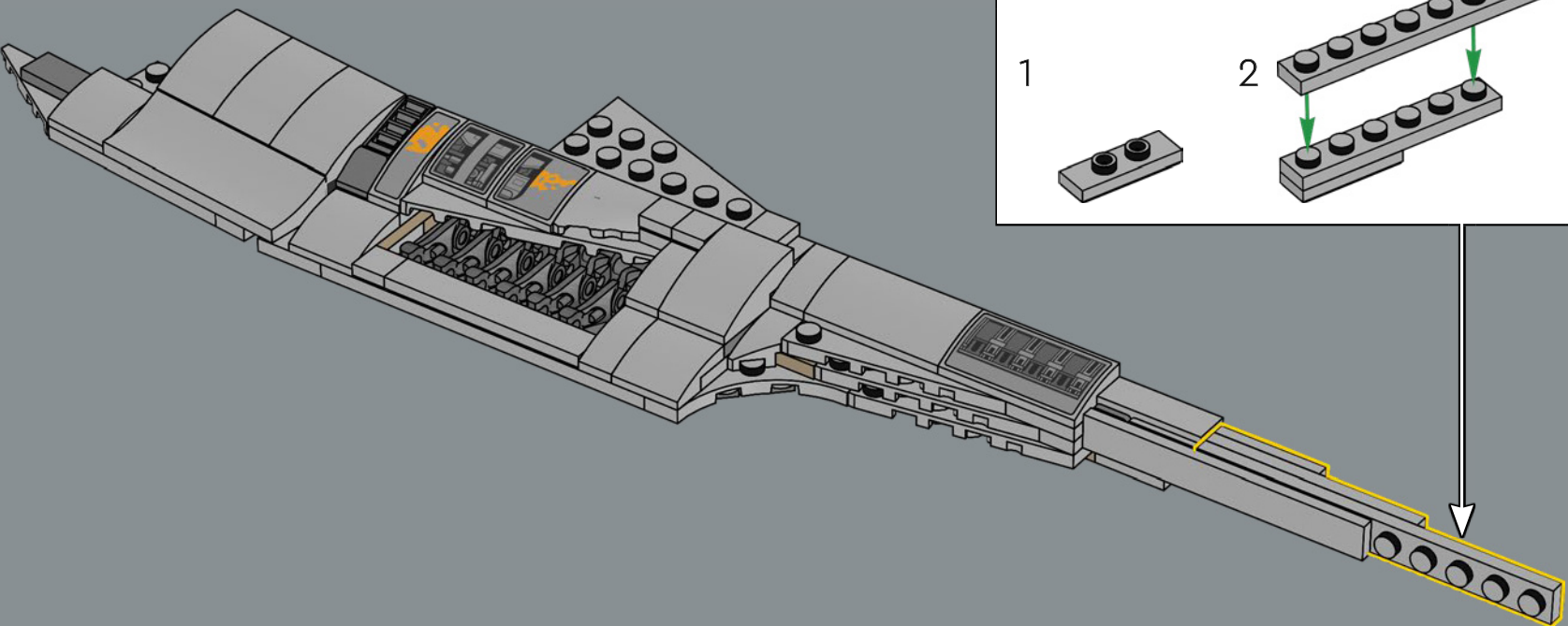


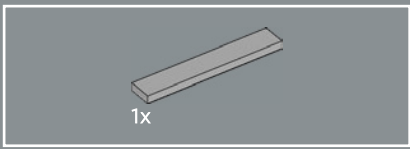
257



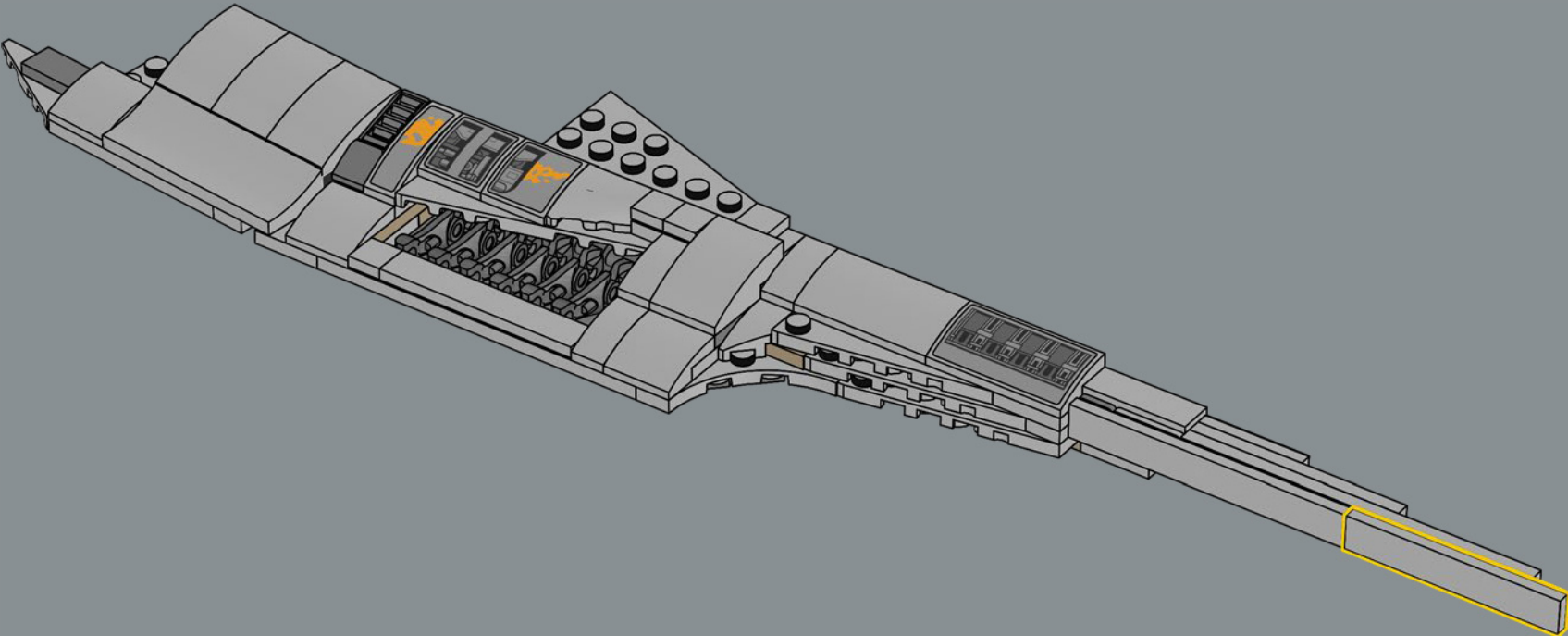


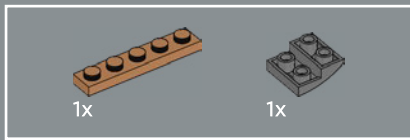
258



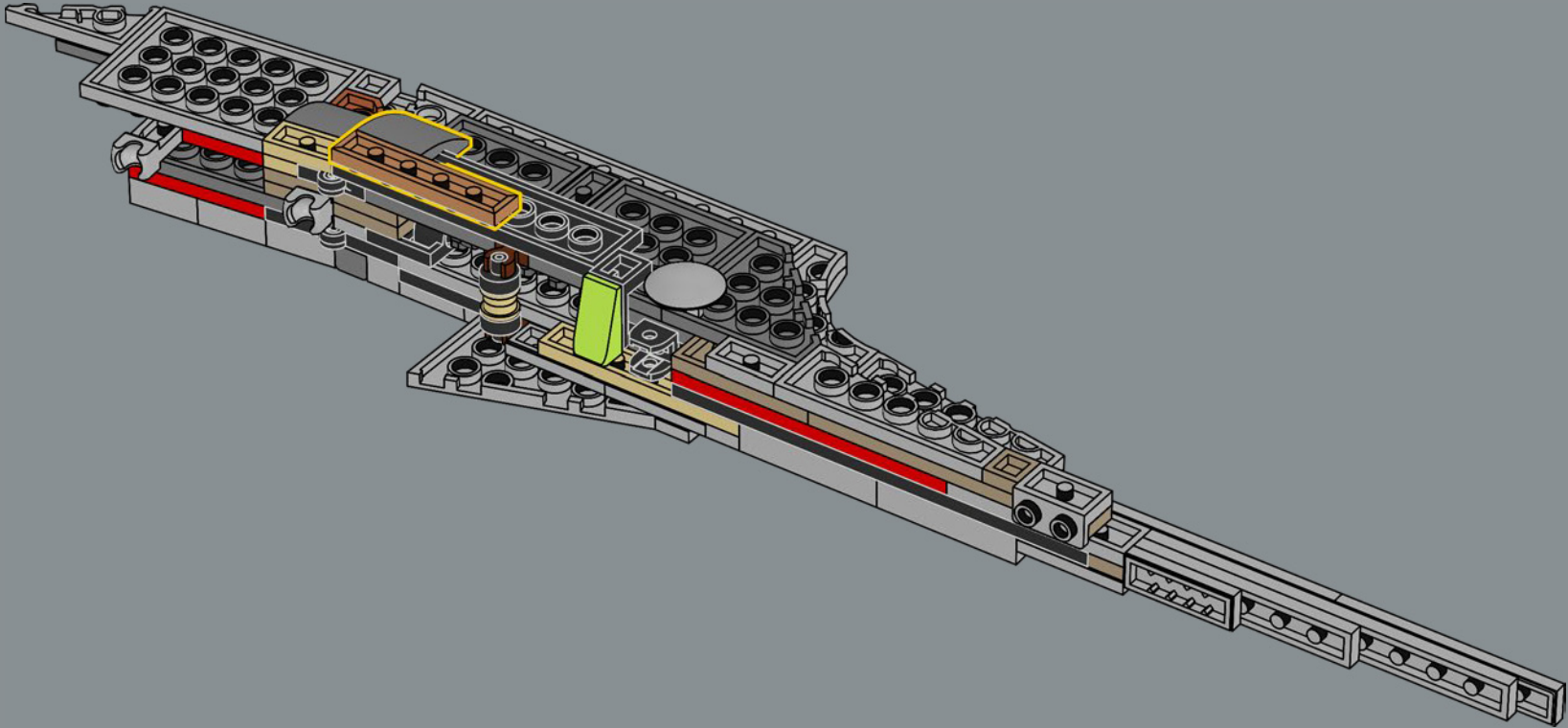


259

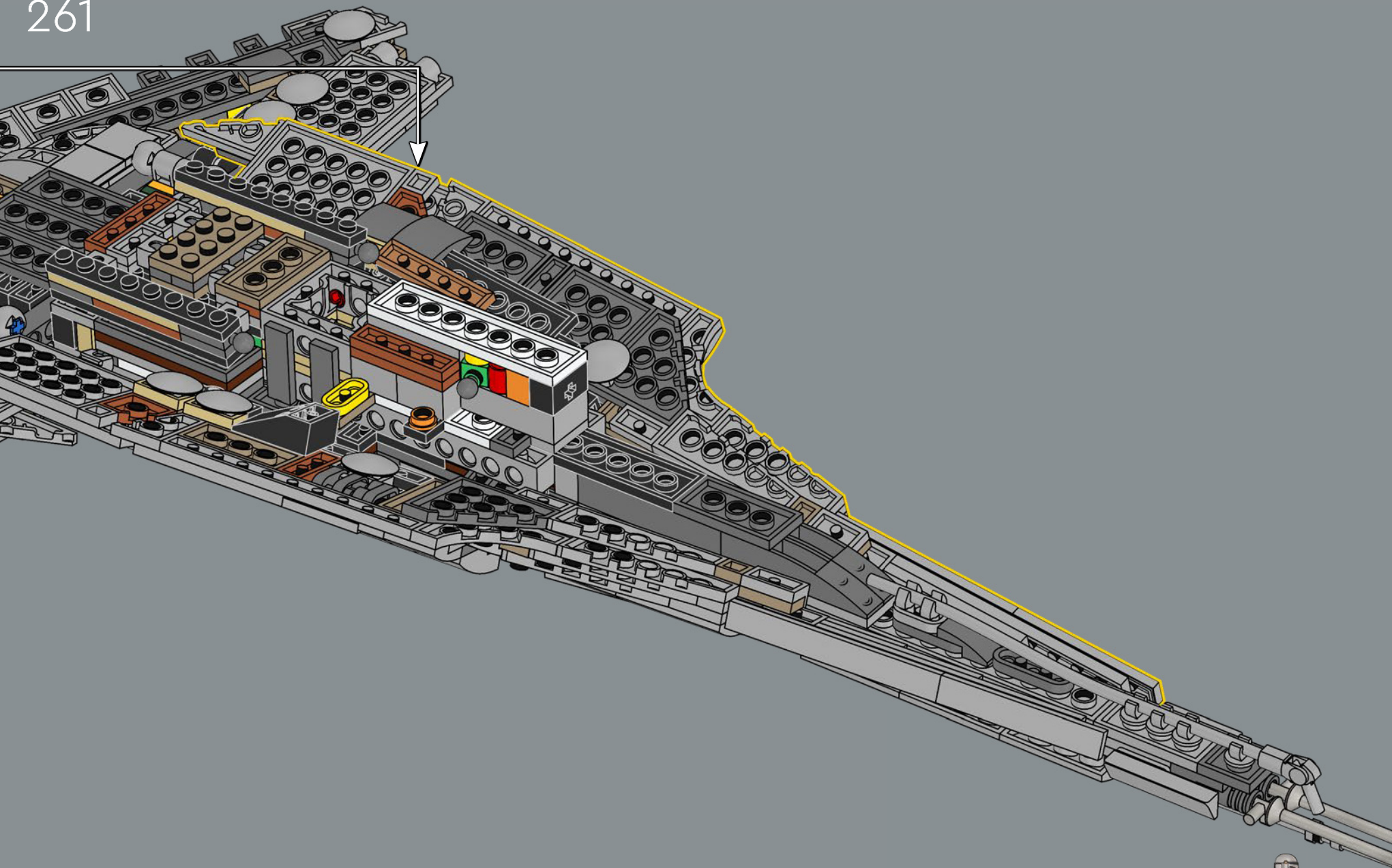


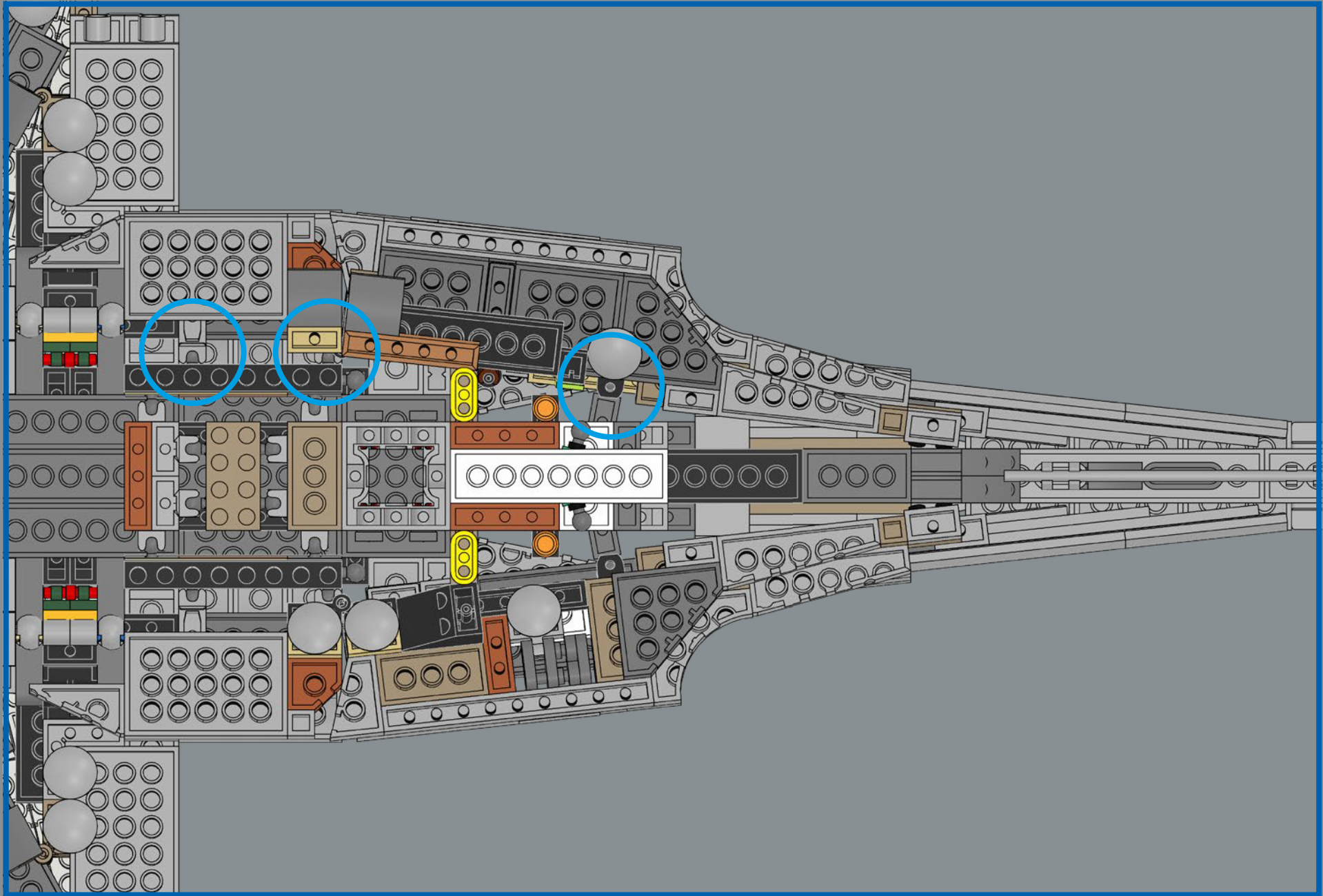


260



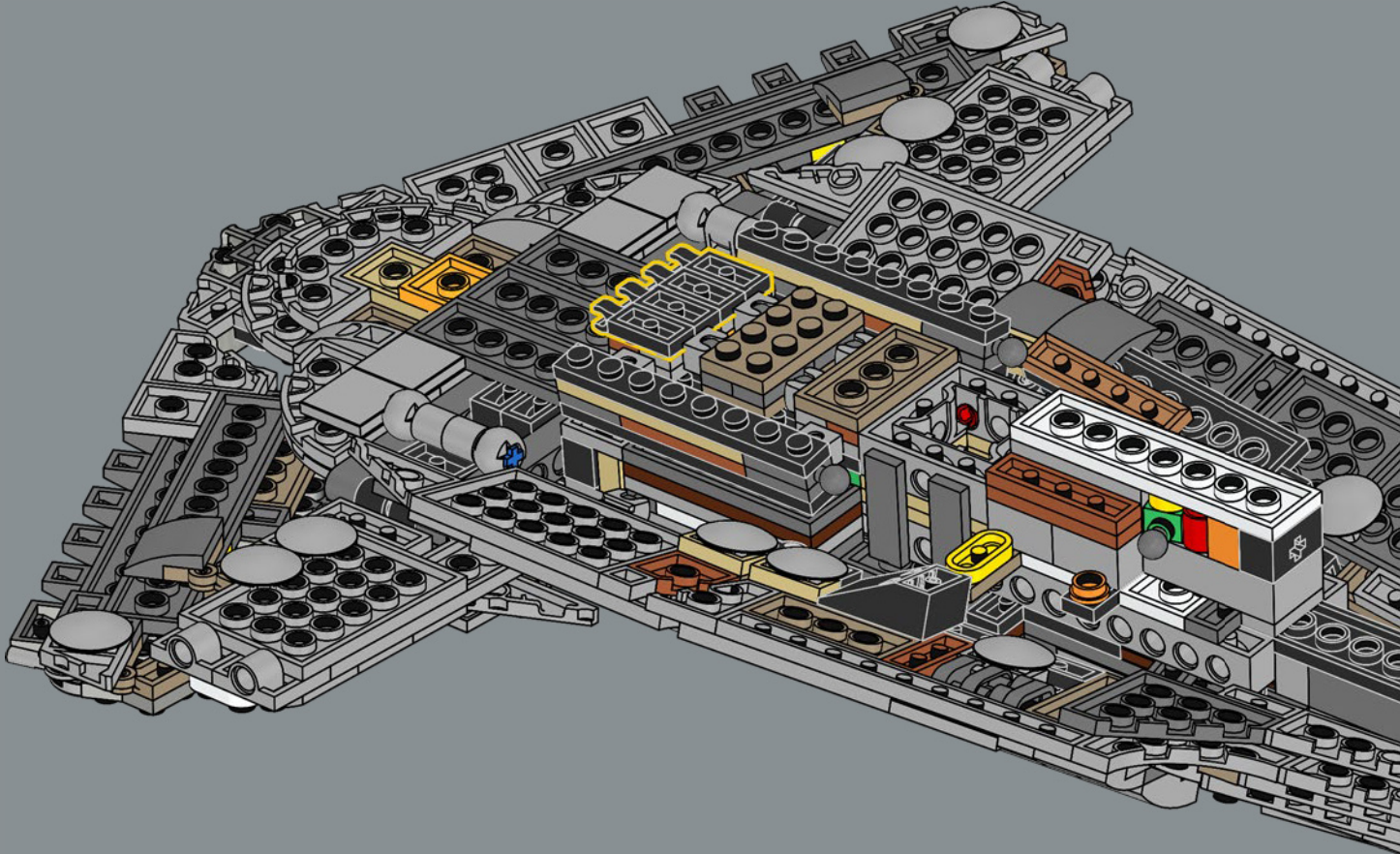
261



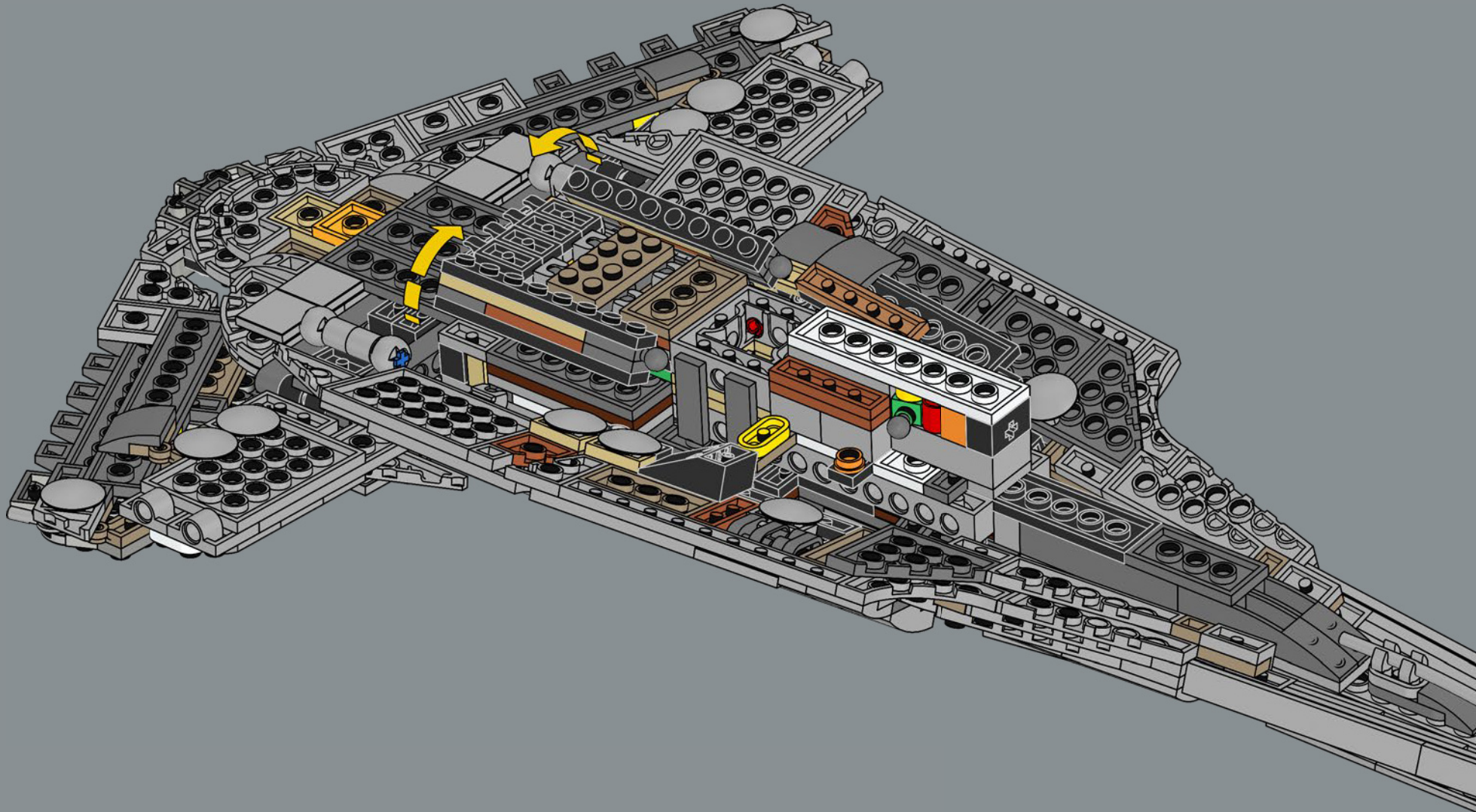


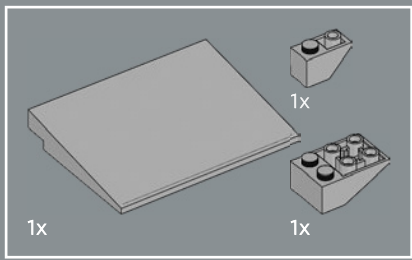


262



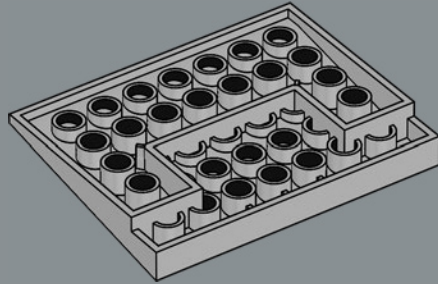
263



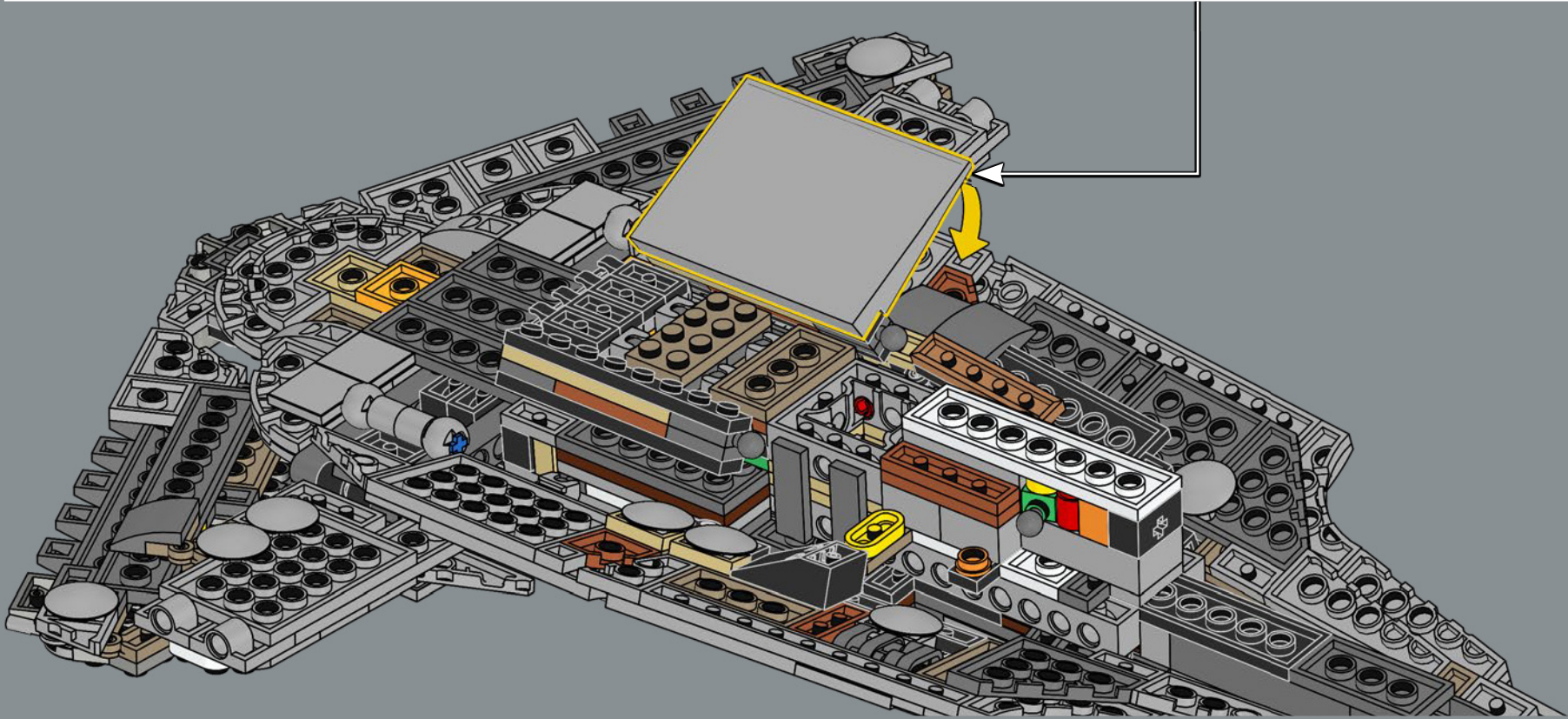
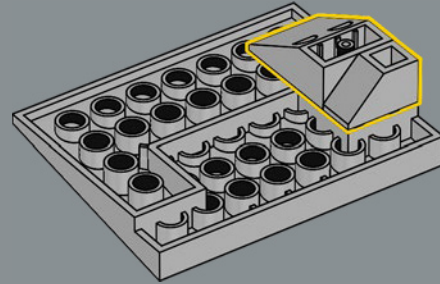


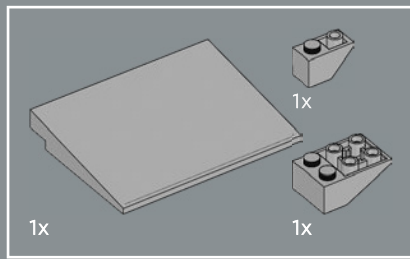
264

1



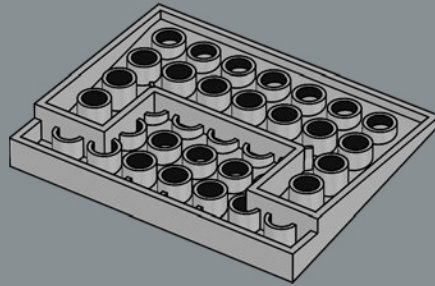
2



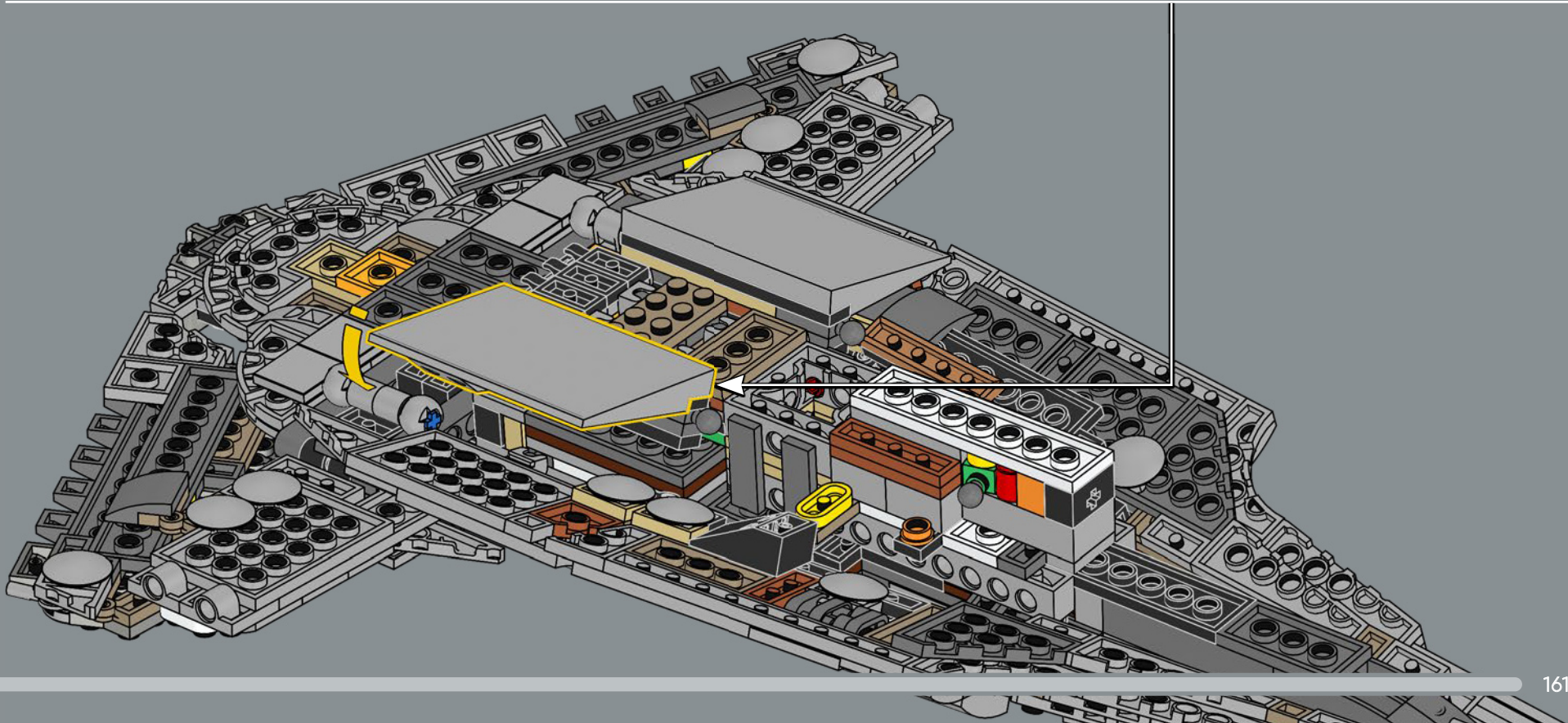
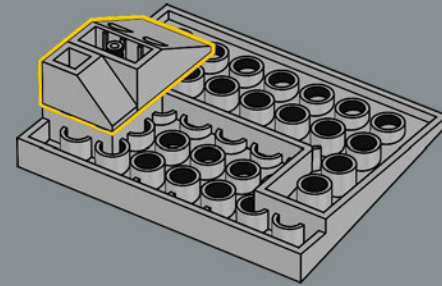


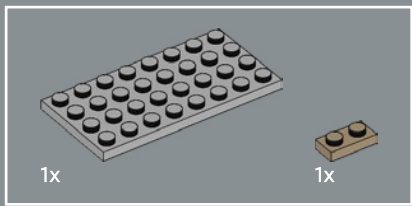
265

1

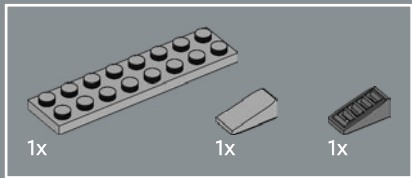
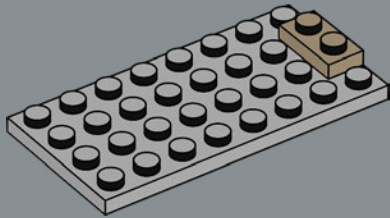


2

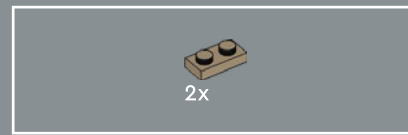
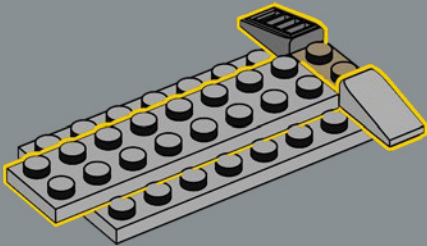




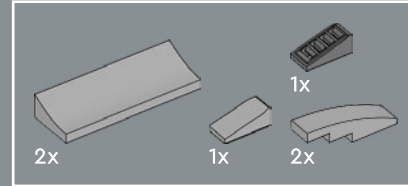
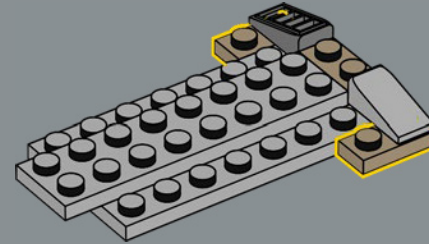
266



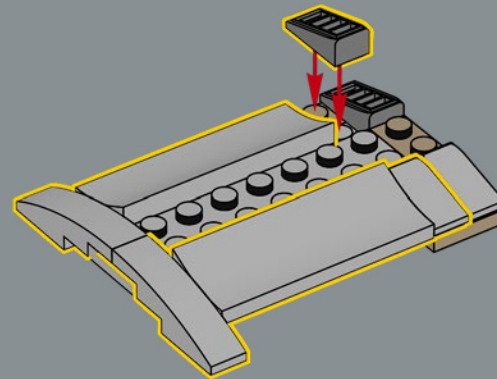
267



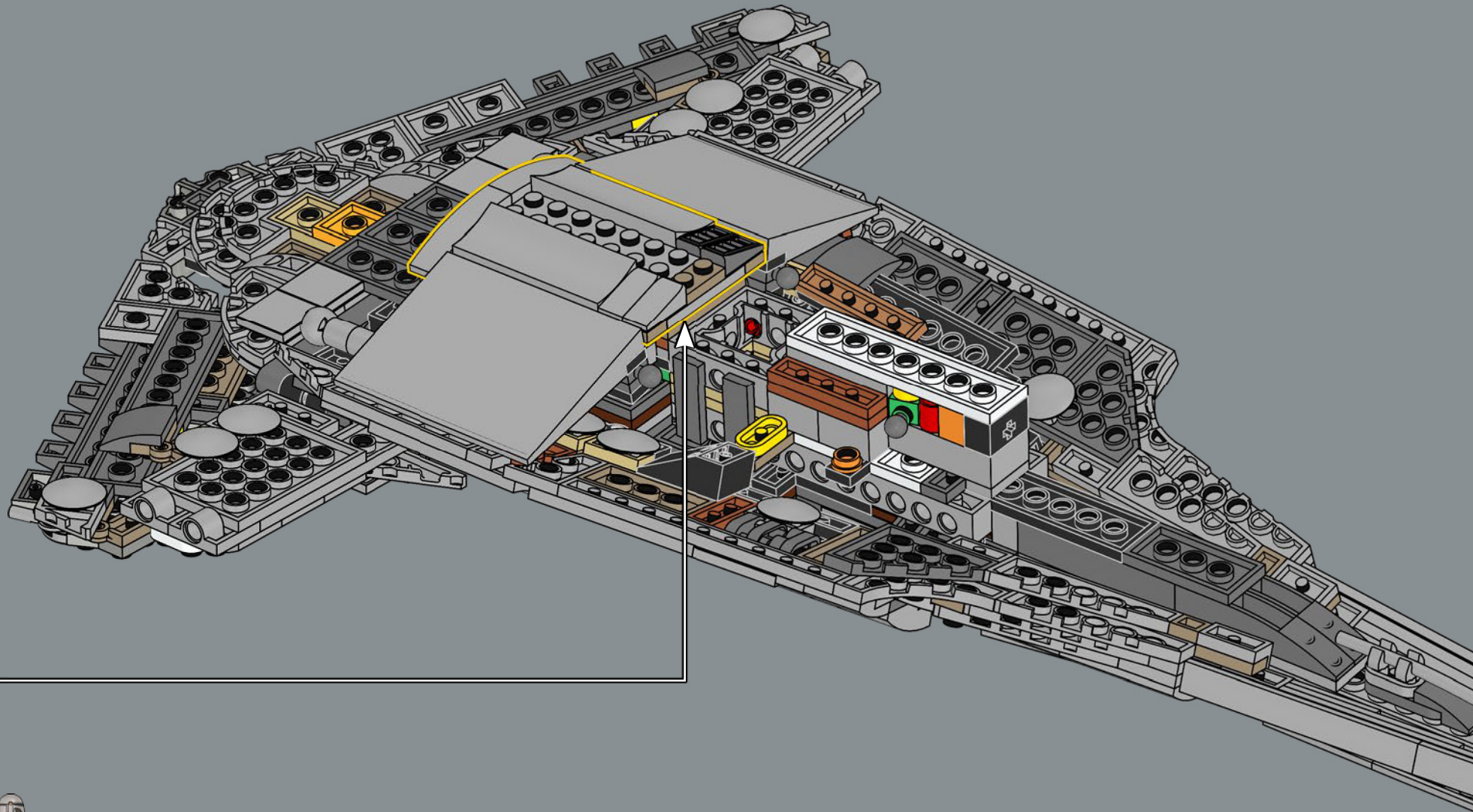
268

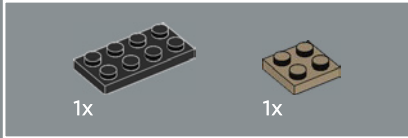
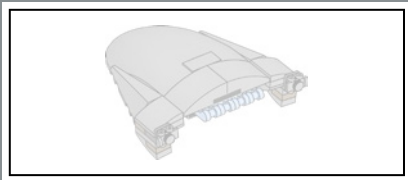


269

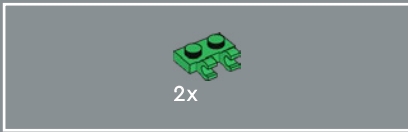
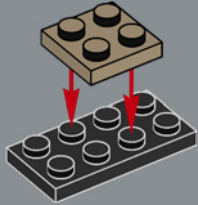


270

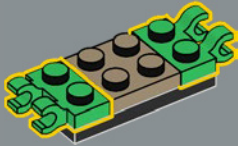




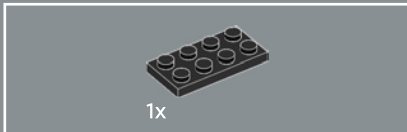
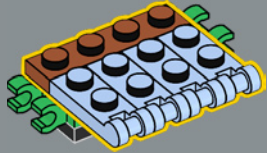
271



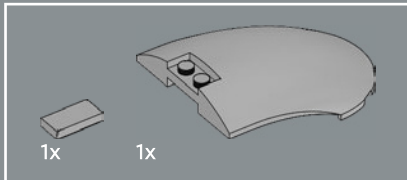
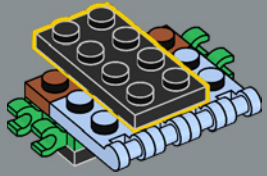
272



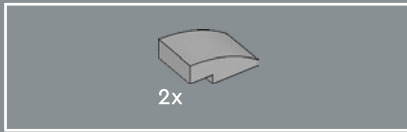
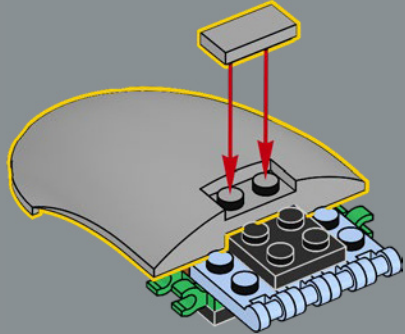
273



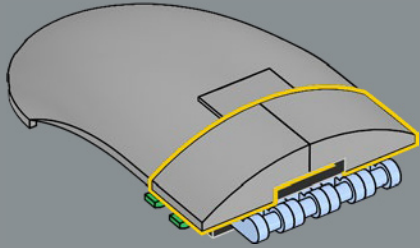
274



275

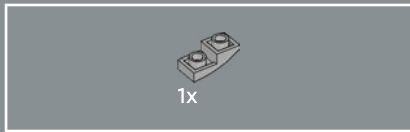
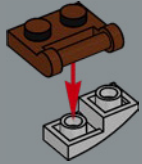


276

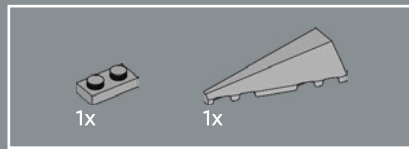
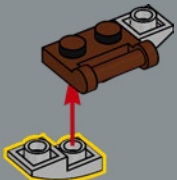




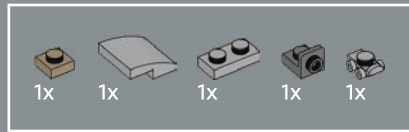
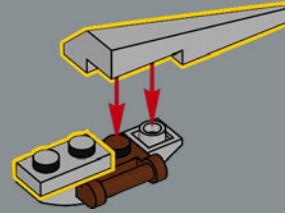
277



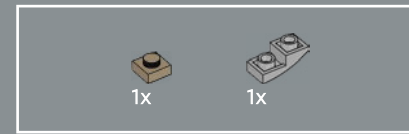
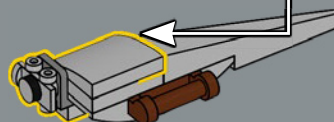
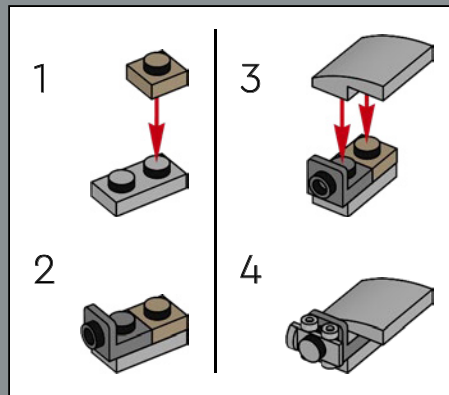
278



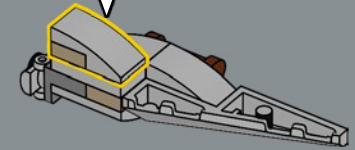
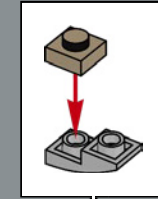
279



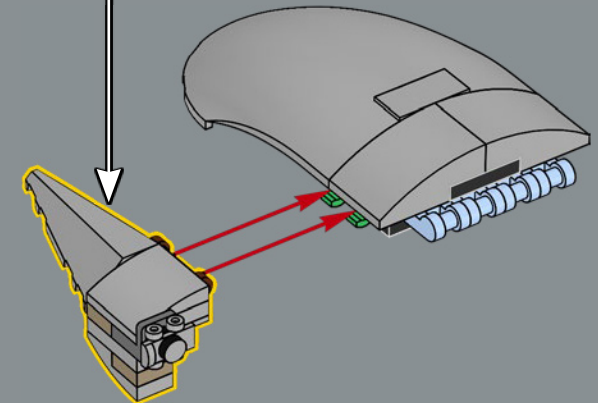
280



281

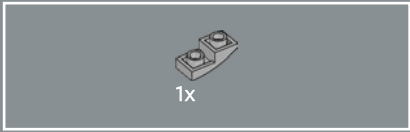
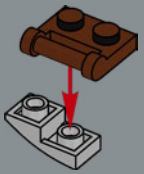


282

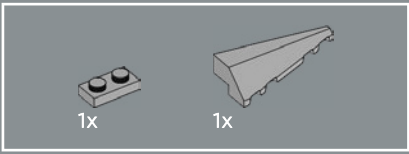
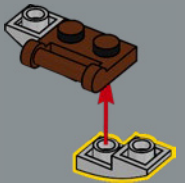




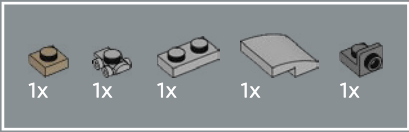
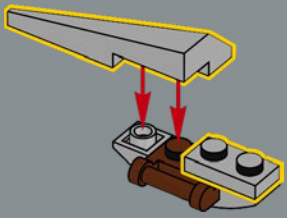
283



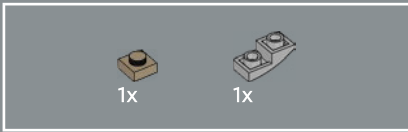
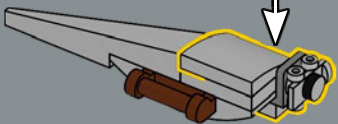
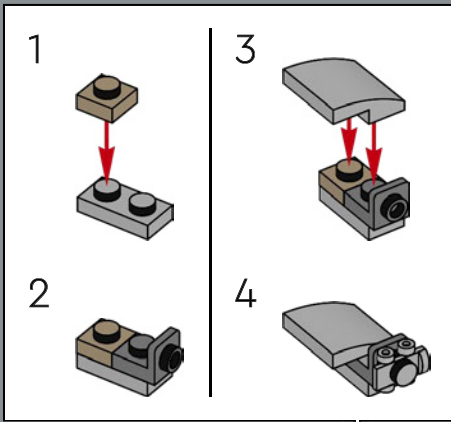
284



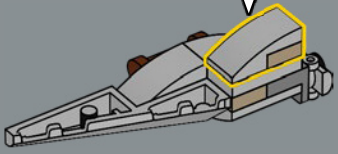
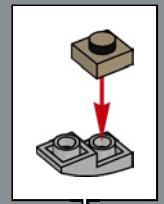
285



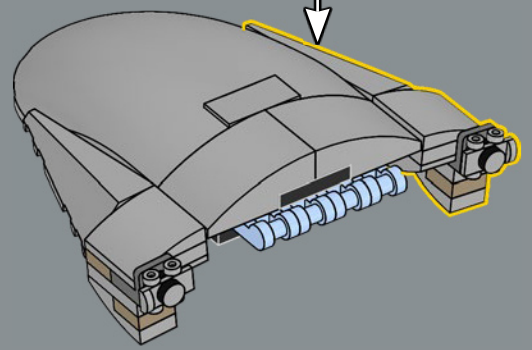
286



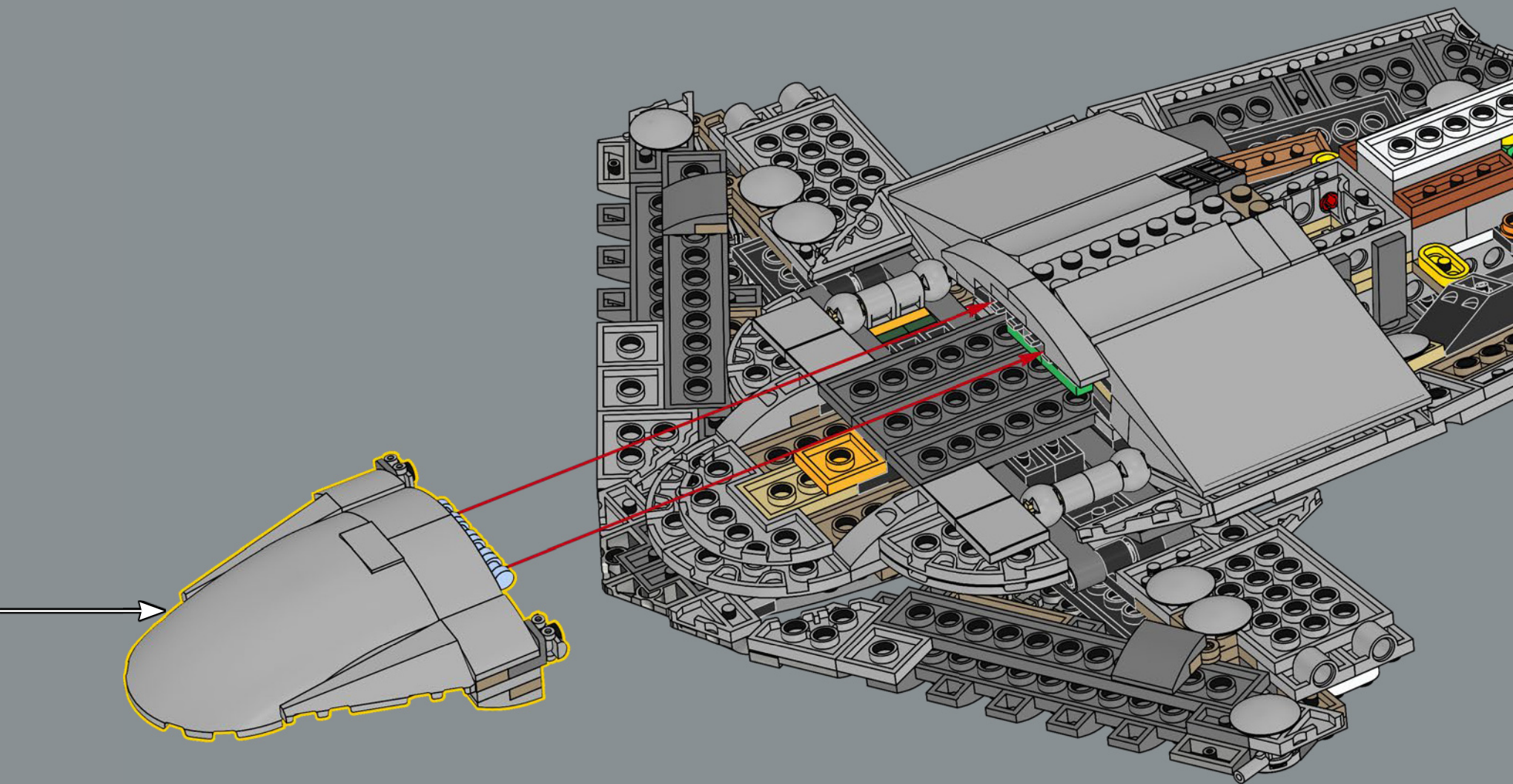
287

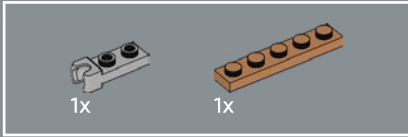
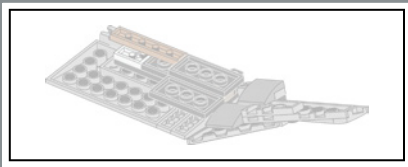


288

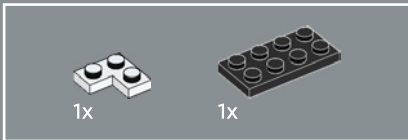
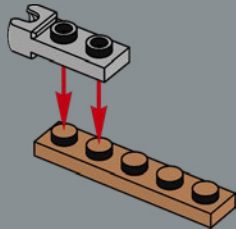


289

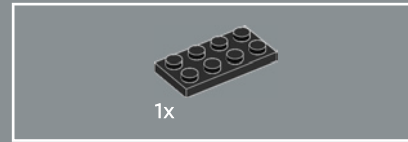
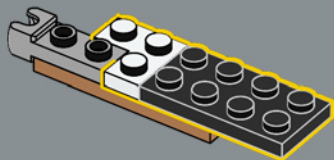




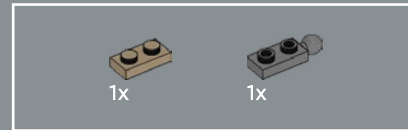
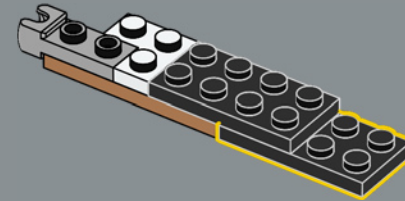
290



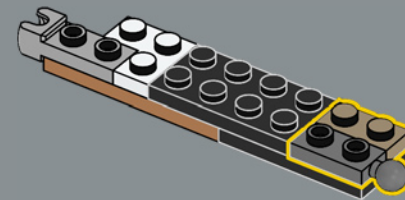
291

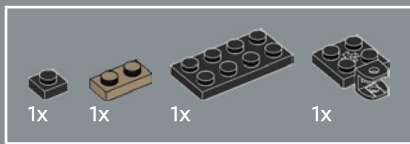


292

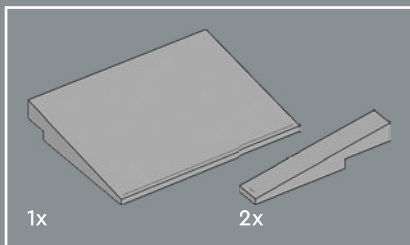
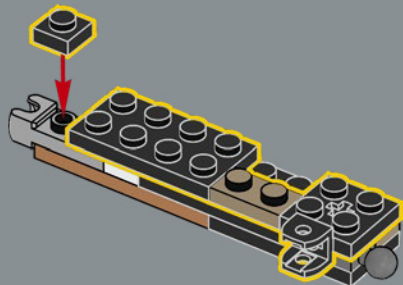


293

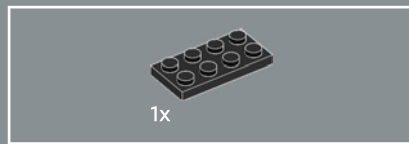
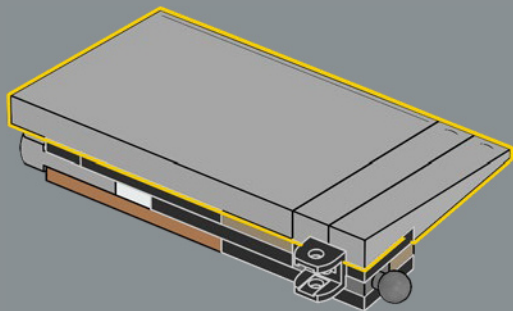




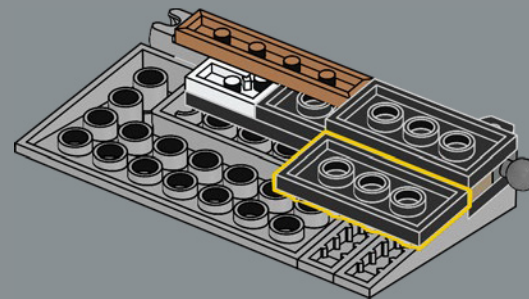
294

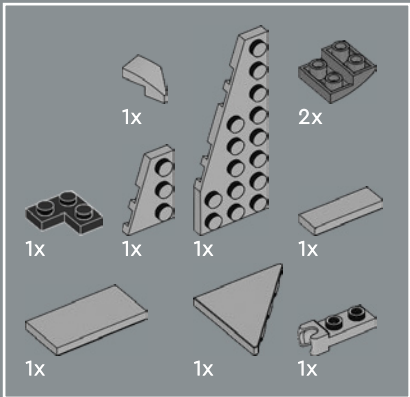


295

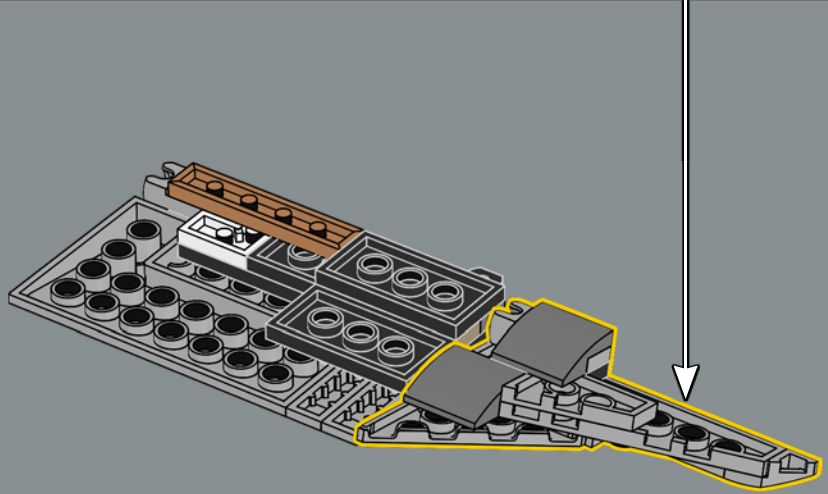
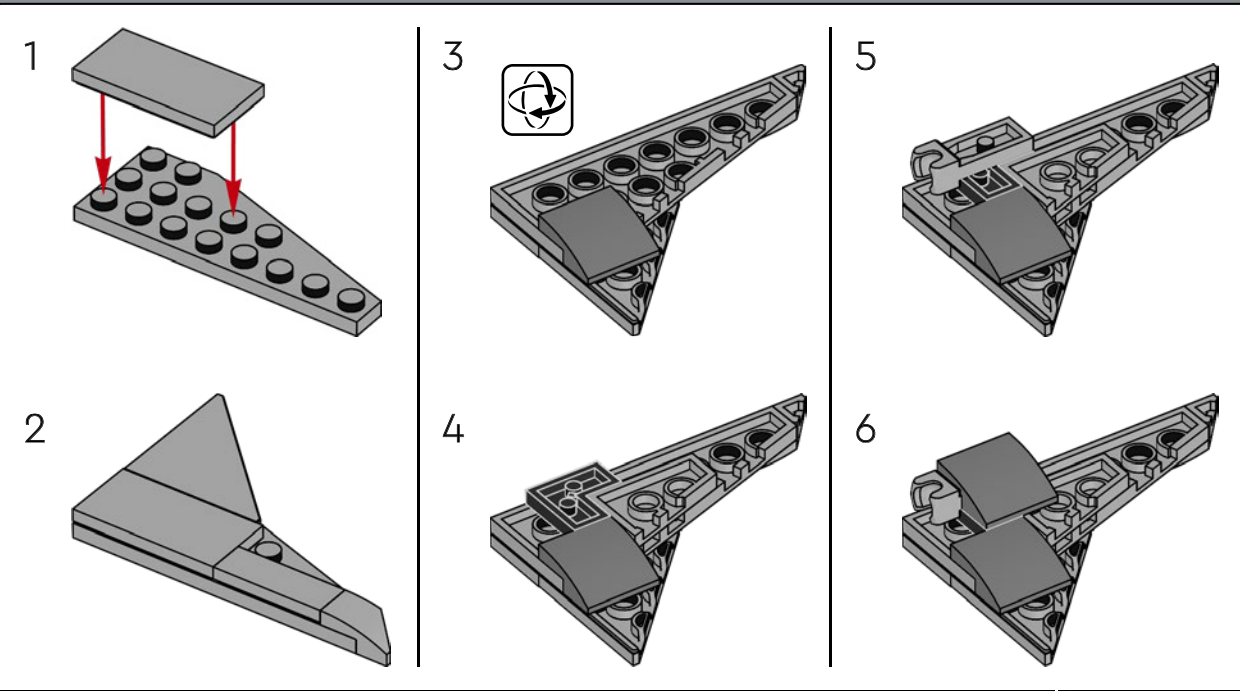


296

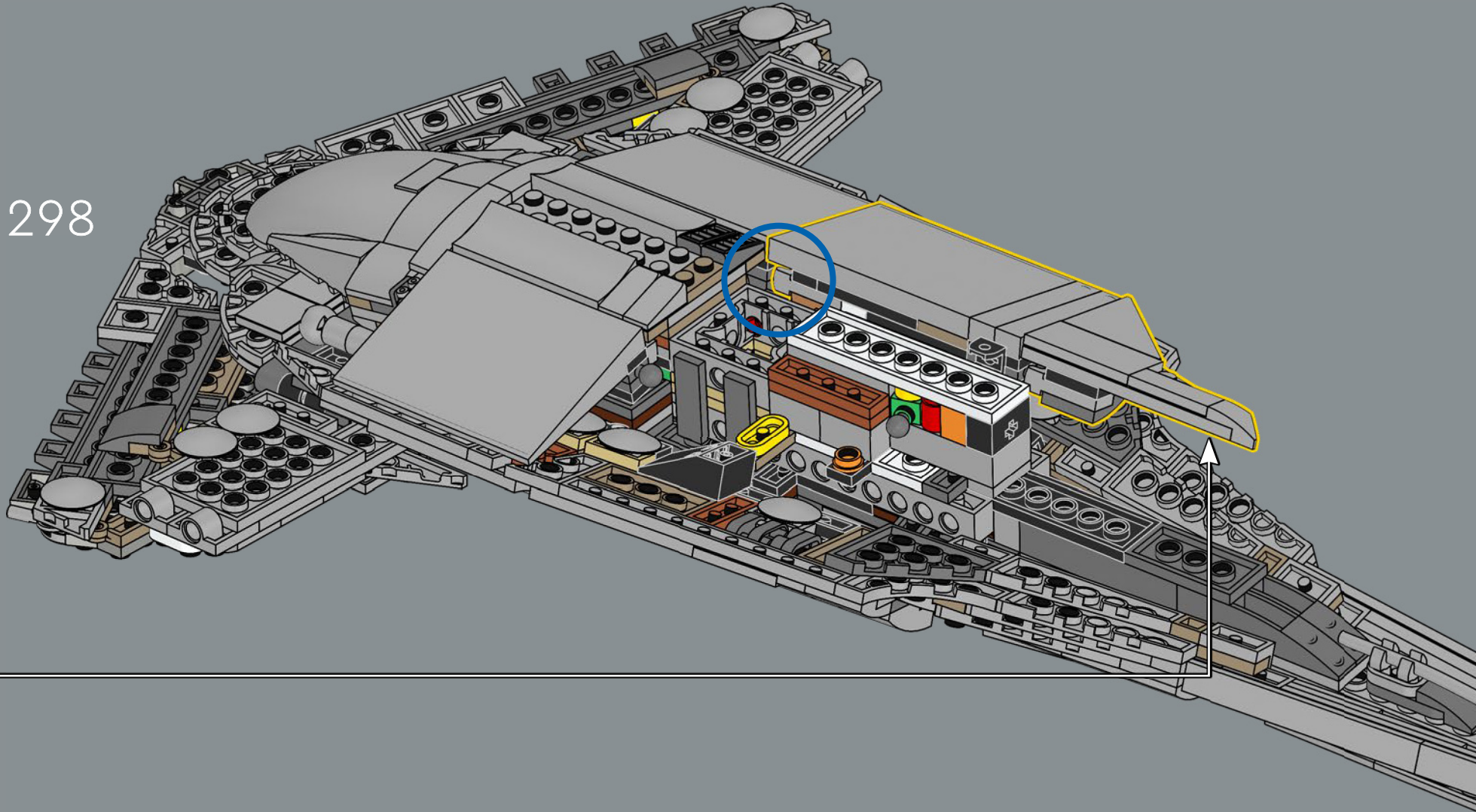


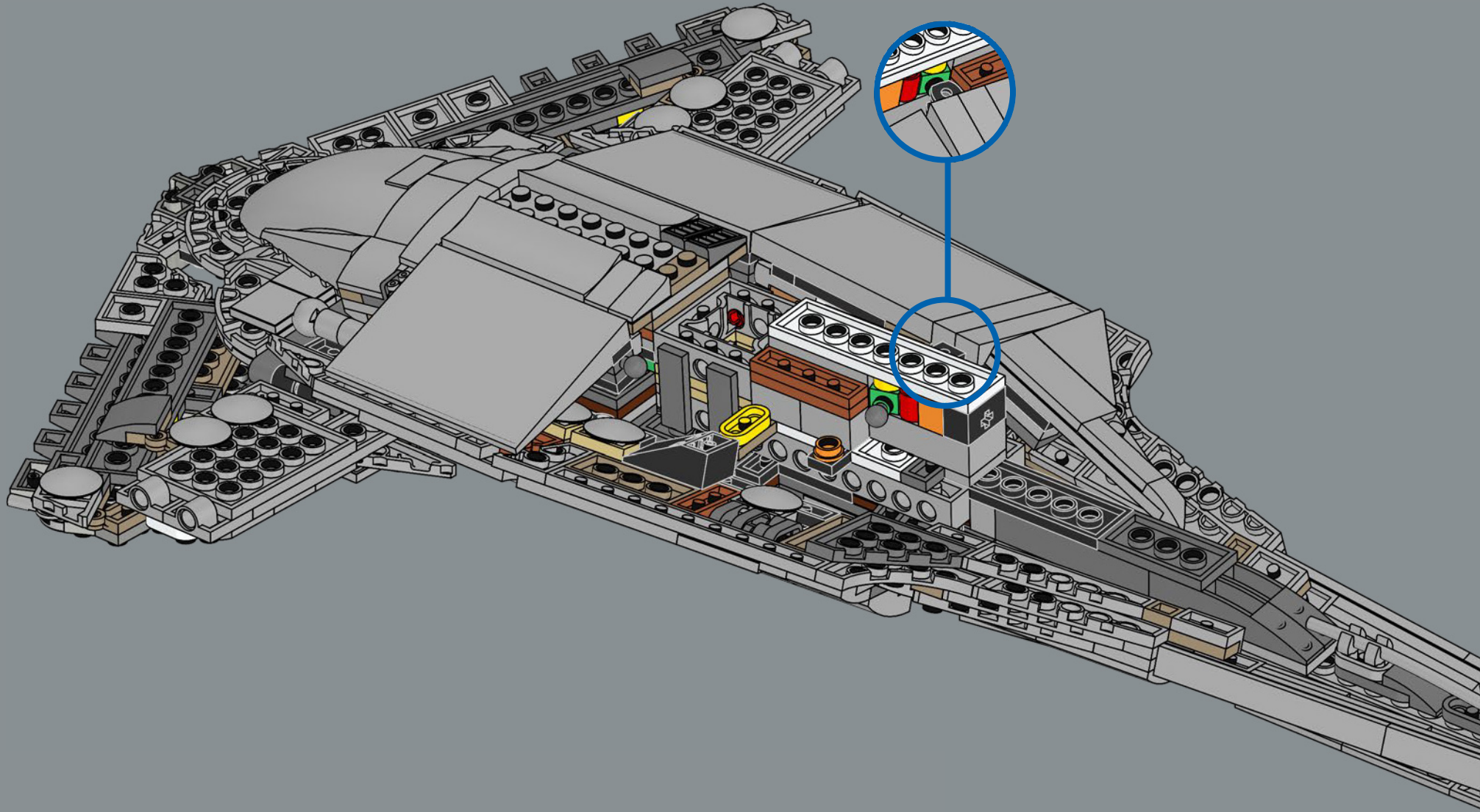


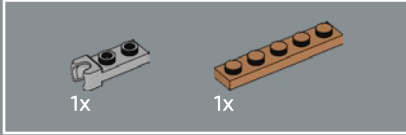
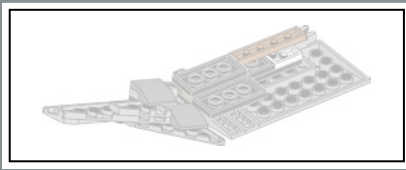
297



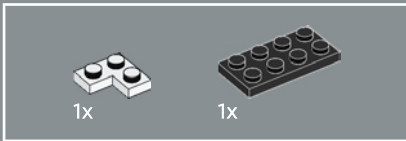
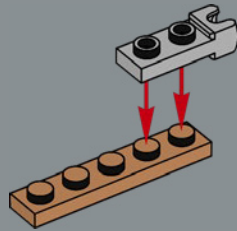
298



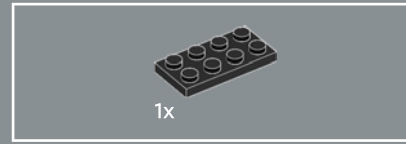
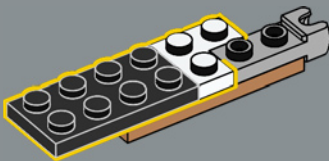




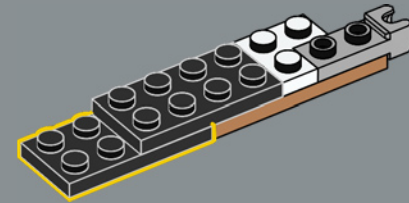
300



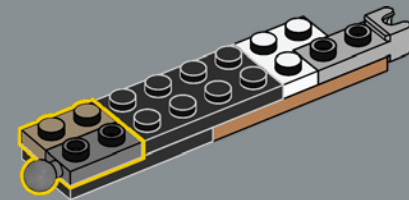
301

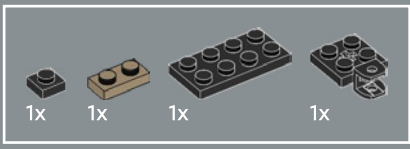


302

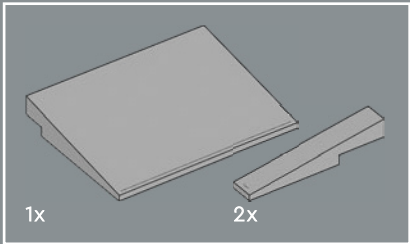
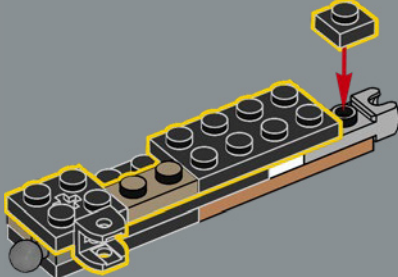


303

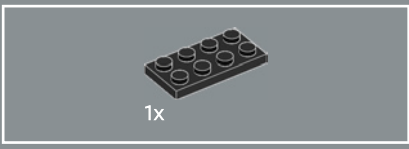
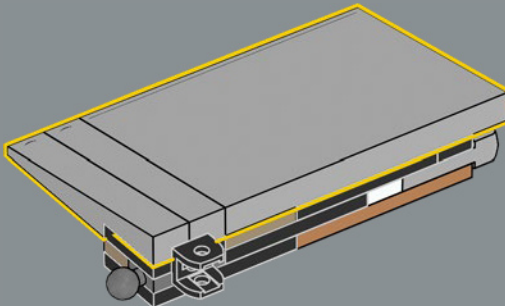




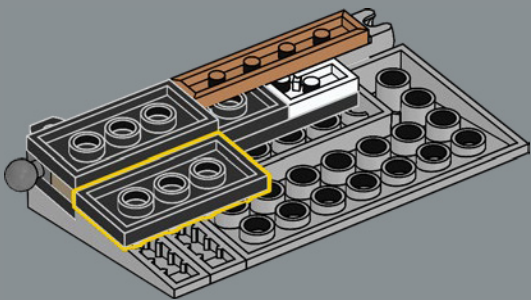
304

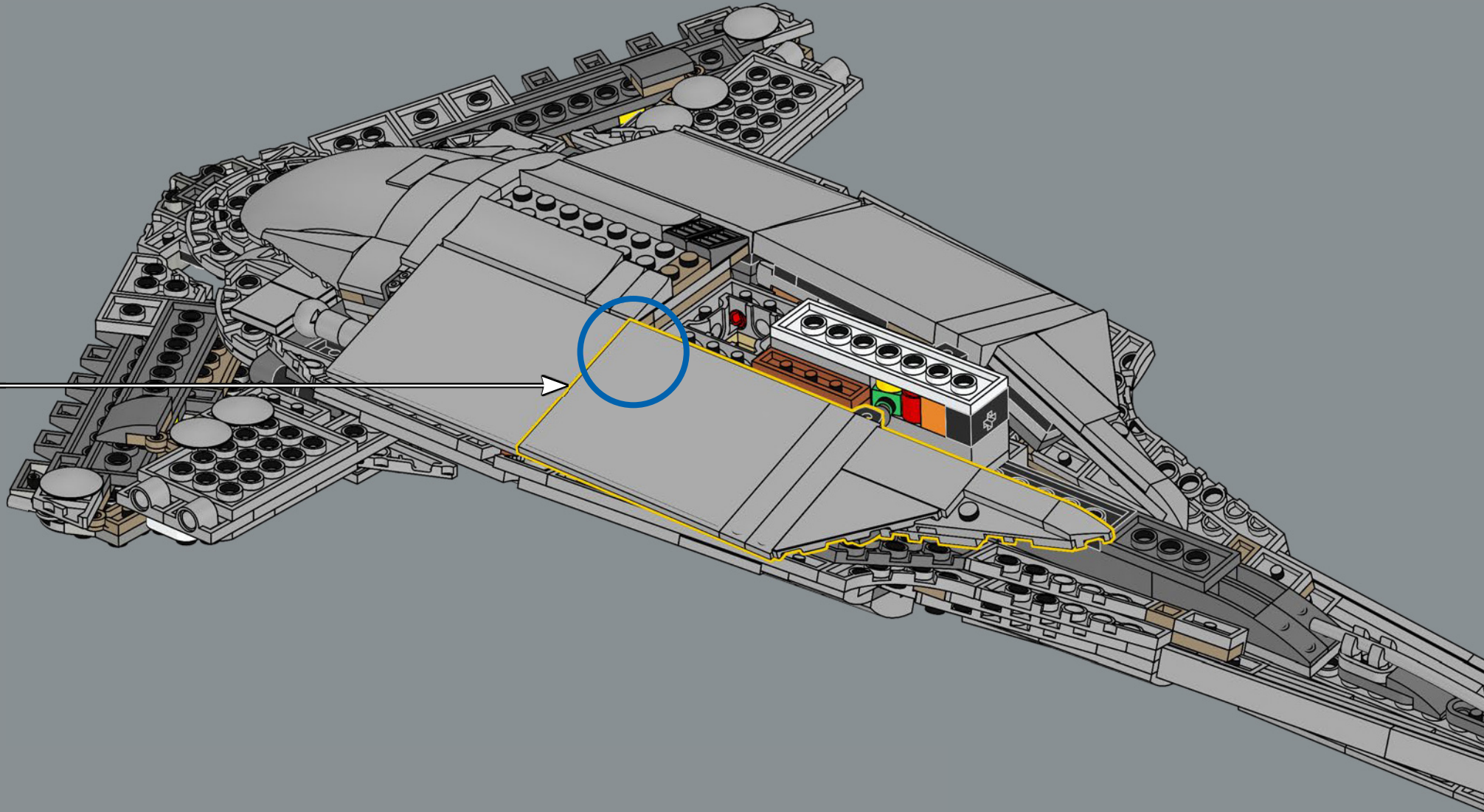


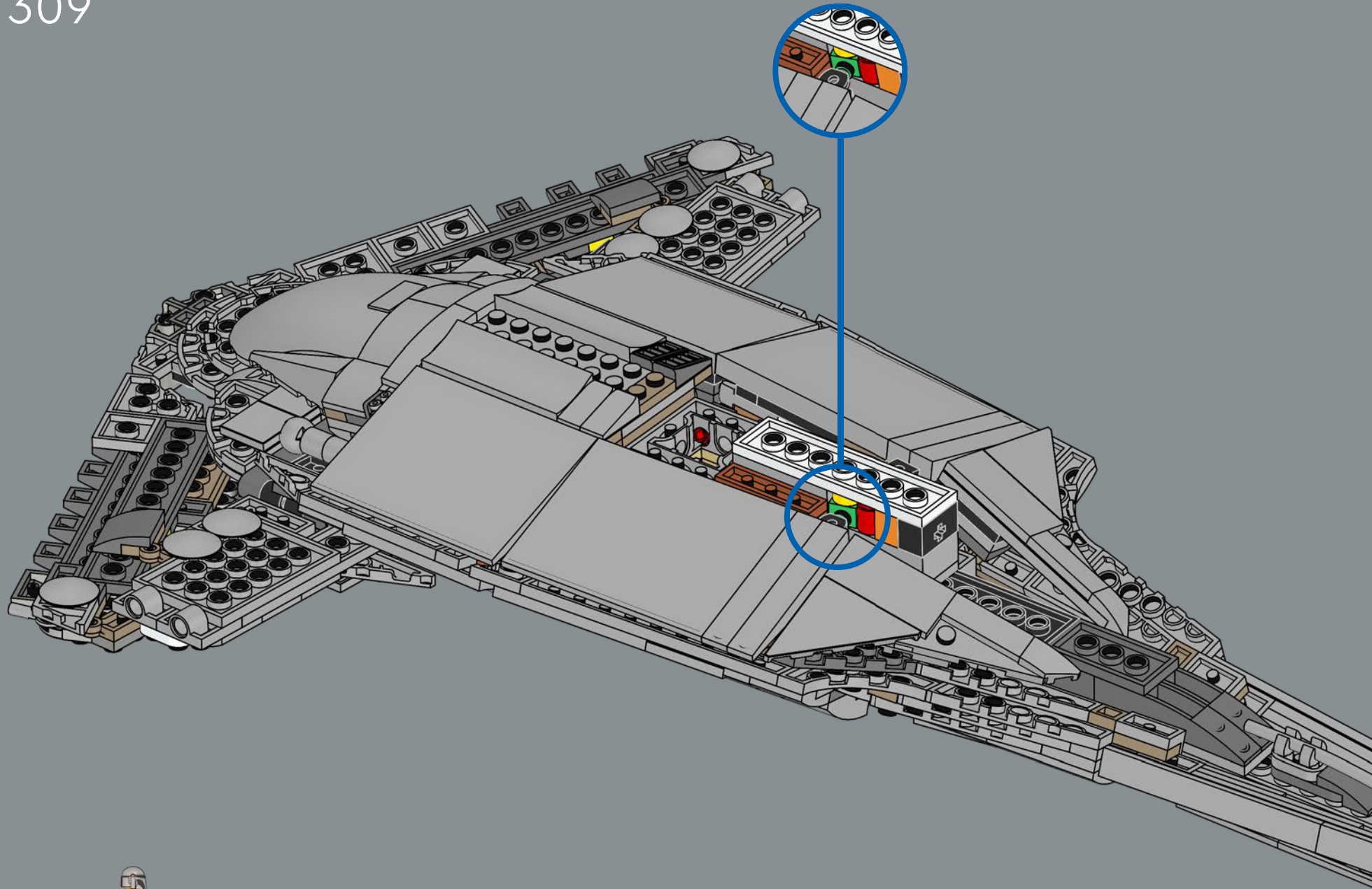
305

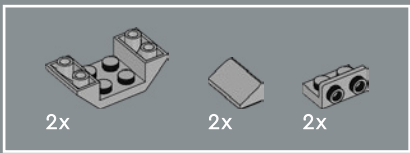


306

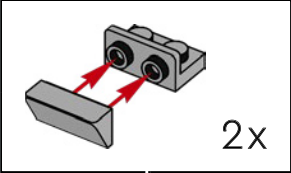
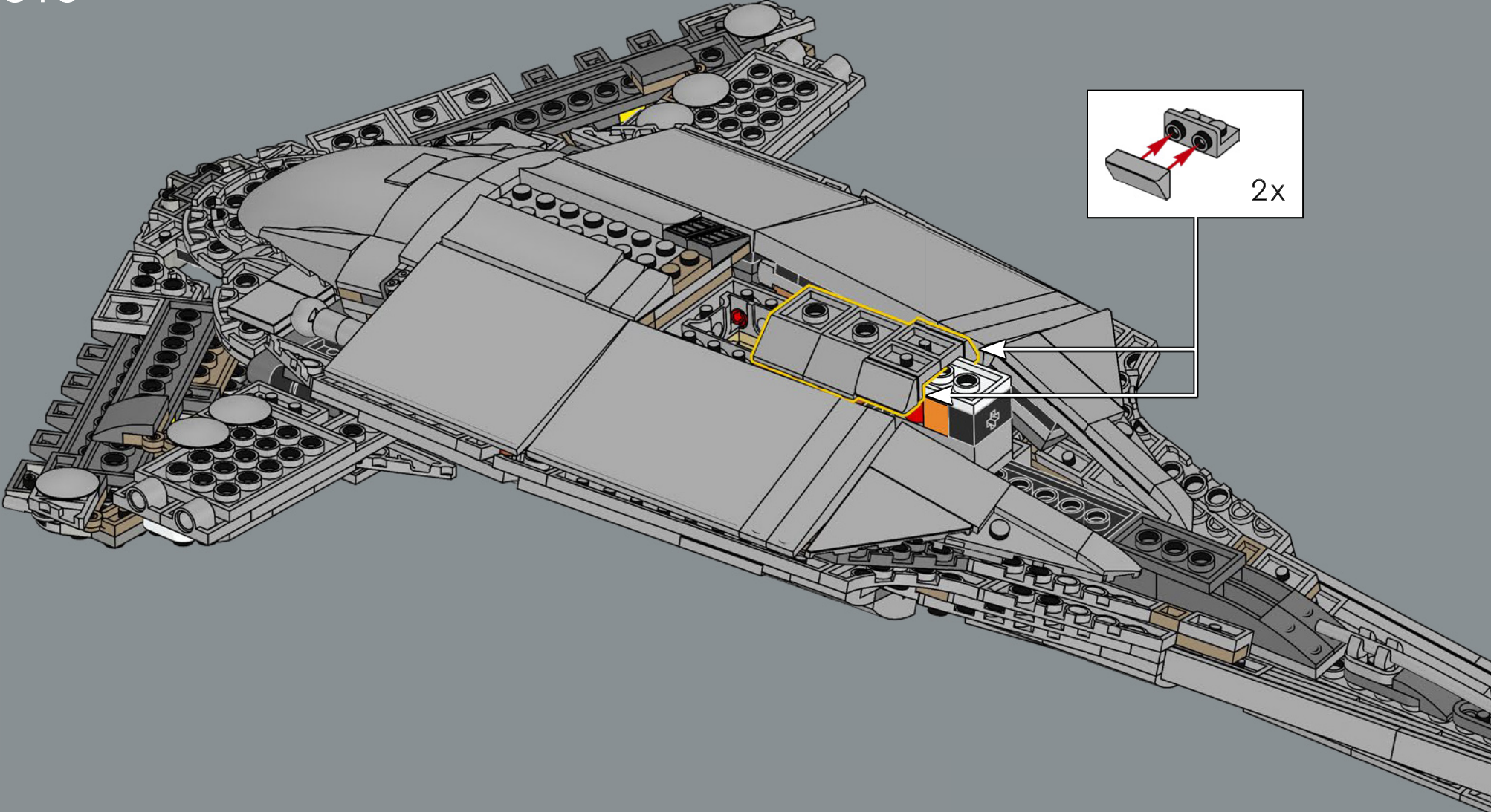


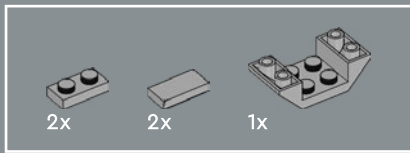




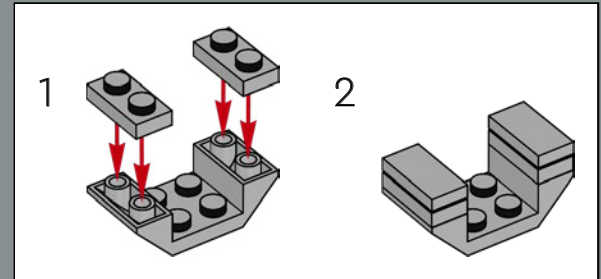
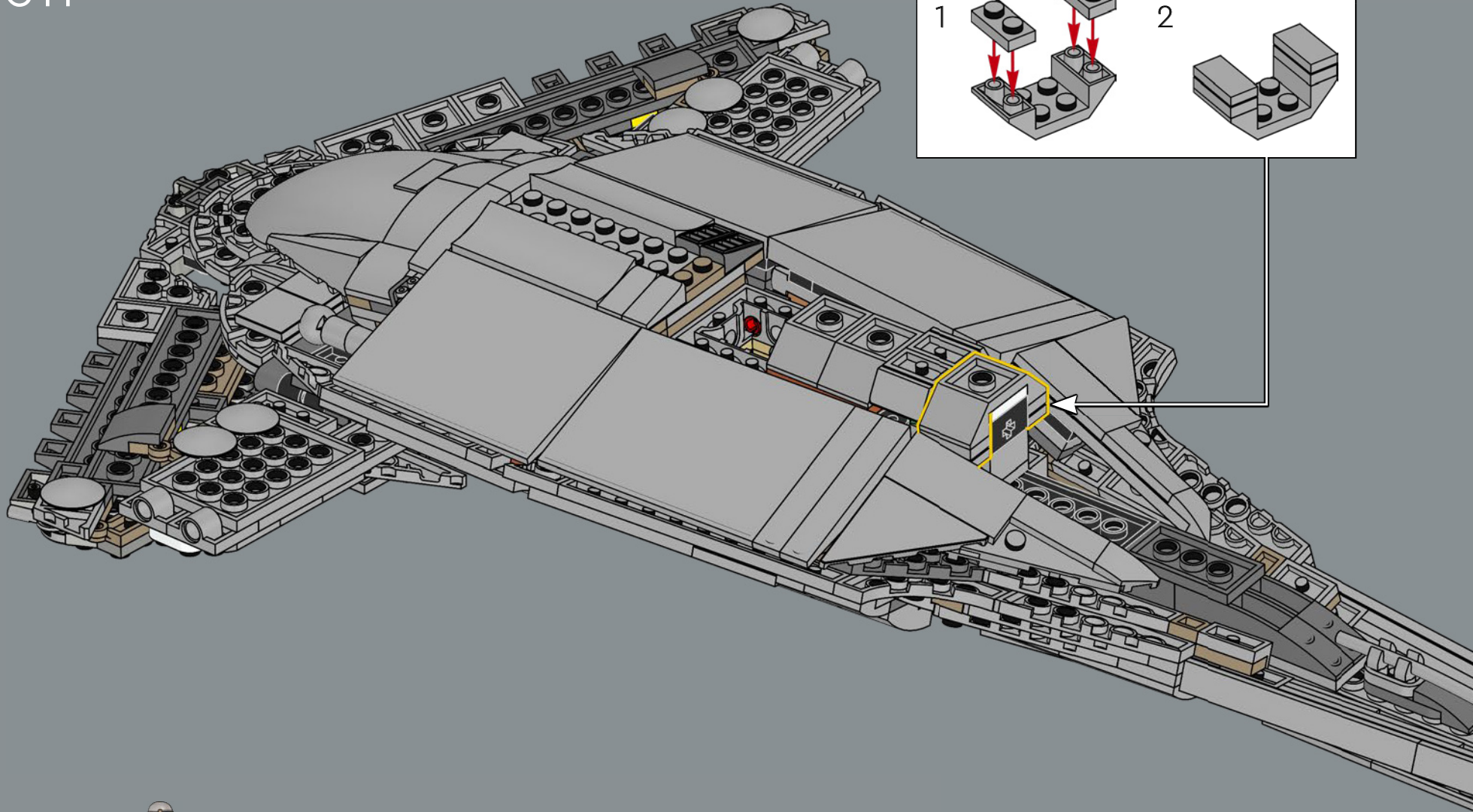


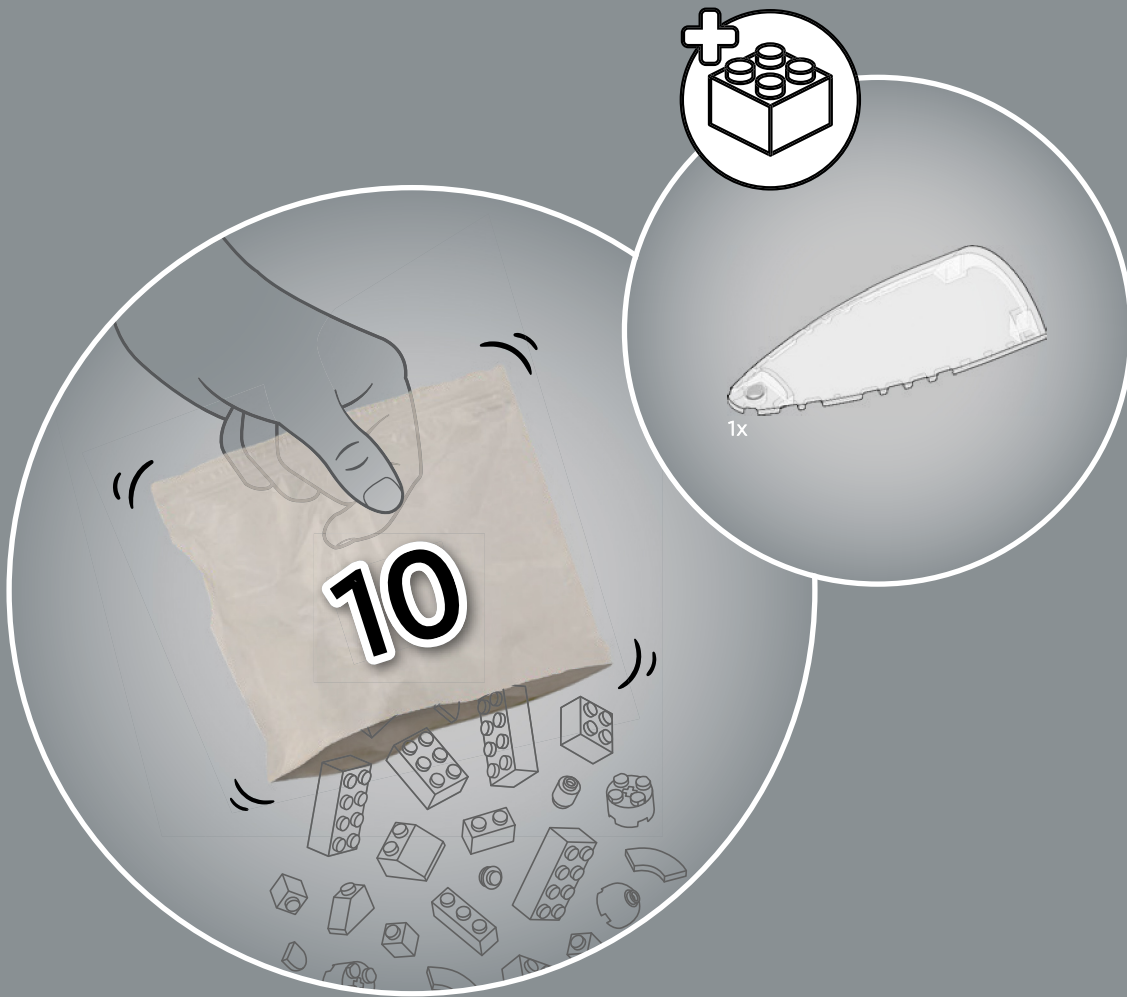
310

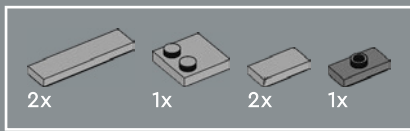




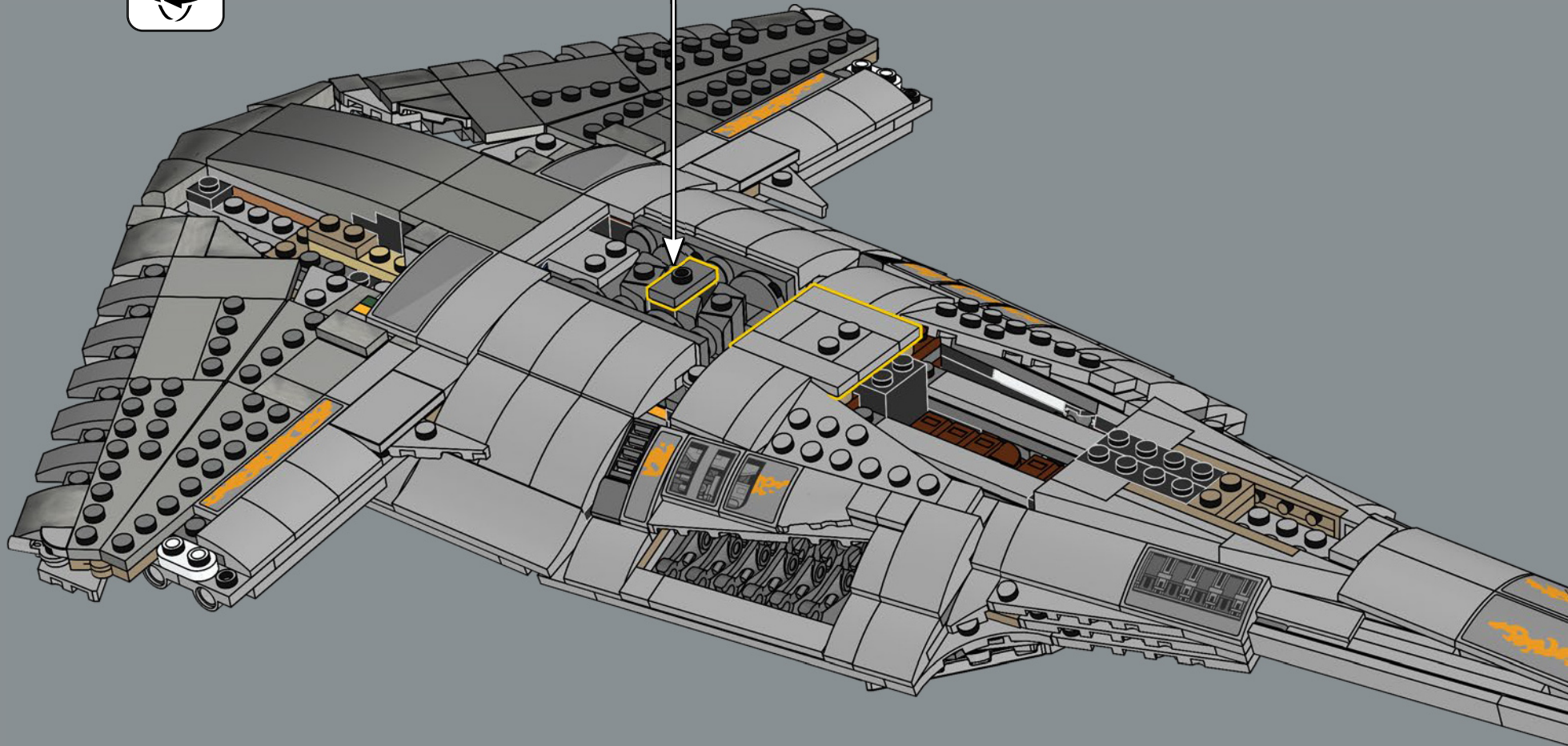
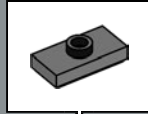
311

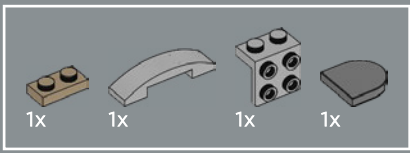




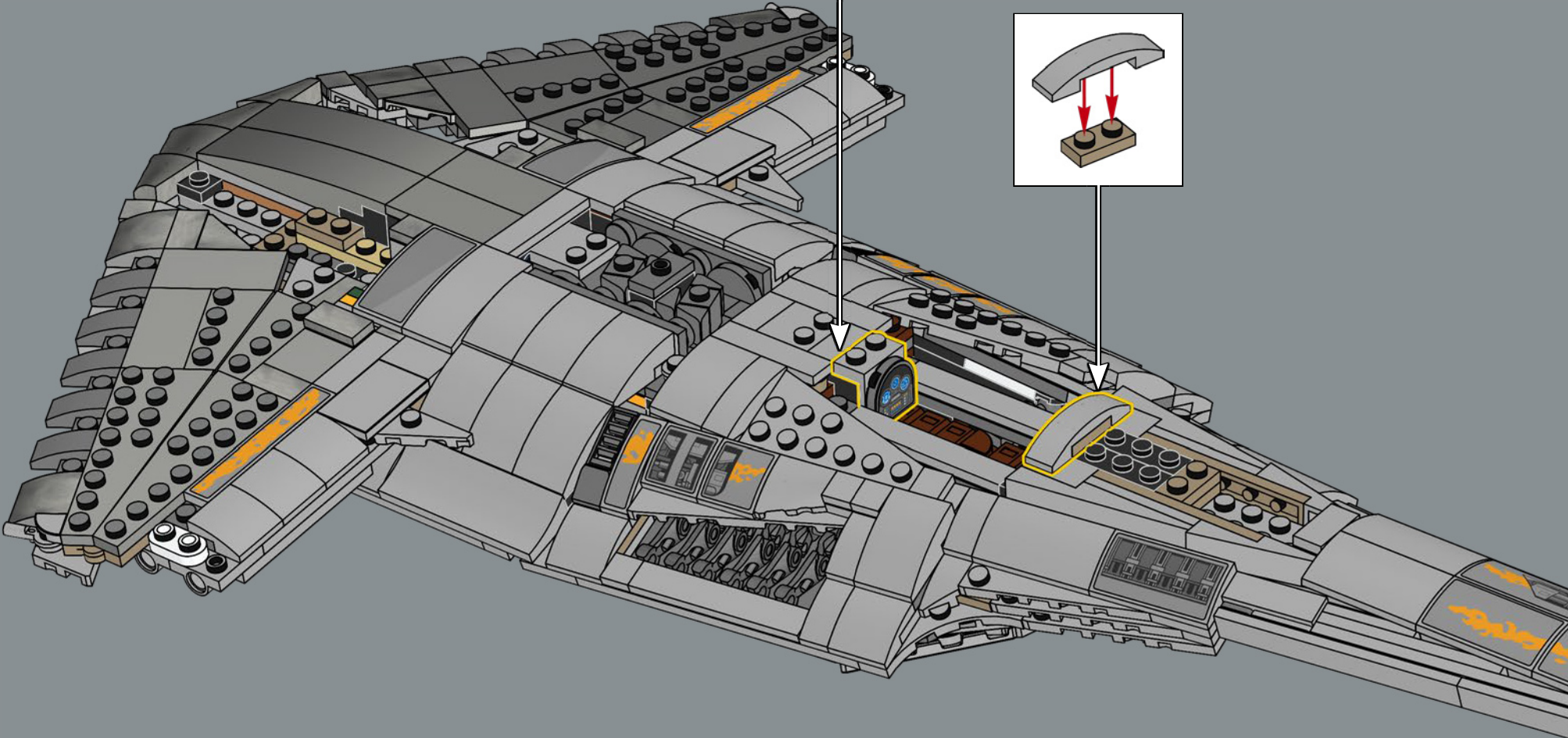
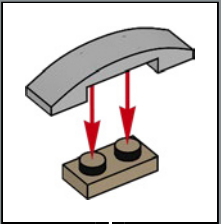
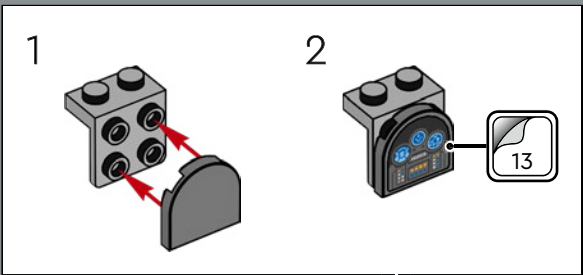


312





313



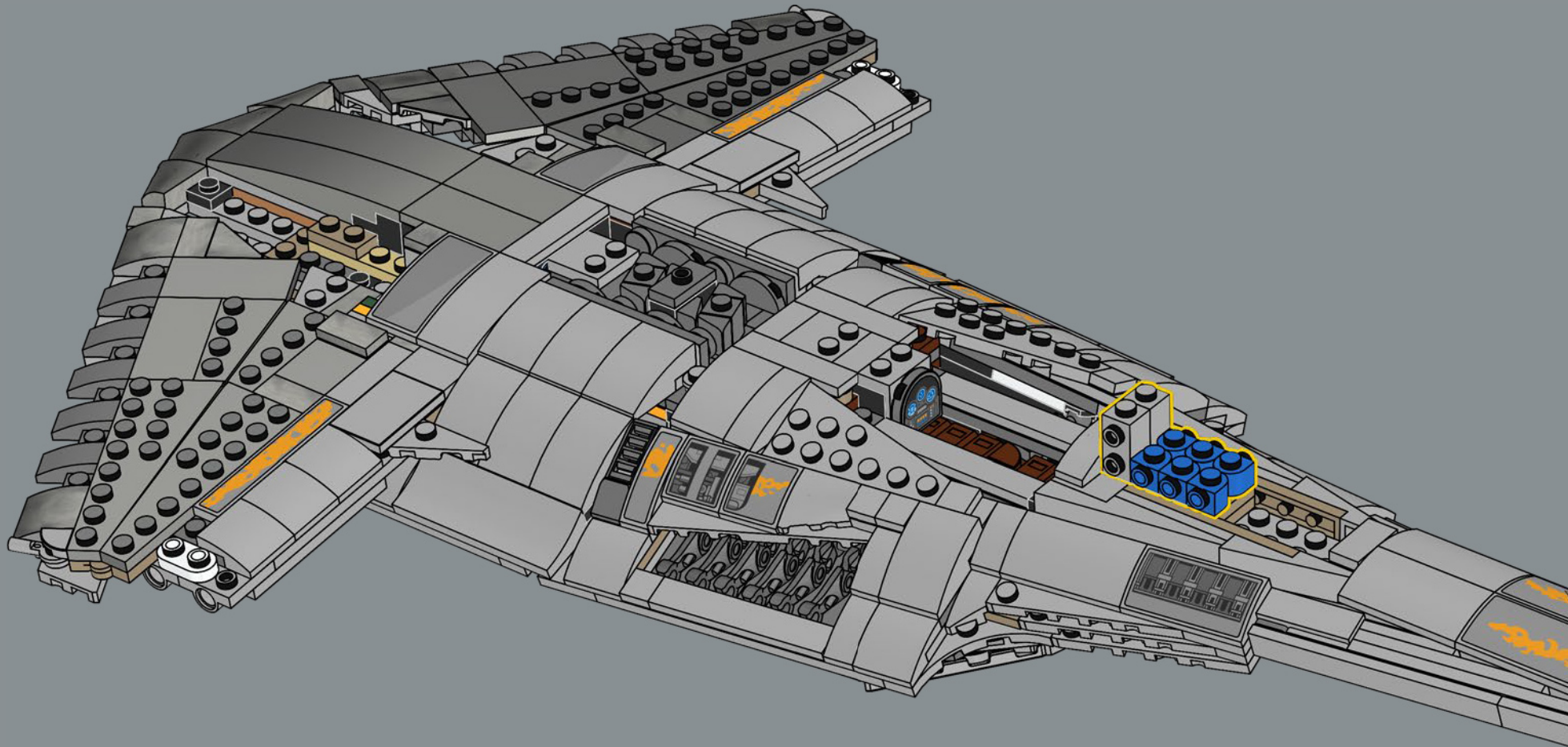


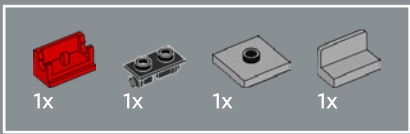
2x



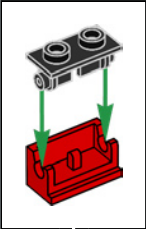
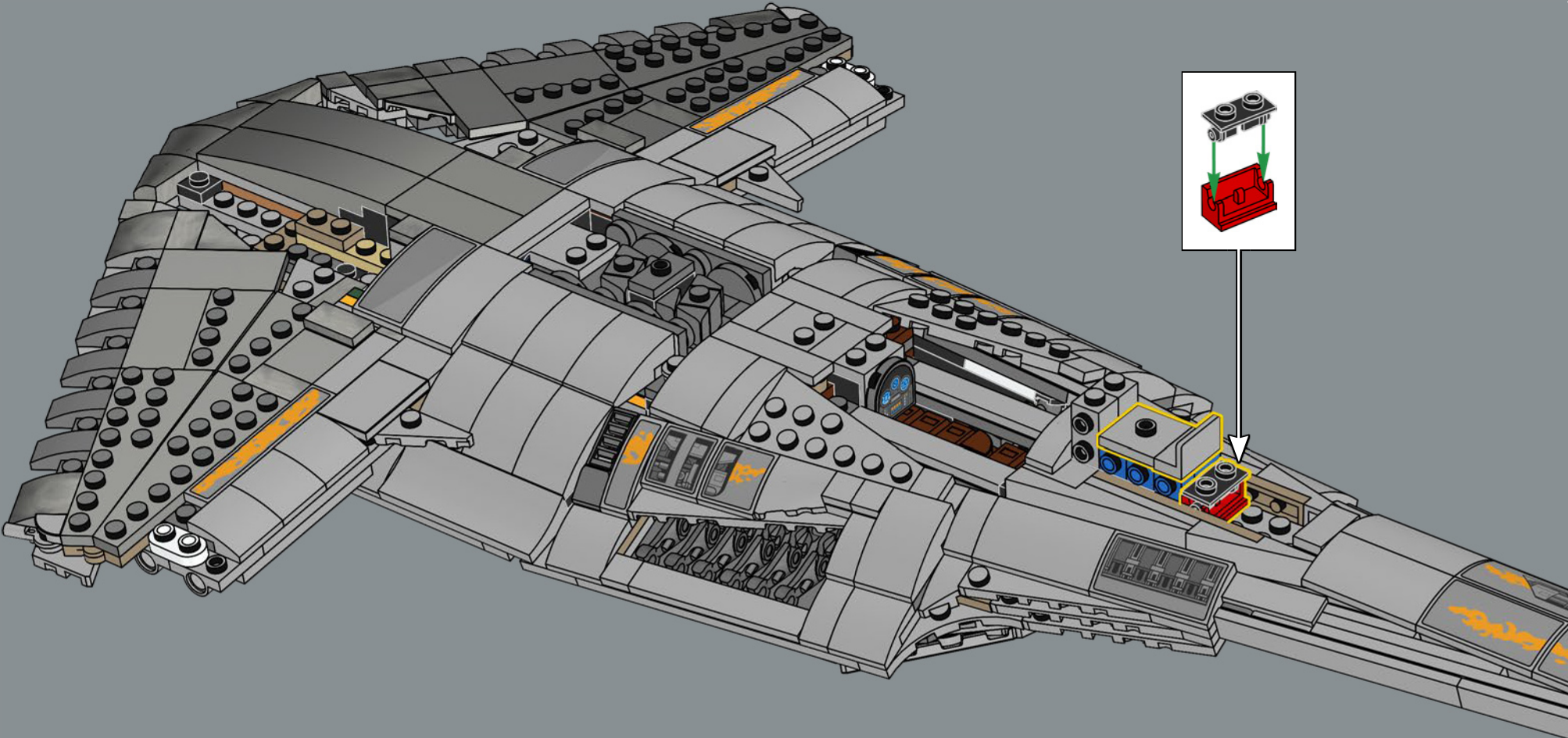
6x

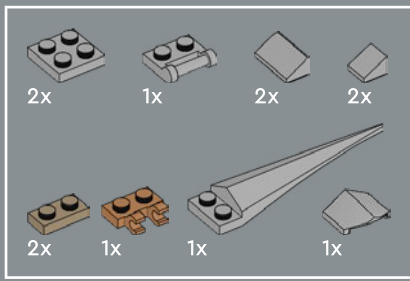
314





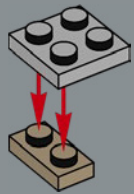
315



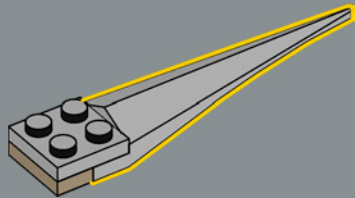


316

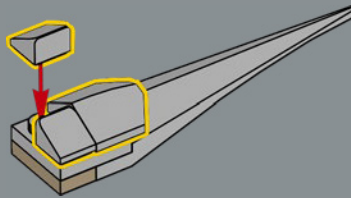
1



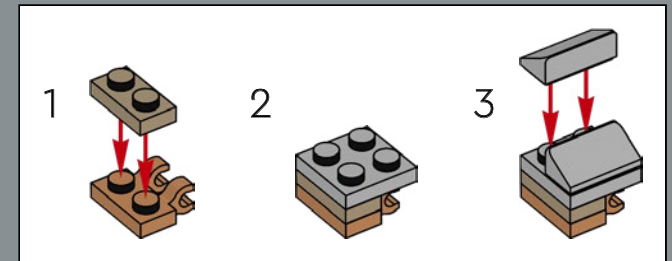
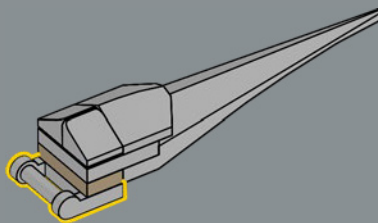
2



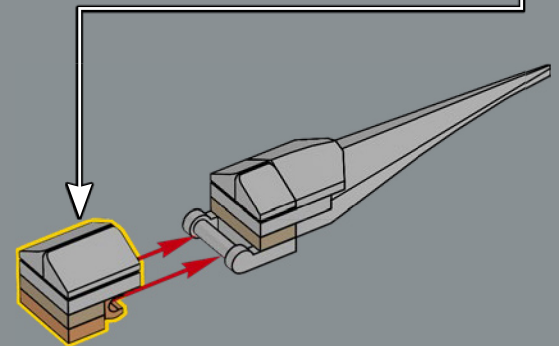
3

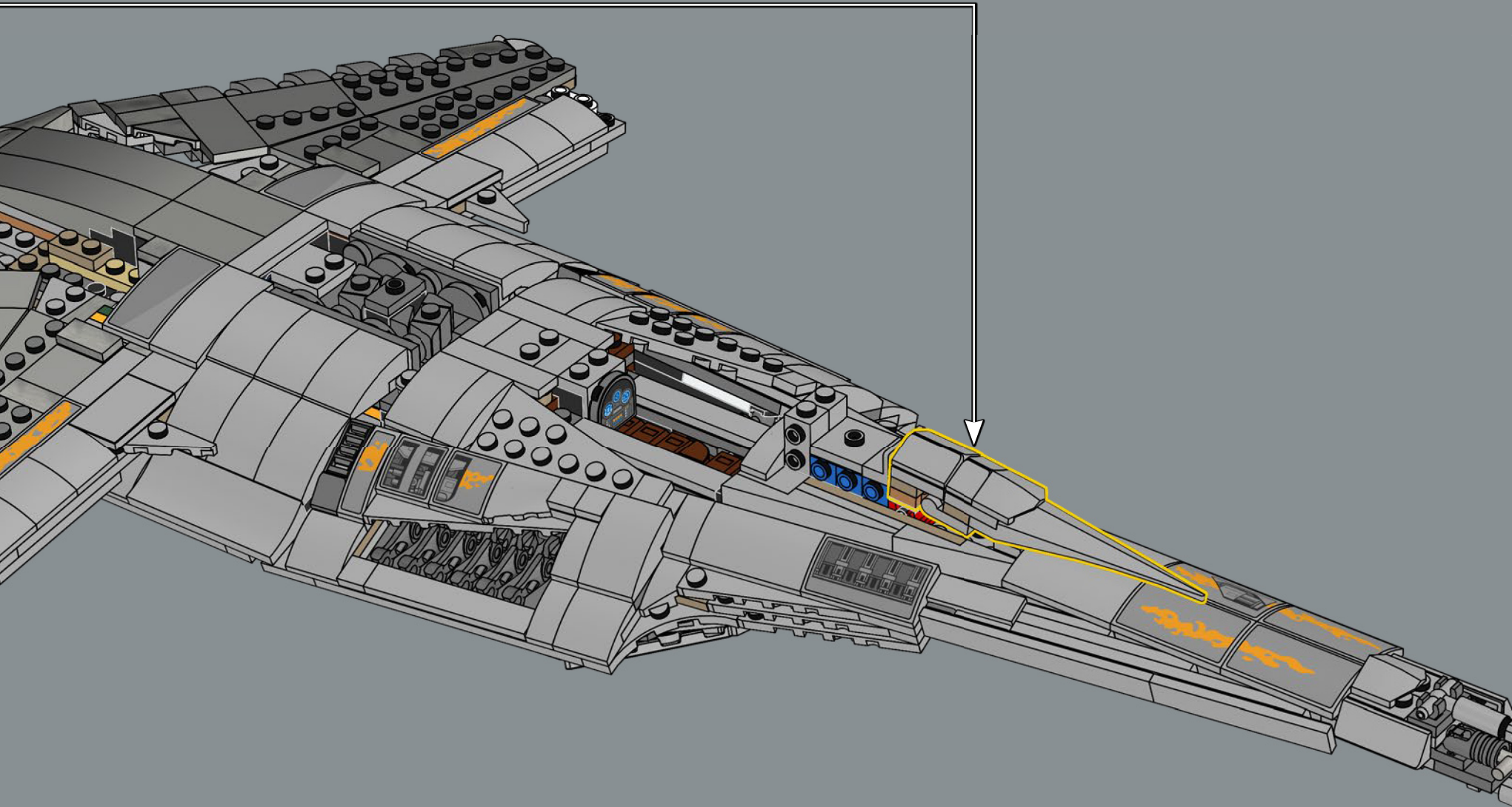


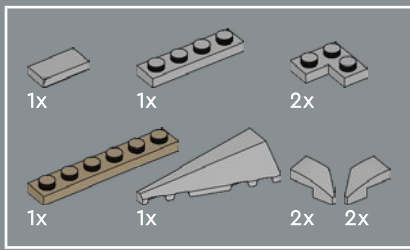
4



5

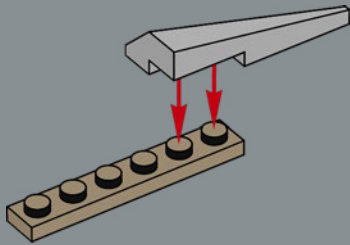




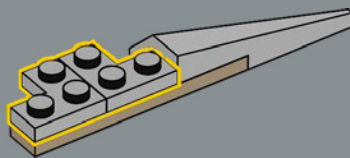


317

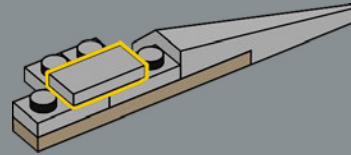
1



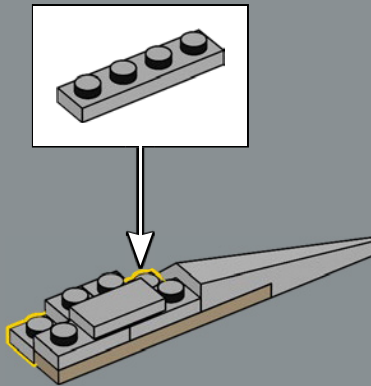
2



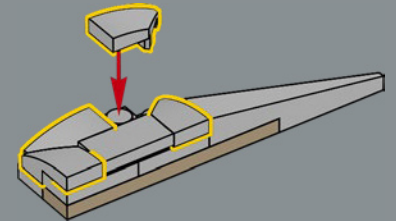
3

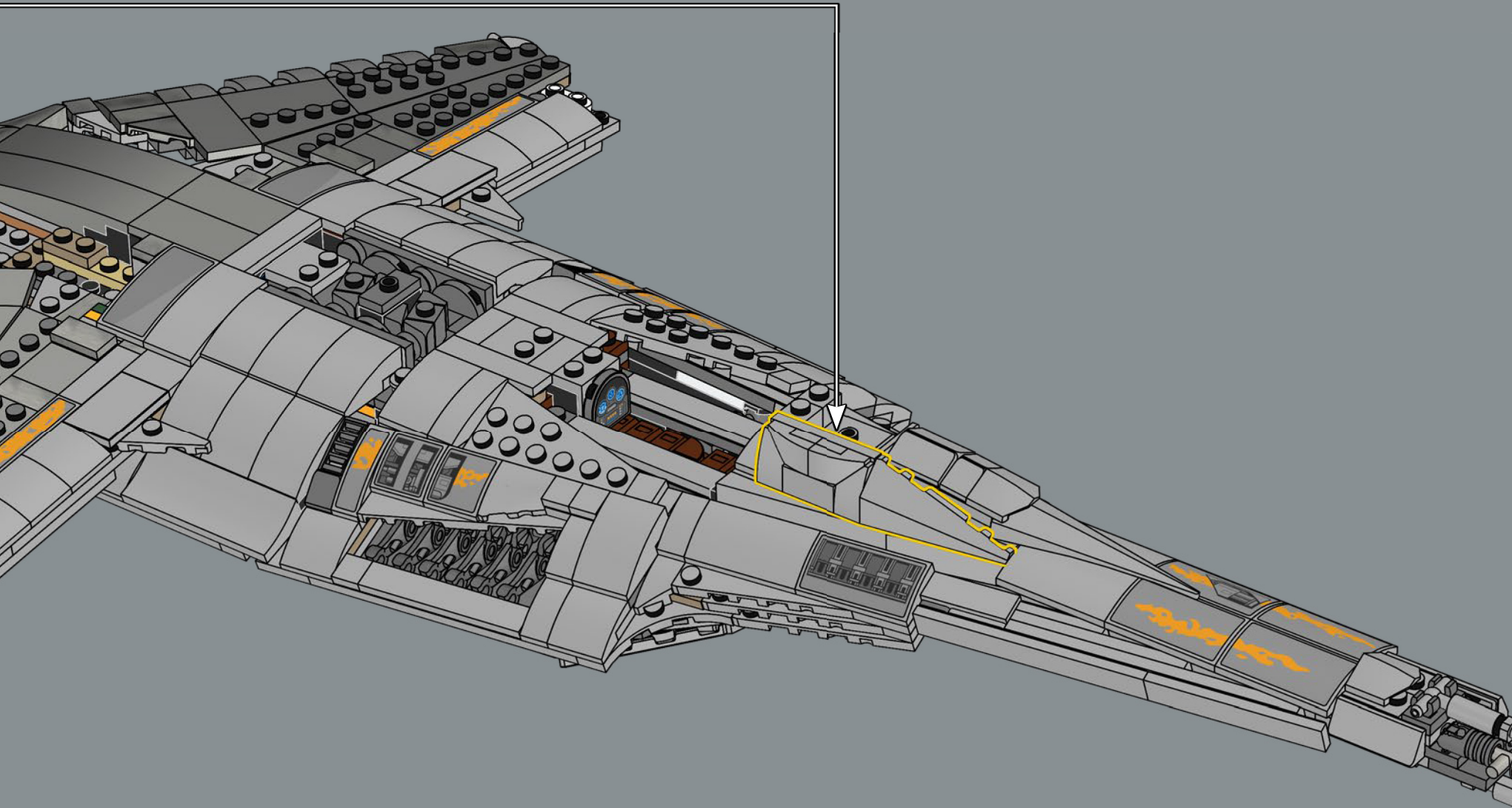


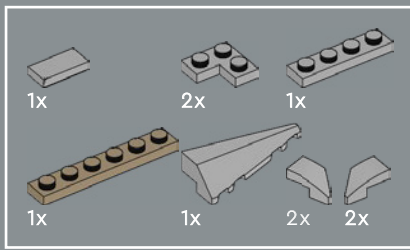
4



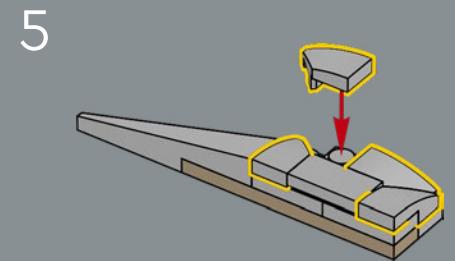
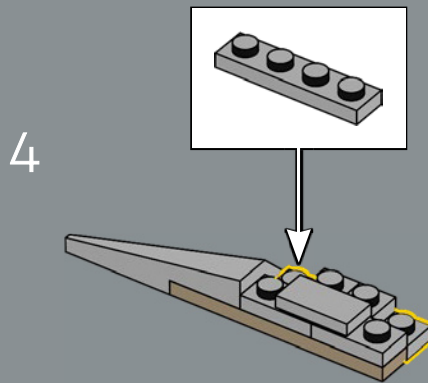
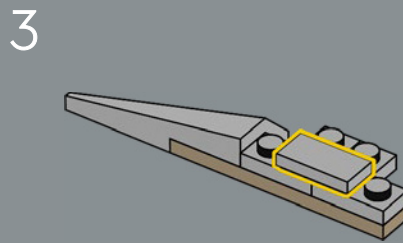
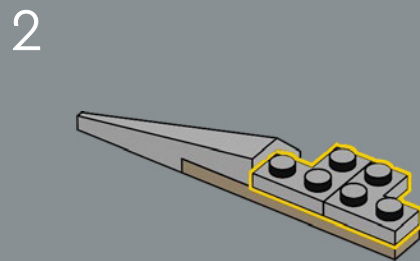
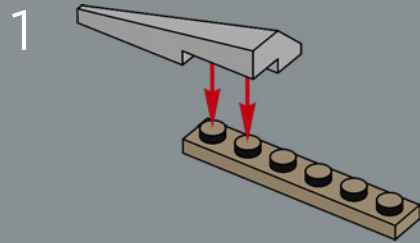
5

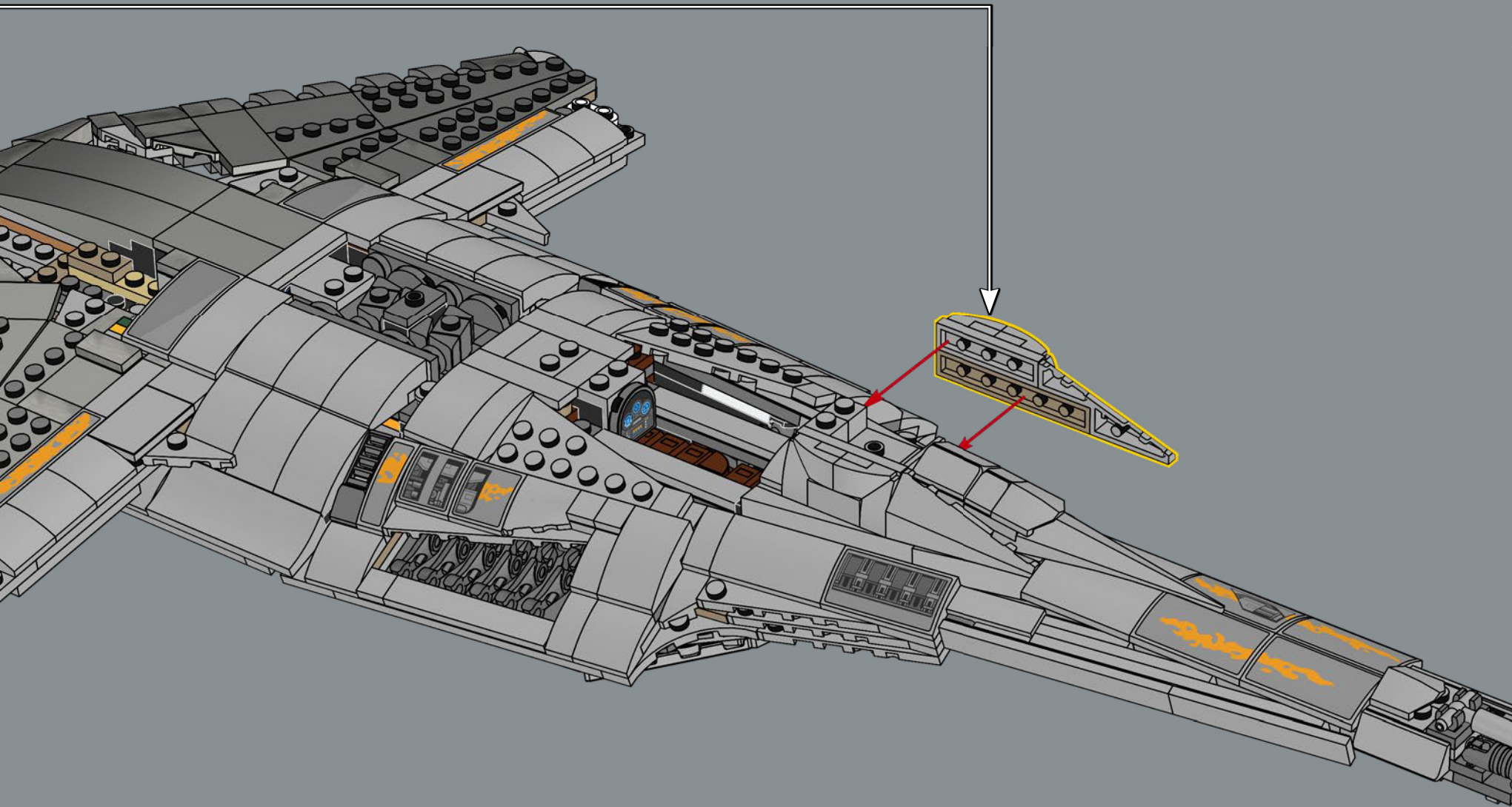


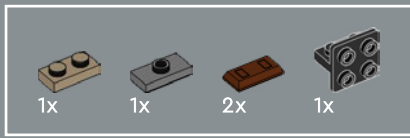




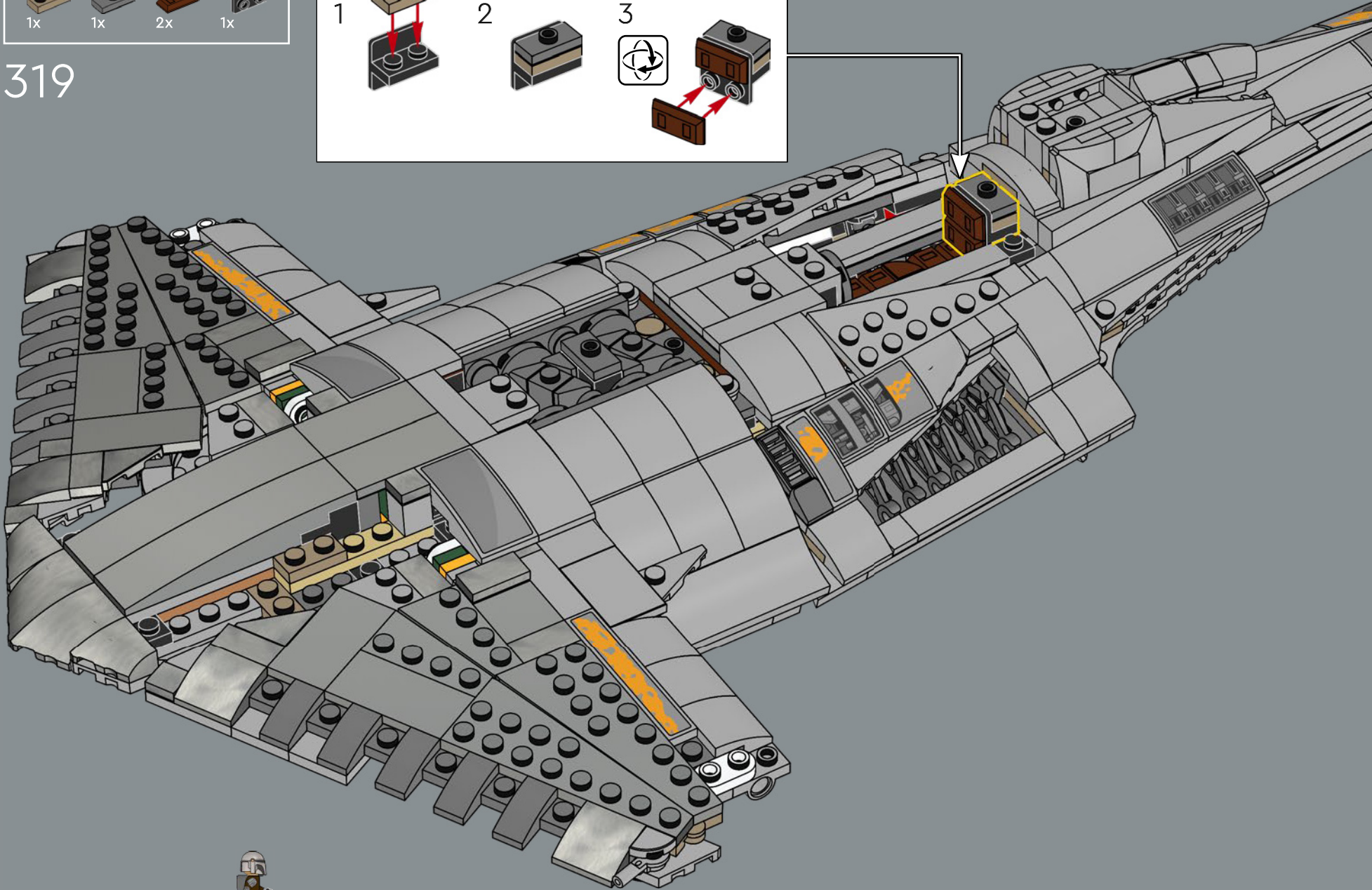
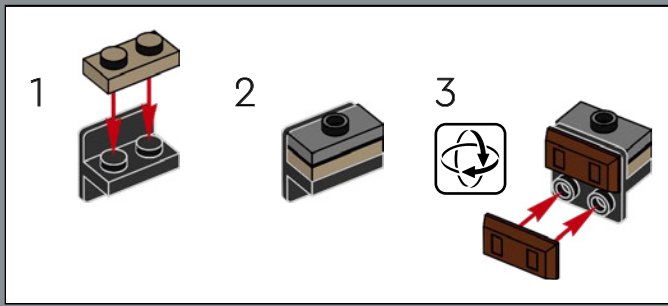
318

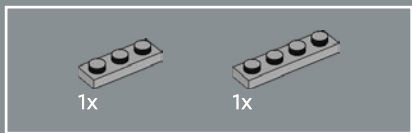




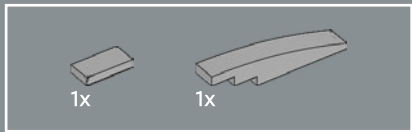
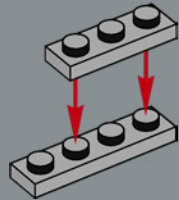


319

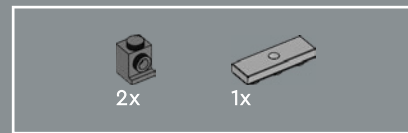
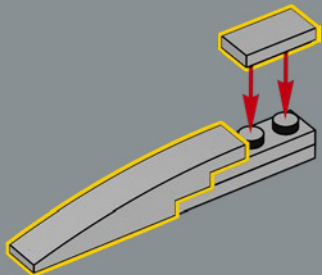




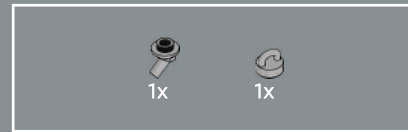
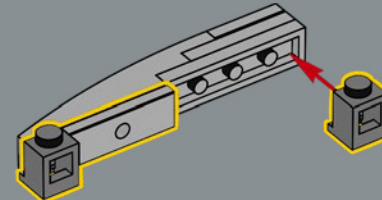
320



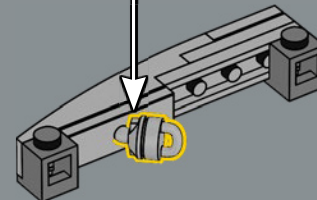
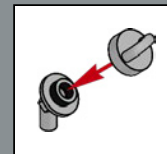
321



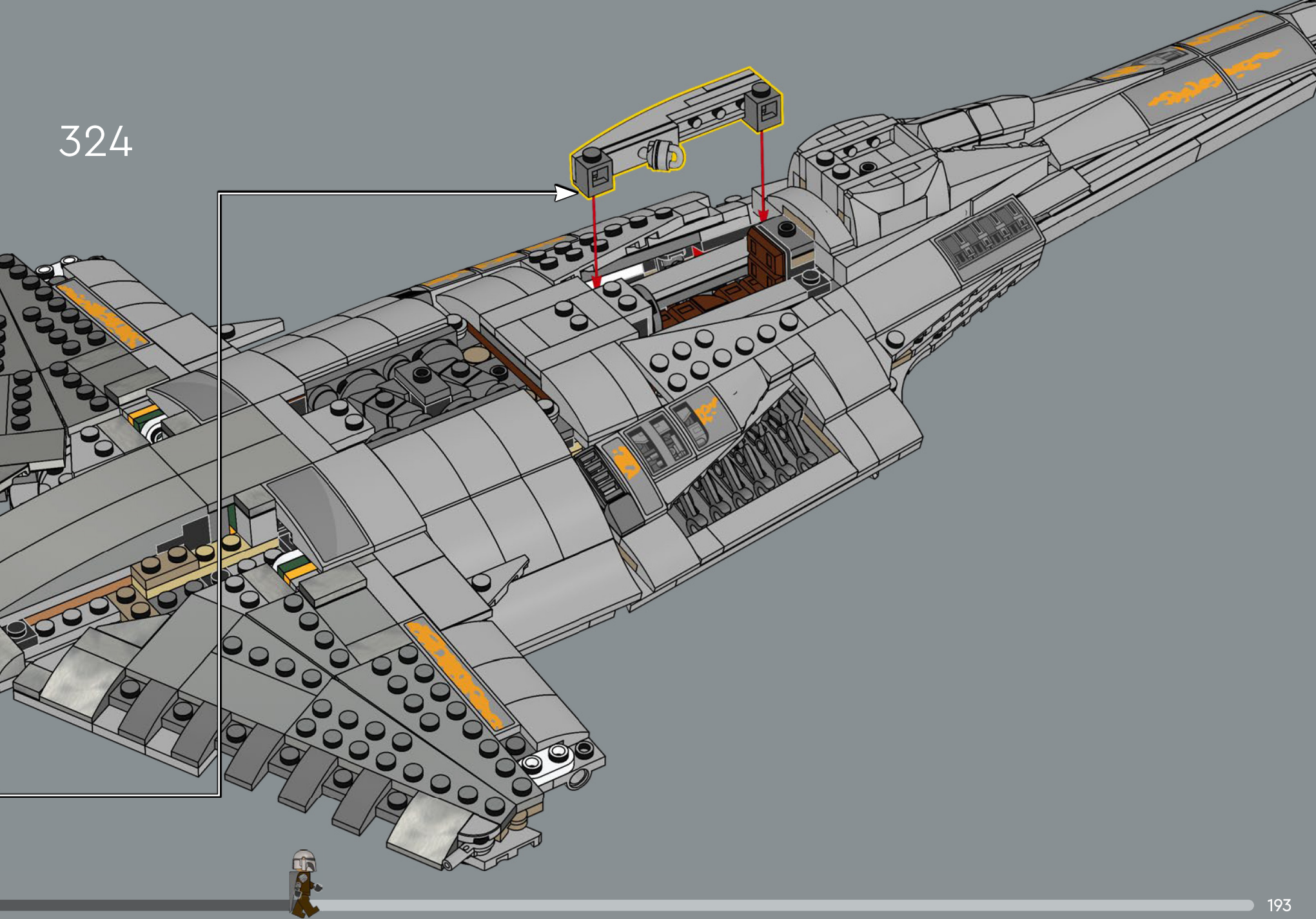
322

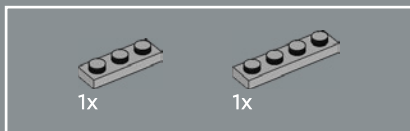


323

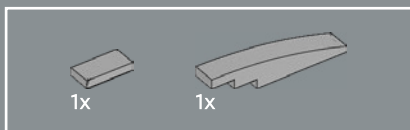
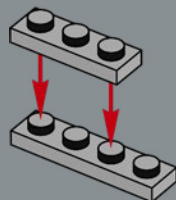


324

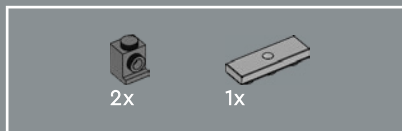
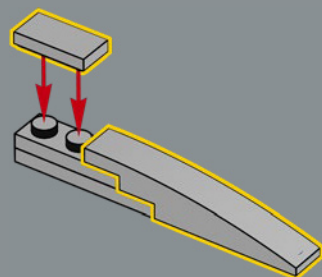




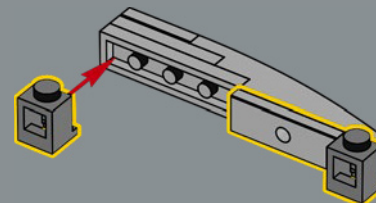
325



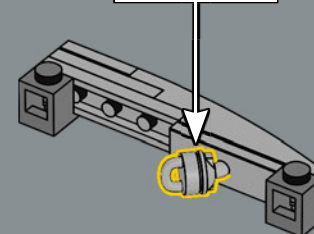
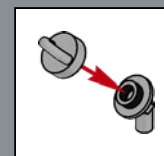
326



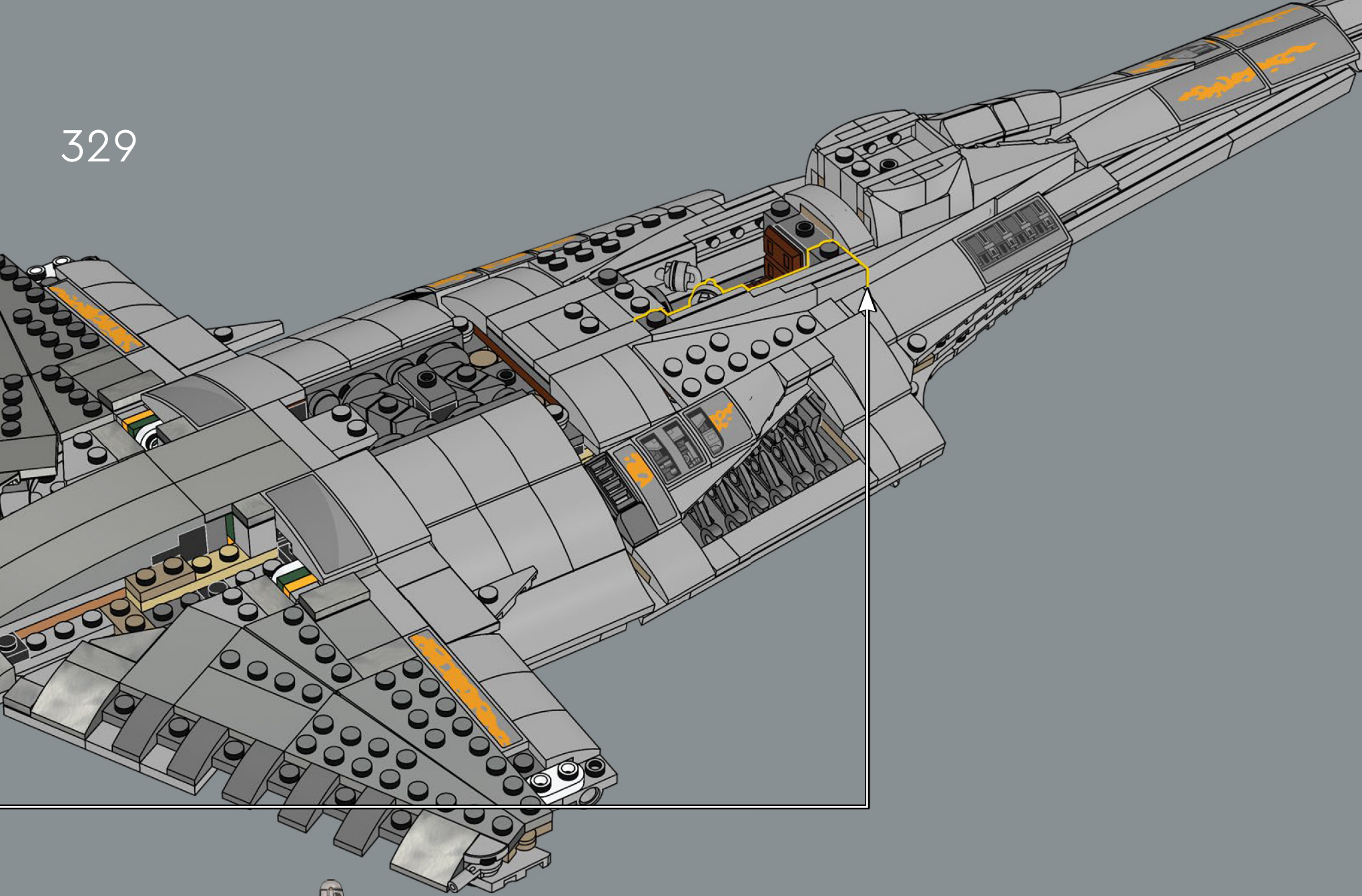
327

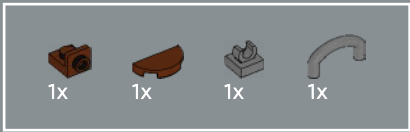


328

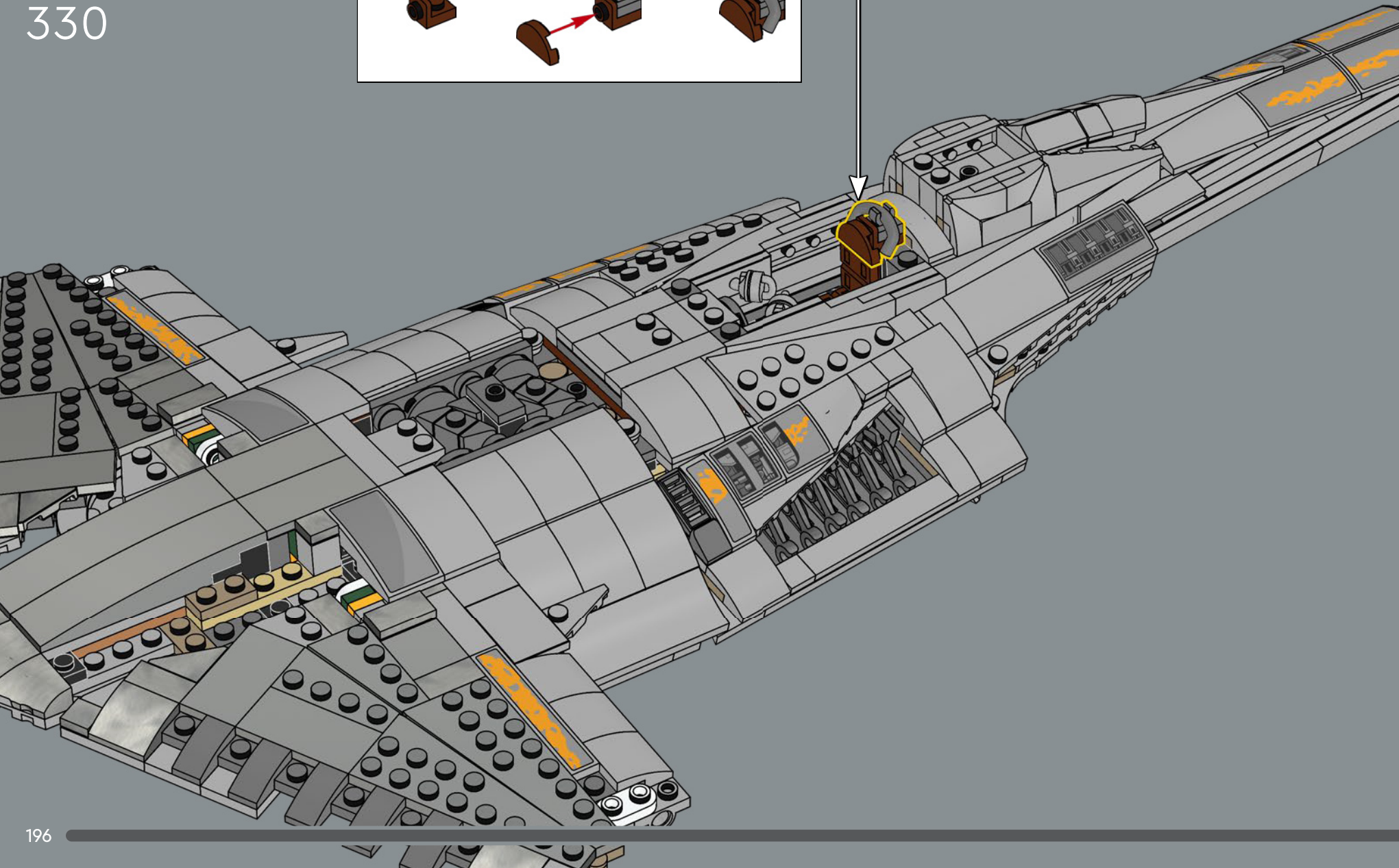
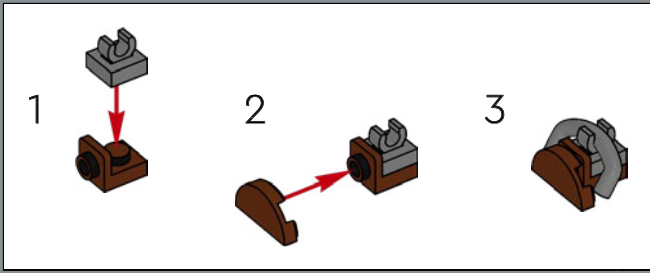


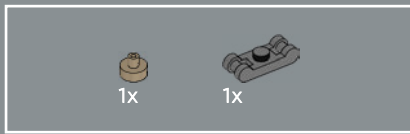
329



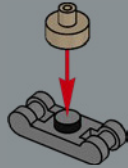


330

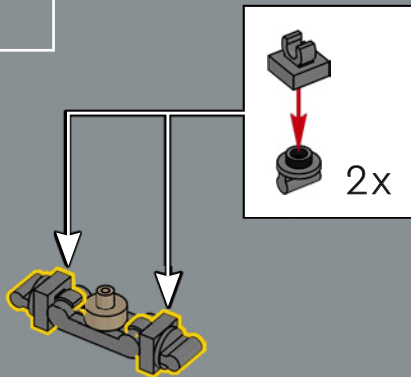




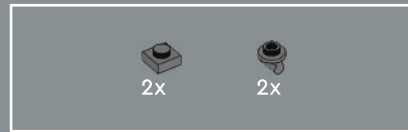
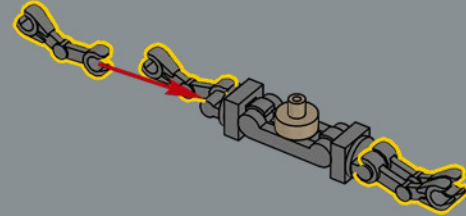
331



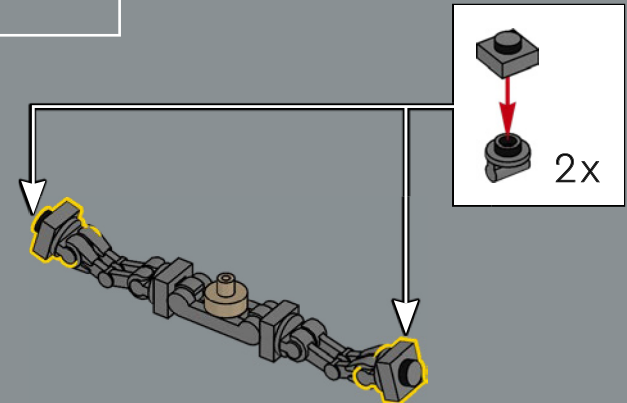
332



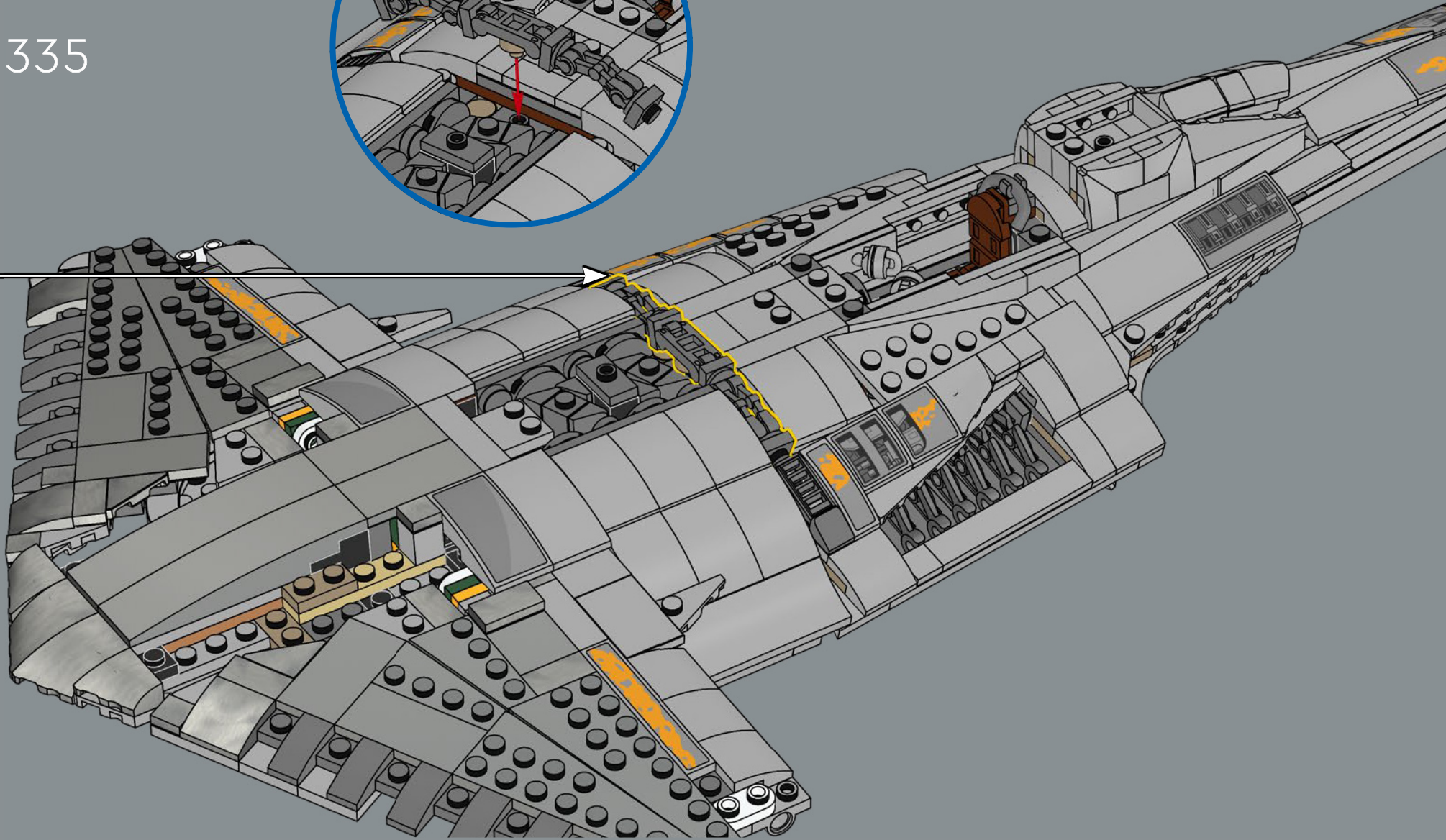
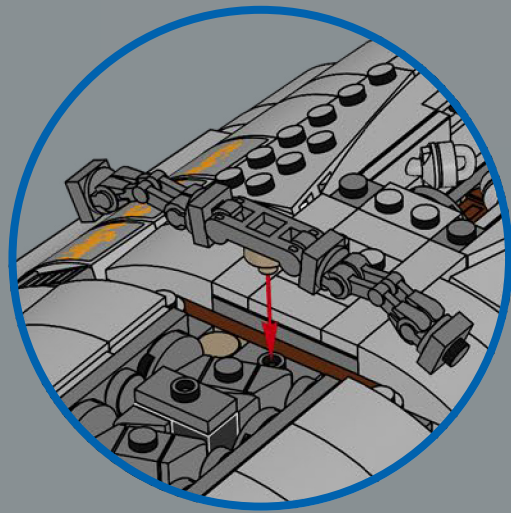
333

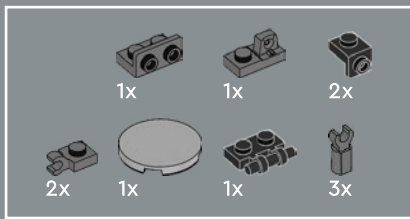


334



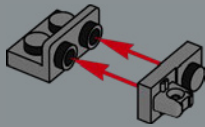
335



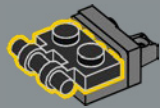


336

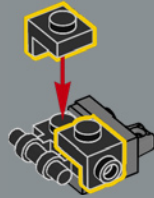
1



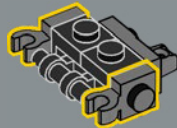
2



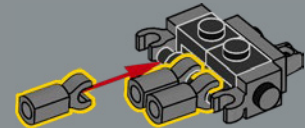
3



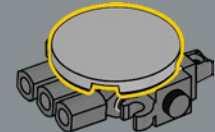
4

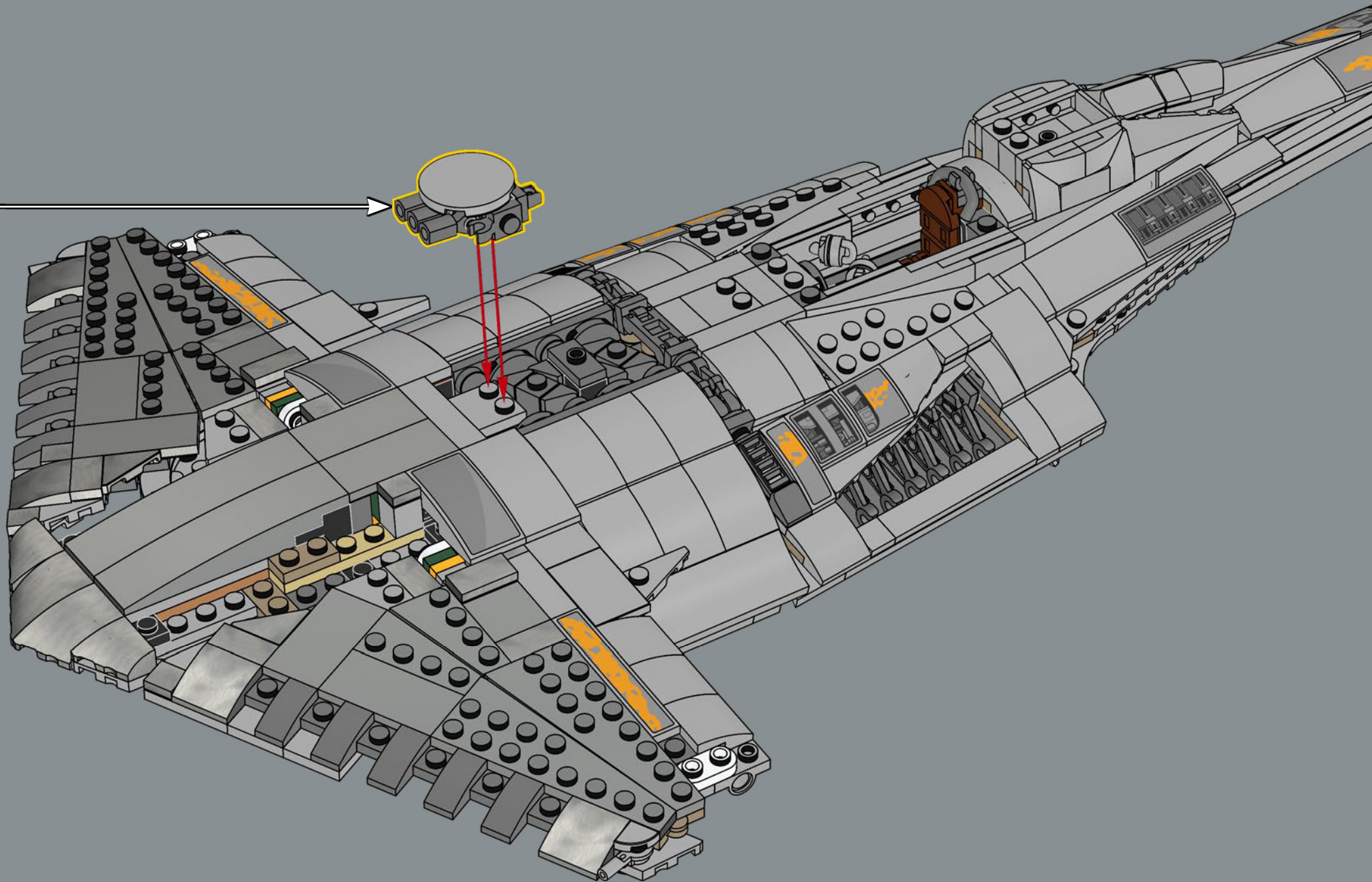


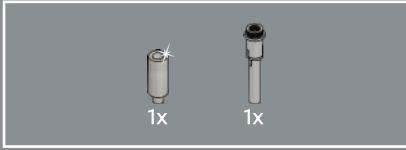
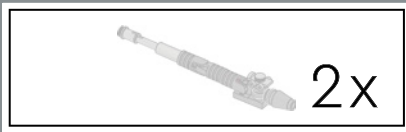
5



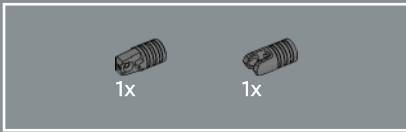
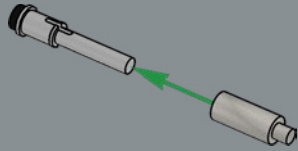
6



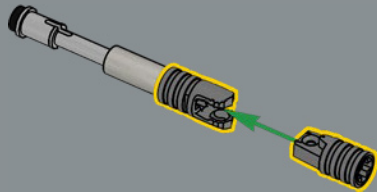




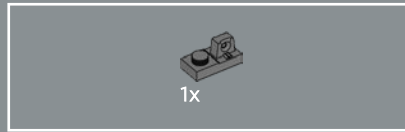
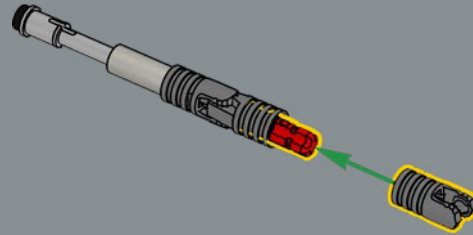
337



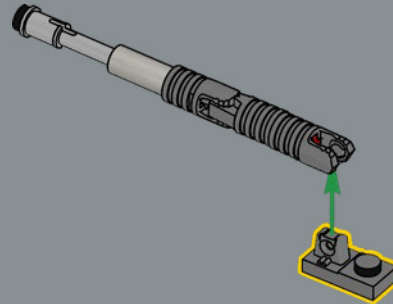
338



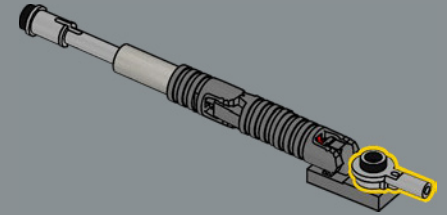
339



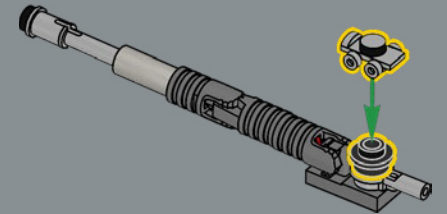
340



341

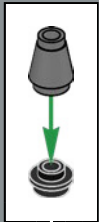


342

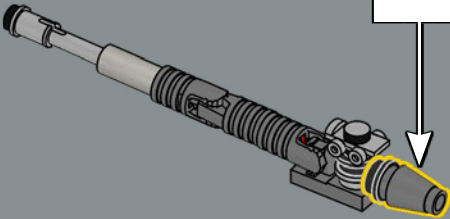




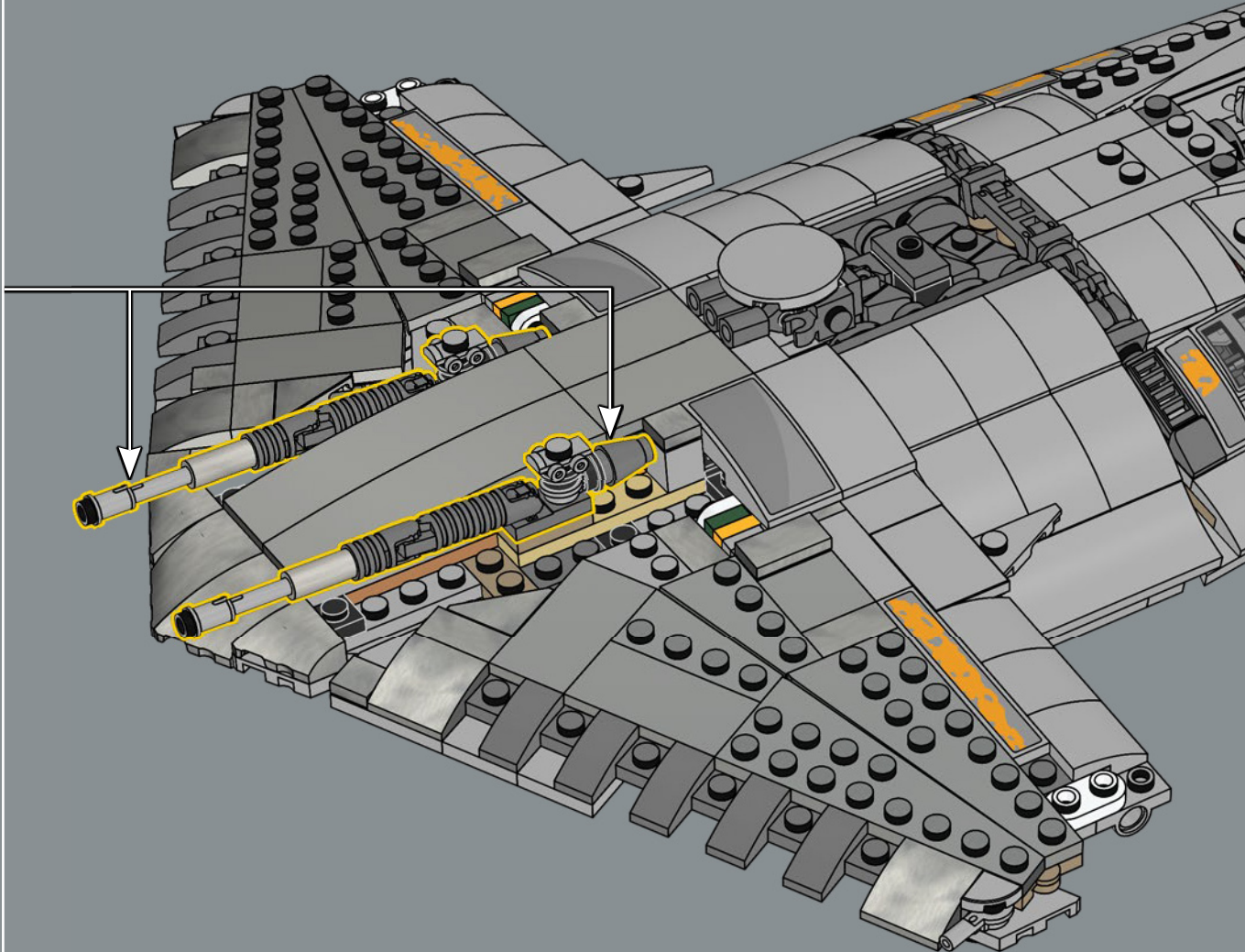
343

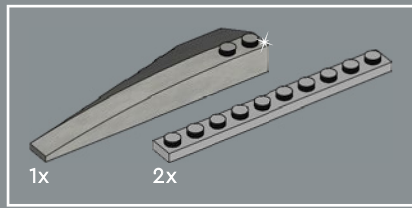


2x

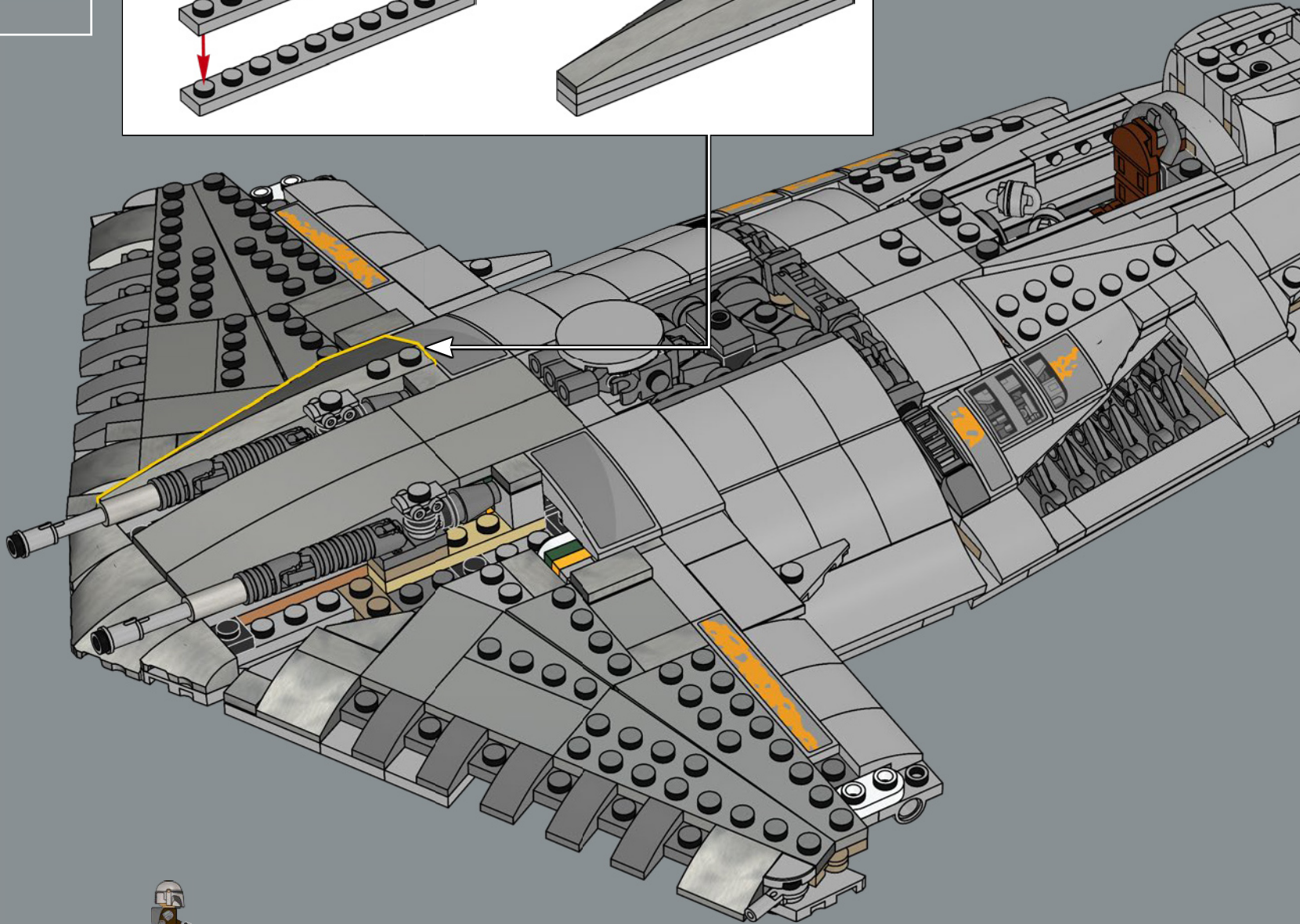
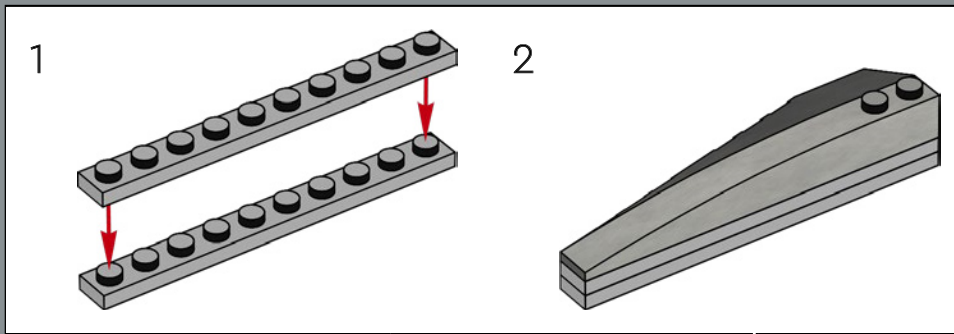


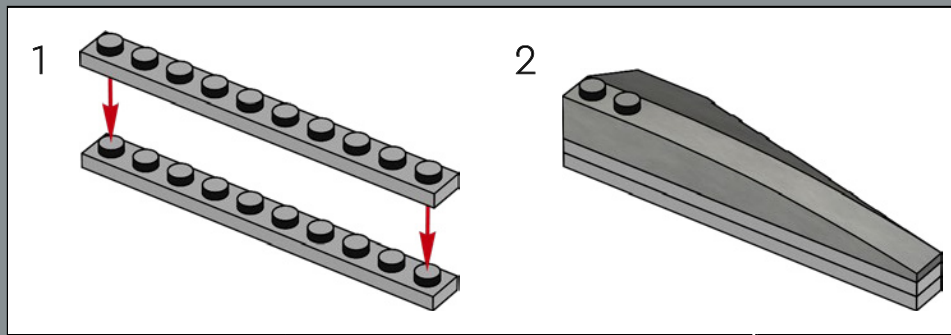
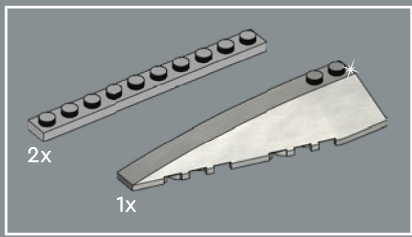
344



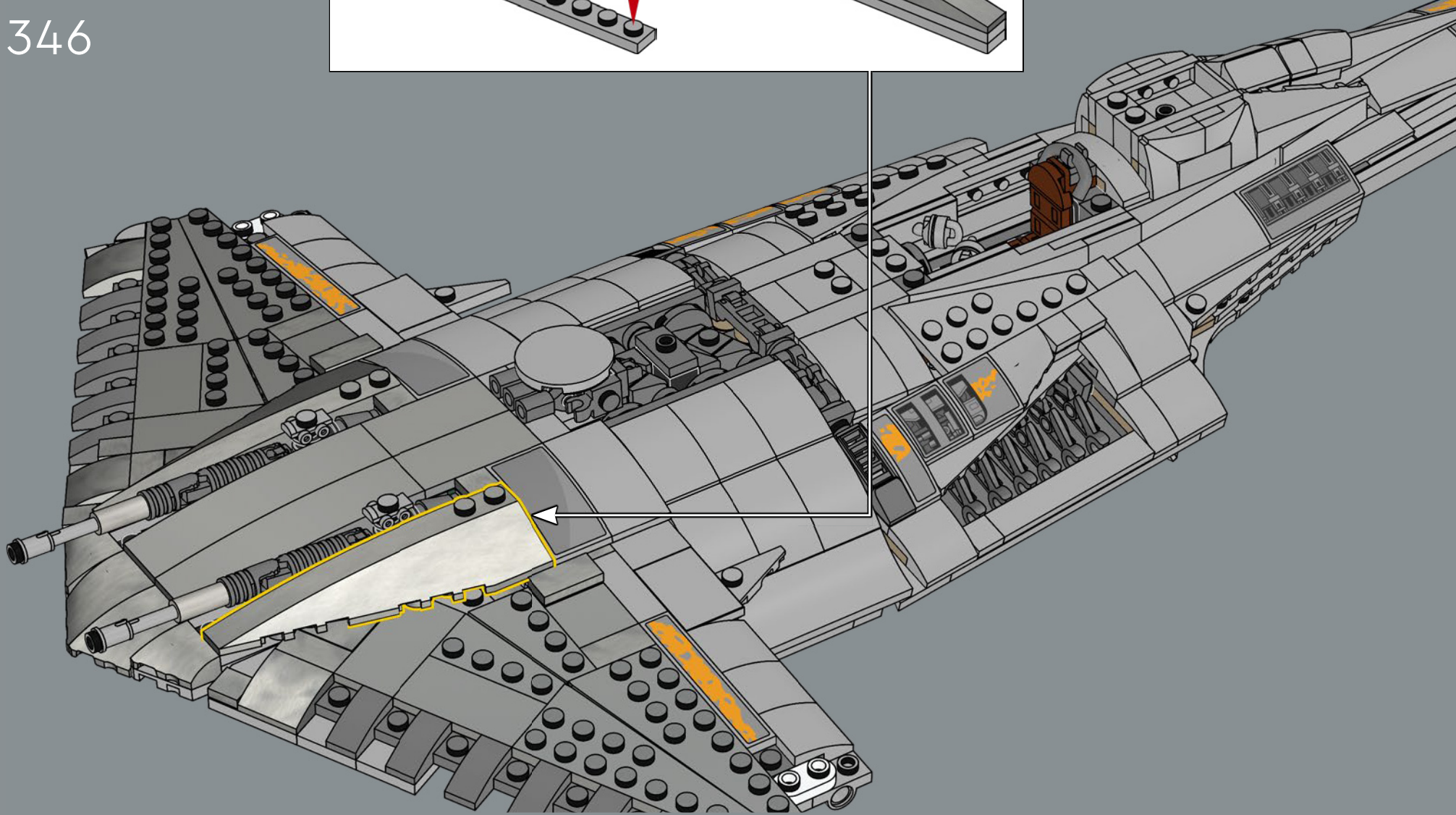


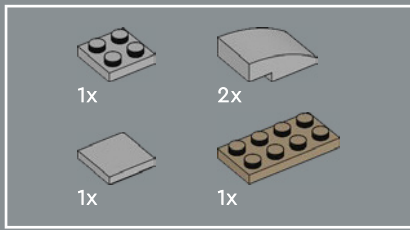
345



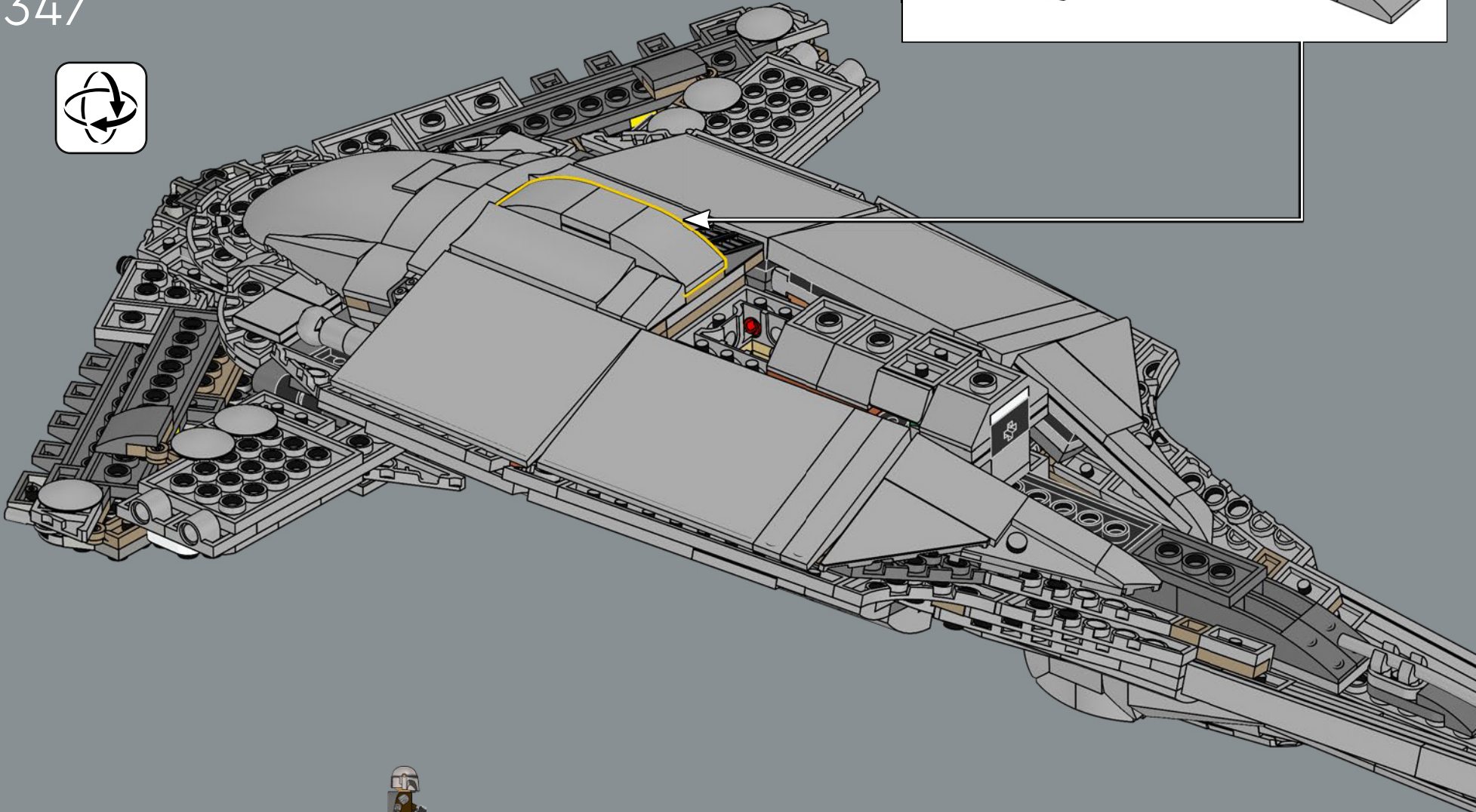
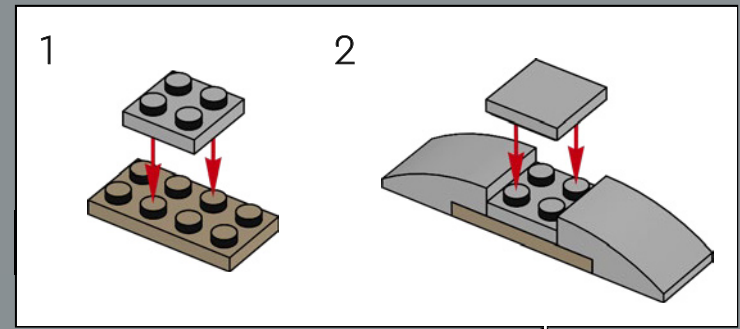


346

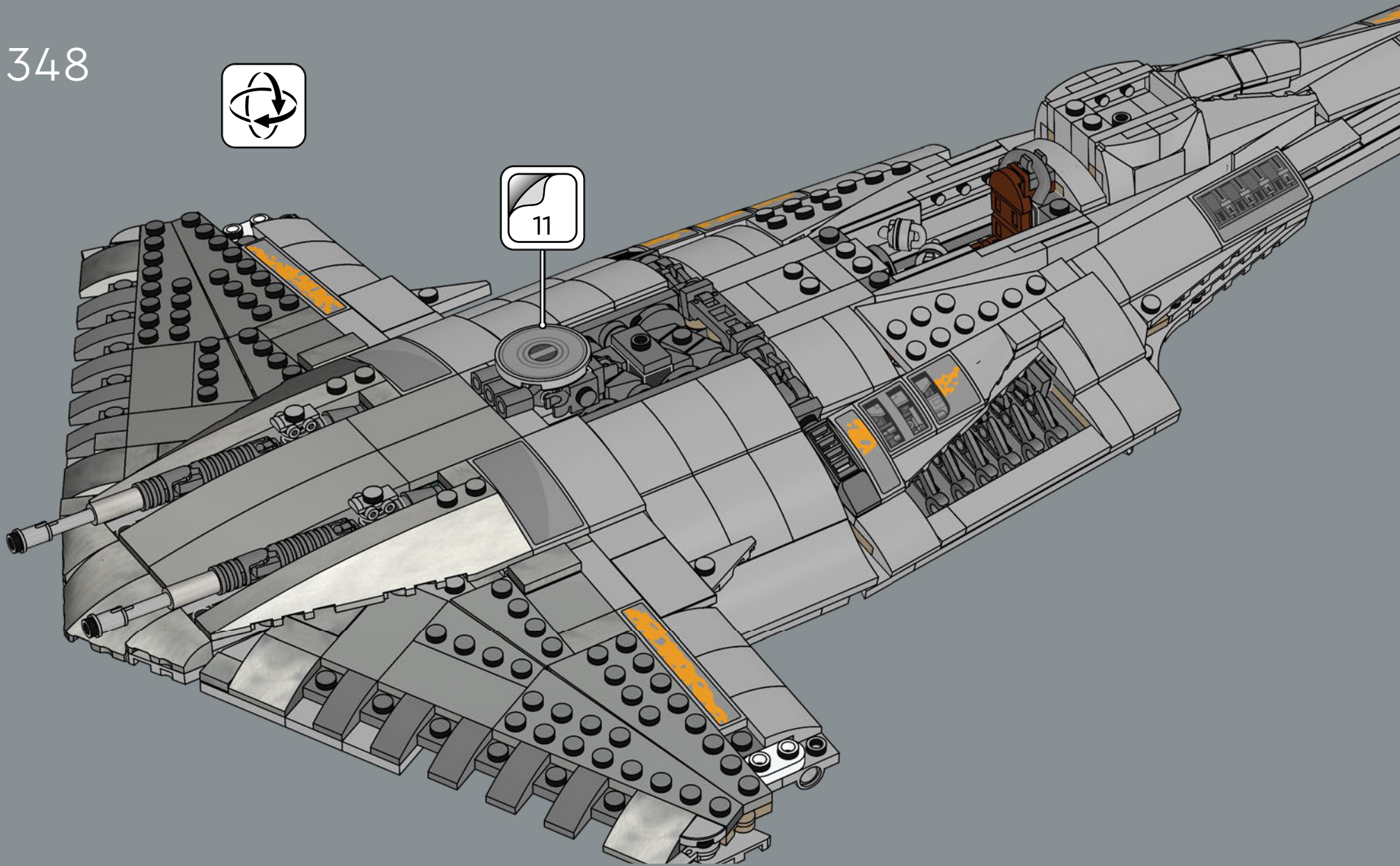


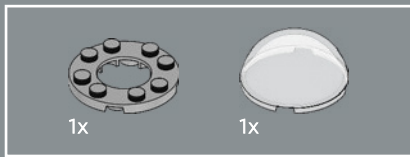


347

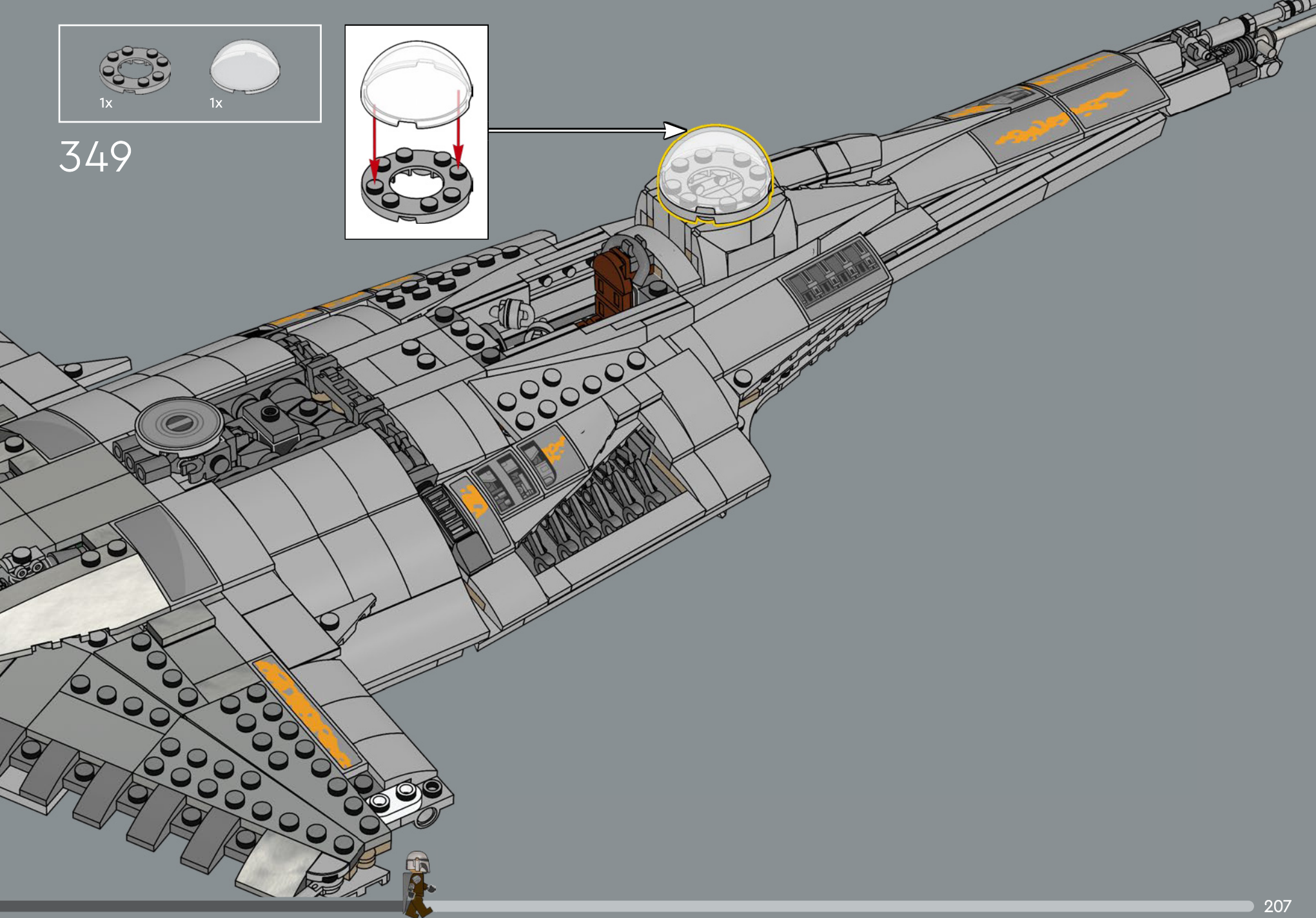
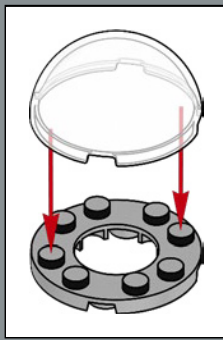


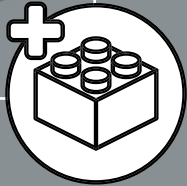
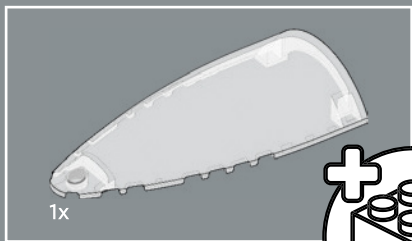
348



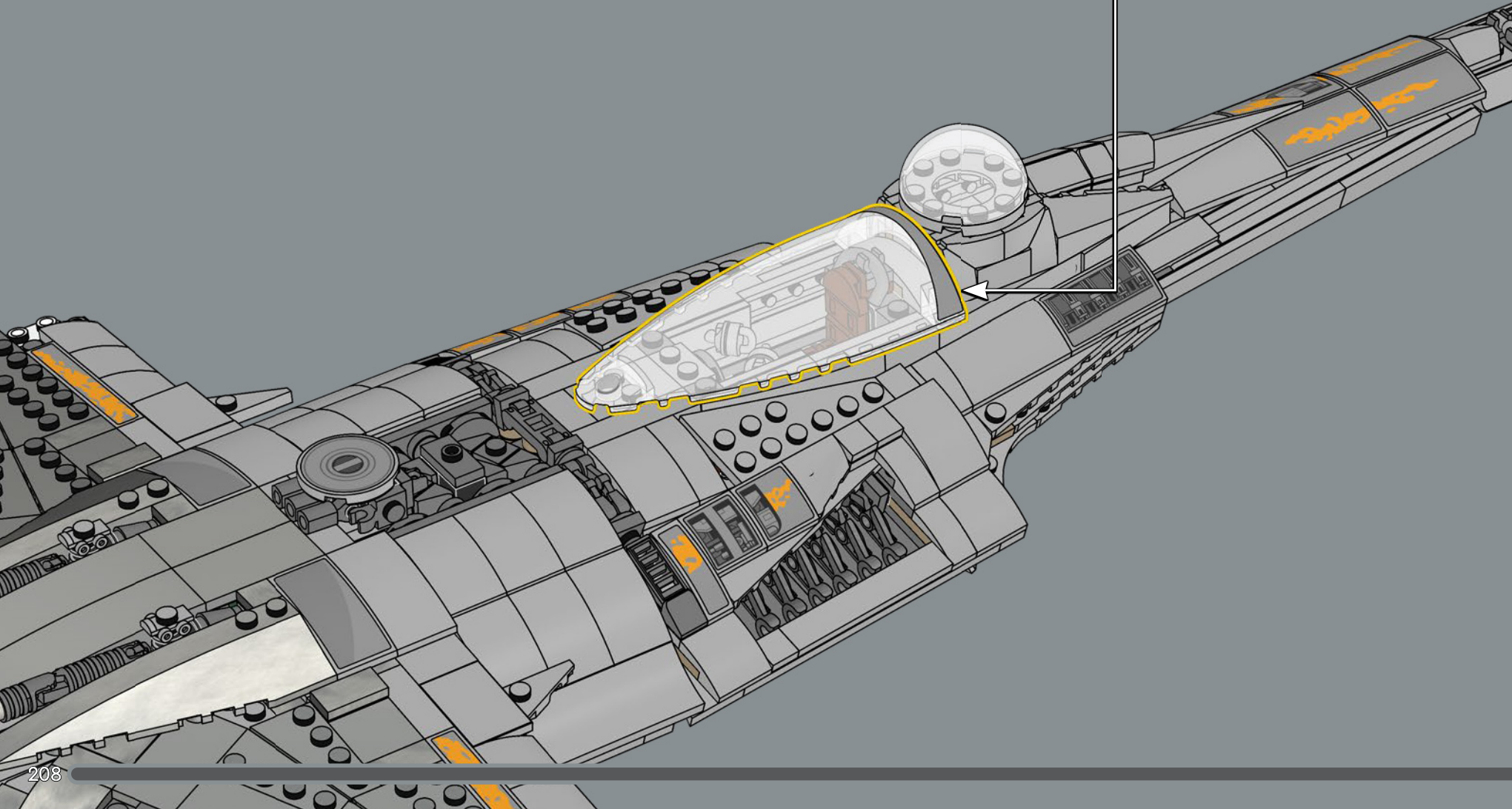
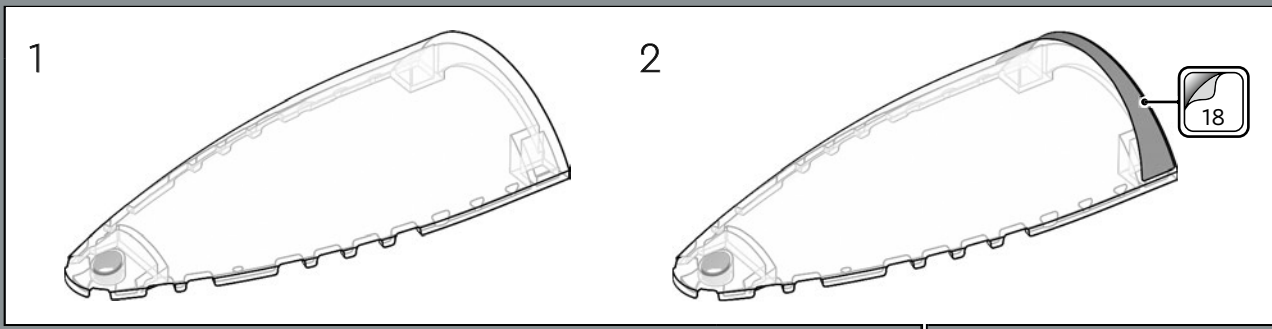


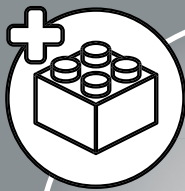
349



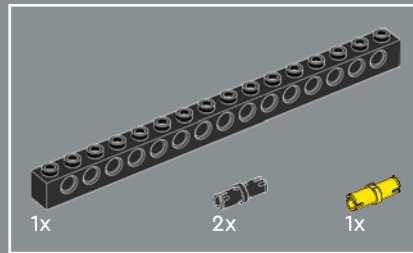
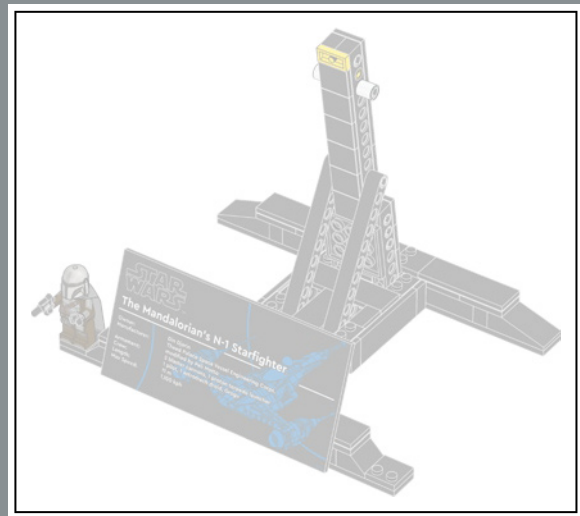


350

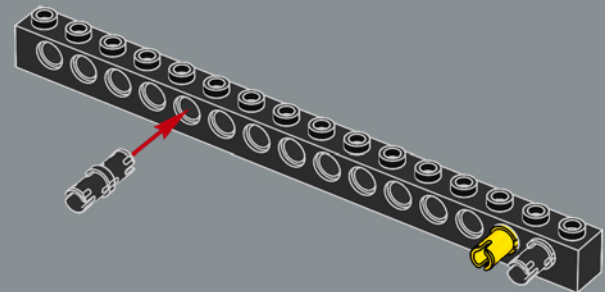
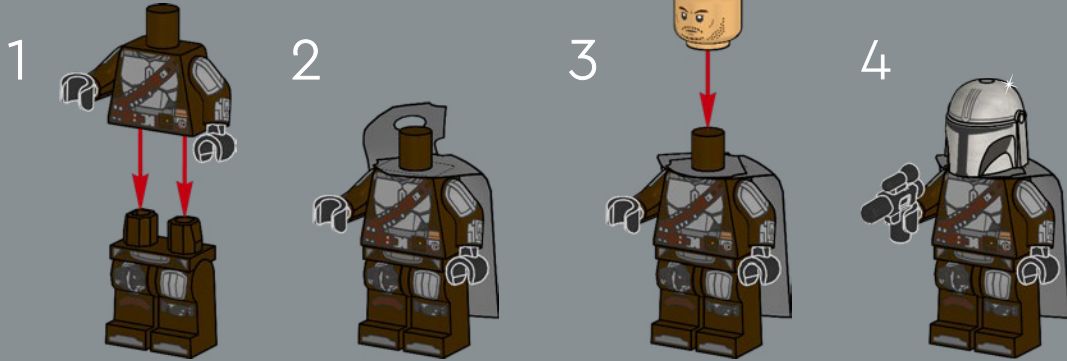


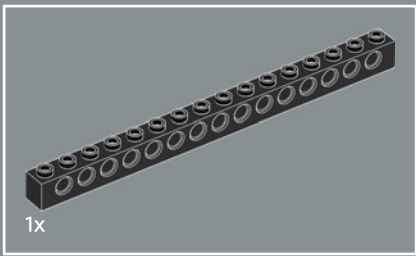


1x

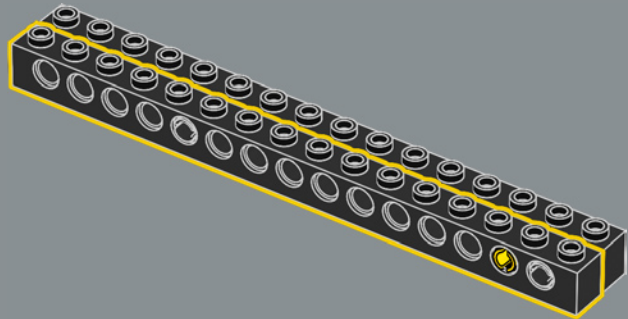


351

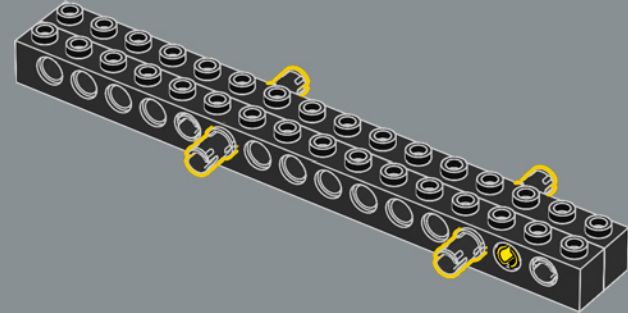




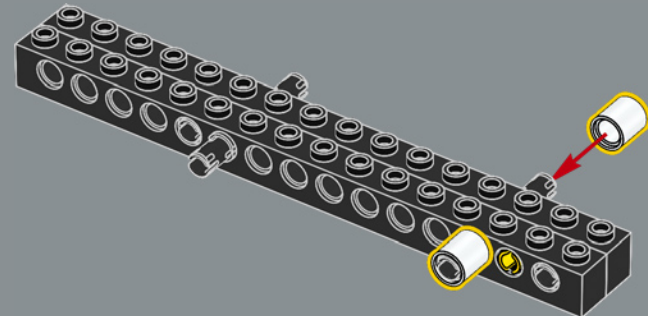
352

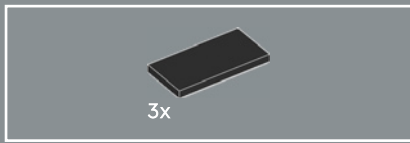


353

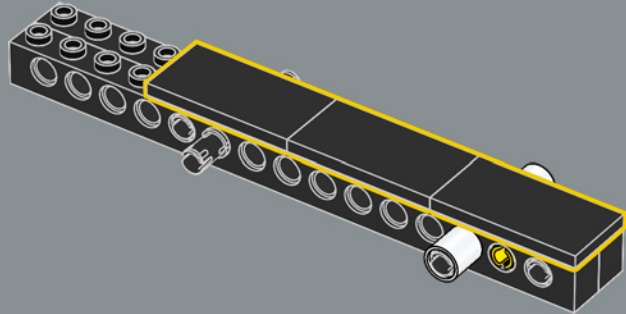


354

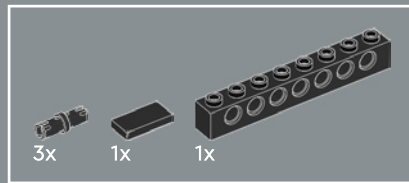
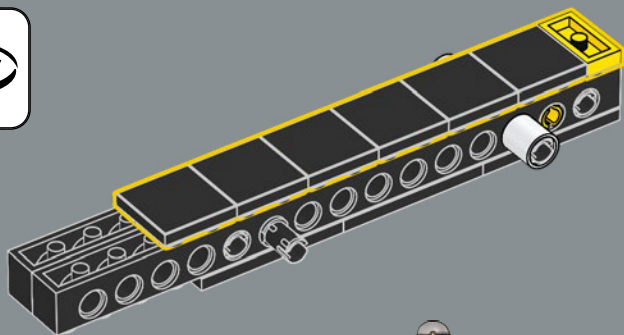




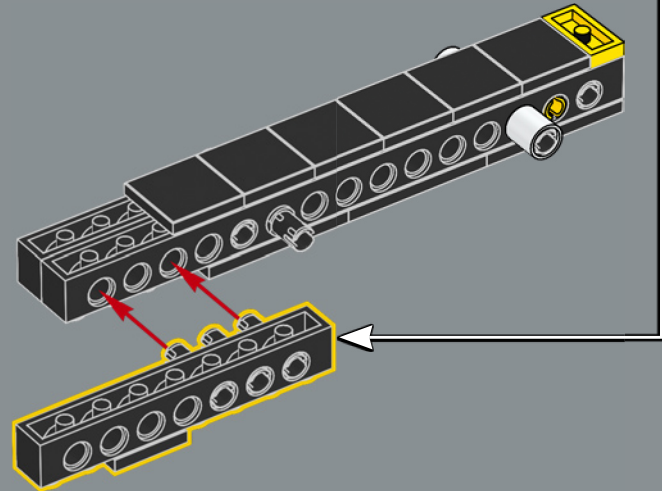
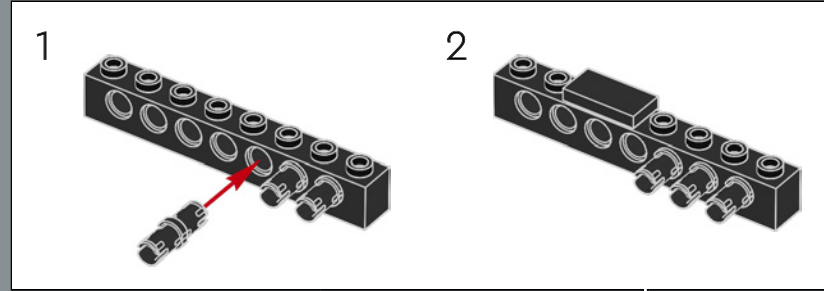
355

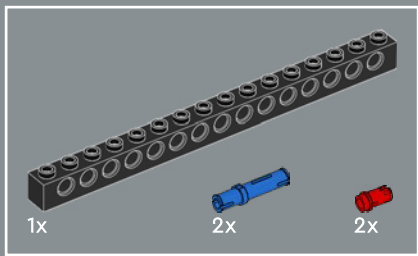


356

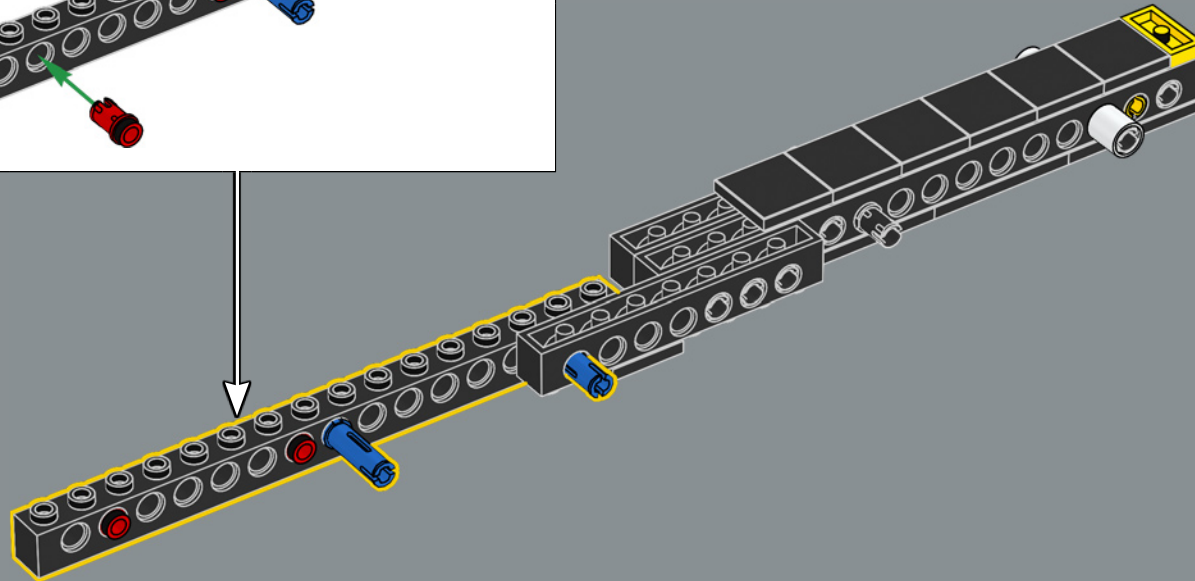
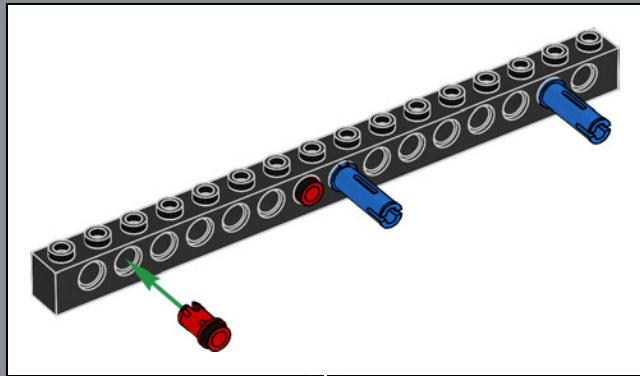


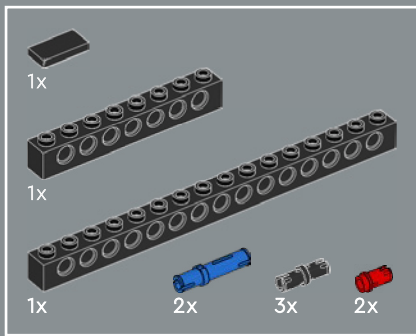
357



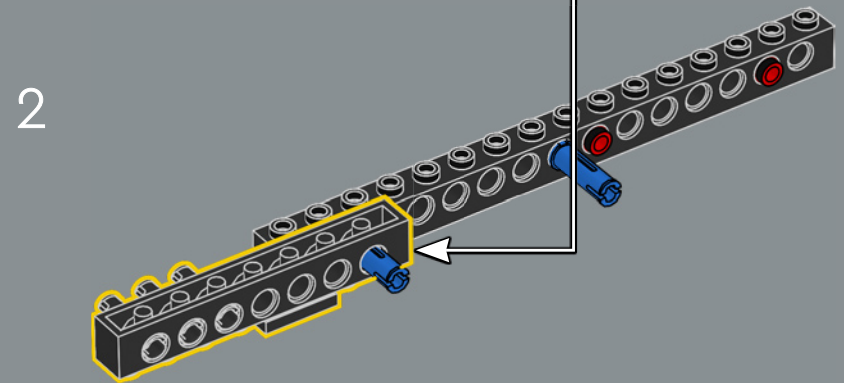
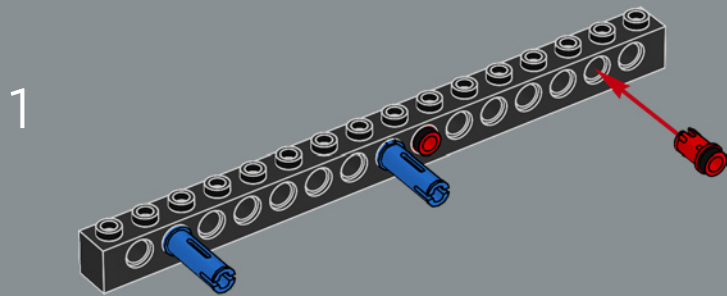
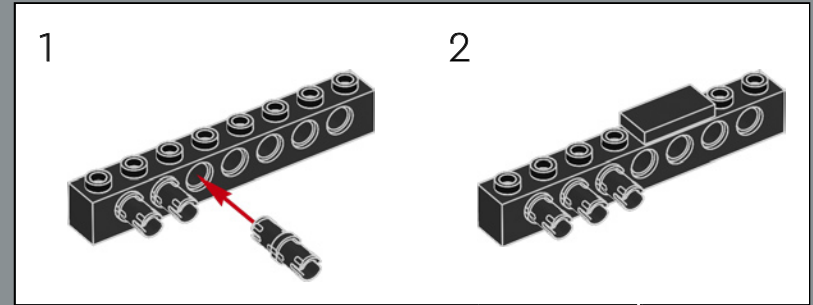


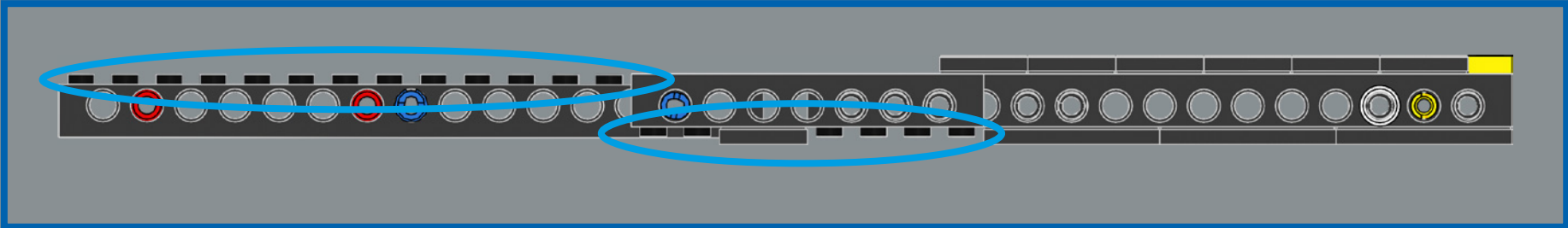
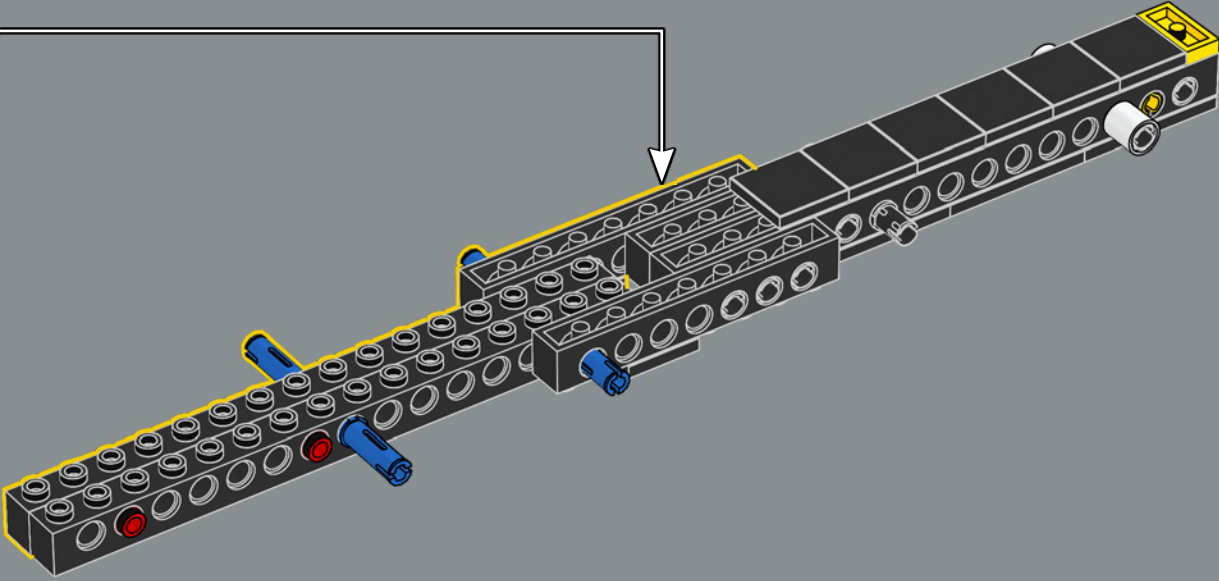
358

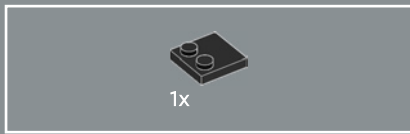




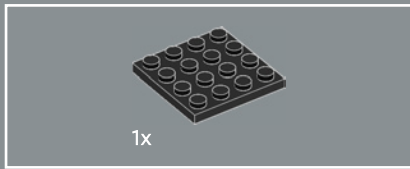
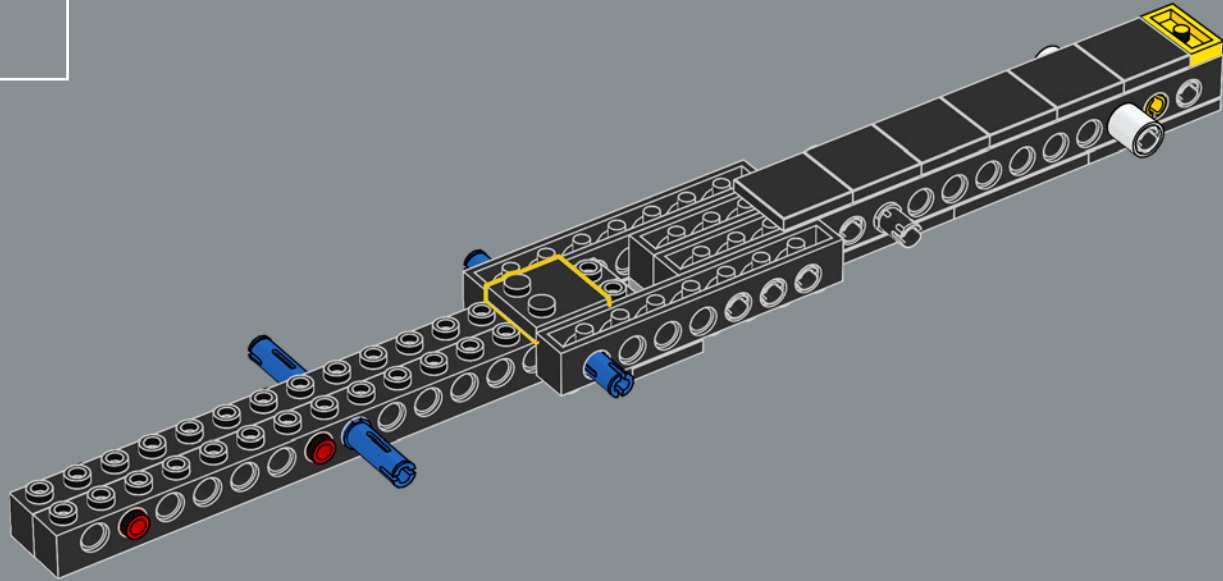
359



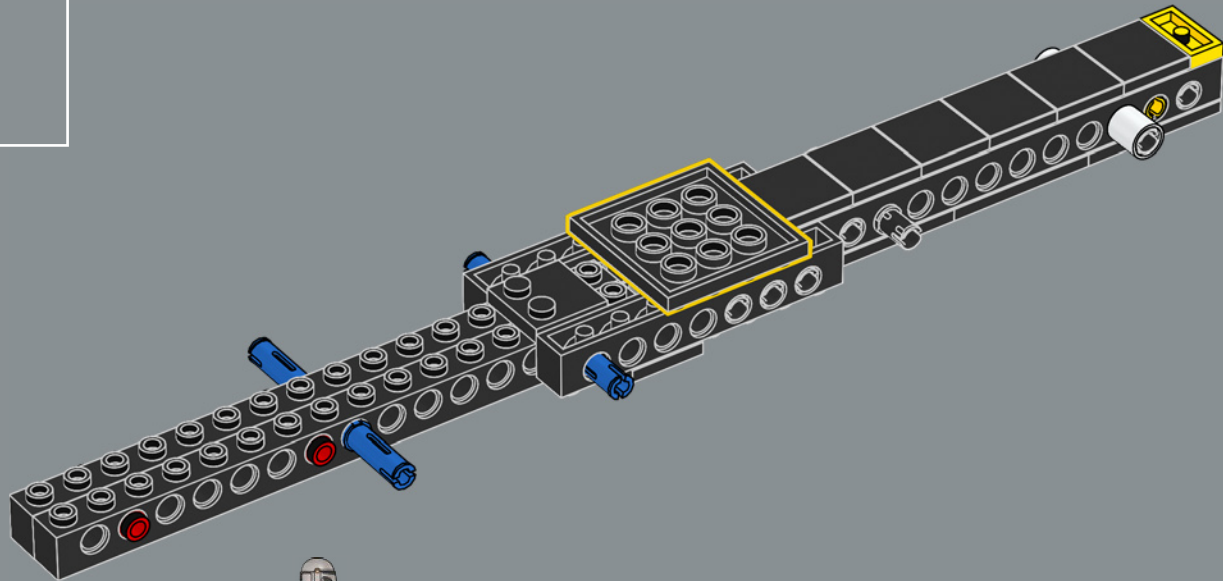




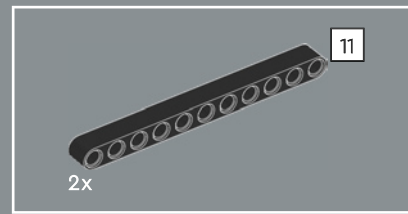
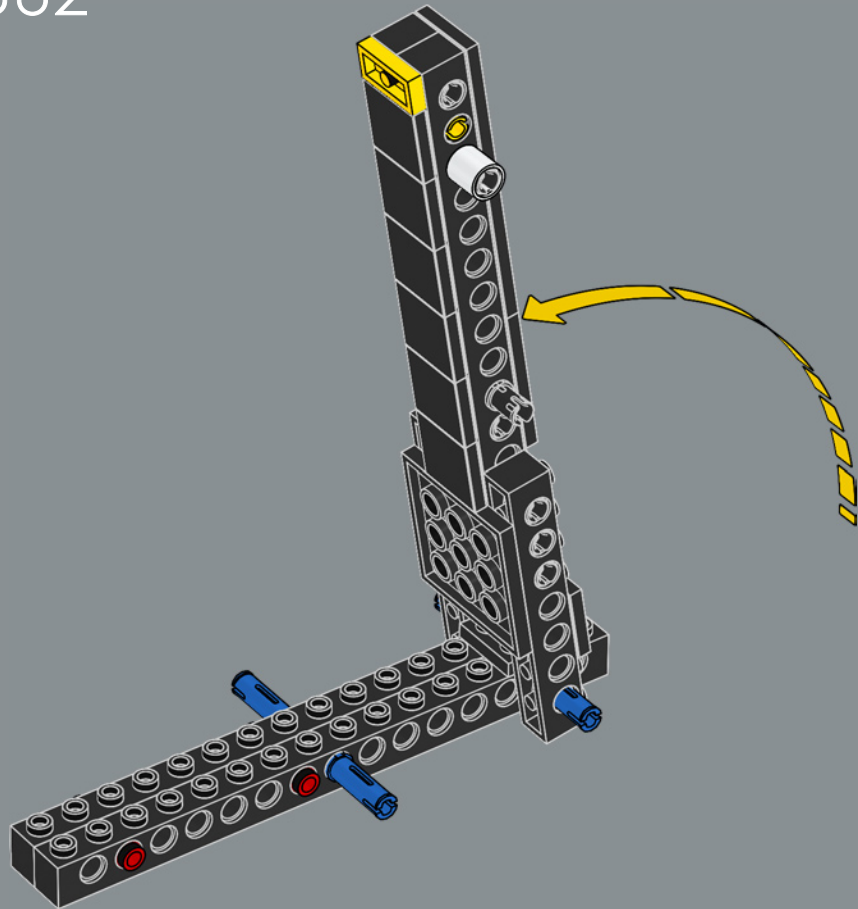
360



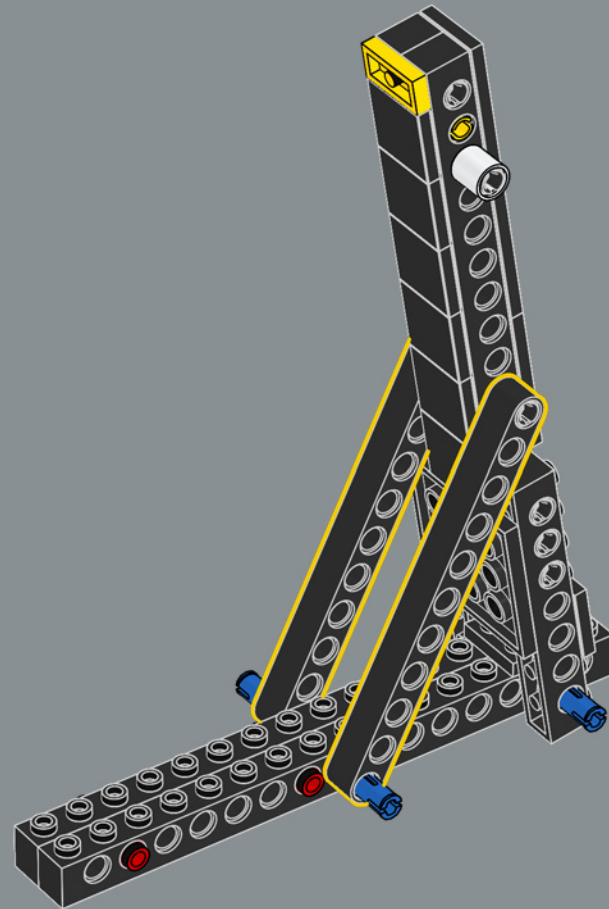
361

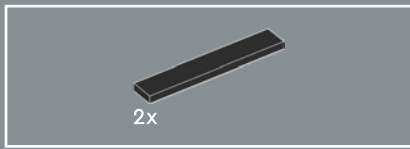


362

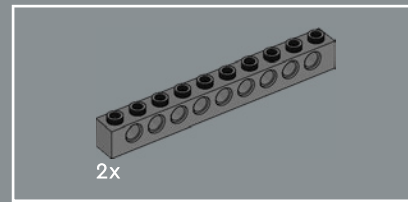
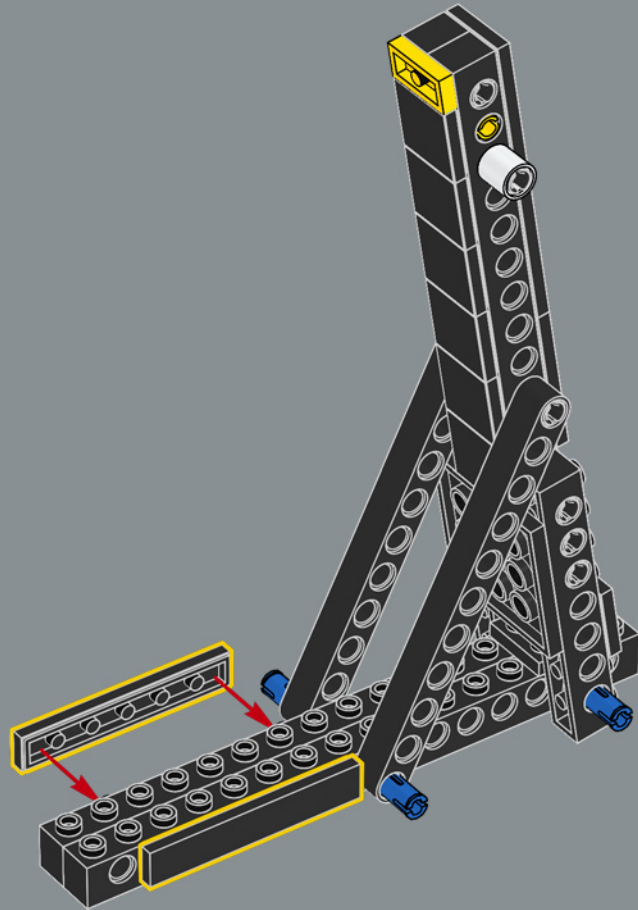


363

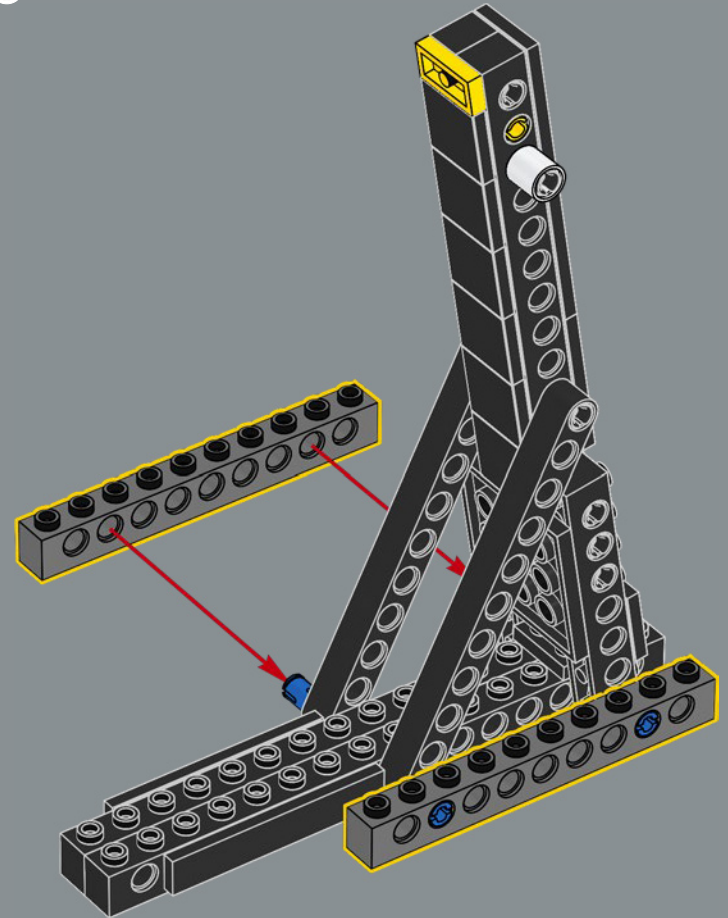


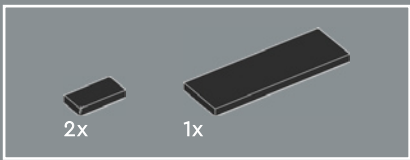


364

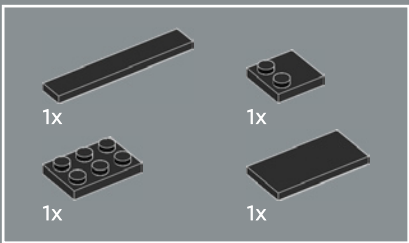
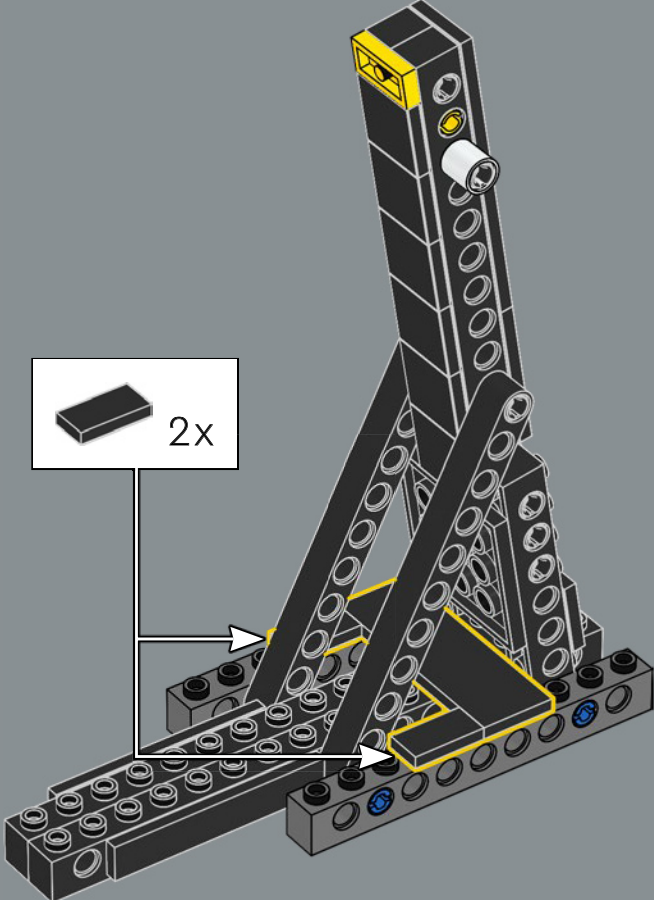


365

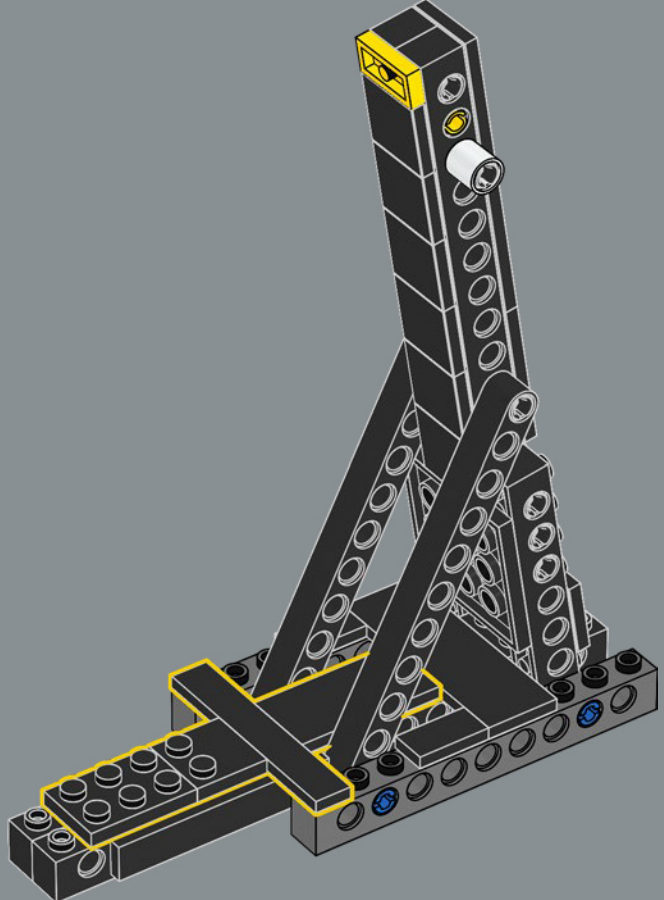


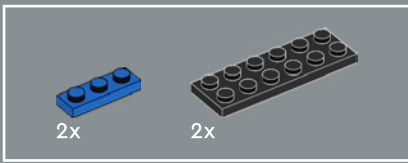


366

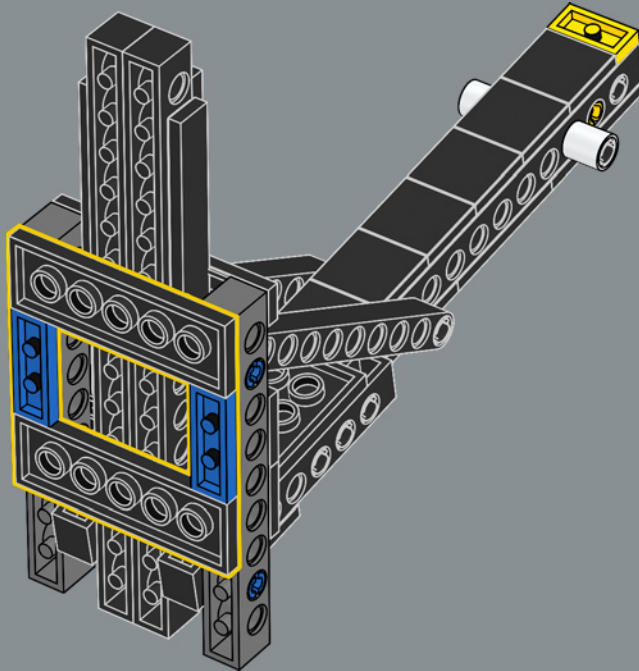


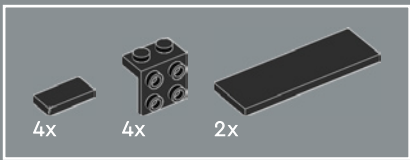
367



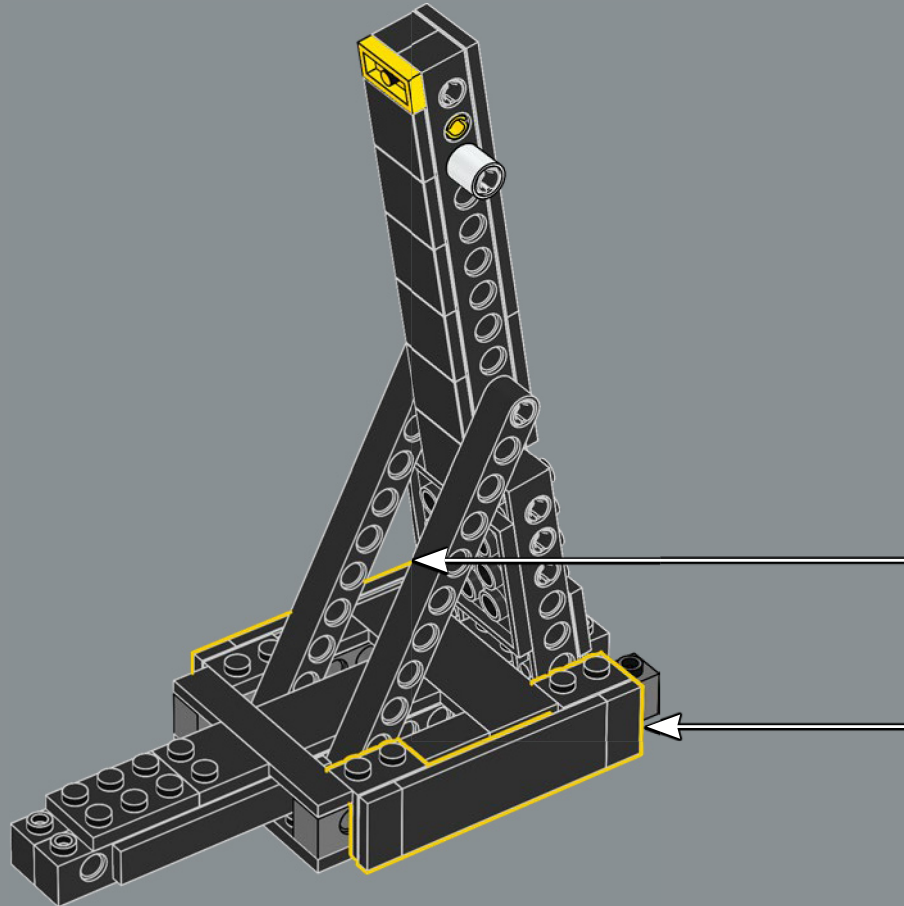
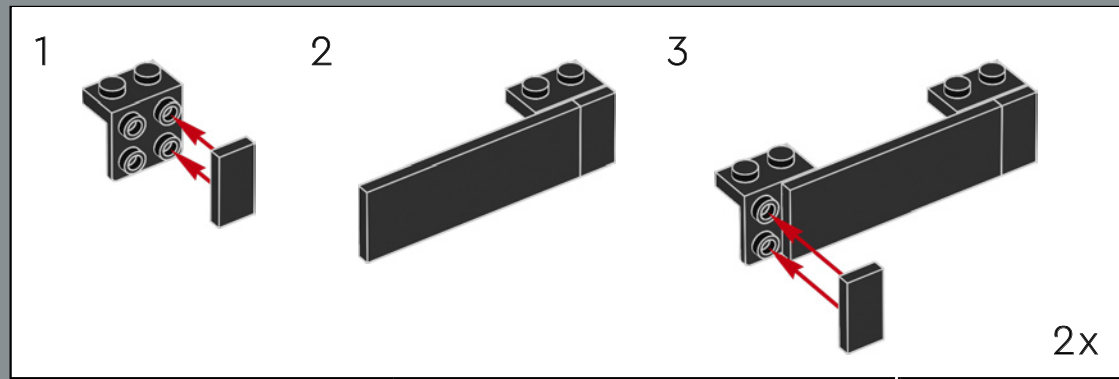


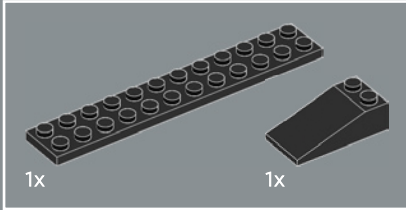
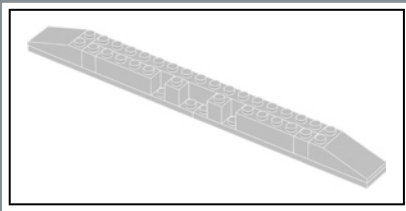
368



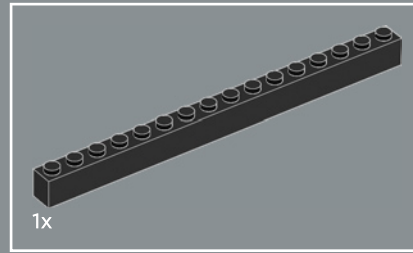
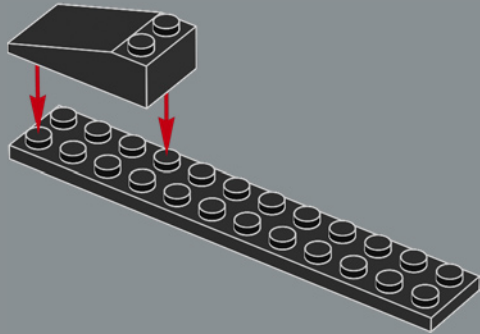


369

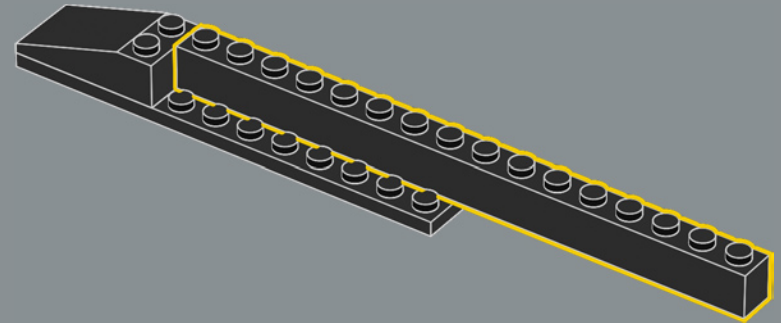


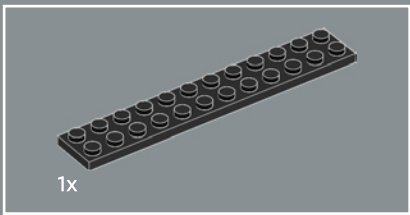


370

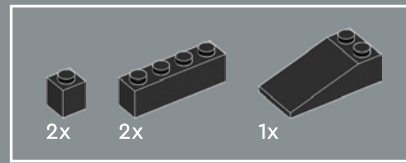
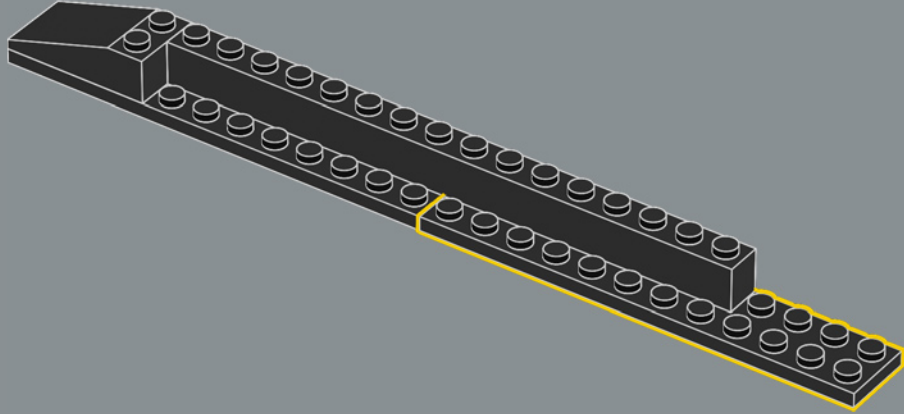


371

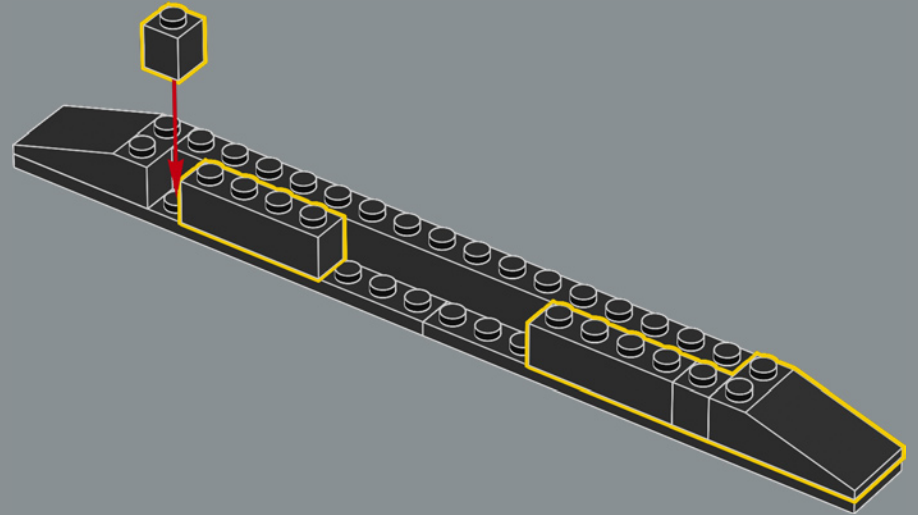




372



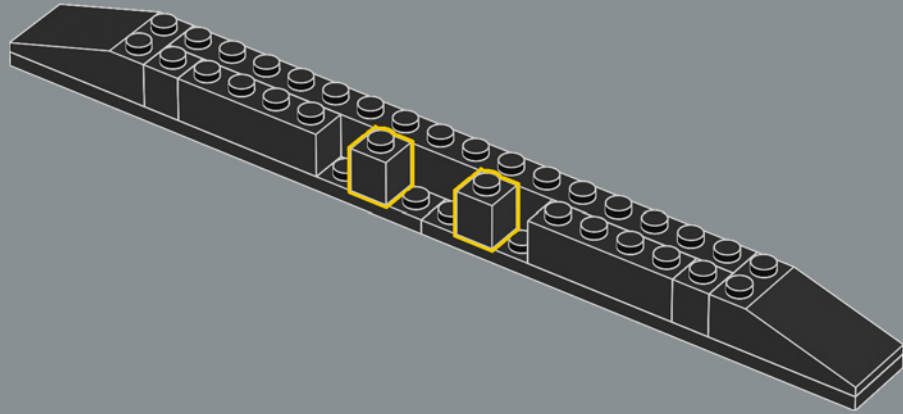
373



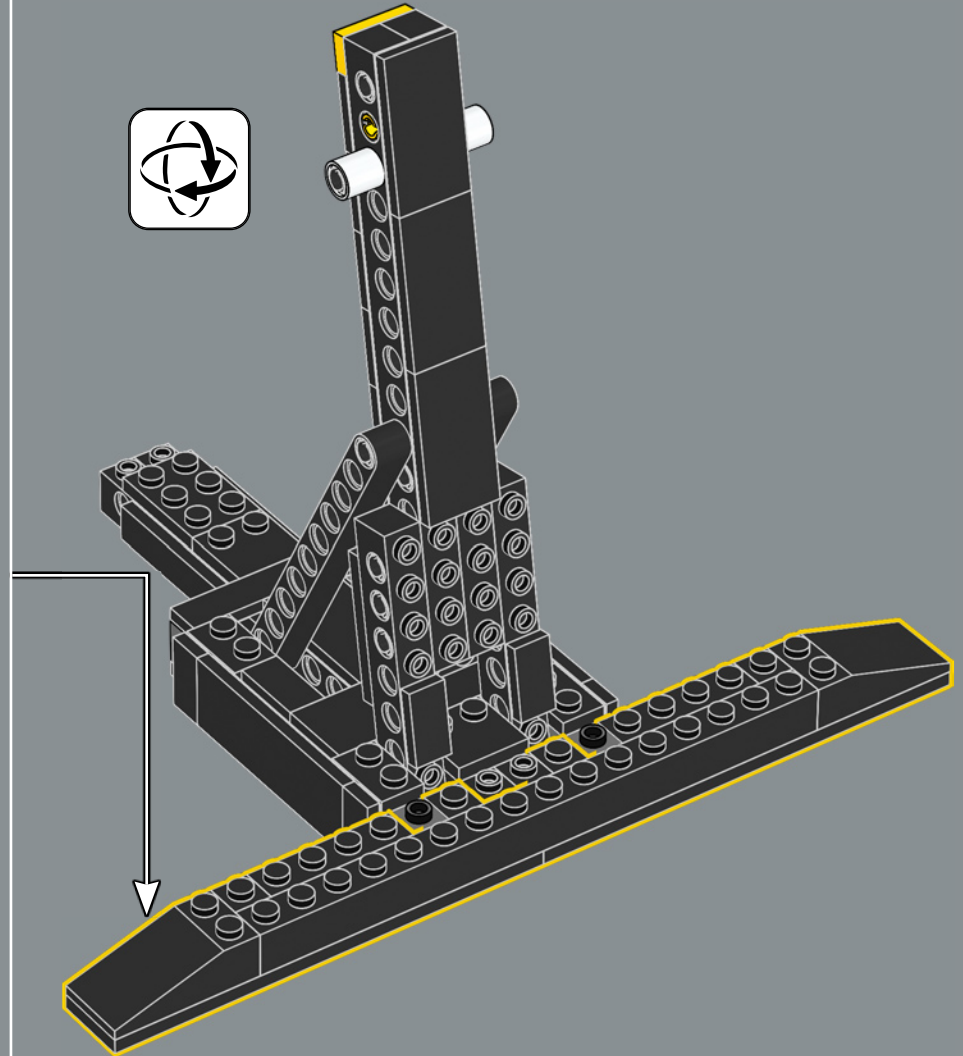


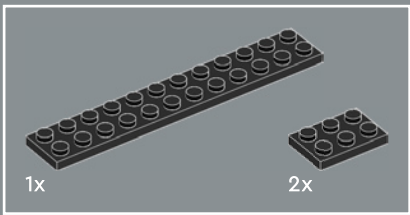
2x

374

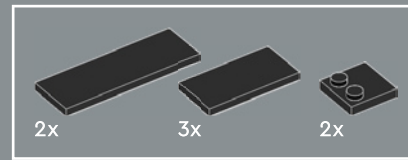
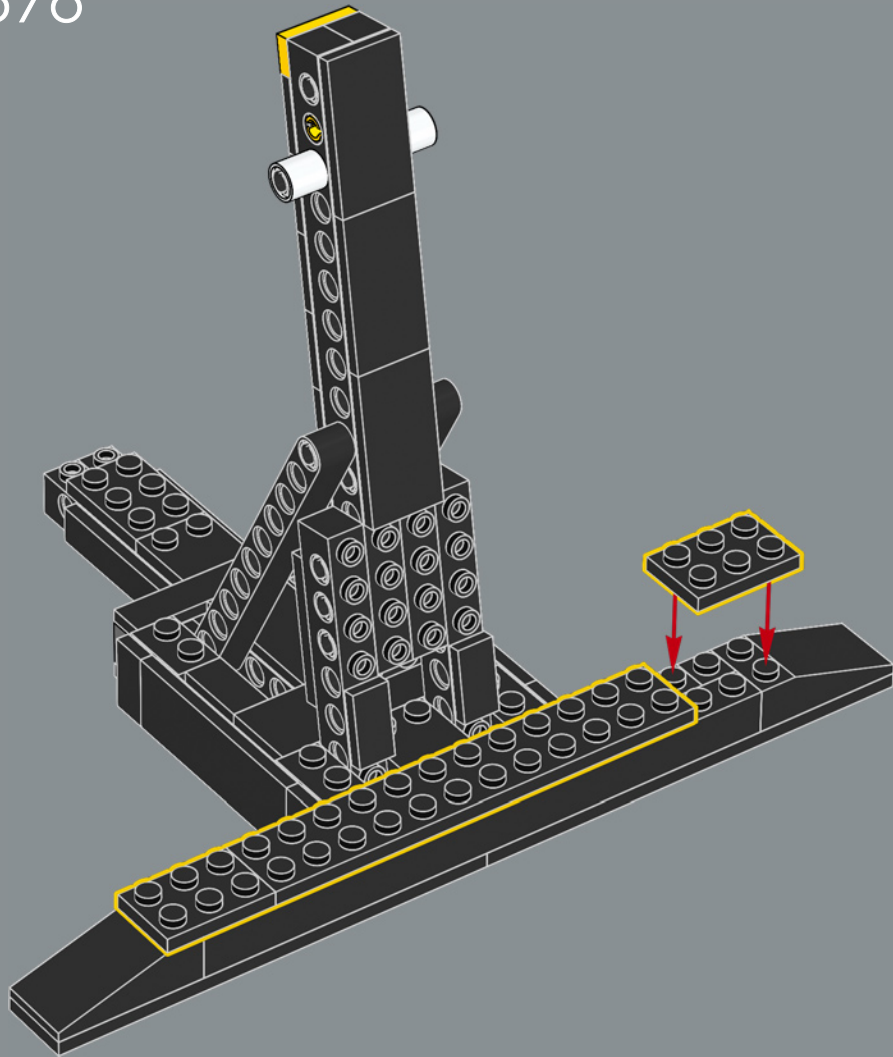


375

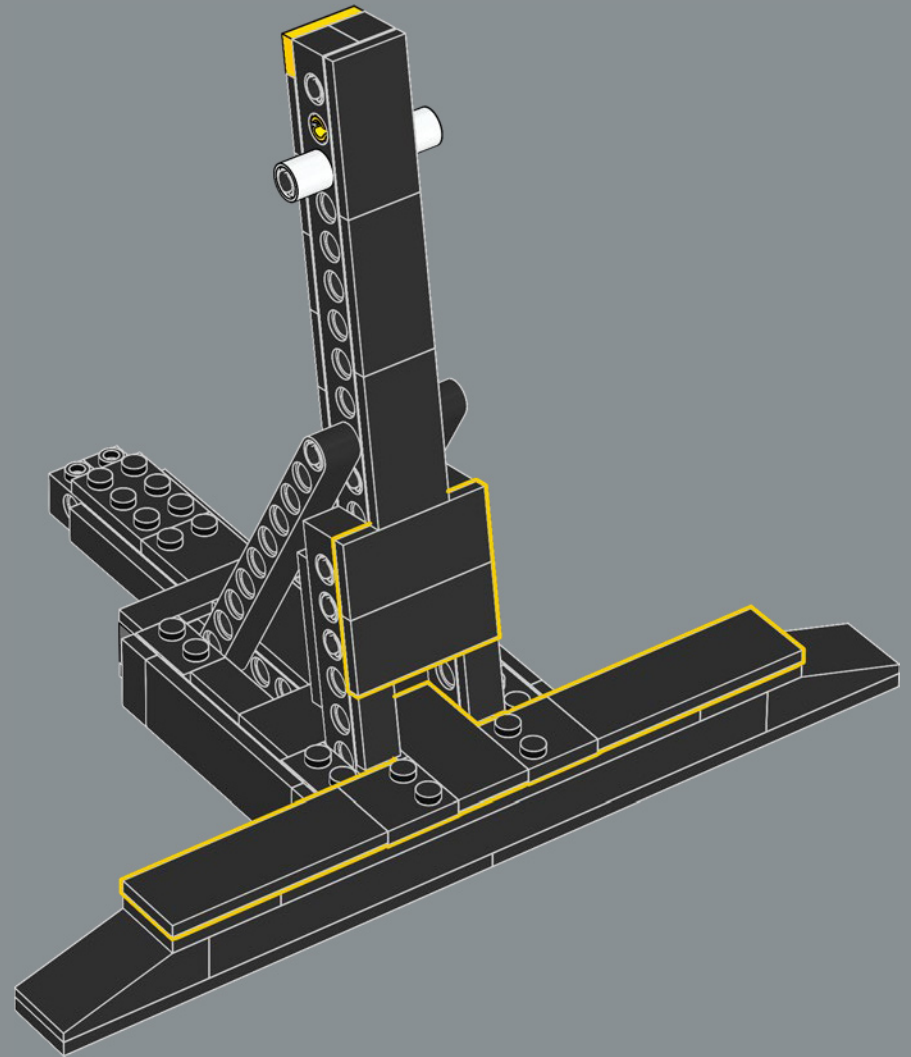


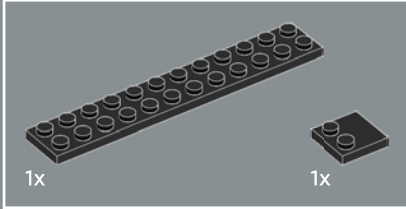
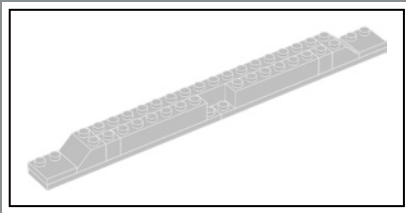


376

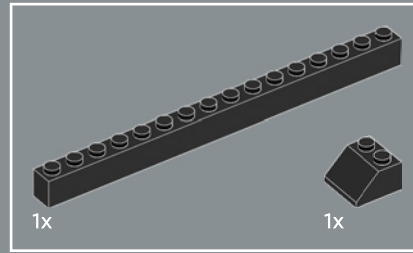
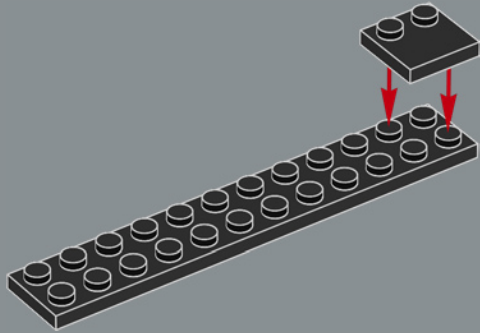


377

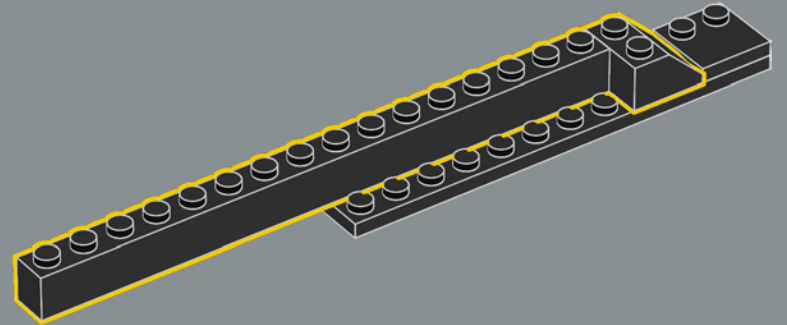


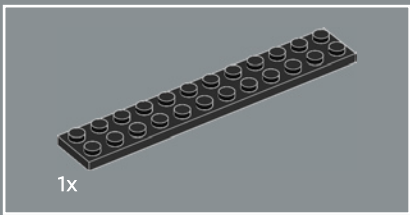


378

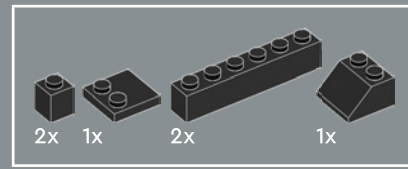
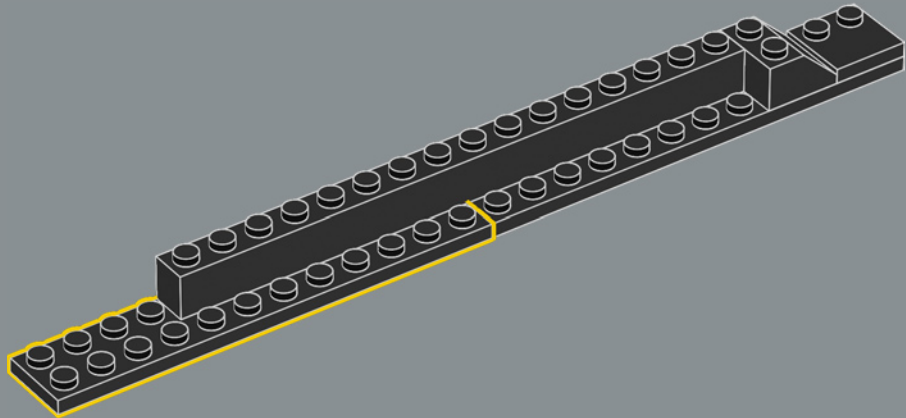


379

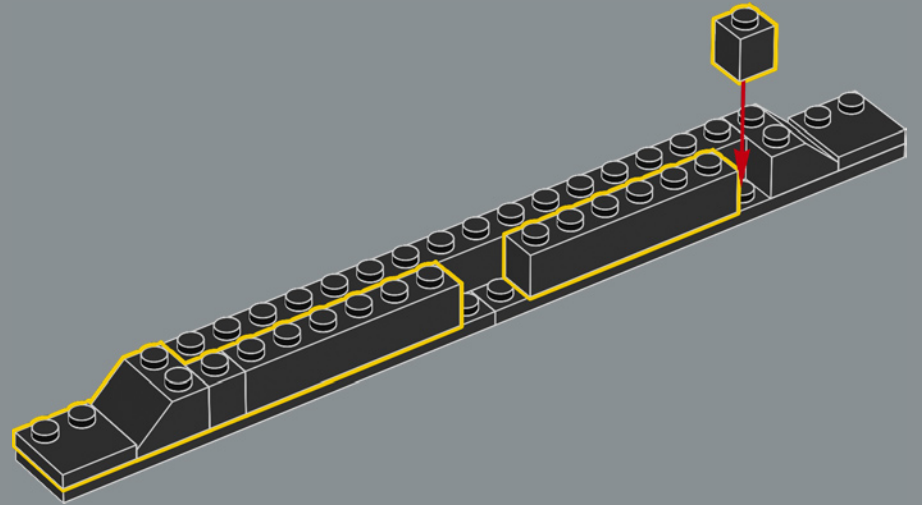




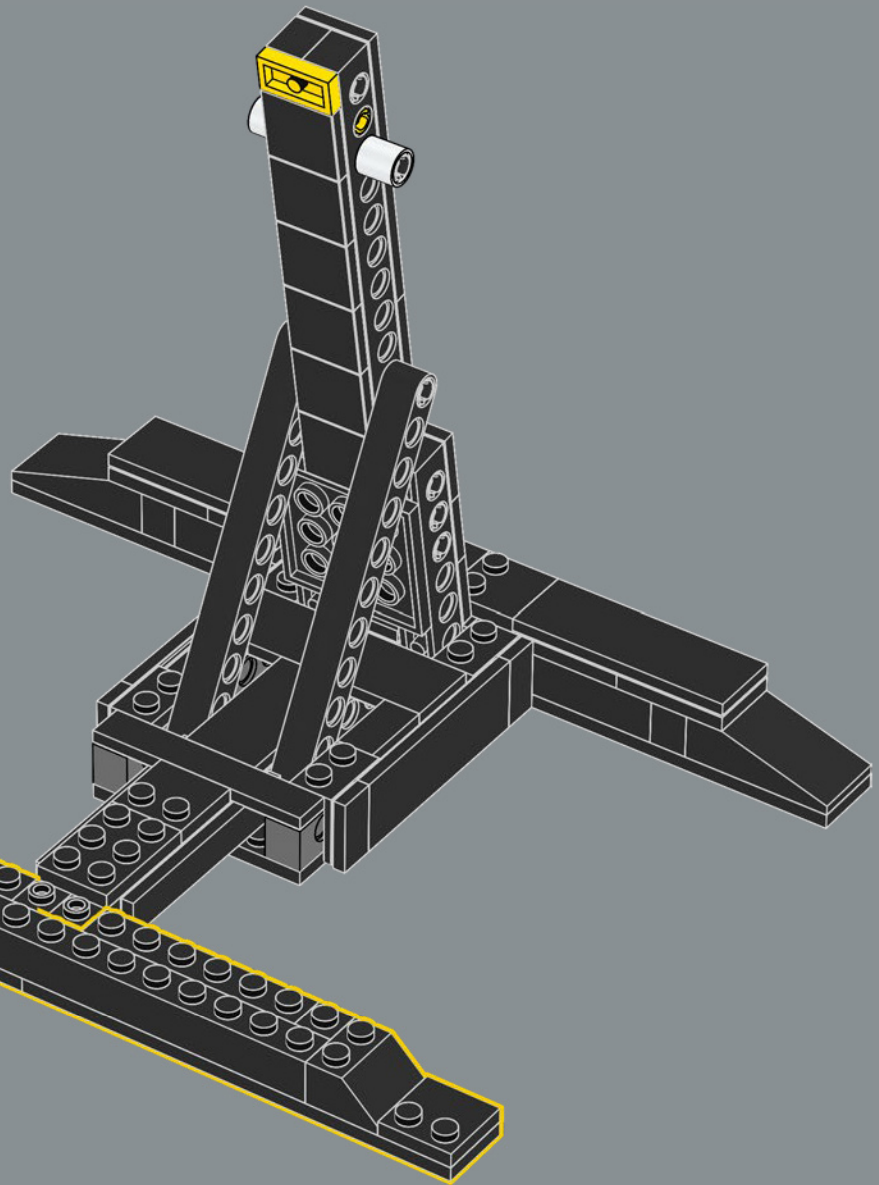
380

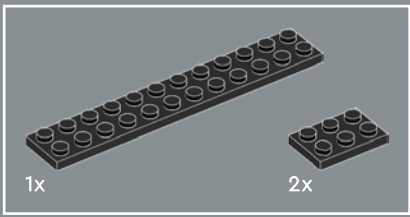


381

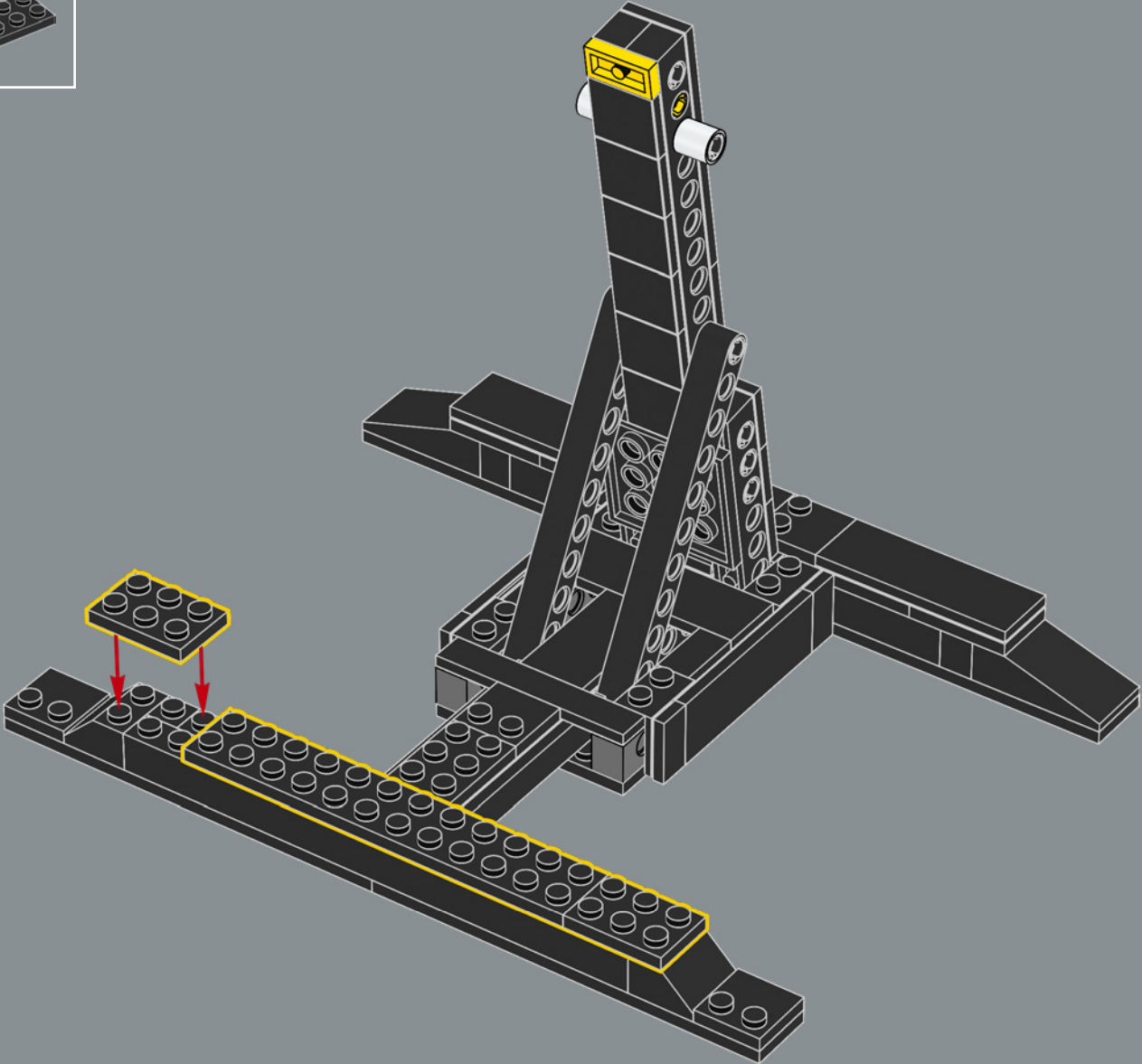


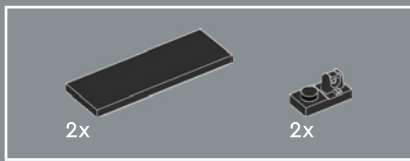
382



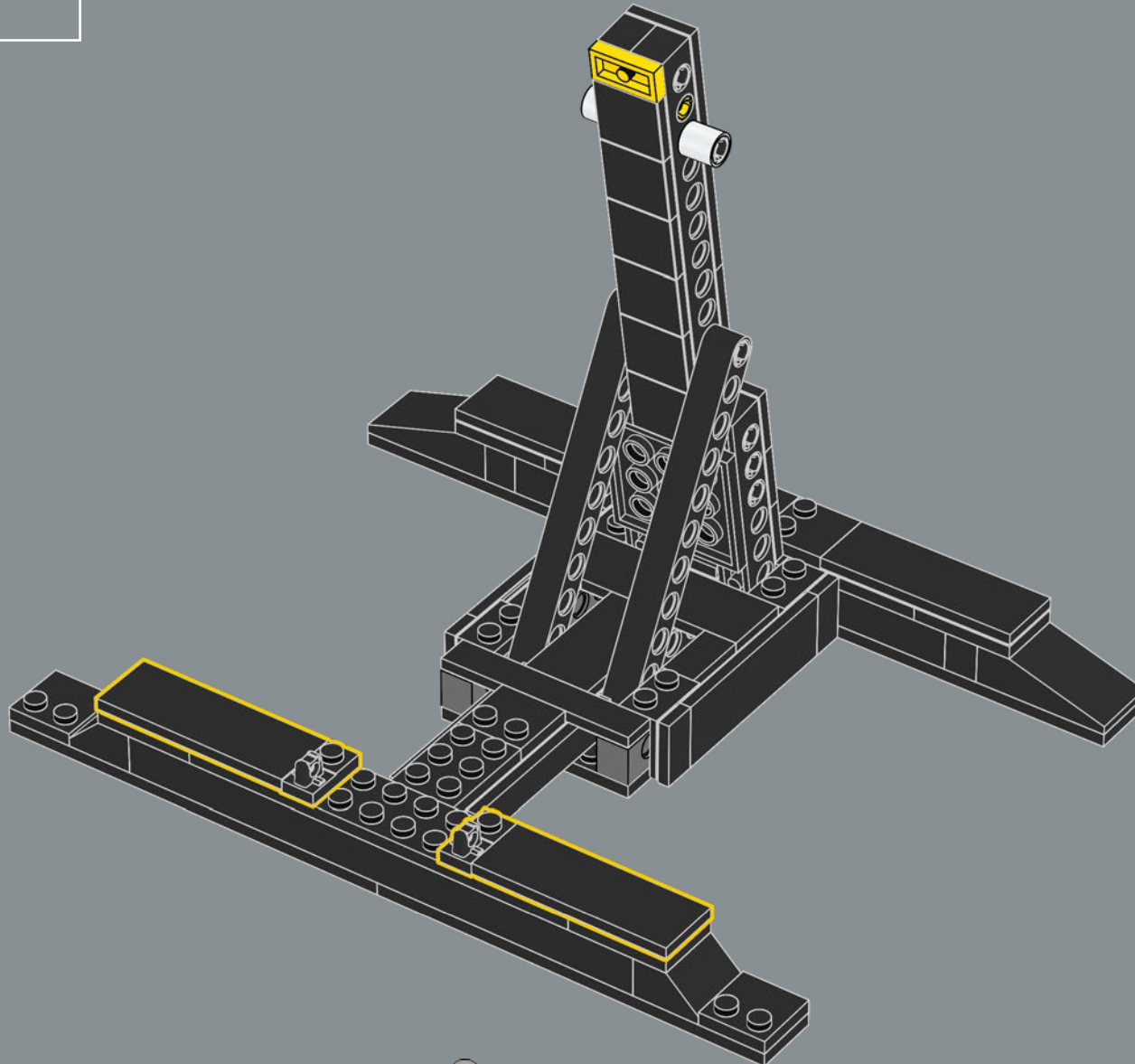


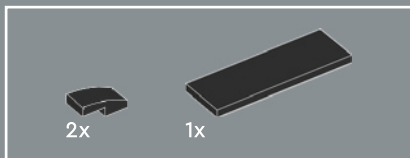
383



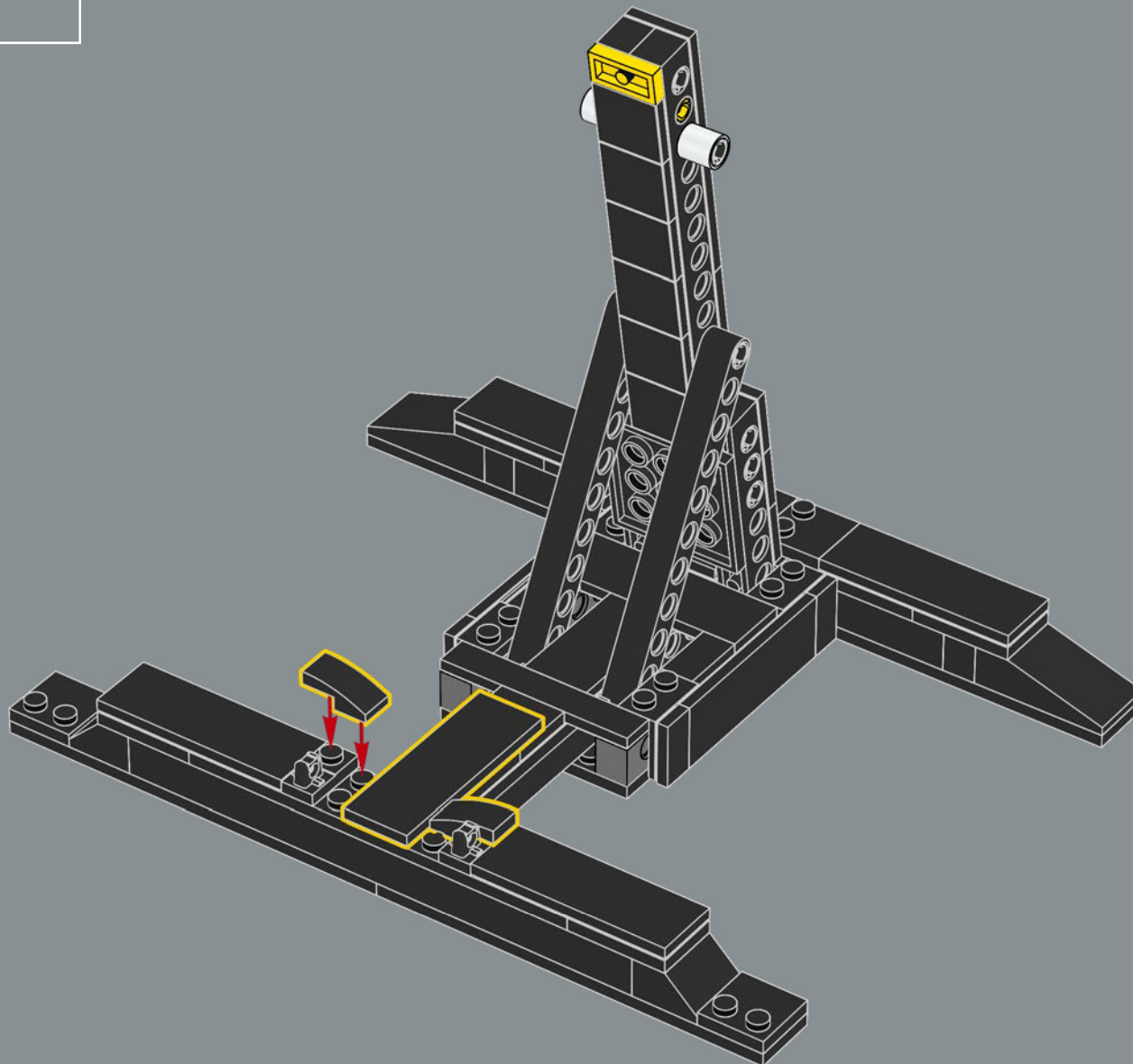


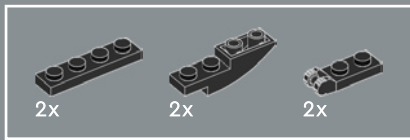
384



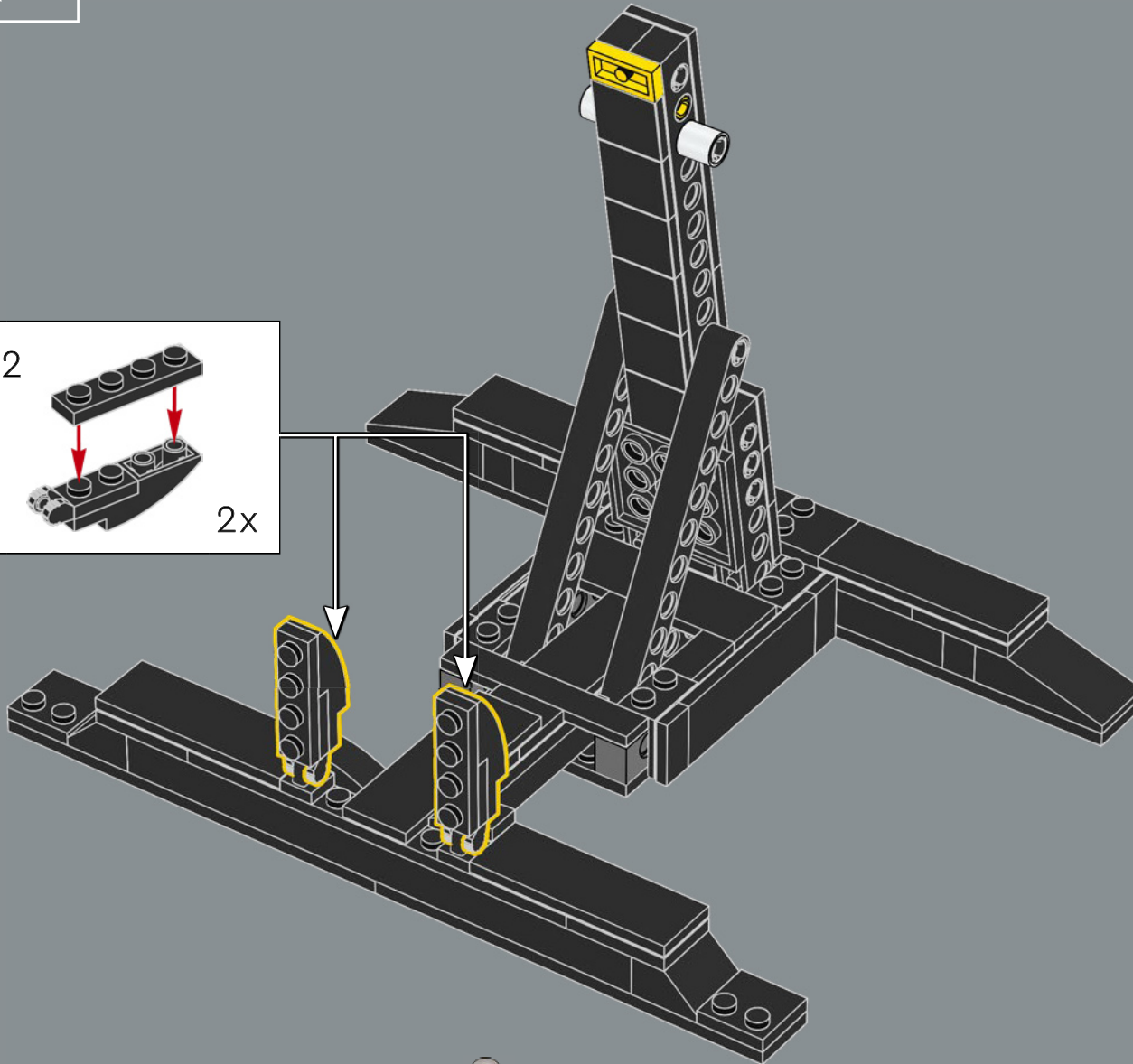
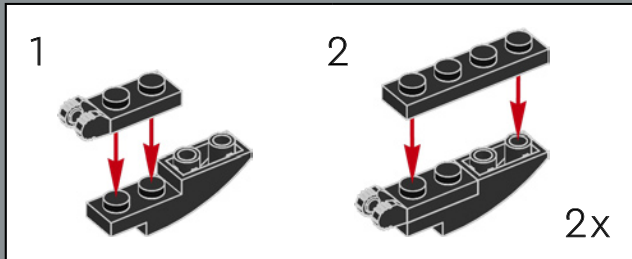


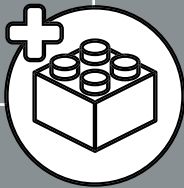
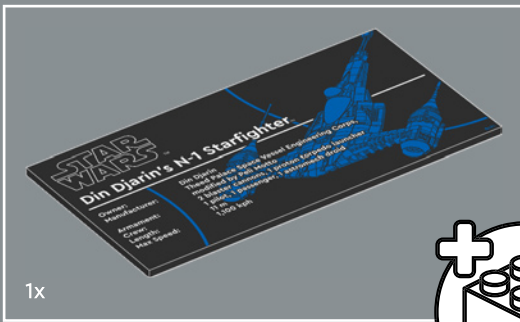
385



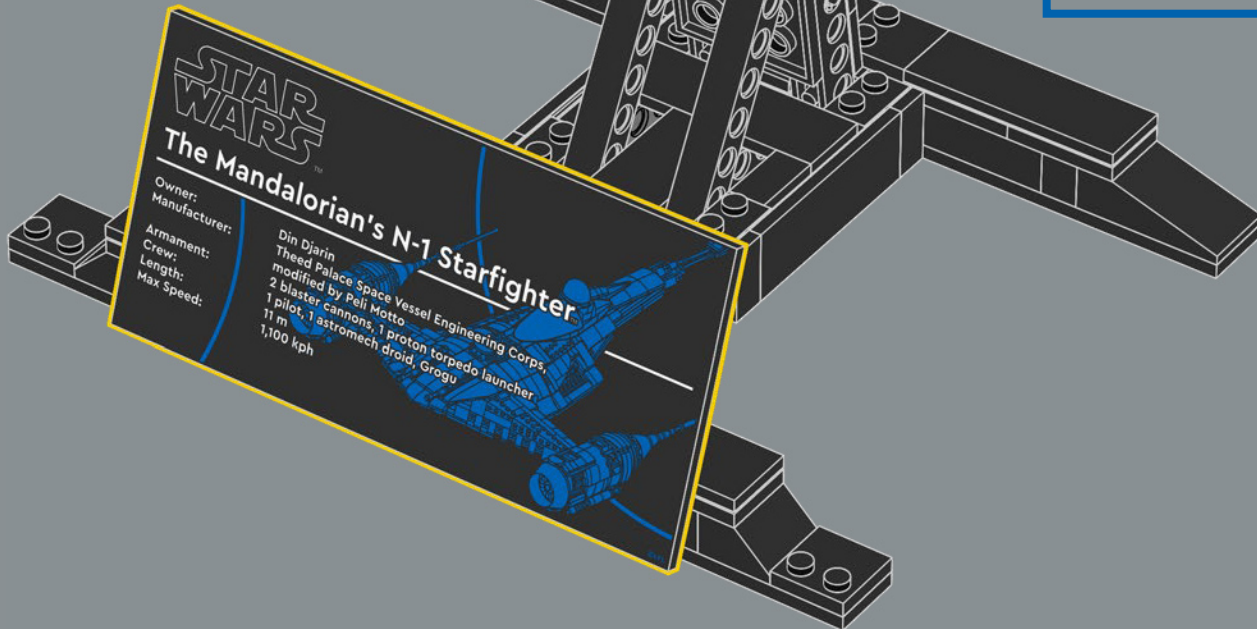
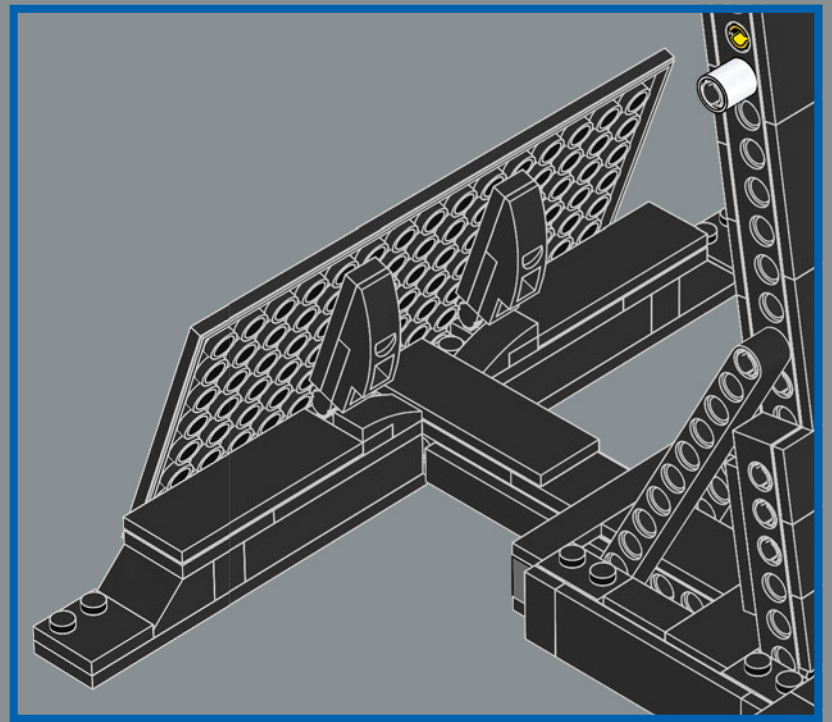


386





387



388



STAR WARS

The Mandalorian's N-1 Starfighter

Owner:
Din Djarin

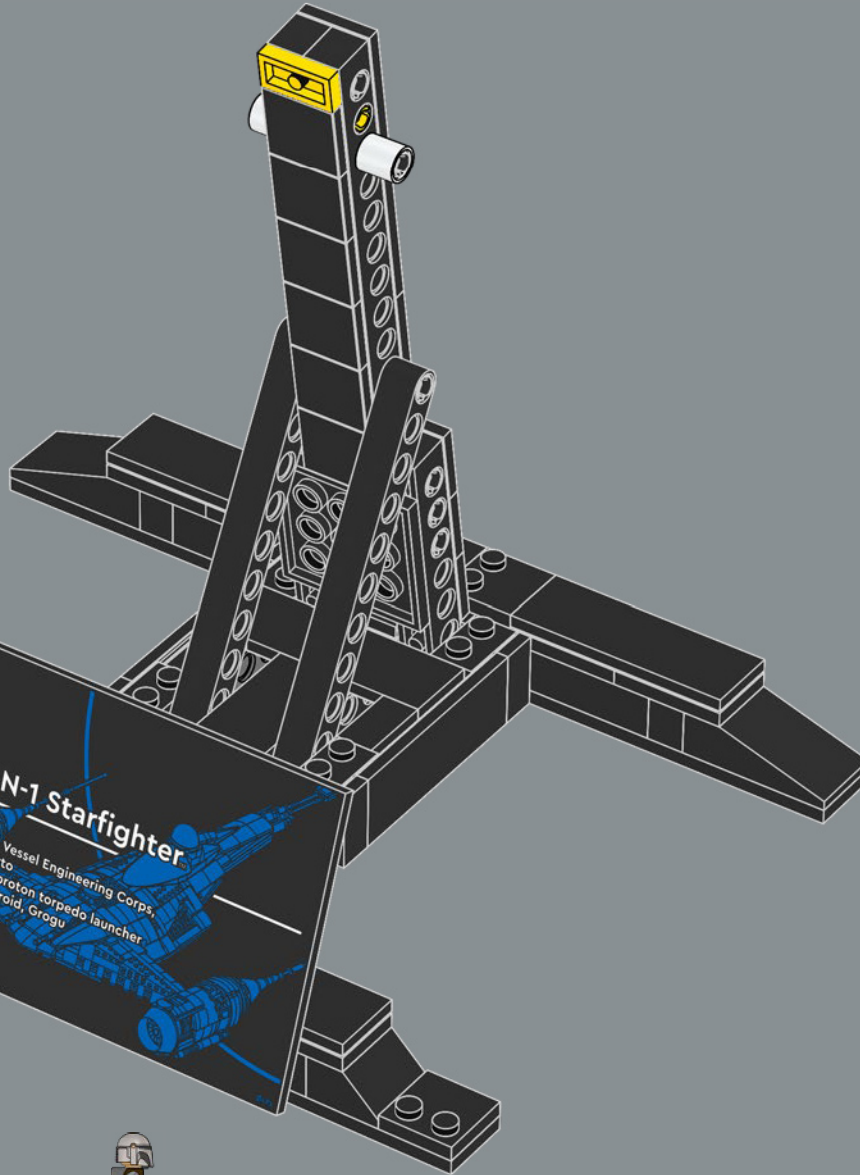
Manufacturer:
Theed Palace Space Vessel Engineering Corps, modified by Peli Motto

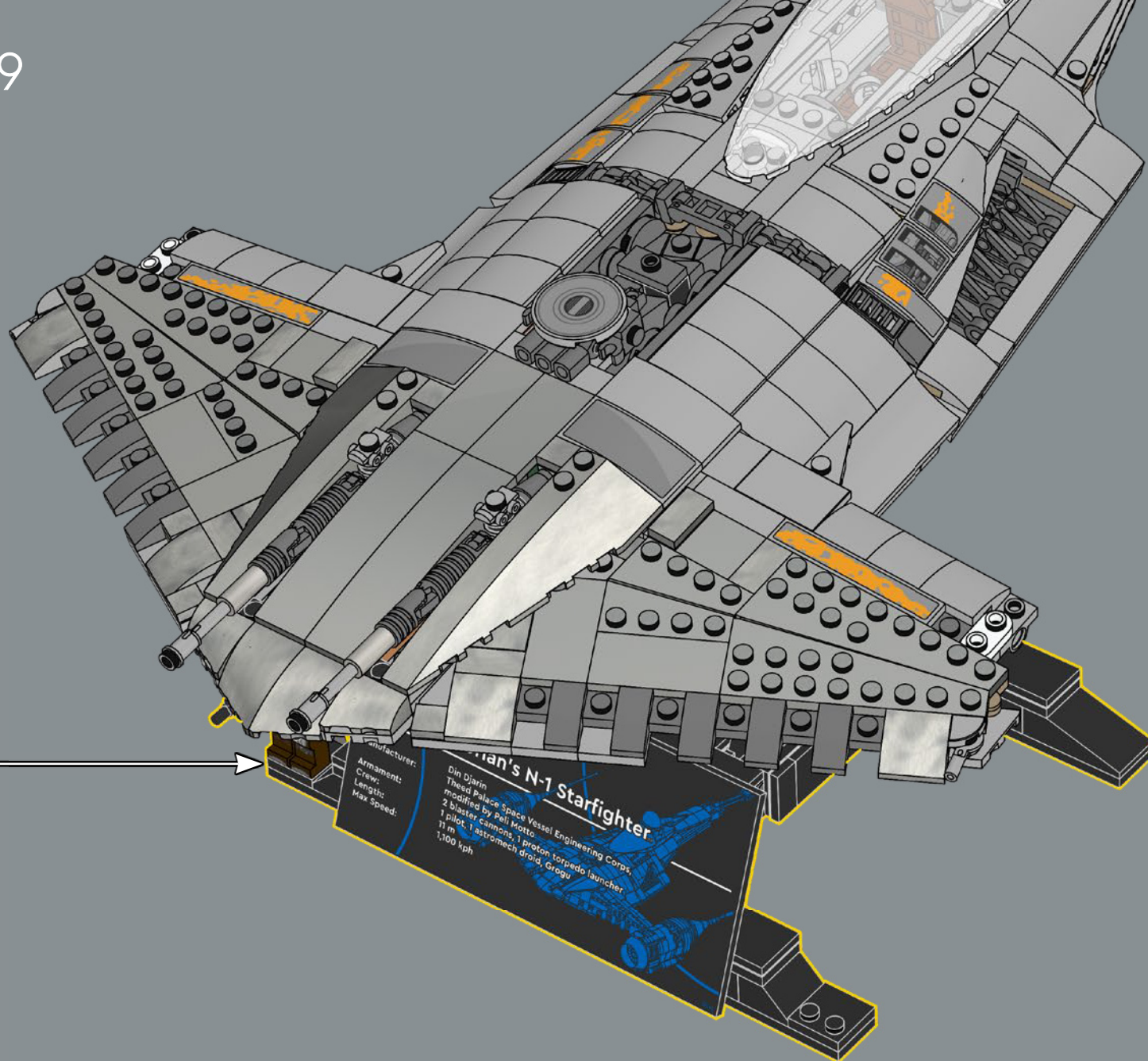
Armament:
2 blaster cannons, 1 proton torpedo launcher

Crew:
1 pilot, 1 astromech droid, Grogu

Length:
11 m

Max Speed:
1,100 kph

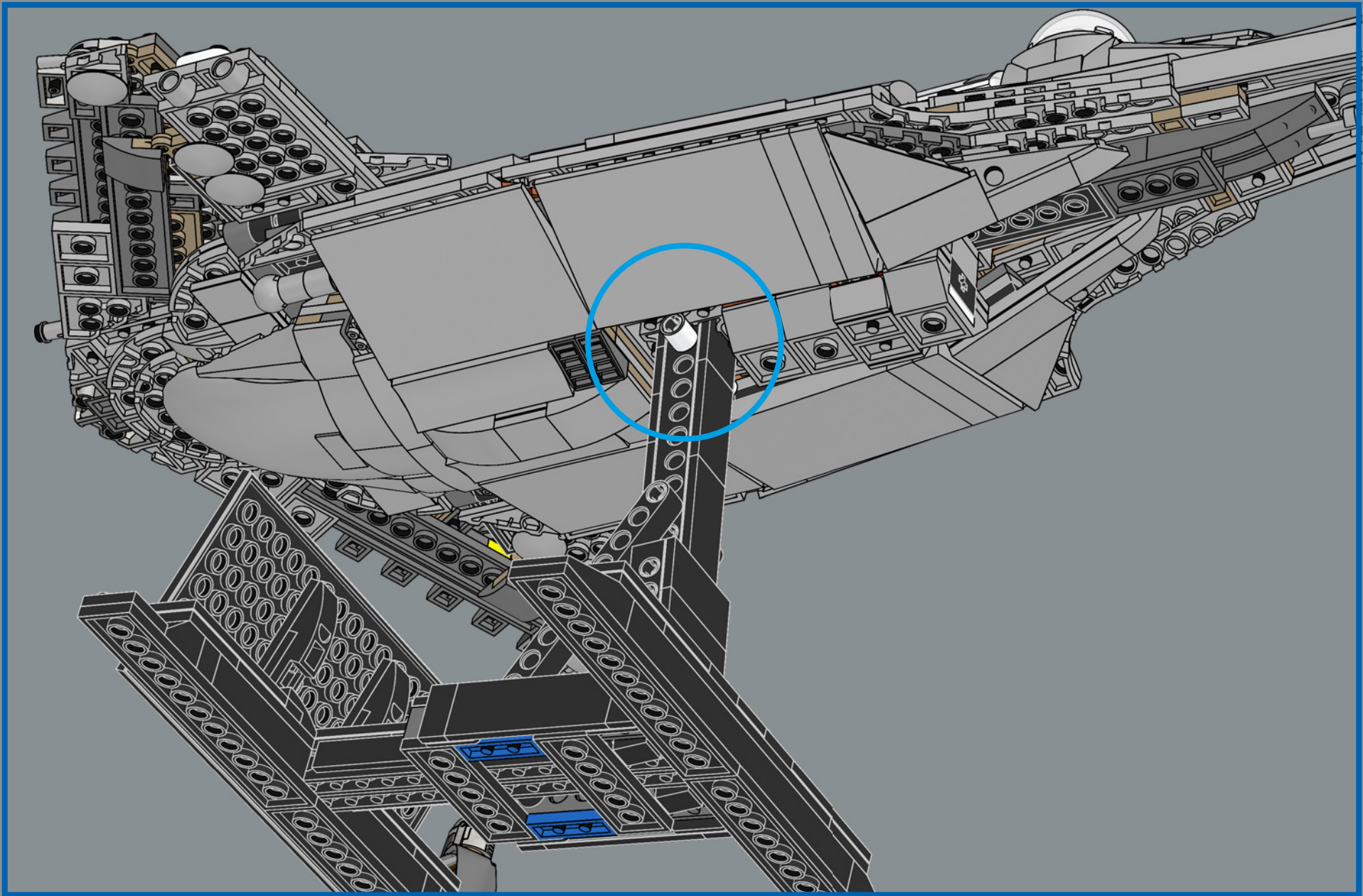
A blue line-art illustration of the N-1 Starfighter is shown on the right side of the information panel.



Manufacturer:
Armaments:
Crew:
Length:
Max Speed:

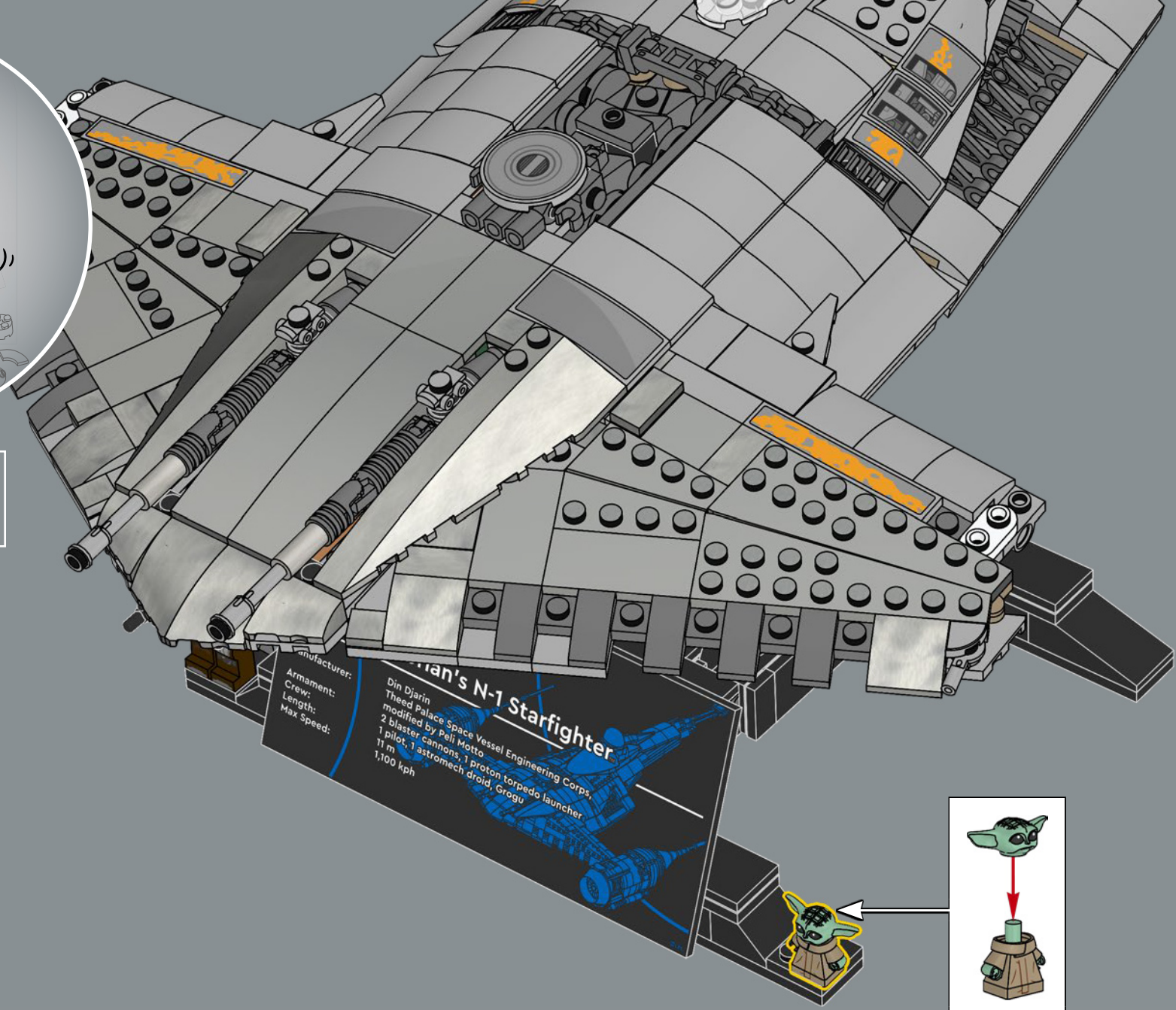
Djarin's N-1 Starfighter

Theed Palace Space Vessel Engineering Corps.
modified by Peli Motto
2 blaster cannons, 1 proton torpedo launcher
1 pilot, 1 astromech droid, Groggu

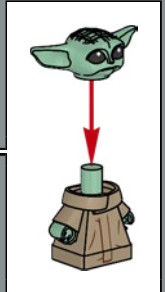


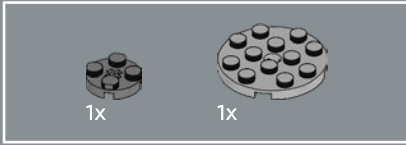
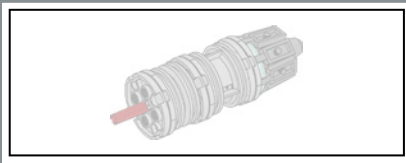


390

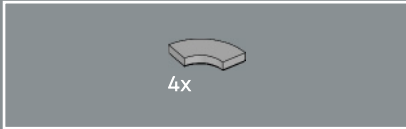
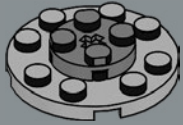


Manufacturer: **Din Djarin**
Arms: **Theed Palace Space Vessel Engineering Corps**
Crew: **modified by Paji Motto**
Length: **2 blaster cannons, 1 proton torpedo launcher**
Max Speed: **11 m**
1 pilot, 1 astromech droid, Grogu
1,100 kph

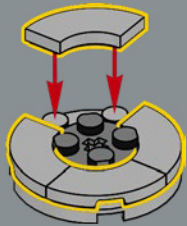




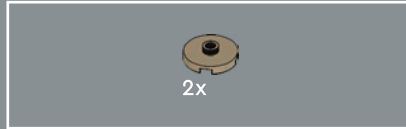
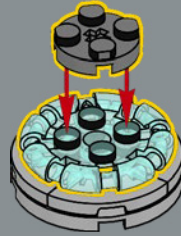
391



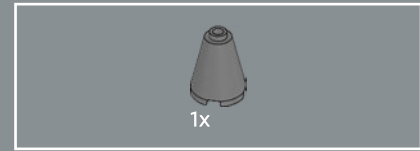
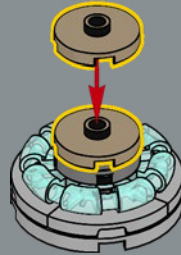
392



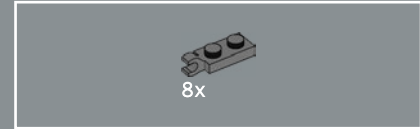
393



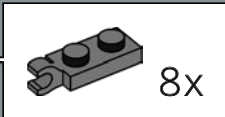
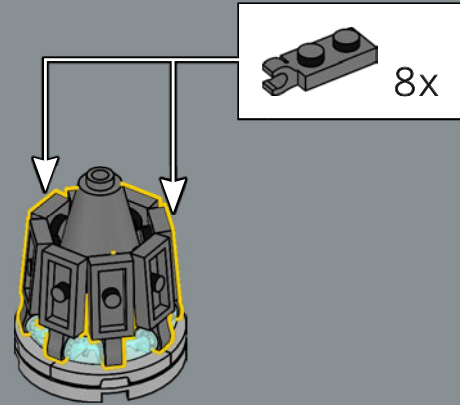
394

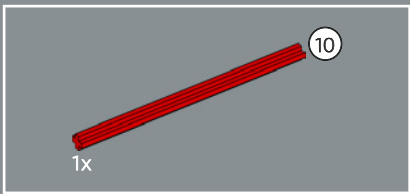


395

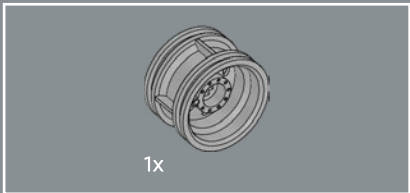
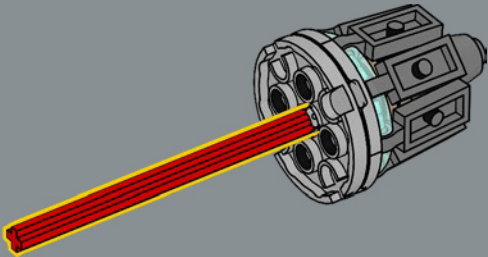


396

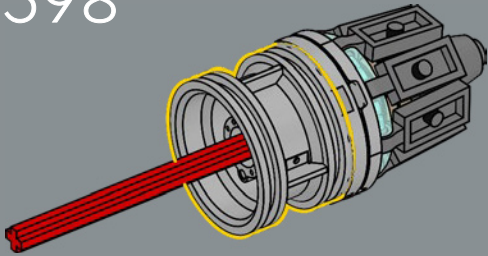




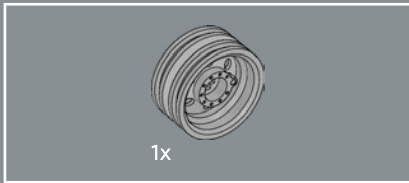
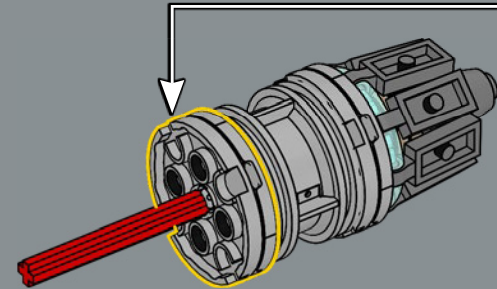
397



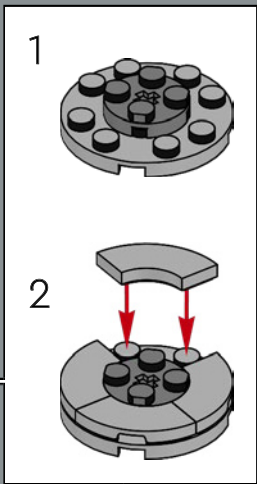
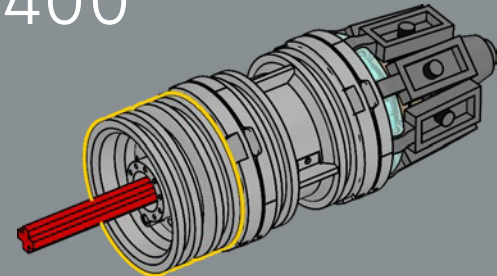
398



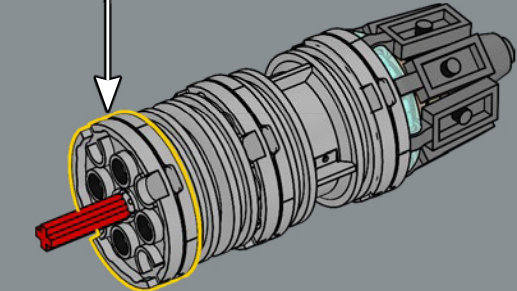
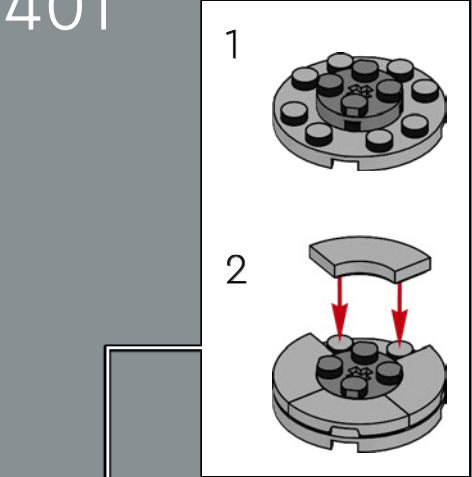
399



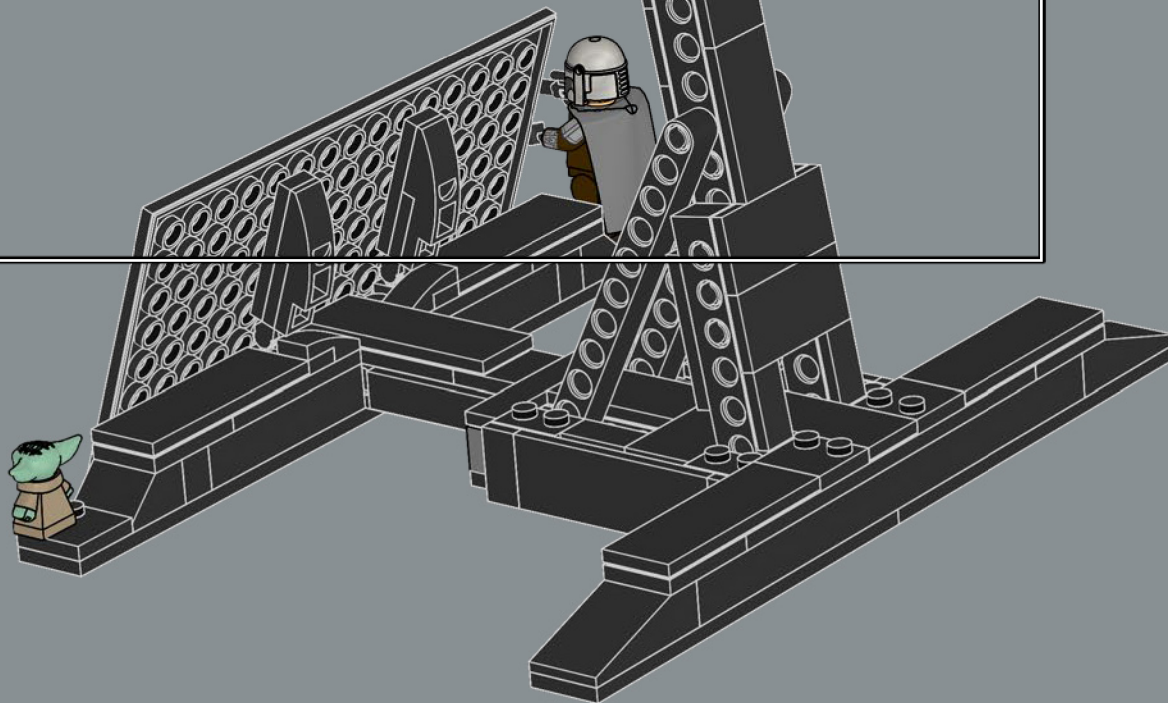
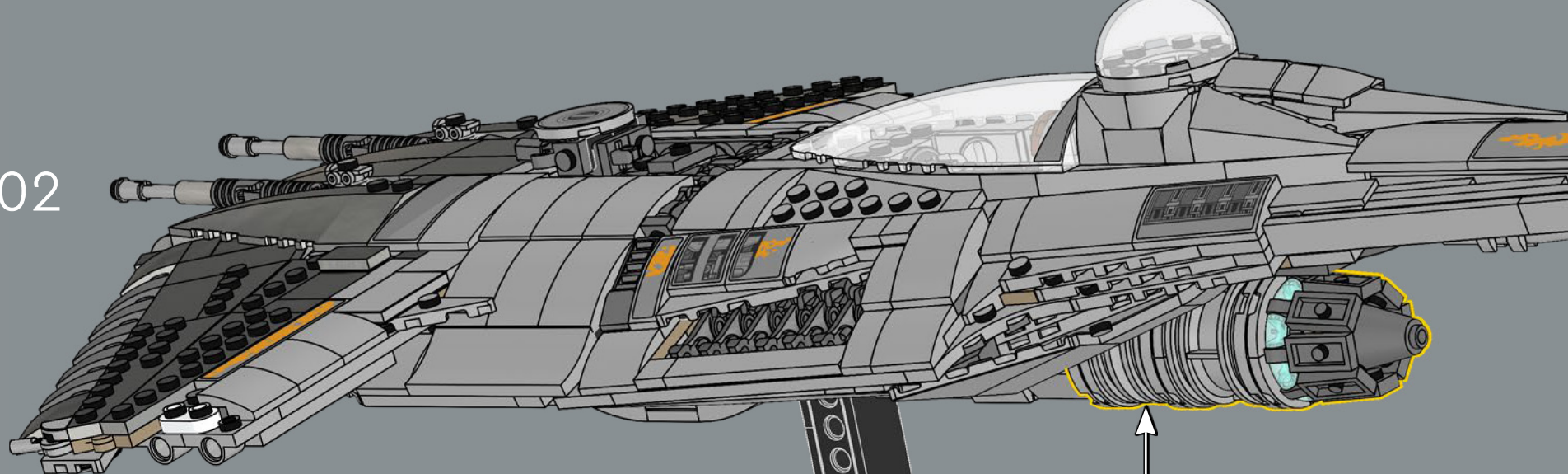
400

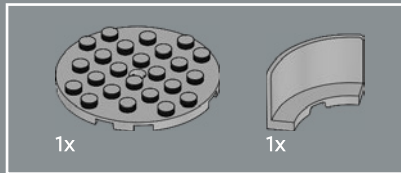
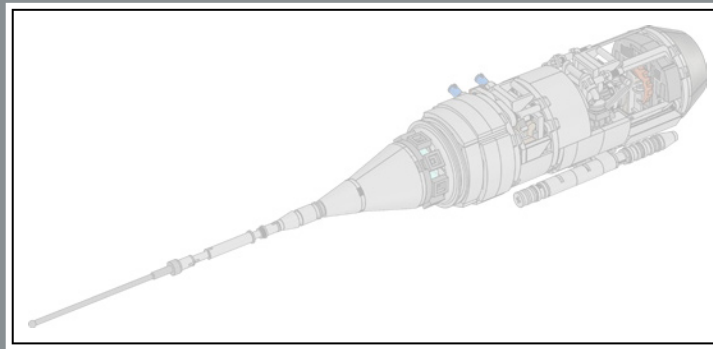


401

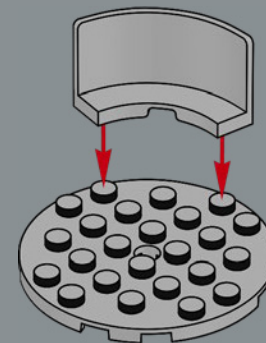


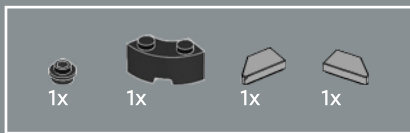
402



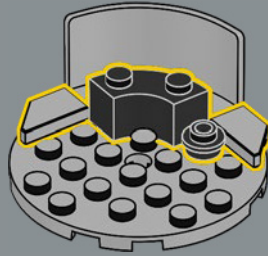


403

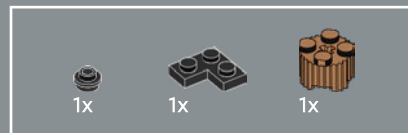
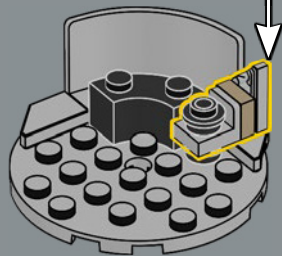
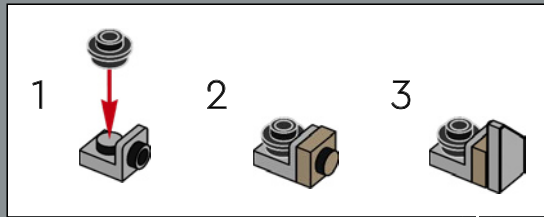




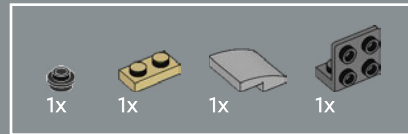
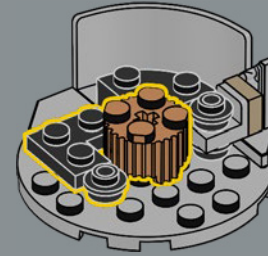
404



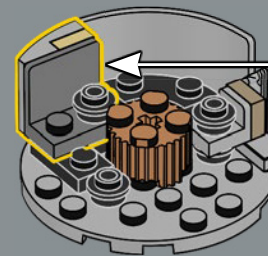
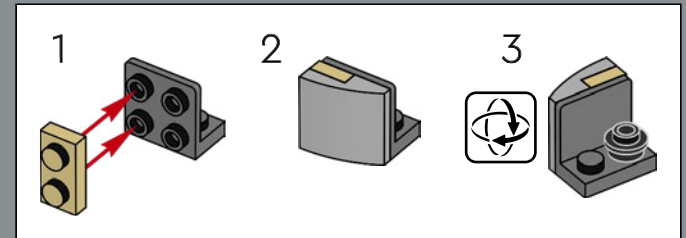
405

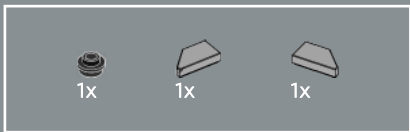


406

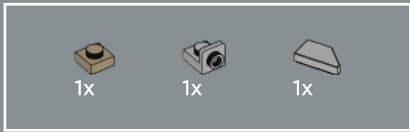
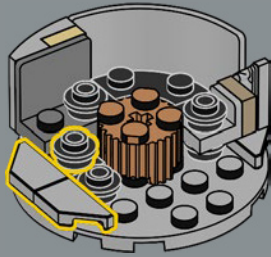


407

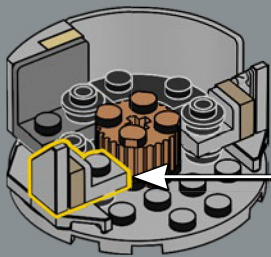
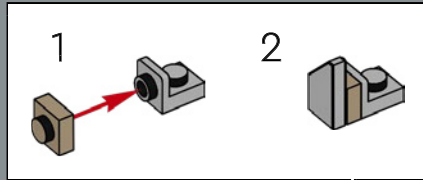




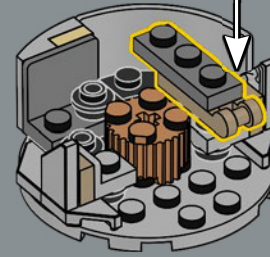
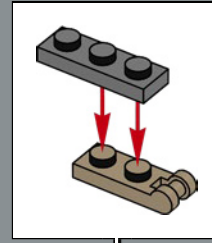
408



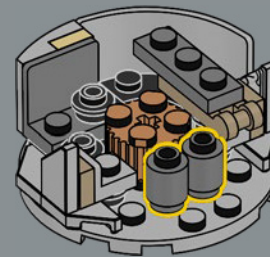
409

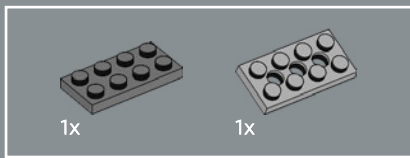


410

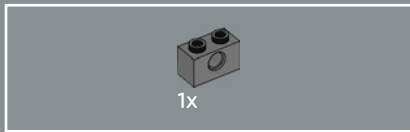
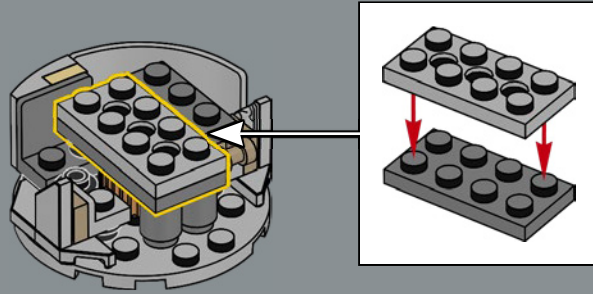


411

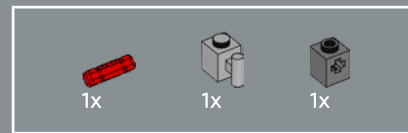
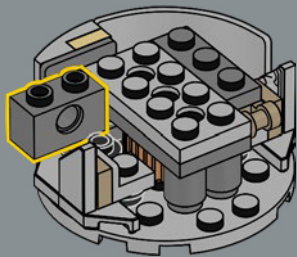




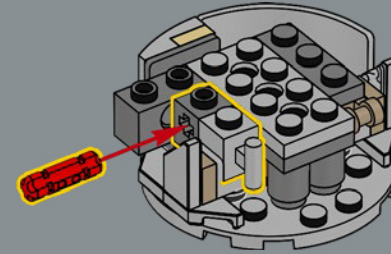
412



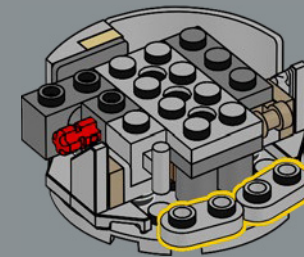
413

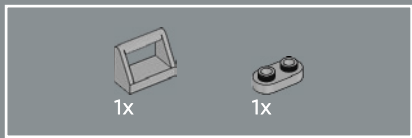


414

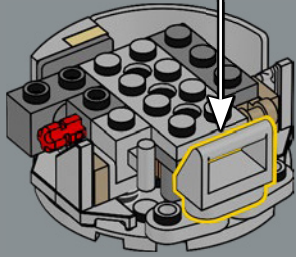
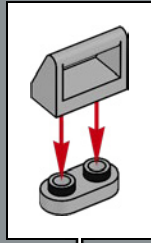


415

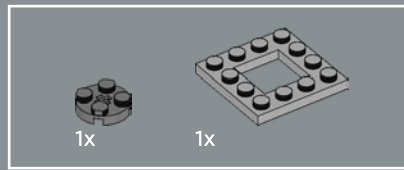
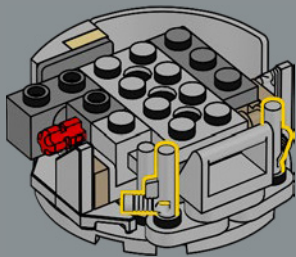




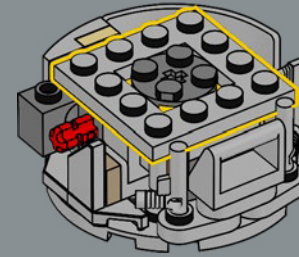
416



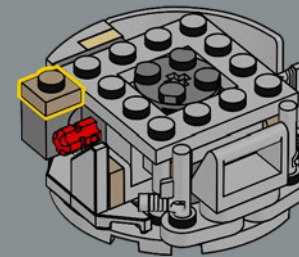
417

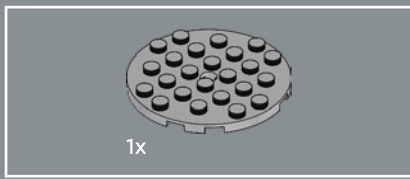


418

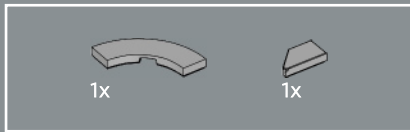
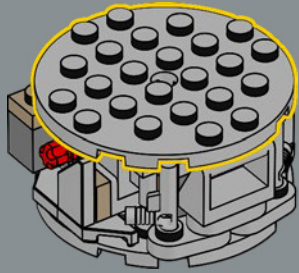


419

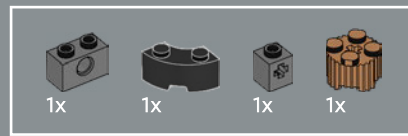
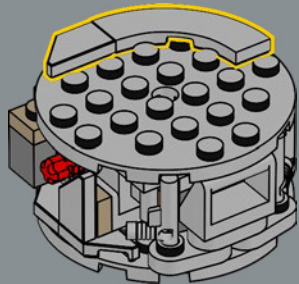




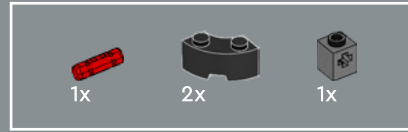
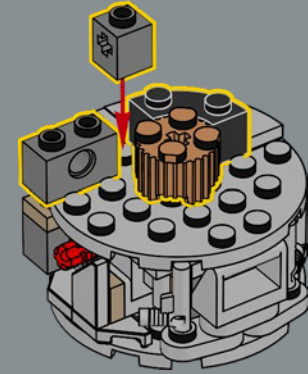
420



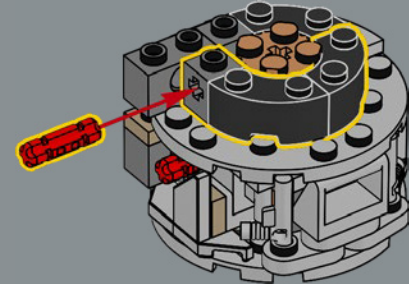
421

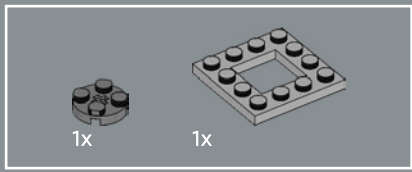


422

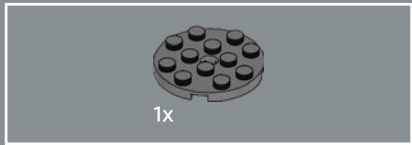
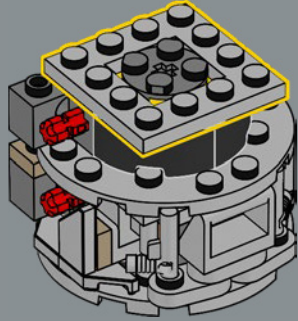


423

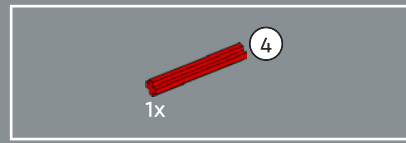
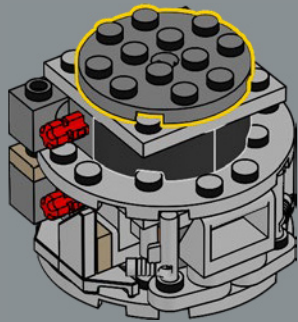




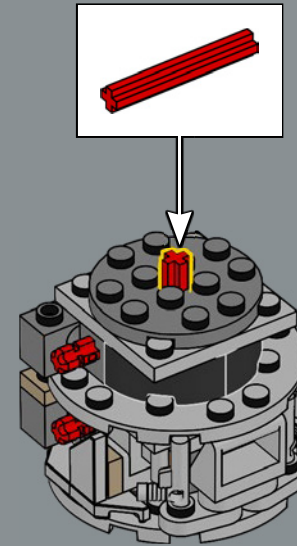
424

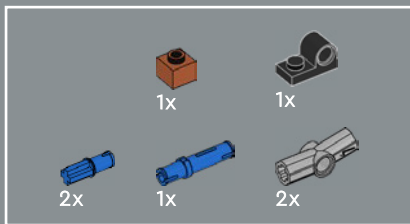


425

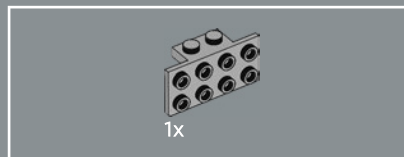
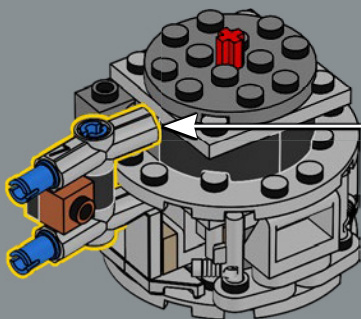
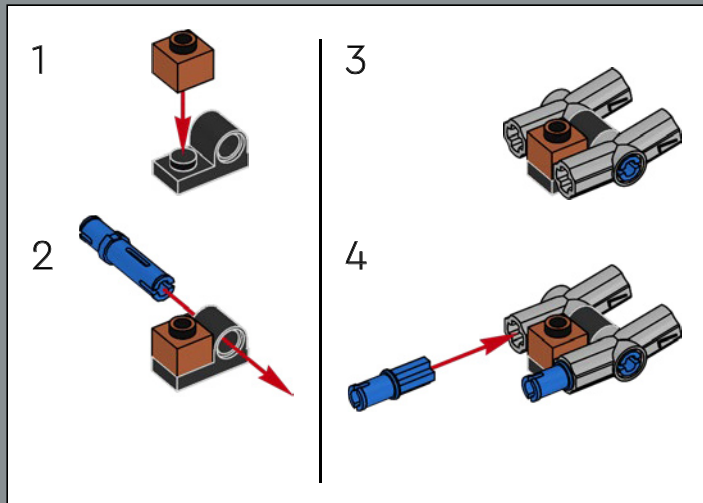


426

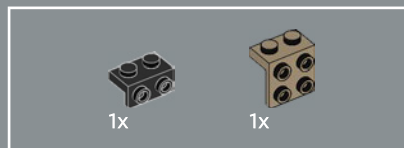
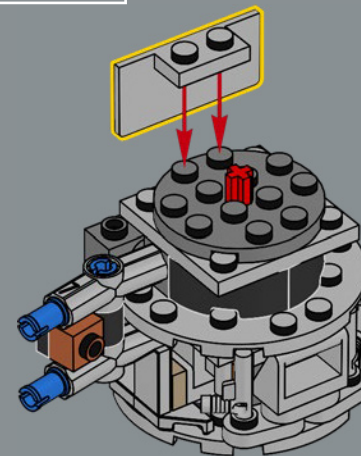




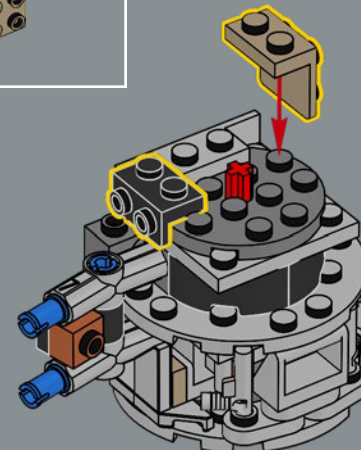
427

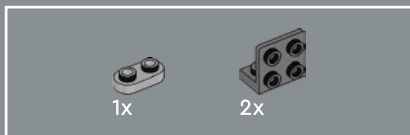


428

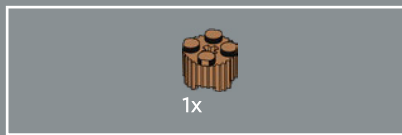
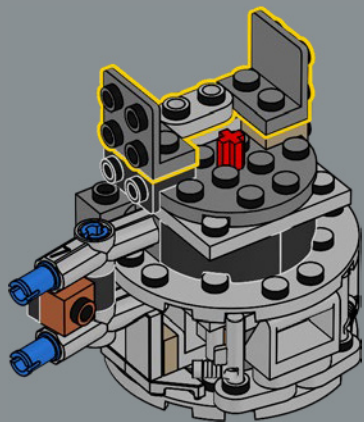


429

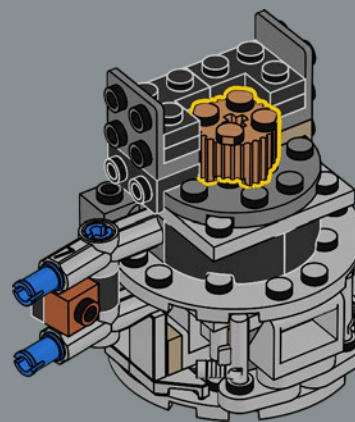




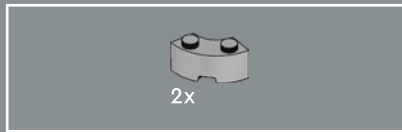
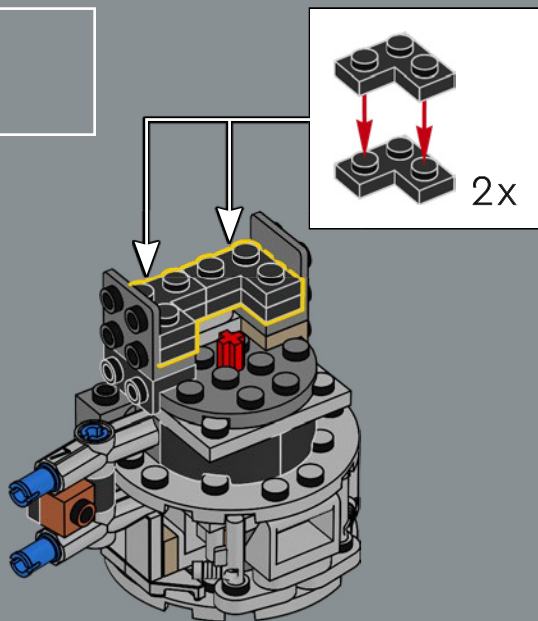
430



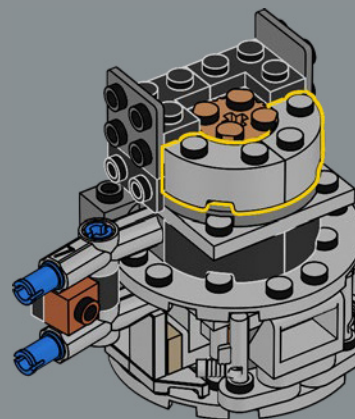
432

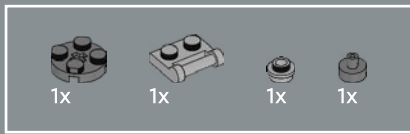


431

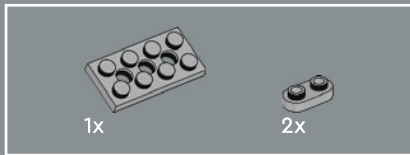
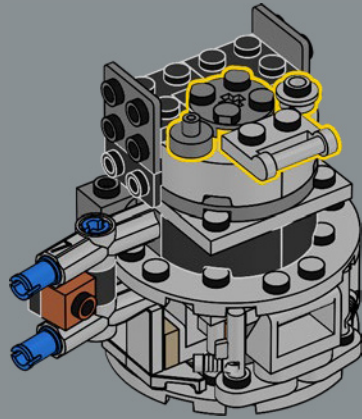


433

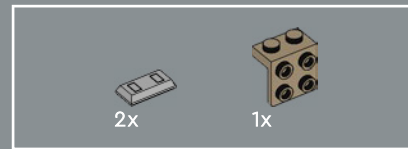
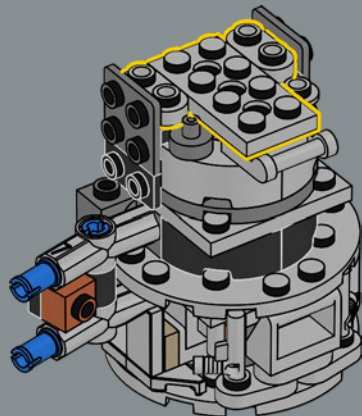




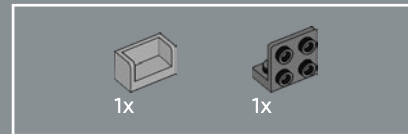
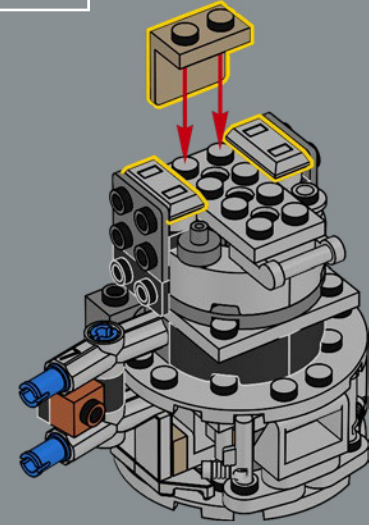
434



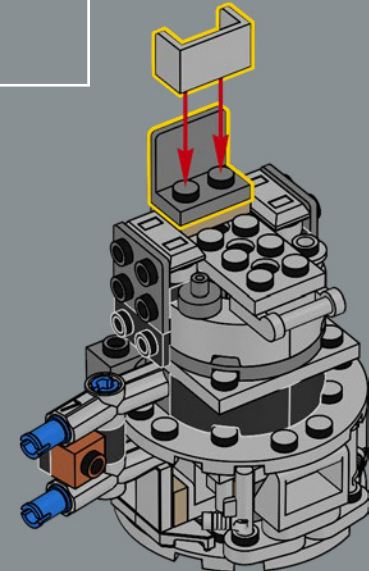
435

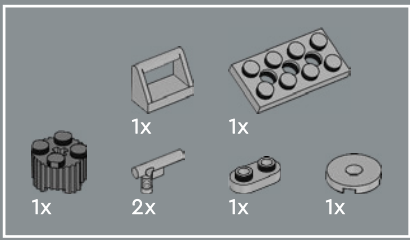


436

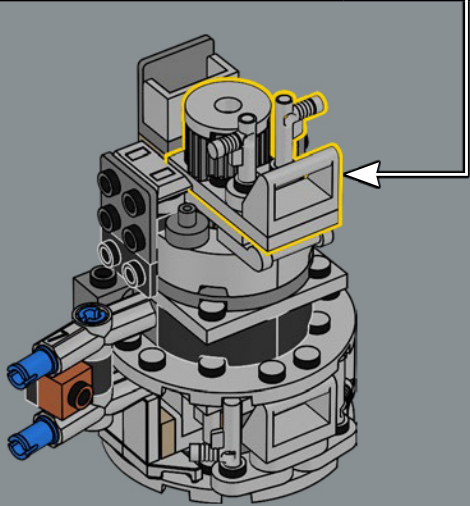
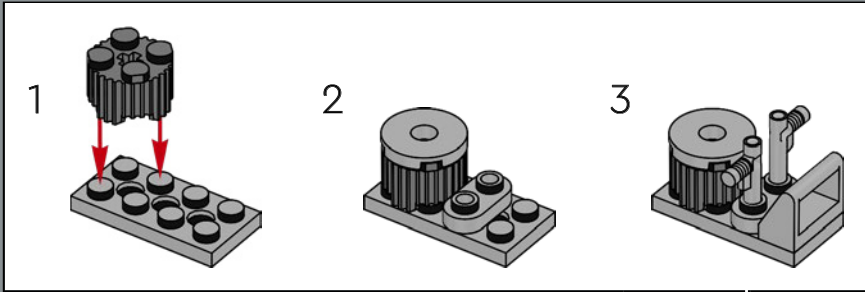


437

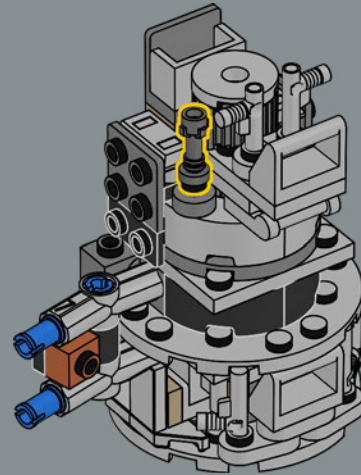


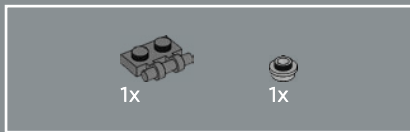


438

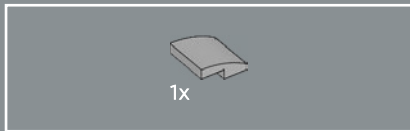
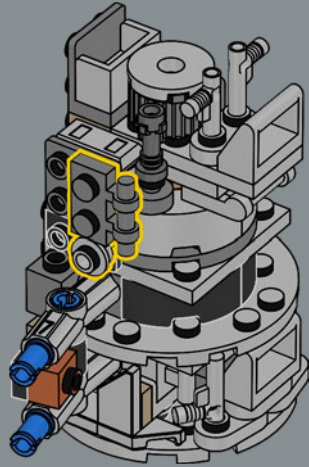


439

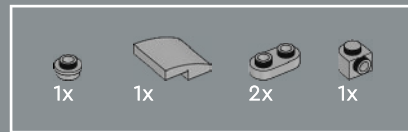
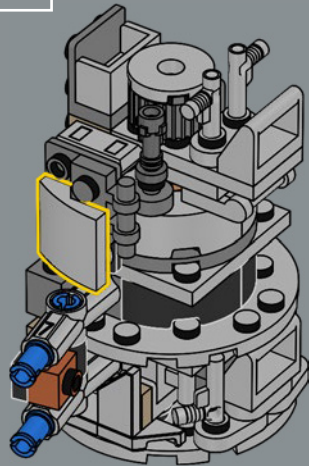




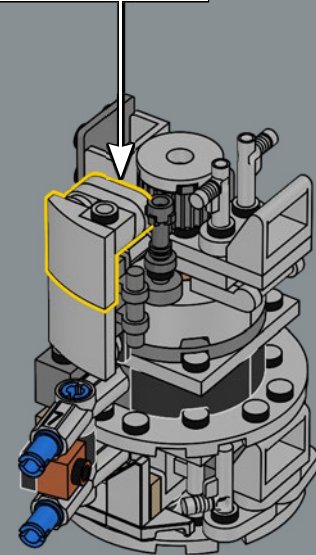
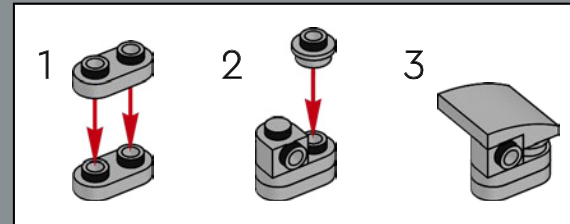
440

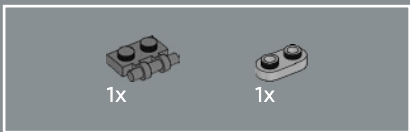


441

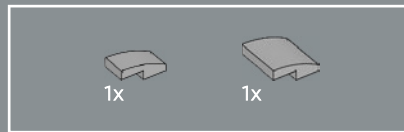
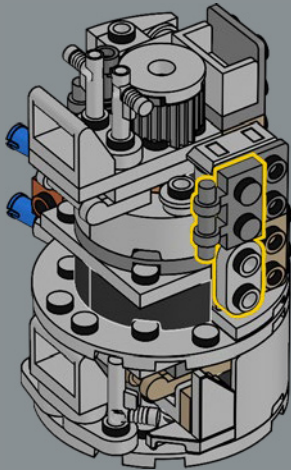


442

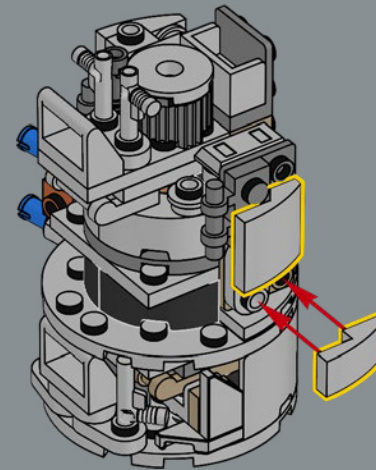


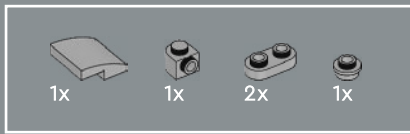


443

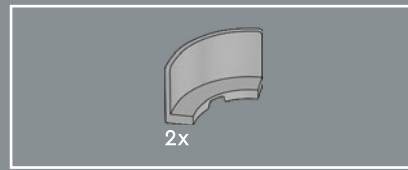
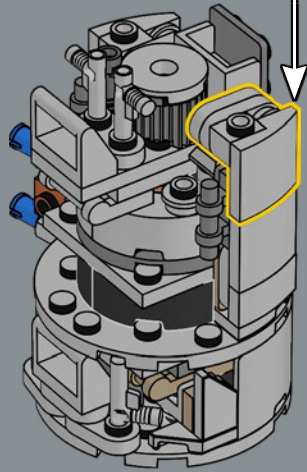
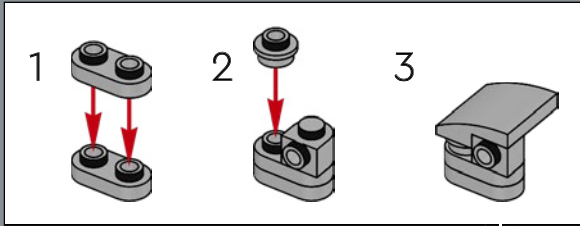


444

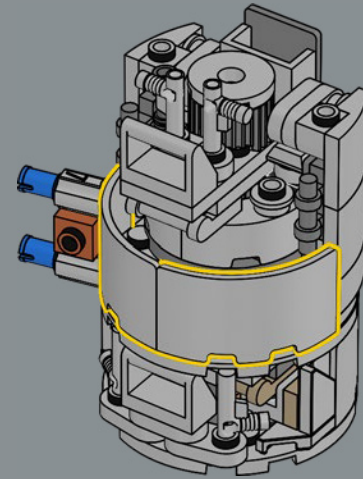


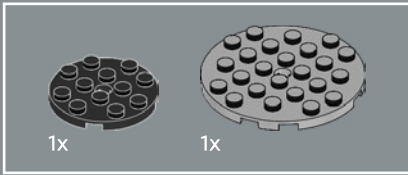
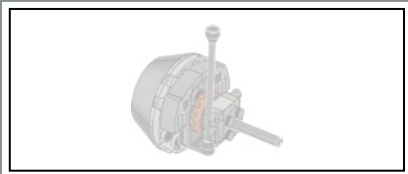


445

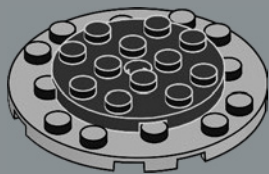


446

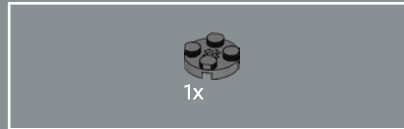
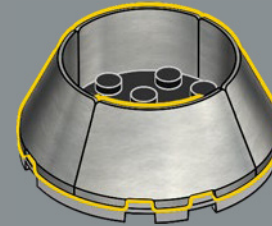




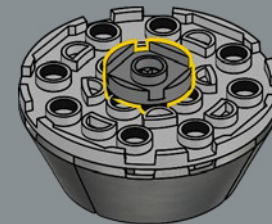
447

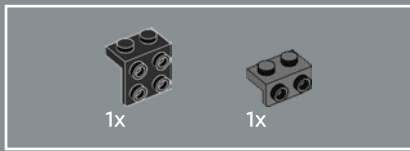


448

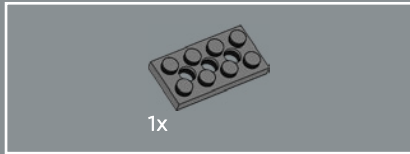
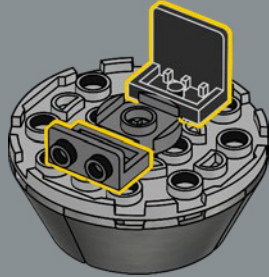


449

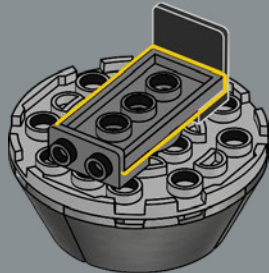




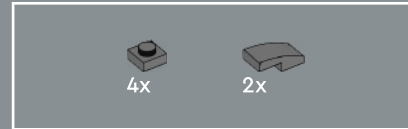
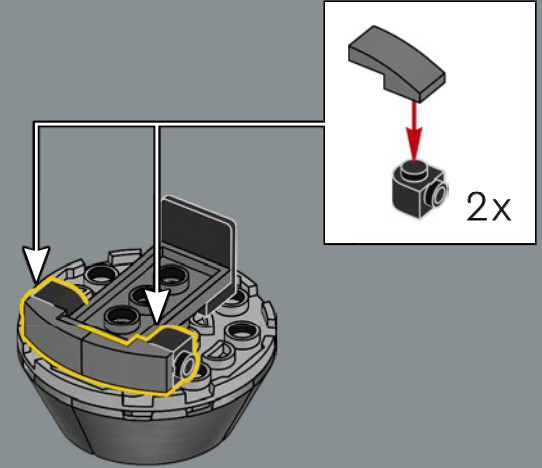
450



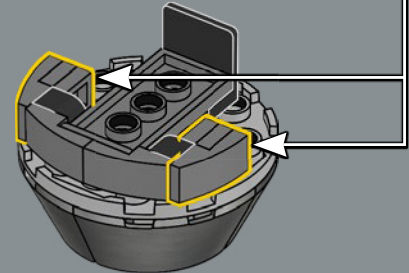
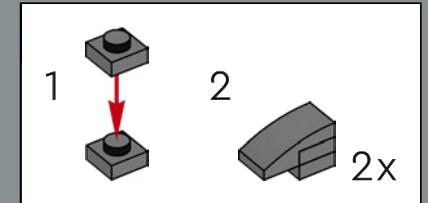
451

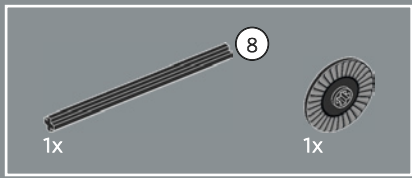


452

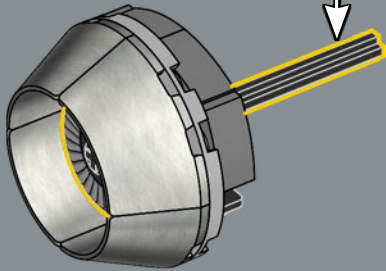
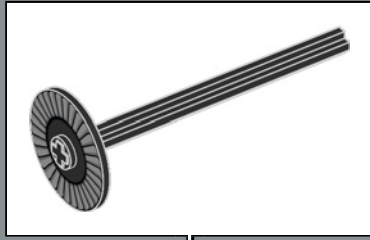


453

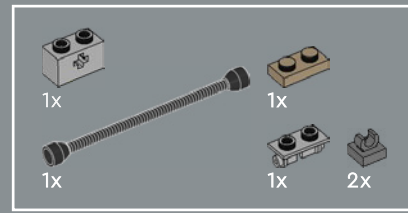
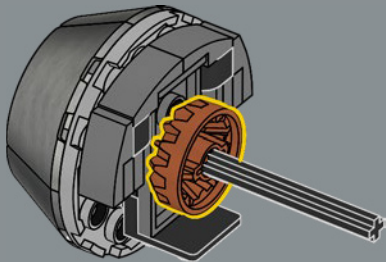




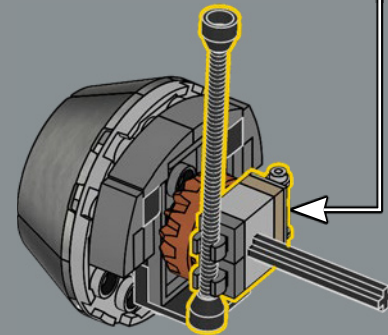
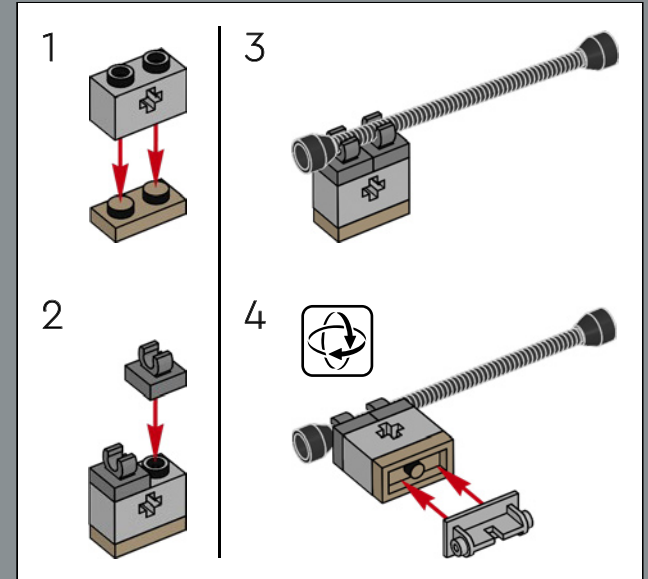
454



455

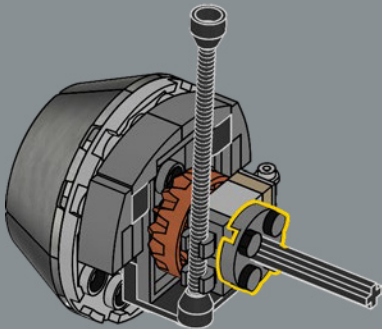


456

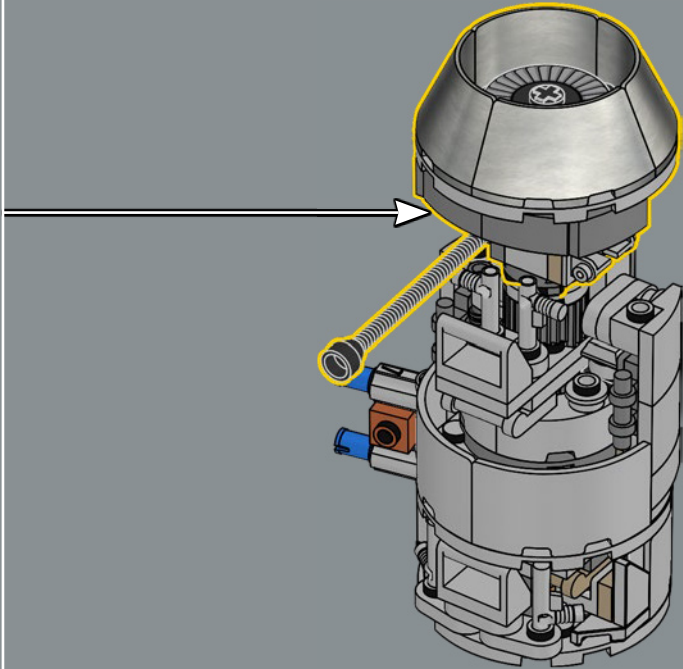




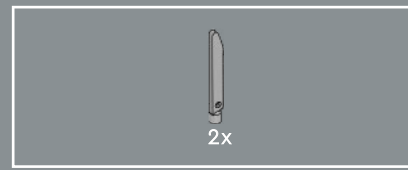
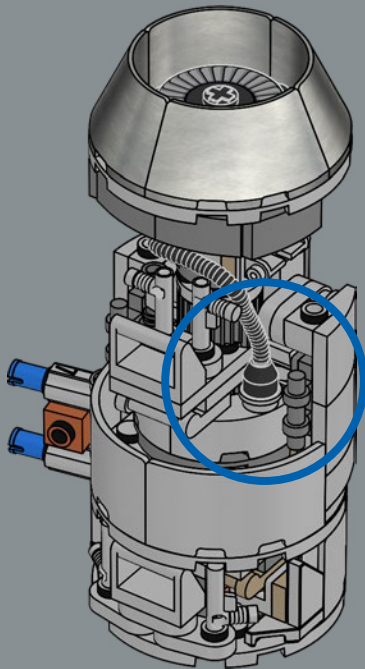
457



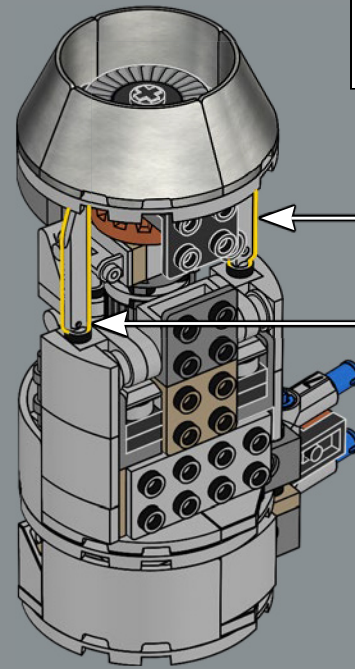
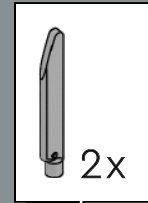
458

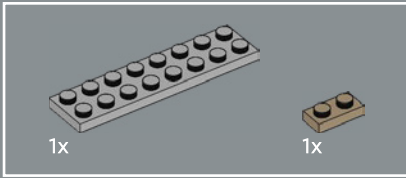
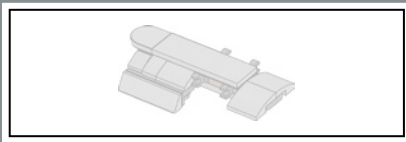


459

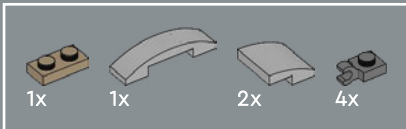
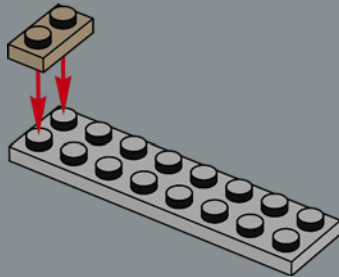


460

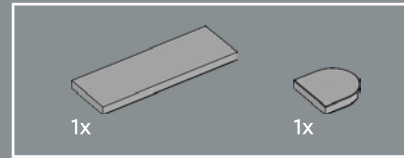
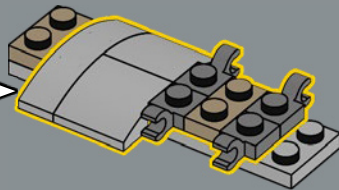
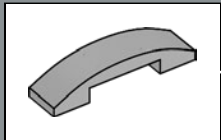




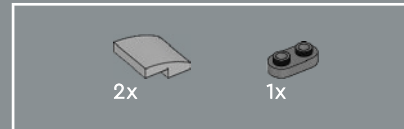
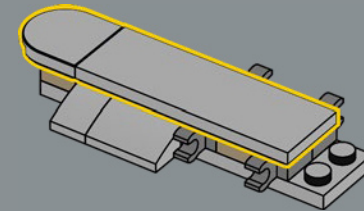
461



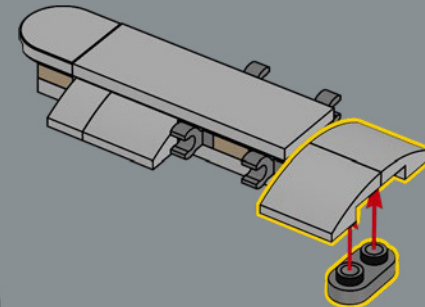
462

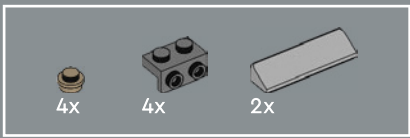


463

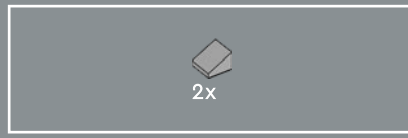
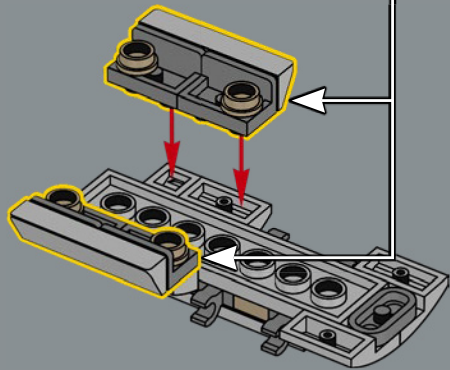
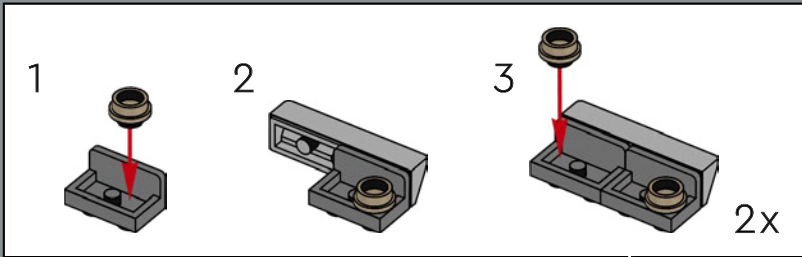


464

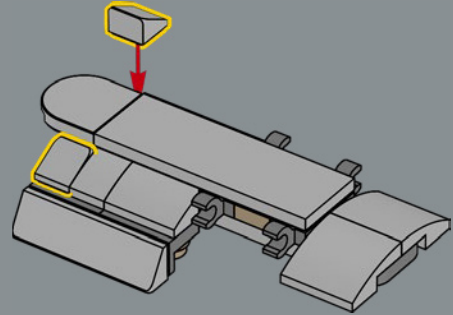




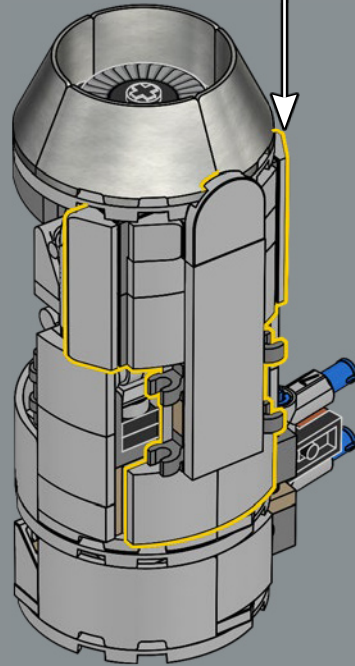
465

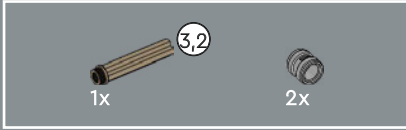
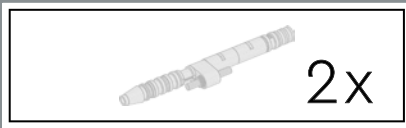


466

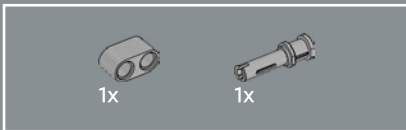
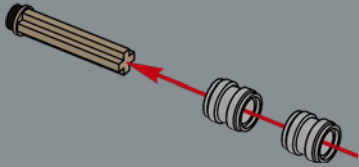


467

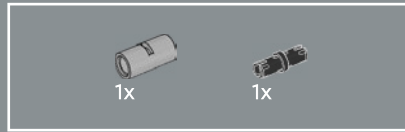
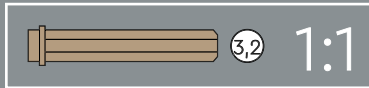
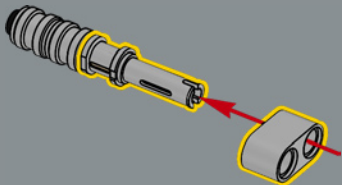




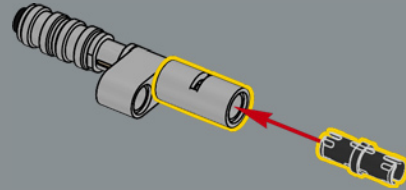
468



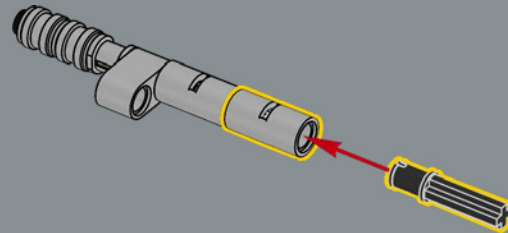
469



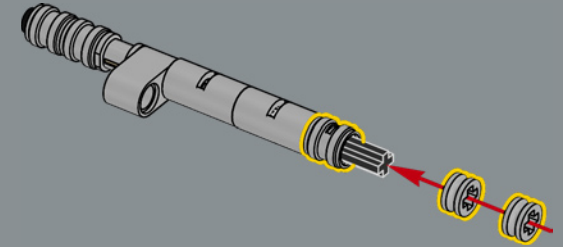
470



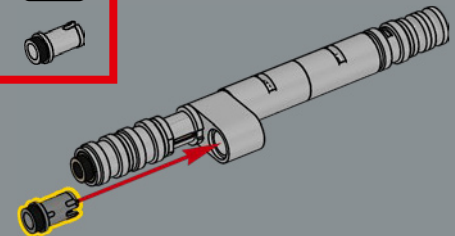
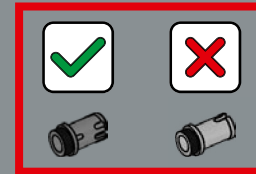
471

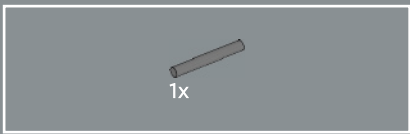


472

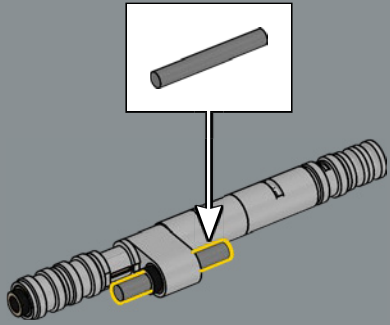


473

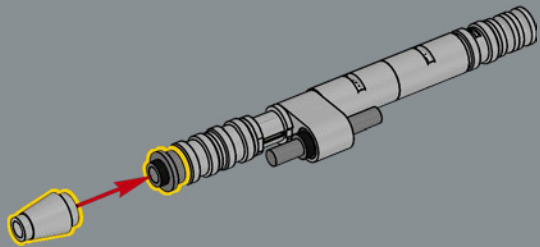




474

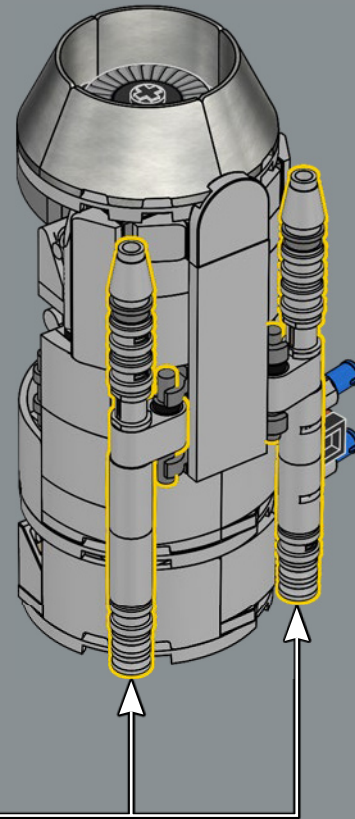


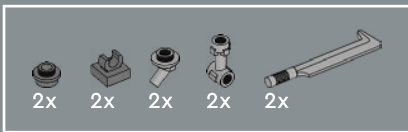
475



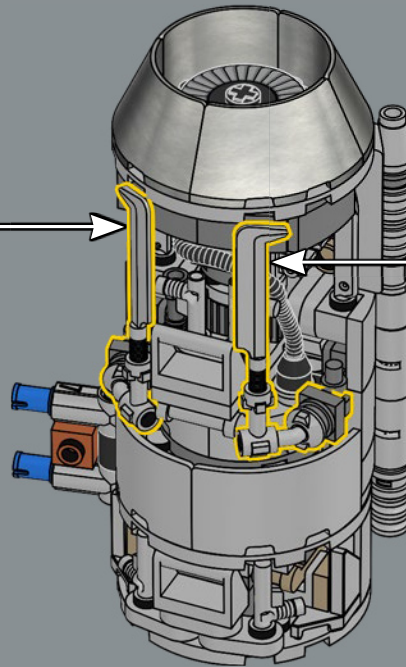
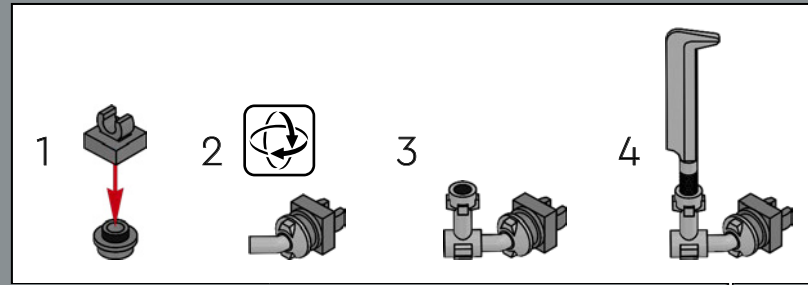
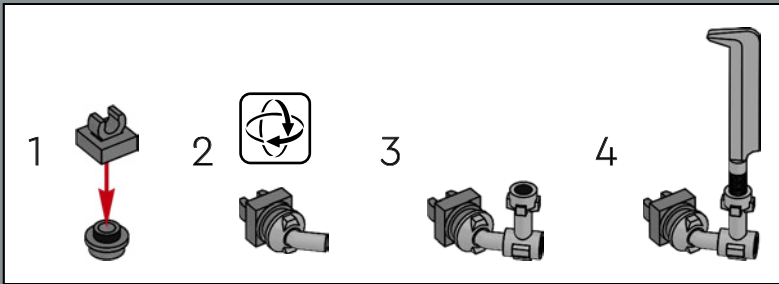
2x

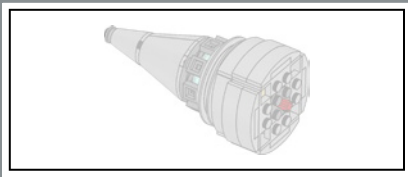
476



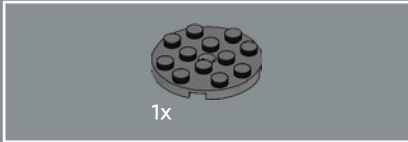


477

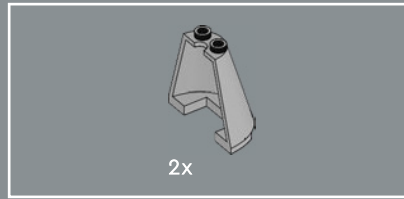




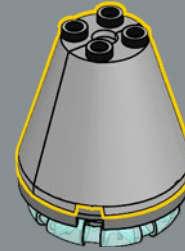
478



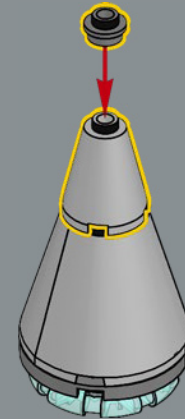
479

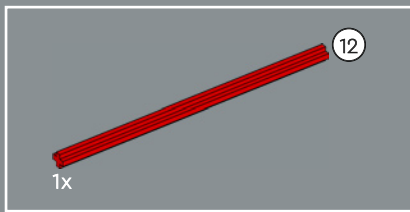


480

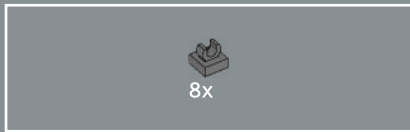
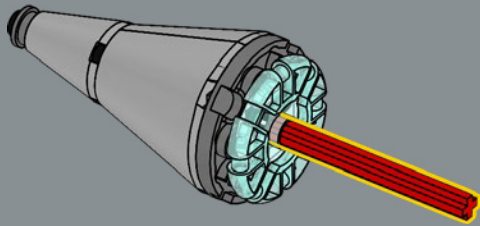


481

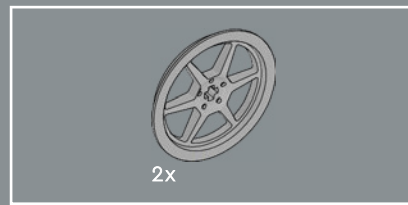
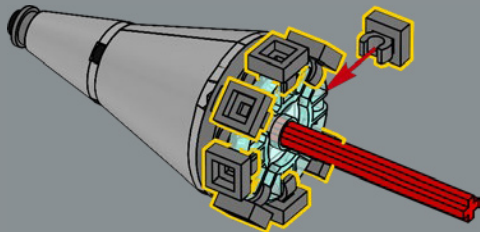




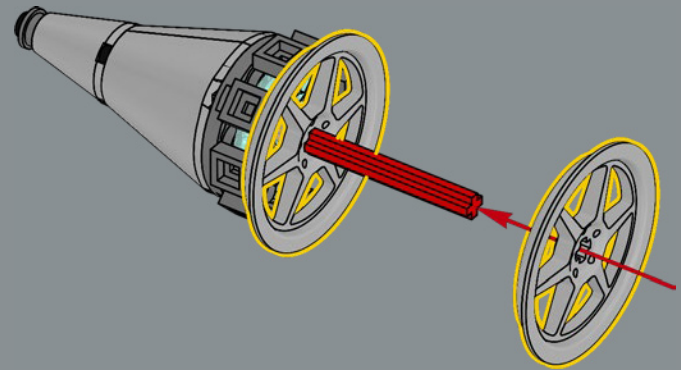
482

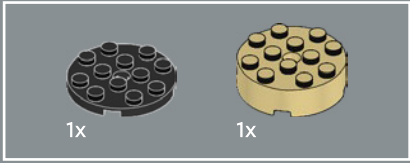
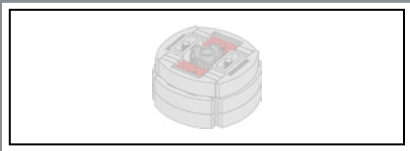


483

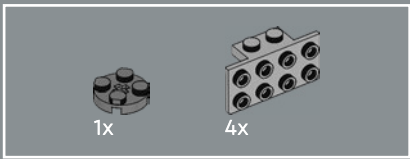
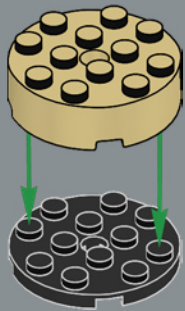


484

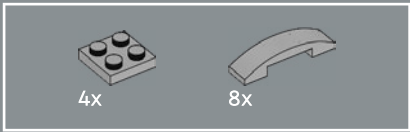
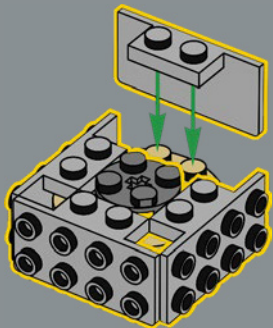




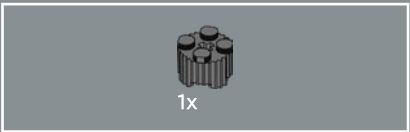
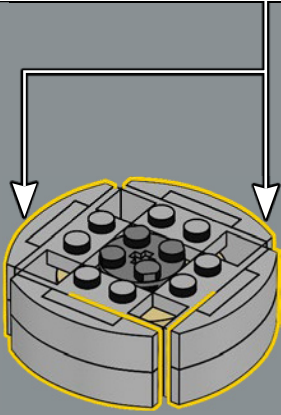
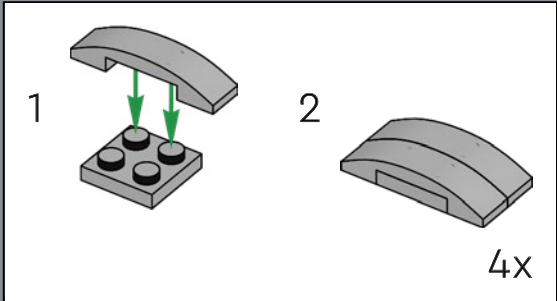
485



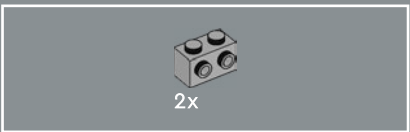
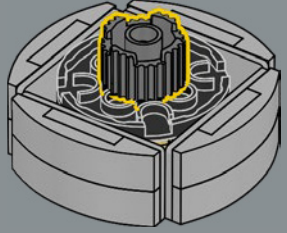
486



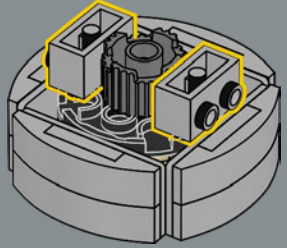
487

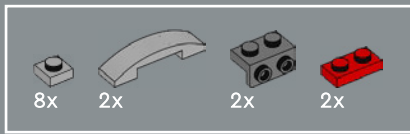


488

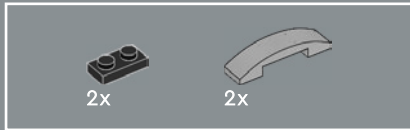
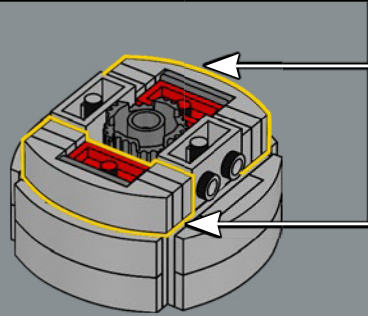
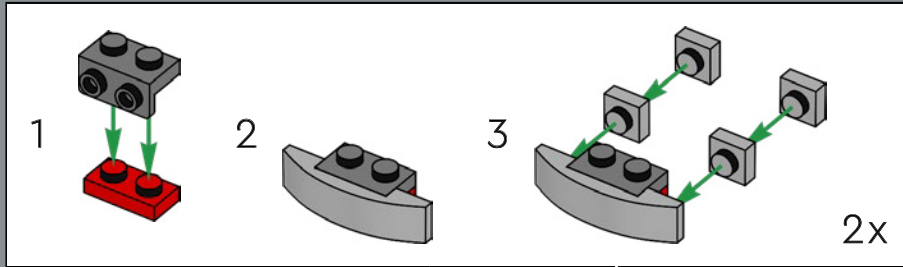


489

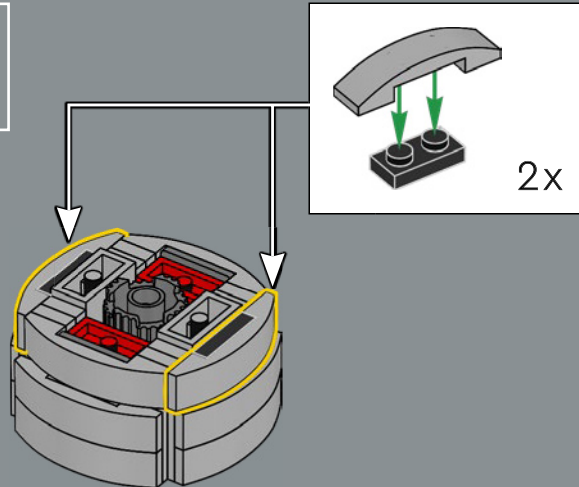




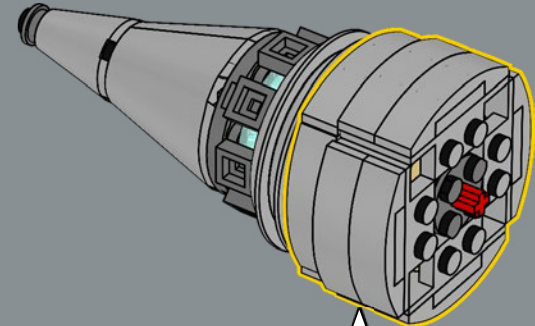
490



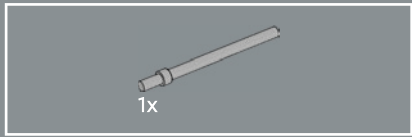
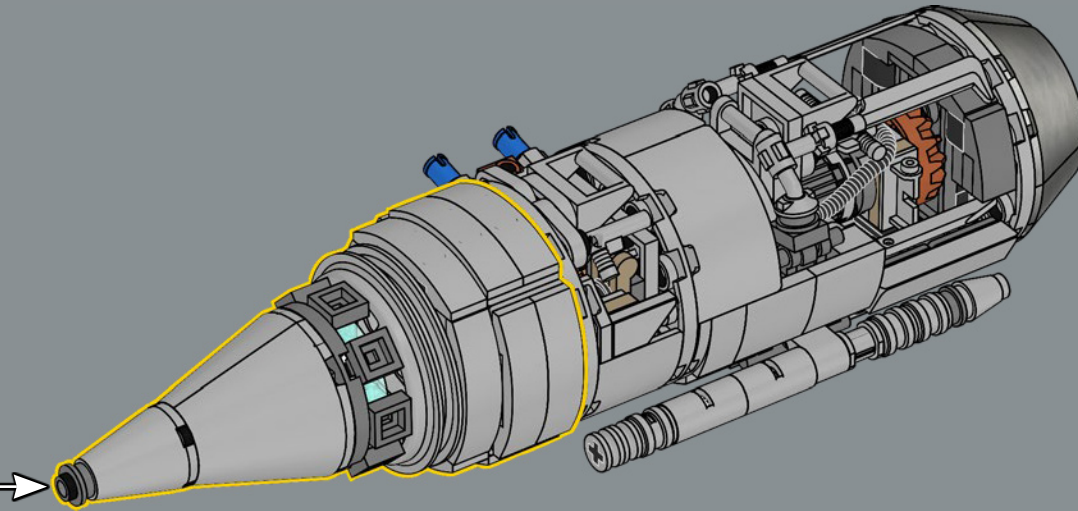
491



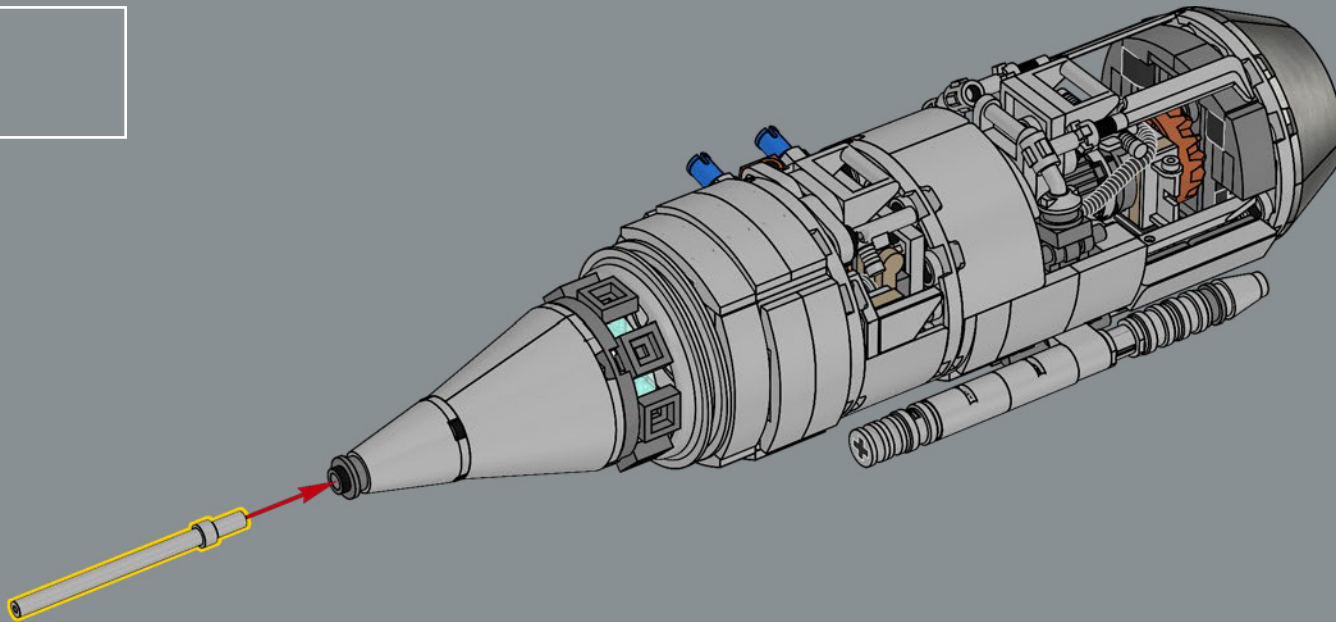
492

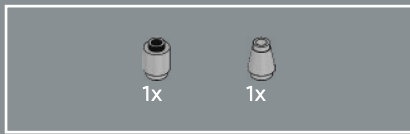


493

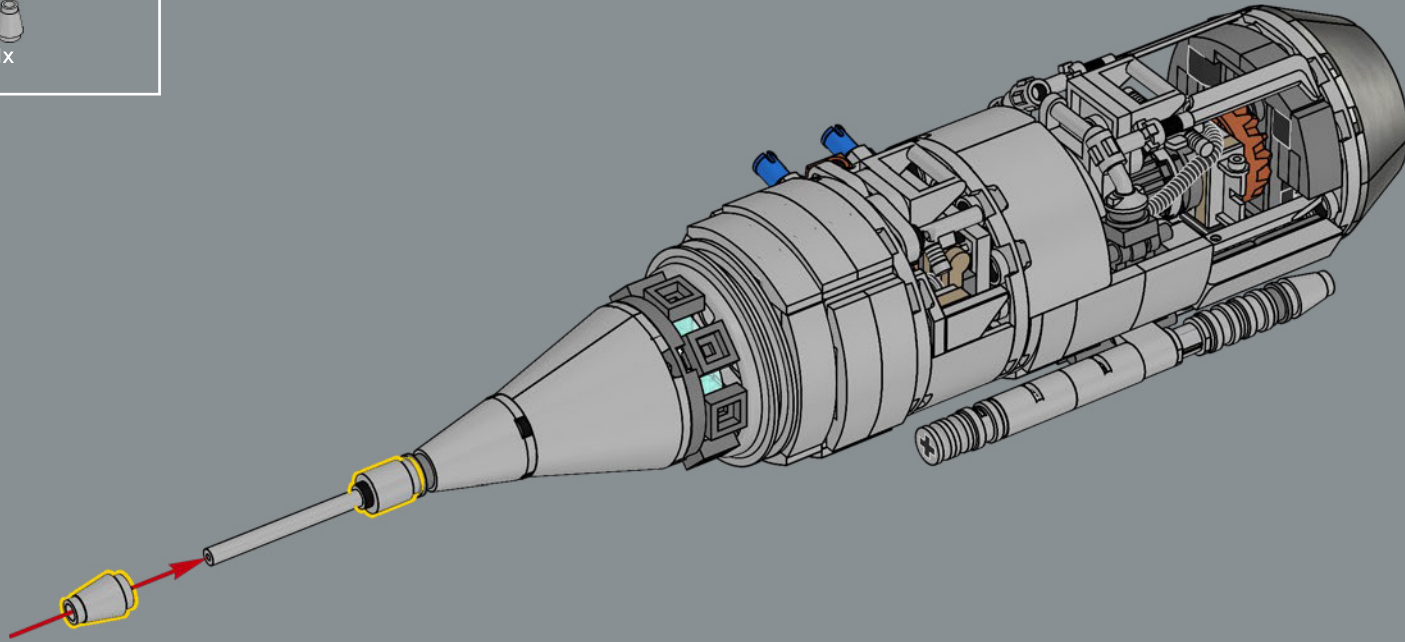


494

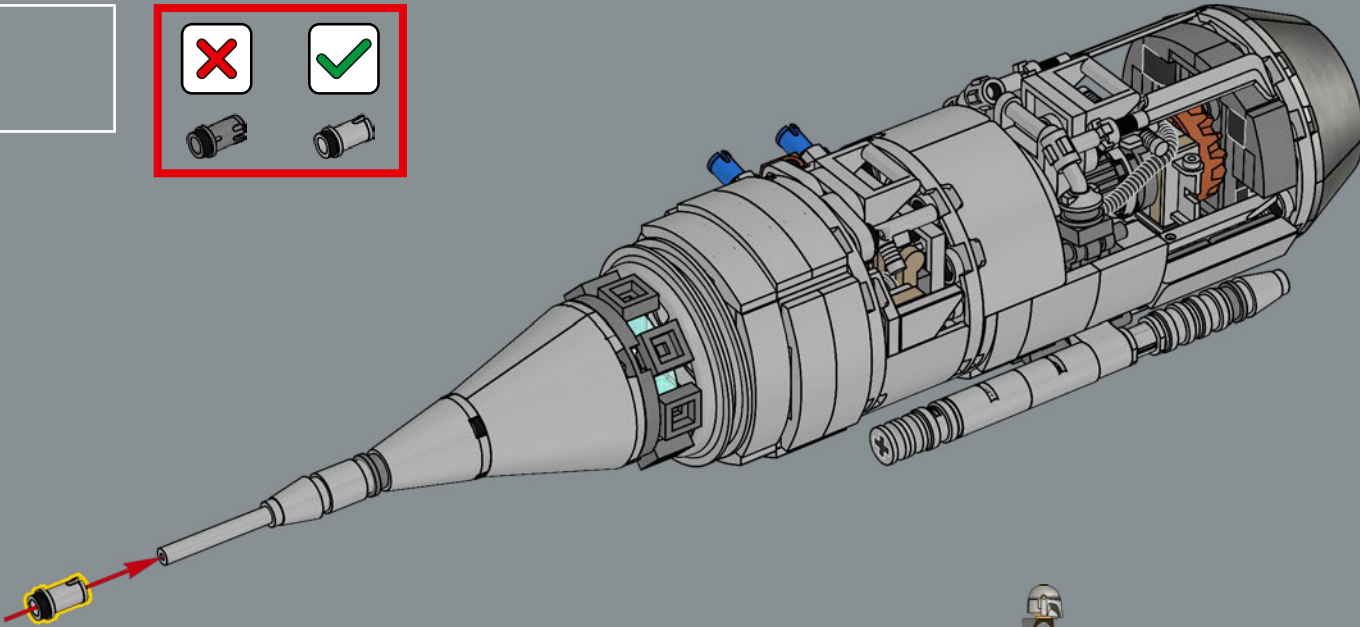
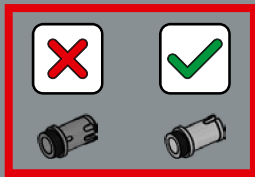


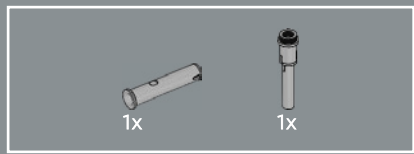


495

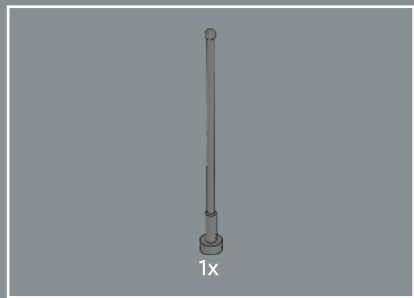
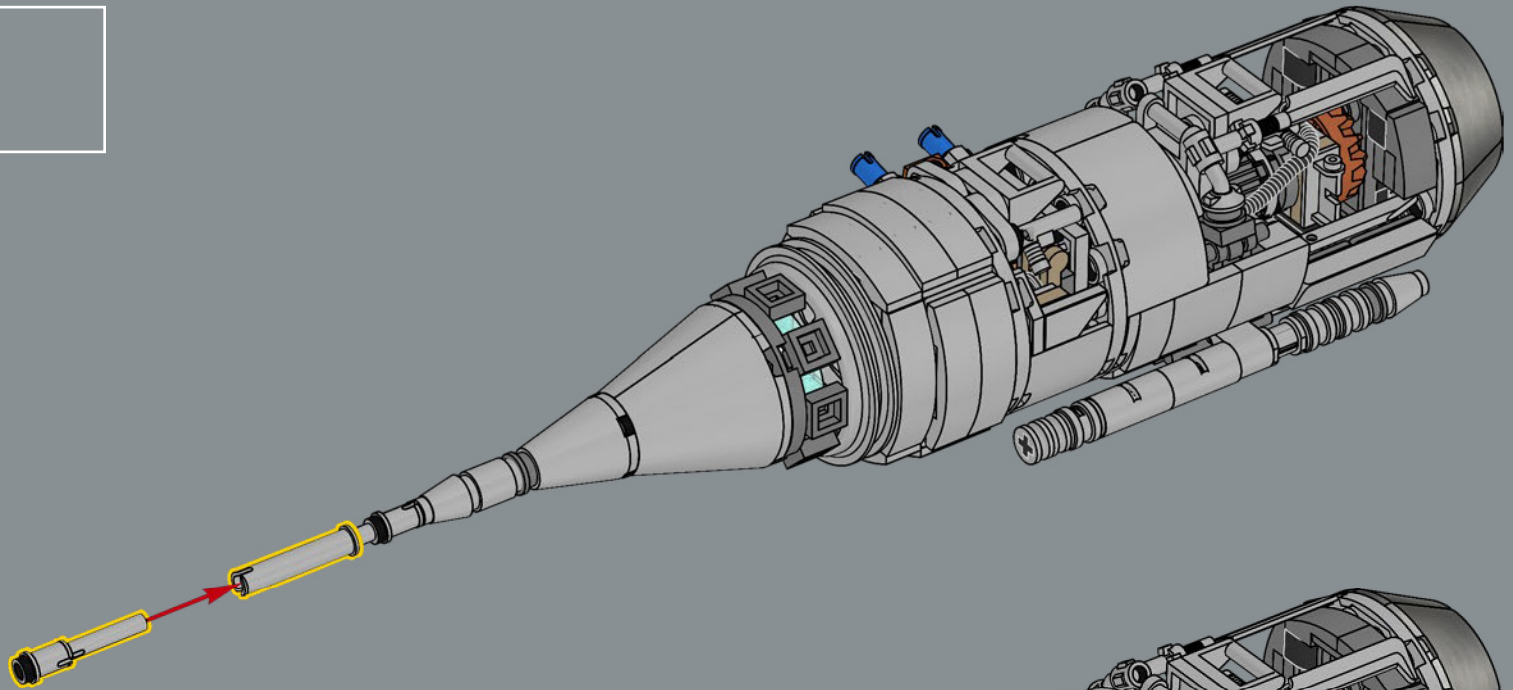


496

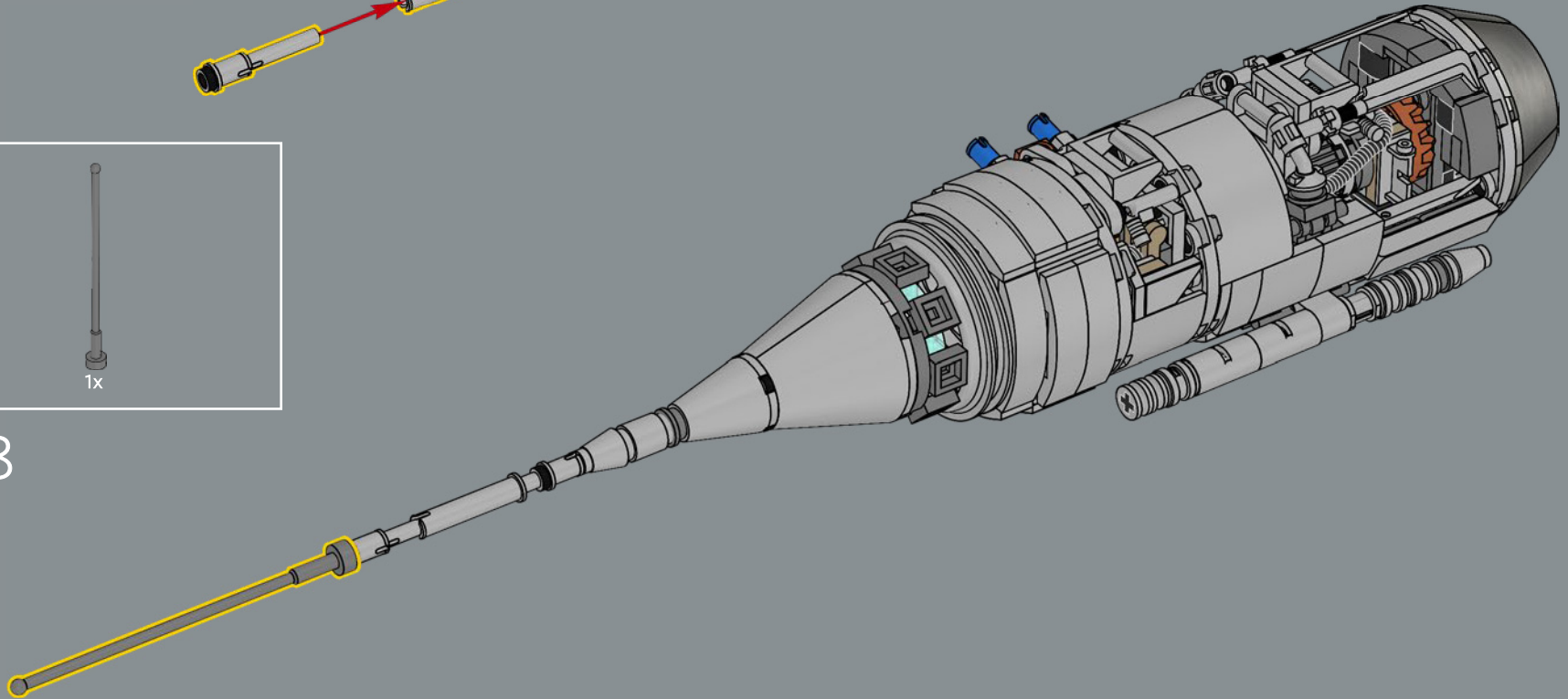




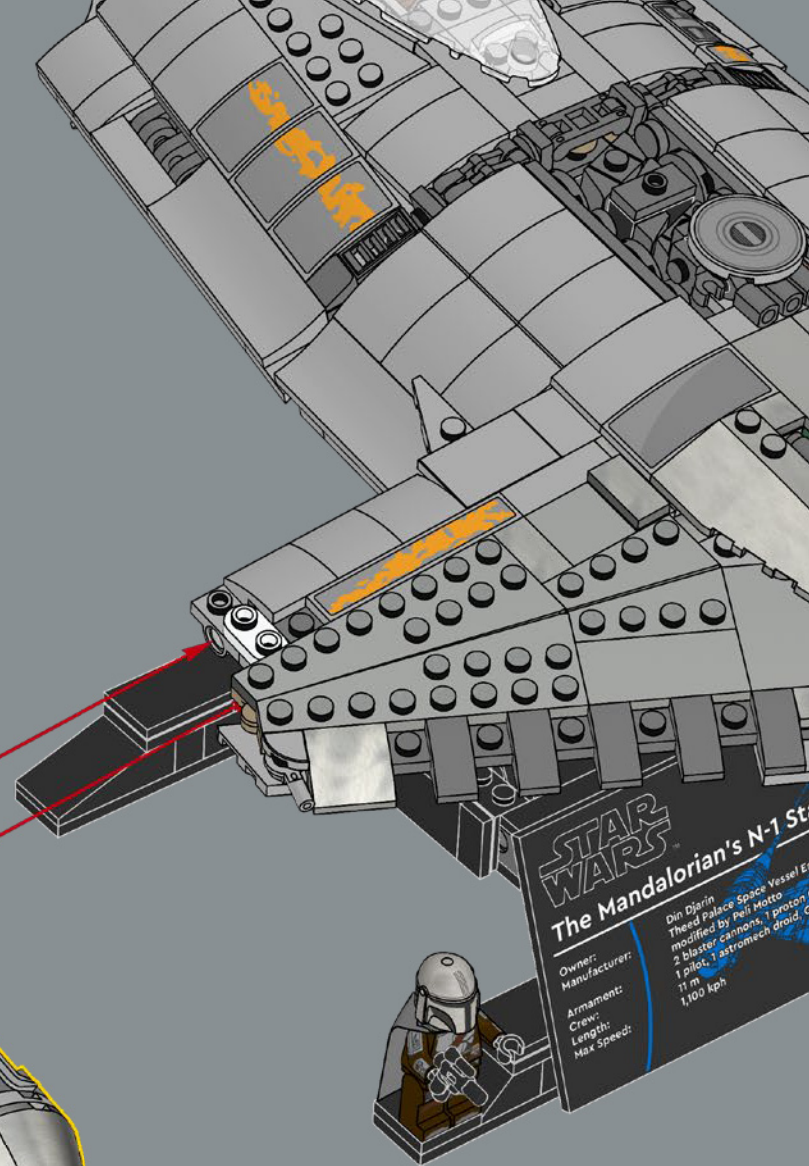
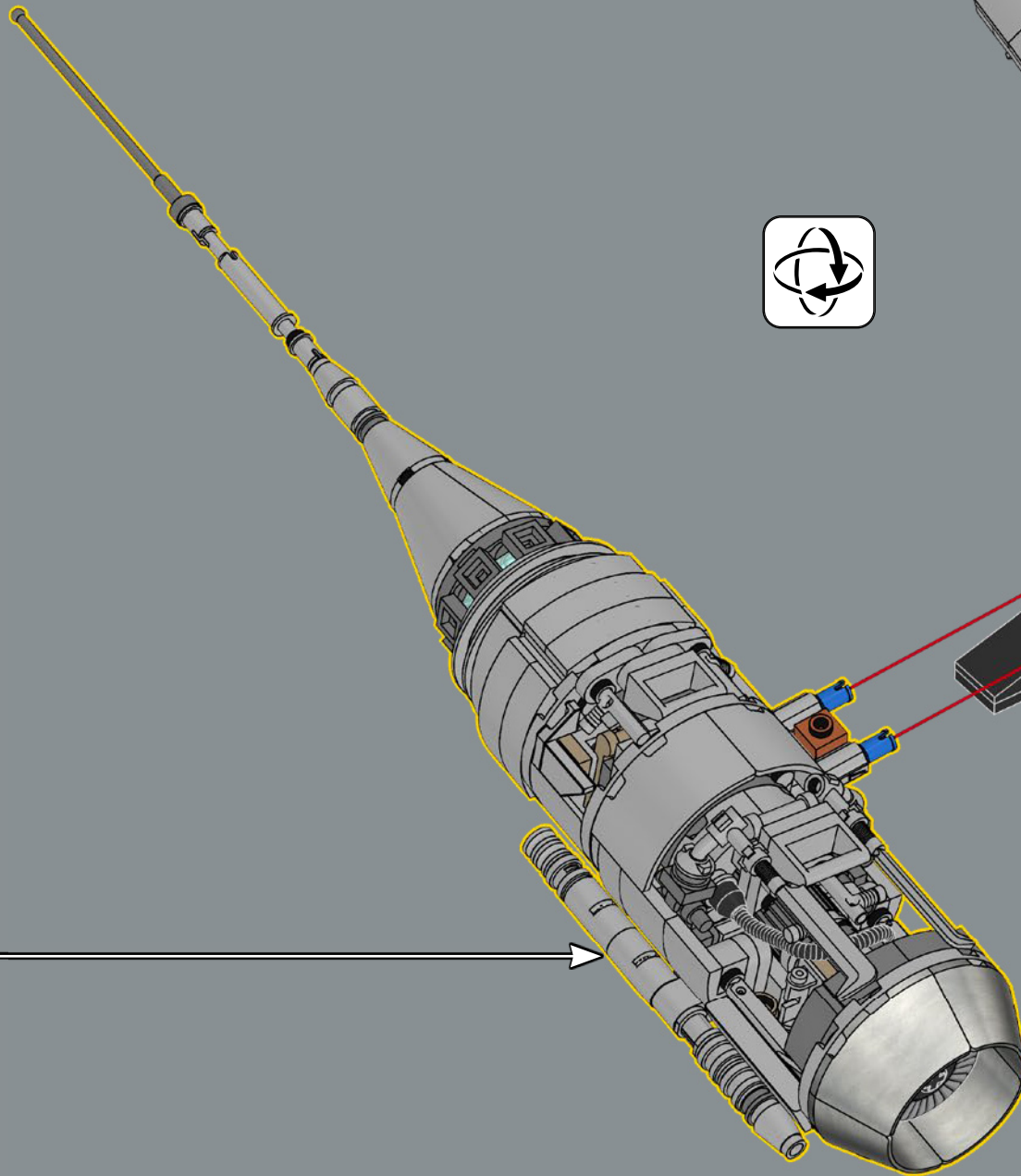
497



498



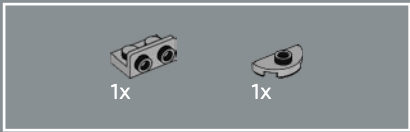
499



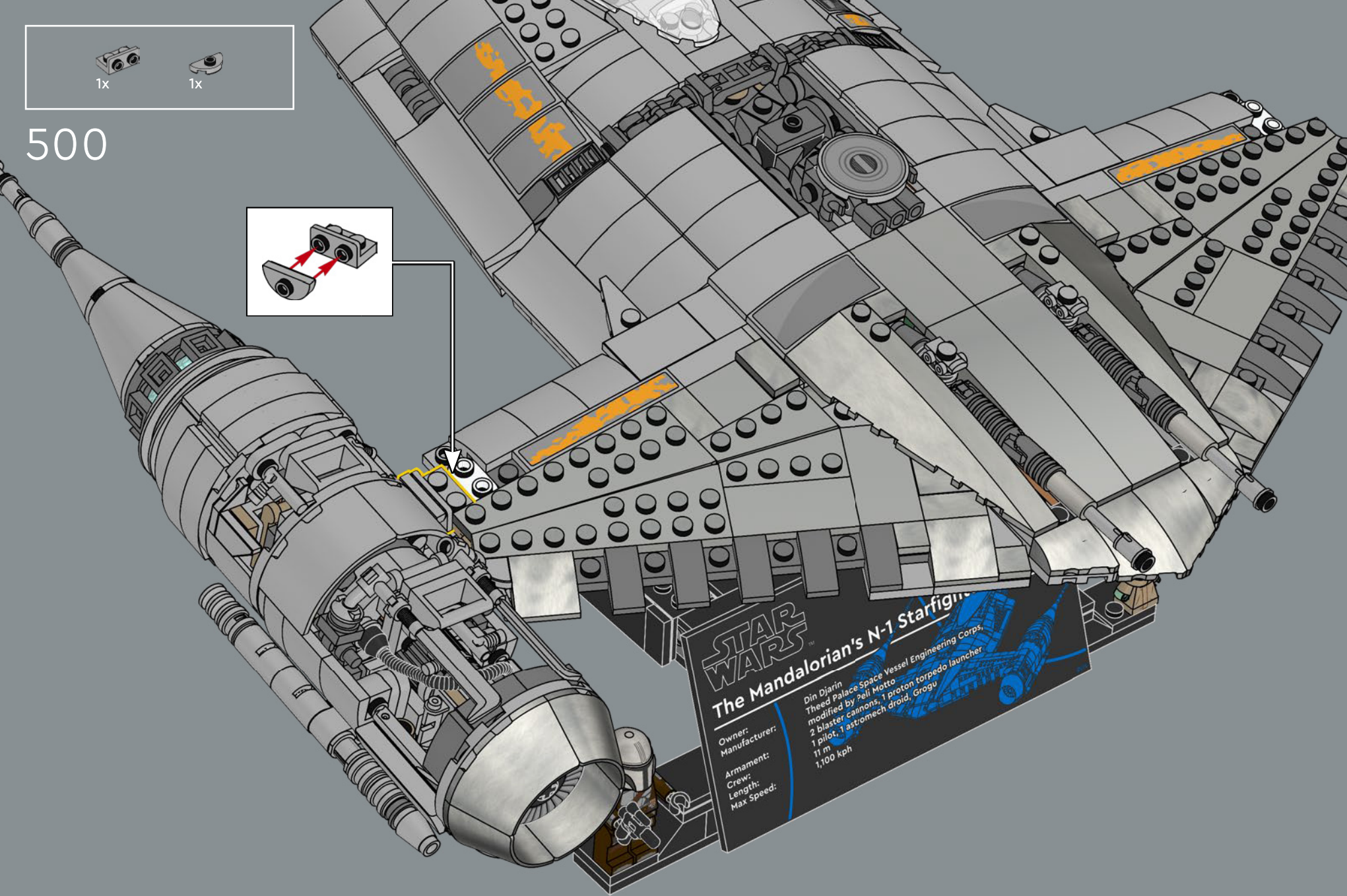
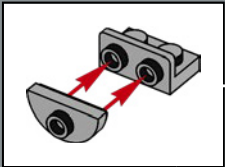
STAR WARS
The Mandalorian's N-1 Starline
Din Djarin
Theed Palace Space Vessel E
modified by Peli Motto
2 blaster cannons, 1 proton
1 pilot, 1 astromech droid,
11 m
1,100 kph

Owner:
Manufacturer:
Armament:
Crew:
Length:
Max Speed:





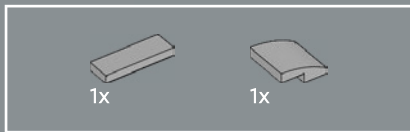
500



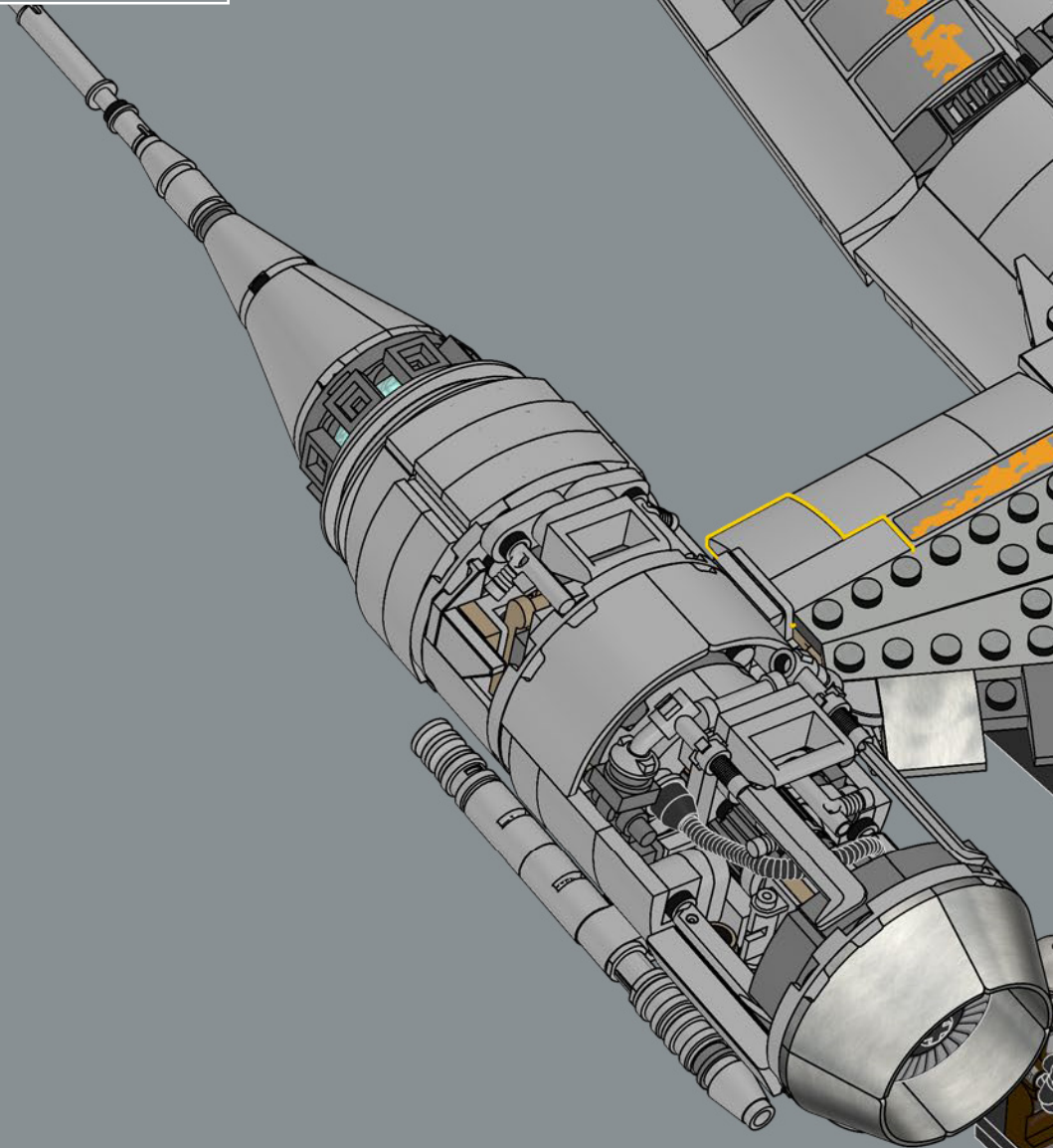
STAR WARS

The Mandalorian's N-1 Starfighter

Din Djarin
 Theed Palace Space Vessel Engineering Corps,
 modified by Peli Motto
 2 blaster cannons, 1 proton torpedo launcher
 1 pilot, 1 astromech droid, Grogu
 11 m
 1,100 kph



501



STAR WARS™
The Mandalorian's N-1 Starfighter

Din Djarin
Theed Palace Space Vessel Engineering Corps,
modified by Peli Motto

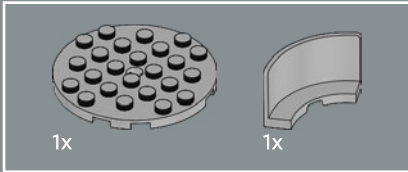
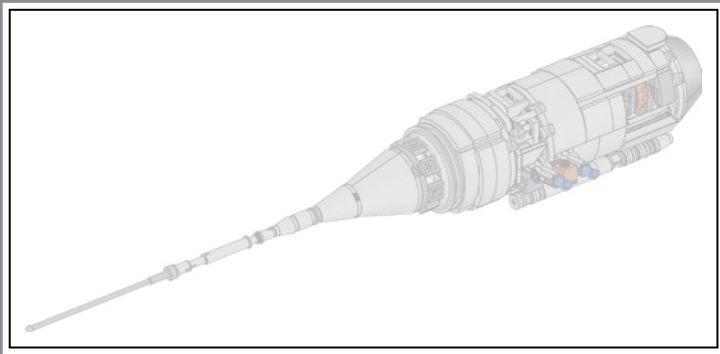
Owner:
Manufacturer:

Armament:
Crew:
Length:
Max Speed:

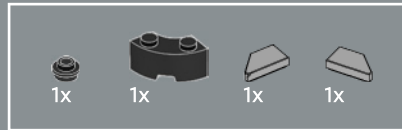
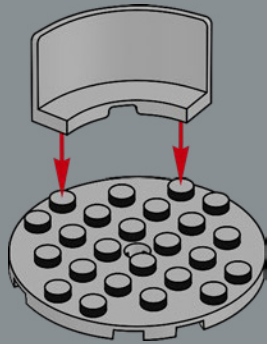
2 blaster cannons, 1 proton torpedo launcher
1 pilot, 1 astromech droid, Grogu
11 m
1,100 kph



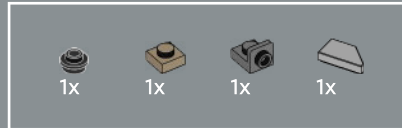
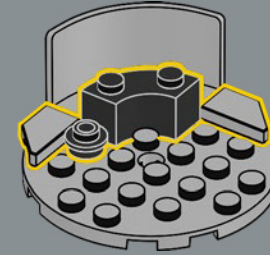




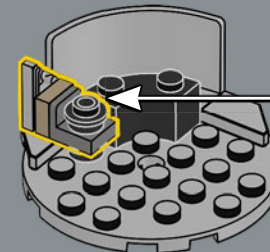
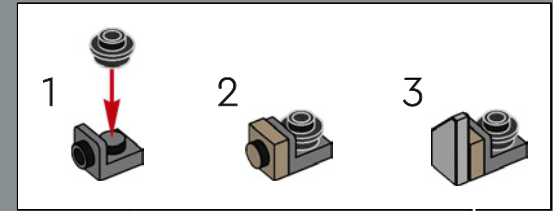
502



503

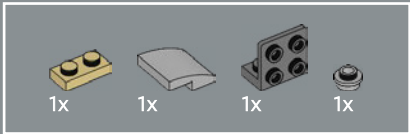
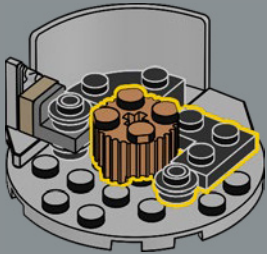


504

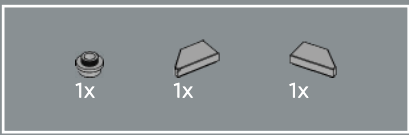
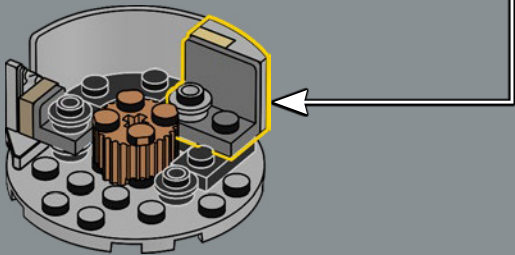
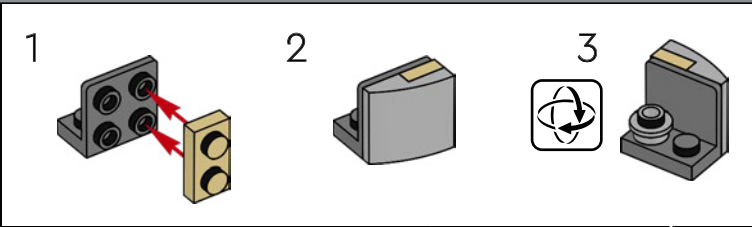




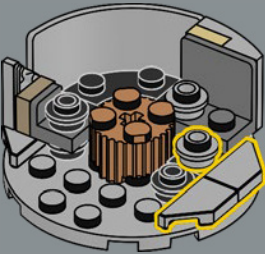
505



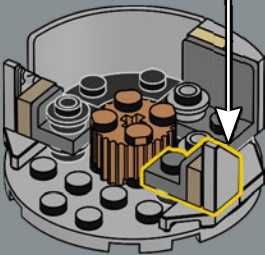
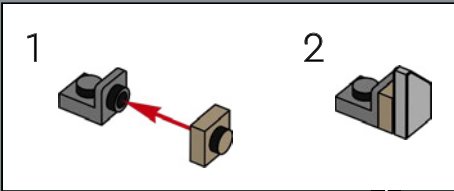
506



507

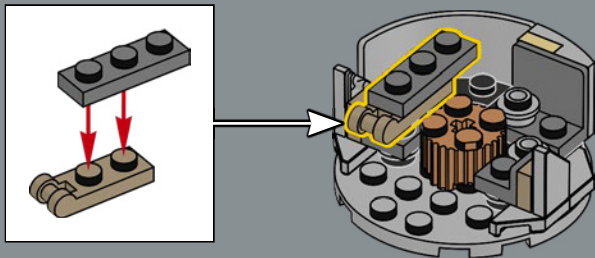


508

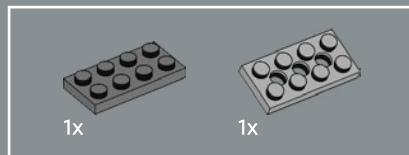
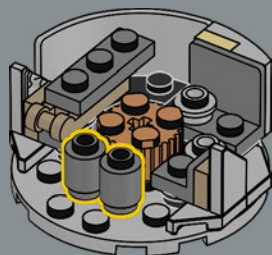




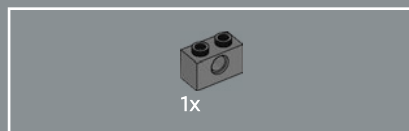
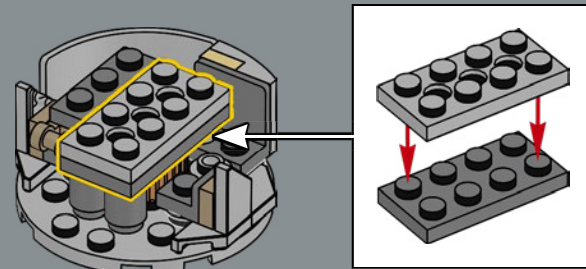
509



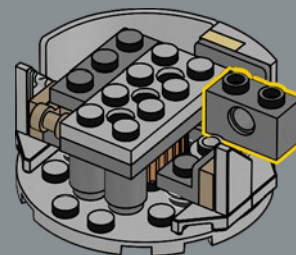
510



511

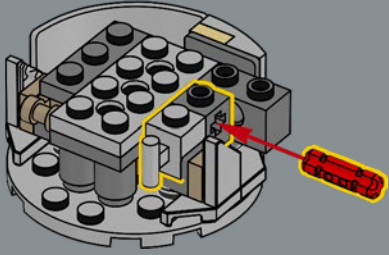


512

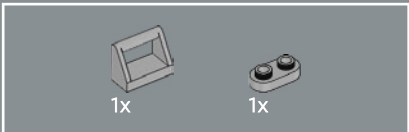
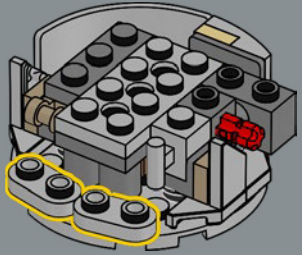




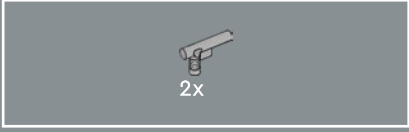
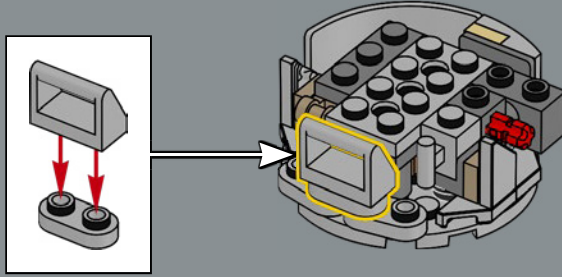
513



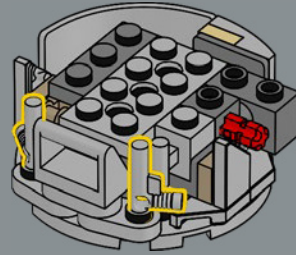
514

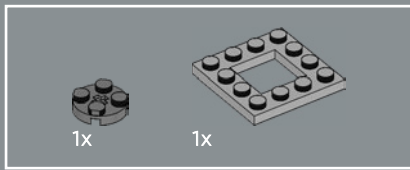


515

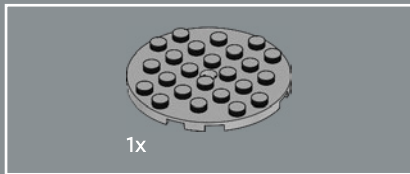
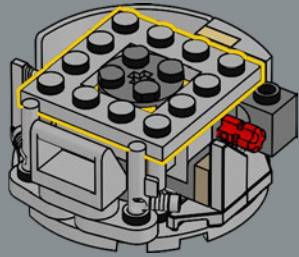


516

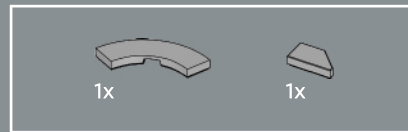
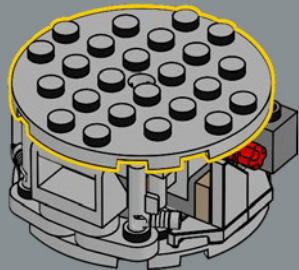




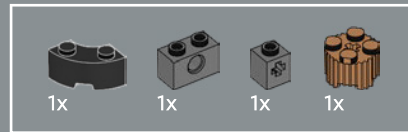
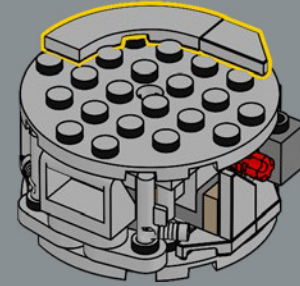
517



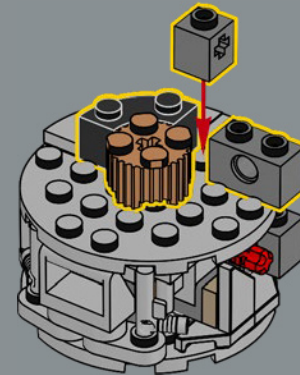
518

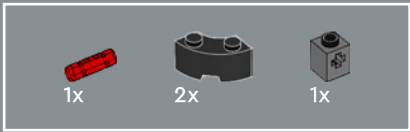


519

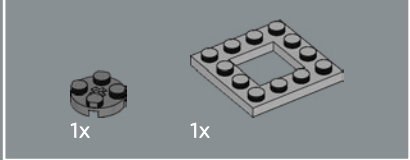
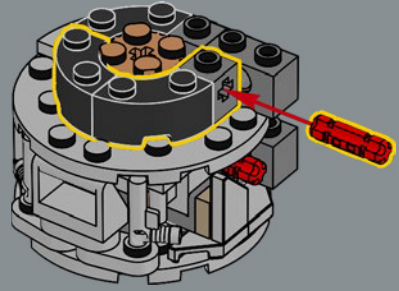


520

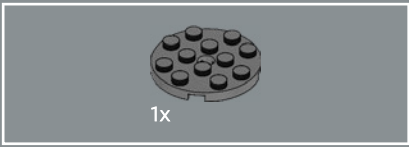
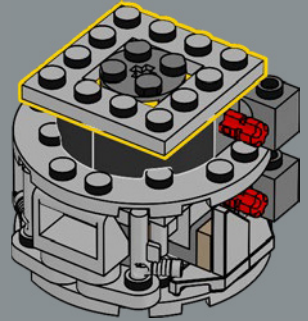




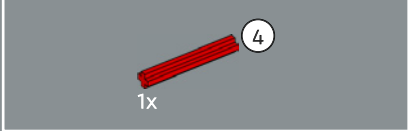
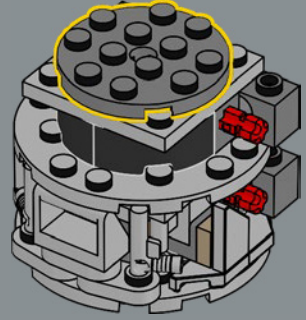
521



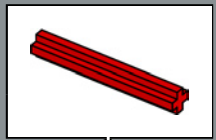
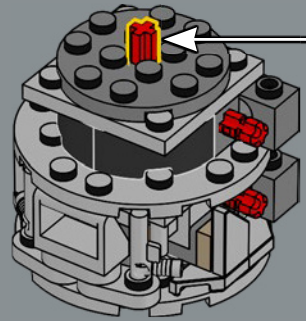
522

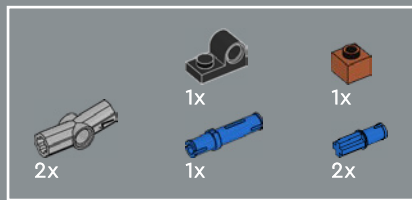


523

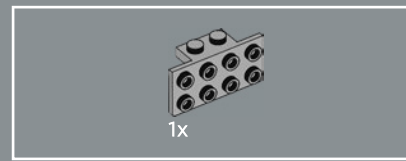
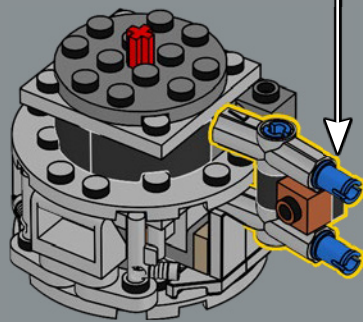
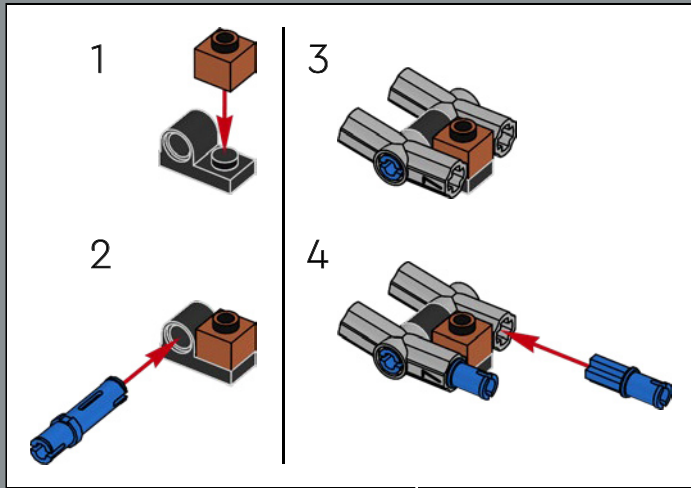


524

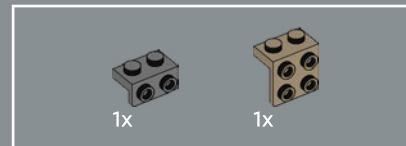
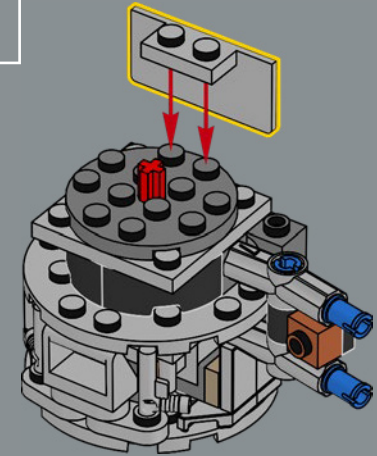




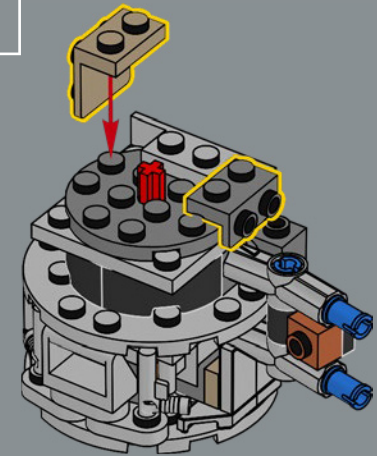
525

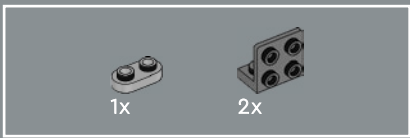


526

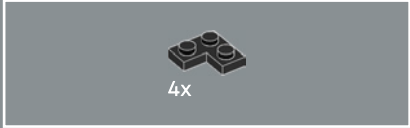
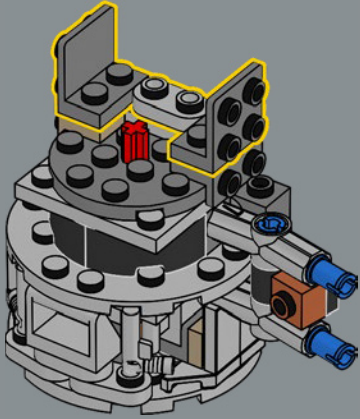


527

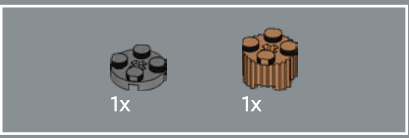
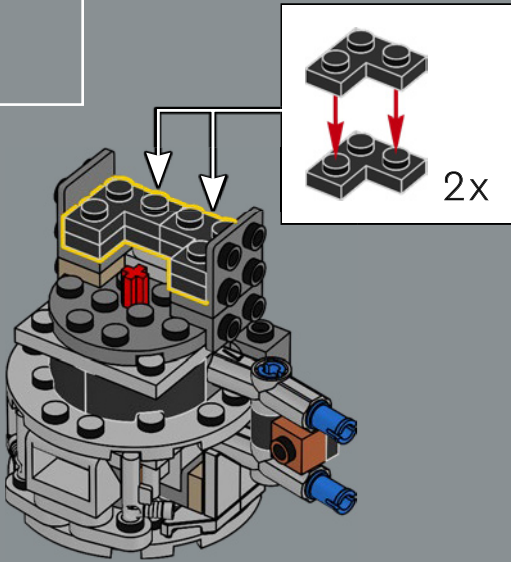




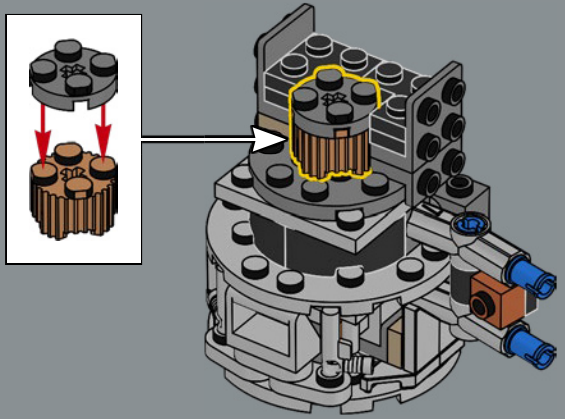
528



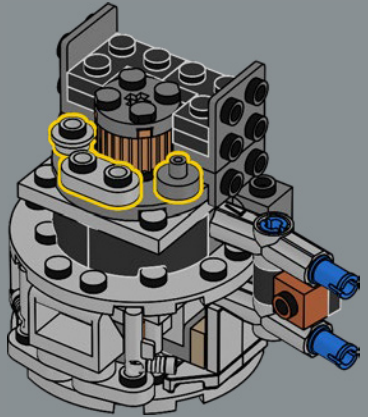
529

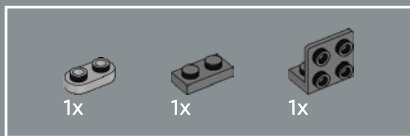


530

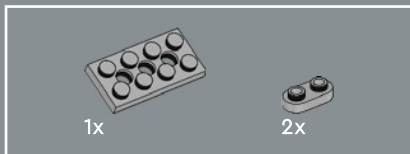
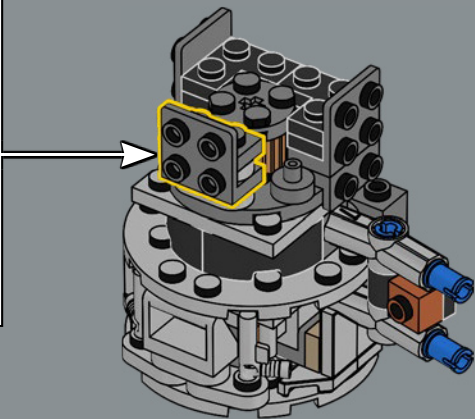
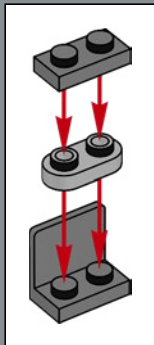


531

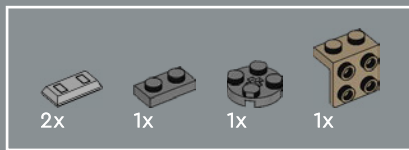
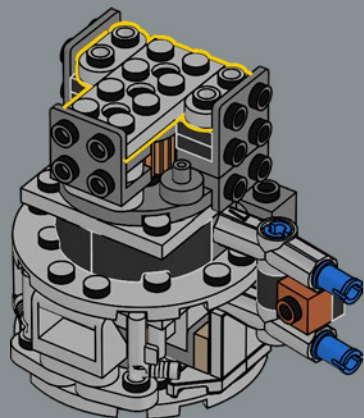




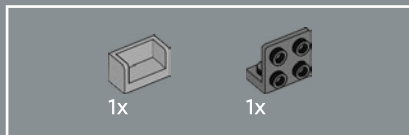
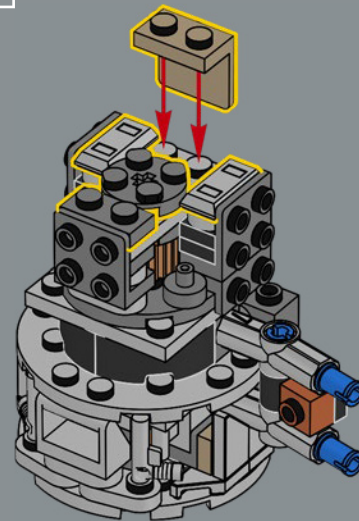
532



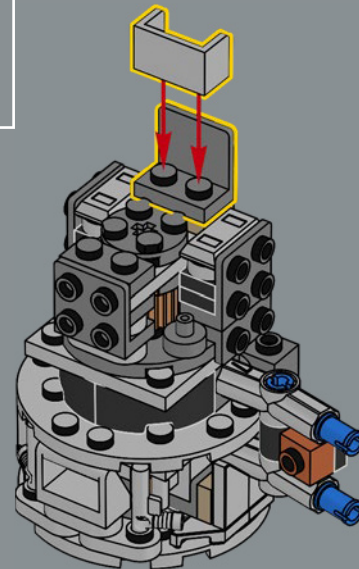
533

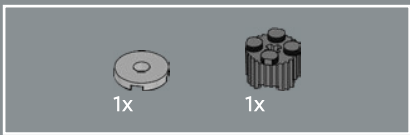


534

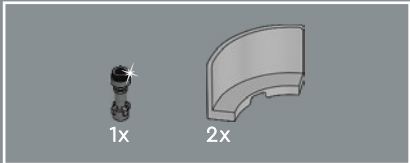
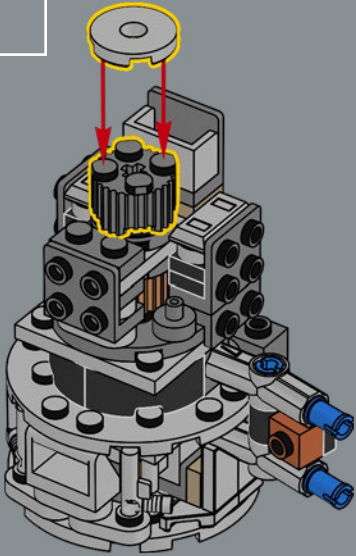


535

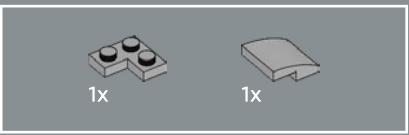
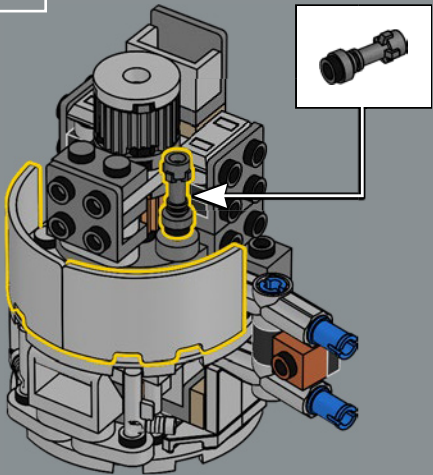




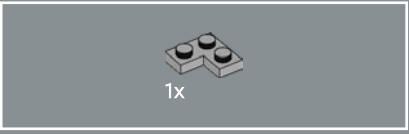
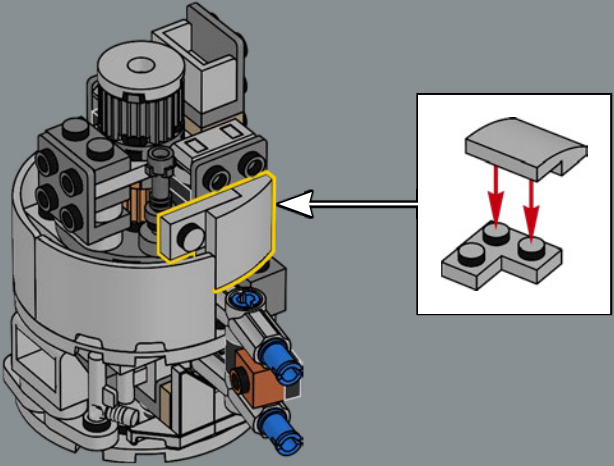
536



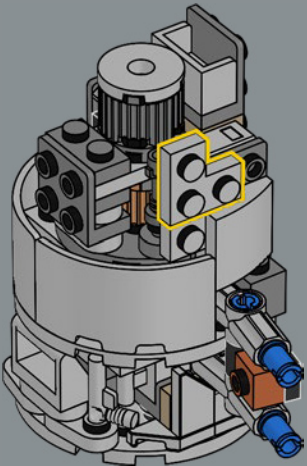
537

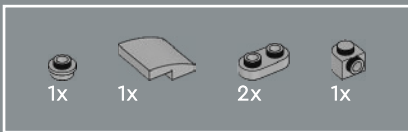


538

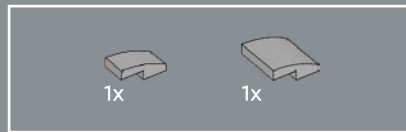
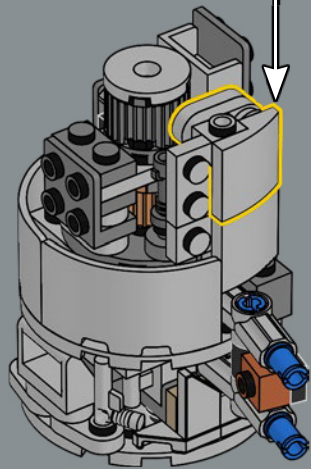
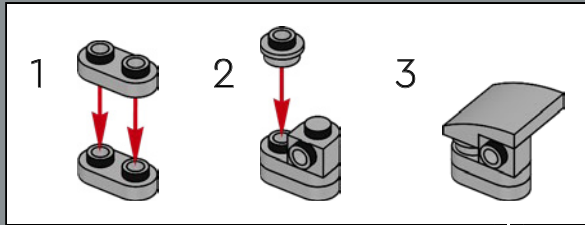


539

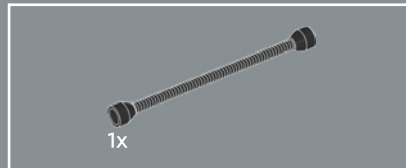
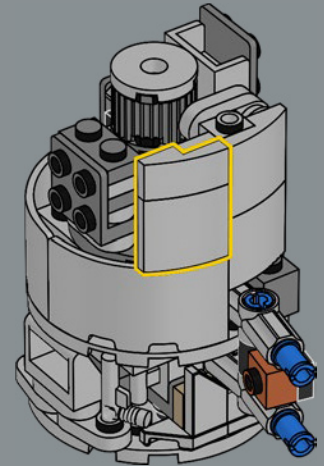




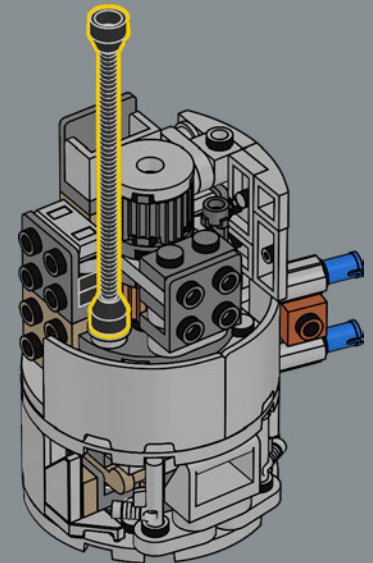
540

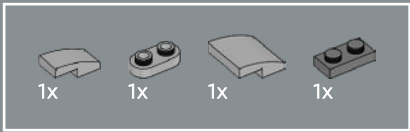


541

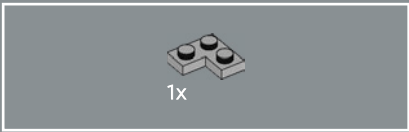
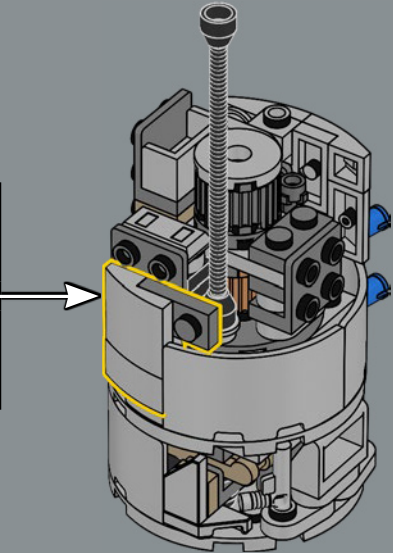
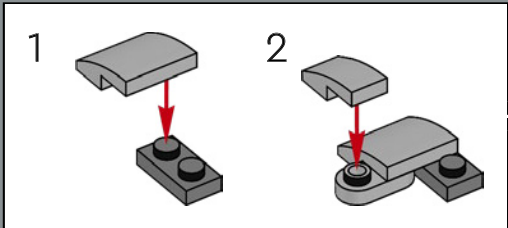


542

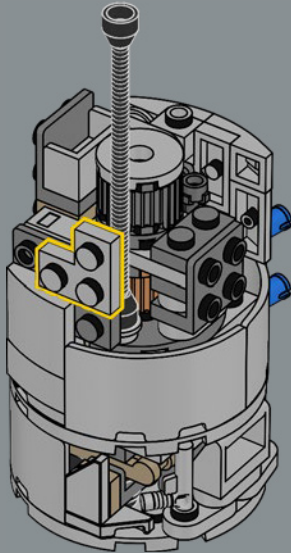


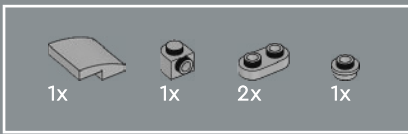


543

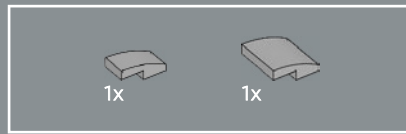
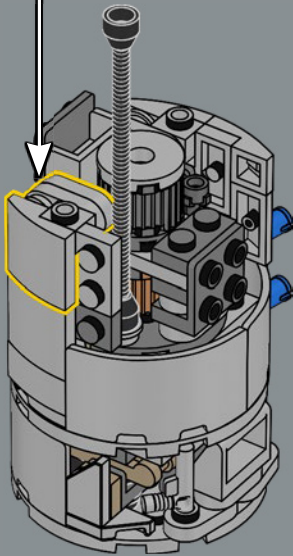
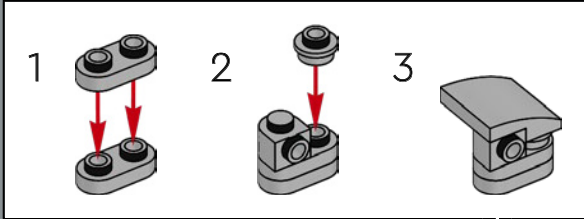


544

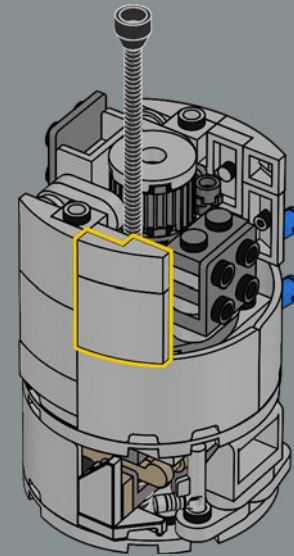


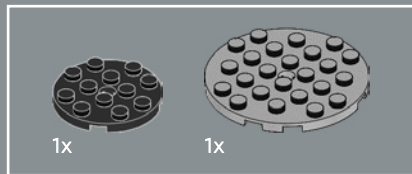
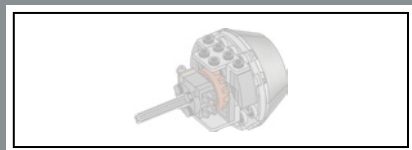


545

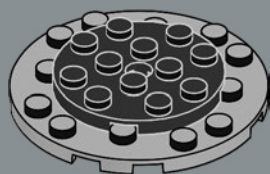


546

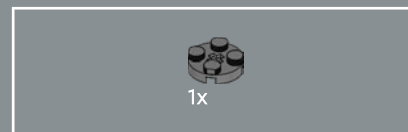
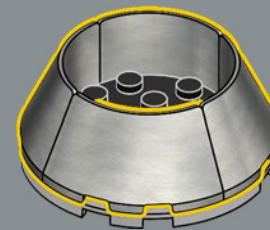




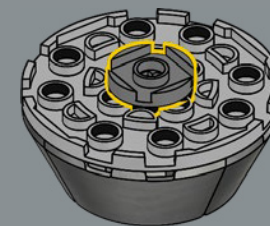
547

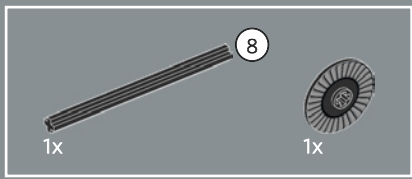


548

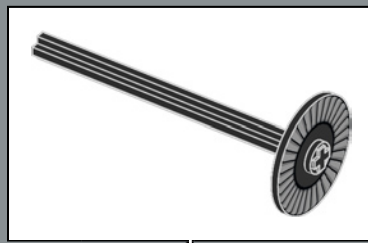
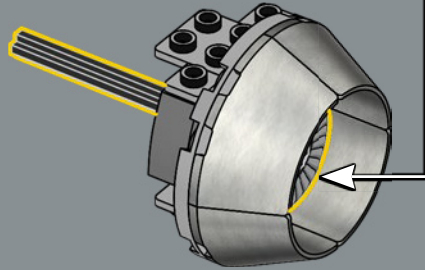


549

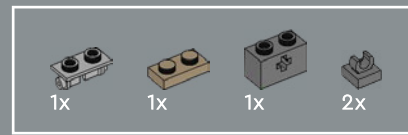
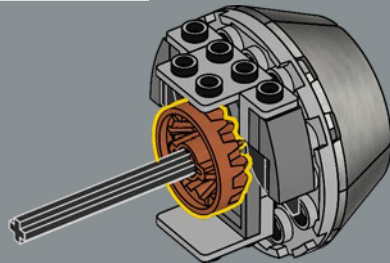




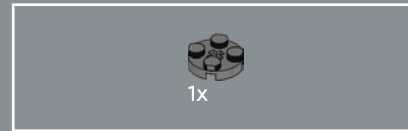
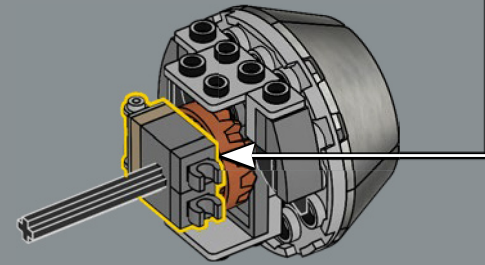
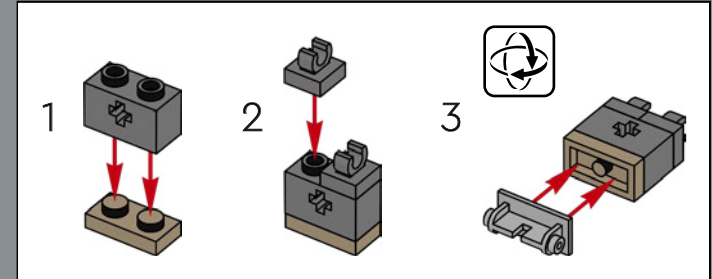
554



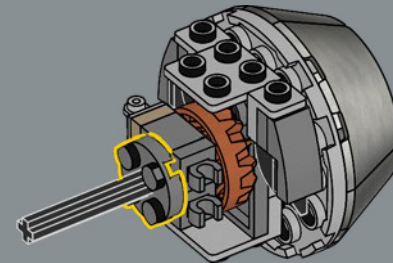
555



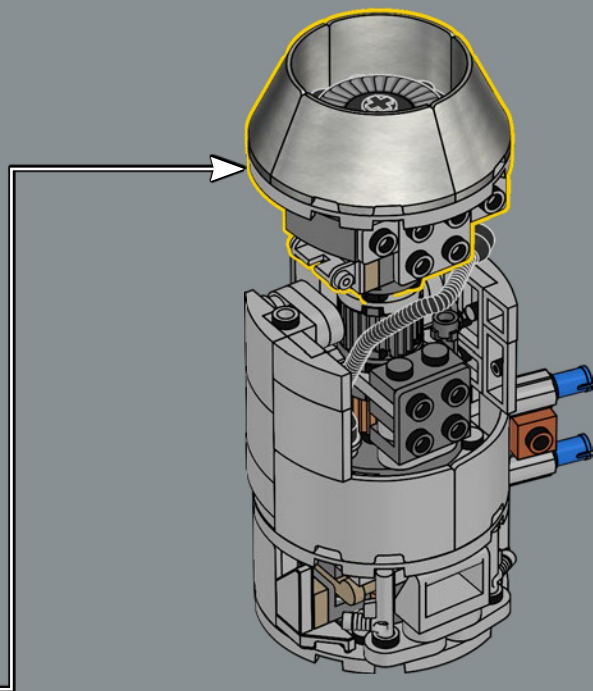
556



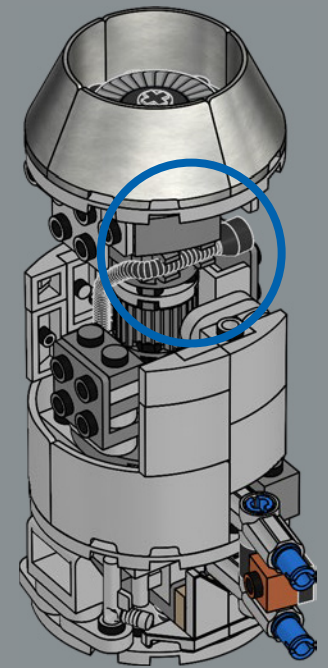
557

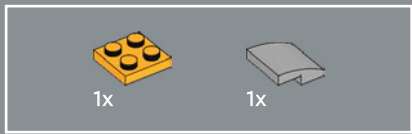


558

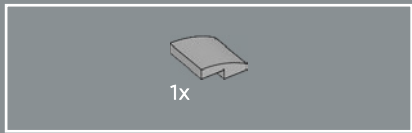
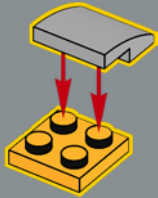


559

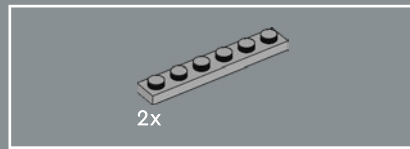
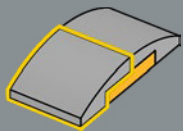




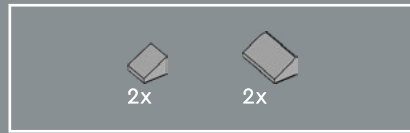
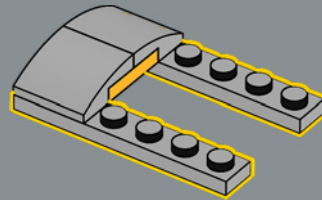
560



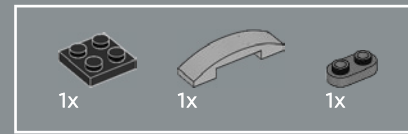
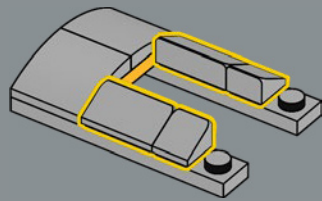
561



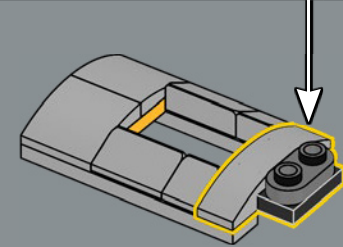
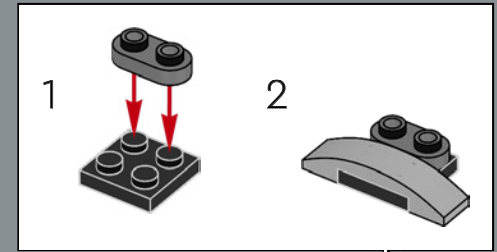
562



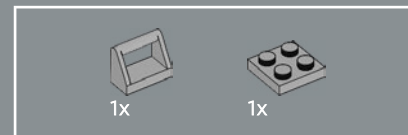
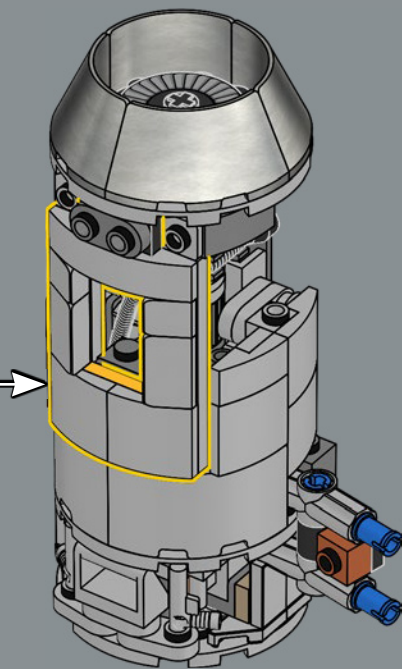
563



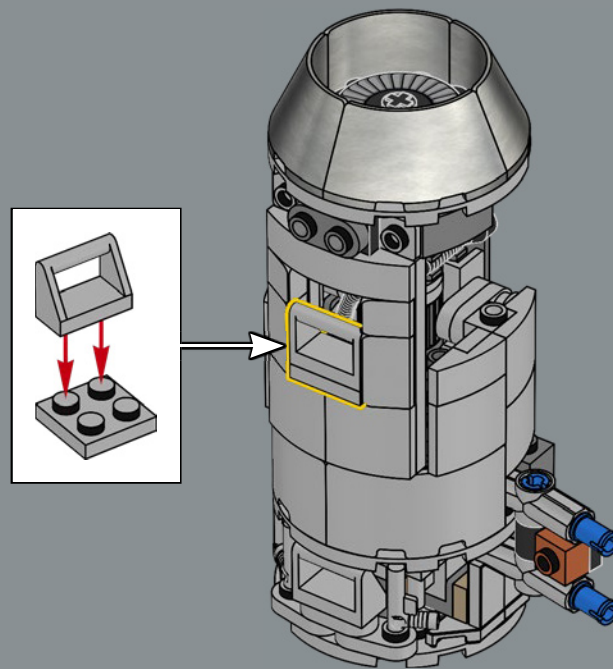
564

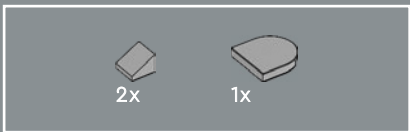


565

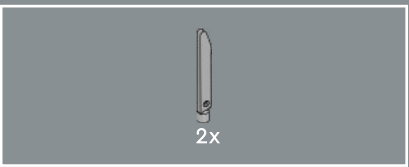
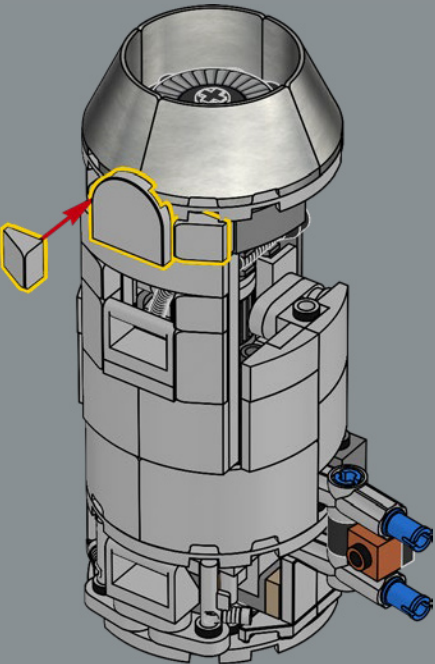


566

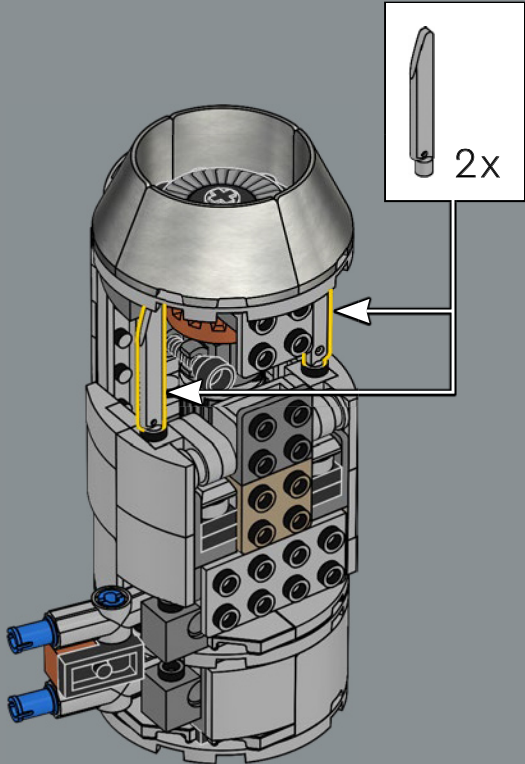


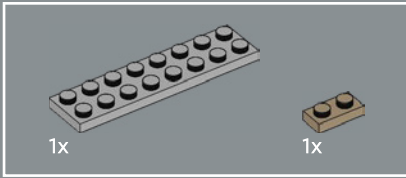
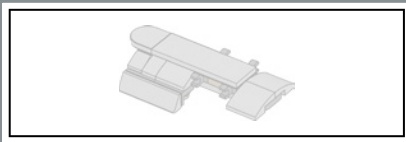


567

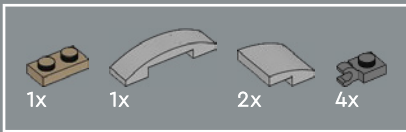
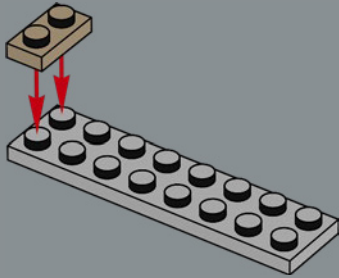


568

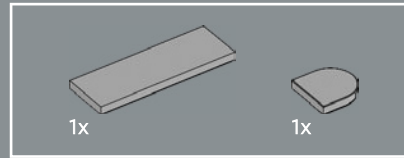
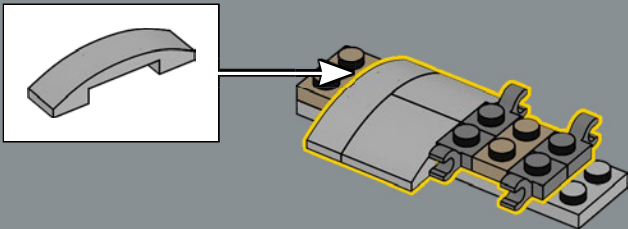




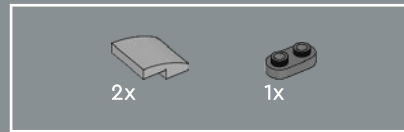
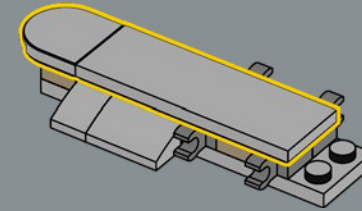
569



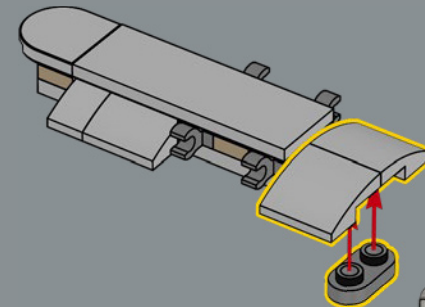
570

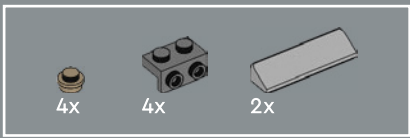


571

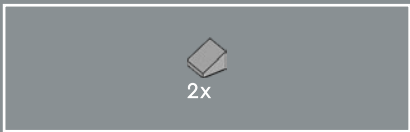
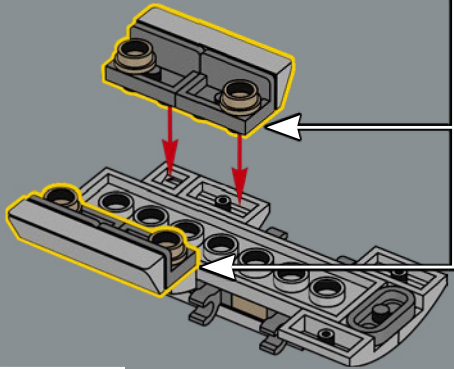
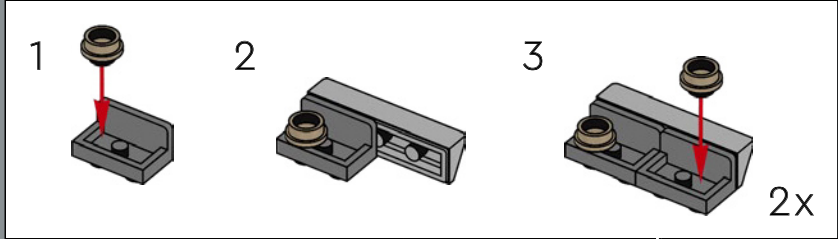


572

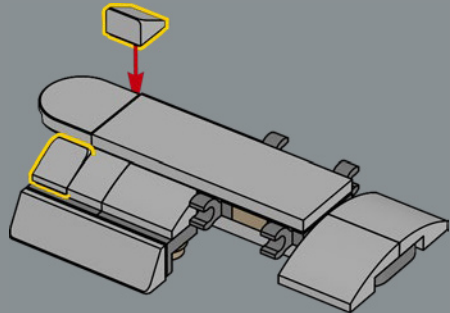




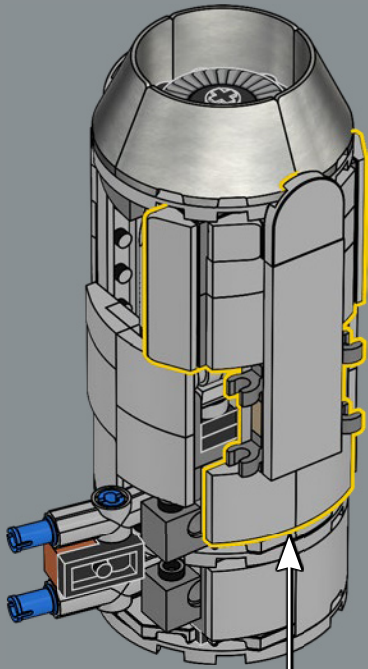
573

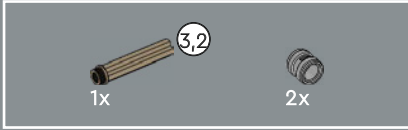
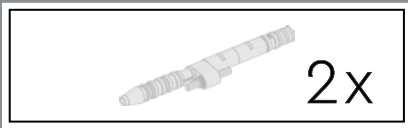


574

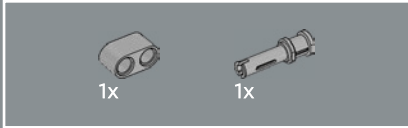
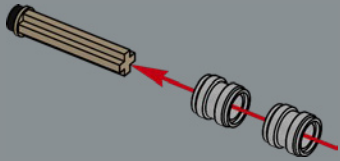


575

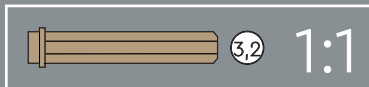
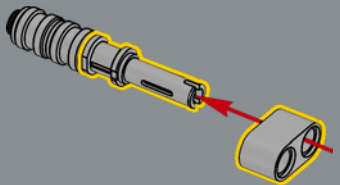




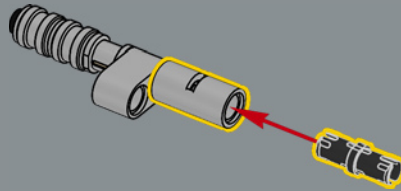
576



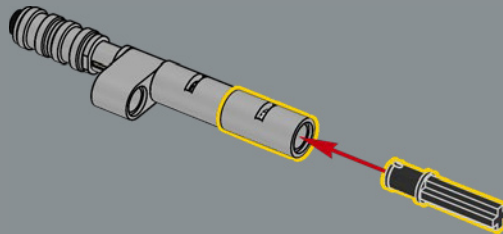
577



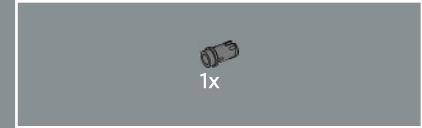
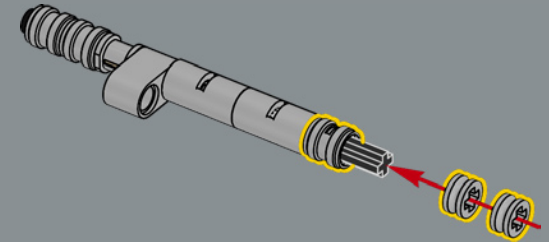
578



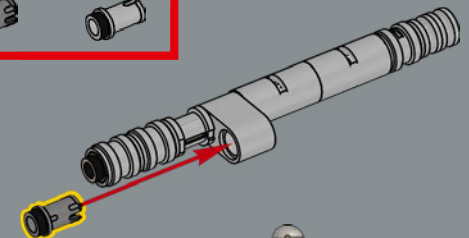
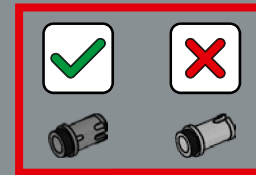
579

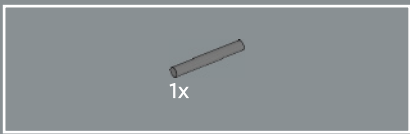


580

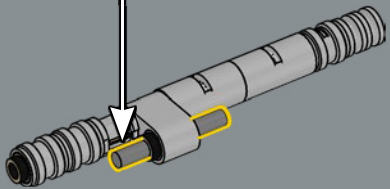
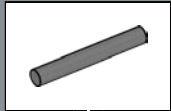


581

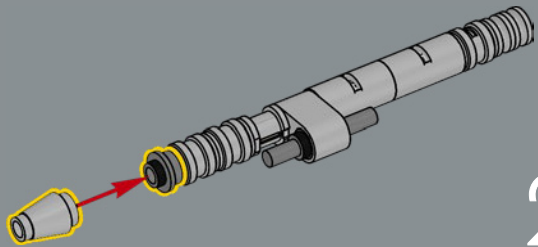




582

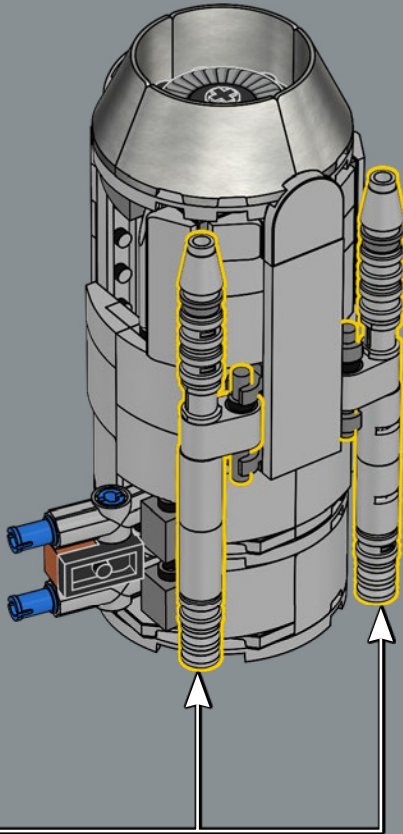


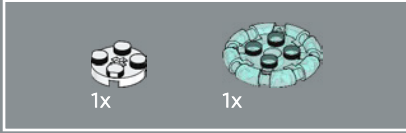
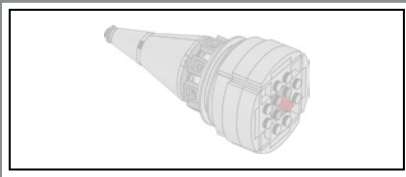
583



2x

584

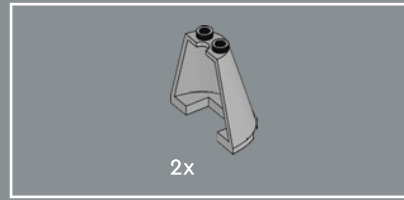




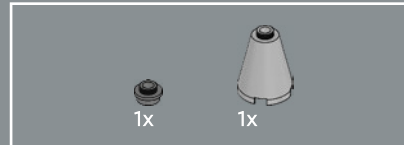
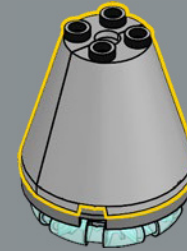
585



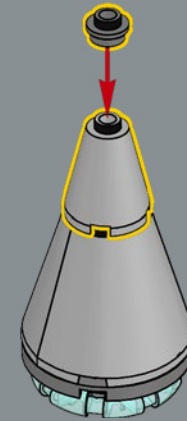
586

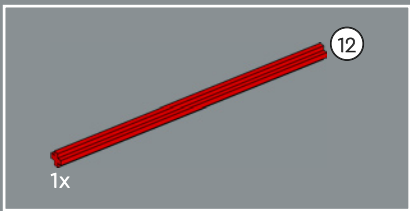


587

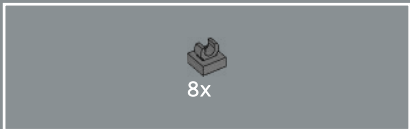
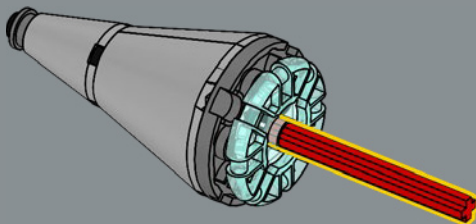


588

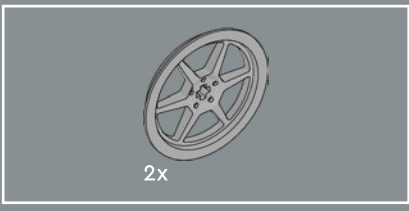
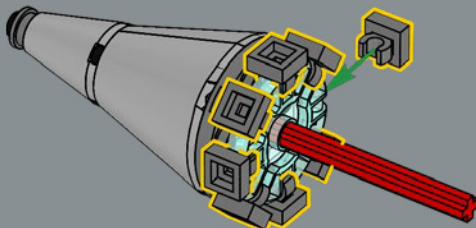




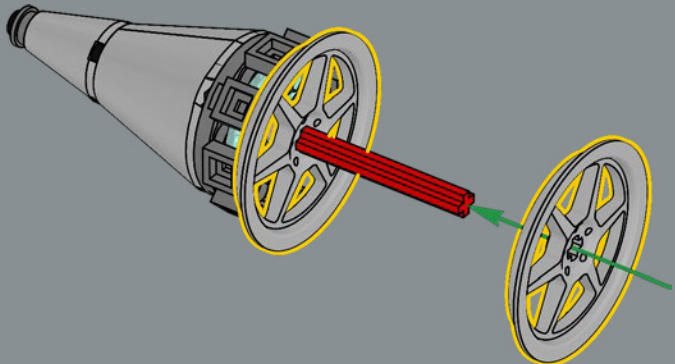
589

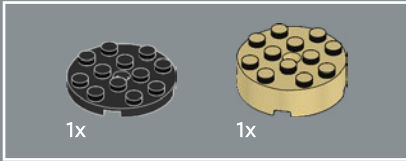
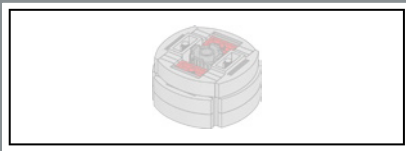


590

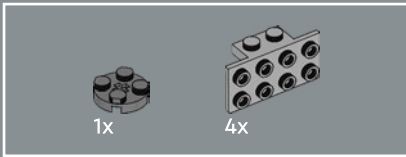
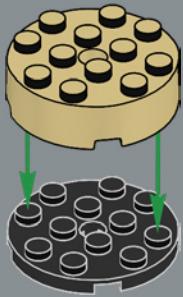


591

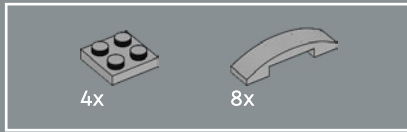
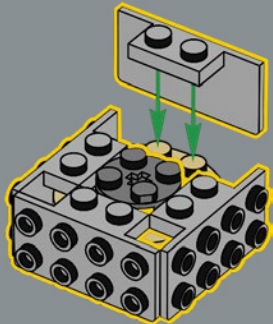




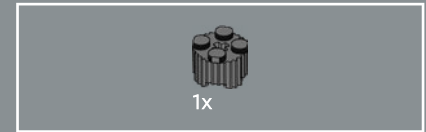
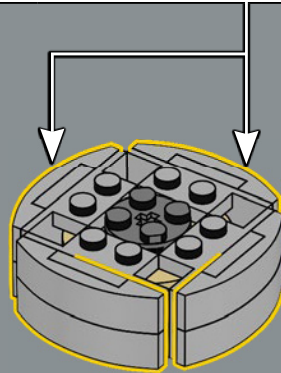
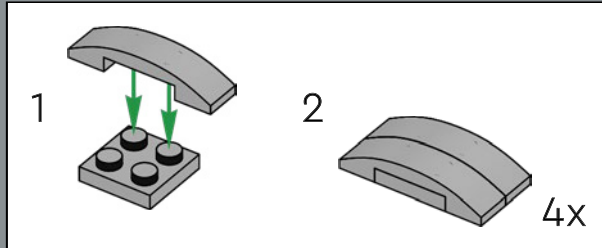
592



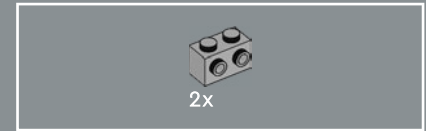
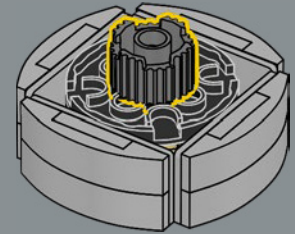
593



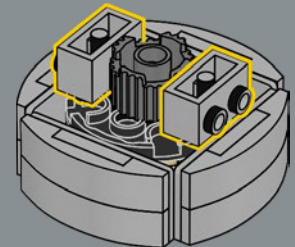
594

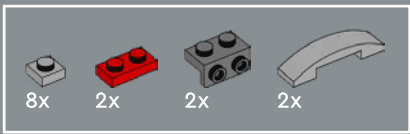


595

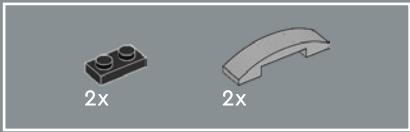
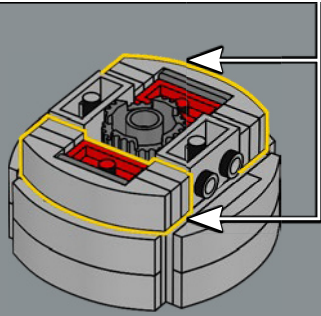
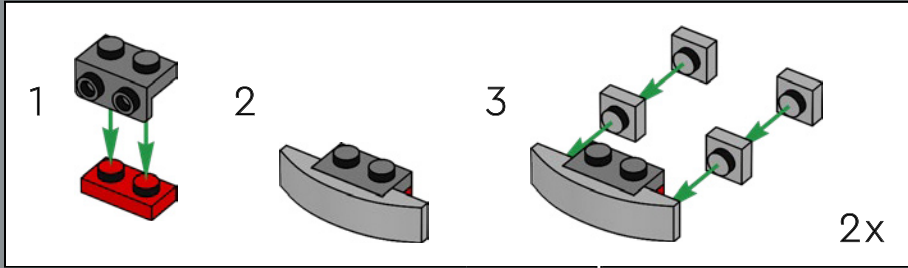


596

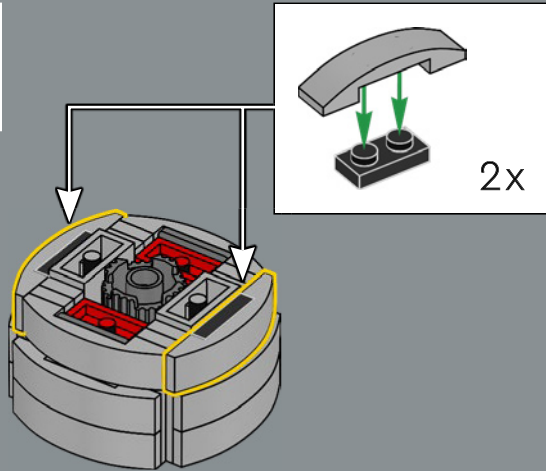




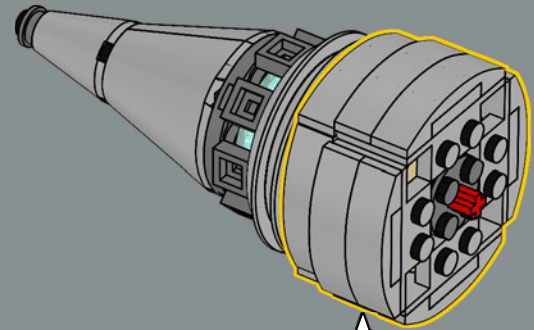
597



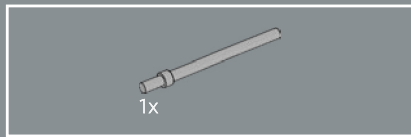
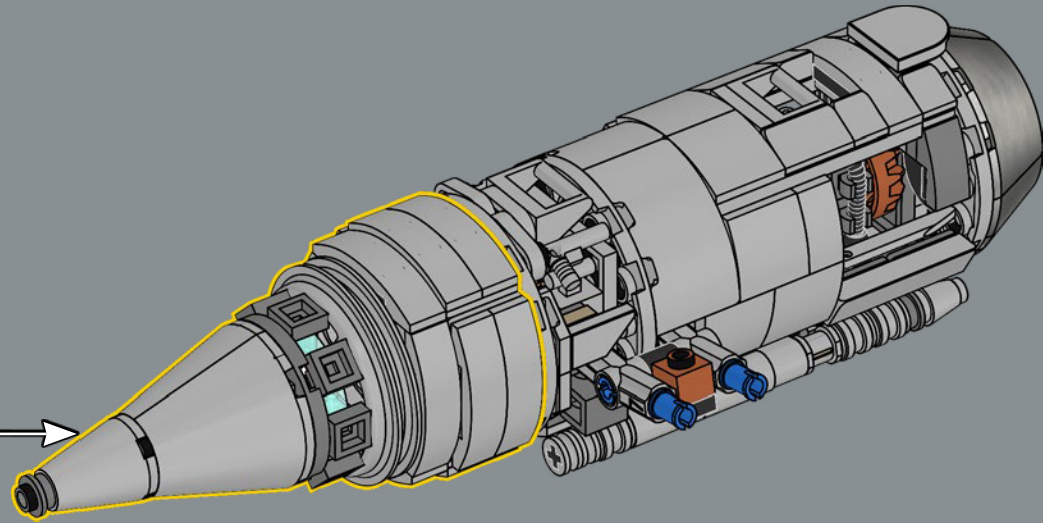
598



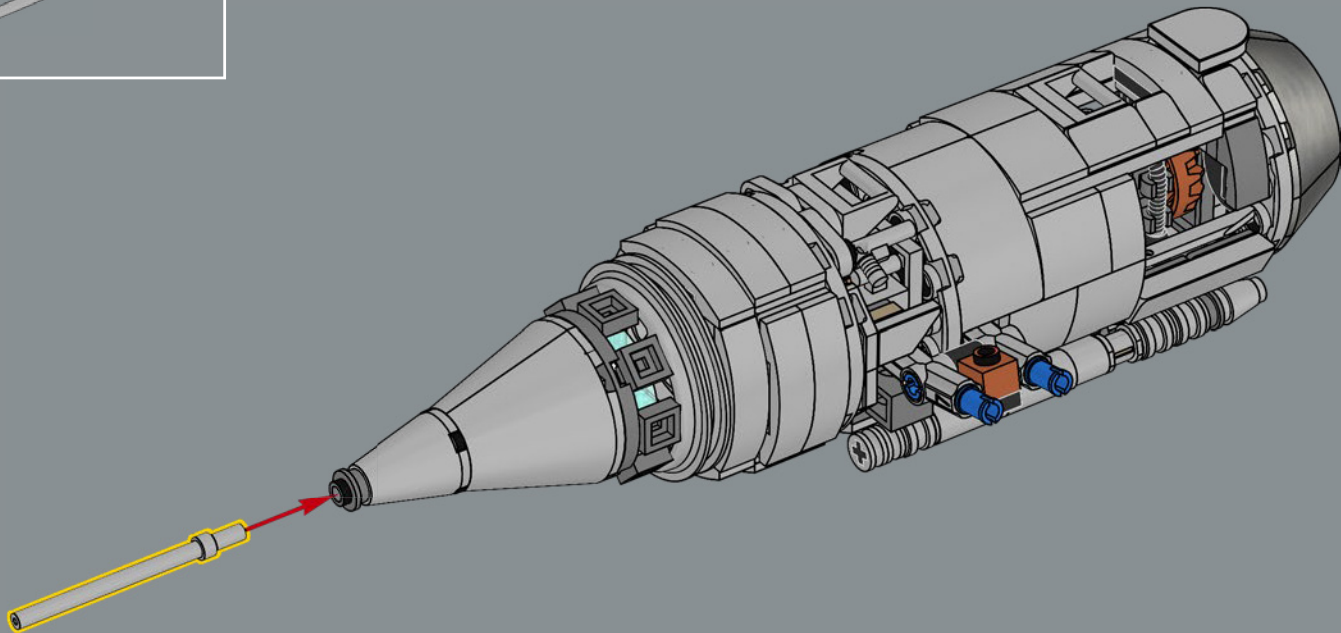
599

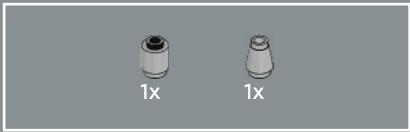


600

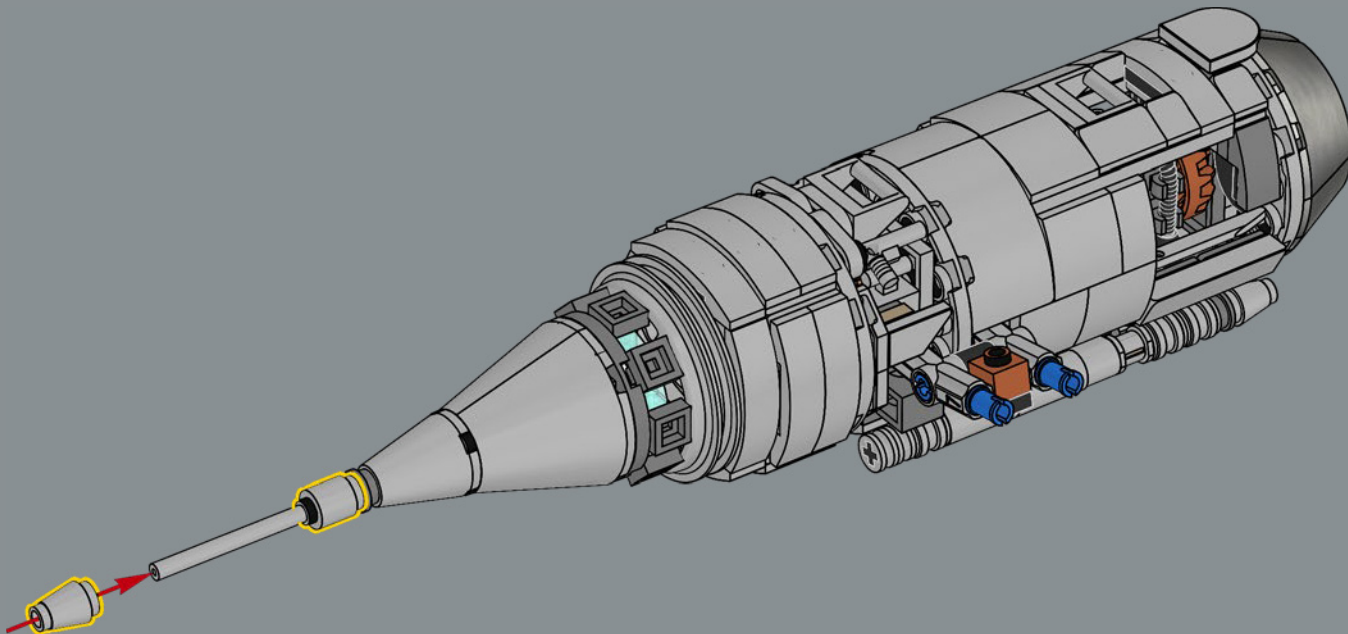


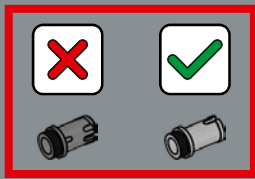
601



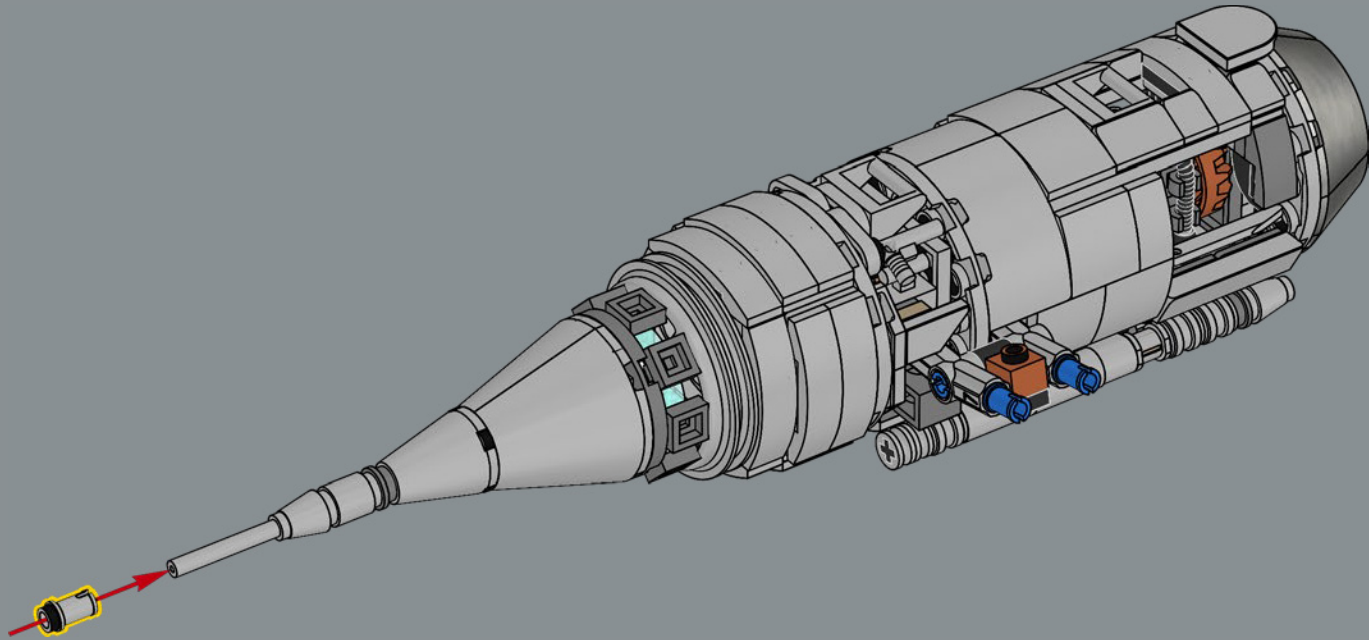


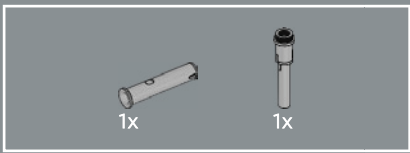
602



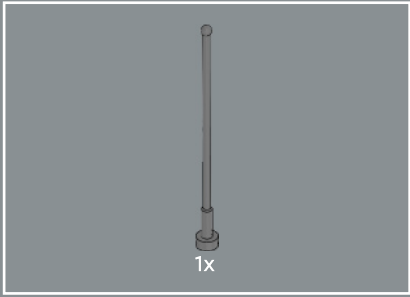
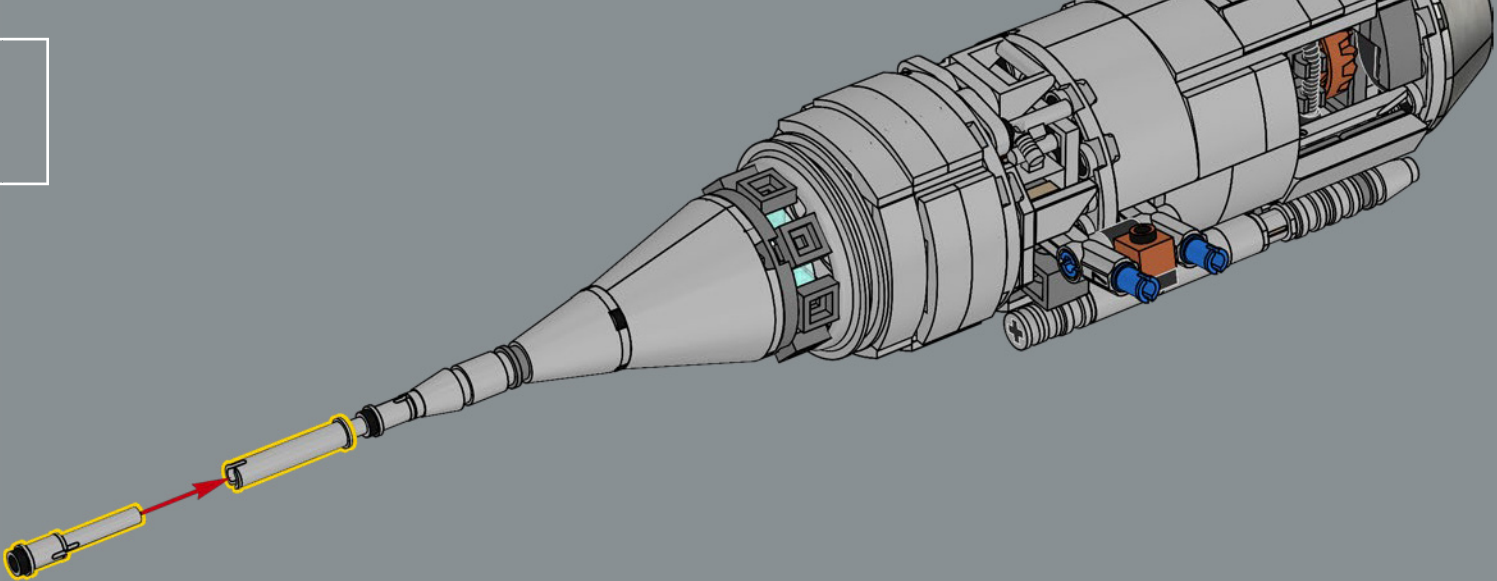


603

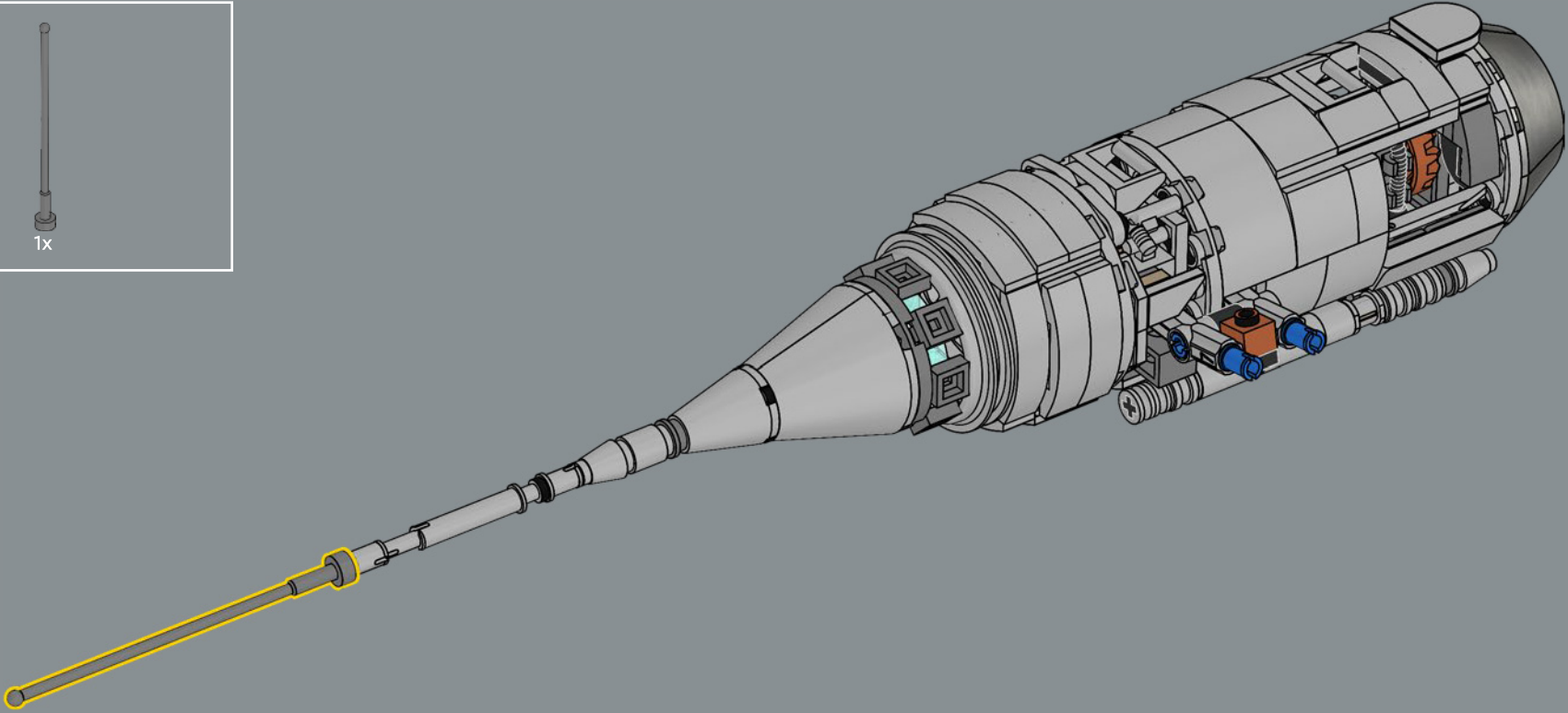




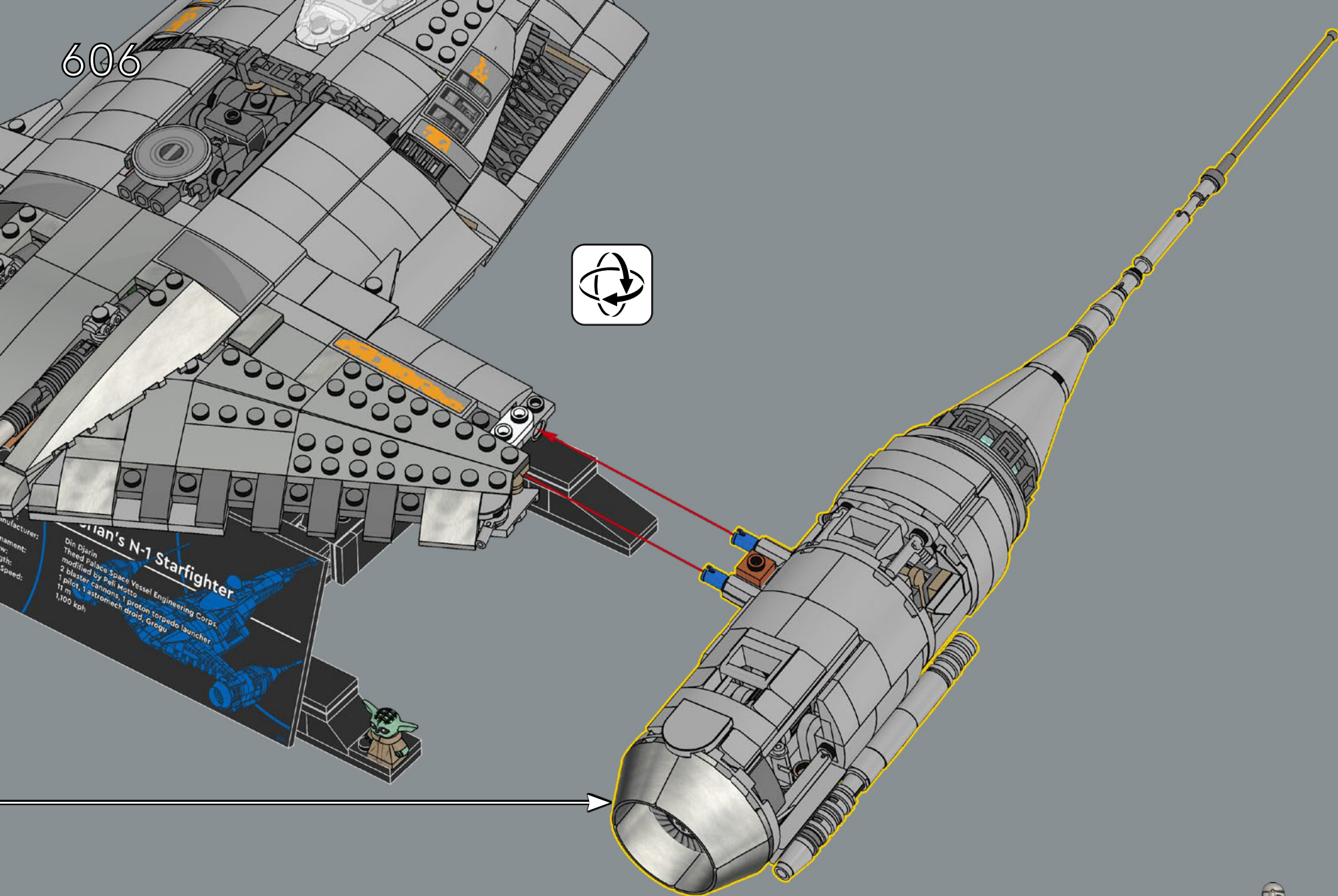
604



605



606



Manufacturer:
Name:
Length:
Speed:
Manufacturer:
Name:
Length:
Speed:

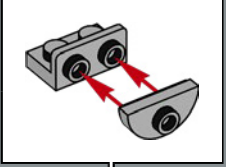
Darth Vader's N-1 Starfighter

Din Djarin
Theed Palace Space Vessel Engineering Corps.
modified by Pelli Motto
2 blaster cannons, 1 proton torpedo launcher
1 pilot, 1 astromech droid, Groggu
1,100 kph





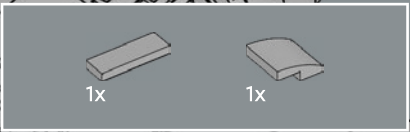
607



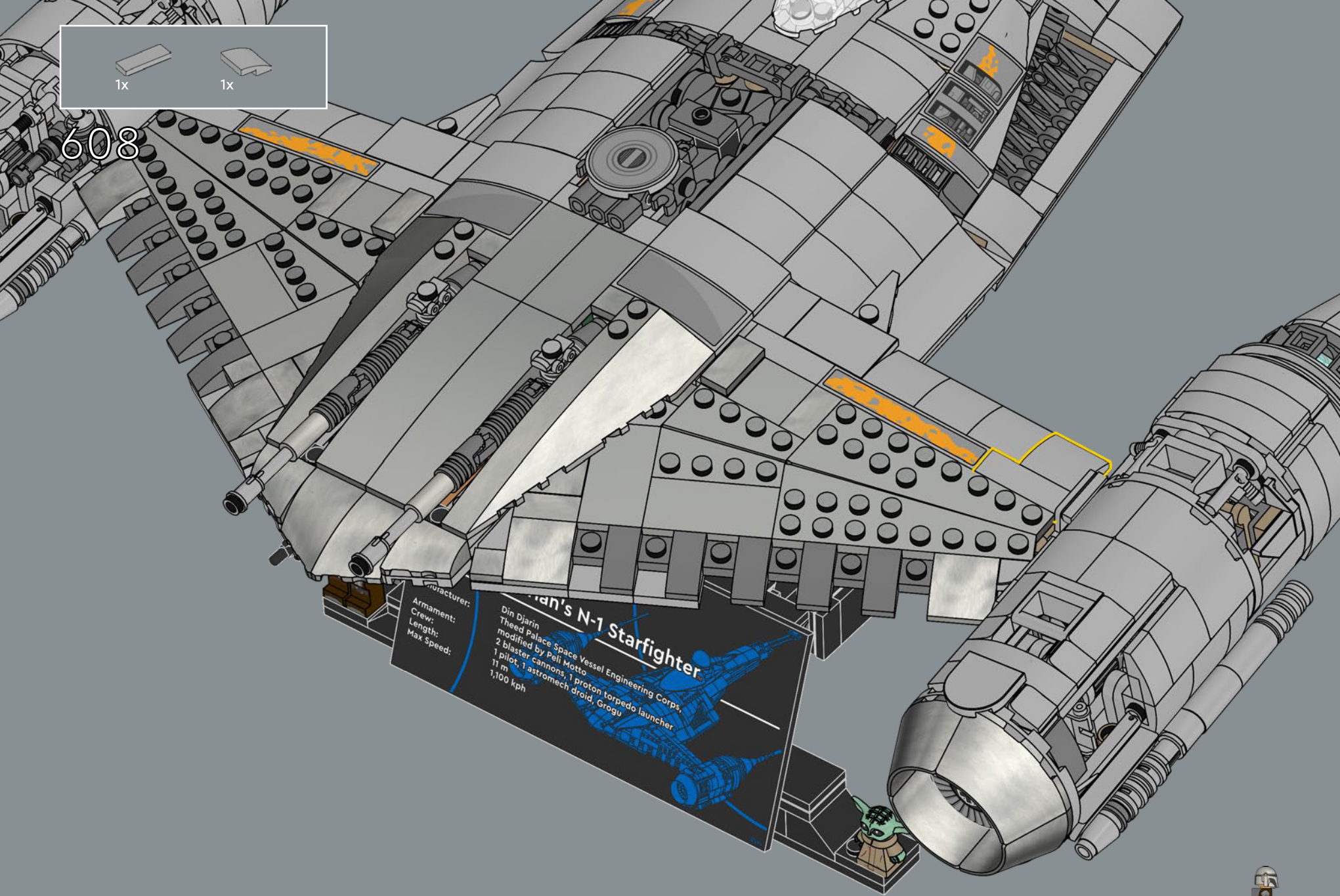
Manufacturer:
Armament:
Crew:
Length:
Max Speed:

Din Djarin's N-1 Starfighter

Theed Palace Space Vessel Engineering Corps
modified by Peli Motto
2 blaster cannons, 1 proton torpedo launcher
1 pilot, 1 astromech droid, Grogu



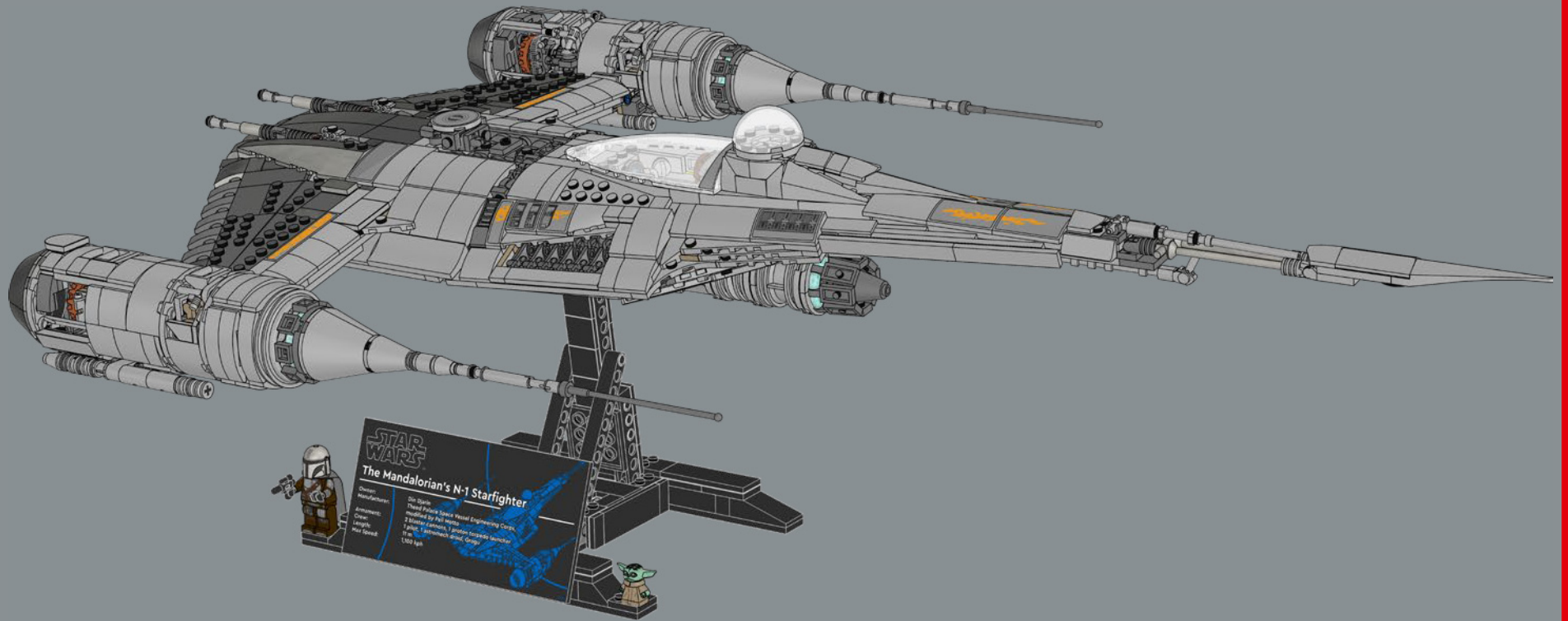
608



Manufacturer:
 Armament:
 Crew:
 Length:
 Max Speed:

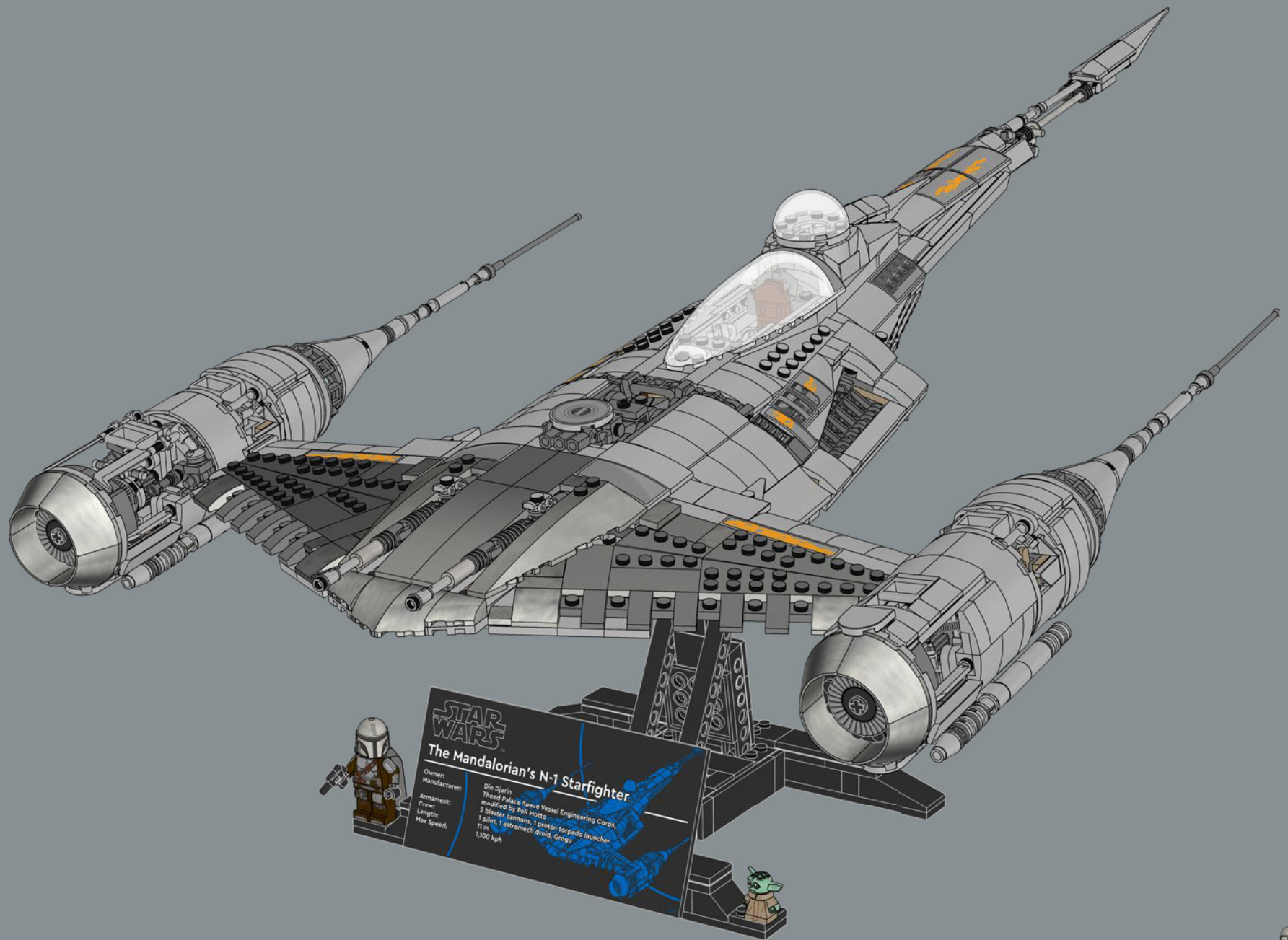
Din Djarin
 Theed Palace Space Vessel Engineering Corps
 modified by Peli Motto
 2 blaster cannons, 1 proton torpedo launcher
 1 pilot, 1 astromech droid, Grogu
 11 m
 1,100 kph





STAR WARS
The Mandalorian's N-1 Starfighter

Character: Din Djarin
Manufacturer: Mandalorian Space Vehicle Engineering Corps
Equipment: 2 Laser cannons, 1 proton torpedo launcher
Height: 1 pilot, 1 atmosphere shield, 1 oxygen
Max Speed: 1,000 kph



STAR WARS
The Mandalorian's N-1 Starfighter

Owner: Din Djarin
Manufacturer: Theed Palace Space Vessel Engineering Corps
Crew: Modified by Peli Motto
Armament: 2 blaster cannons, 1 proton torpedo launcher
Length: 11 m
Max Speed: 1,100 kph

- 2x 6177114
- 4x 6210272
- 2x 403201
- 2x 242001
- 1x 302101
- 4x 302001
- 1x 303401
- 3x 4161734
- 2x 4666579
- 2x 4218749
- 10x 4113917
- 6x 4118790
- 2x 4159739
- 2x 6294592
- 2x 6223291
- 3x 4124067
- 2x 6156462
- 2x 306221
- 12x 6378120
- 2x 6399645
- 6x 4142865
- 1x 393721
- 4x 302321
- 2x 6129995
- 4x 371021
- 2x 346021
- 1x 6130005
- 2x 6147702
- 6x 6482573
- 6x 4206482
- 20x 6299413
- 2x 362323
- 2x 302424
- 3x 6248971
- 1x 6331822
- 1x 302324
- 1x 300324
- 1x 4514844
- 12x 6168646
- 2x 6186675
- 2x 614126
- 2x 6424674
- 6x 300526
- 2x 4558954
- 2x 302426
- 4x 6299338
- 1x 6335317
- 1x 6360207
- 21x 6279875
- 2x 6338799
- 8x 306926
- 2x 6047276
- 4x 393726
- 1x 6178922
- 4x 302326
- 2x 6114987
- 1x 393826
- 2x 6147050
- 5x 6117973
- 1x 6563402
- 1x 6016172
- 2x 6306819
- 1x 4140588
- 4x 6336989
- 6x 6192346
- 2x 303926
- 6x 6013867
- 4x 6273226
- 16x 242026
- 3x 6506032
- 1x 6061032
- 1x 302226
- 8x 4567436
- 4x 6089119
- 2x 6267045
- 5x 362326
- 5x 302126
- 1x 6435928
- 2x 301026
- 2x 6039869
- 5x 370126
- 2x 4162443
- 4x 4515350
- 2x 6174917
- 4x 6416444
- 7x 4560182
- 2x 6194233
- 10x 302026
- 2x 4185583
- 1x 6171066
- 2x 6020193
- 2x 371026
- 2x 300926
- 3x 663626
- 7x 366626
- 1x 4243819
- 8x 6318582
- 5x 379526
- 2x 370726
- 9x 346026
- 3x 370226
- 1x 303426
- 2x 6327402
- 2x 6029578
- 3x 4514845
- 6x 244526
- 1x 6001494
- 4x 370326
- 2x 246526
- 1x 6614514
- 2x 6493351
- 2x 6347288
- 2x 303428
- 2x 6321386
- 2x 6382577
- 2x 6228840
- 2x 6628591
- 1x 6186007
- 9x 6074892
- 3x 6585259
- 2x 4157103
- 1x 6136553
- 1x 6293710
- 1x 6240515
- 1x 6561723
- 2x 6322841
- 8x 6315781
- 1x 6300320
- 26x 4549436
- 2x 6231386

11

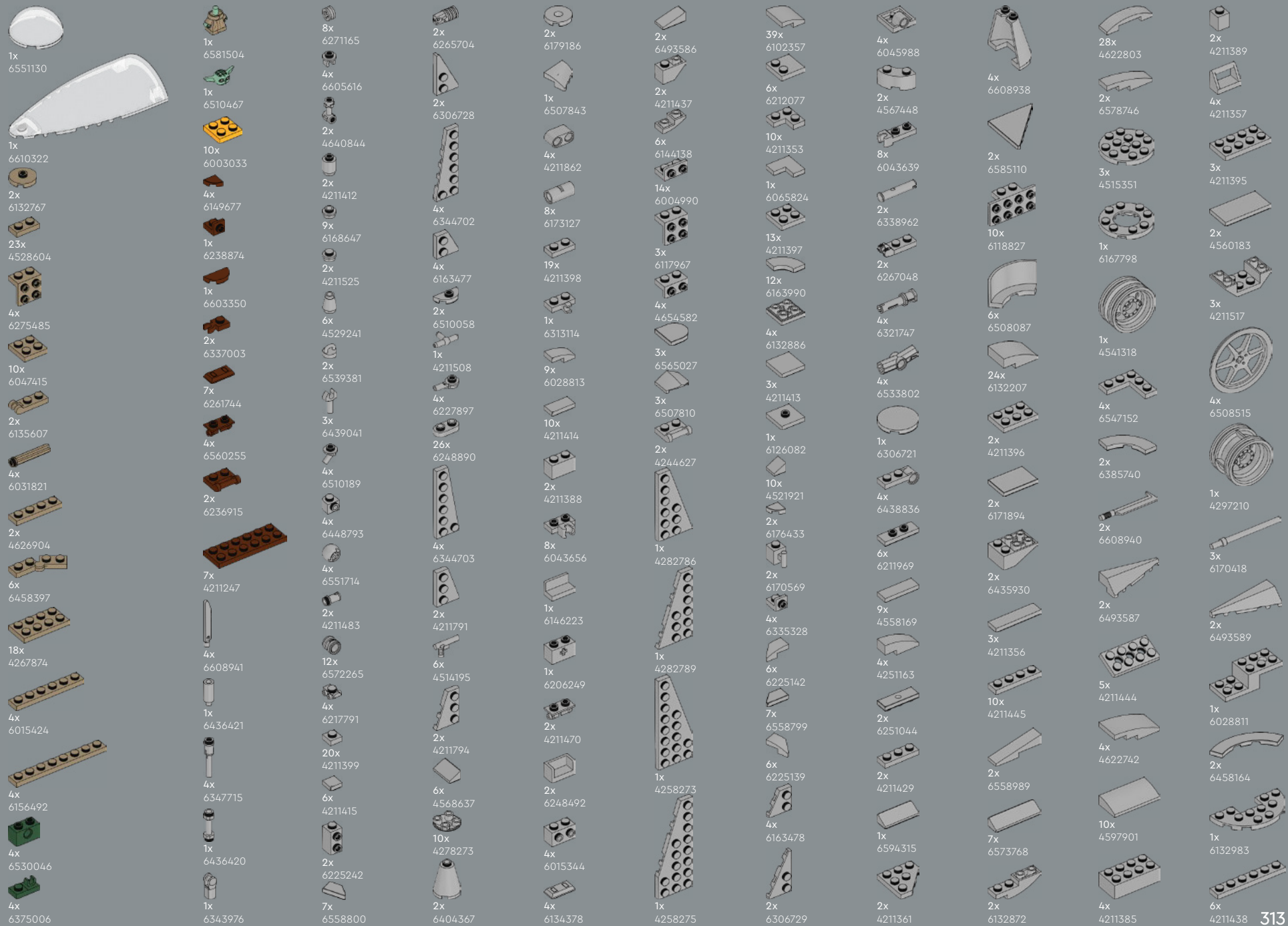
8

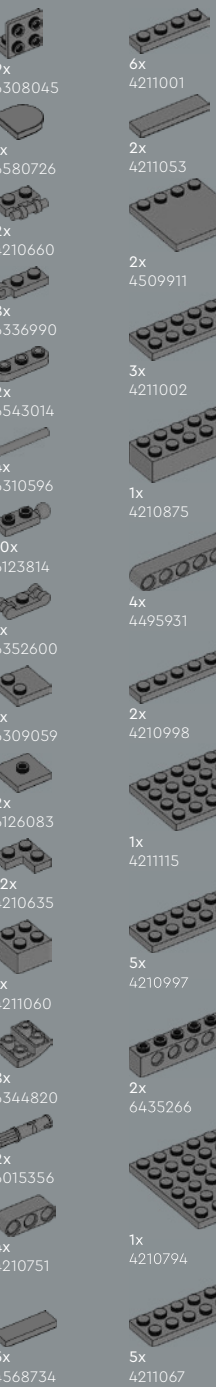
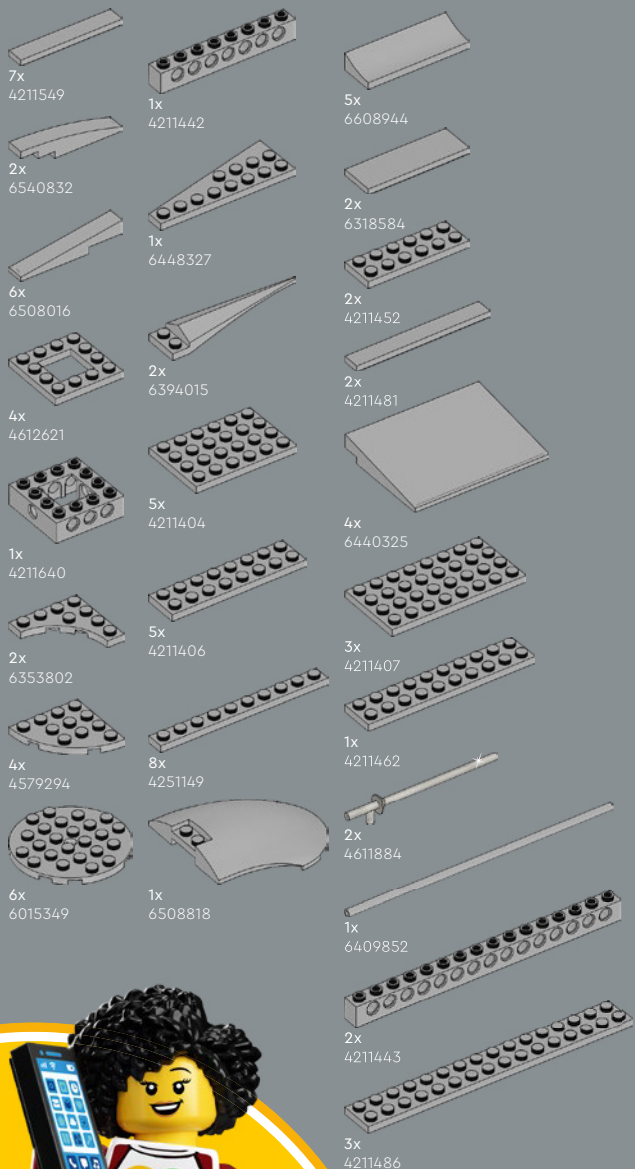
4

10

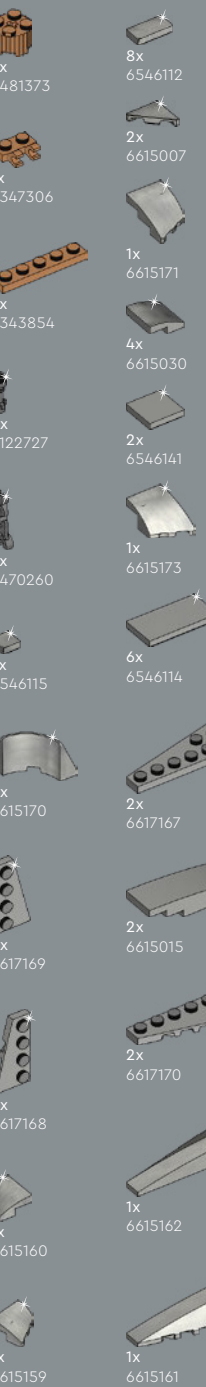
12







7



LEGO.com/service



YOU COULD
WIN



**YOU COULD
WIN**

Your feedback will help shape the future development of this product series.

Visit:

**DU KÖNNTEST
GEWINNEN**

Dein Feedback trägt zur Weiterentwicklung dieser Produktreihe bei.

Geh auf:

**VOUS POURRIEZ
GAGNER**

Vos commentaires nous aideront à concevoir les futurs produits de cette gamme.

Visitez :

**POTRESTI
VINCERE TU**

La tua opinione ci aiuterà a migliorare la creazione futura di questa linea di prodotti.

Visita:

**PUEDES
GANAR**

Tu opinión contribuirá al futuro de esta serie de productos.

Visita:

轻松获奖

您的反馈将有助于我们在今后改进本产品系列。

请访问:

LEGO.com/productfeedback

You also have the chance to win a LEGO® set.

Terms and conditions apply.*

Außerdem hast du die Chance, ein LEGO® Set zu gewinnen.

Es gelten die Teilnahmebedingungen.*

Vous pourriez également gagner un ensemble LEGO®.

Des conditions s'appliquent.*

Hai anche la possibilità di vincere un set LEGO®.

Termini e condizioni sono applicabili.*

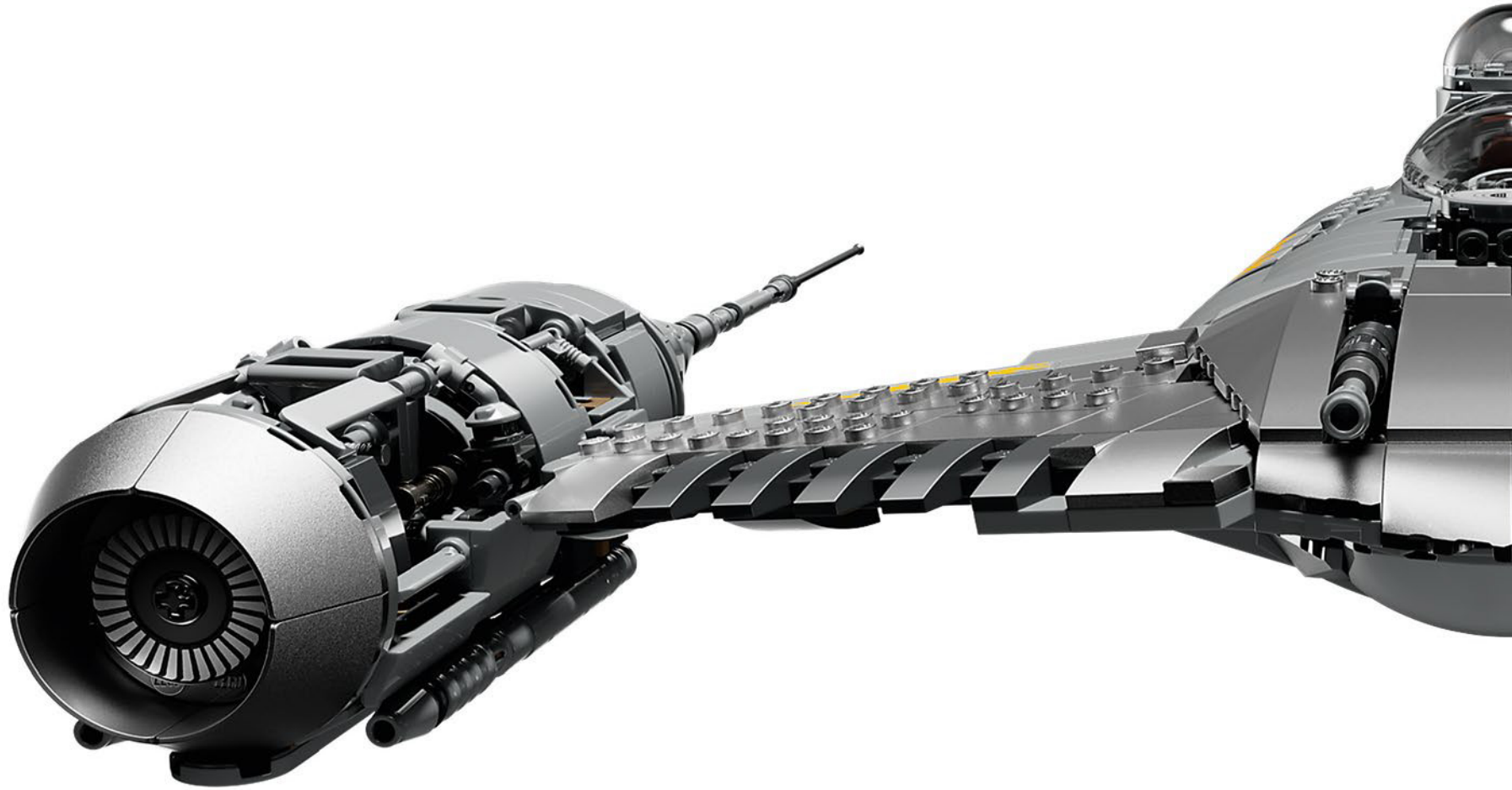
También tienes la oportunidad de ganar un set LEGO®.

Aplican términos y condiciones.*

您还有机会赢取乐高®套装。

条款和条件适用。*

*LEGO.com/productfeedback-terms



LEGO and the LEGO logo are trademarks of the LEGO Group. ©2026 The LEGO Group.
© & ™ Lucasfilm Ltd.

 6643789