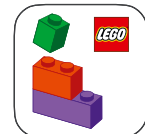


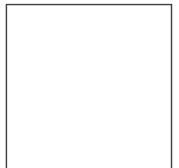


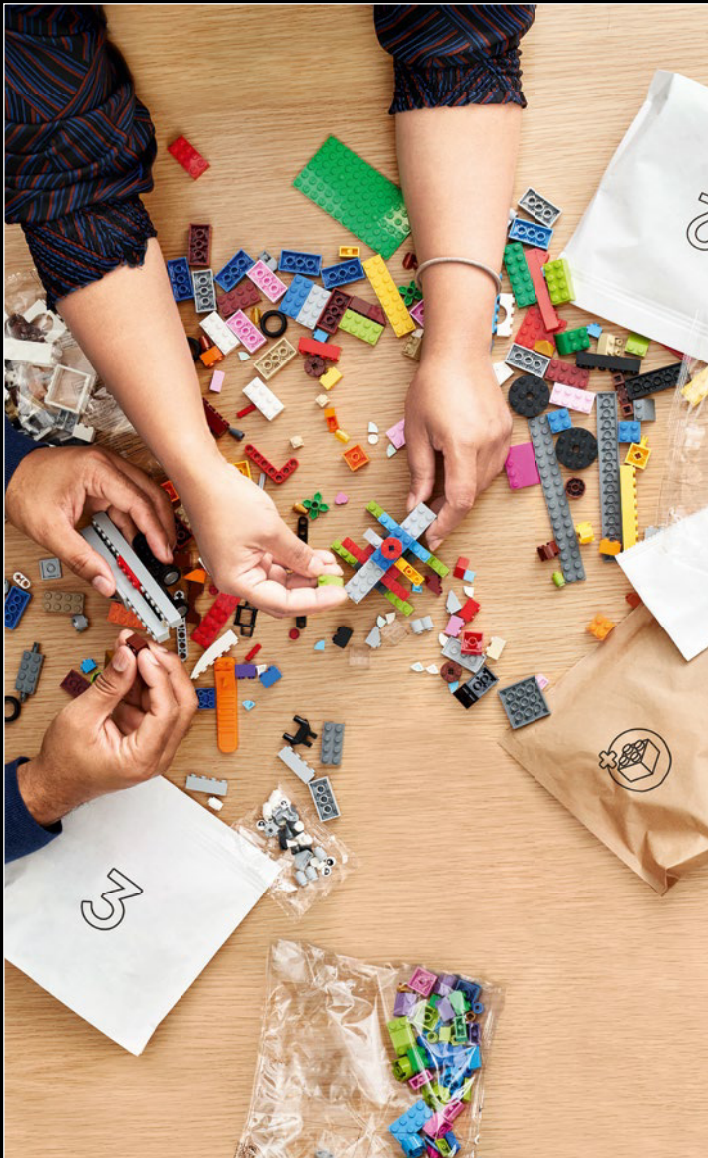
43301

Disney



LEGO® Builder





## WE'RE MAKING OUR PACKAGING MORE SUSTAINABLE

We're transitioning from single-use plastic to paper-based packaging. As we progress, you may find a mix of paper and plastic in our boxes.

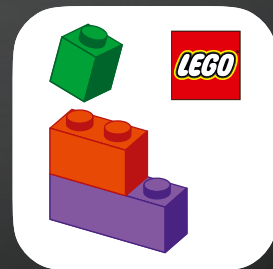
## NOUS RENDONS NOS EMBALLAGES PLUS DURABLES

Nous passons des emballages en plastique à usage unique aux emballages à base de papier. Durant la transition, vous pourriez trouver un mélange de papier et de plastique dans nos boîtes.

## QUEREMOS HACER MÁS SUSTENTABLES NUESTROS MATERIALES DE EMBALAJE

Estamos cambiando las bolsas de plástico desechables por bolsas con base de papel. Conforme avanzamos en este propósito, puedes encontrar una mezcla de papel y de plástico en nuestras cajas.

[LEGO.com/sustainable-packaging](https://LEGO.com/sustainable-packaging)



LEGO® Builder



# BUILDER



Apple and the Apple logo are trademarks of Apple Inc., registered in the U.S. and other countries and regions. App Store is a service mark of Apple Inc. Google Play and the Google Play logo are trademarks of Google LLC. Tencent and the Tencent logo are trademarks of Tencent Inc.

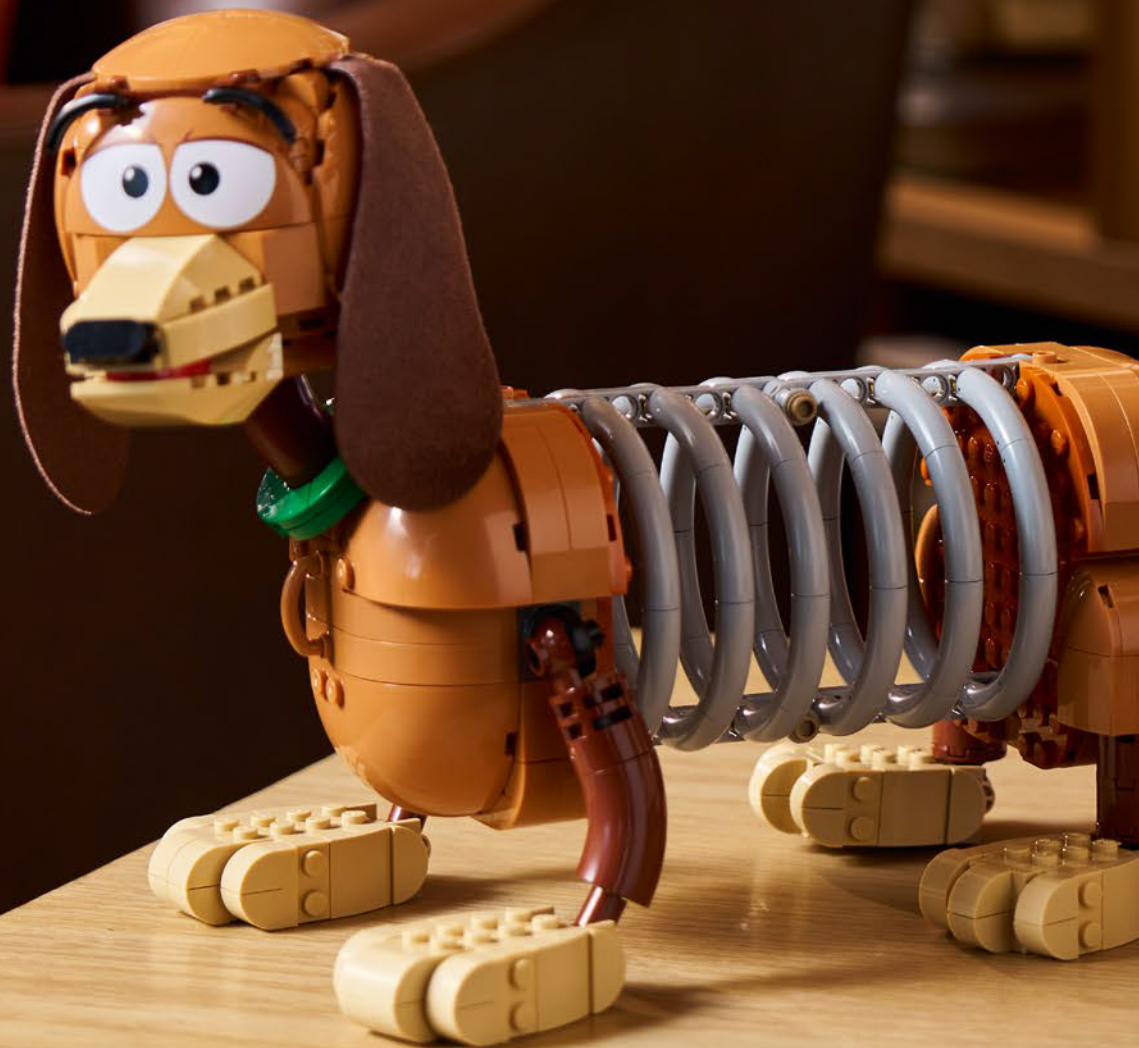
[LEGO.com/devicecheck](https://www.lego.com/devicecheck)



43304



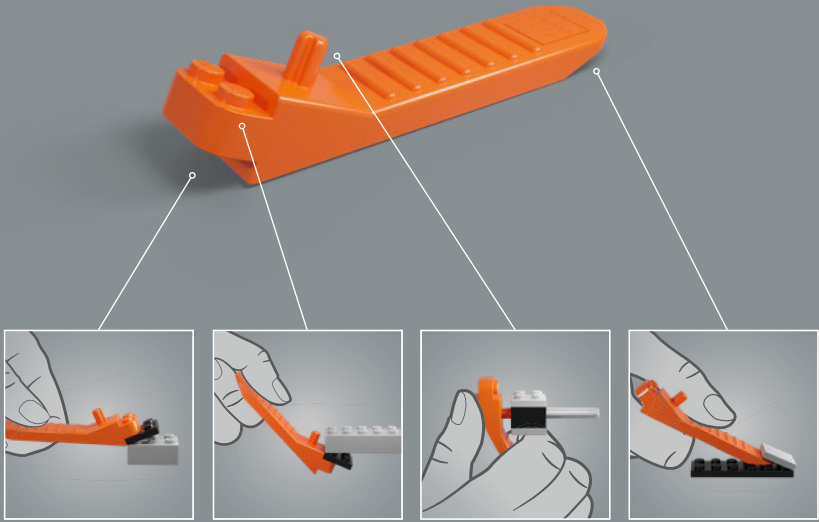
43301

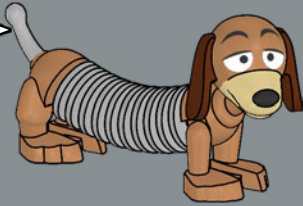
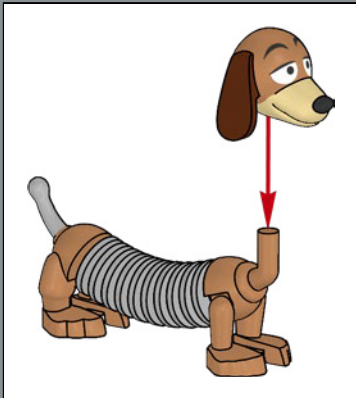


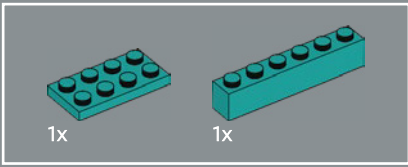


Knick Knack

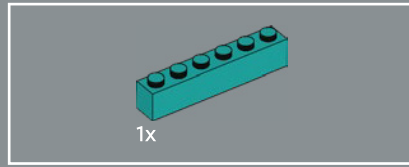
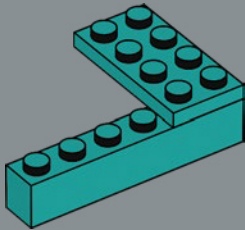
TIN TOY



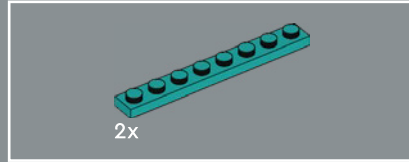
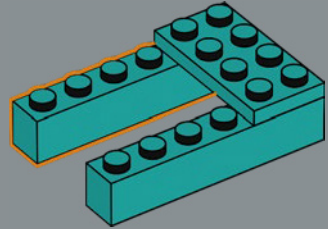




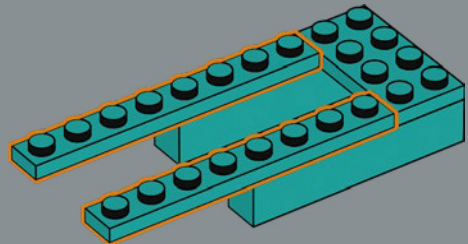
1

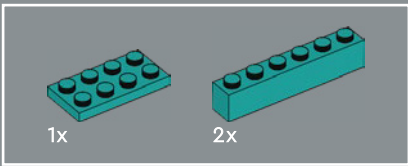


2

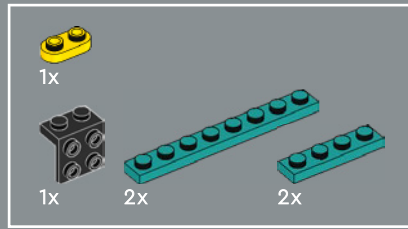
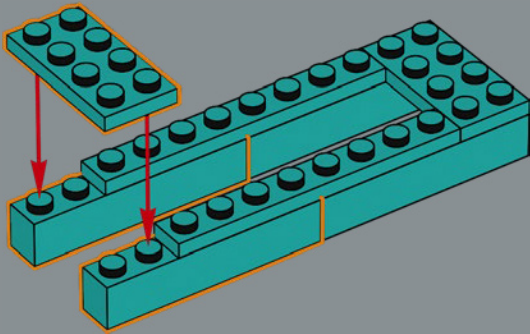


3

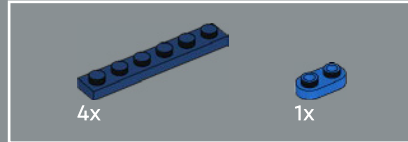
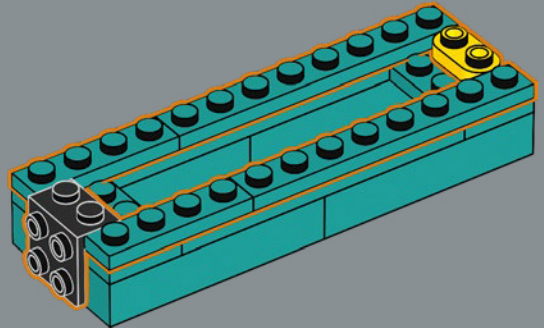




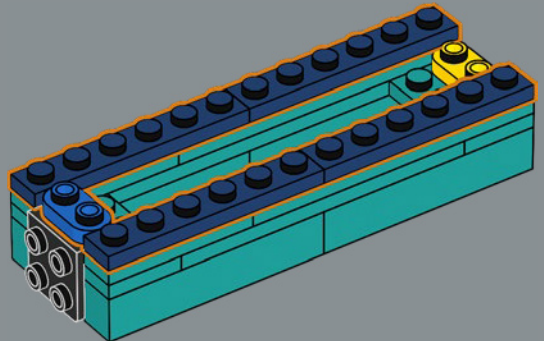
4

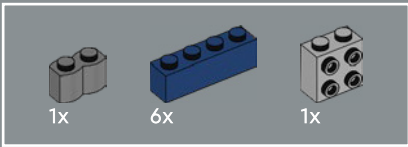


5

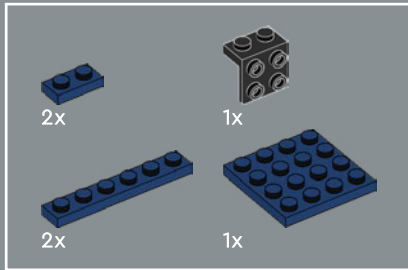


6

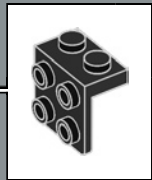
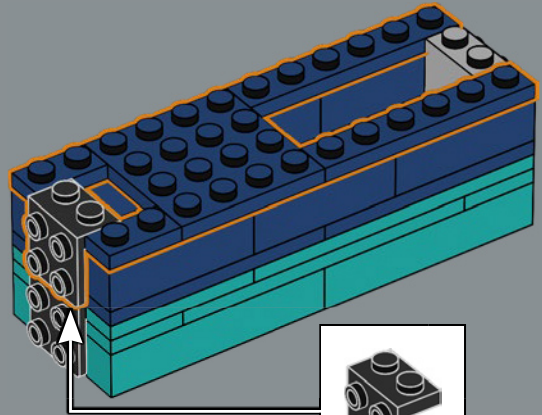
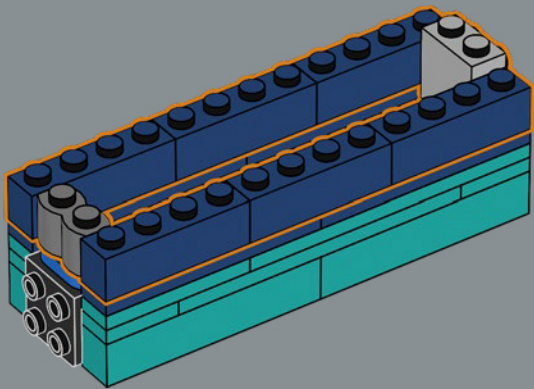


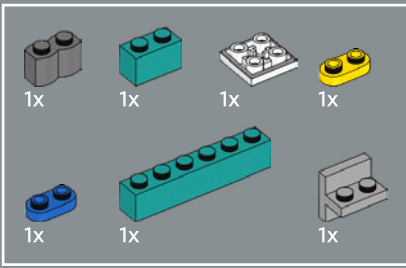


7

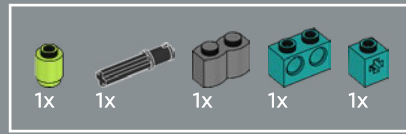
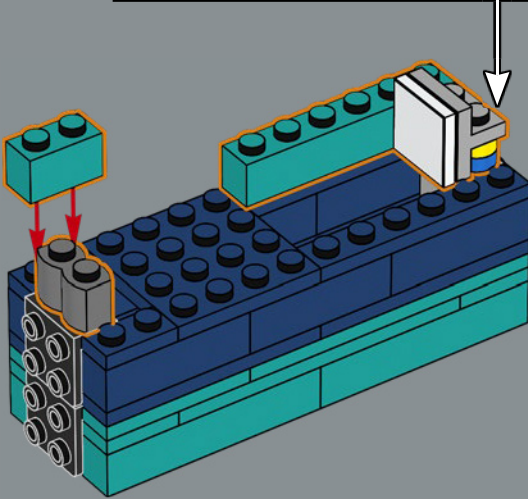
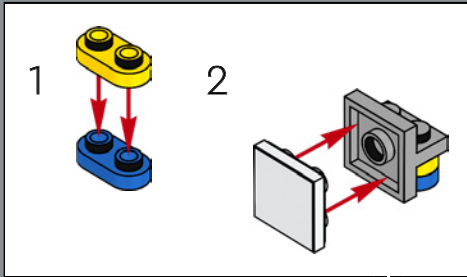


8

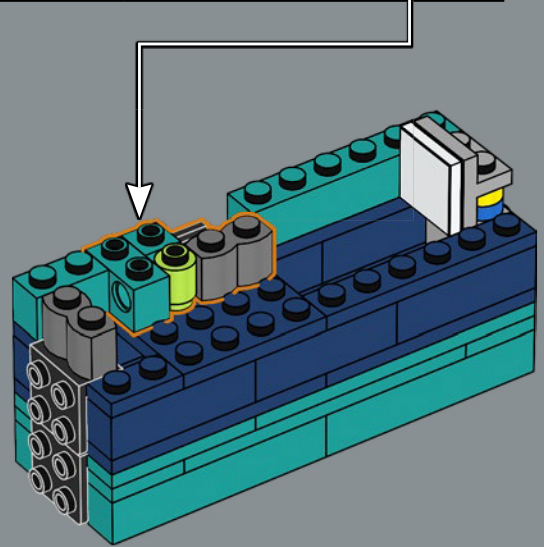
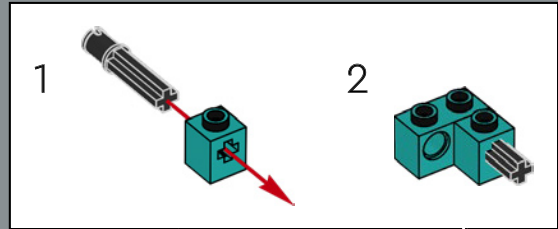


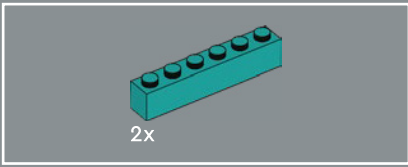


9

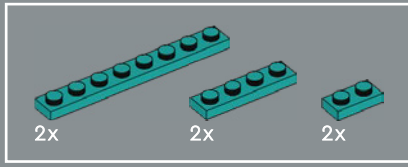


10

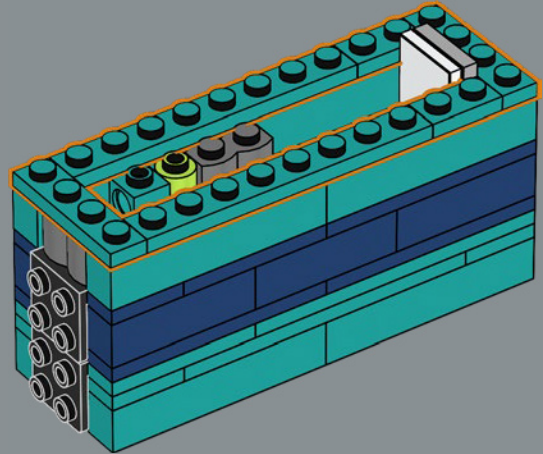
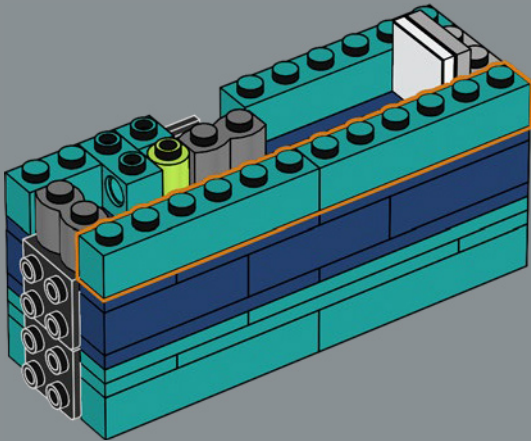


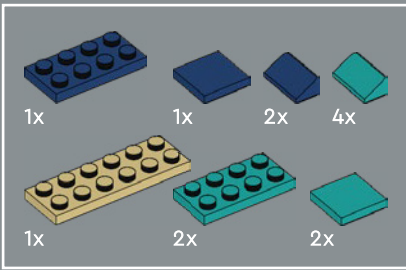


11



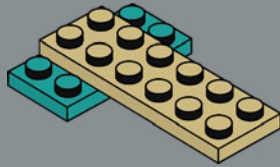
12



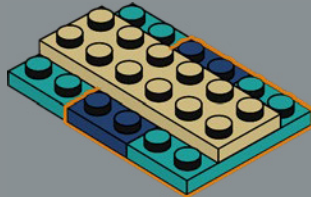


13

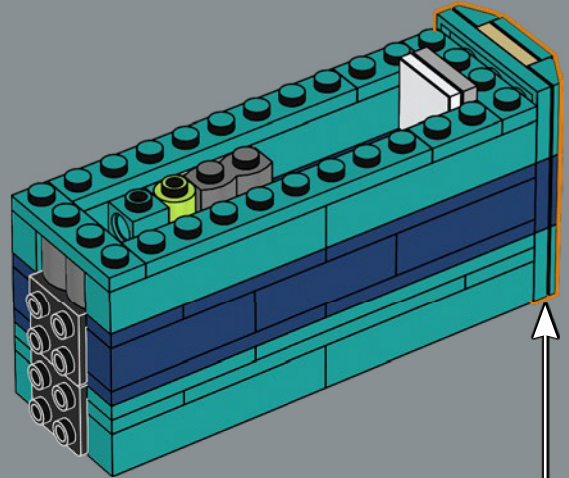
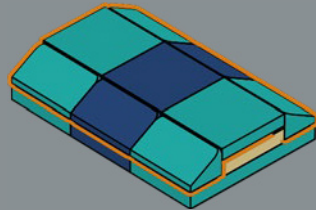
1



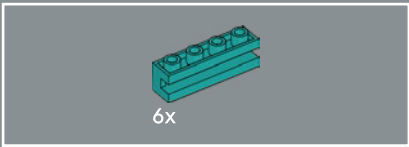
2



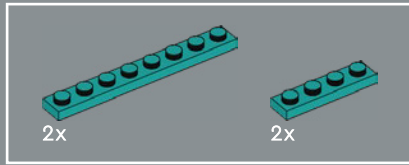
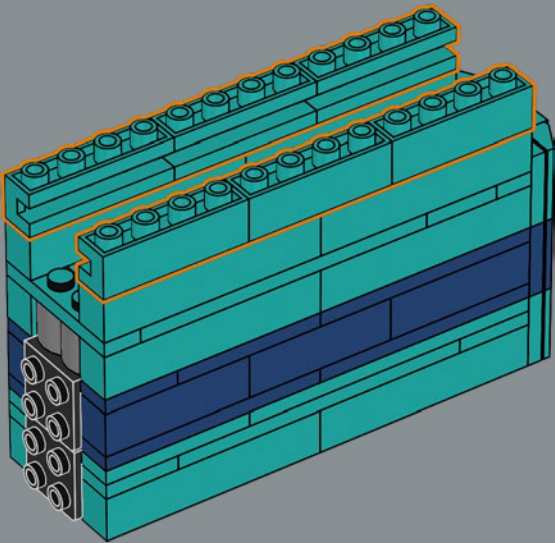
3



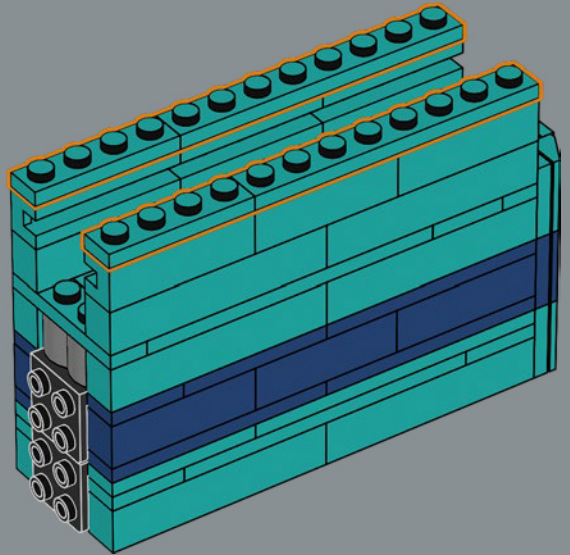


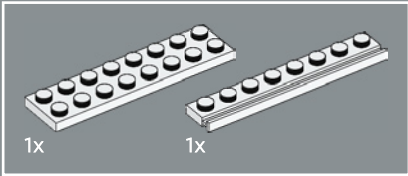
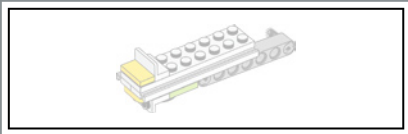


15

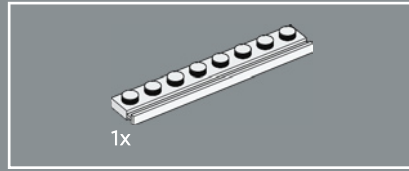
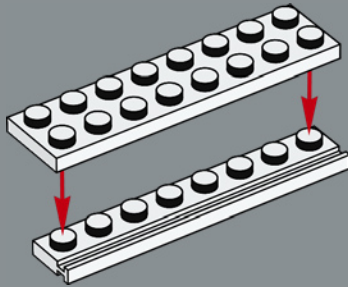


16

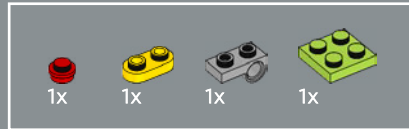
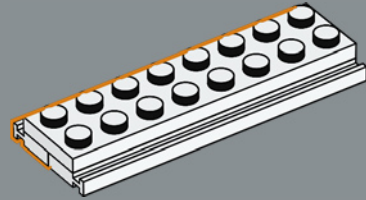




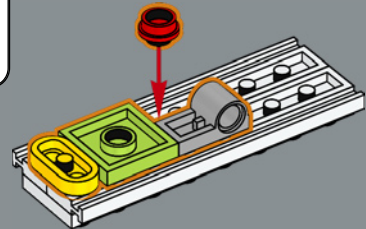
17



18

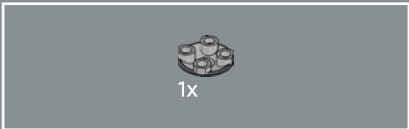
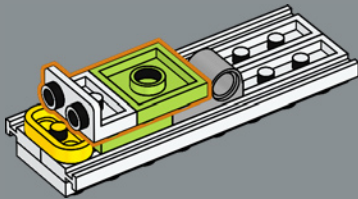


19

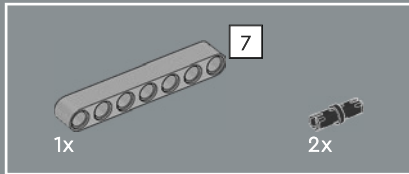
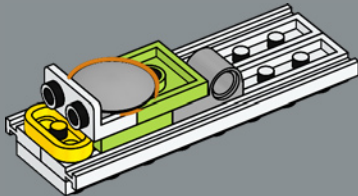




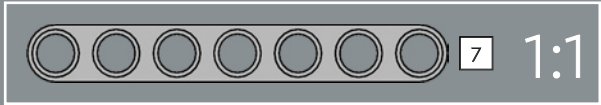
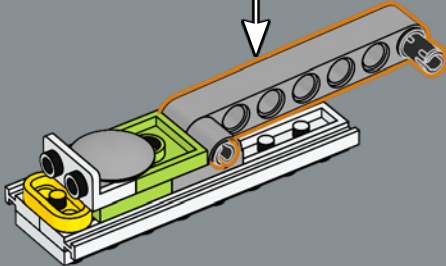
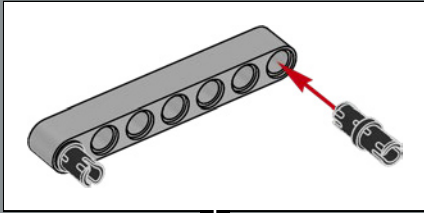
20

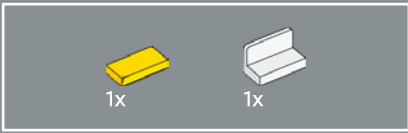


21

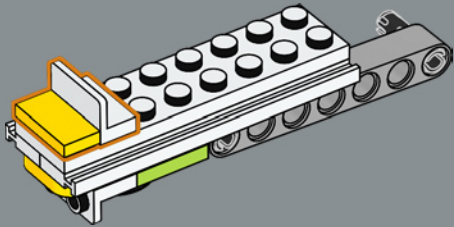


22

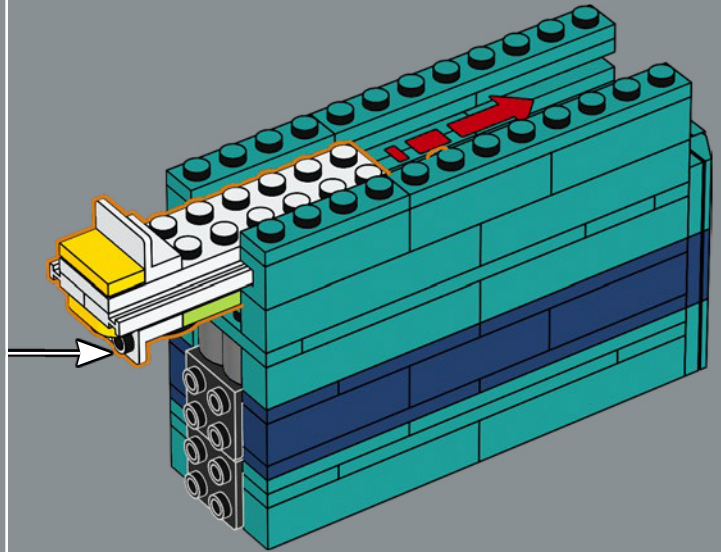




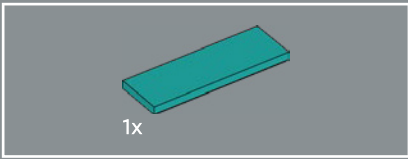
23



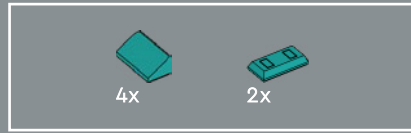
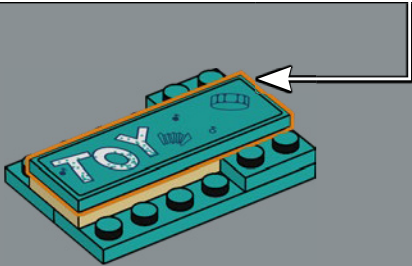
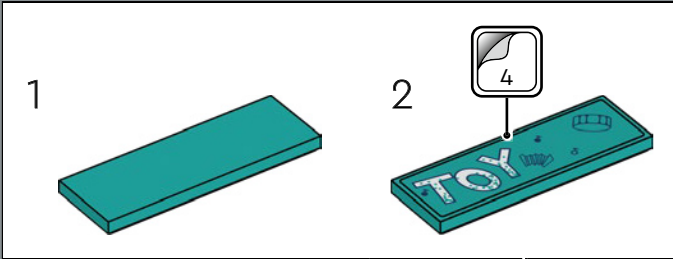
24



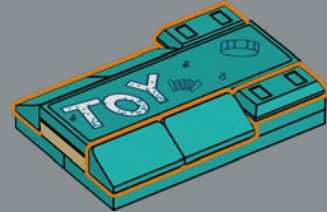


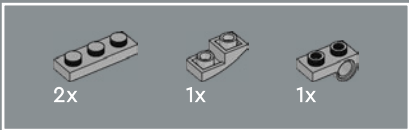


28

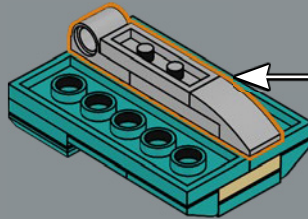
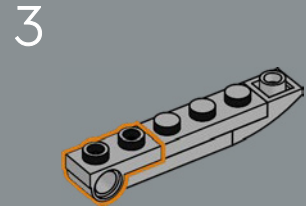
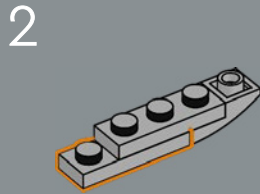
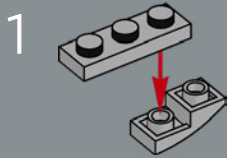


29

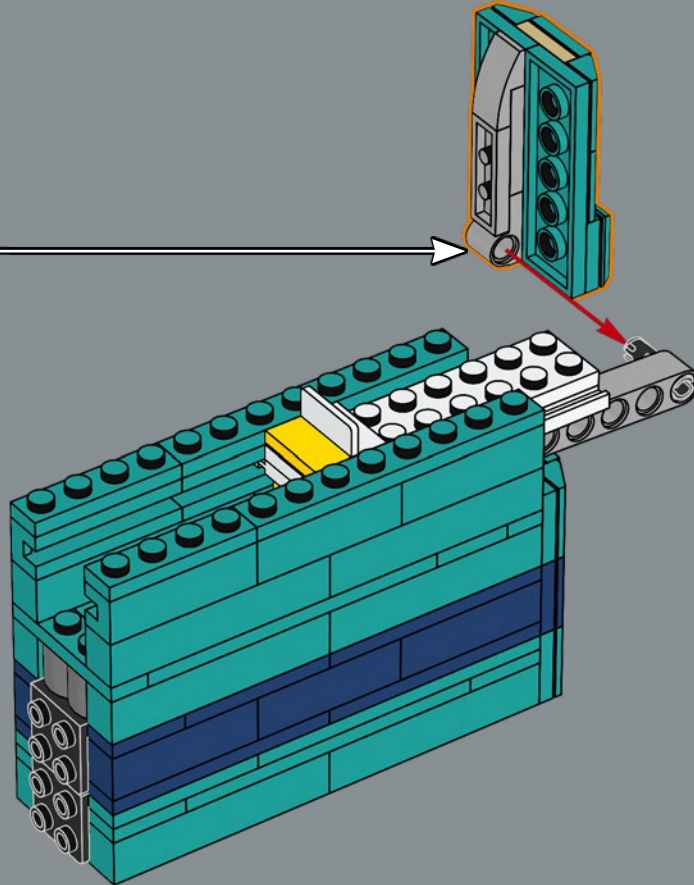


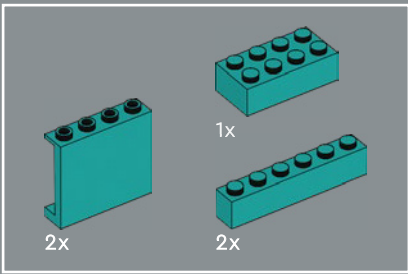


30

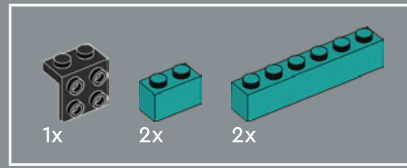
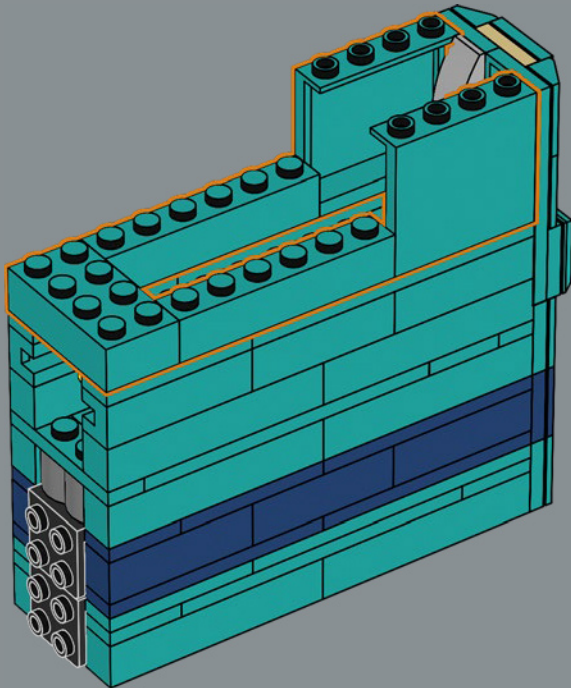


31

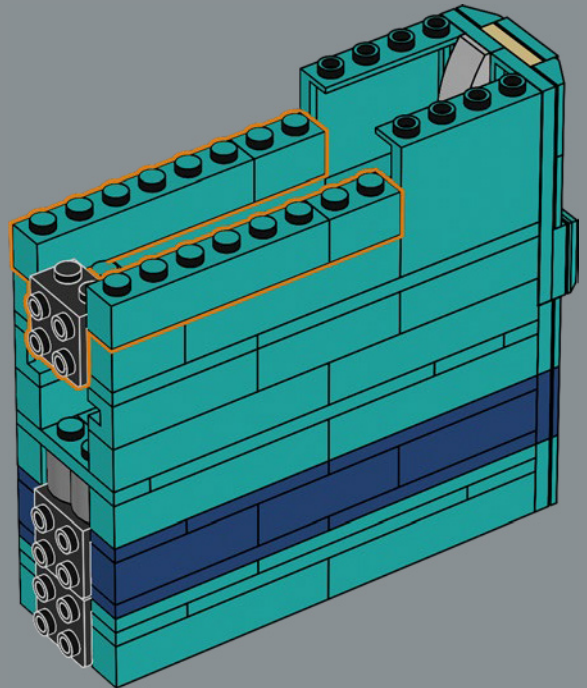


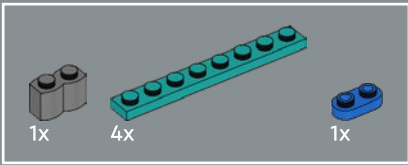


32

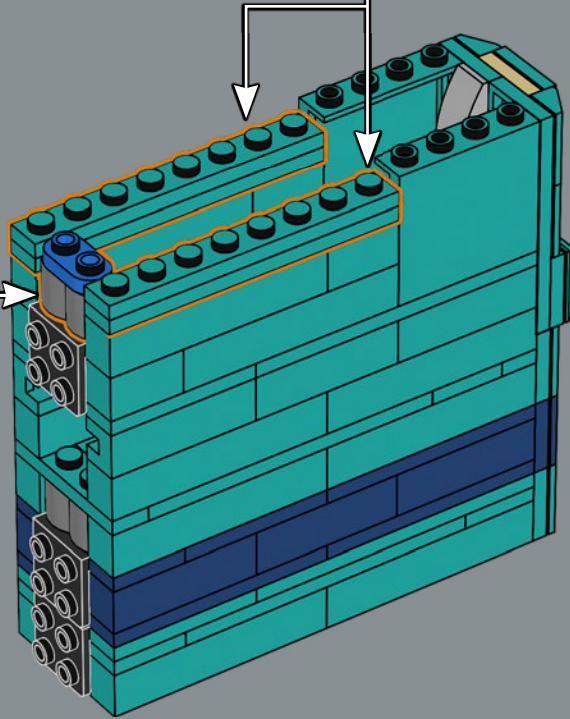
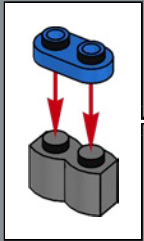
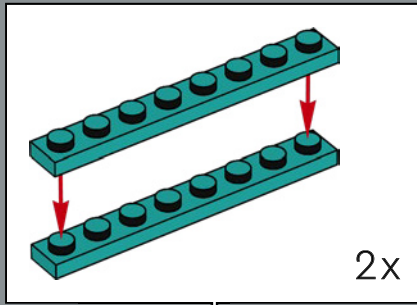


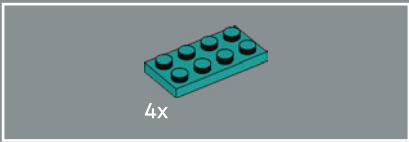
33



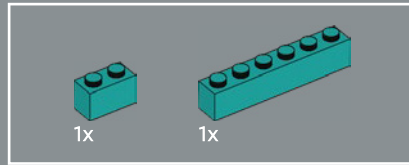
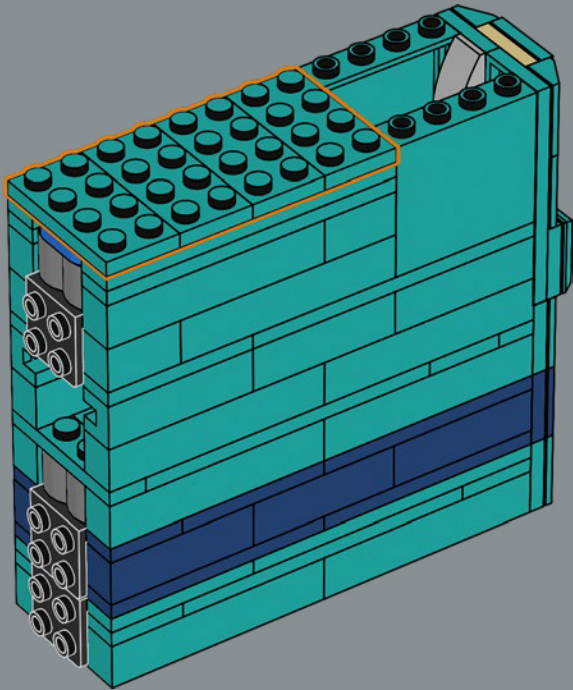


34

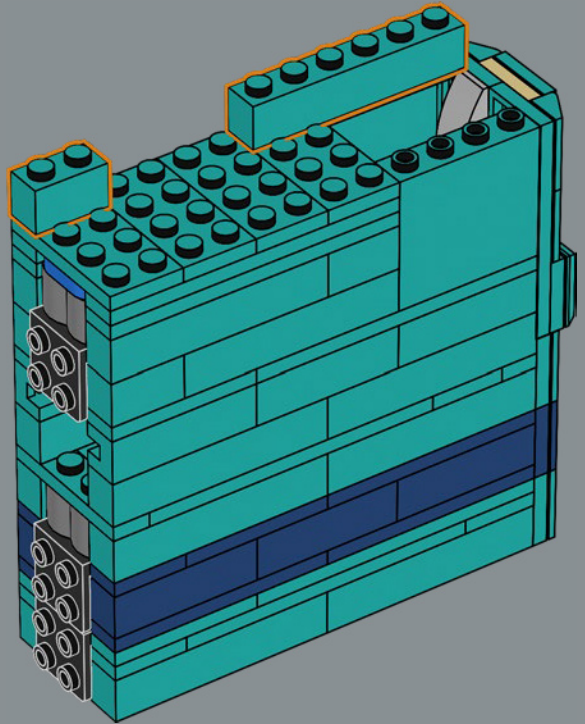


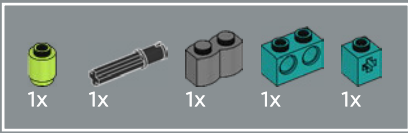


35

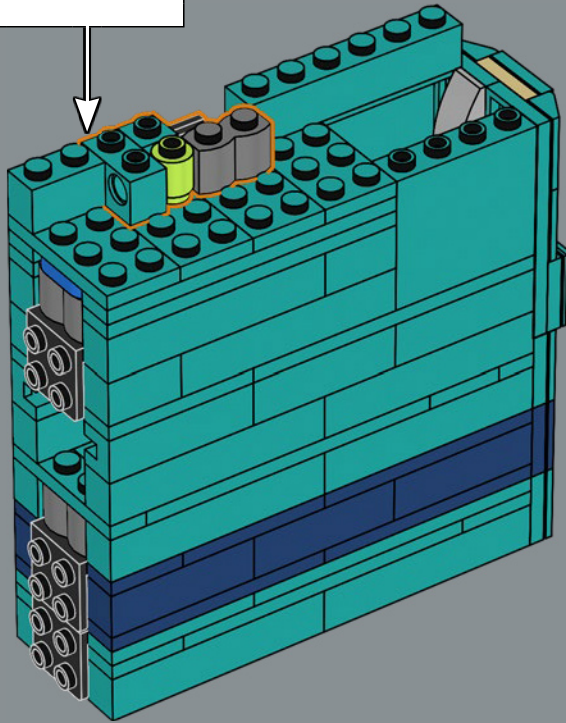
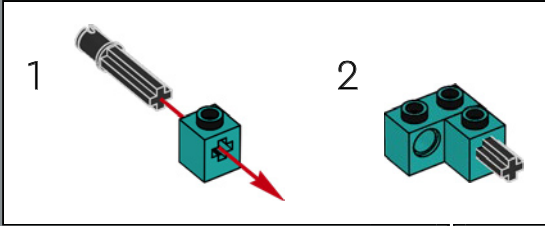


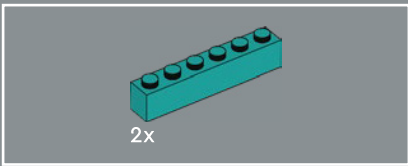
36



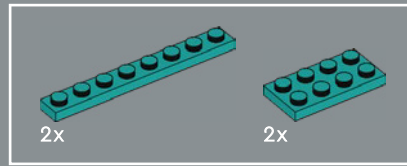
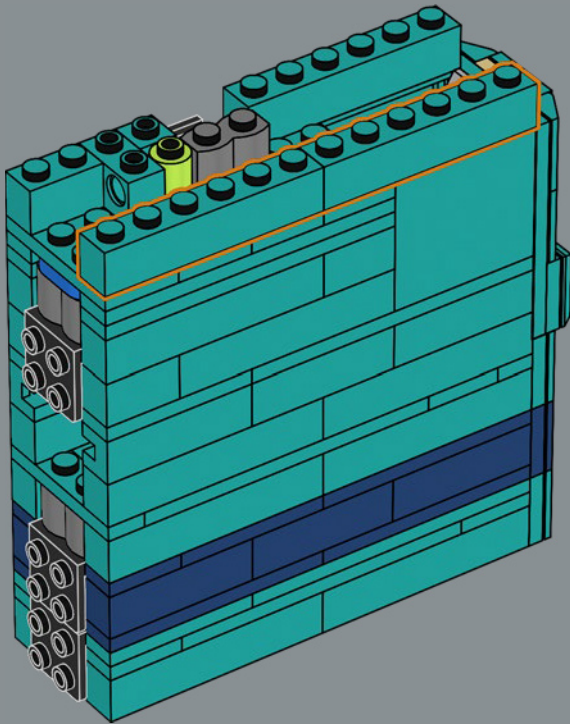


37

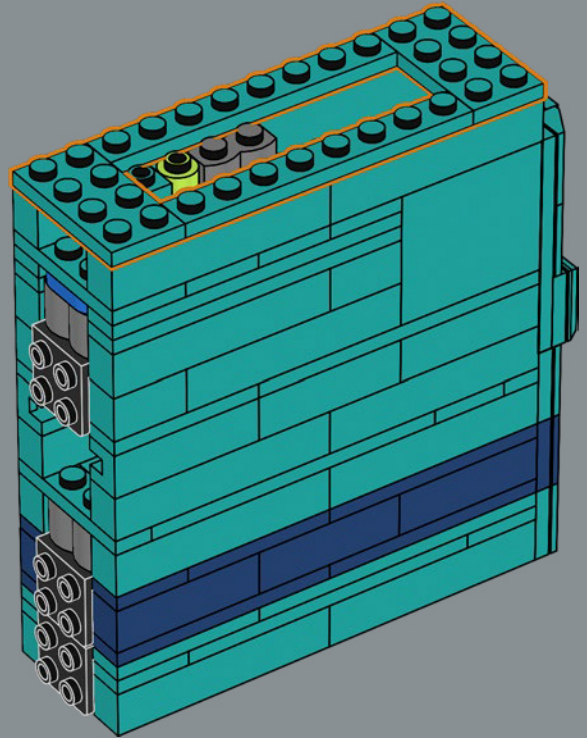


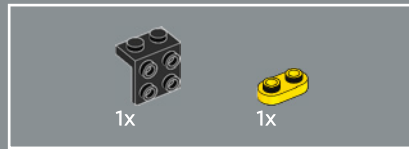


38

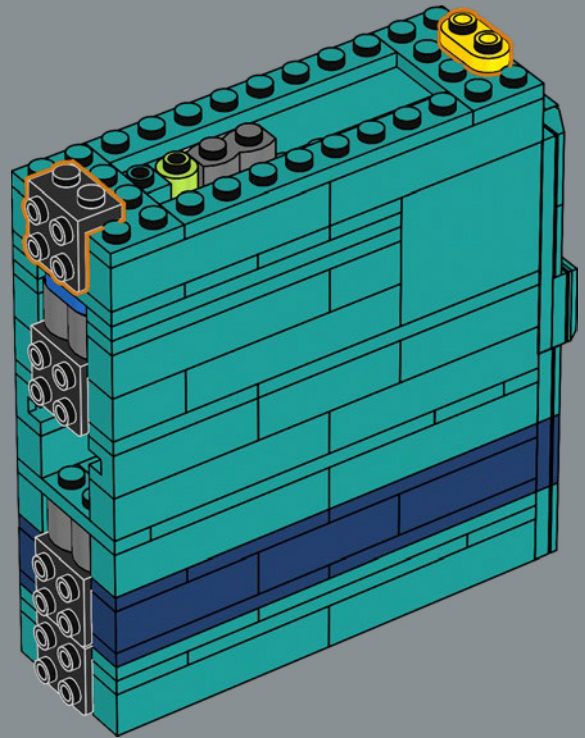


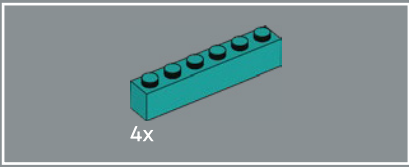
39



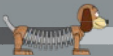
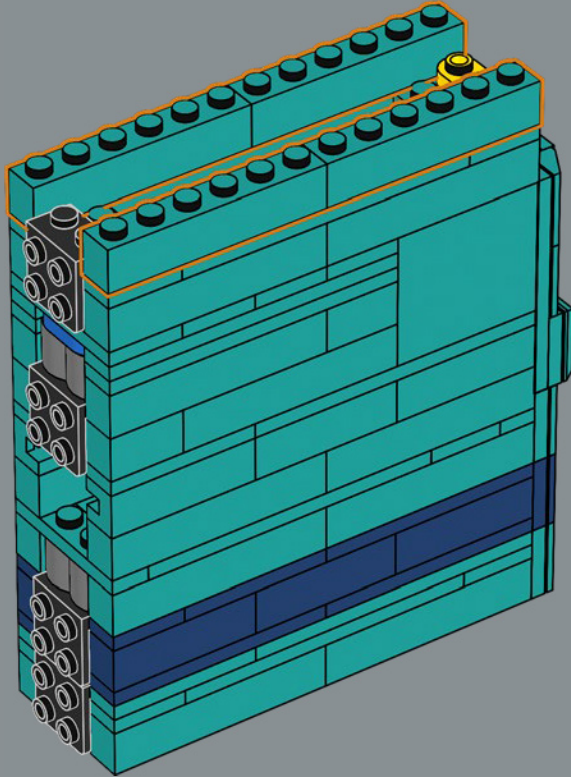


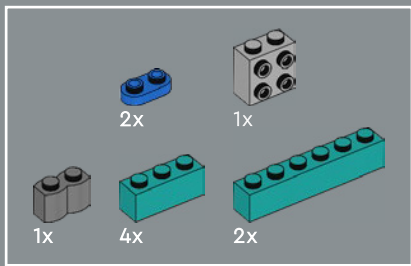
40



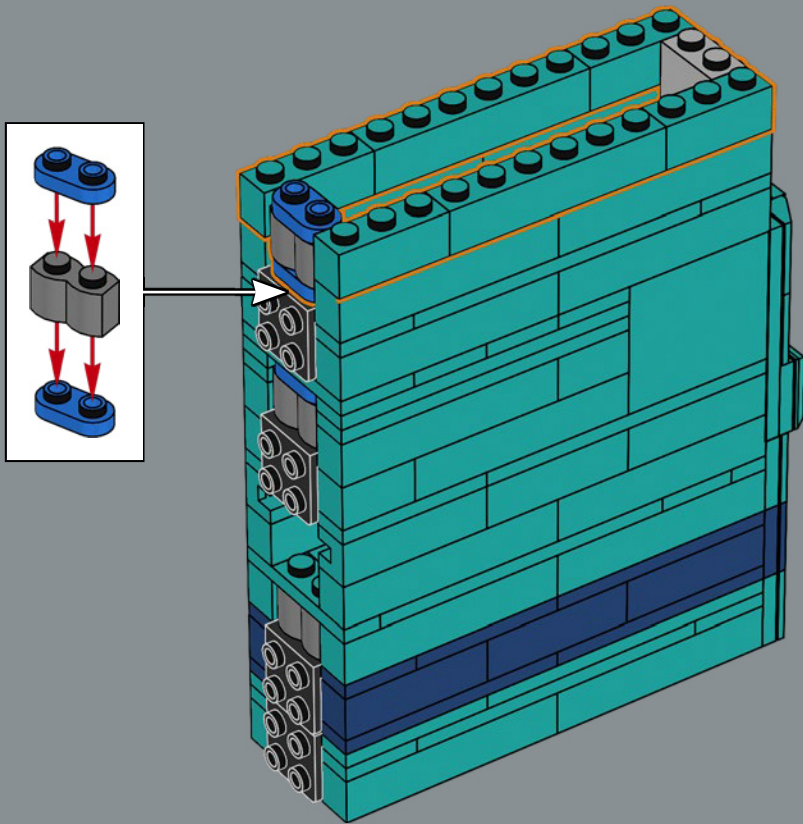


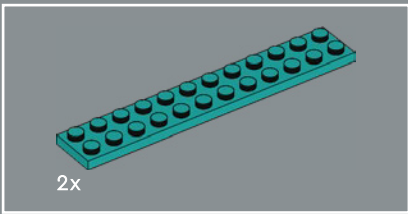
41



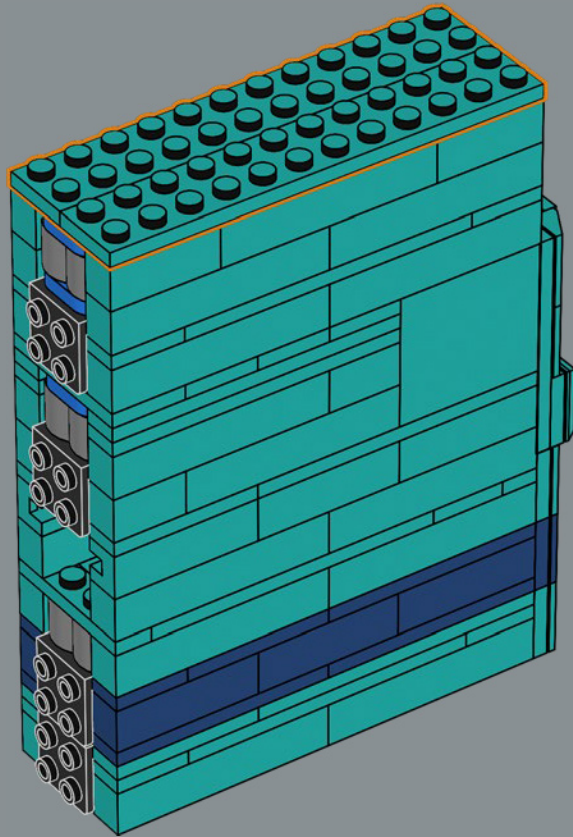


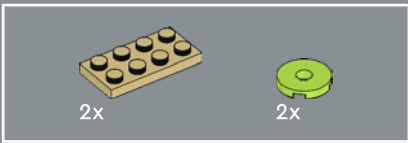
42



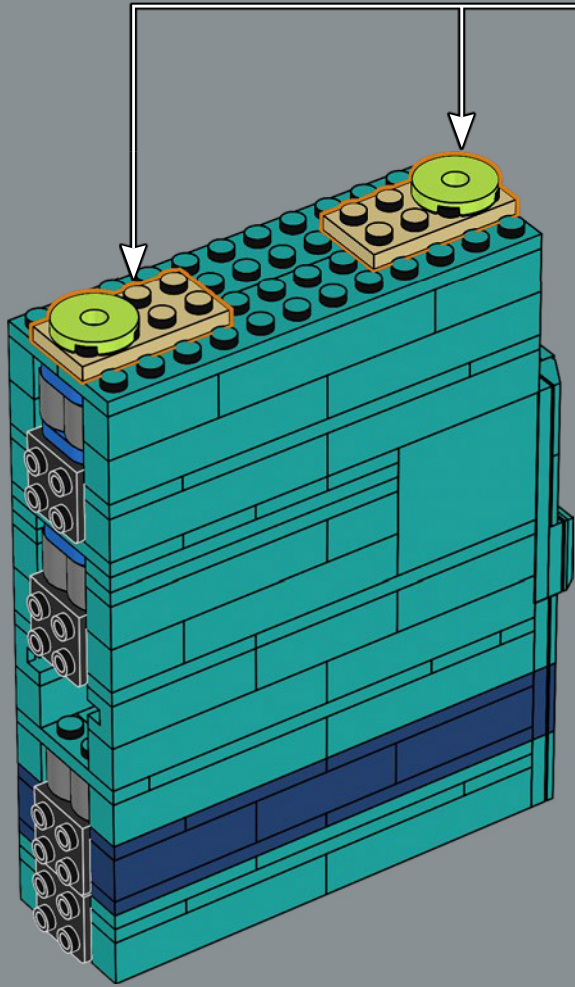
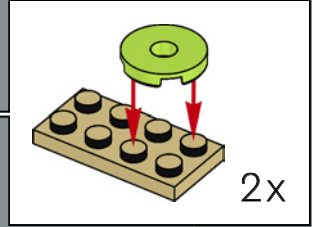


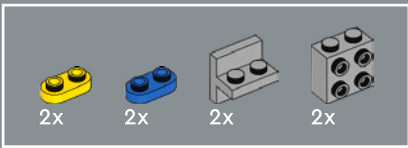
43



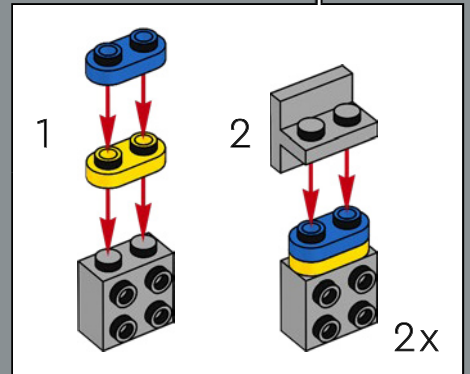
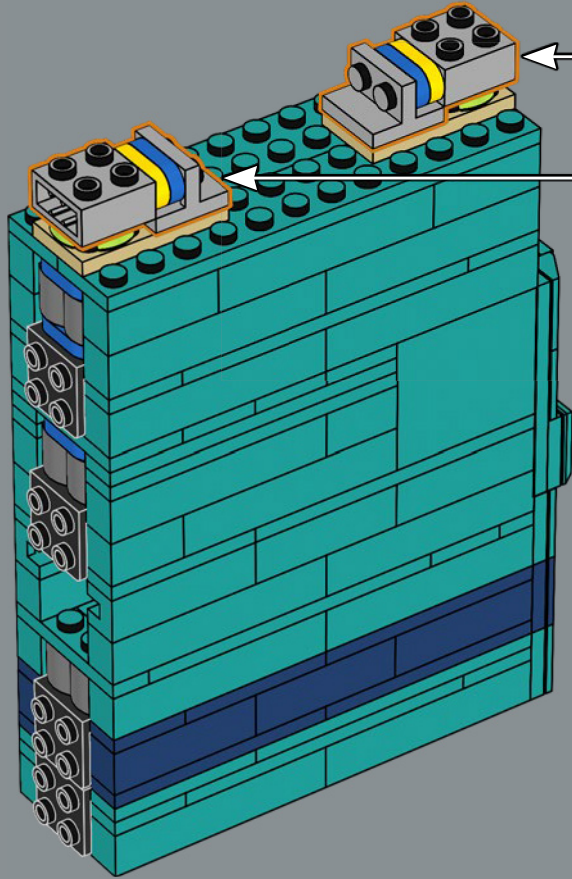


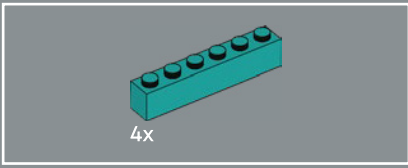
44



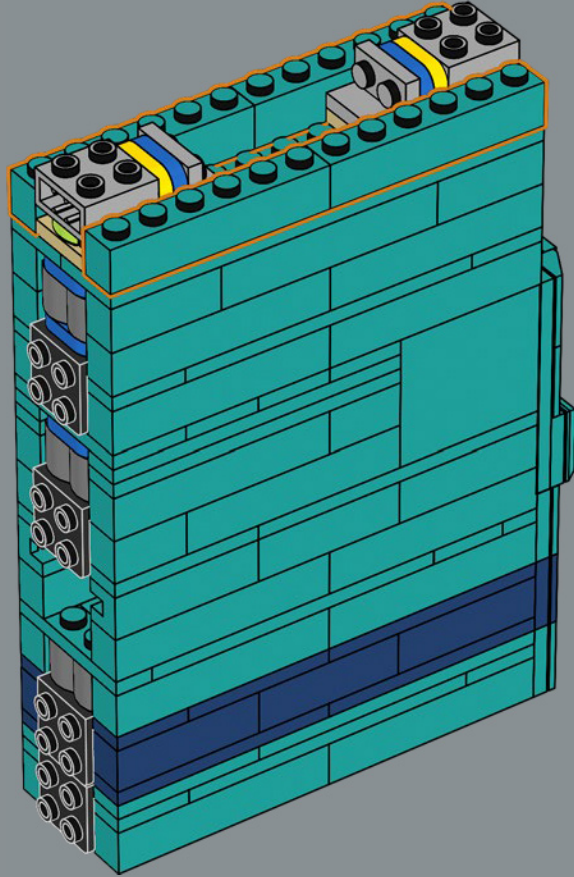


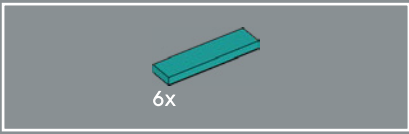
45



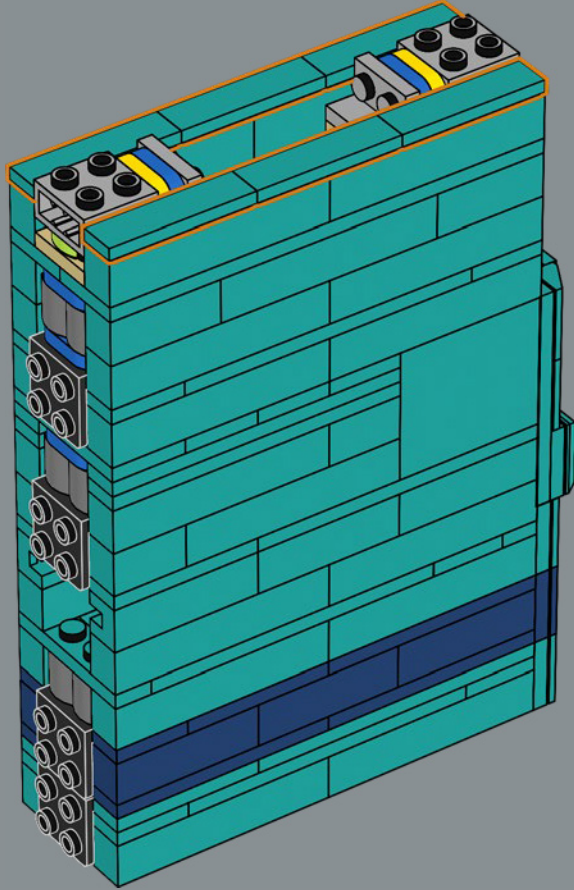


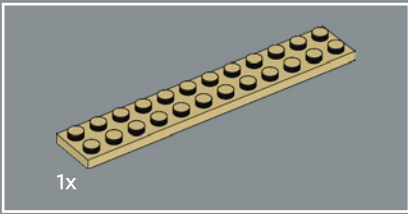
46



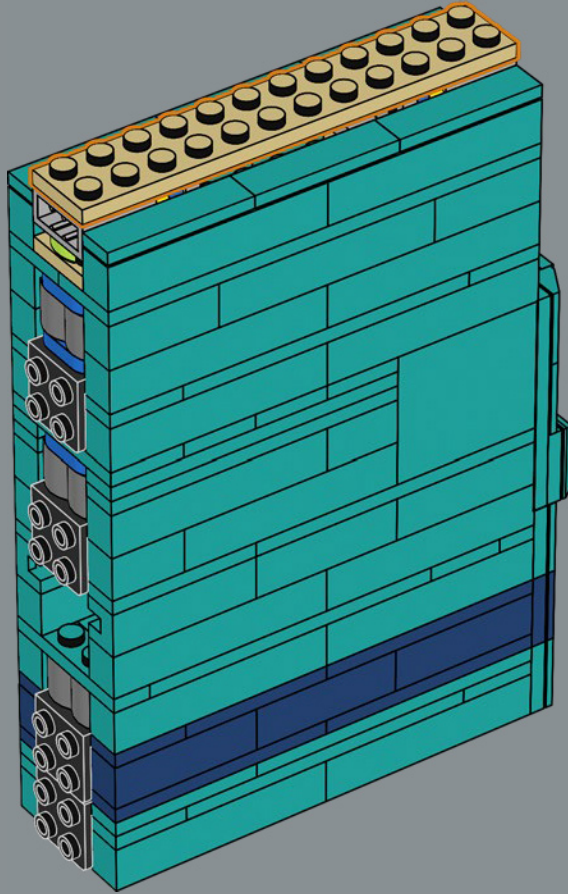


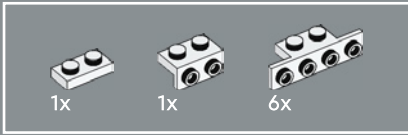
47



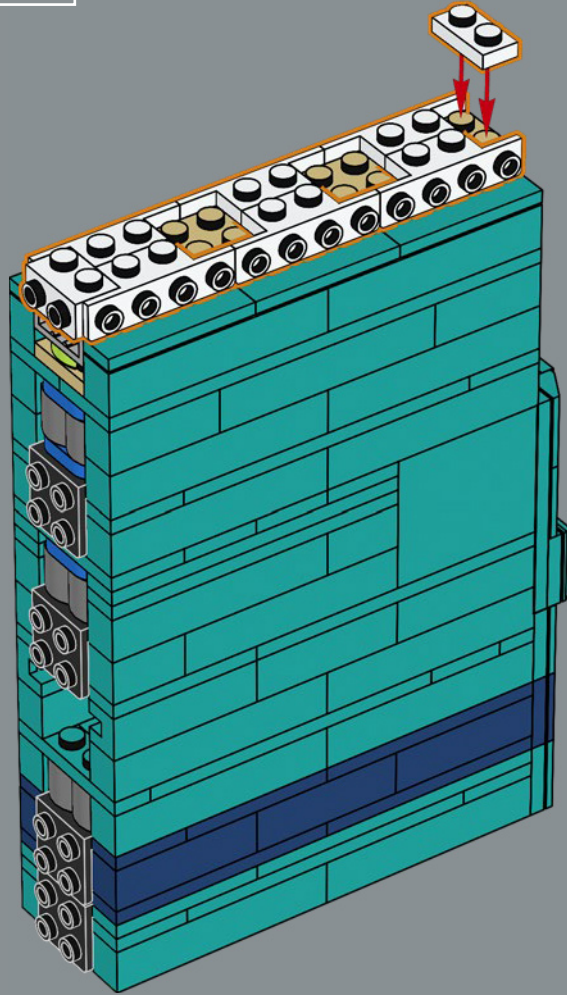


48





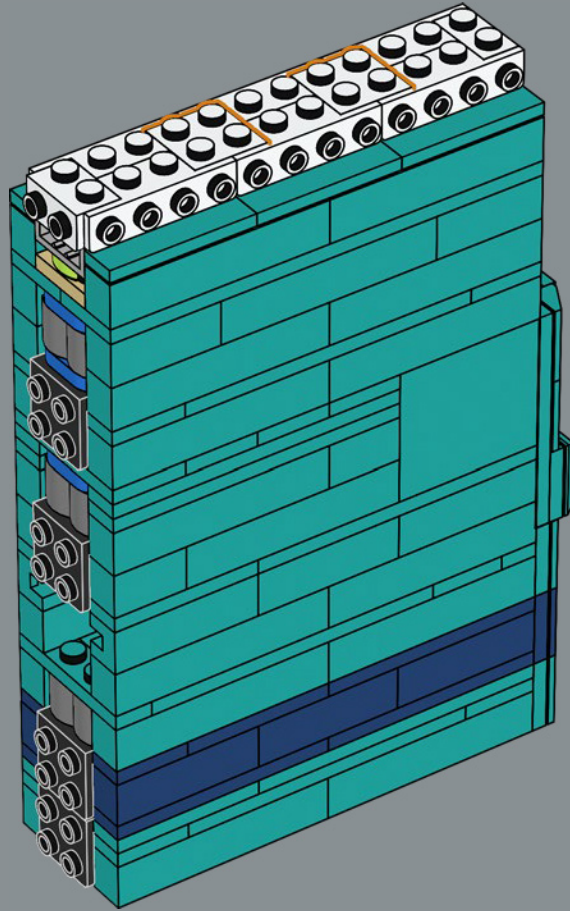
49

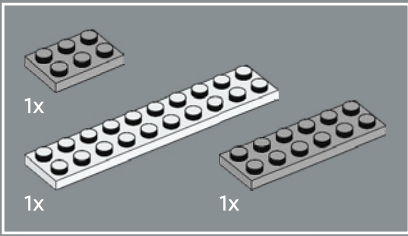




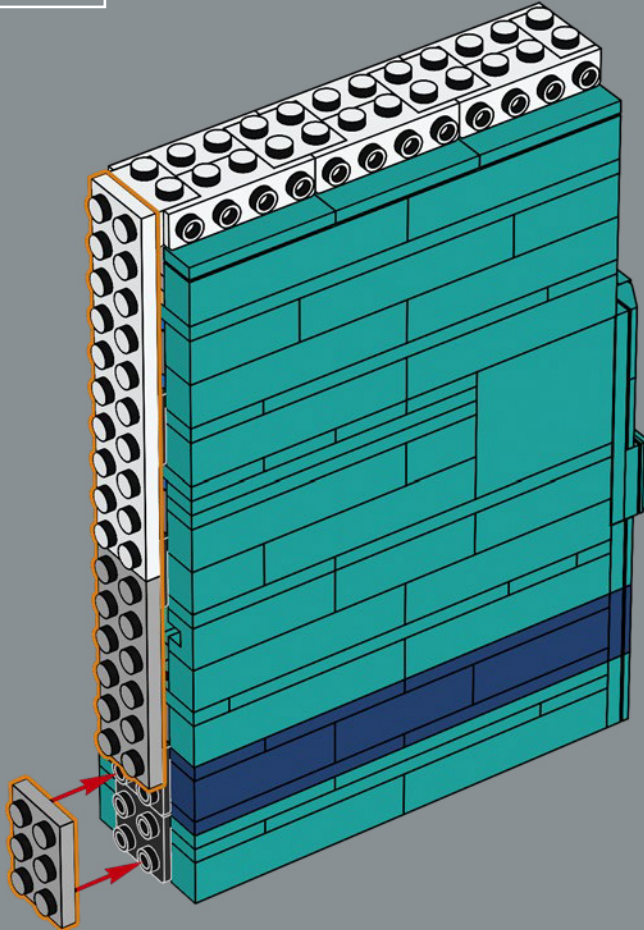
2x

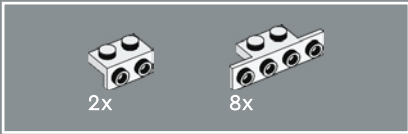
50



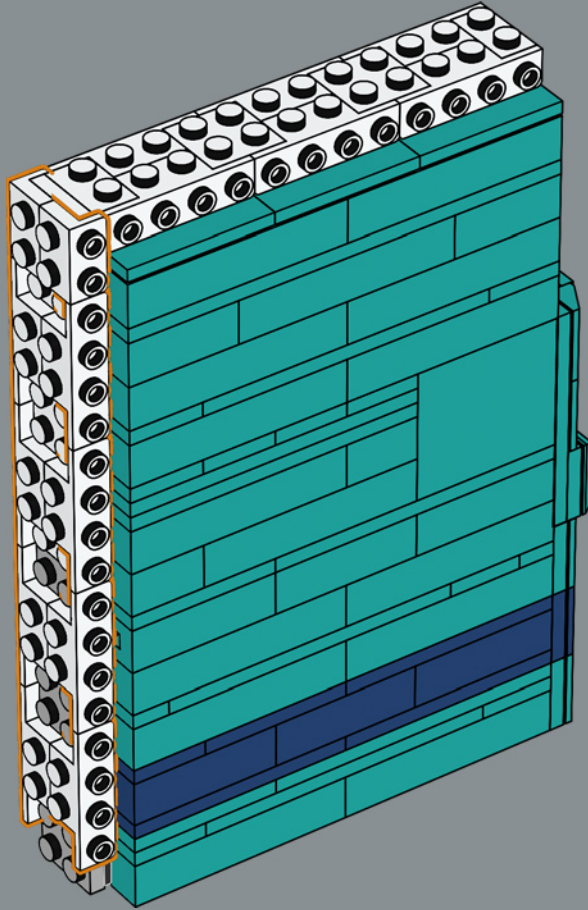


51



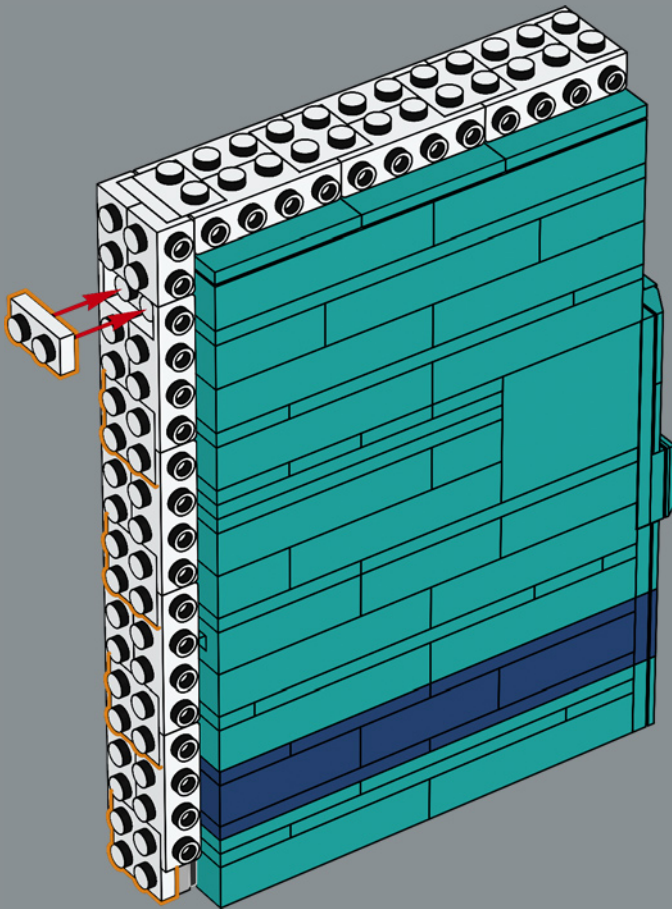


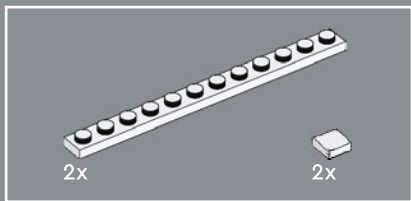
52



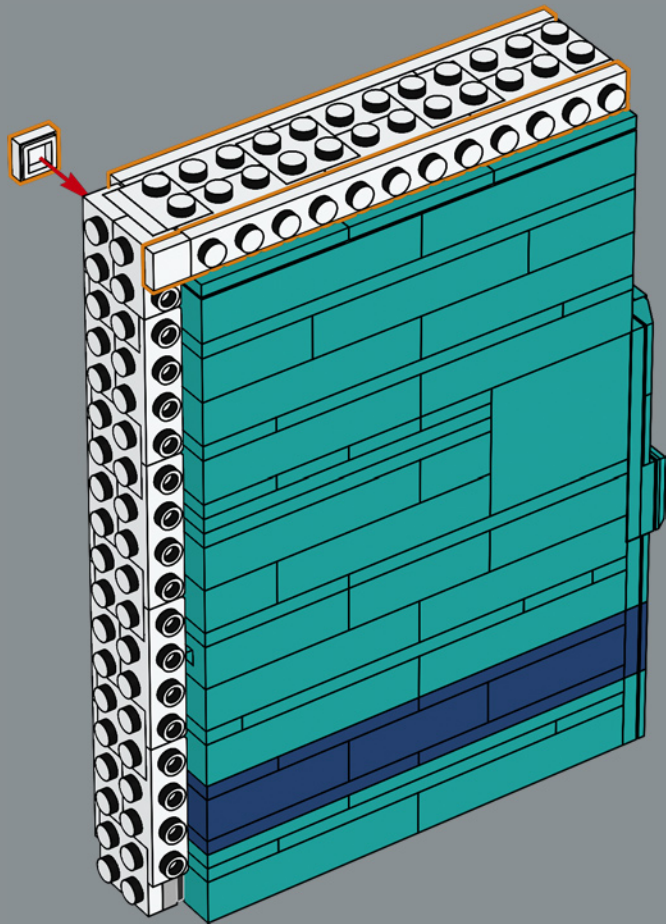


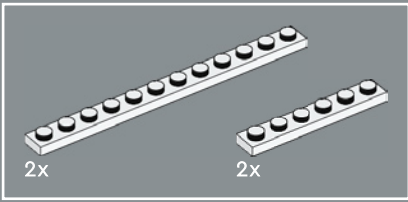
53



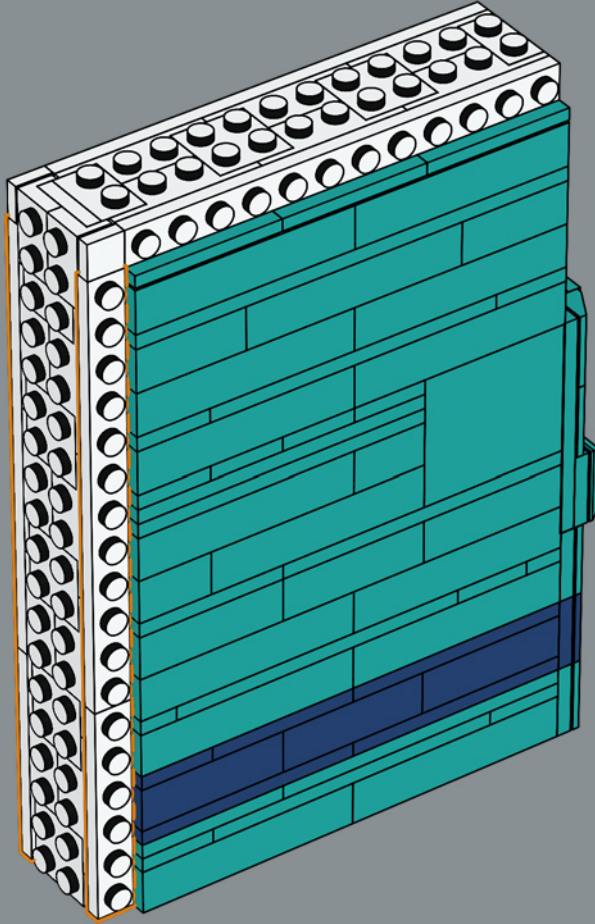


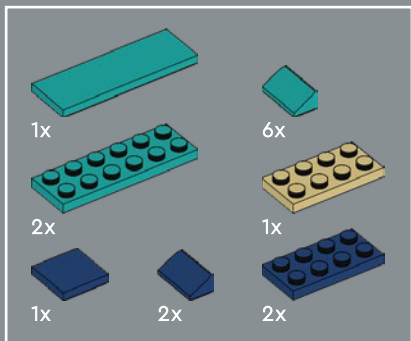
54





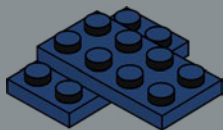
55



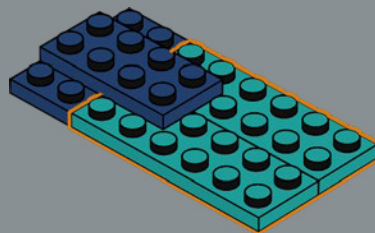


56

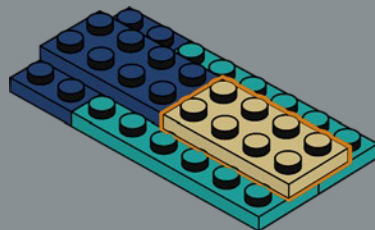
1

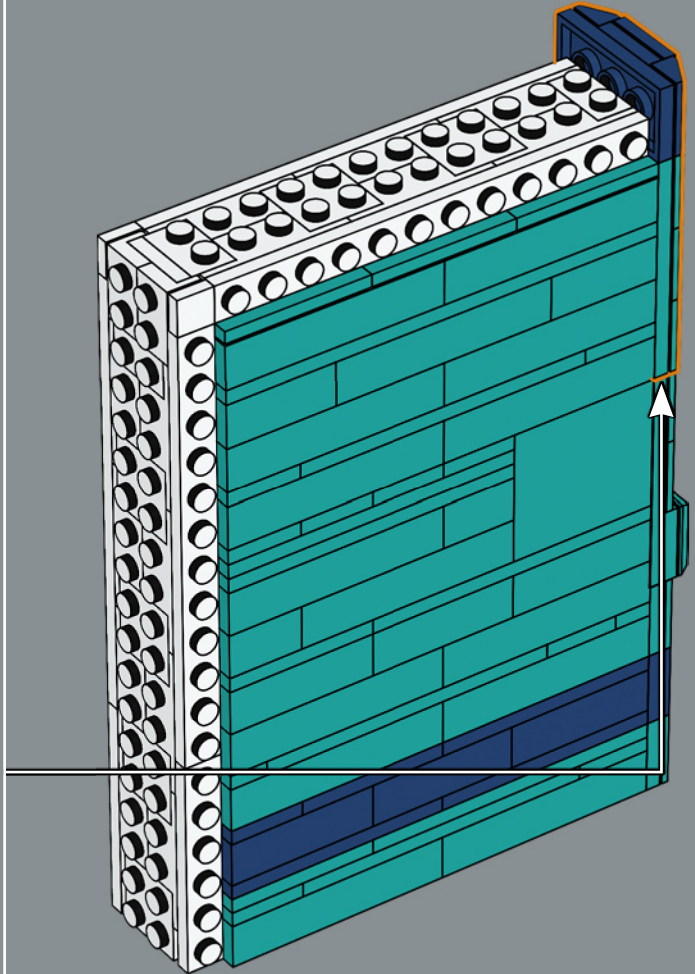
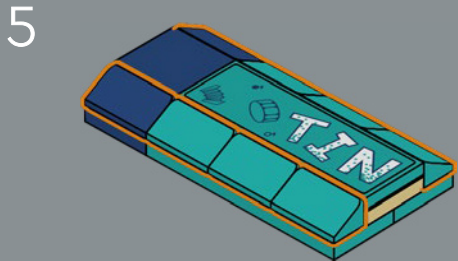
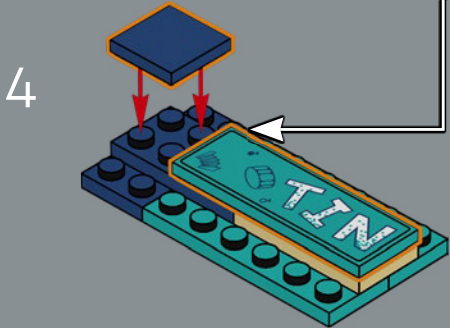
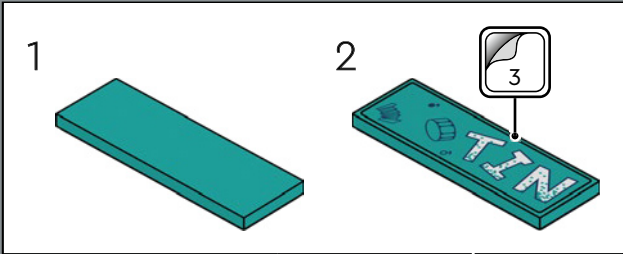


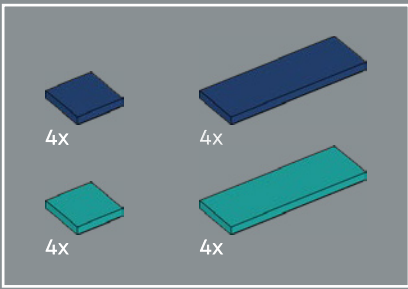
2



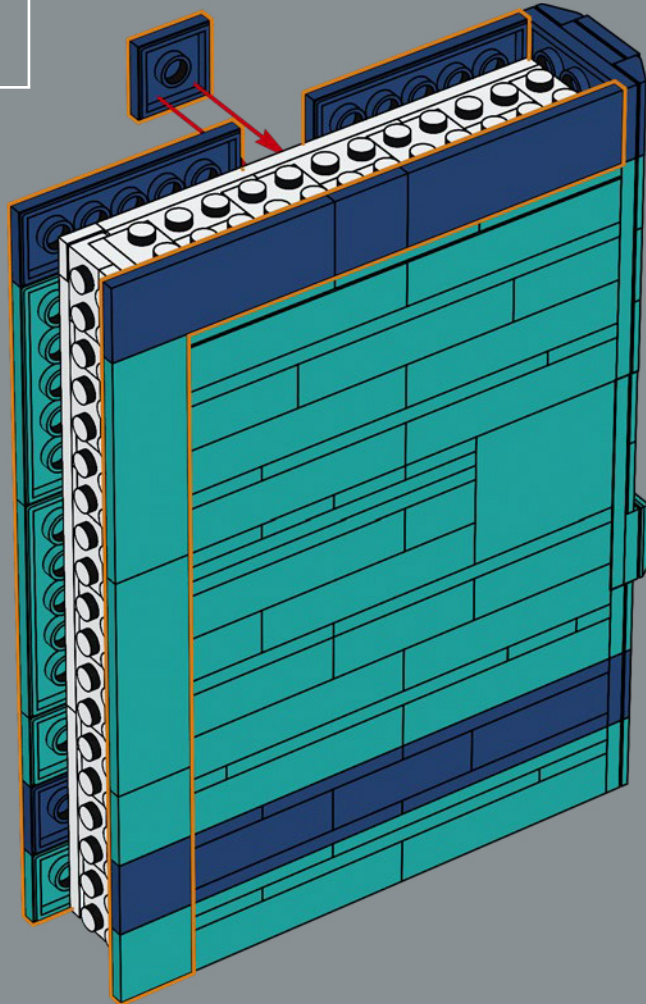
3





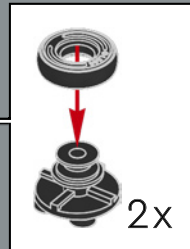
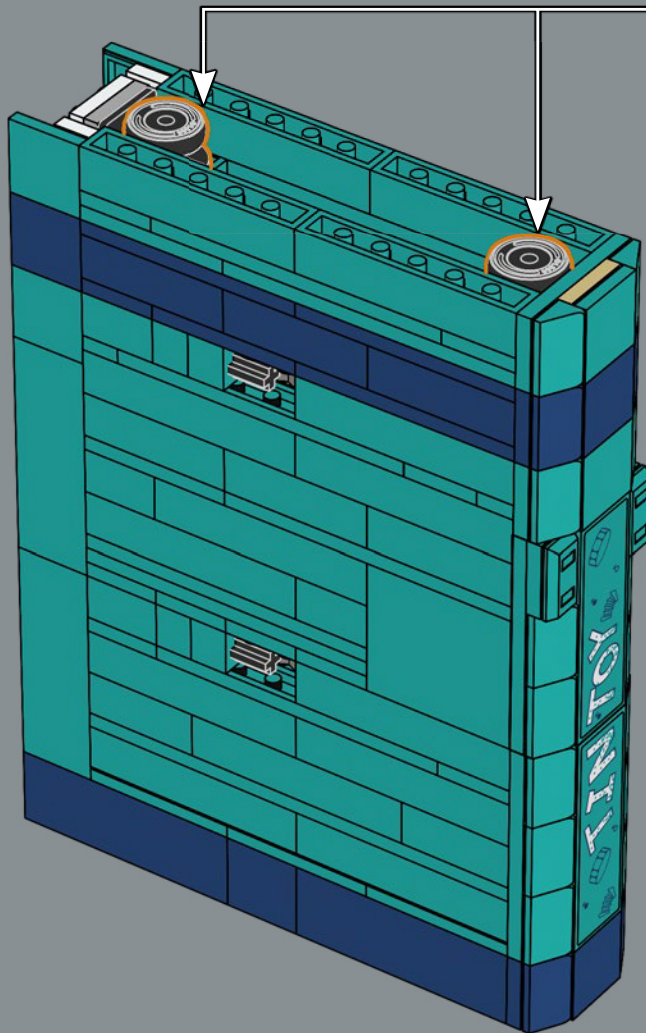


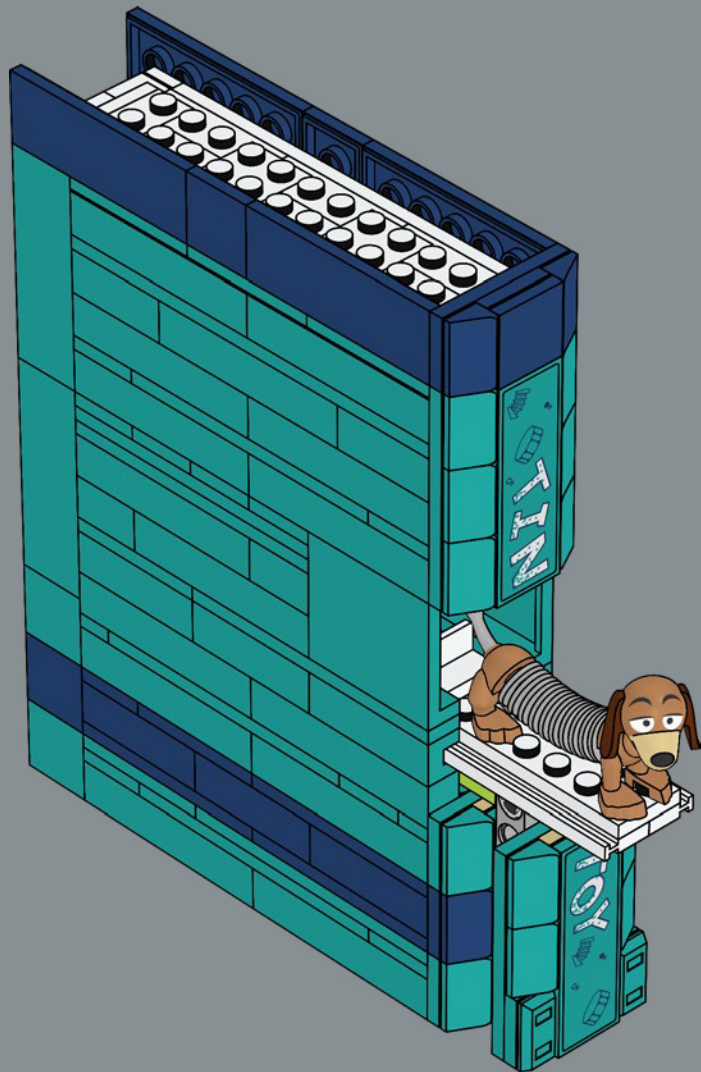
57





58









LEGO and the LEGO logo are trademarks of the/son des marques de commerce du/son marcas registradas de LEGO Group. ©2026 The LEGO Group.

© Disney/Pixar Slinky® Dog is a trademark of Just Play, LLC. © Just Play, LLC.

 6643592