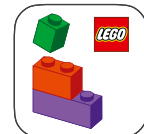


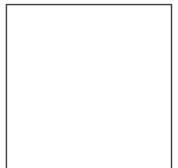


43301

Disney



LEGO® Builder





LEGO.com/sustainable-packaging



FR

**DONNEZ**  
OU  
**RECYCLEZ**



ASSOCIATION

OU



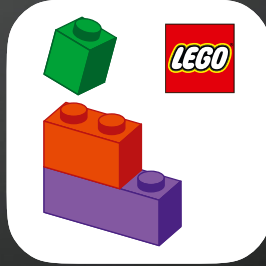
MAGASIN

OU



DÉCHÈTERIE

Adresses sur [quefairedemesdechets.fr](http://quefairedemesdechets.fr)



LEGO® Builder



# BUILDER



Apple and the Apple logo are trademarks of Apple Inc., registered in the U.S. and other countries and regions. App Store is a service mark of Apple Inc. Google Play and the Google Play logo are trademarks of Google LLC. Tencent and the Tencent logo are trademarks of Tencent Inc.

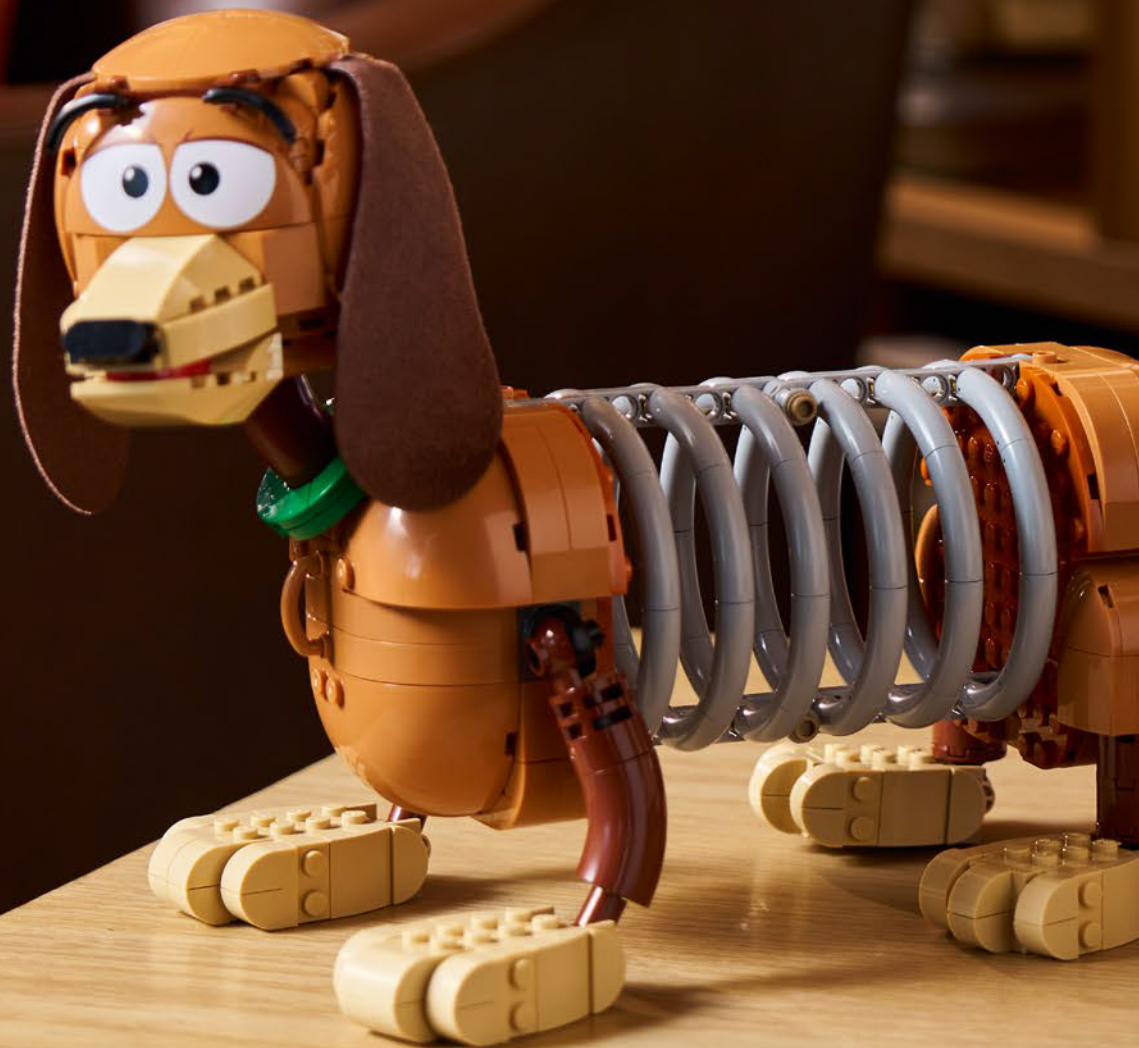
[LEGO.com/devicecheck](https://LEGO.com/devicecheck)



43304



43301

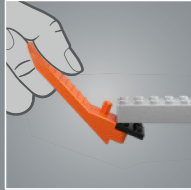
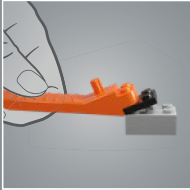
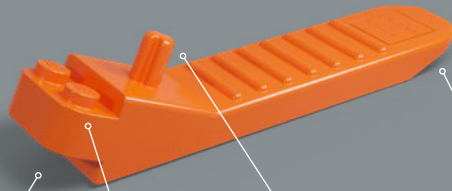


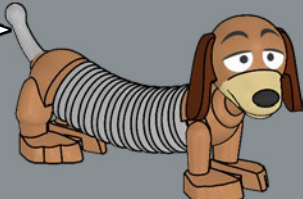
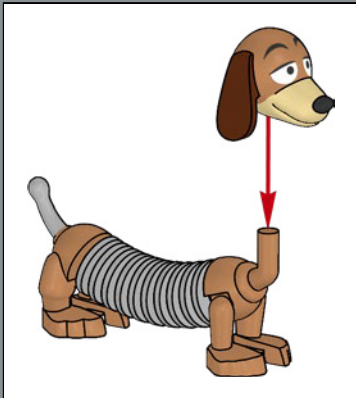


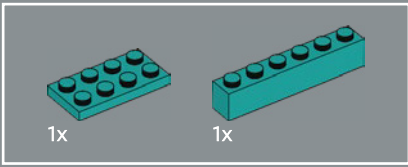
Knick Knack

TIN TOY

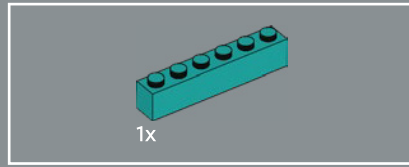
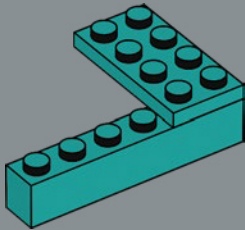




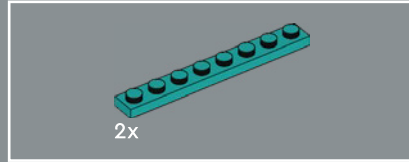
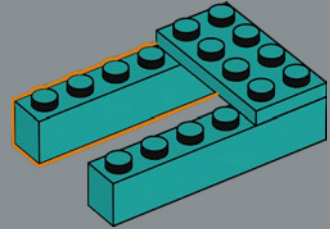




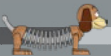
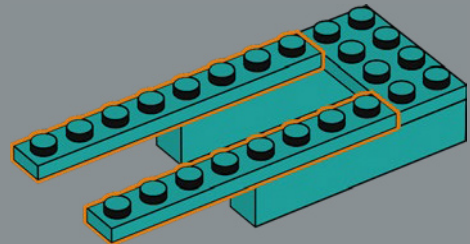
1

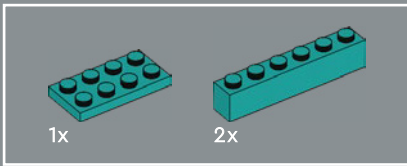


2

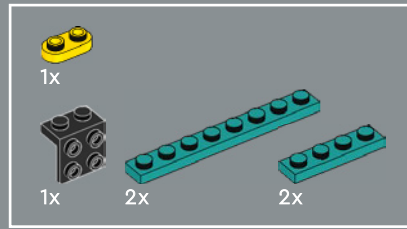
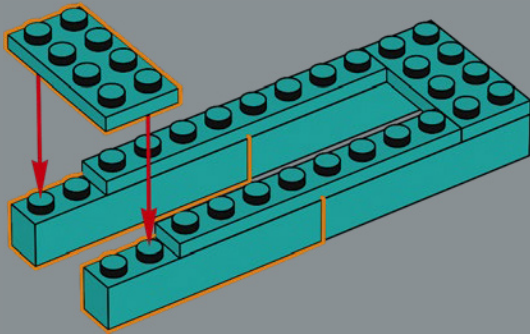


3

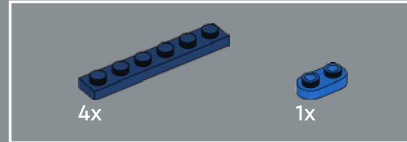
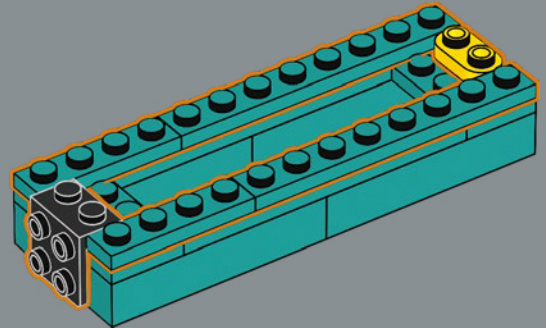




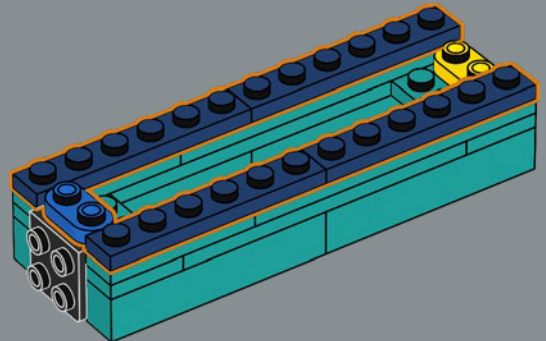
4

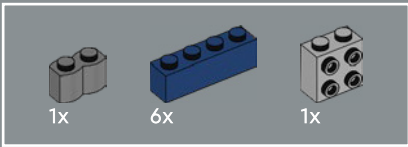


5

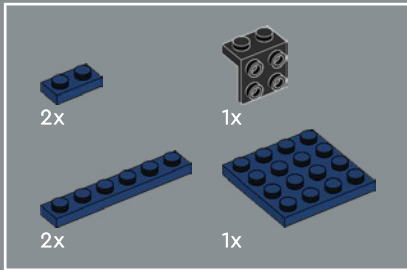


6

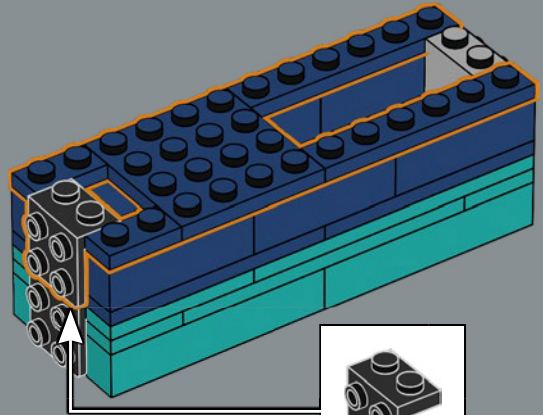
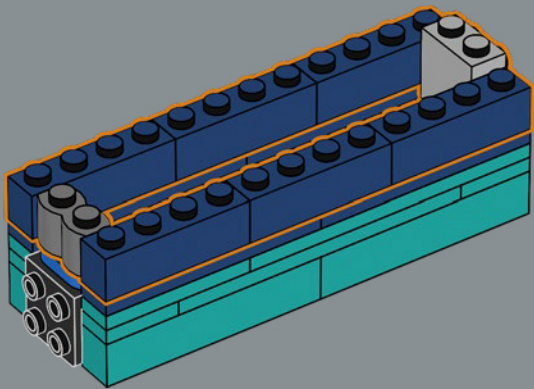


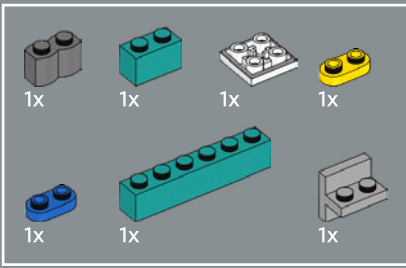


7

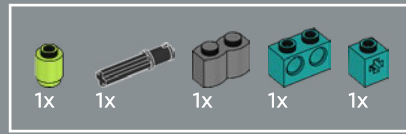
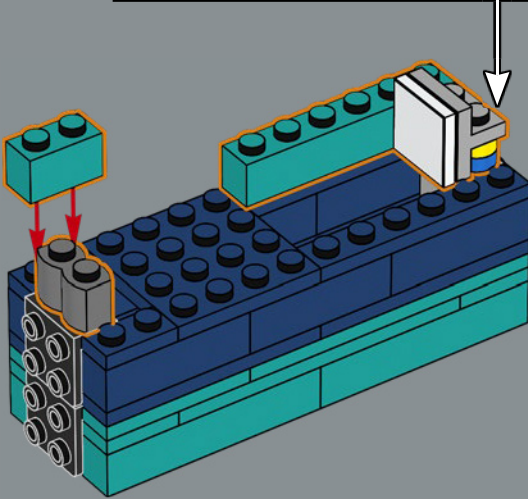
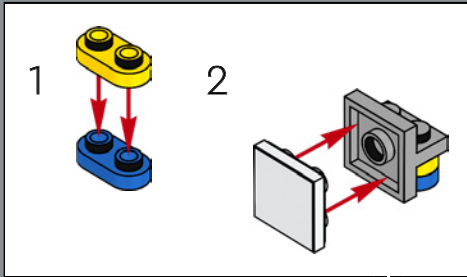


8

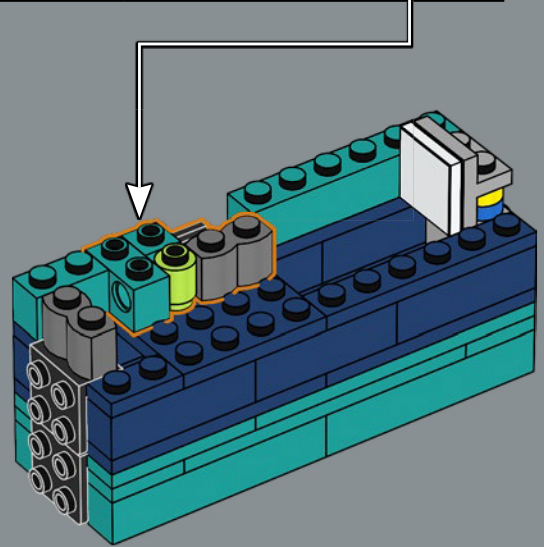
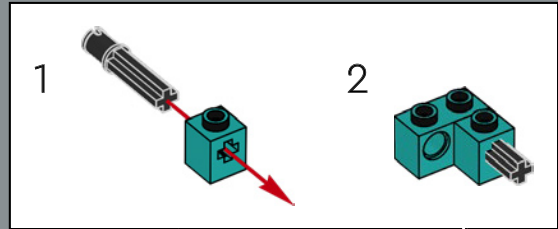


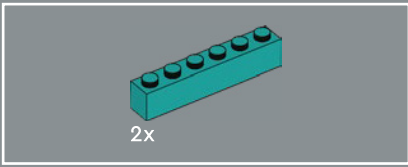


9

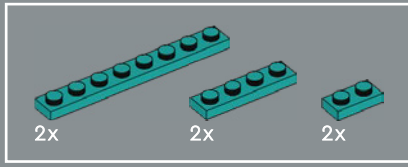


10

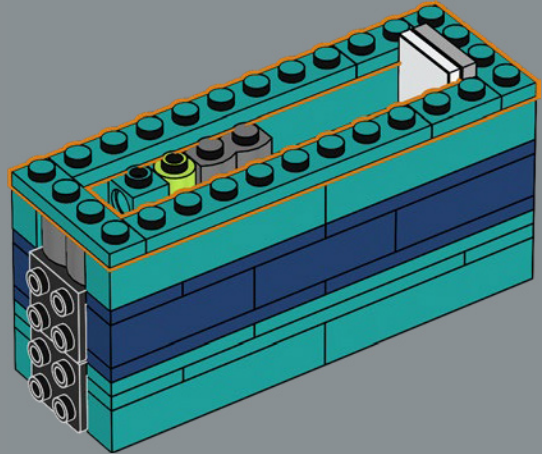
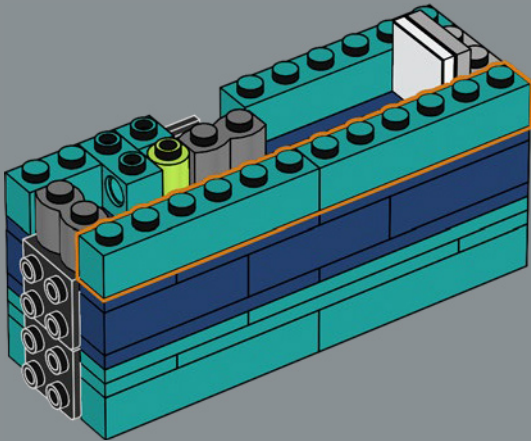


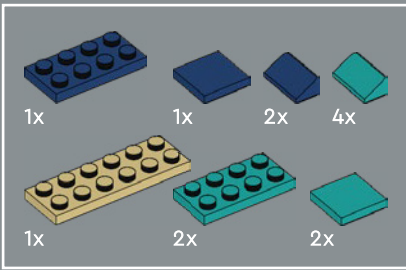


11



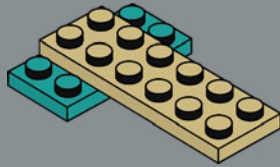
12



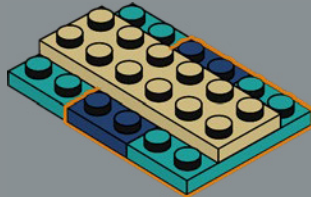


13

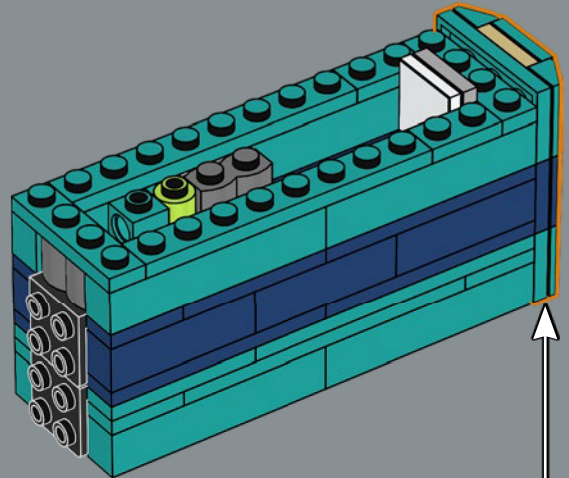
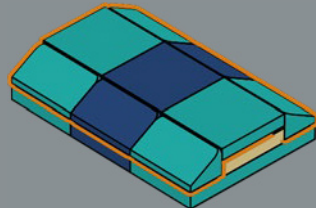
1

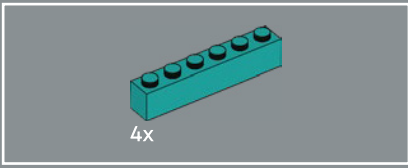


2

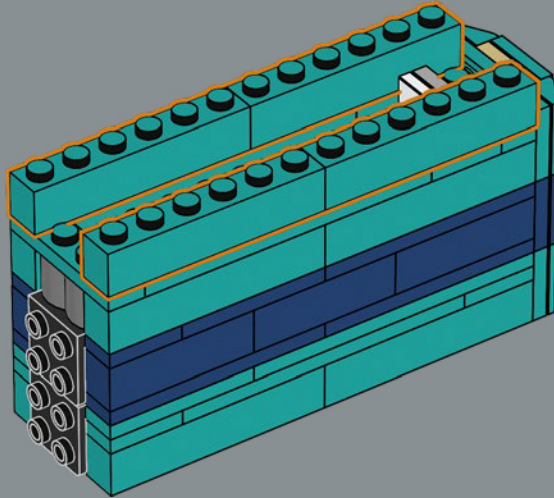


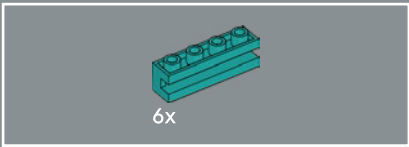
3



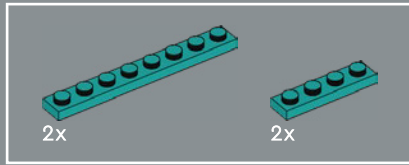
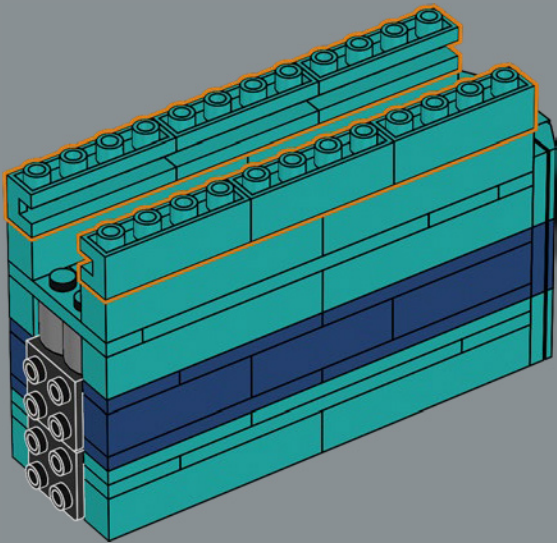


14

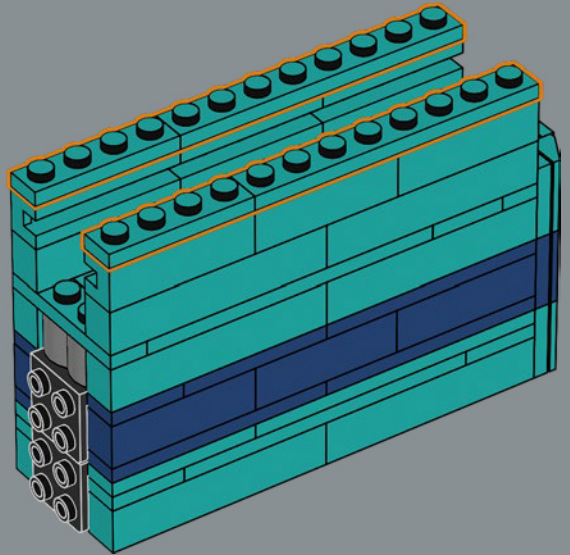


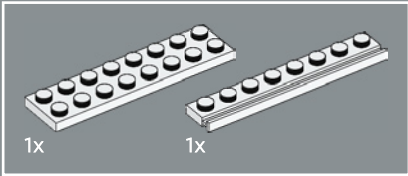
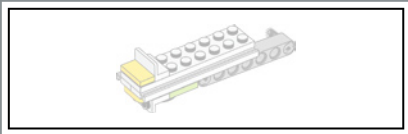


15

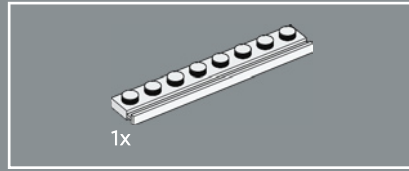
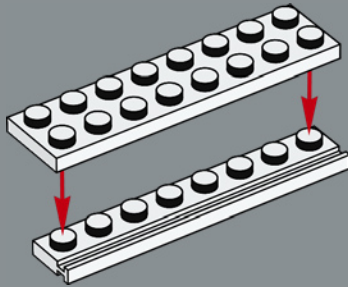


16

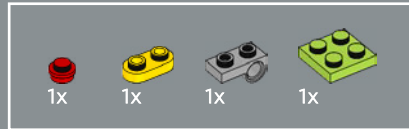
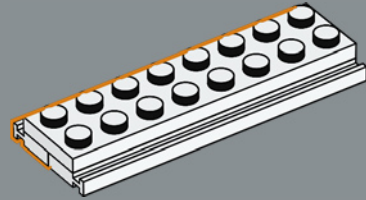




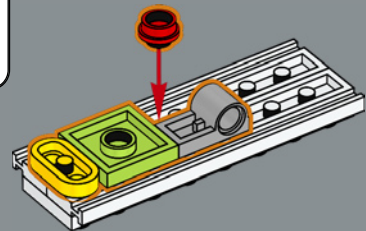
17



18

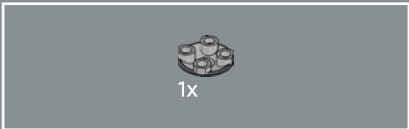
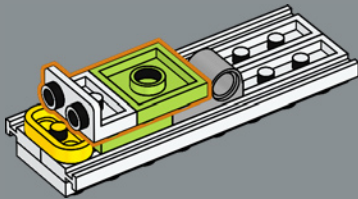


19

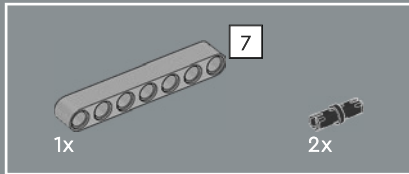
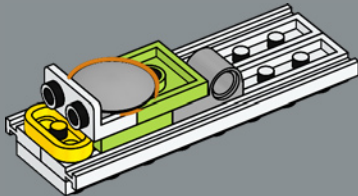




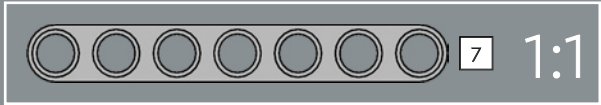
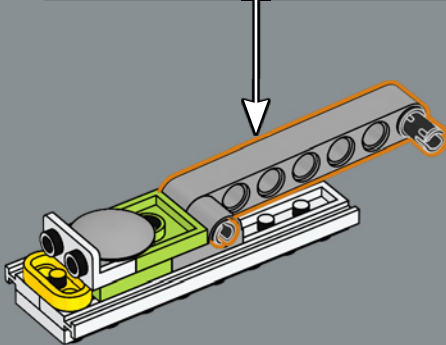
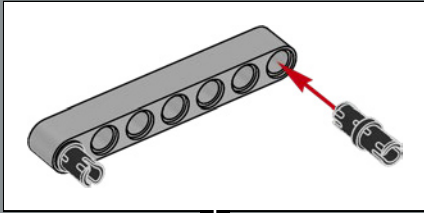
20

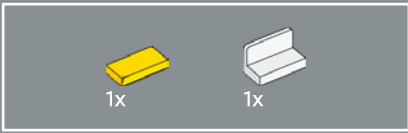


21

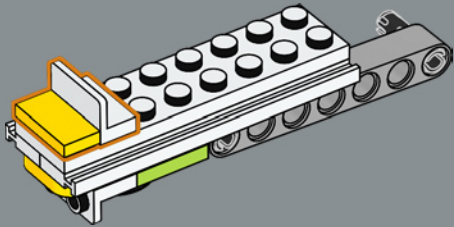


22

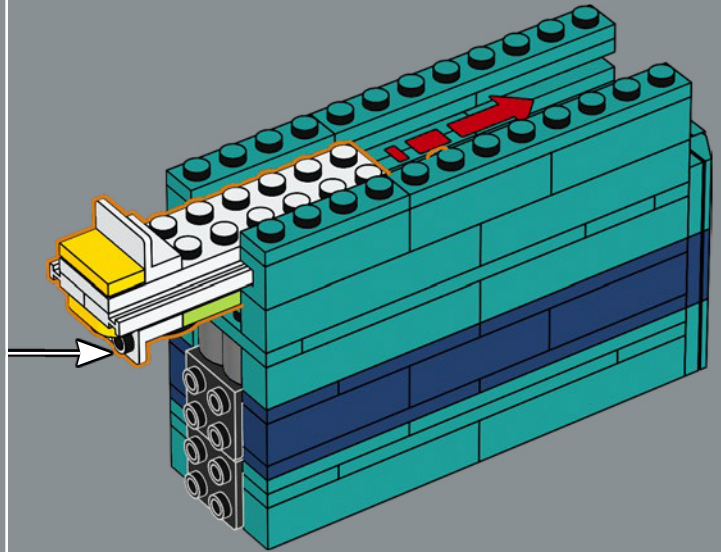




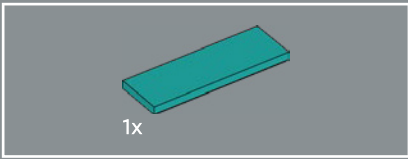
23



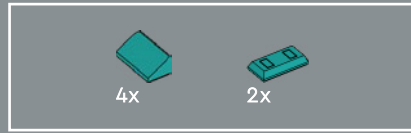
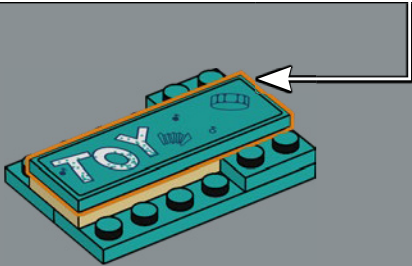
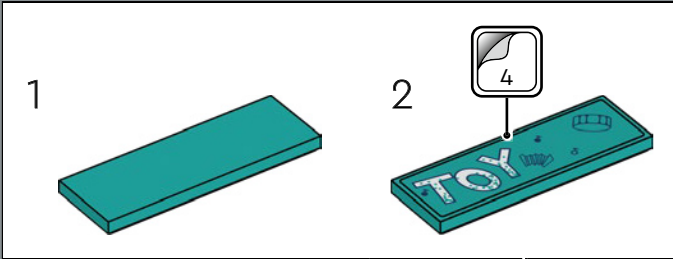
24



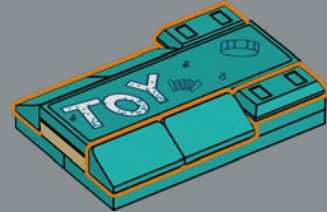


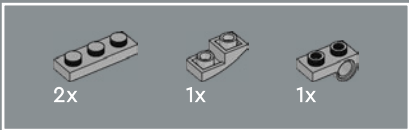


28

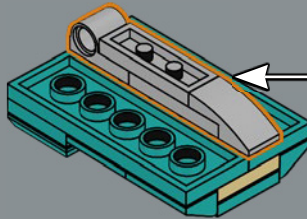
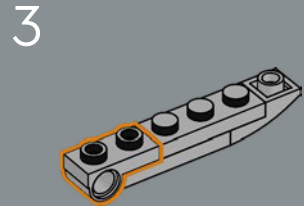
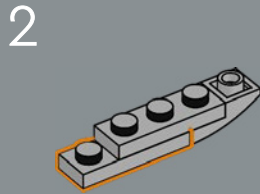
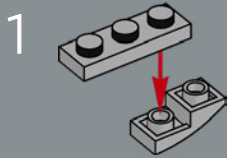


29

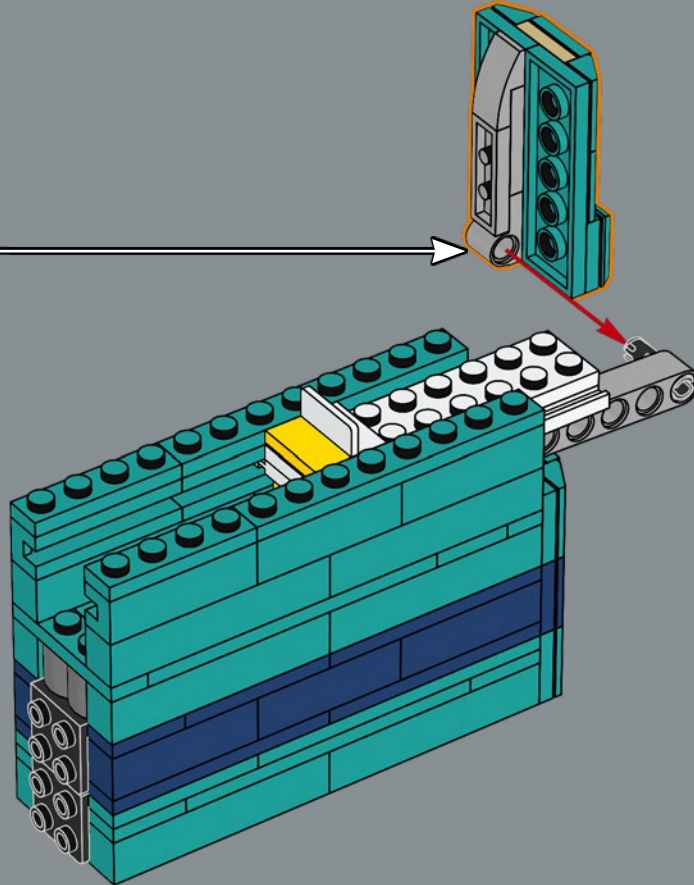


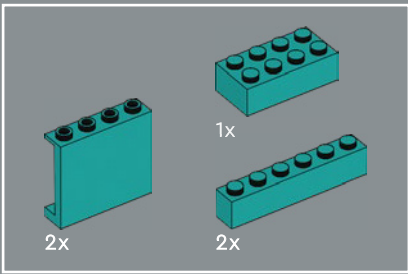


30

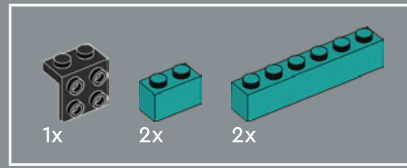
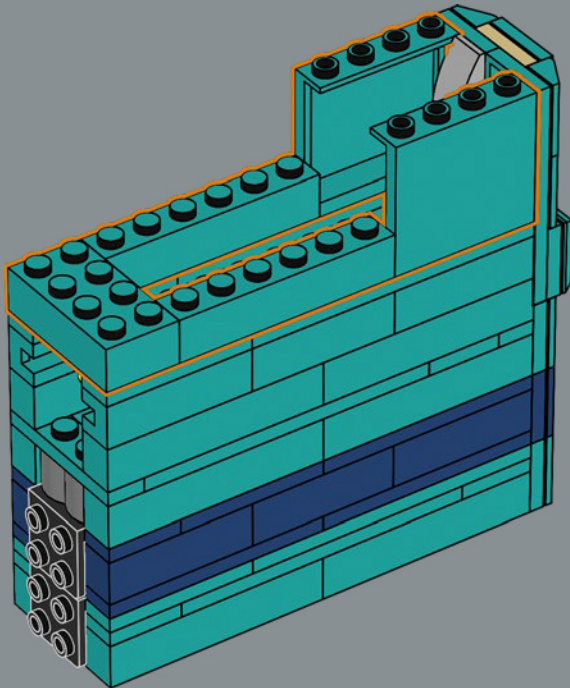


31

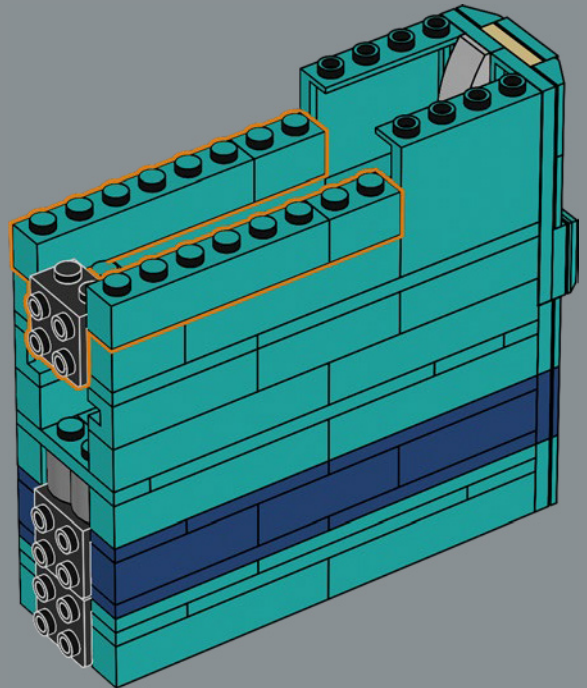


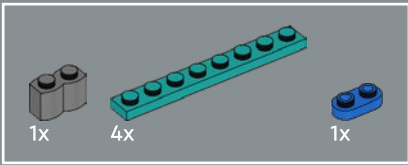


32

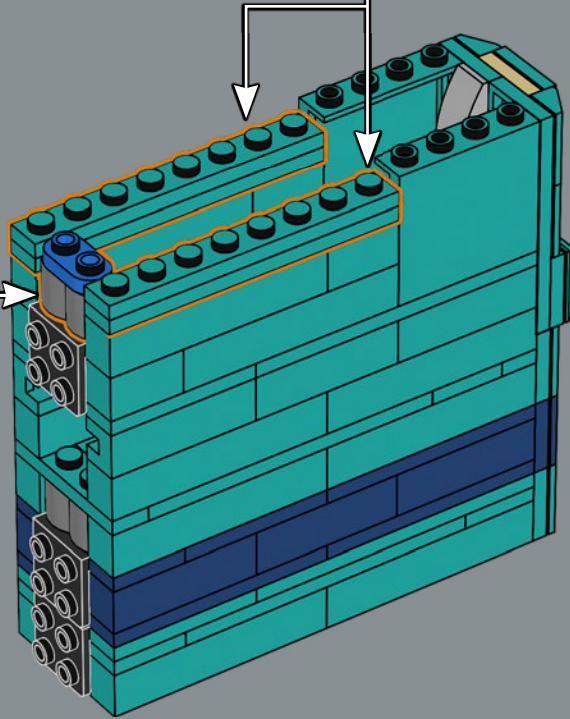
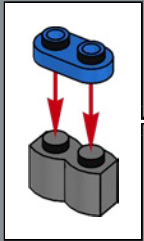
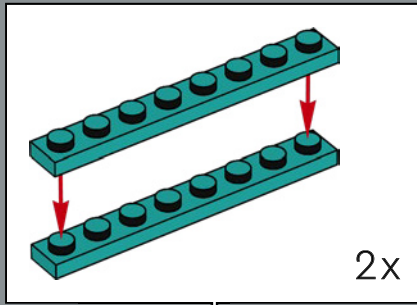


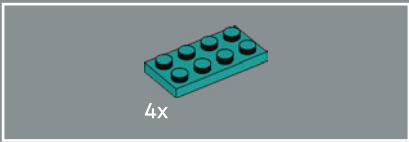
33



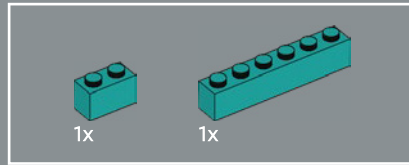
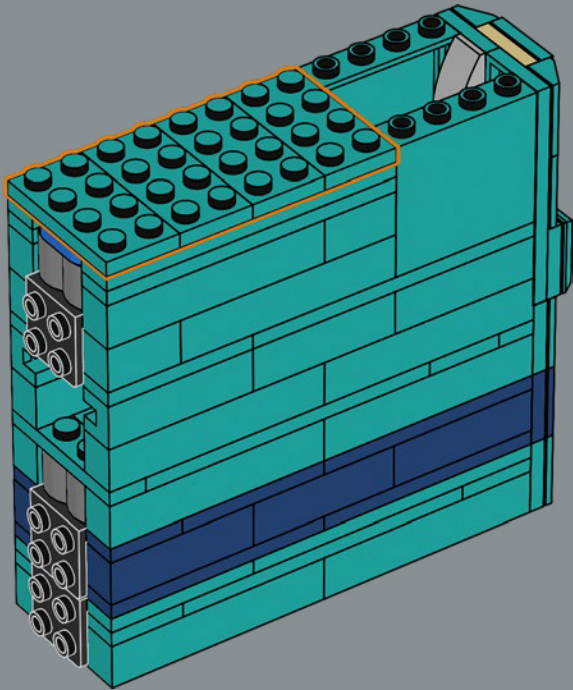


34

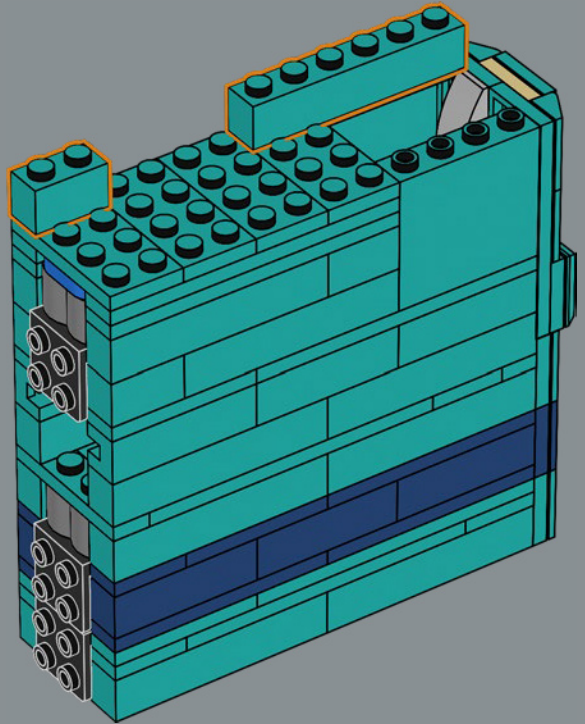


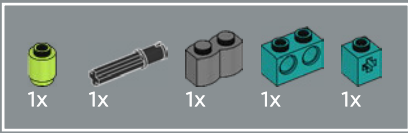


35

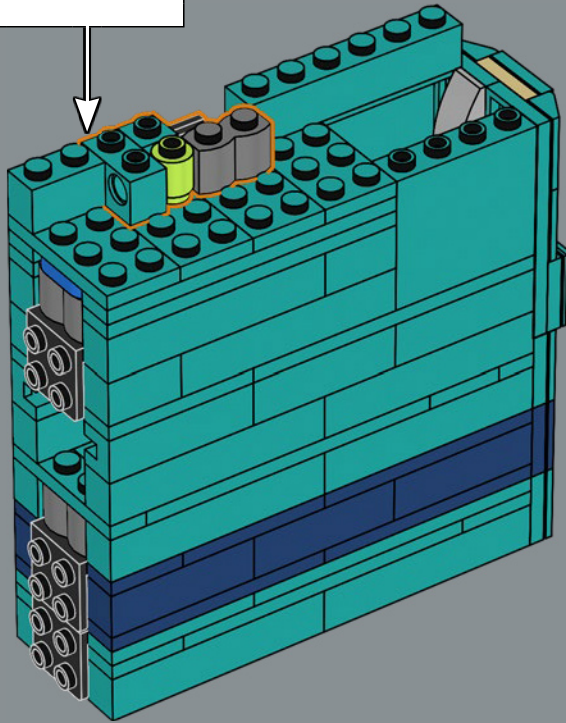
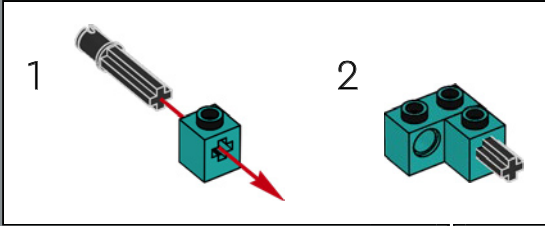


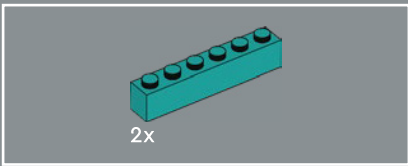
36



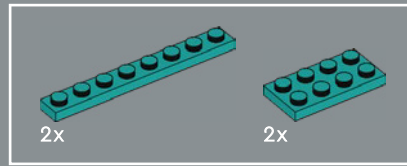
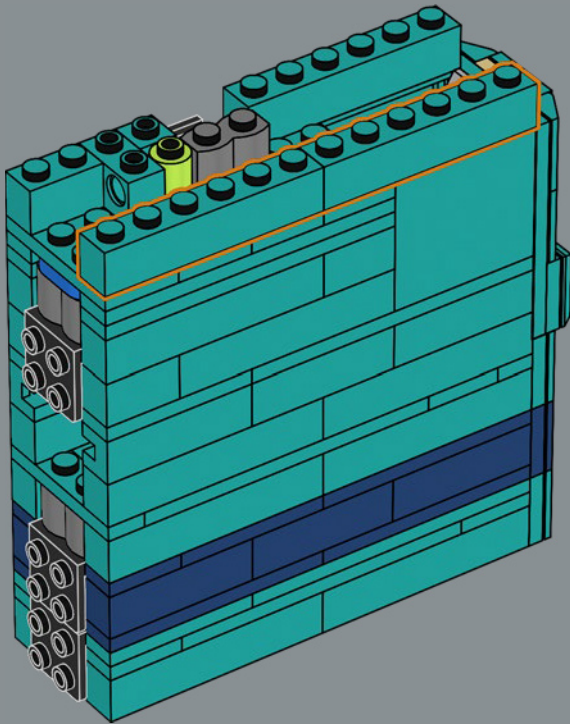


37

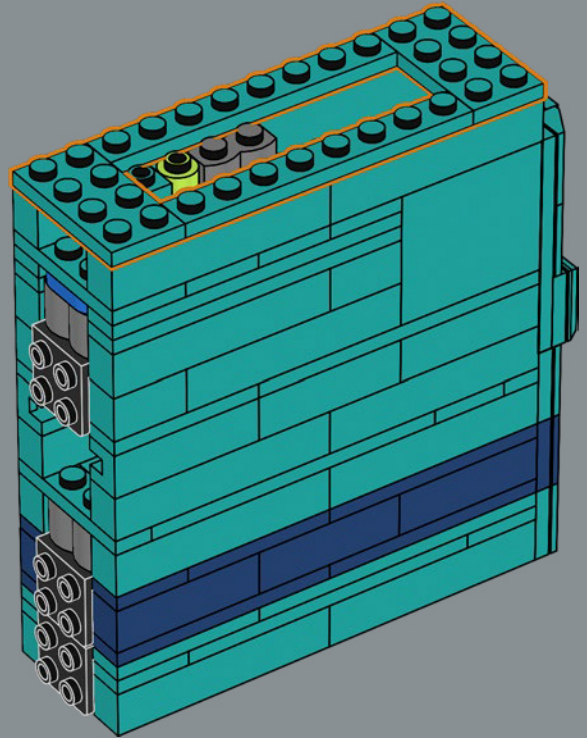


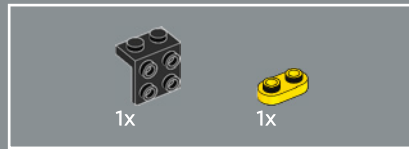


38

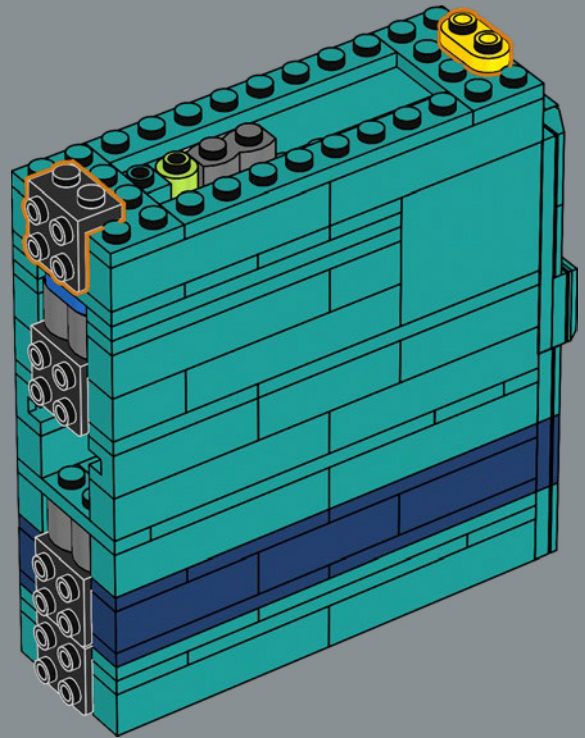


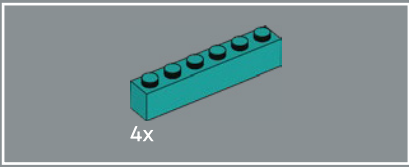
39



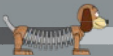
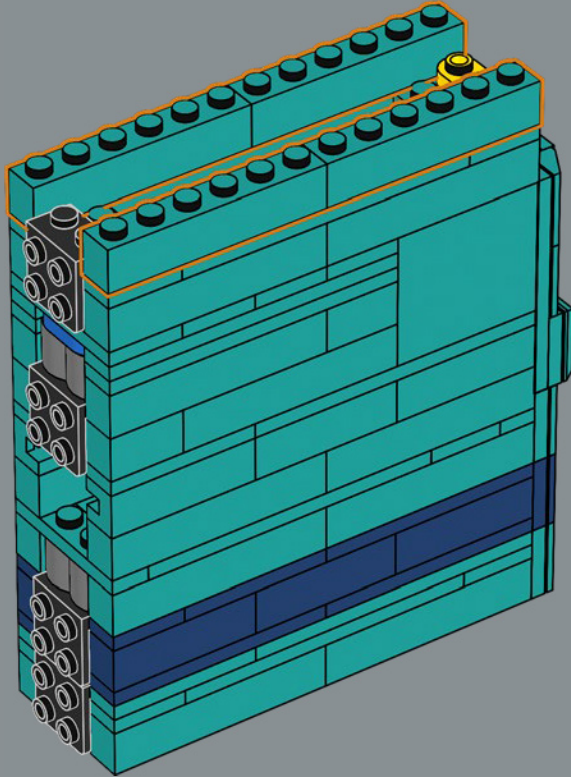


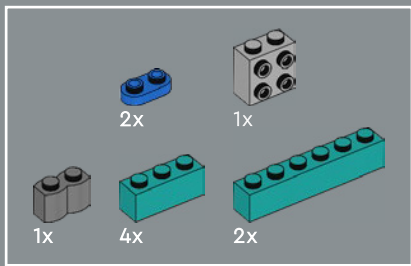
40



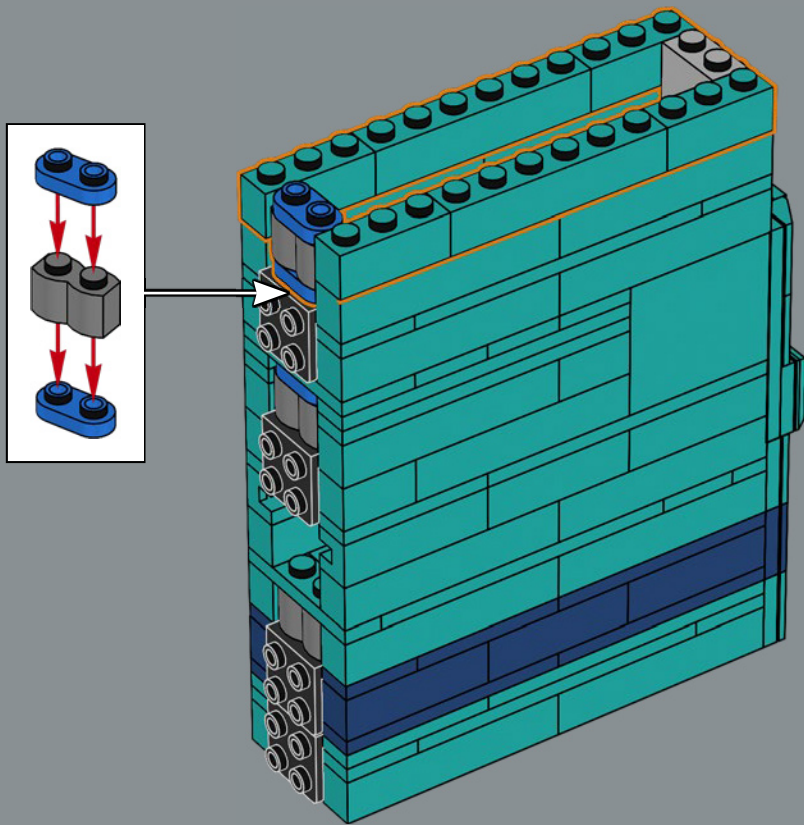


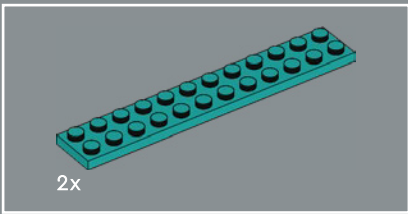
41



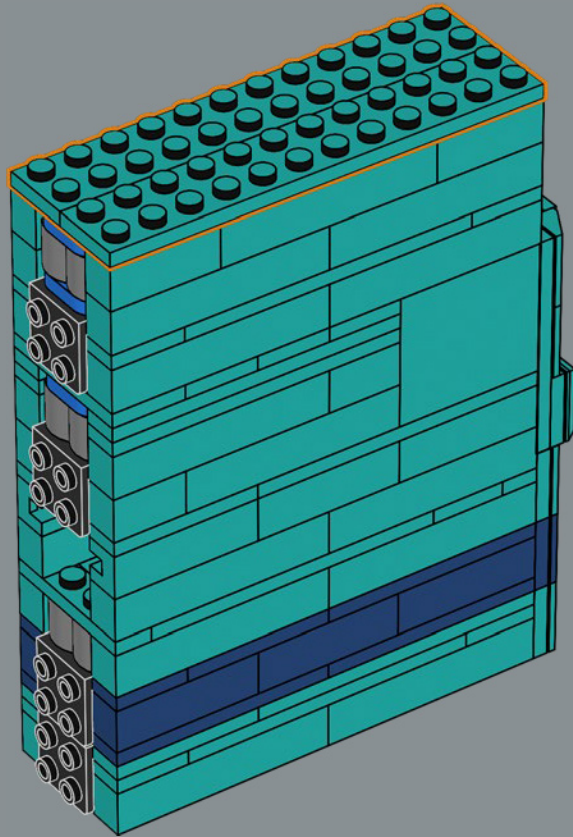


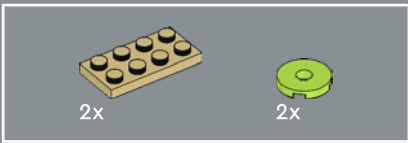
42



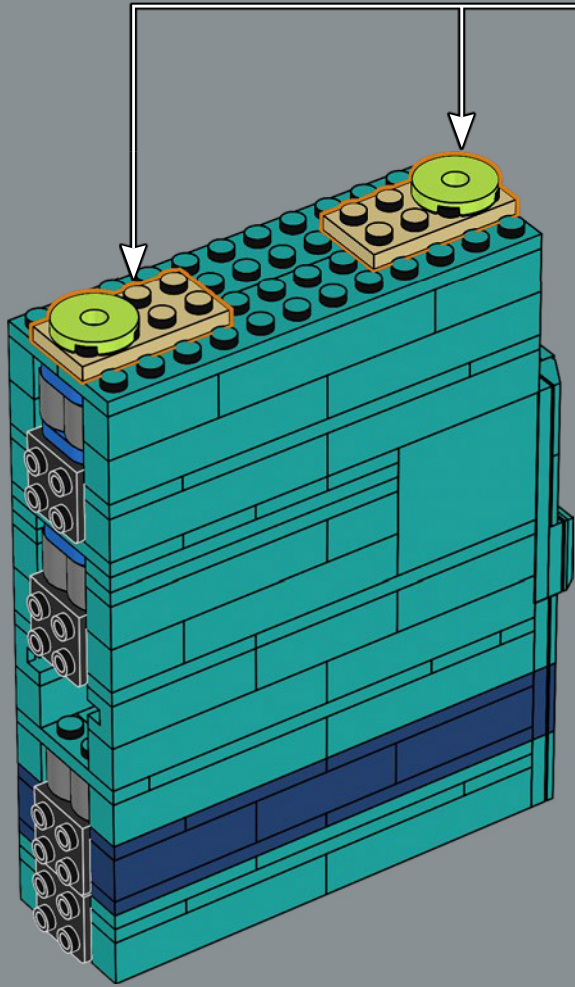
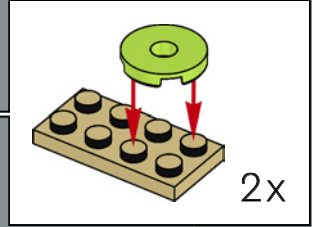


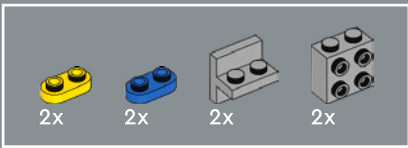
43



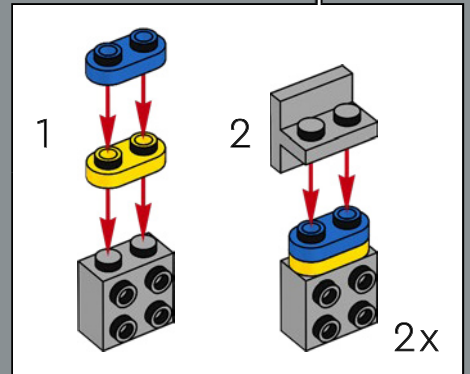
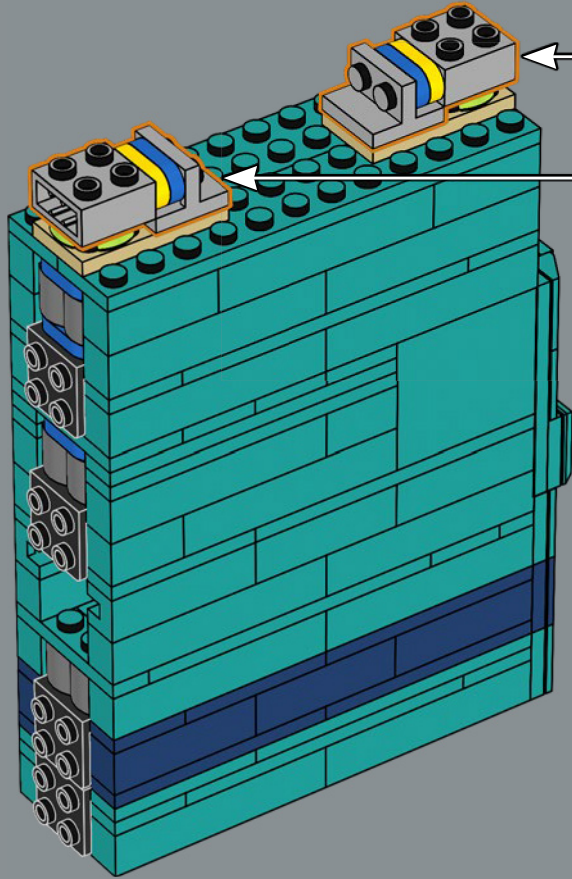


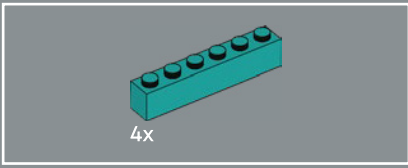
44



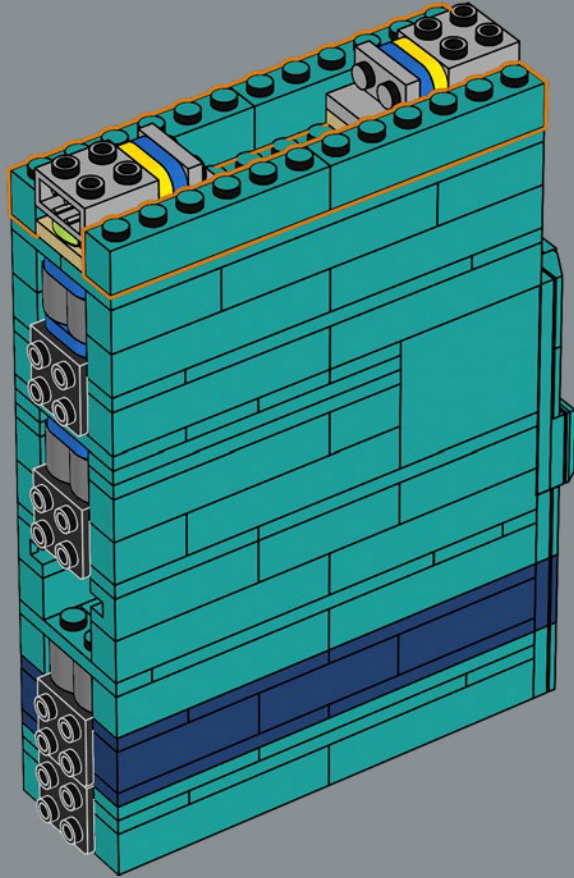


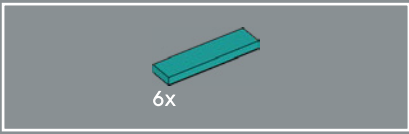
45



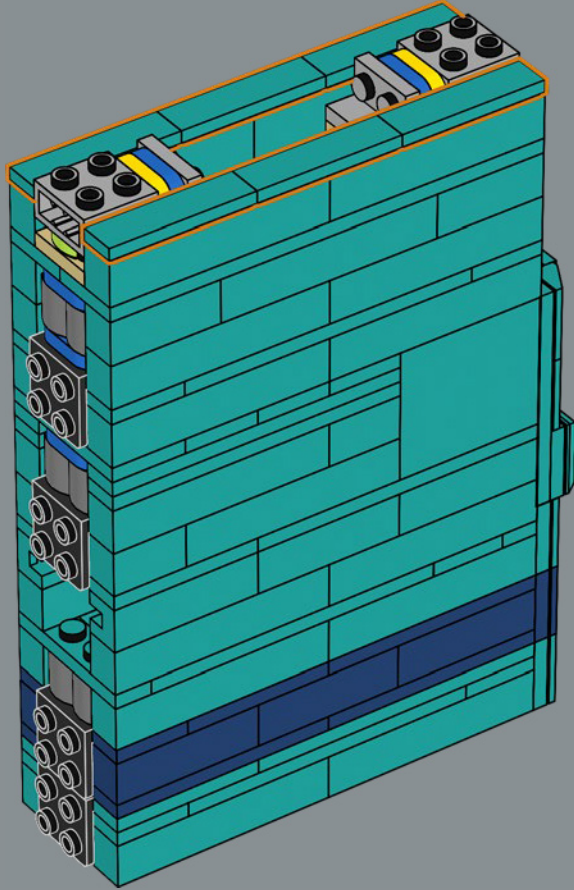


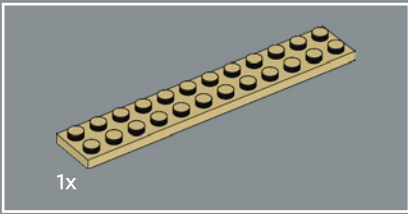
46



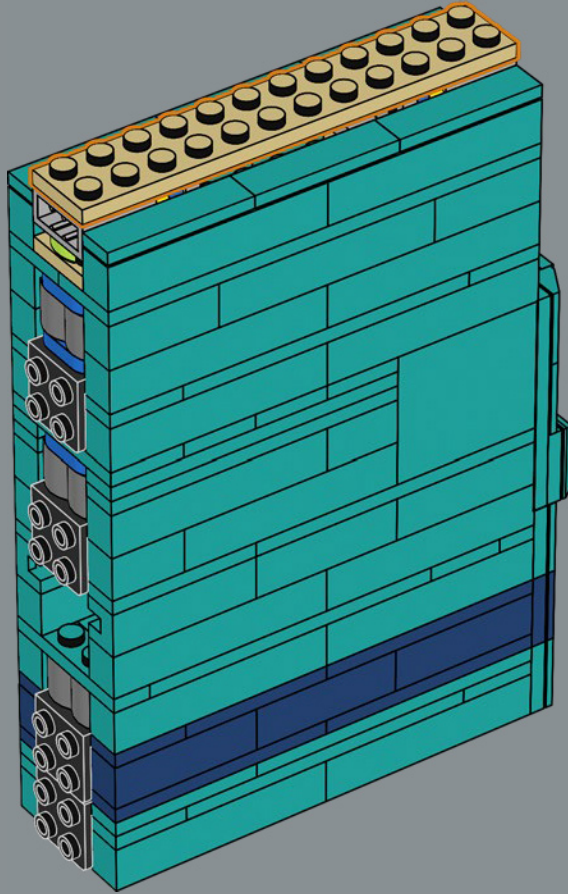


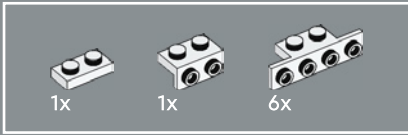
47



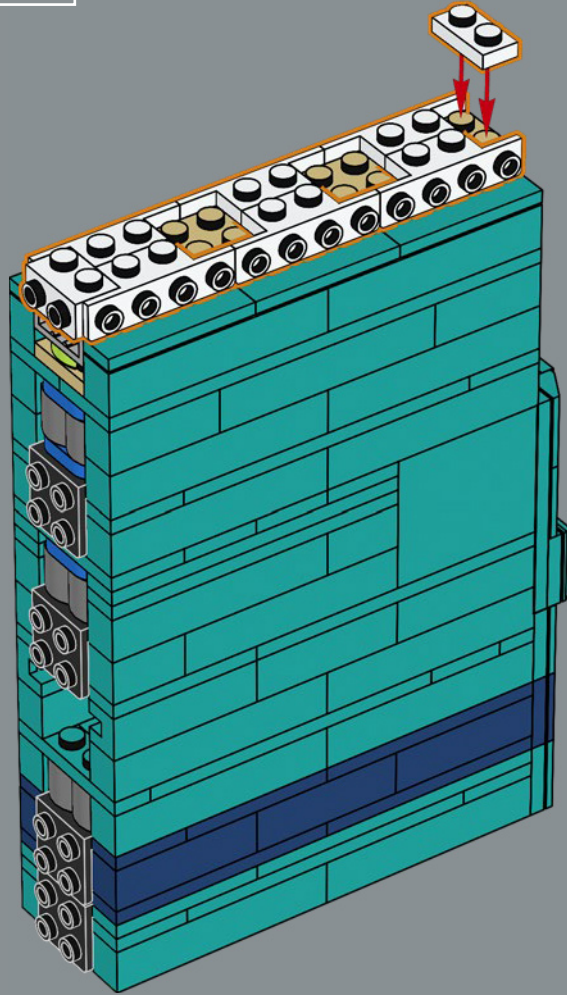


48





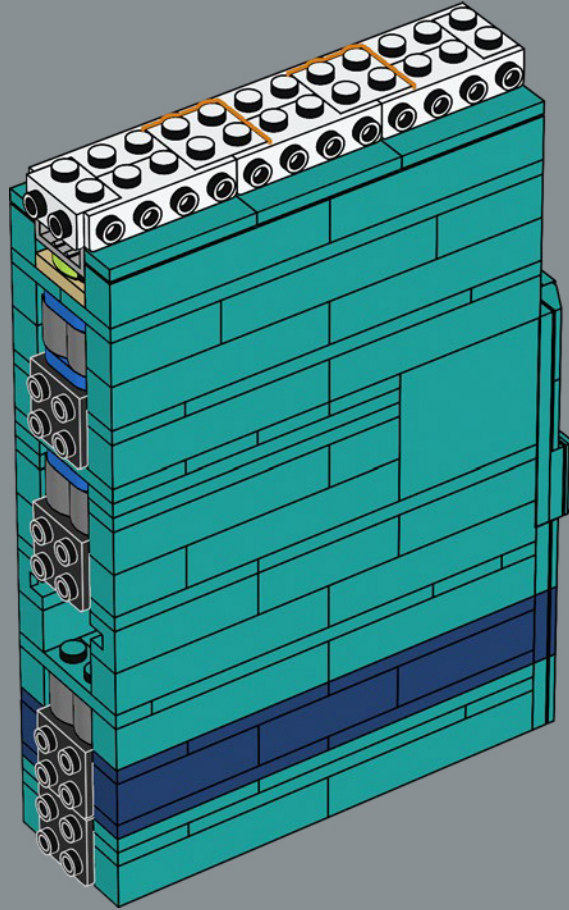
49

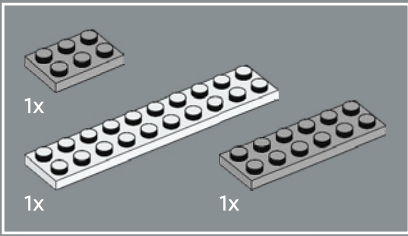




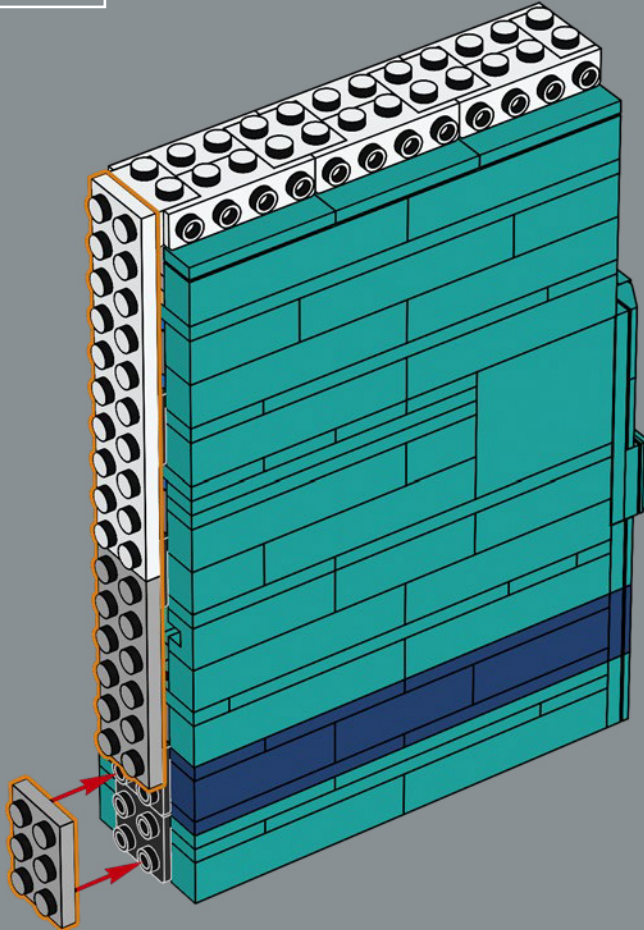
2x

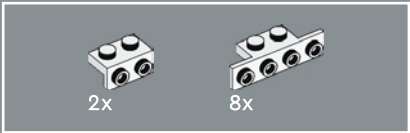
50



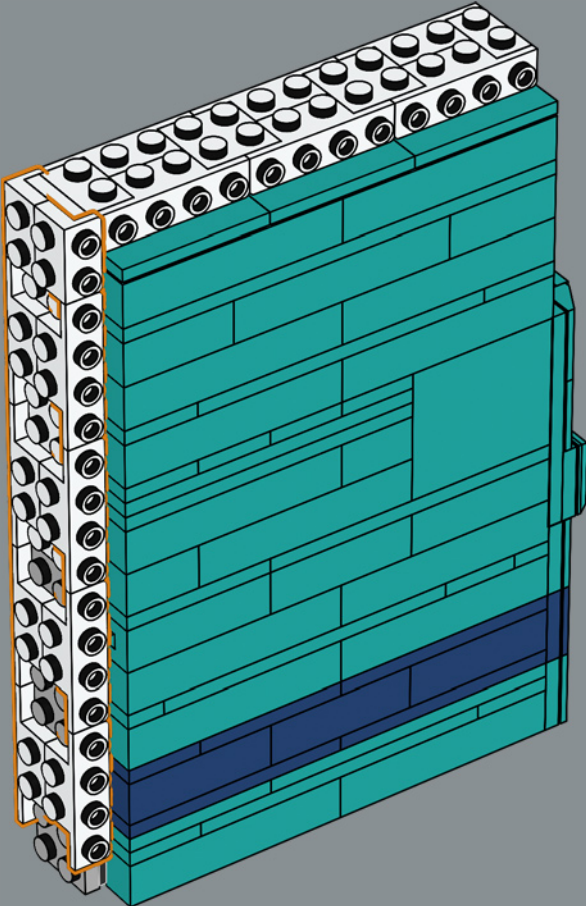


51



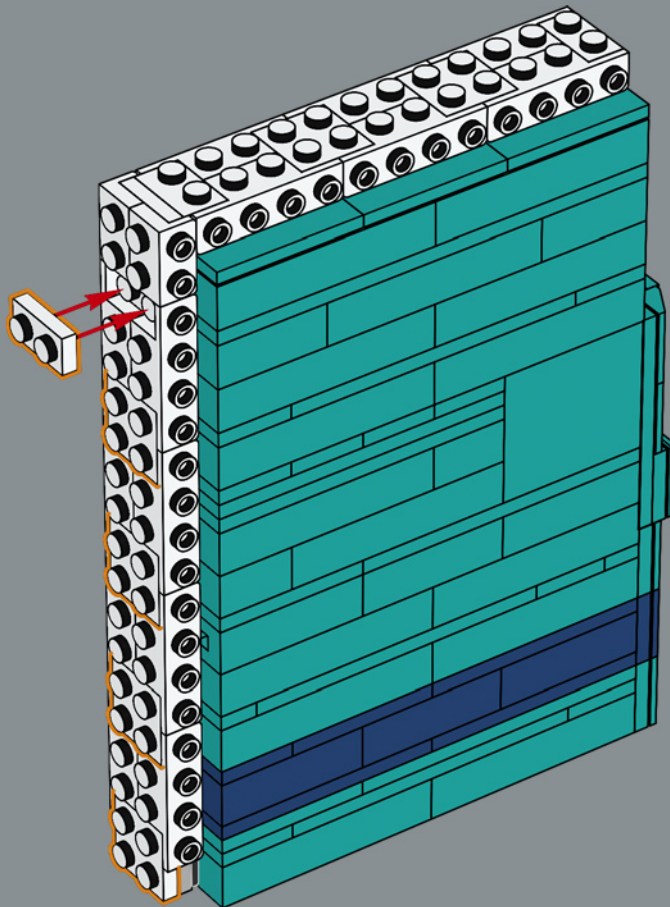


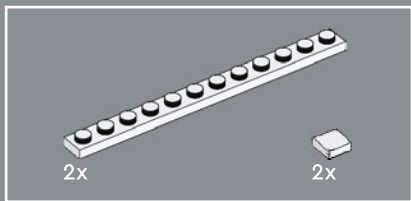
52



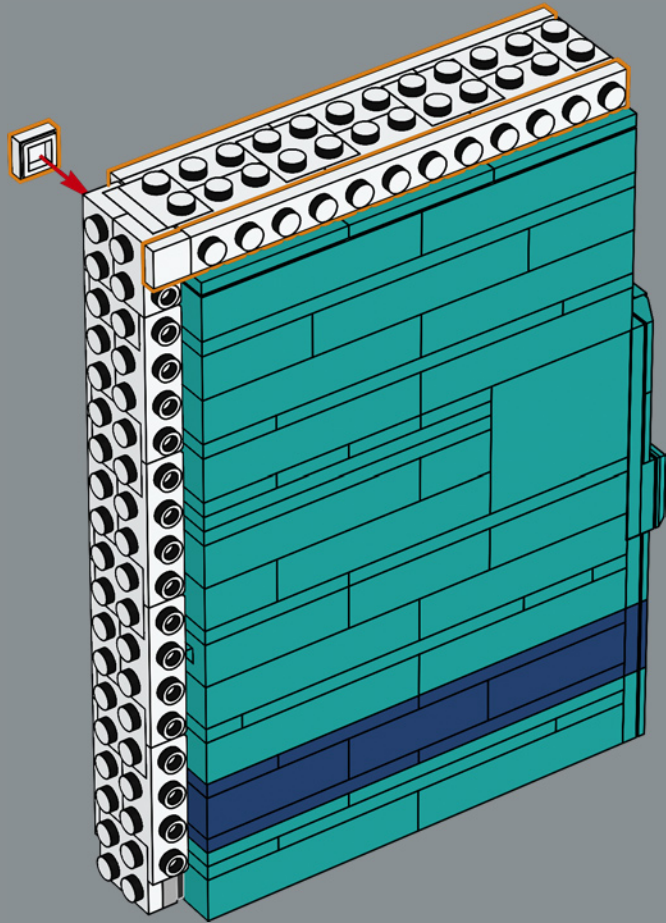


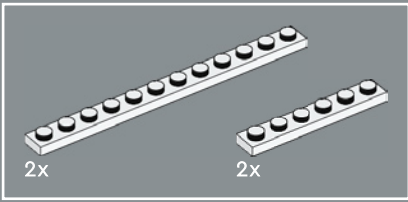
53



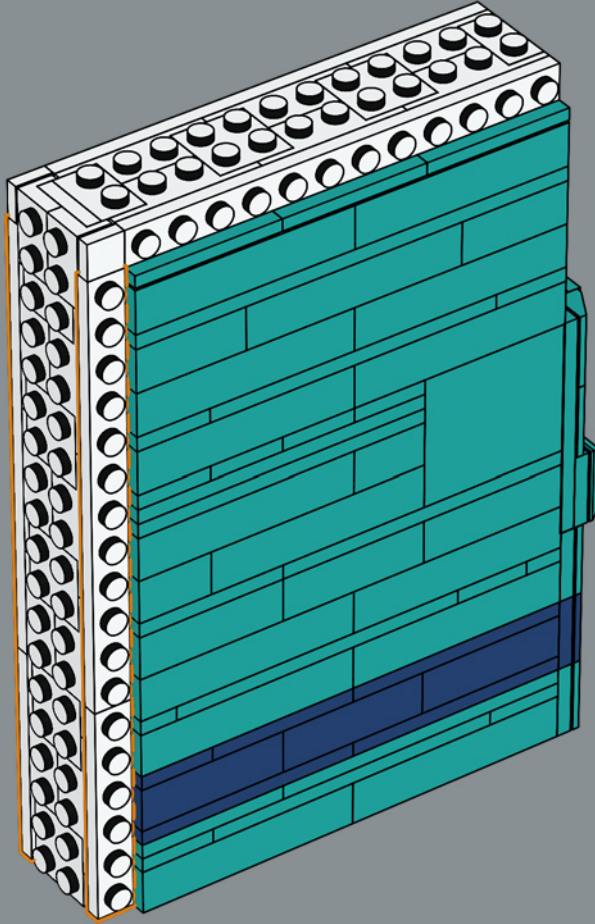


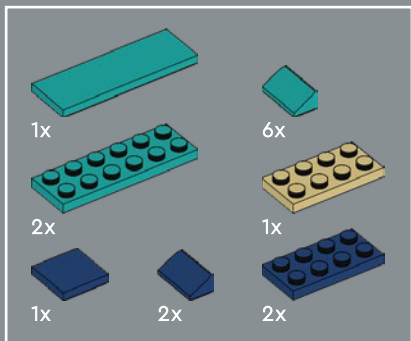
54





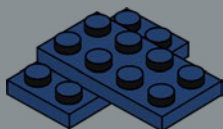
55



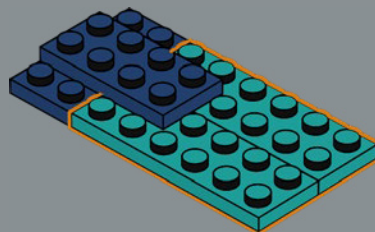


56

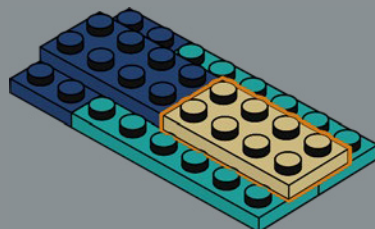
1

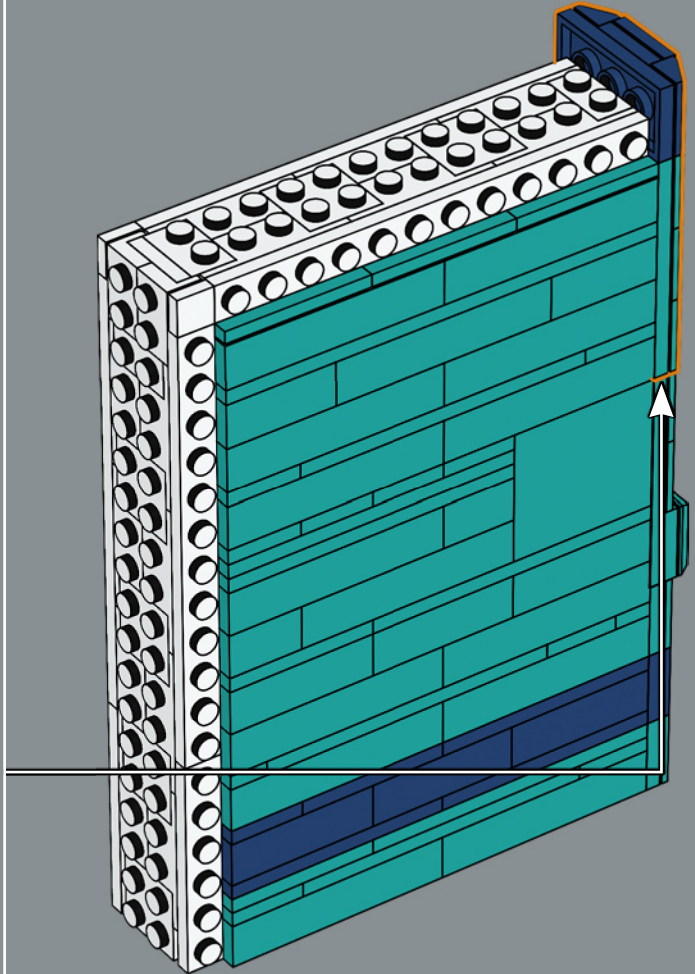
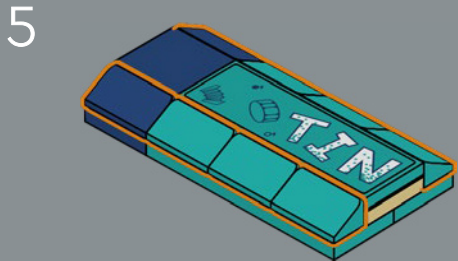
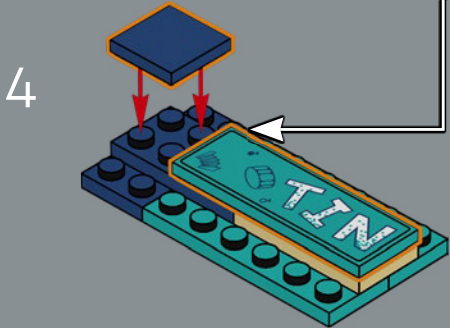
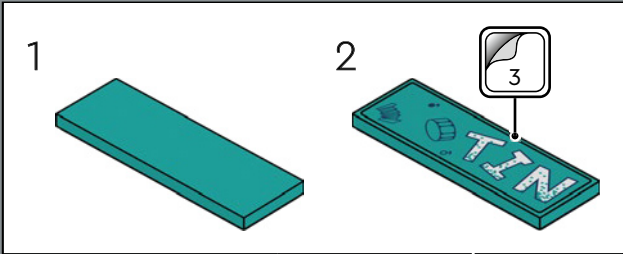


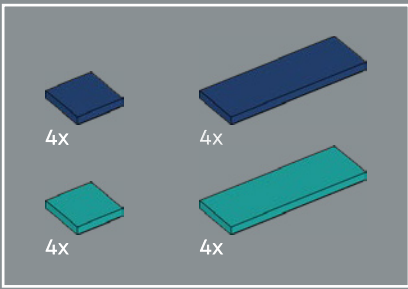
2



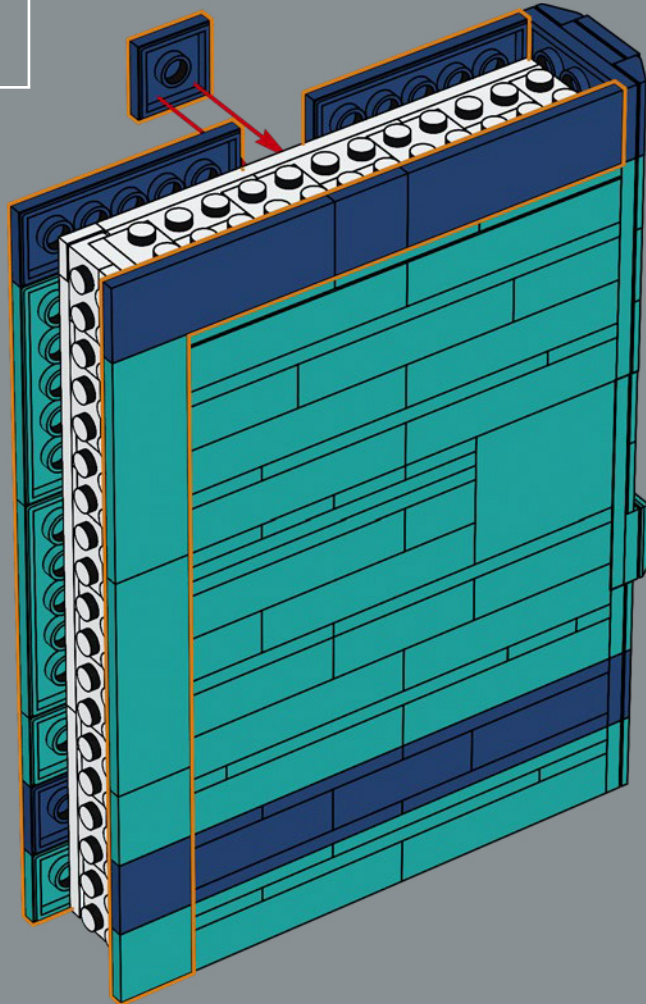
3





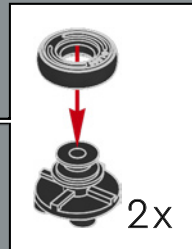
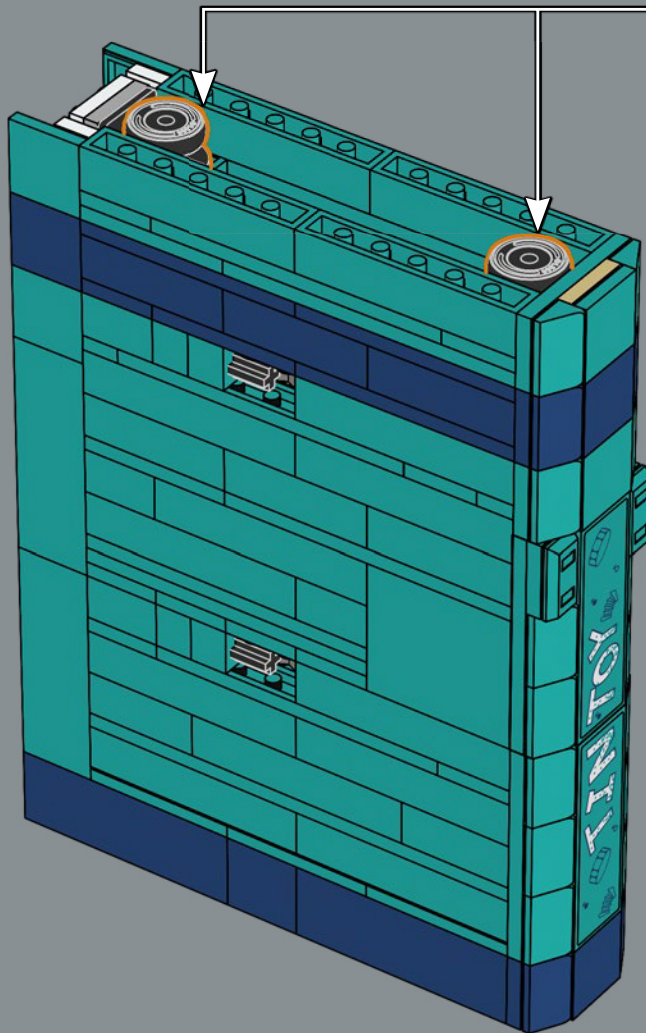


57





58









LEGO and the LEGO logo are trademarks of the LEGO Group. ©2026 The LEGO Group.

© Disney/Pixar Slinky® Dog is a trademark of Just Play, LLC. © Just Play, LLC.

 6643587