



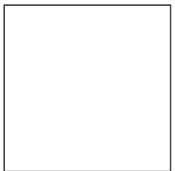
10341



Booklet available in English on
Heft in deutscher Sprache erhältlich auf
Livret disponible en français sur
Libretto disponibile in italiano su
Folleto en español disponible en
如需中文版手册, 请访问



LEGO® Builder





LEGO.com/sustainable-packaging



FR
**DONNEZ
OU
RECYCLEZ**



ASSOCIATION

OU



MAGASIN

OU



DÉCHÈTERIE

Adresses sur quefairedemesdechets.fr



BUILDER



Apple and the Apple logo are trademarks of Apple Inc., registered in the U.S. and other countries and regions. App Store is a service mark of Apple Inc. Google Play and the Google Play logo are trademarks of Google LLC. Tencent and the Tencent logo are trademarks of Tencent Inc.

LEGO.com/devicecheck



LEGO® Builder



A MATCH MADE IN SPACE

Our most important LEGO® mission is to inspire the builders of tomorrow. And why settle for the sky if we can push our limits into space? For more than 50 years, NASA has inspired new generations of creative, brave and groundbreaking explorers. Now, with the first Artemis mission successfully completed (in 2022), and more to follow in years to come, NASA returns to the Moon to establish a long-term human presence and scientific exploration on and in the orbit of the Moon. To begin this journey of discovery, NASA, in collaboration with international space agencies and experts in the field, has spearheaded the Space Launch System (SLS) and Orion spacecraft – their most powerful rocket and most capable spacecraft to date. Inspired by NASA's Artemis Block 1 rocket with the Orion spacecraft, this model replicates authentic details to land you in the front seat to as many imaginary rocket launches and thrilling space missions as you can imagine. Get ready to build your way to the Moon and beyond.



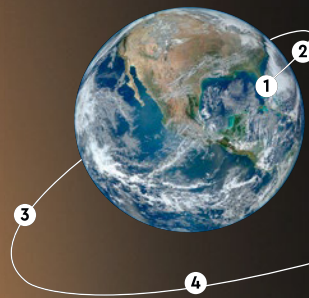
HISTORY IN THE MAKING

As part of the Artemis missions, NASA will land the first woman and first person of colour on the Moon.

At 4 million kg (8,818,490 lbs.) of thrust, the NASA SLS is the most powerful rocket built to date.

The Orion spacecraft travelled 69,000 kilometres (42,874.6 miles) beyond the Moon during the Artemis I mission, farther than any other spacecraft built for humans.

THE ARTEMIS I JOURNEY



1 LIFTOFF

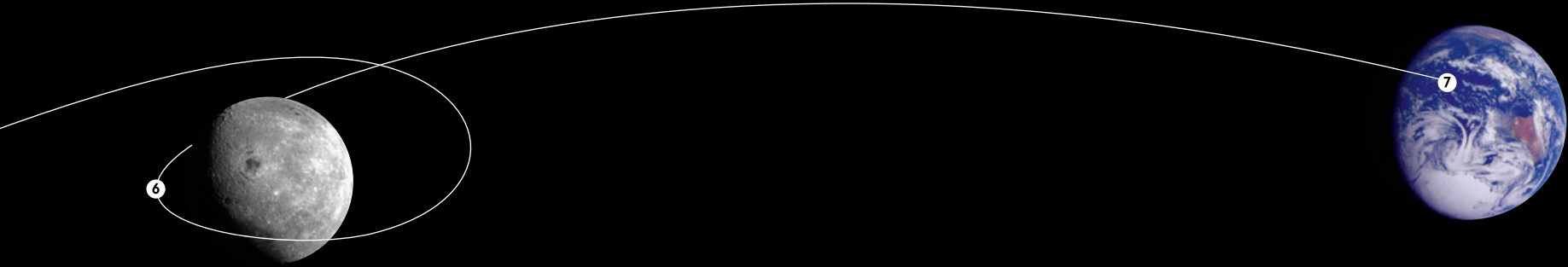
To overcome the pull of Earth's gravity, the NASA SLS produced nearly 4 million kg (8,818,490 lbs.) of thrust.

2 CORE STAGE AND BOOSTERS

Core stage and boosters broke off after their fuel had been used.

3 LOW-EARTH ORBIT (LEO)

The upper part of the rocket, the interim cryogenic propulsion stage and Orion, accelerating at more than 28,000 km/h (17,398 mph), began a circular orbit around Earth. Orion journeys out of LEO without completing a full orbit of Earth!



4 TRANS-LUNAR INJECTION (TLI)

The interim cryogenic propulsion stage accelerated the vehicle to overcome the pull of Earth's gravity, propel Orion out of low-Earth orbit and get it close enough to be captured by the Moon's gravity.

5 TO THE MOON

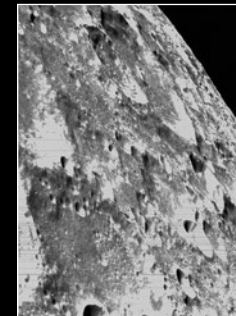
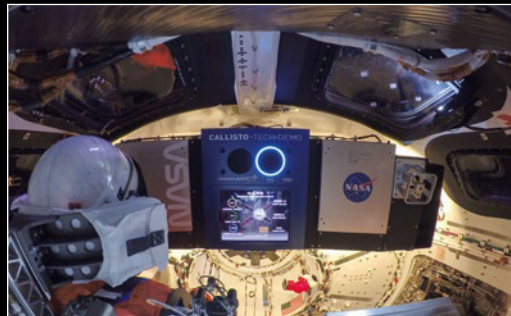
The interim cryogenic propulsion stage separated from Orion. Orion headed to the Moon for its three-week mission, while the CubeSats that deployed from the OSA/ICPS continued on a similar path to study the Moon and deep space.

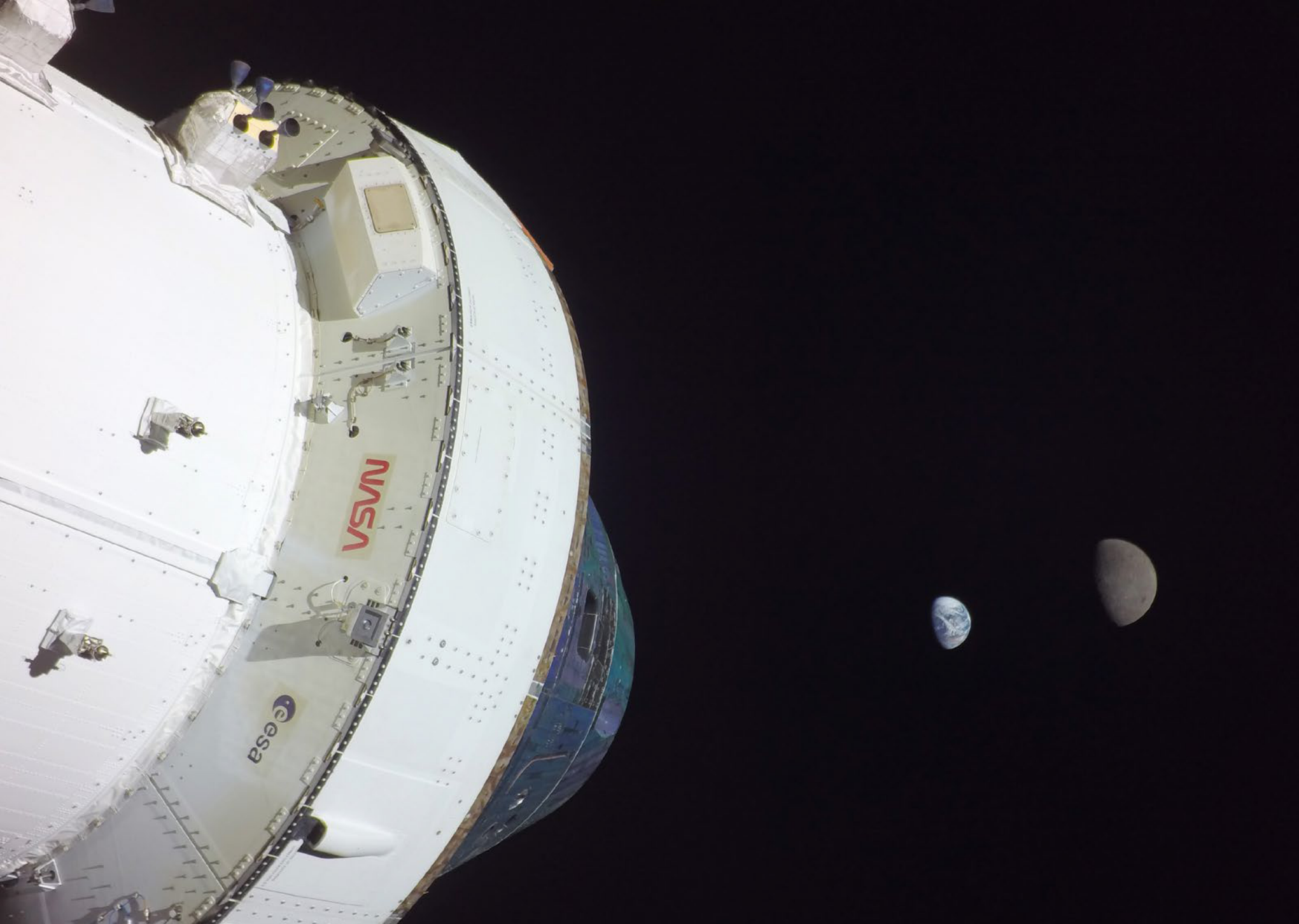
6 SYSTEMS AND ENVIRONMENT TESTING

Orion fired the manoeuvring engines on its service module to bring the spaceship around the far side of the Moon. NASA tested critical systems in the environment of deep space.

7 RETURN TO EARTH

Upon Orion's re-entry to Earth, the heat shield endures temperatures up to 2,760° C (5,000° F, or half as hot as the surface of the Sun!) and is recovered from the Pacific Ocean off the coast of California.





NASA

ESA

ARTEMIS I-V

▶ Honouring the Apollo missions (1961-1972), the name of NASA's Artemis missions also draws inspiration from Greek mythology, which revered Artemis as the goddess of the Moon and twin sister to Apollo. With its first flight test completed successfully, four additional Artemis missions have been confirmed for the coming years. Each mission aims to test and optimise SLS and Orion performance, lunar re-entry velocities, deep space operations and deployment of payloads. Ultimately, the goal is to expand the potential for crewed missions to Mars – and beyond.

I

FIRST MISSION
(UNCREWED FLIGHT TEST)

II

FIRST CREWED FLIGHT TEST

III

CREWED LANDING AND
SURFACE EXPEDITION

IV

FIRST LUNAR SPACE STATION
ASSEMBLY MISSION

V

CREWED MOBILE SURFACE
EXPLORATION AND
GATEWAY EXPANSION

FROM THE LEGO® DESIGNER



“Every LEGO® set based on reality has a history. With the NASA SLS, we can’t even begin to imagine its role in future space exploration! A little bit of LEGO rocket science was required when designing this model, as we wanted to have different functional stages of the rocket. The launch tower required a special way of building, using sticks and LEGO Technic connectors to make and stack the latticework sections. Just like in real life, a vehicle safety system secures the rocket to the launch tower, and retractable service umbilicals can be disengaged prior to launch by turning a small wheel. Details like staircases and doors help demonstrate the scale of the model. The rocket itself can be removed from the pad. Both boosters can be detached and, after removing a panel, the upper rocket stage is released. When opened, it reveals the Orion spacecraft, featuring deployable solar panels. The rocket can also be separated into smaller pieces just like a real launch rocket, and the Orion spacecraft can be displayed outside the model.”

- Hans Burkhard Schlömer, LEGO® Model Designer

EACH MAJOR ELEMENT OF THE NASA SLS SERVES A UNIQUE PURPOSE

ORION SPACECRAFT

The Orion spacecraft is made of three primary elements – the launch abort system, the crew module and the service module.

CORE STAGE

The SLS core stage is the tallest rocket stage NASA has ever built. At approximately 64.6 m (211.9 ft.) tall and 8.4 m (27.5 ft.) in diameter, its fully fuelled weight, excluding engines, is 1,088 metric tons (2.4 million pounds)!

ENGINE SECTION

The engine section houses the four RS-25 main engines, thrust structure, propellant ducts, avionics systems and thrust vector control systems.

NOZZLE

The aft skirt contains the thrust vector control (TVC) system that steers the booster exhaust nozzle based on commands from the booster avionics.

LAUNCH ABORT SYSTEM (LAS)

In the case of an emergency during launch, three solid rocket motors work together to propel the Orion and its crew away from the rocket for a safe landing in the ocean.

CREW MODULE

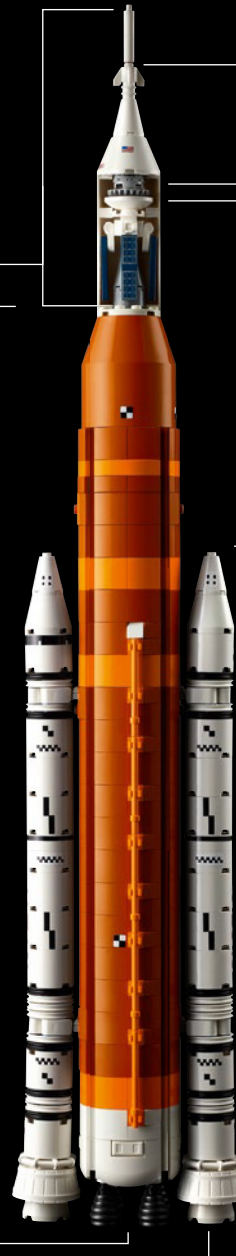
The Orion crew module will serve as the habitat for the crew while travelling to the Moon, and provide astronauts with food, water, oxygen and protection from hazards like space radiation.

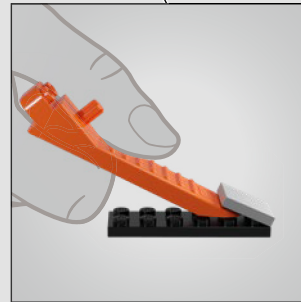
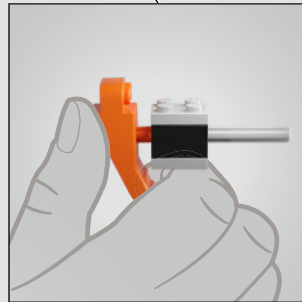
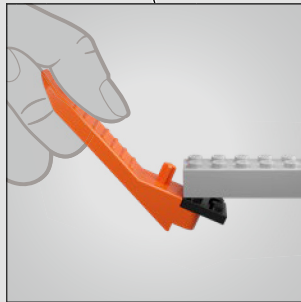
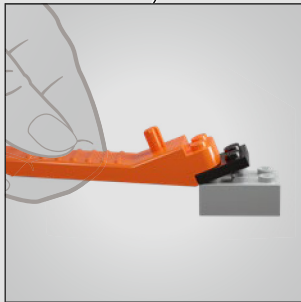
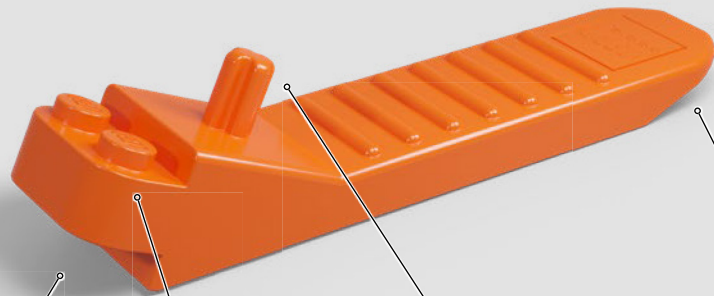
SERVICE MODULE

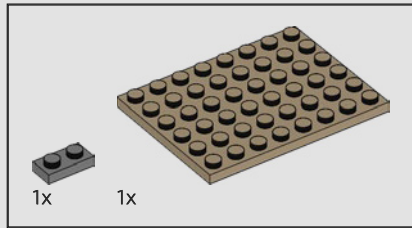
Orion's service module is the powerhouse of the spacecraft, supplying it with electricity, propulsion, thermal control and the air and water astronauts need in space.

SOLID ROCKET BOOSTERS

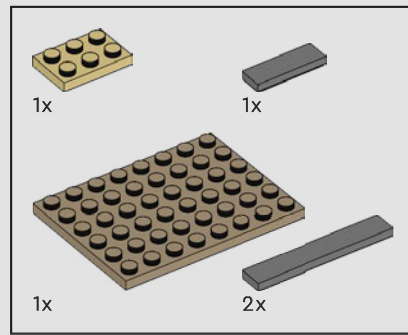
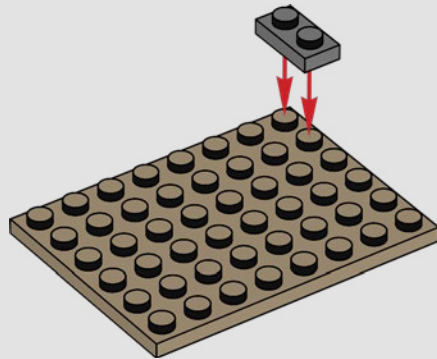
In real life, the SLS solid rocket boosters are the first element to be installed on the mobile launcher. When loaded with propellant, each booster weighs 726 metric tons (1.6 million pounds)!



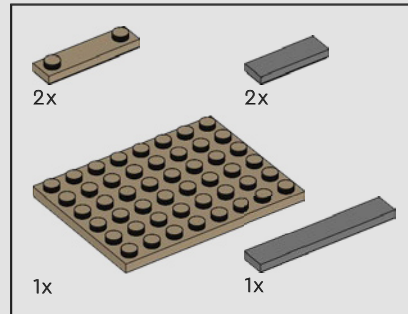
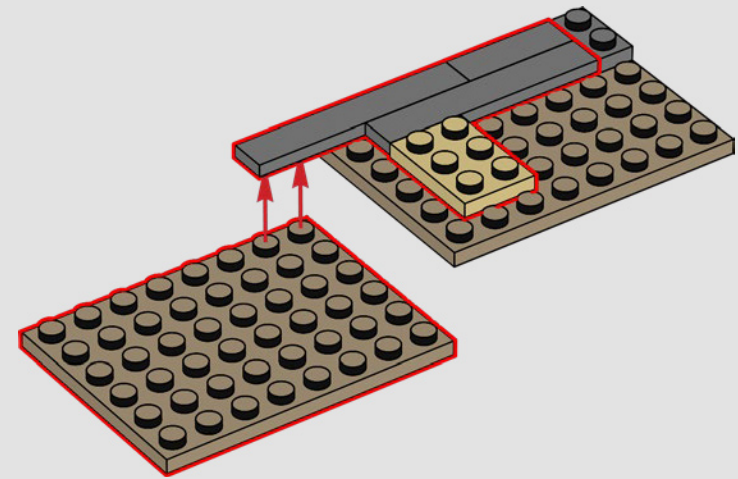




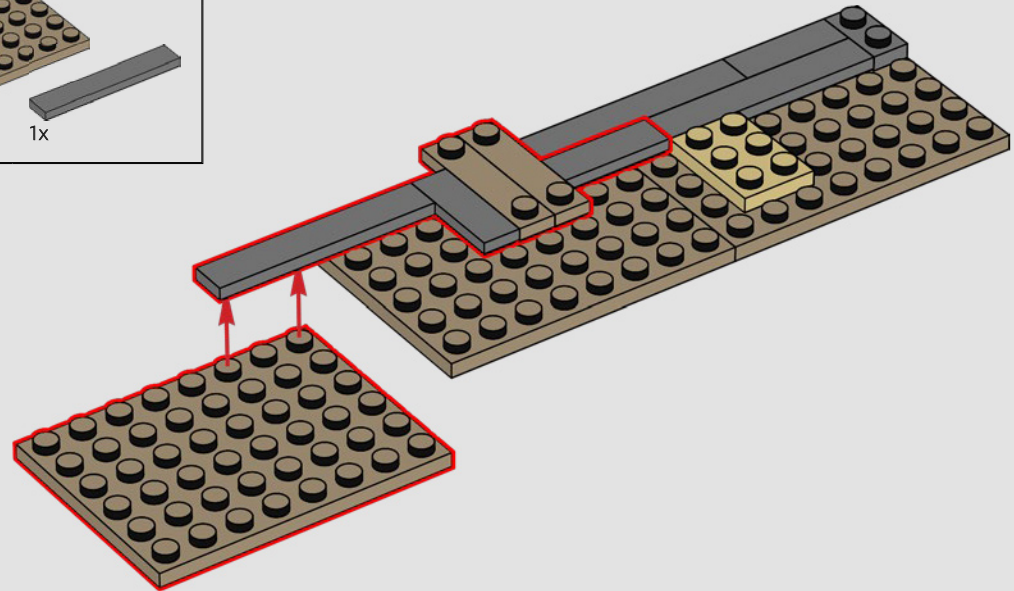
1

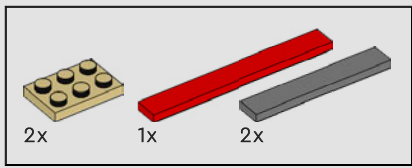


2

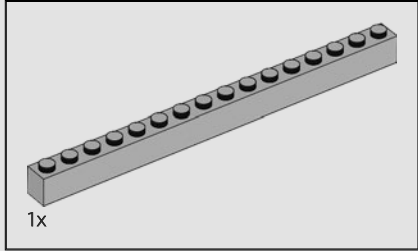
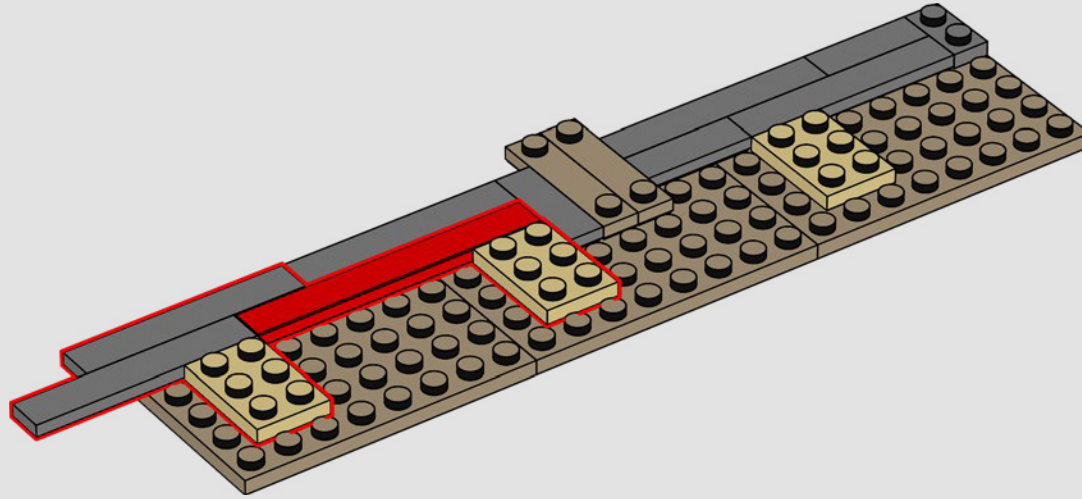


3

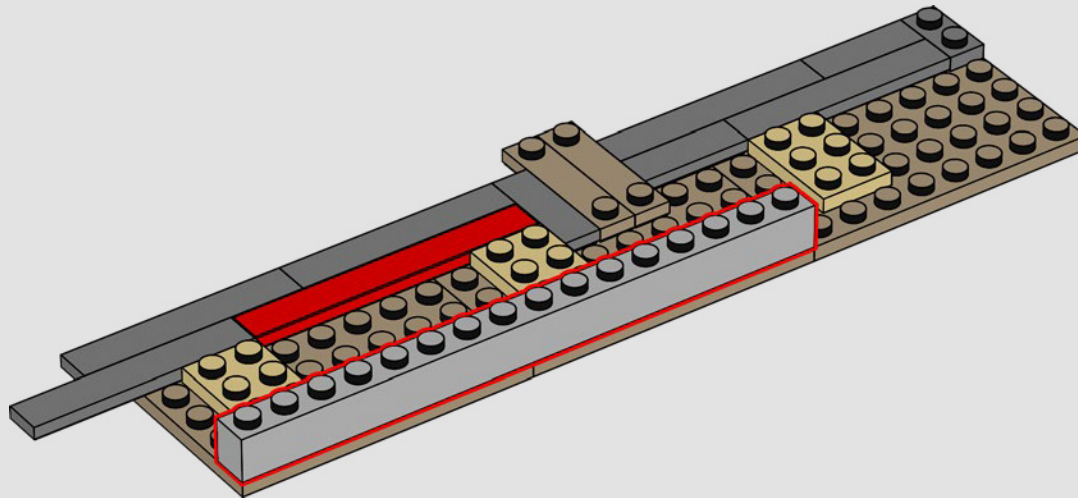


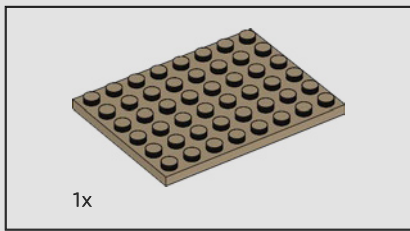


4

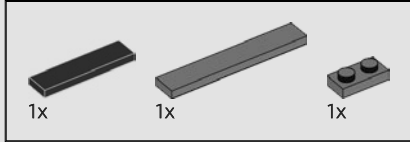
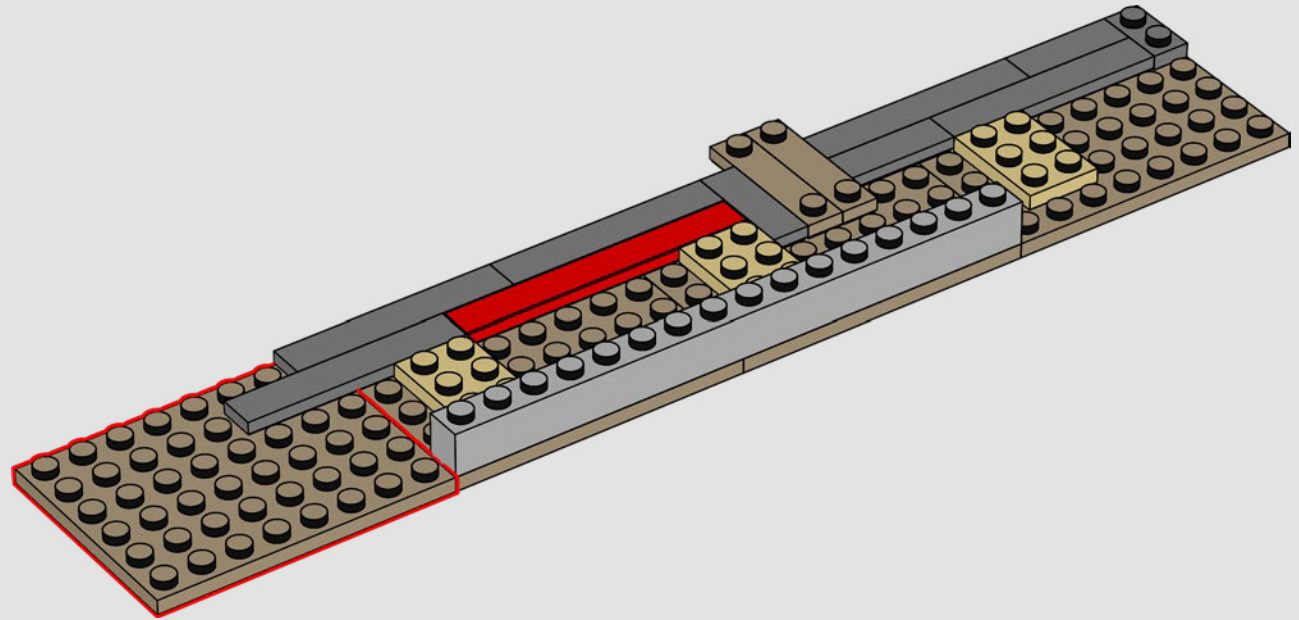


5

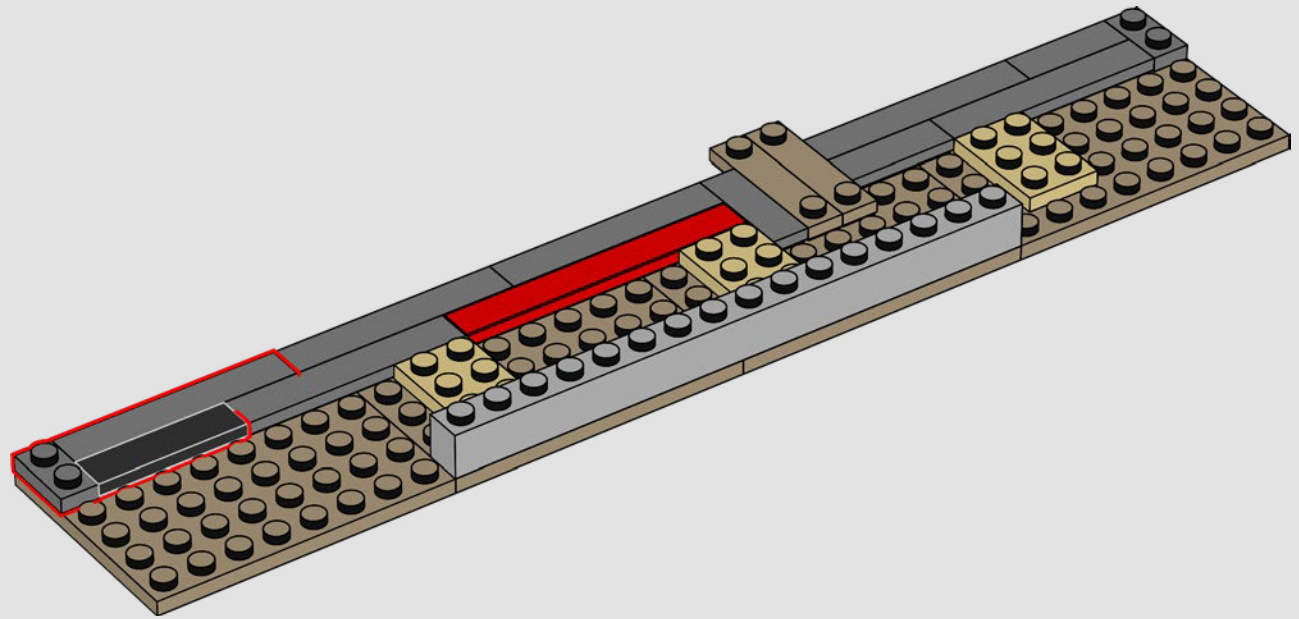


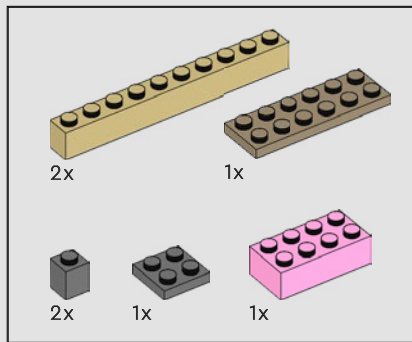


6

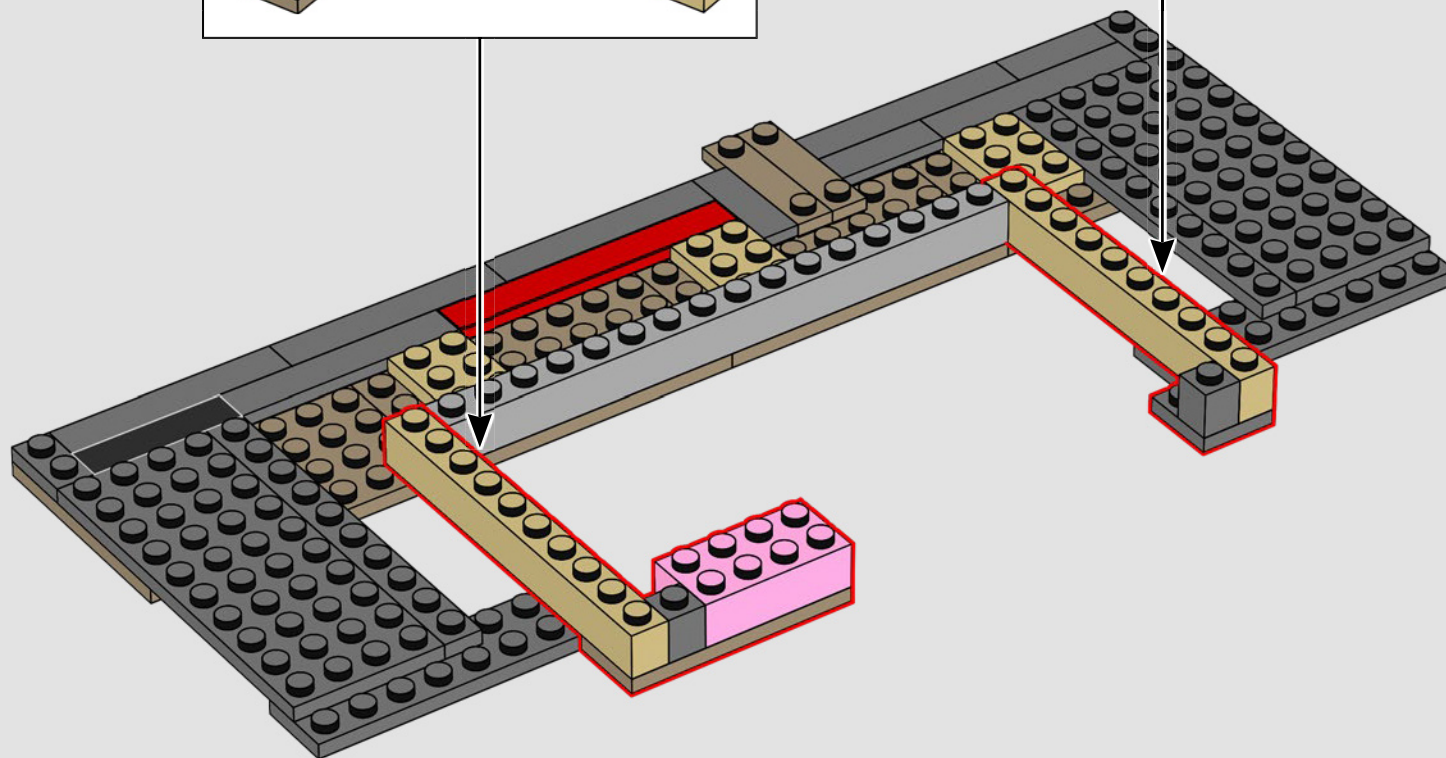
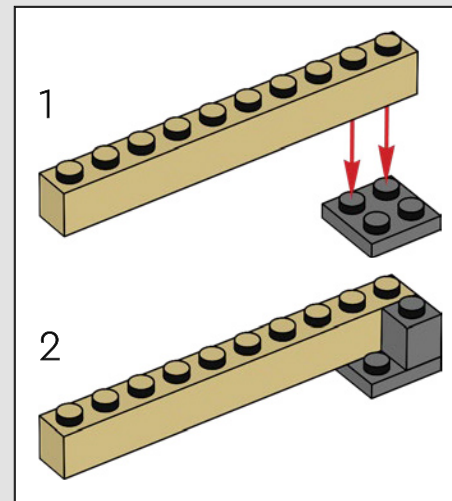
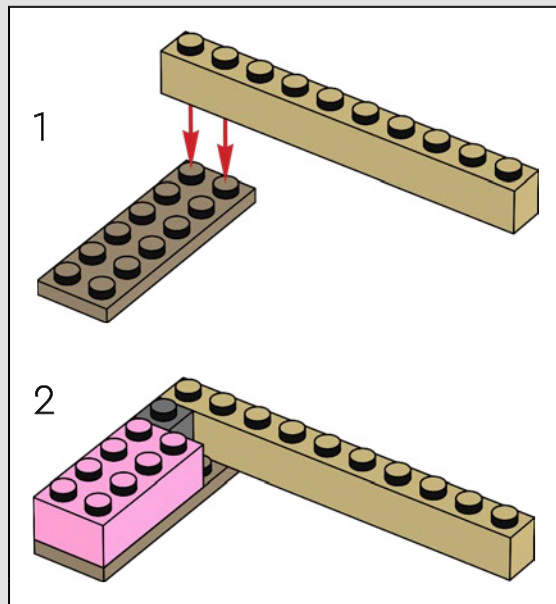


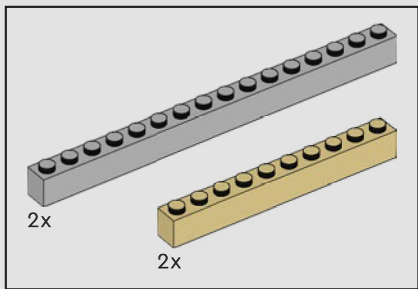
7



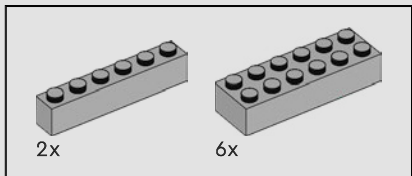
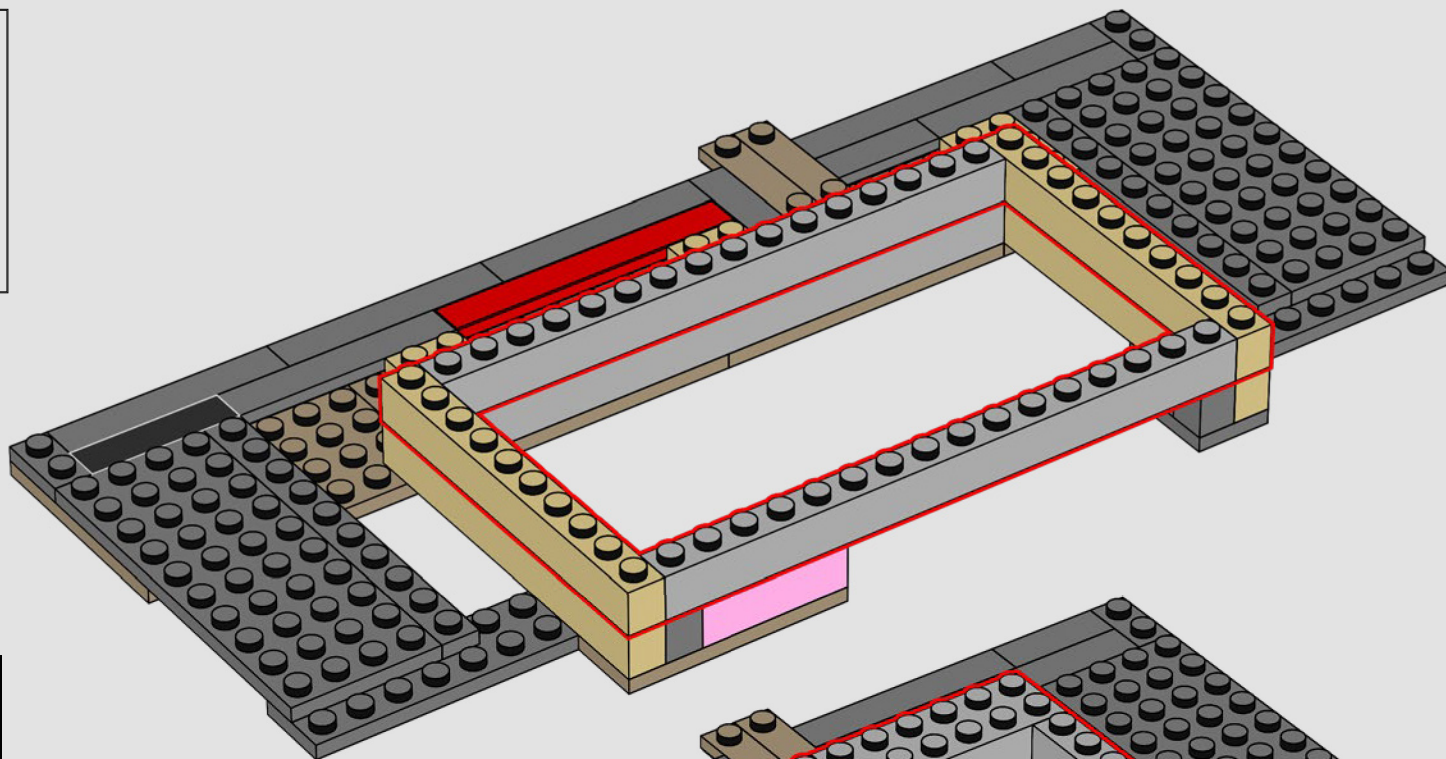


10

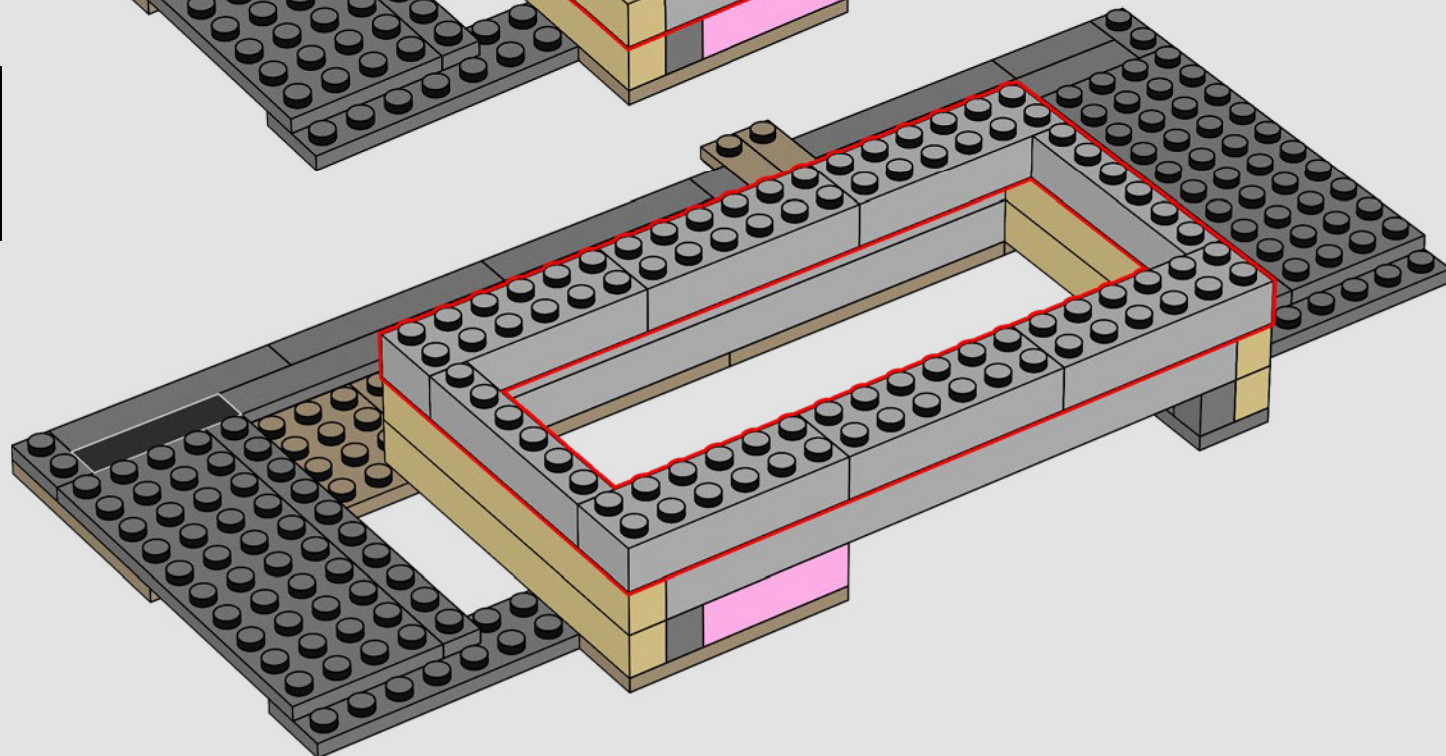


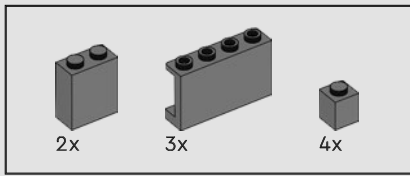


11

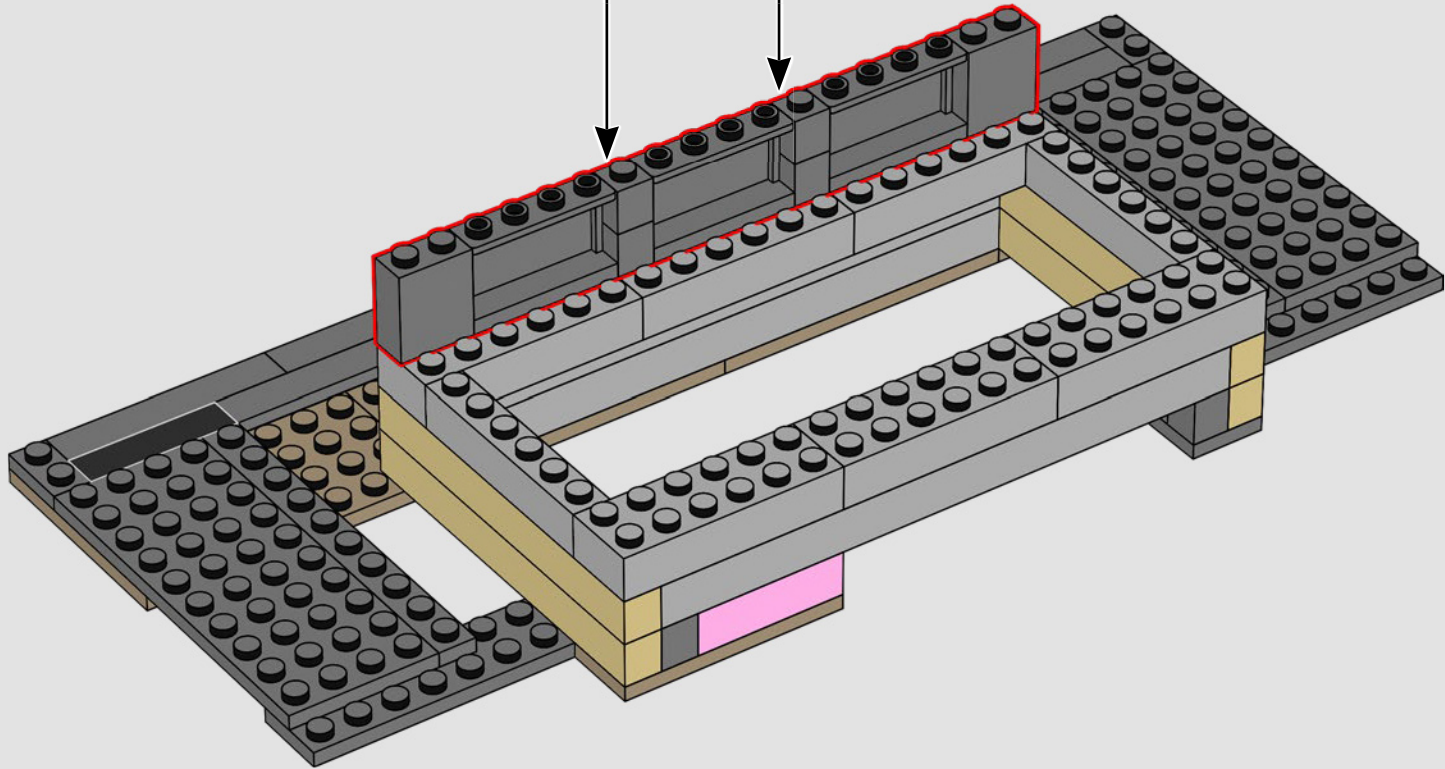
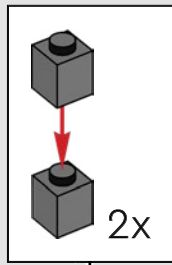


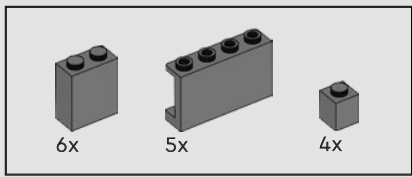
12



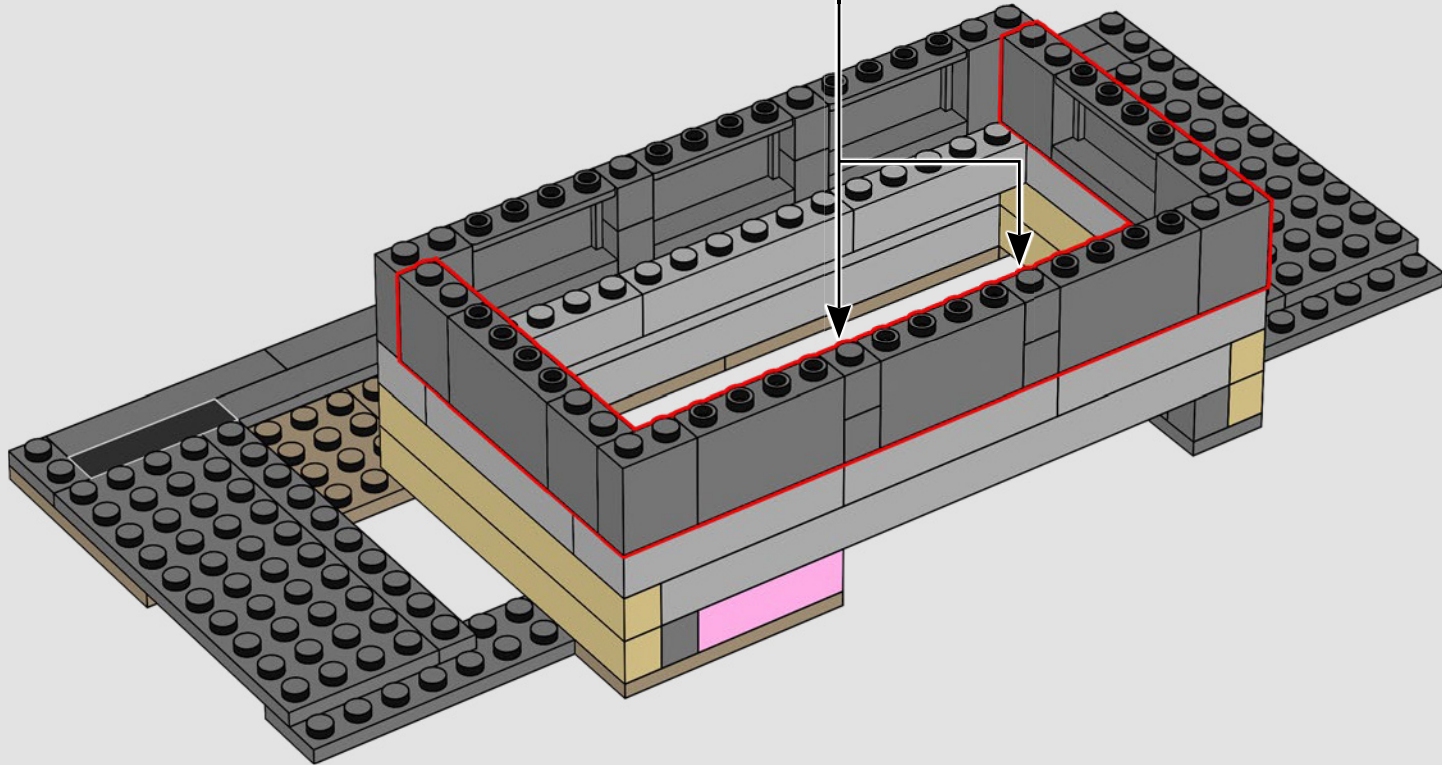
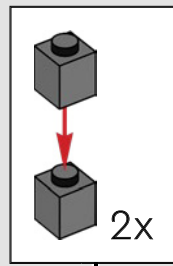


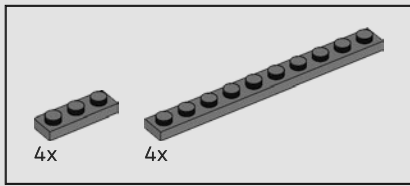
13



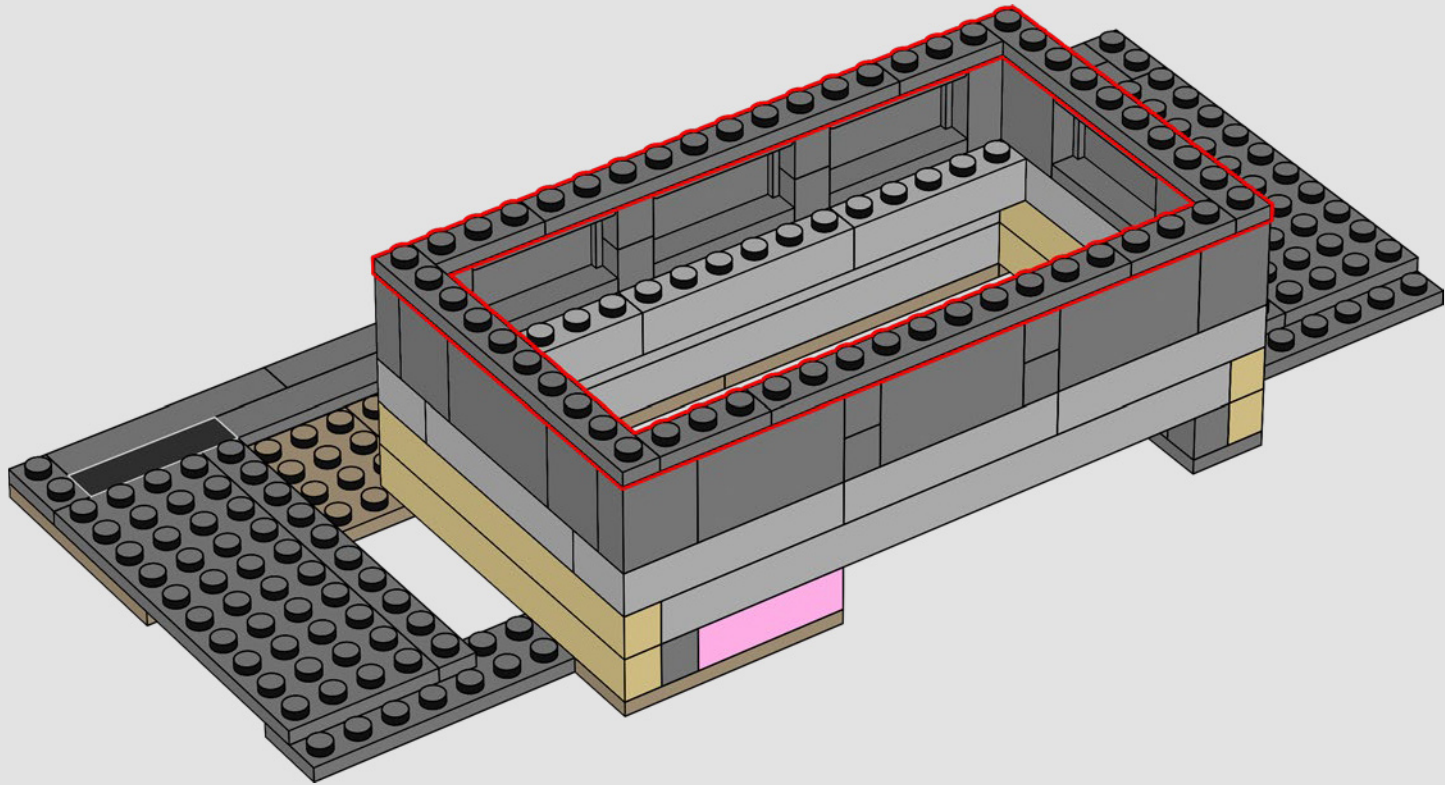


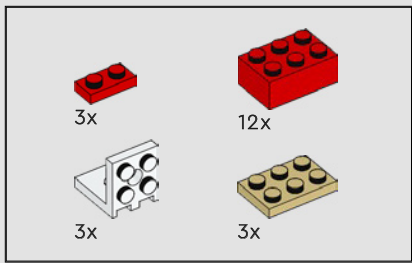
14



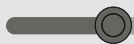
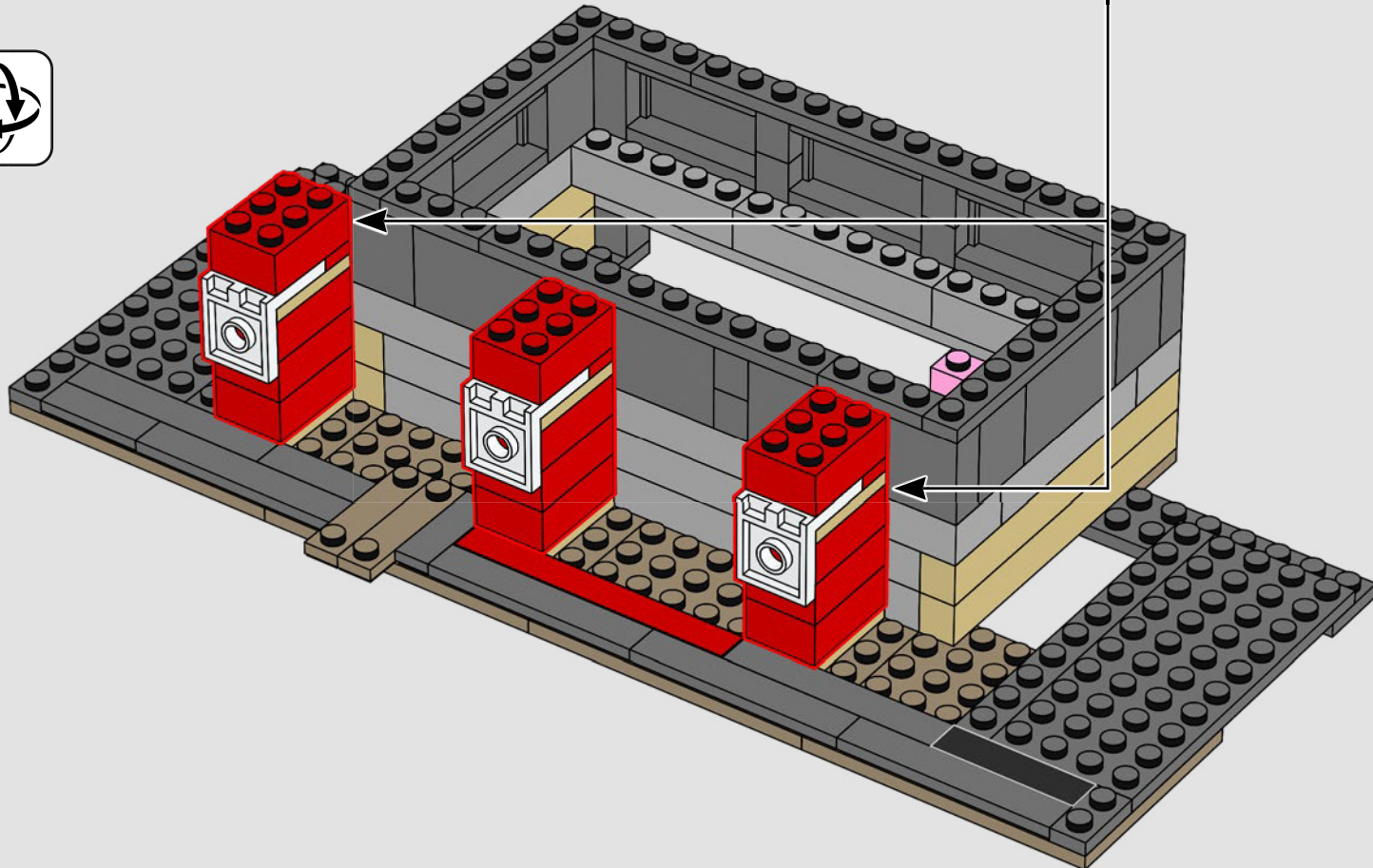
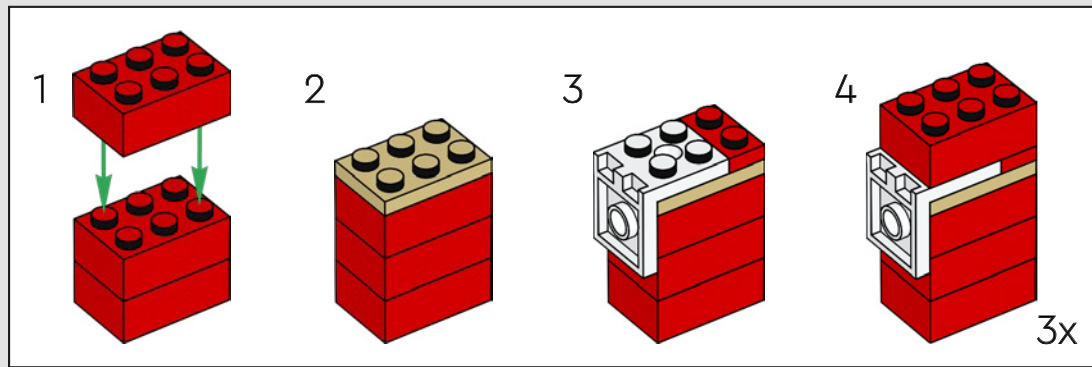


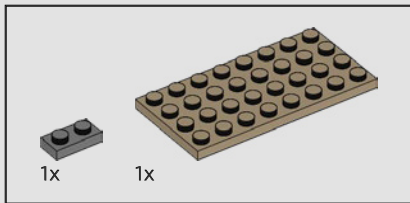
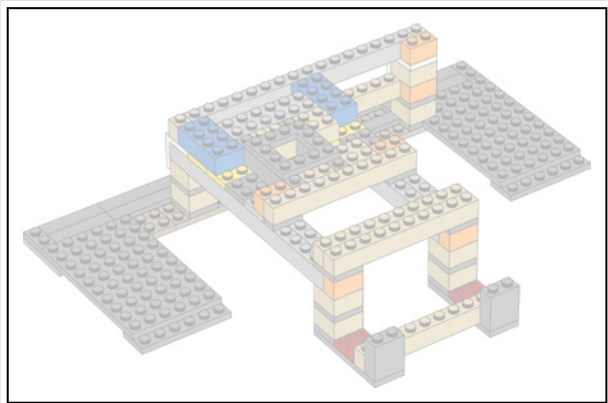
15



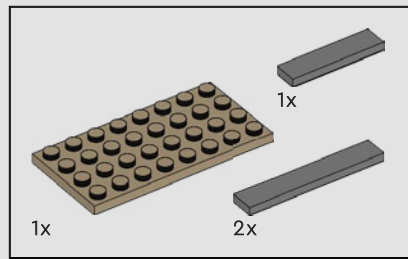
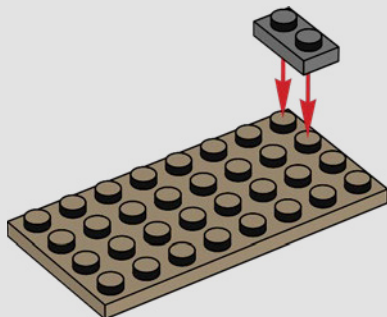


16

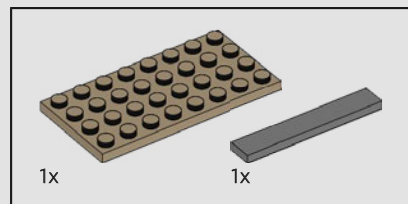
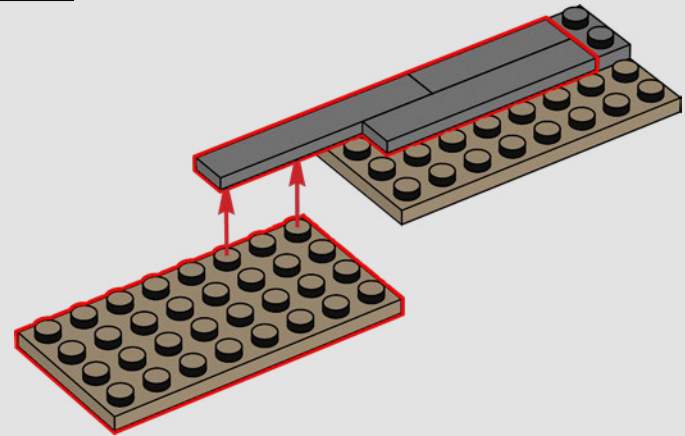




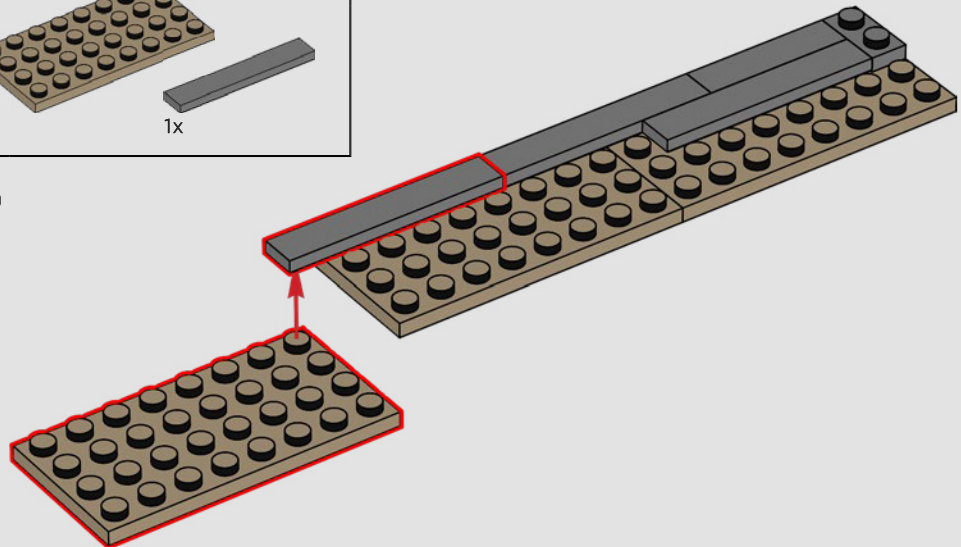
17

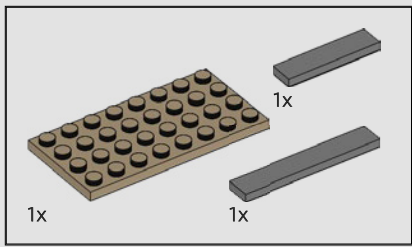


18

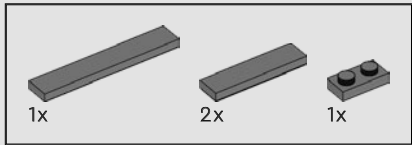
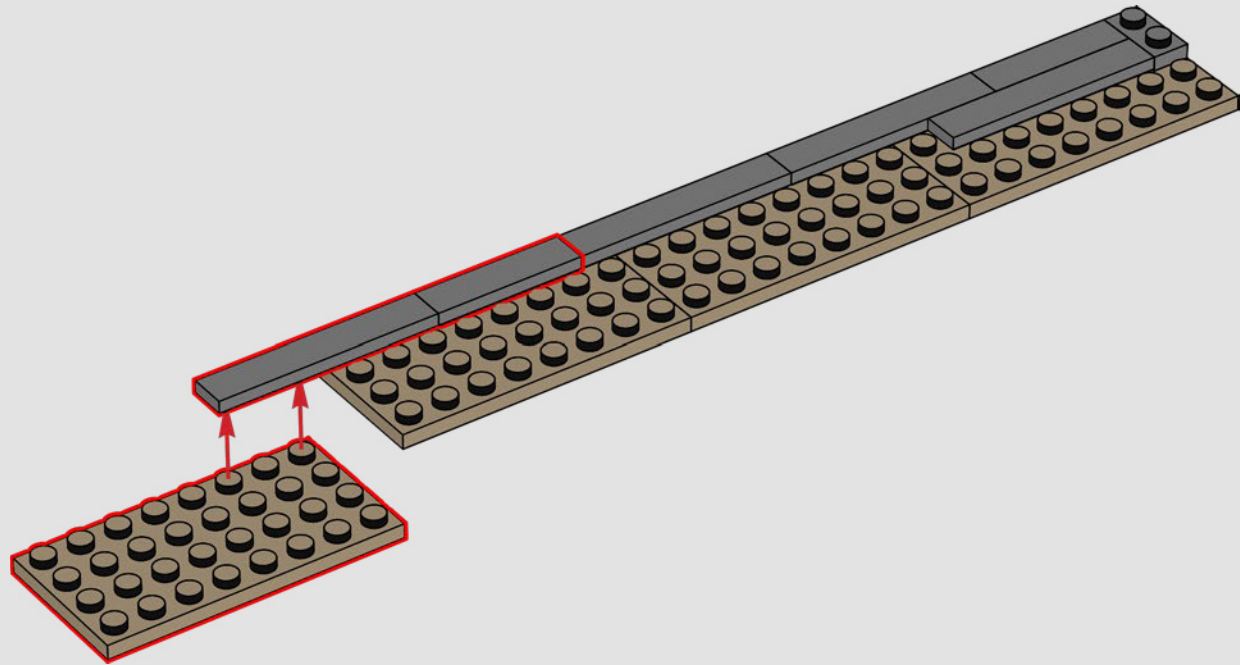


19

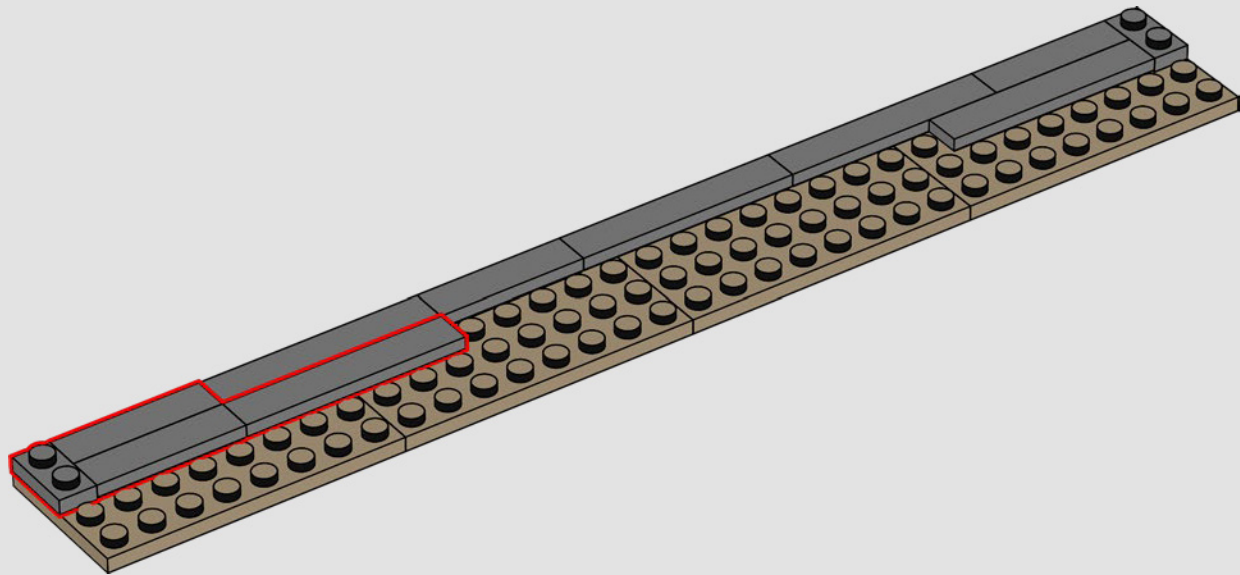


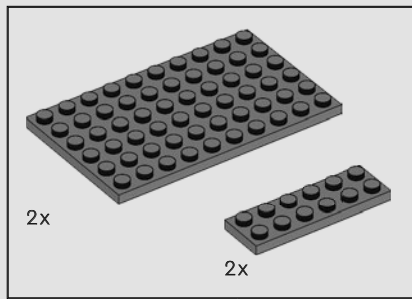


20

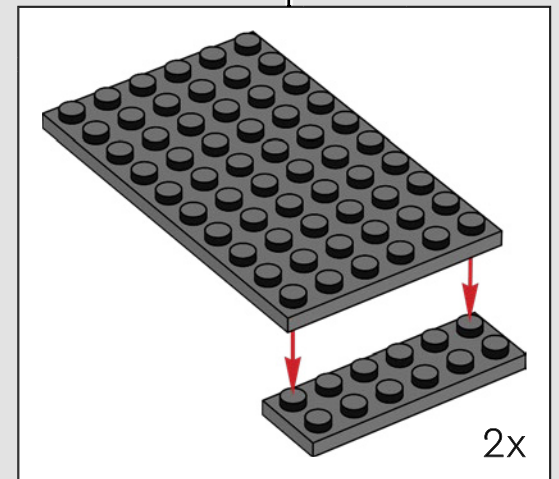
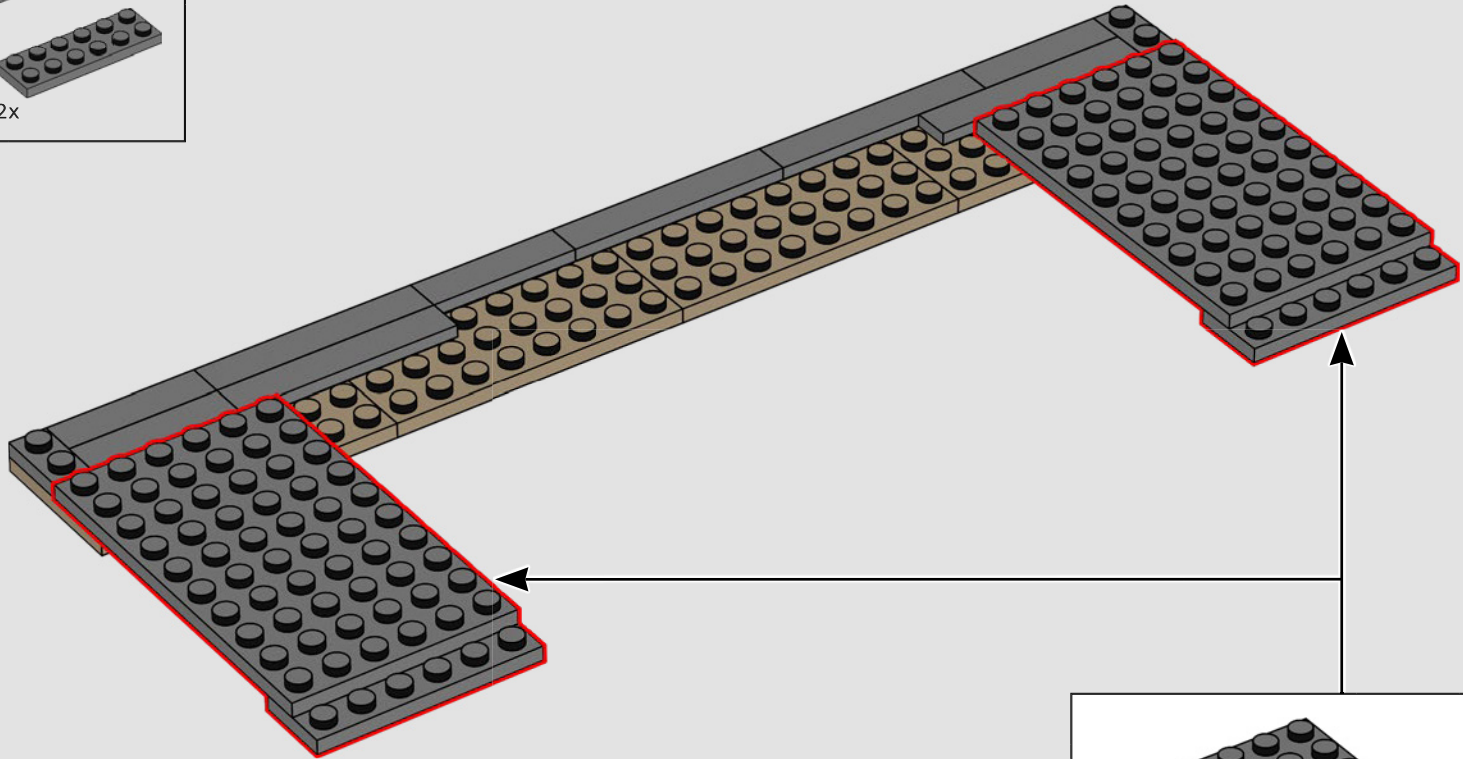


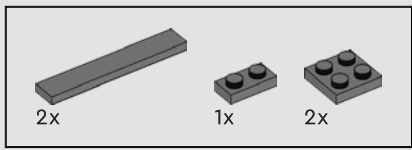
21



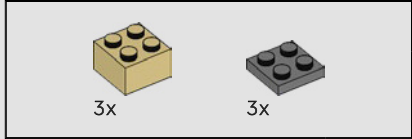
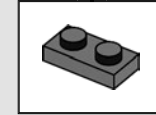
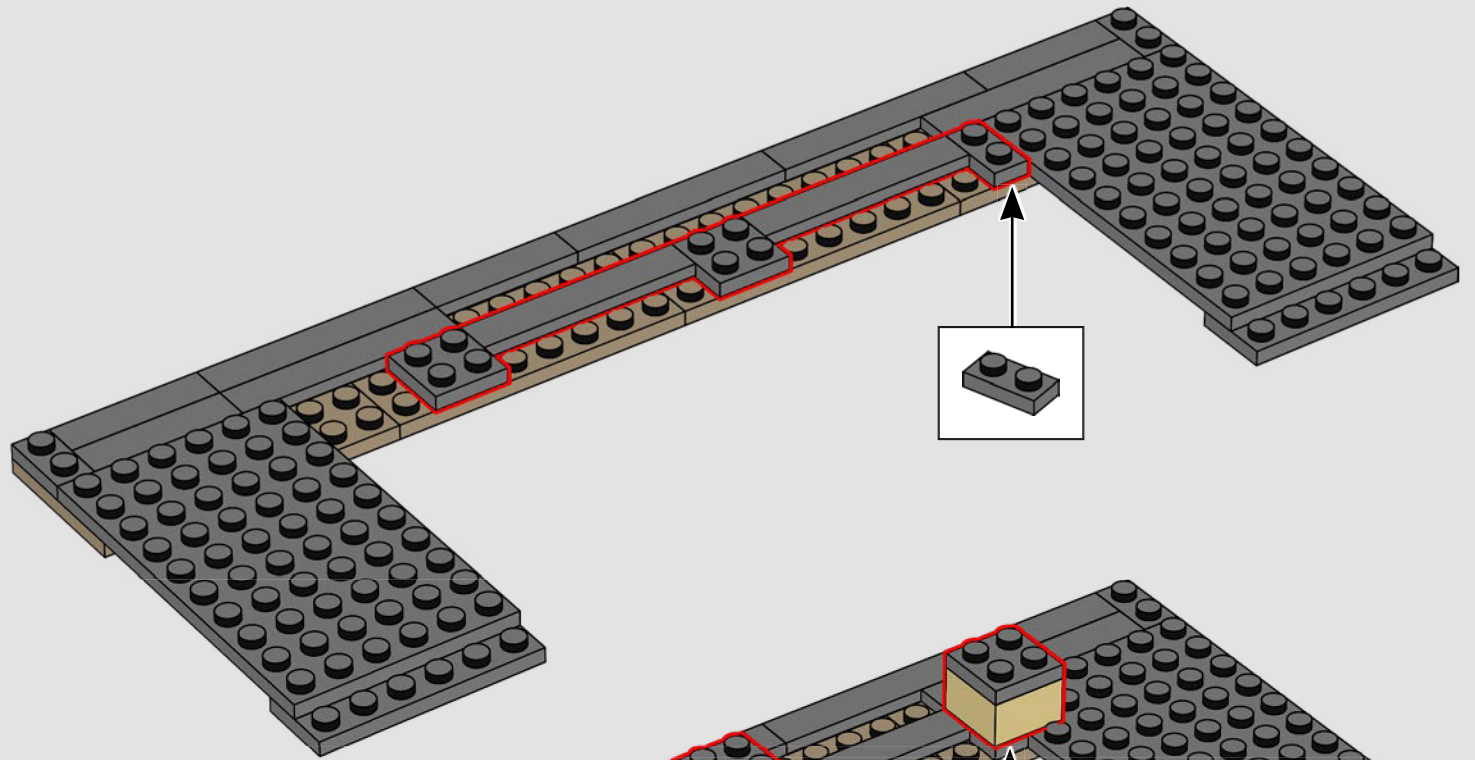


22

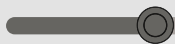
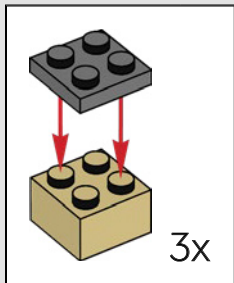
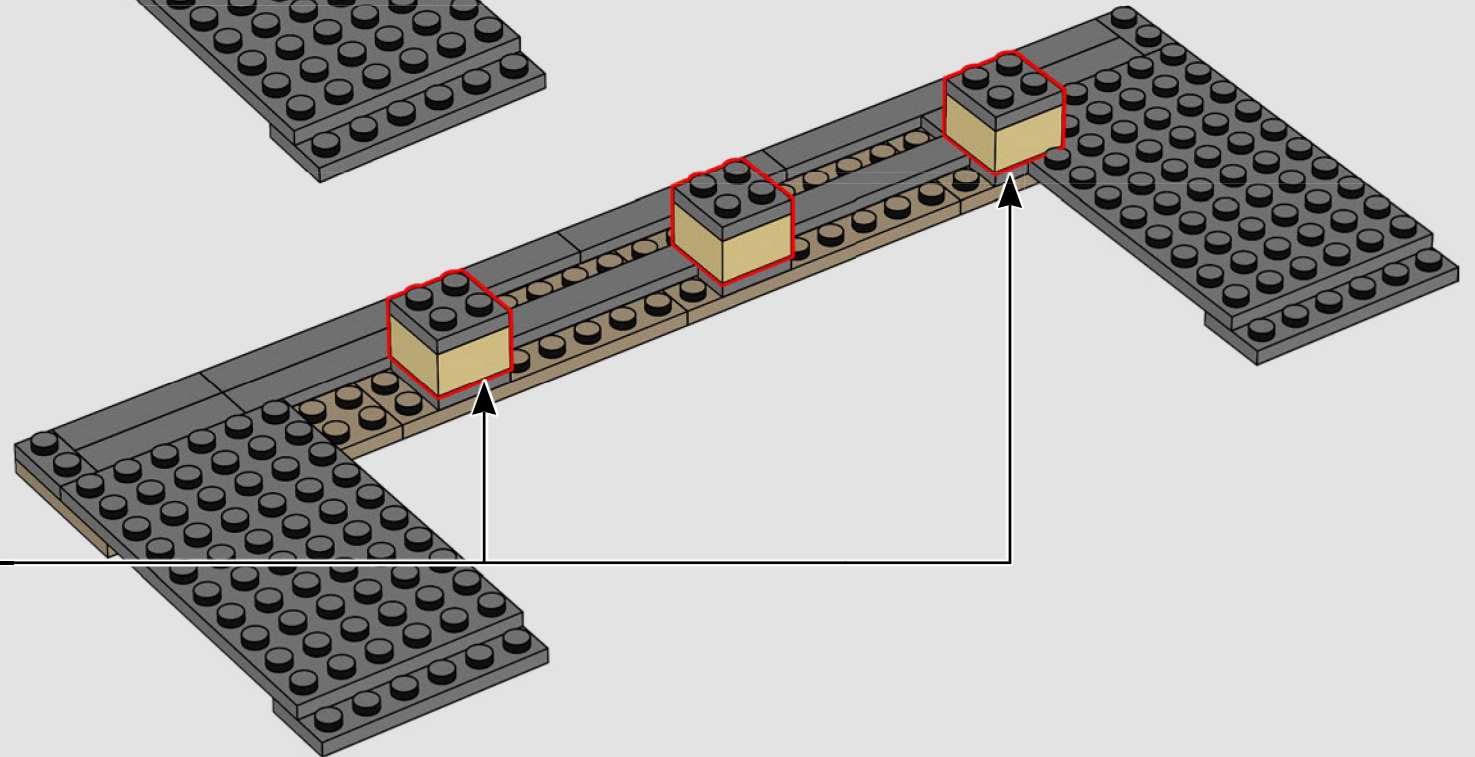


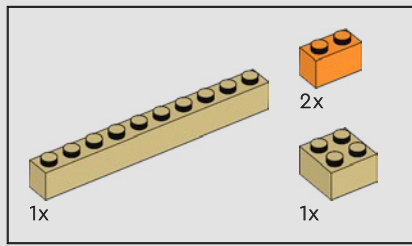


23

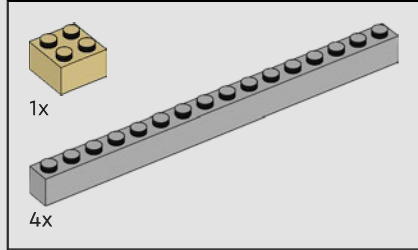
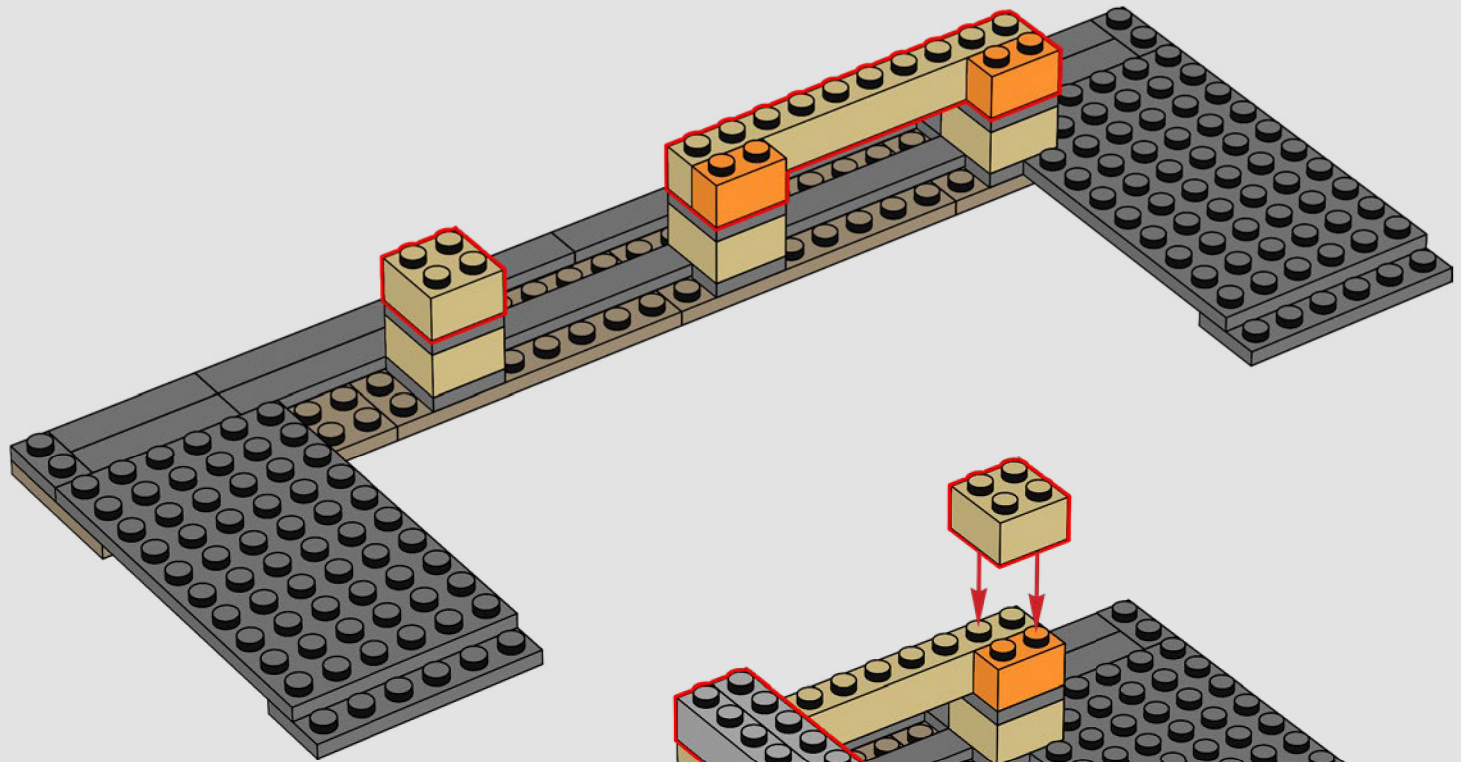


24

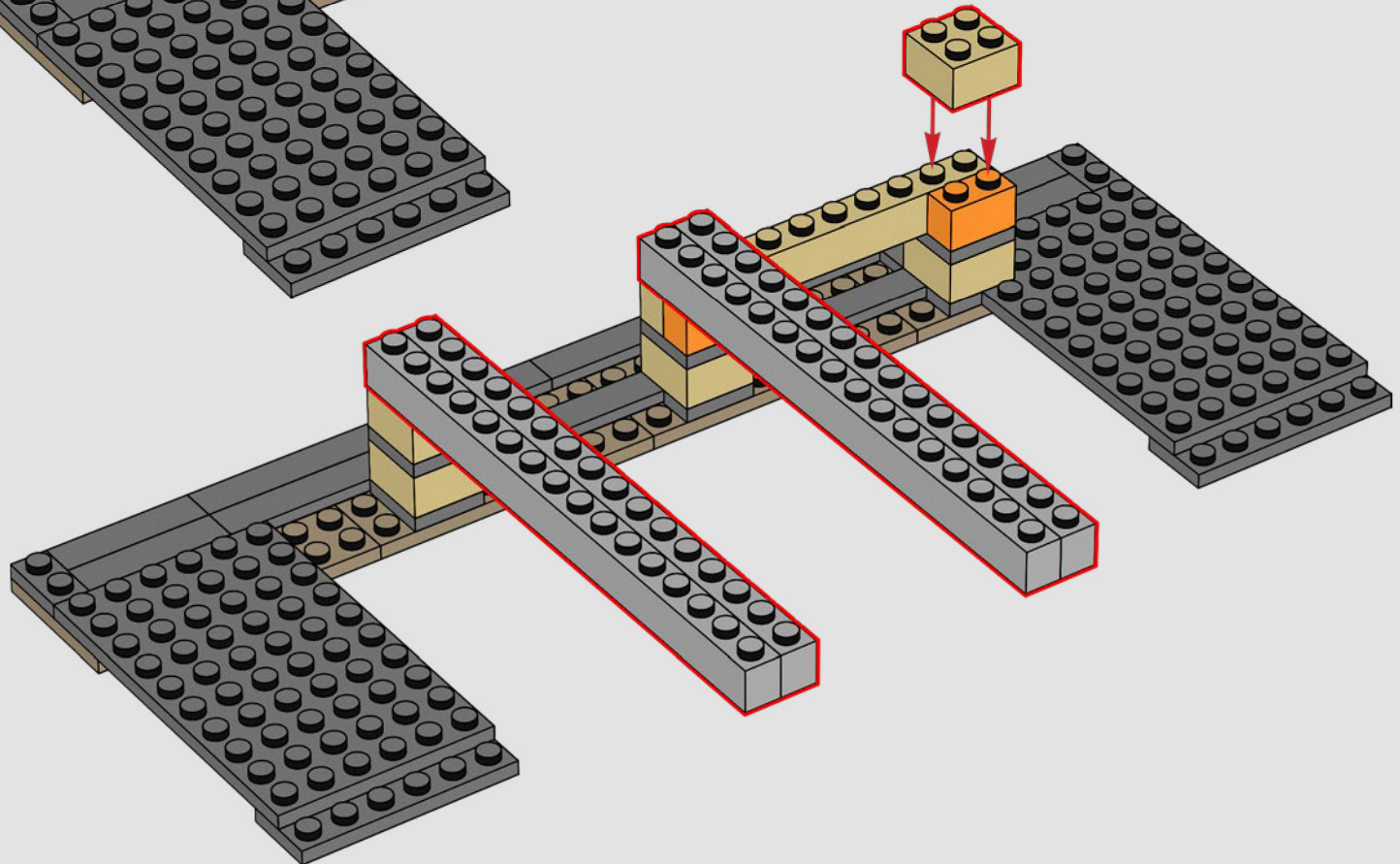


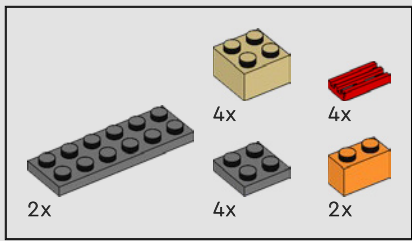


25

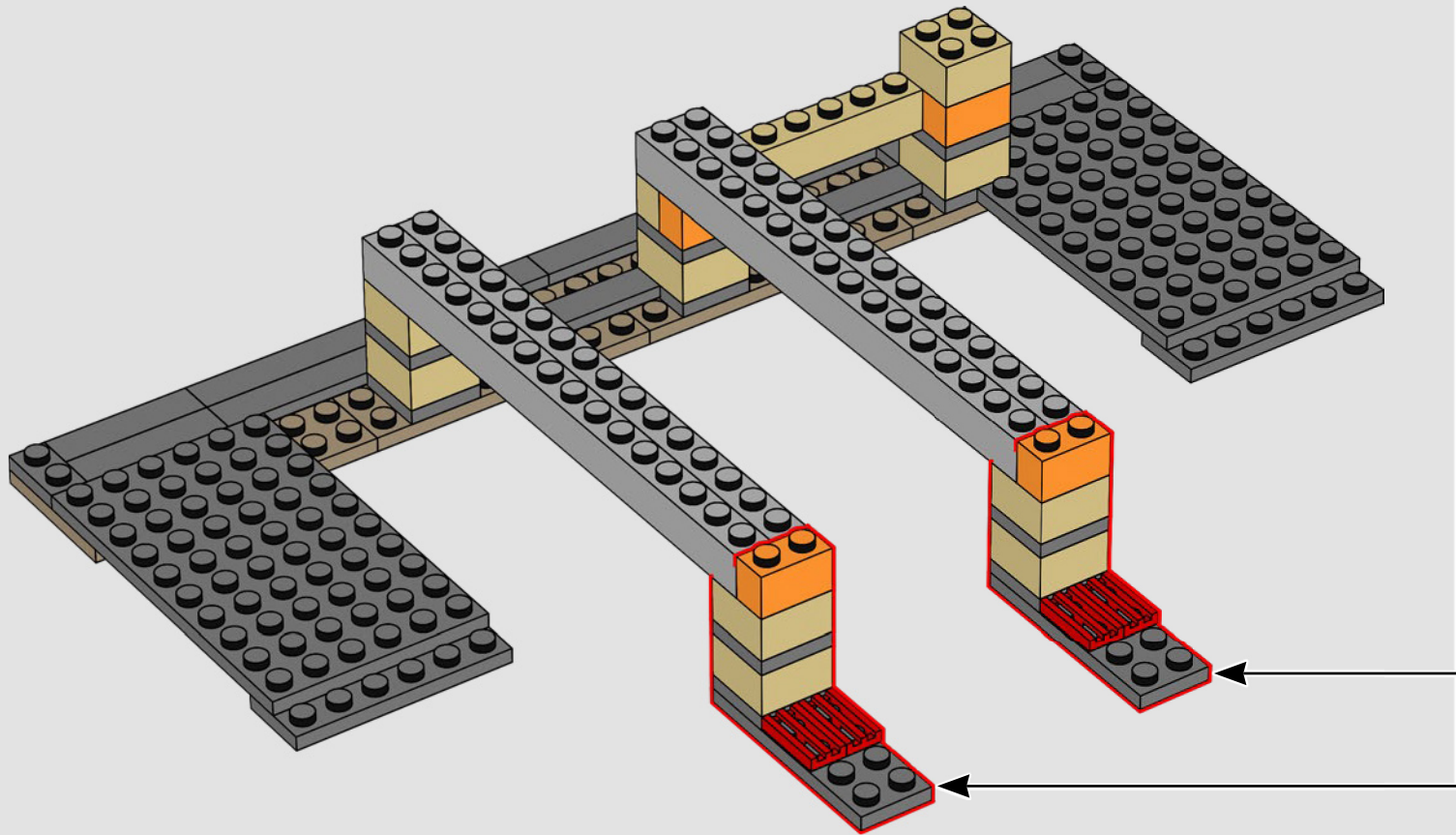
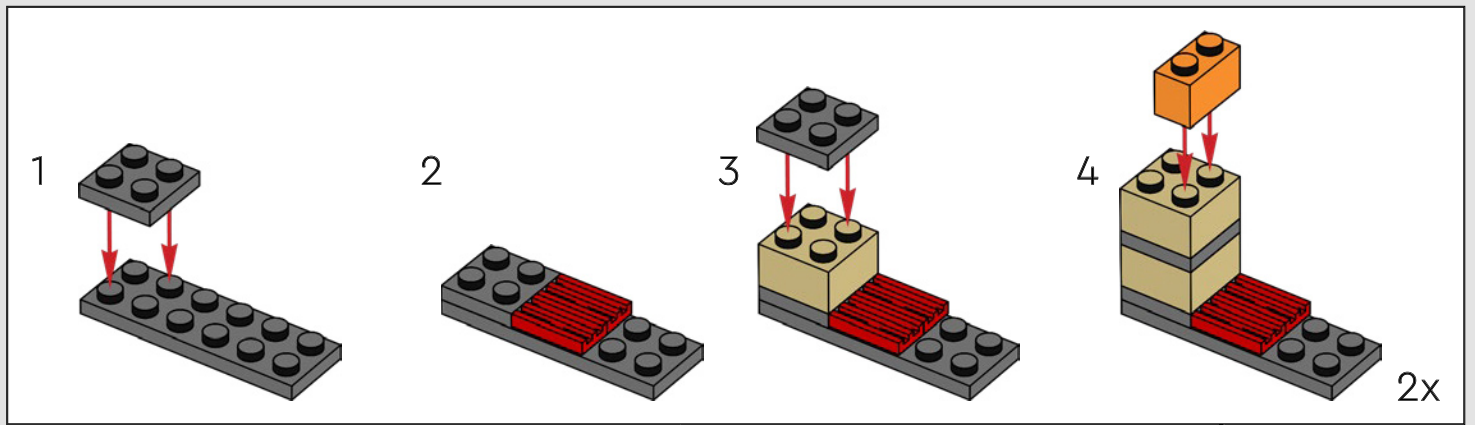


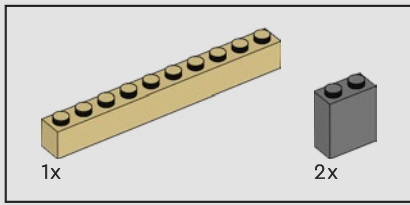
26



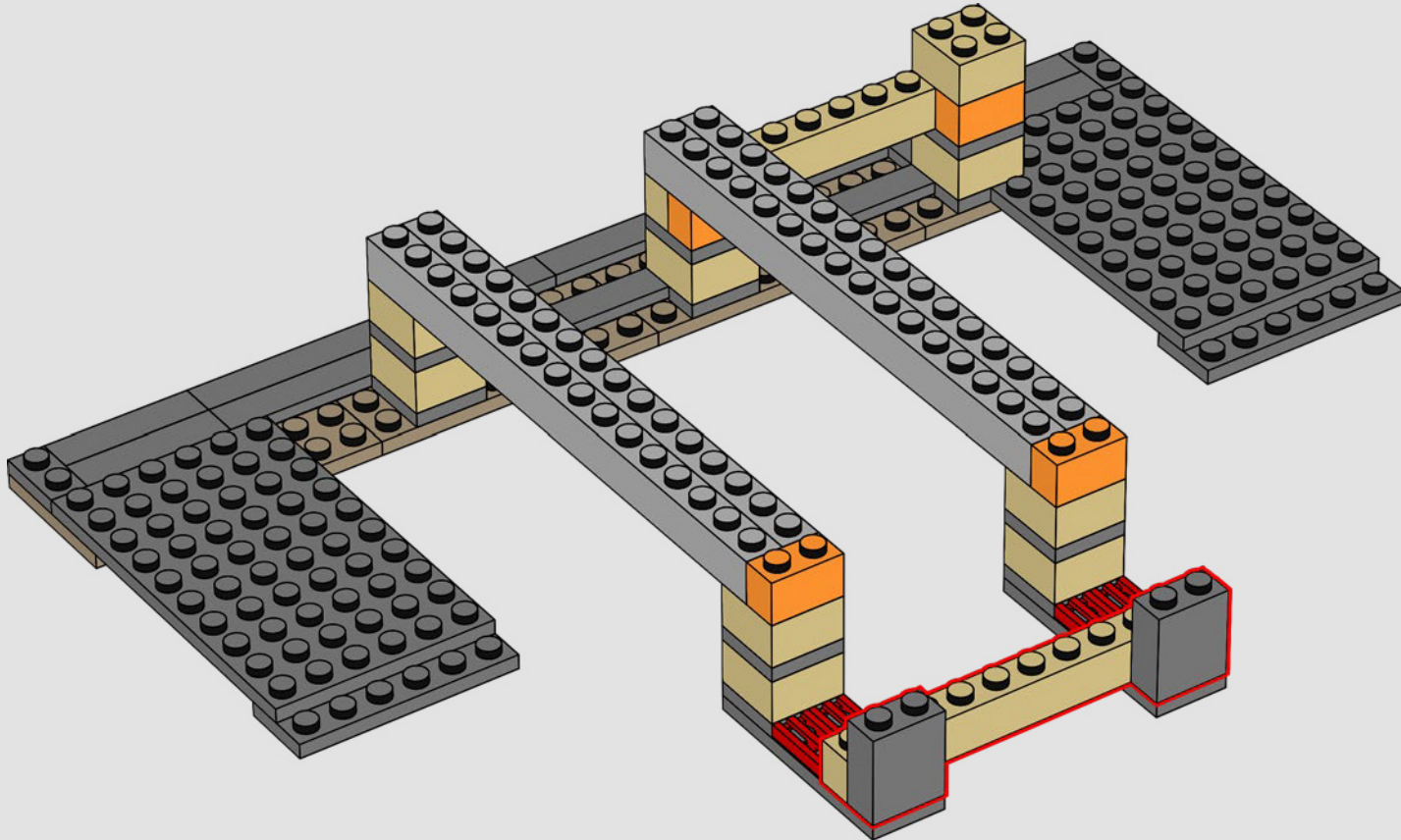


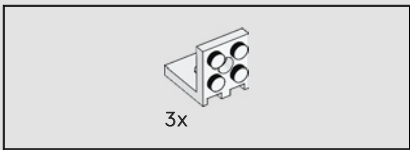
27



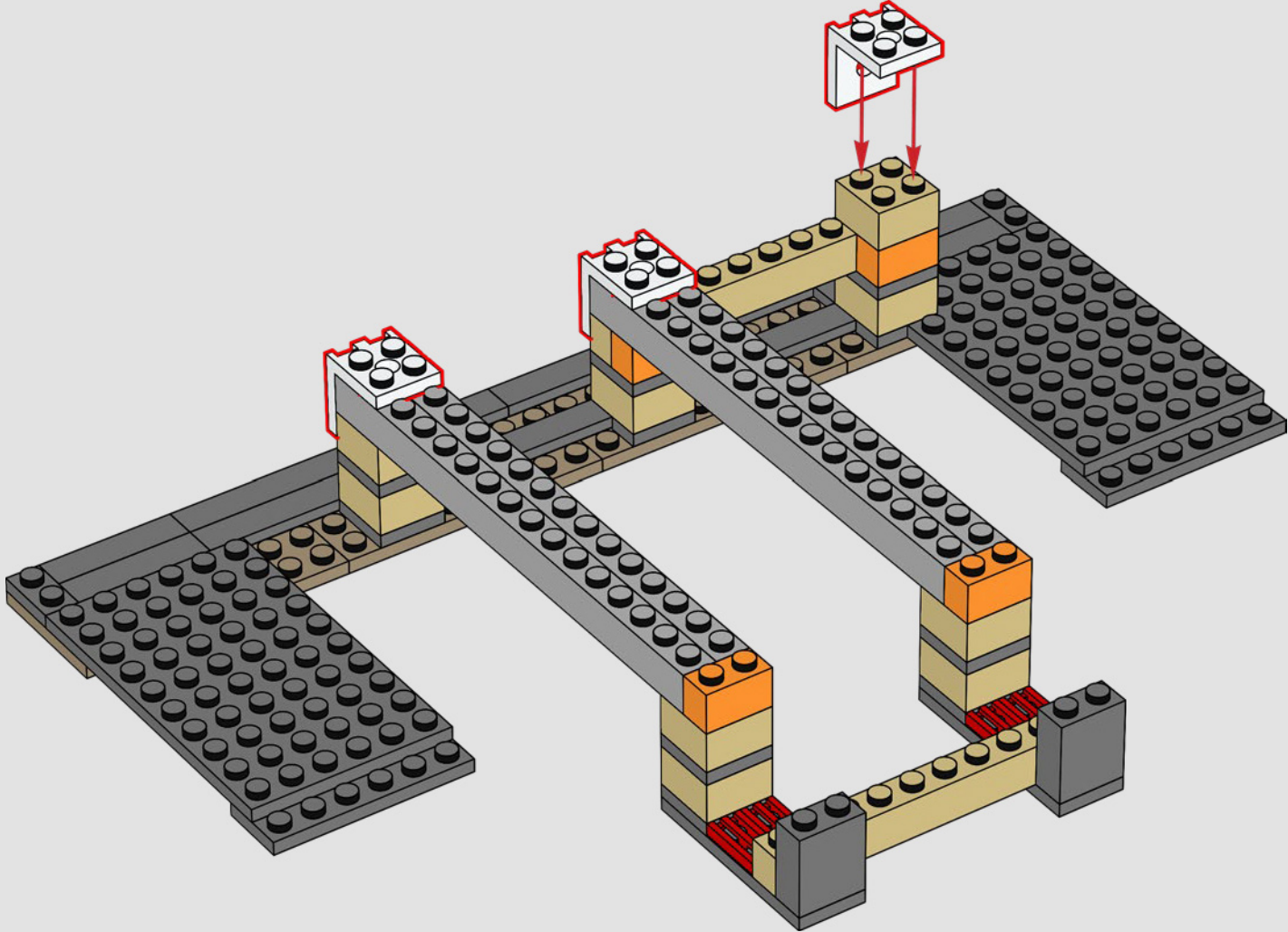


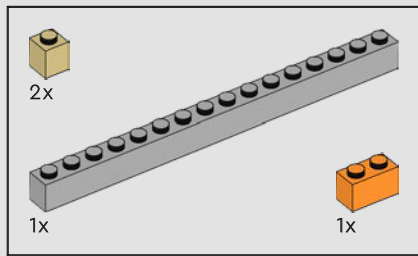
28



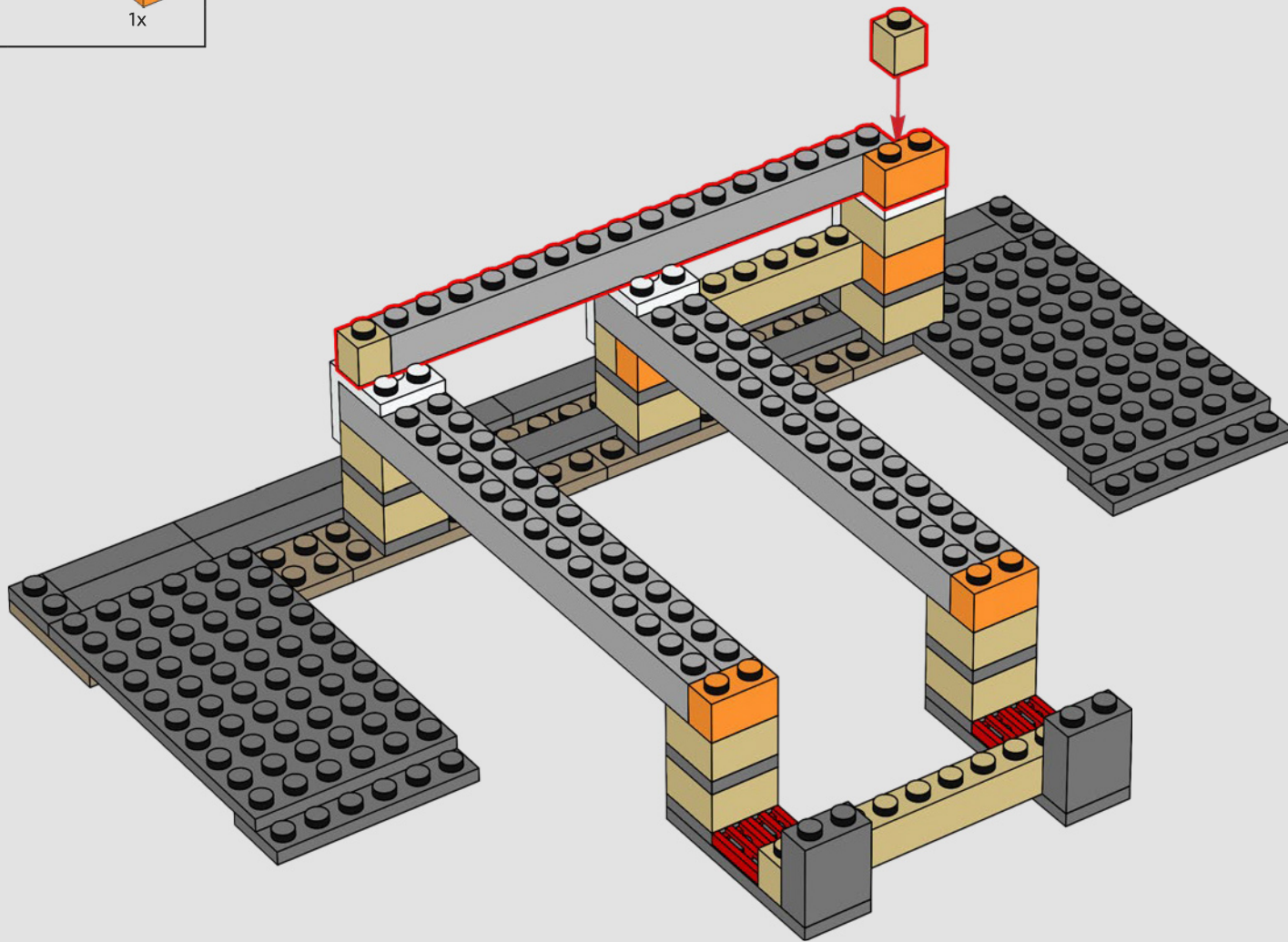


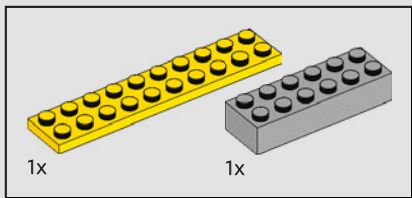
29



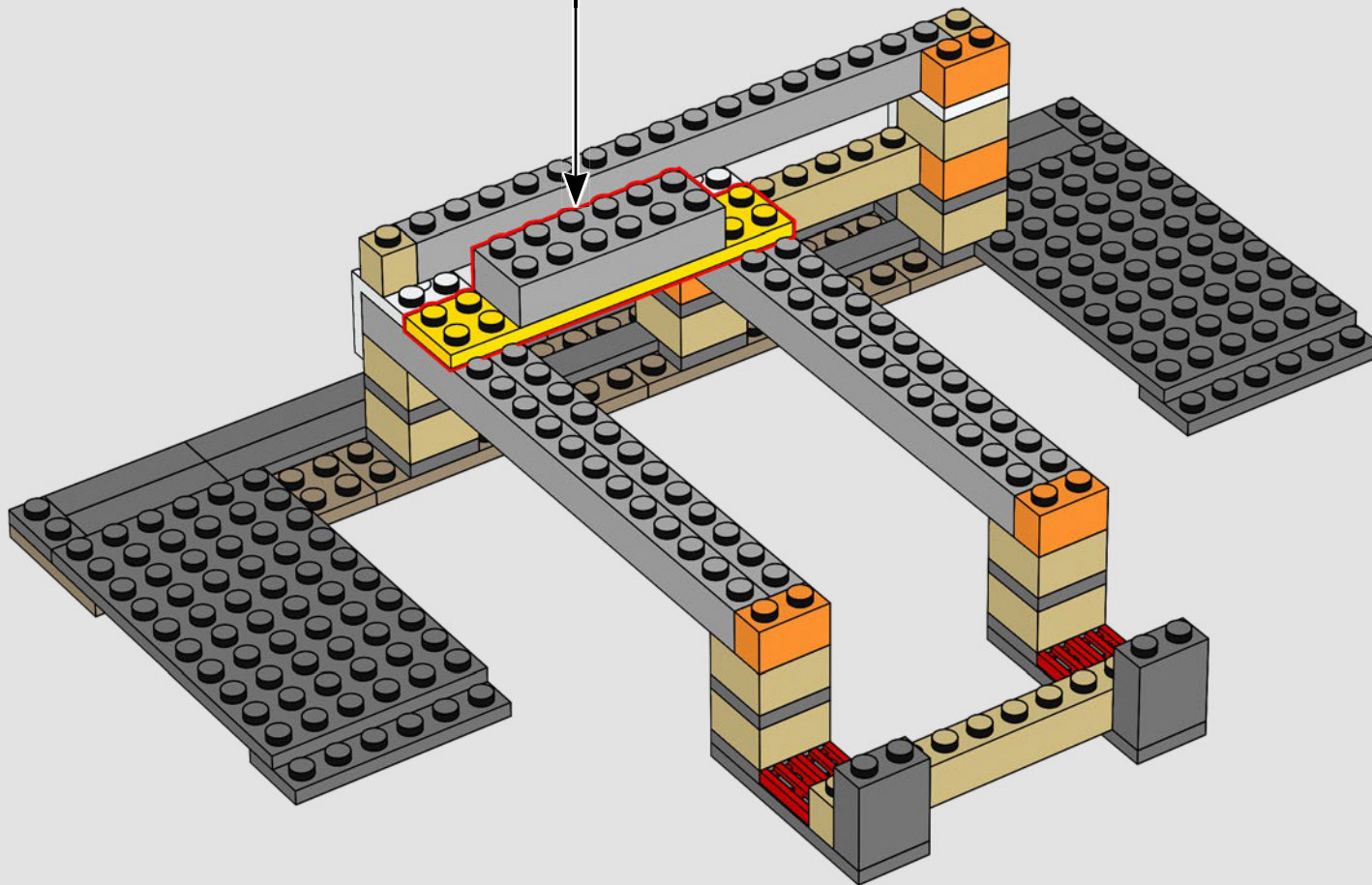
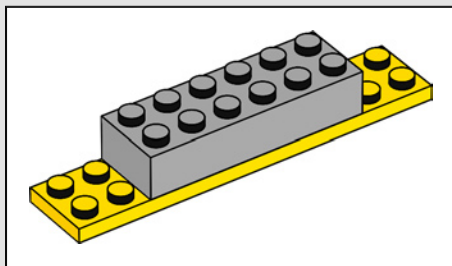


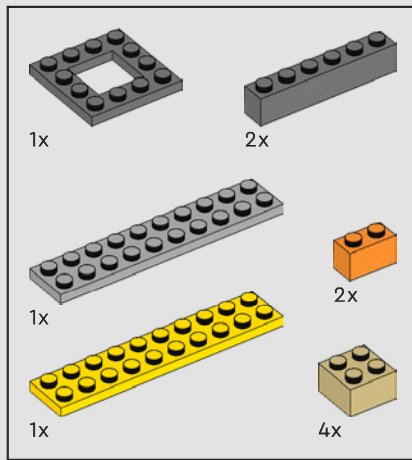
30



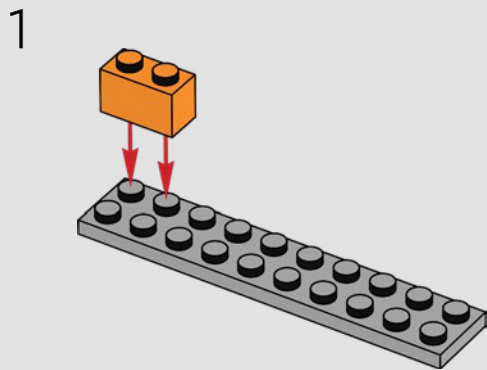


31

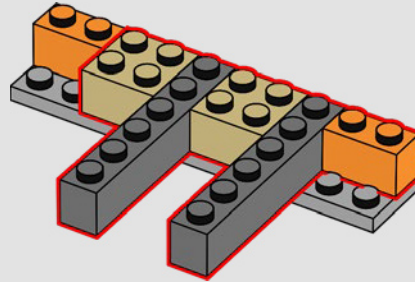




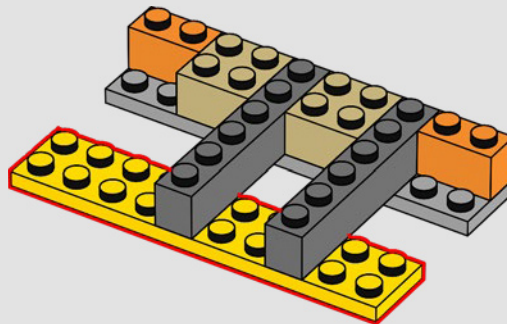
32



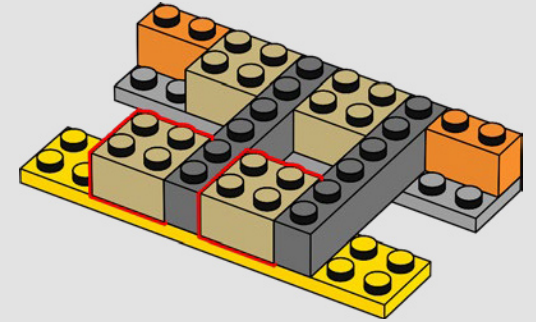
2



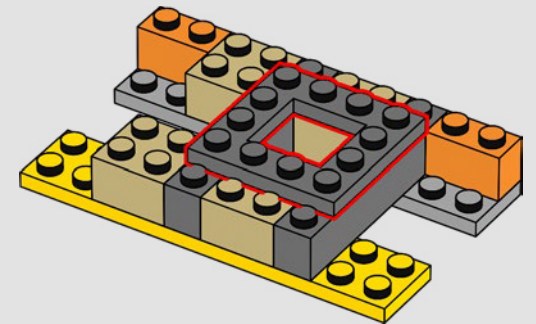
3

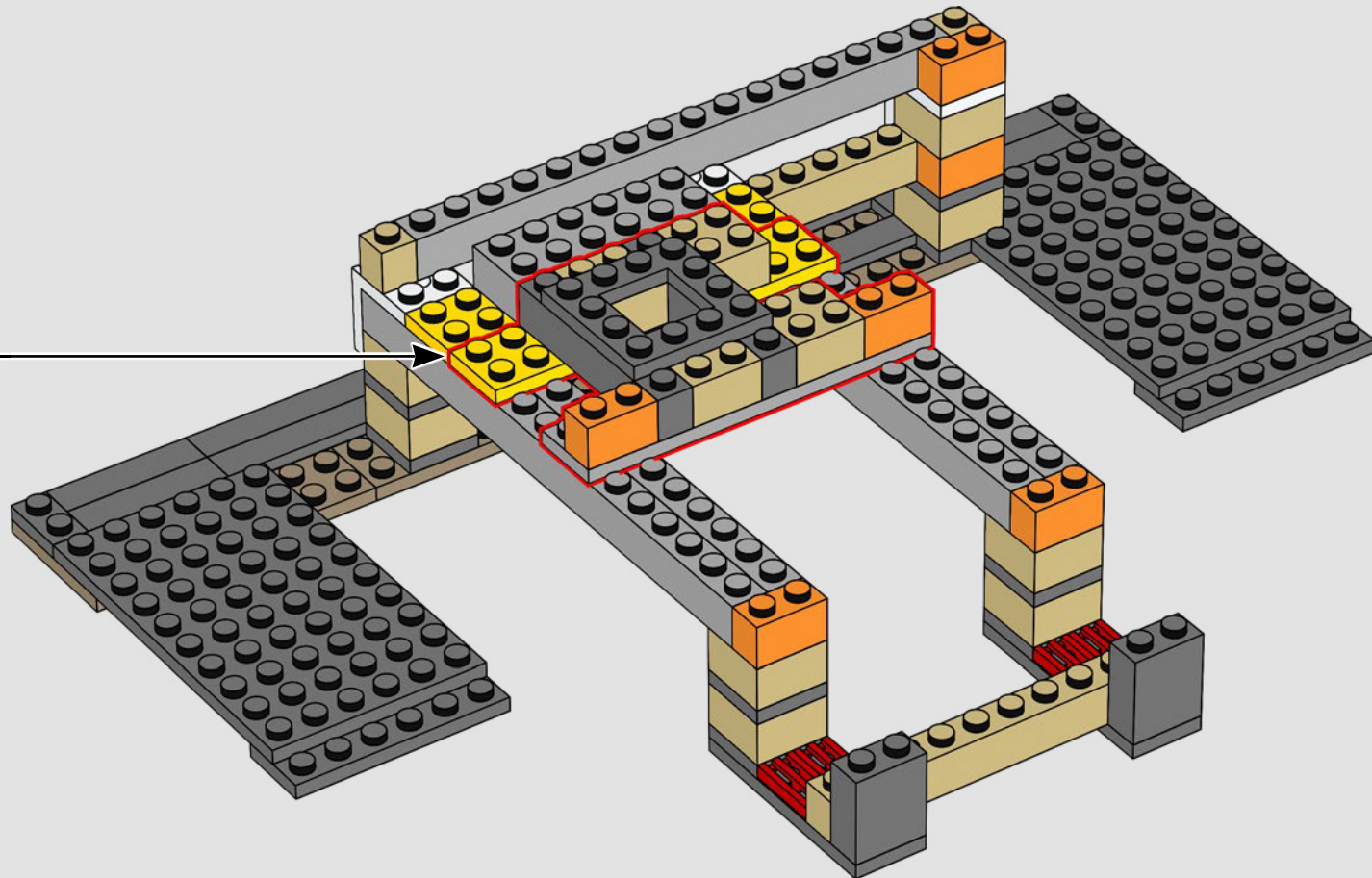


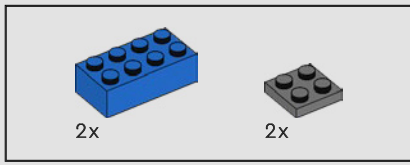
4



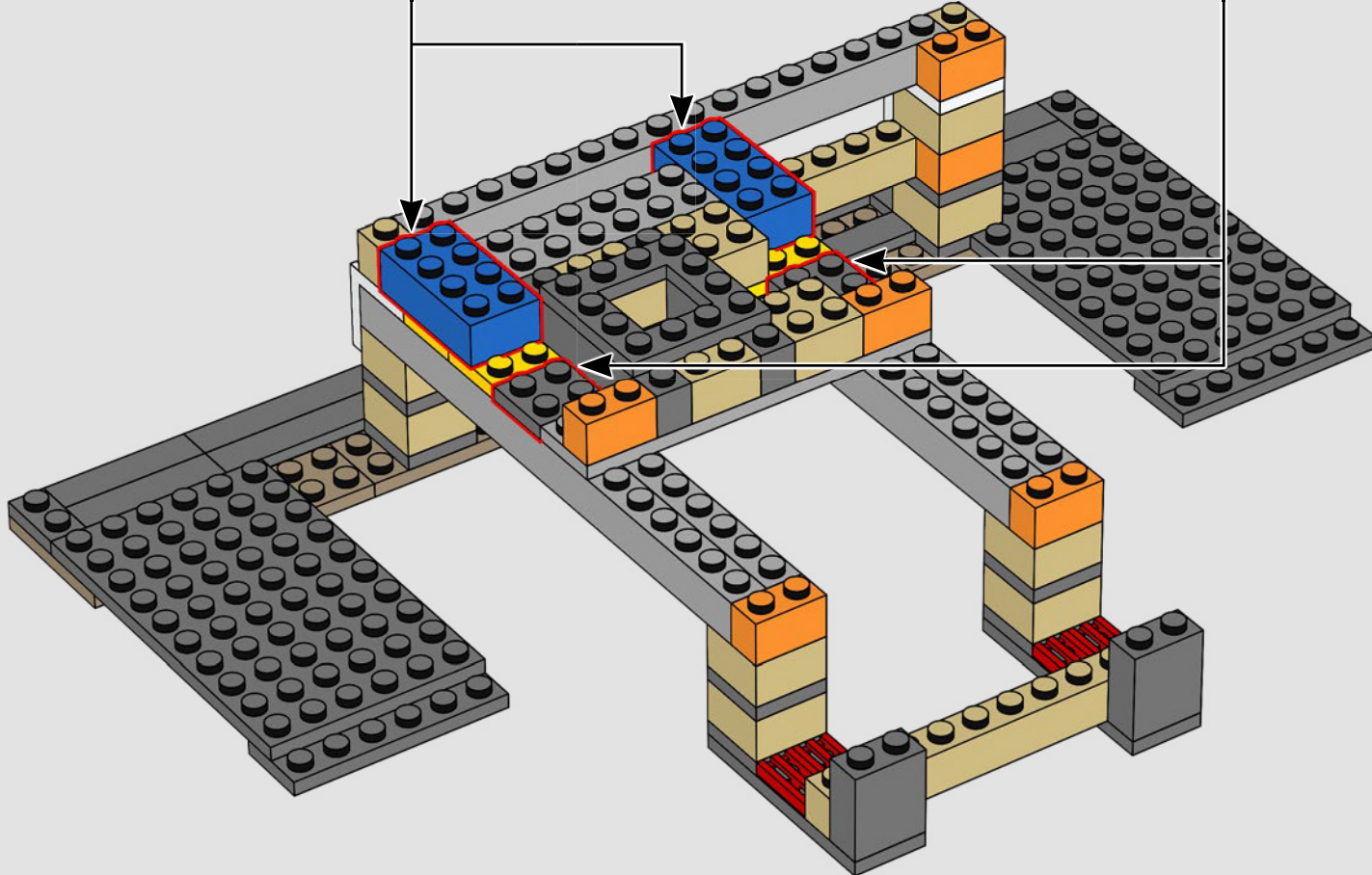
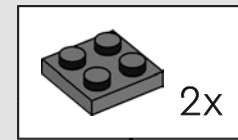
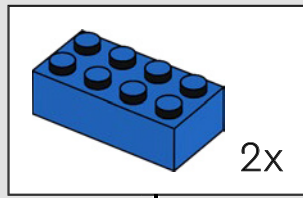
5

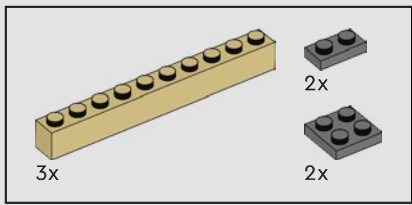




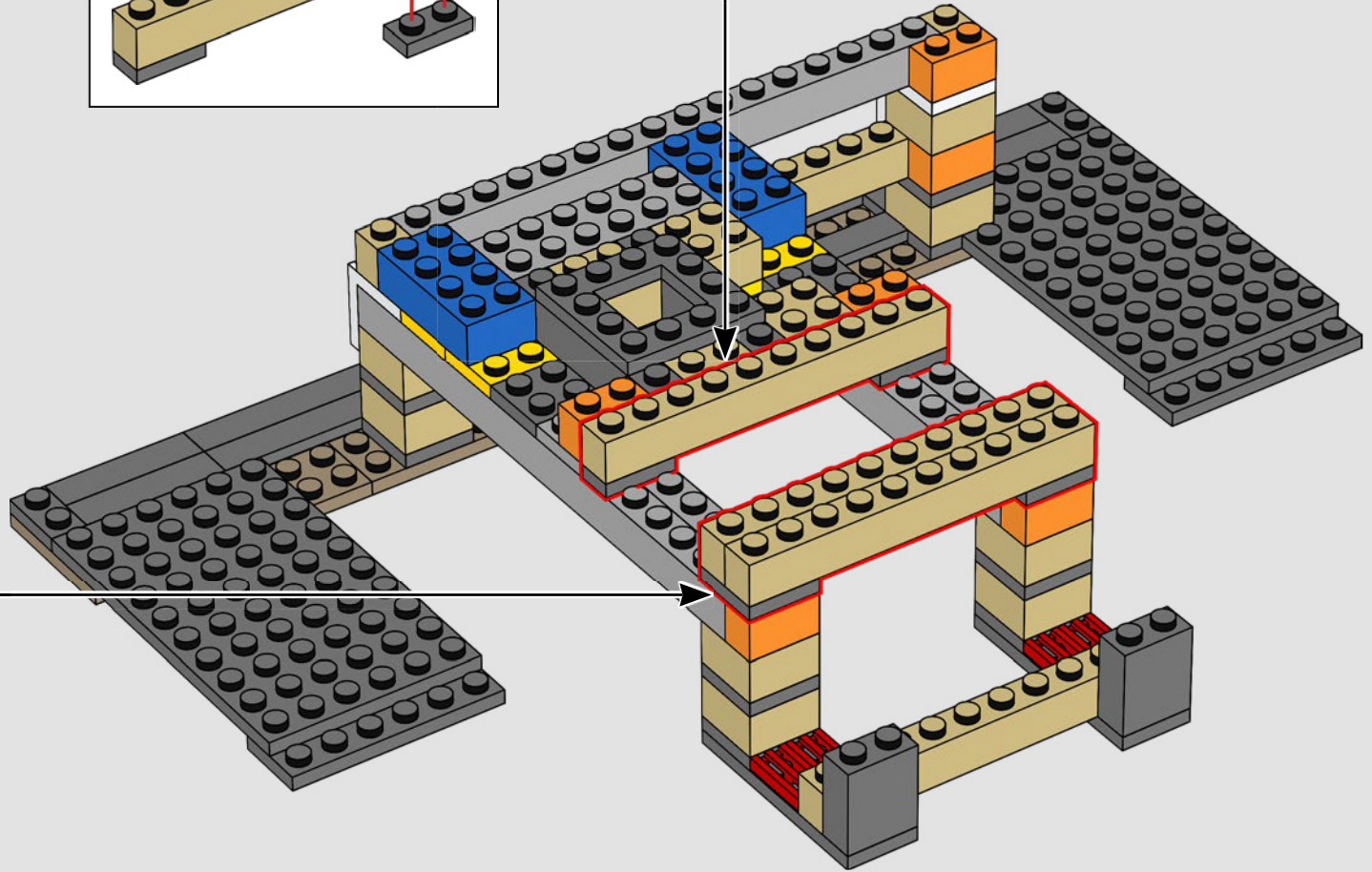
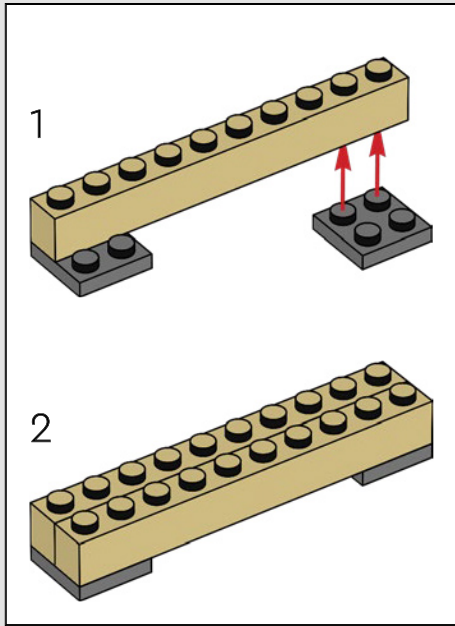
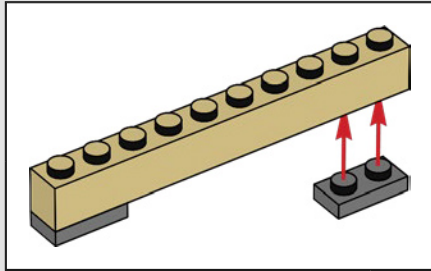


33

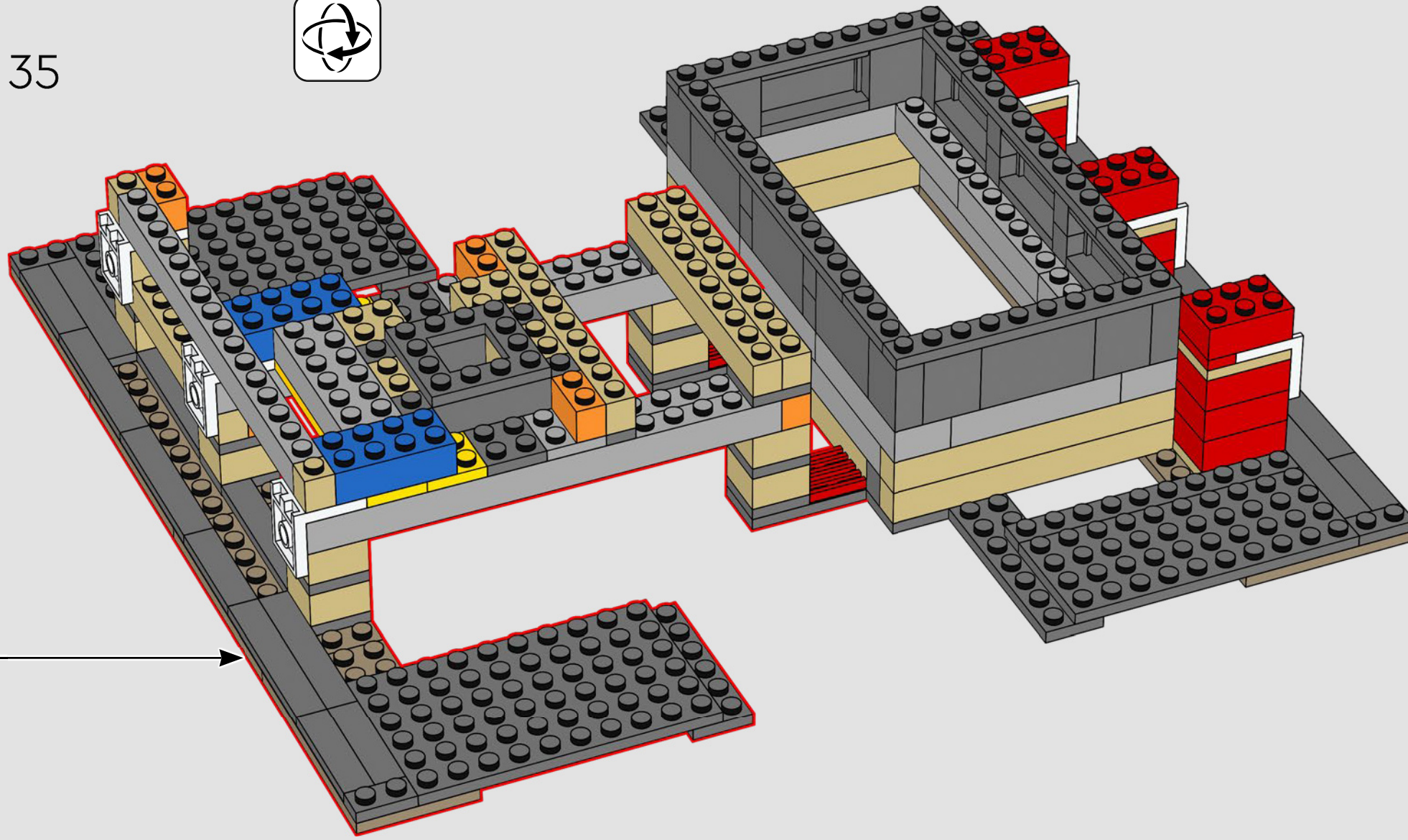


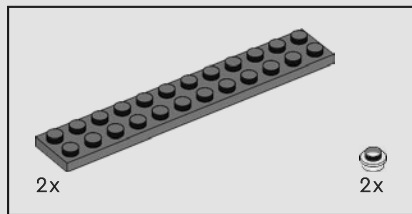


34

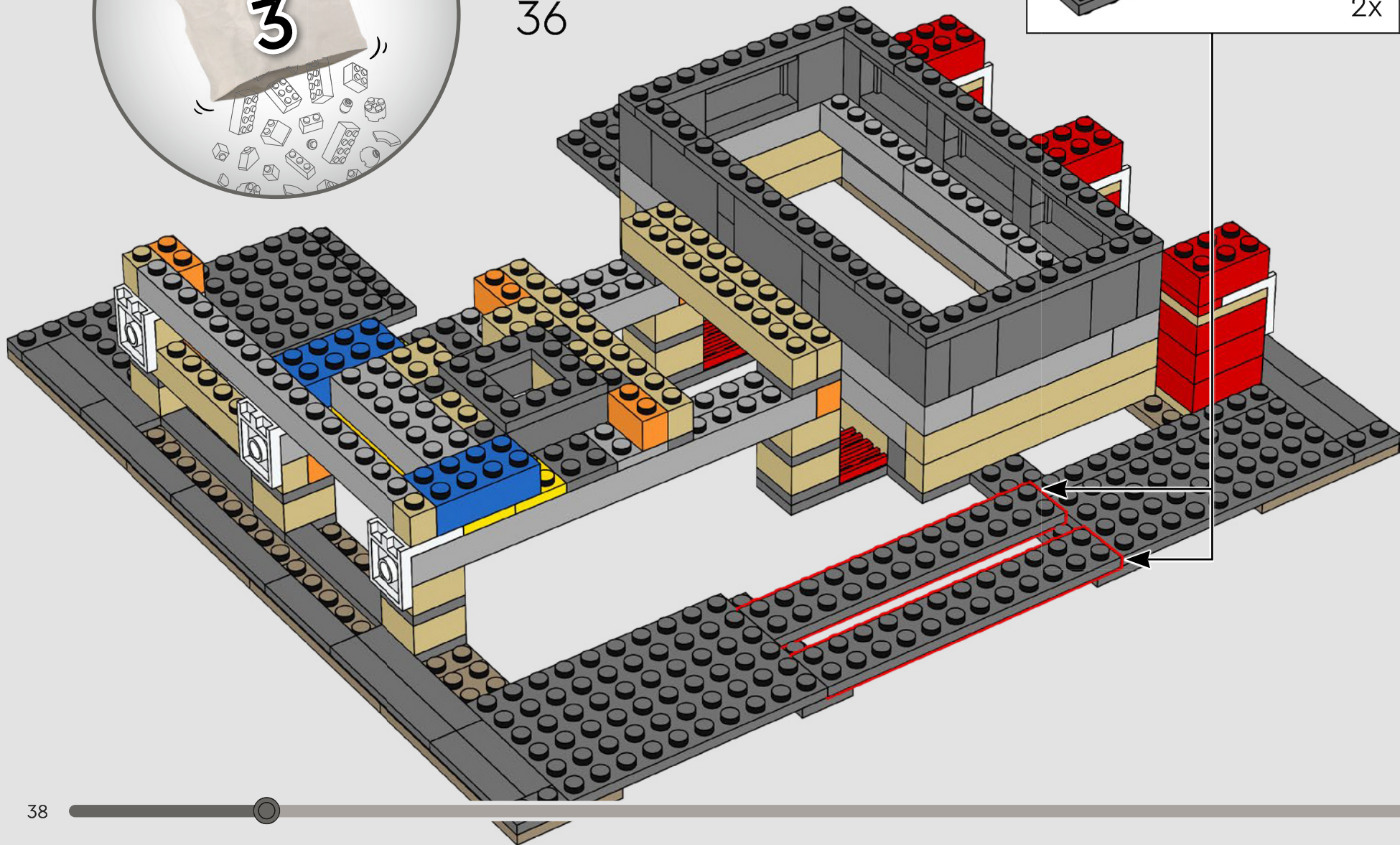
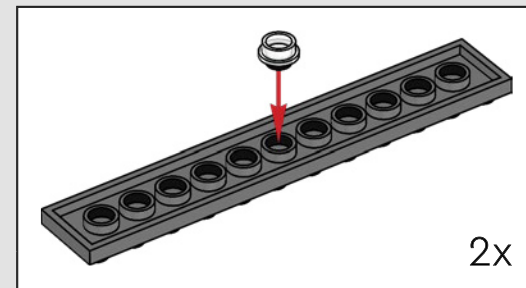


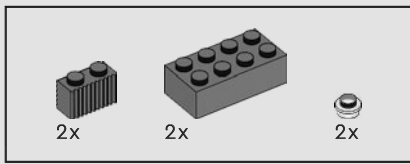
35



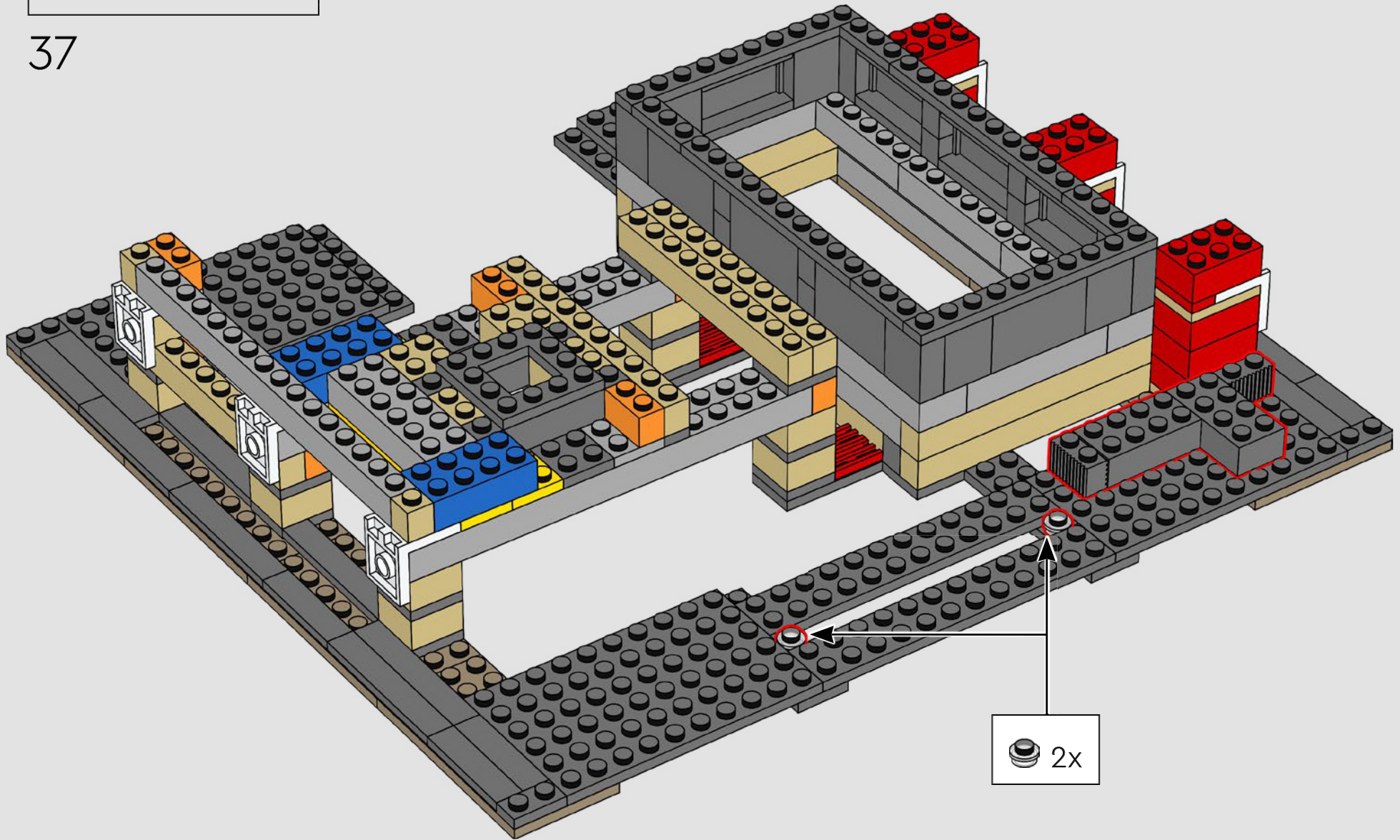


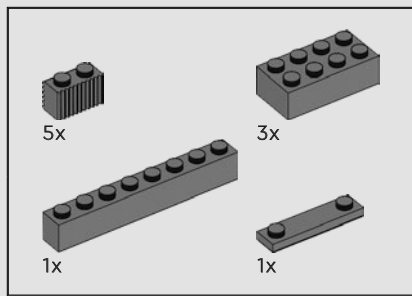
36



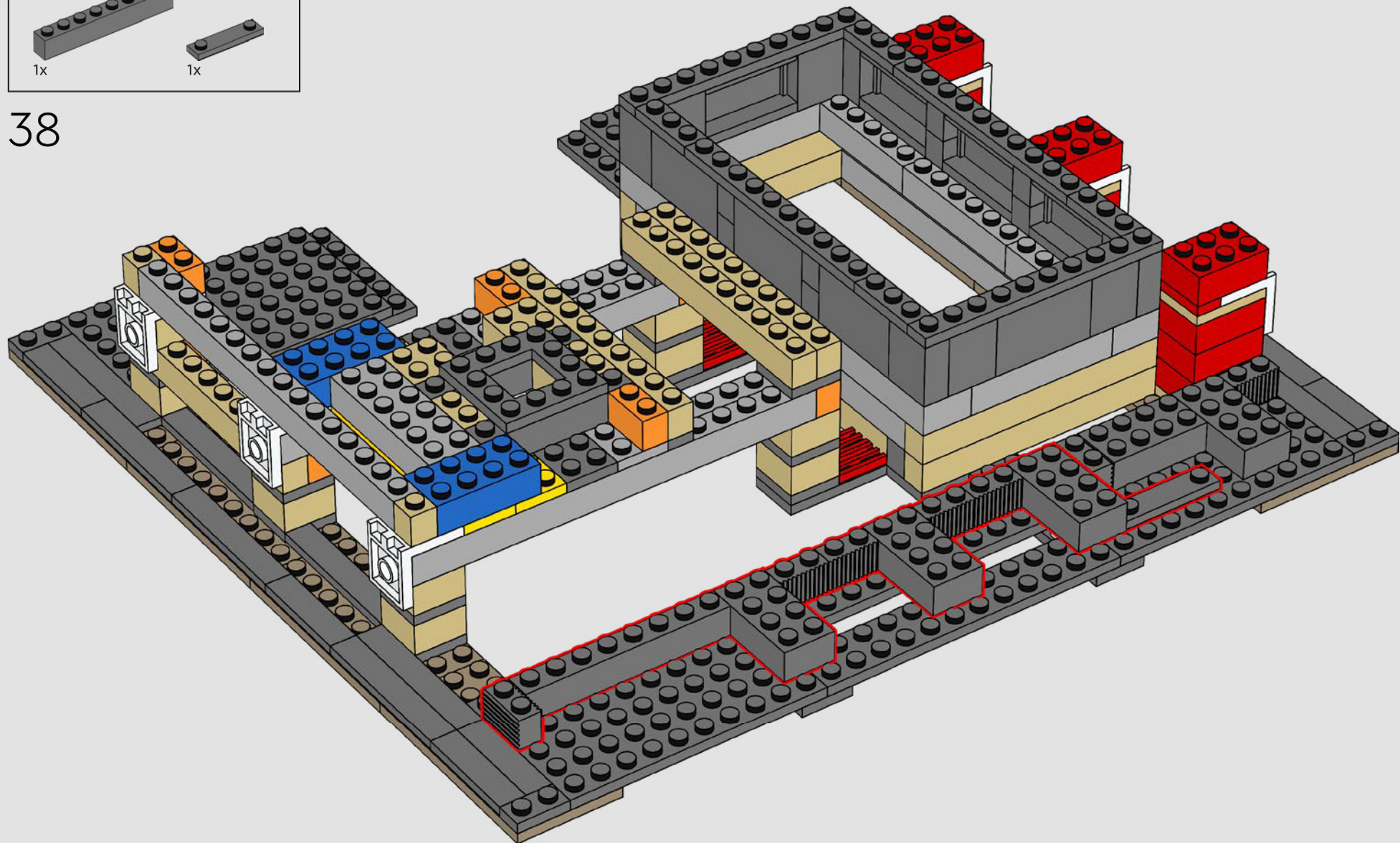


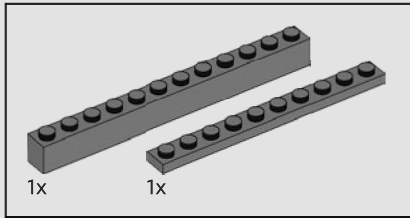
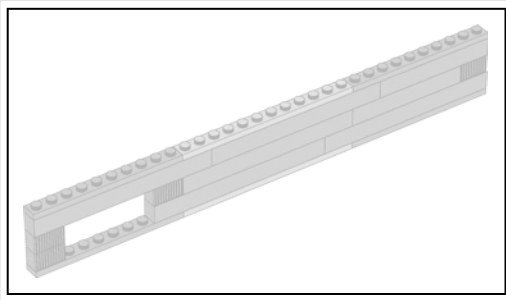
37



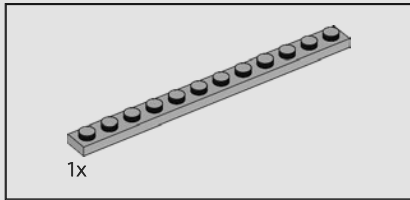


38

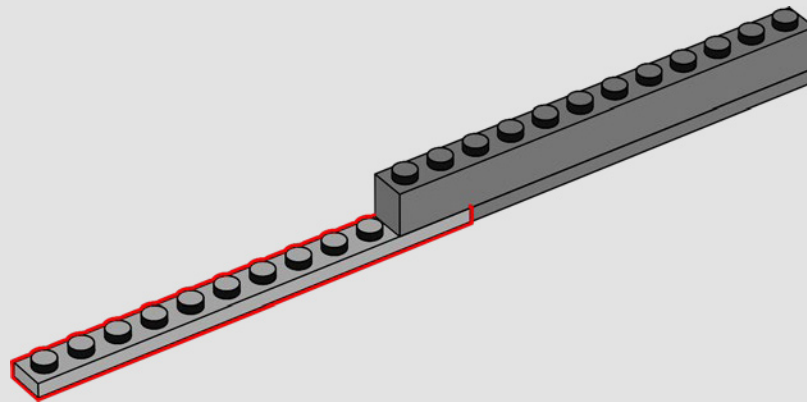
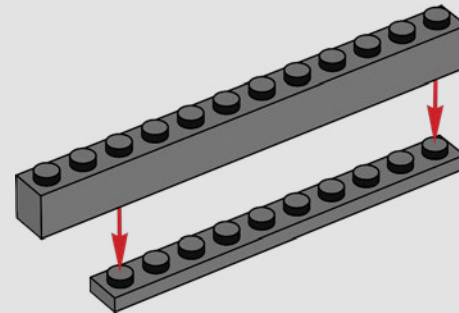


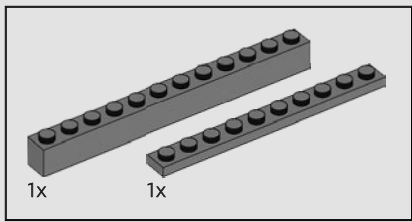


39

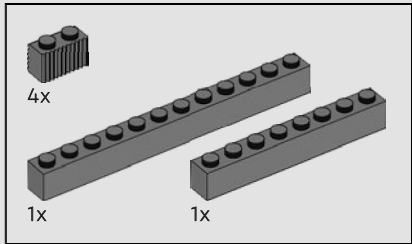
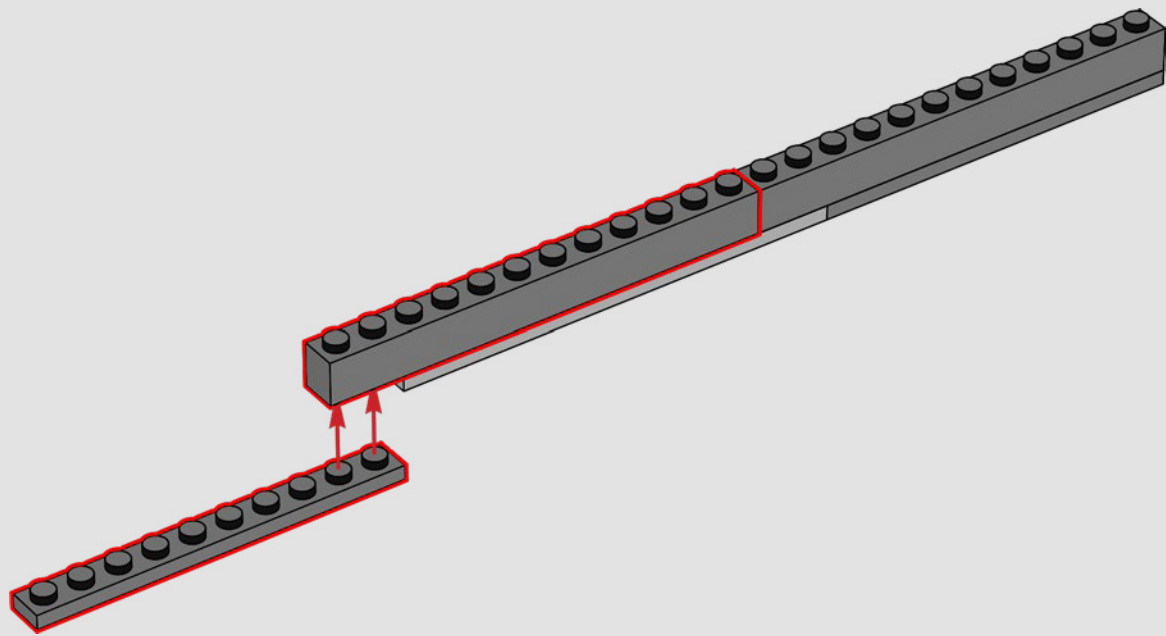


40

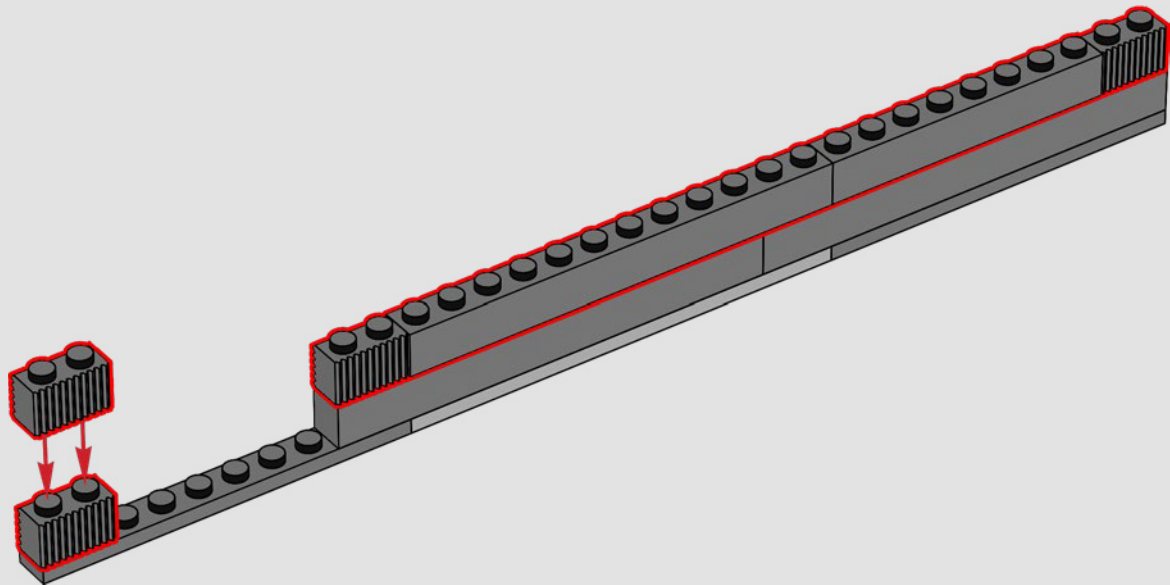


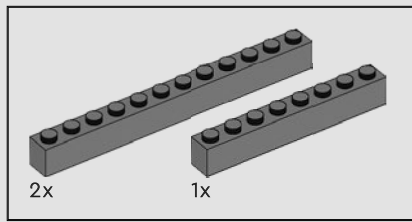


41

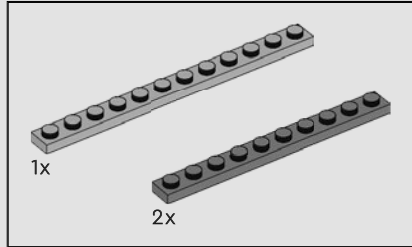
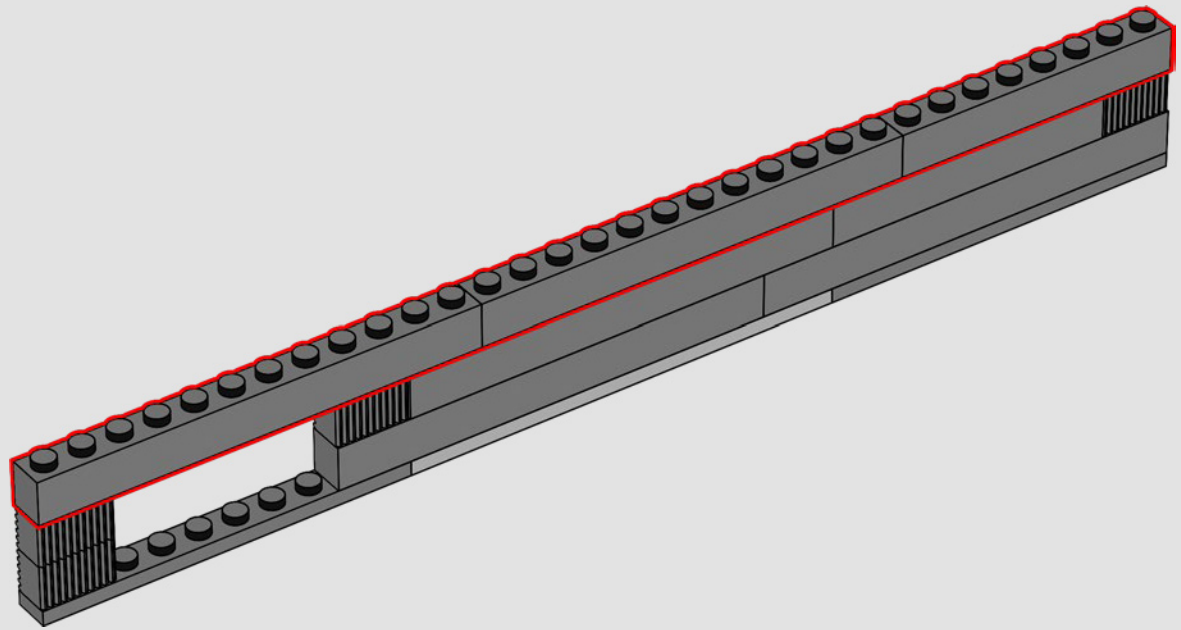


42

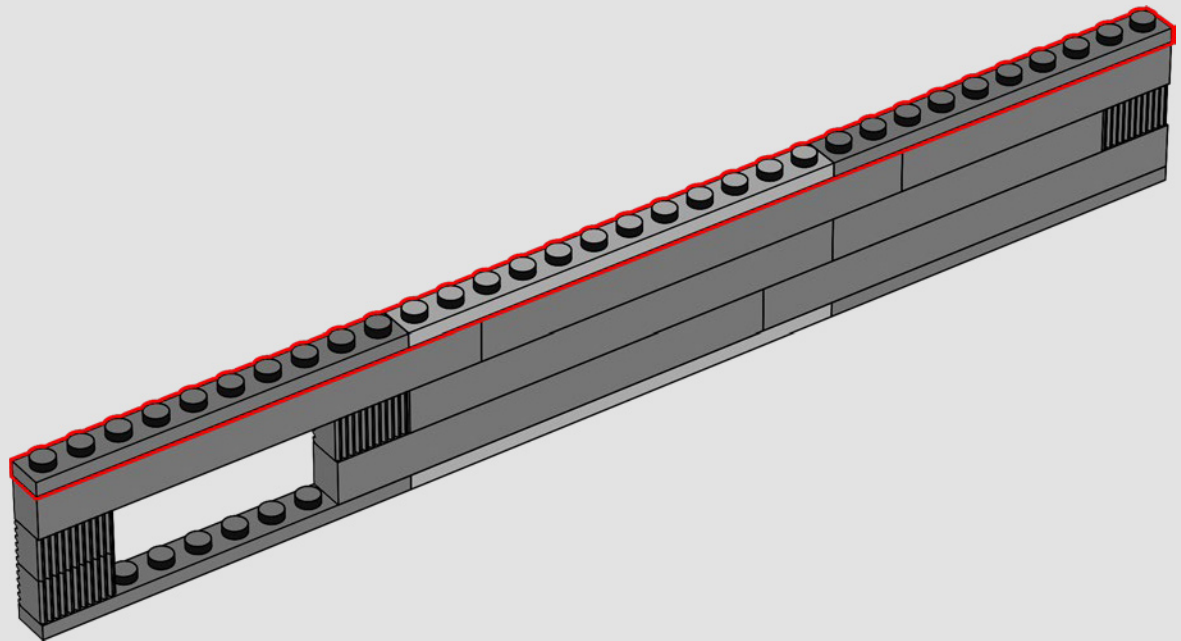




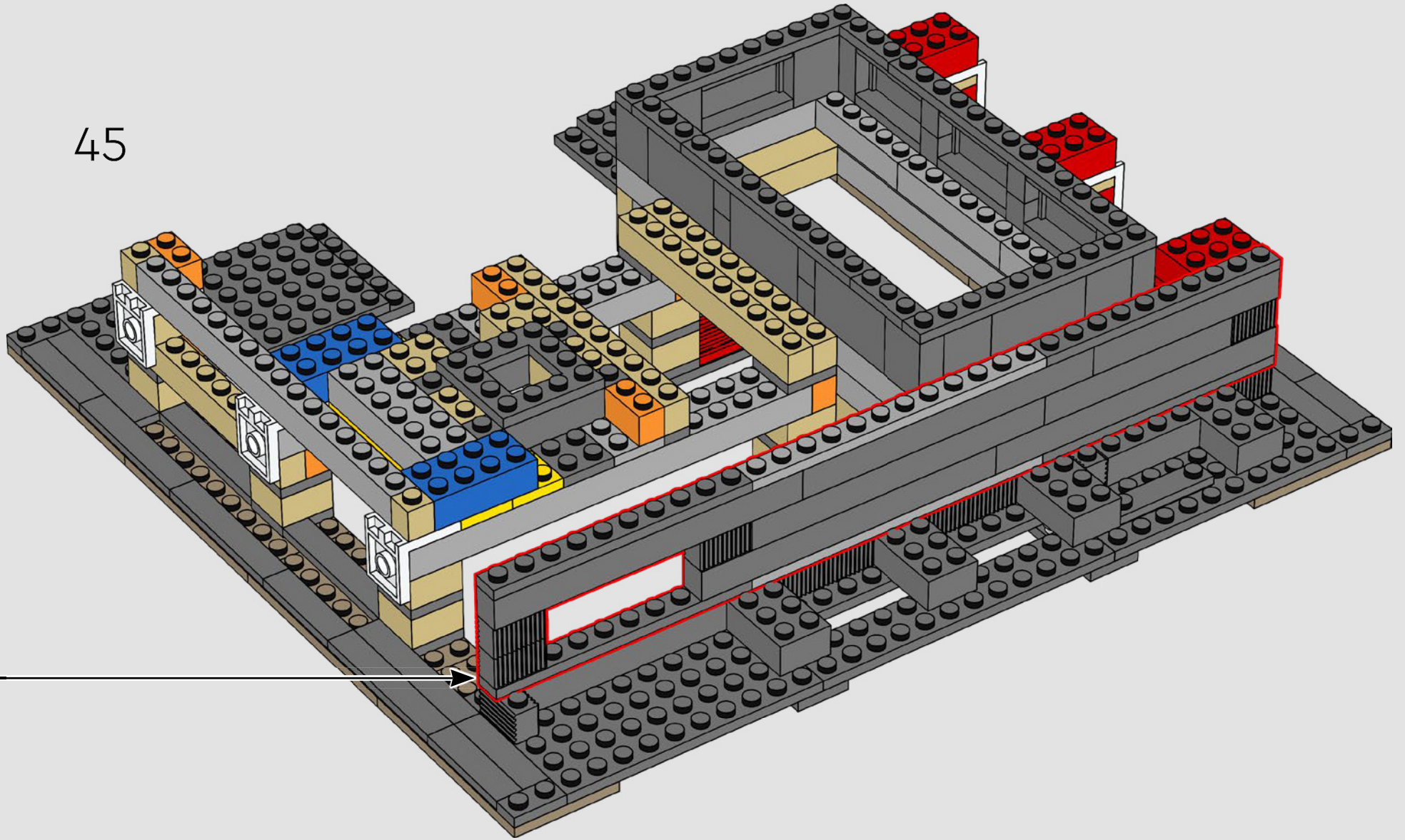
43

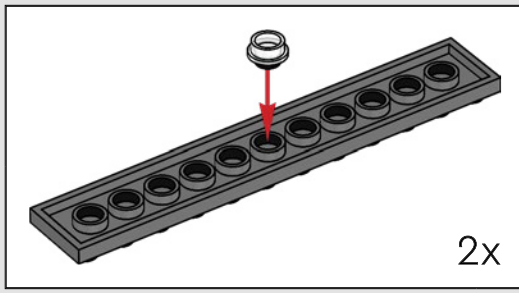
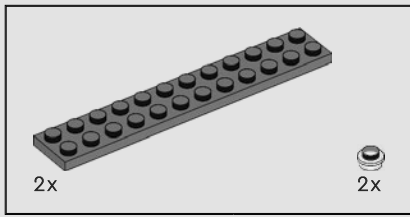


44

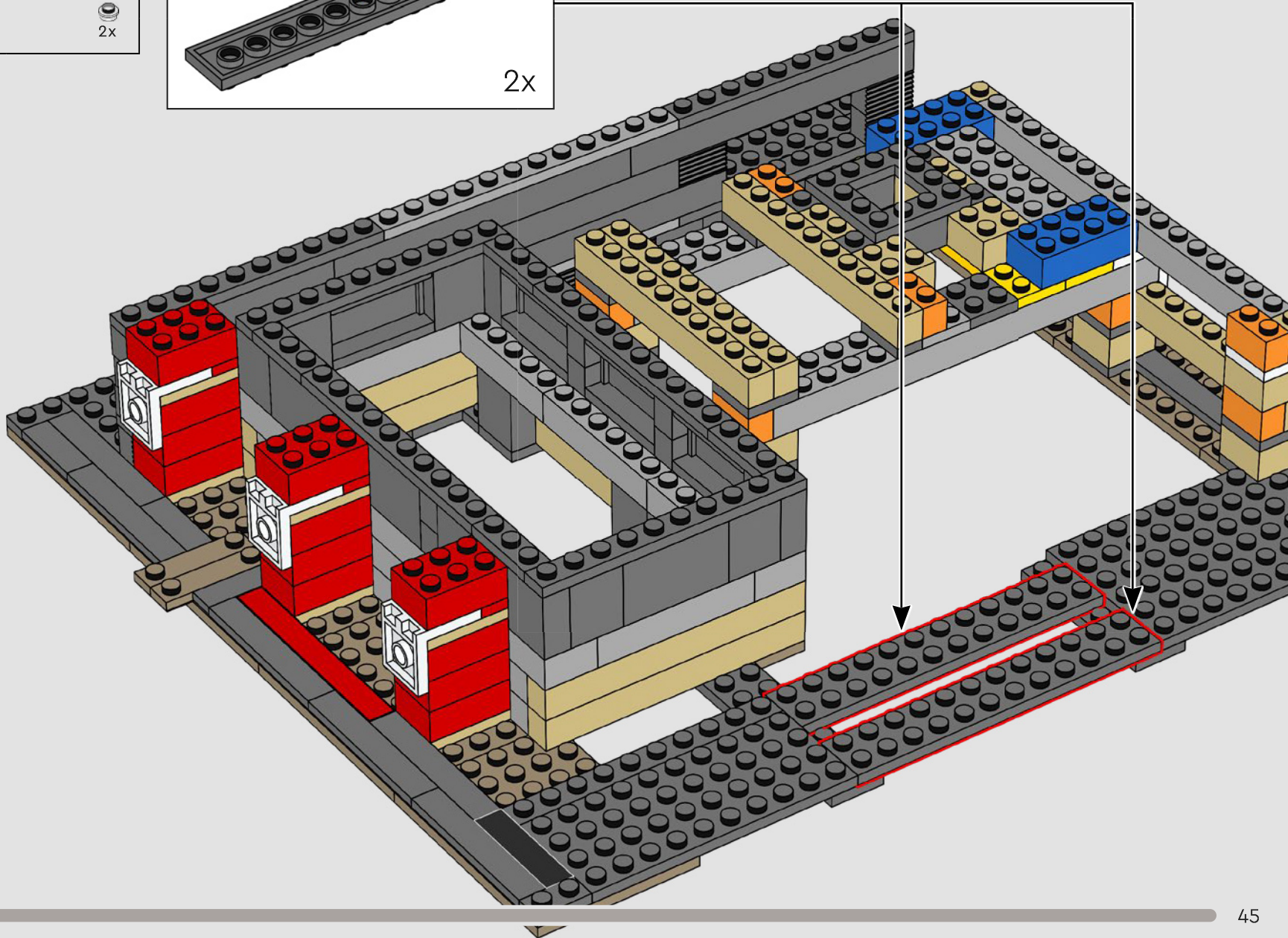


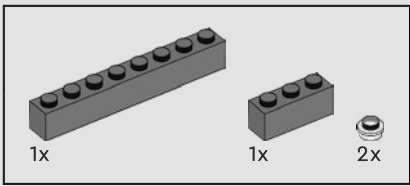
45



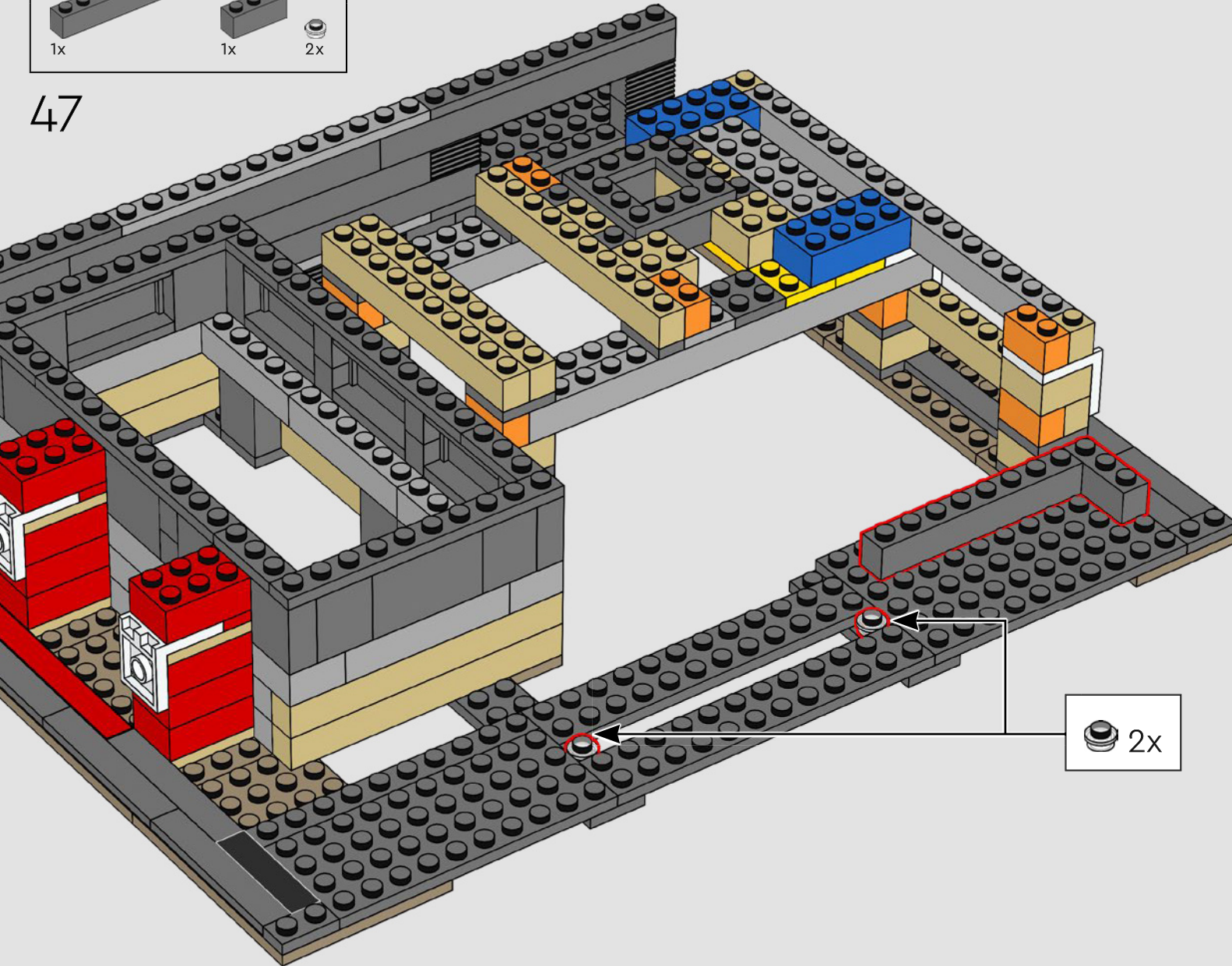


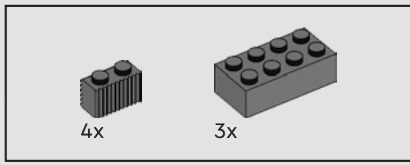
46



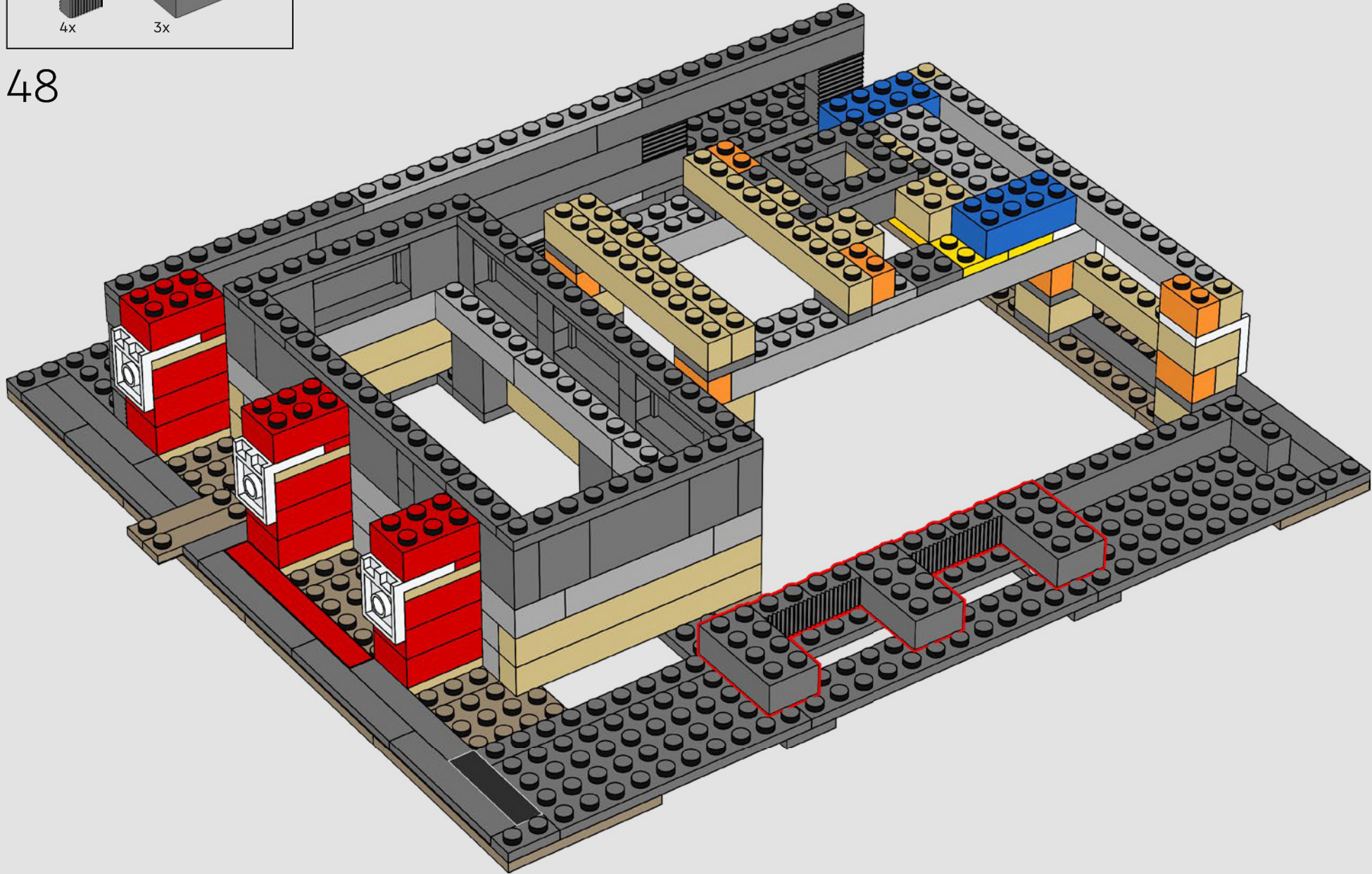


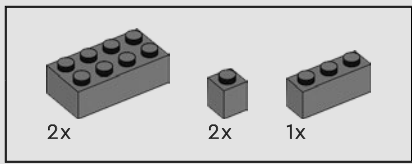
47



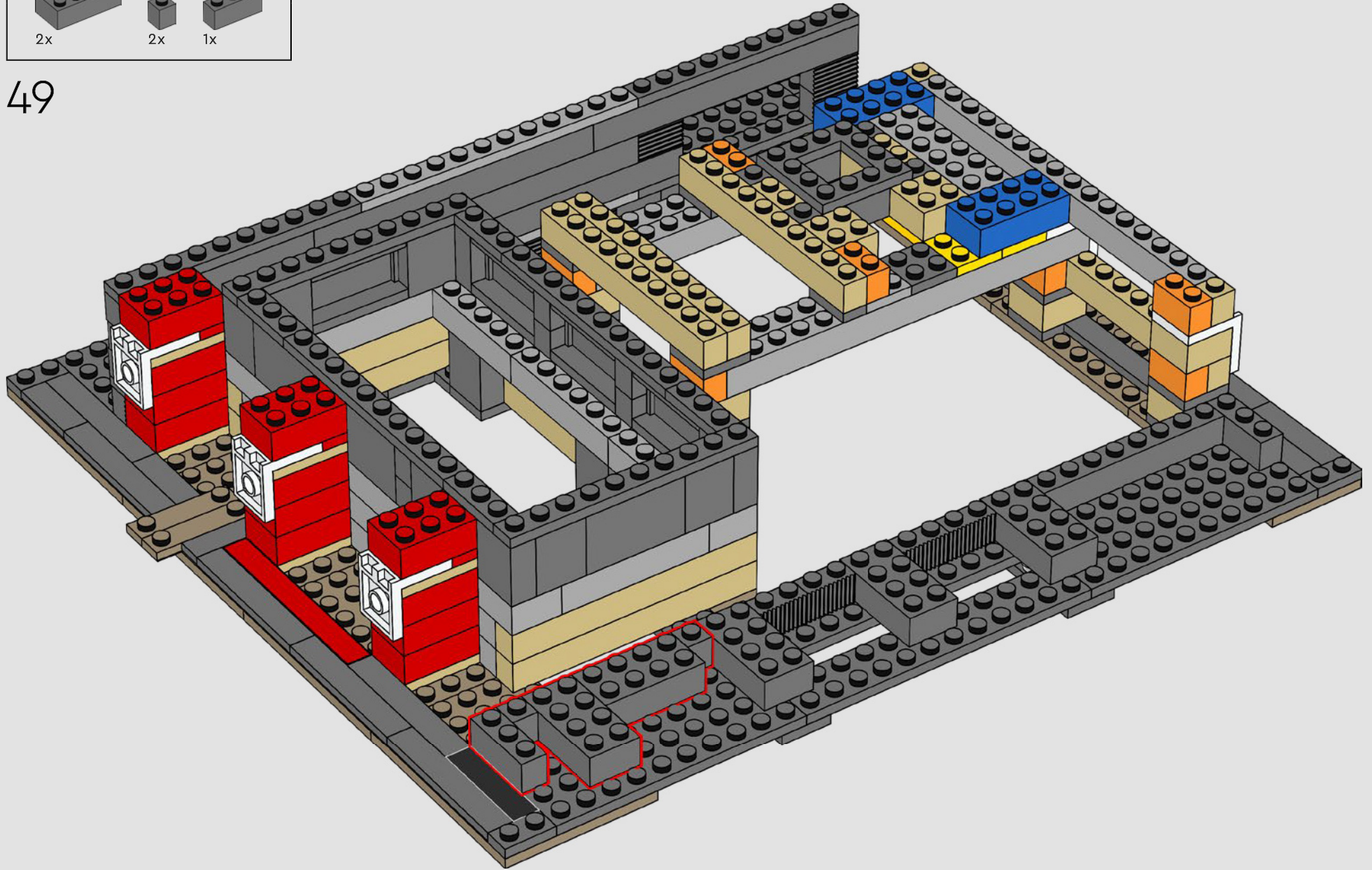


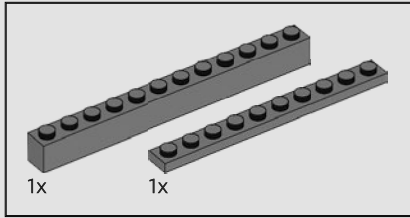
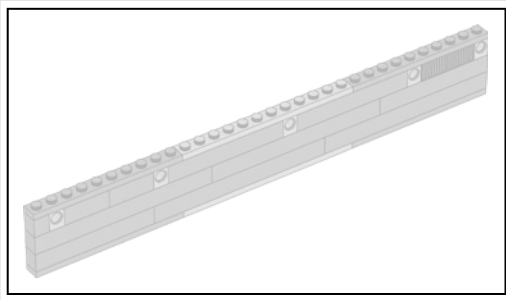
48



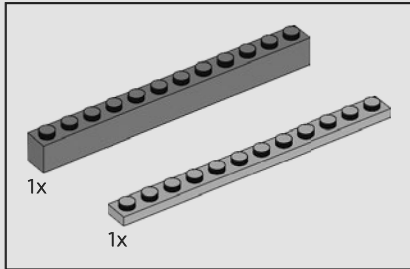
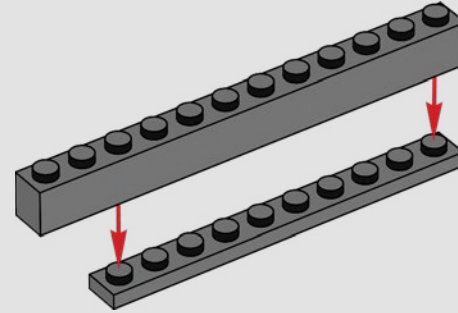


49

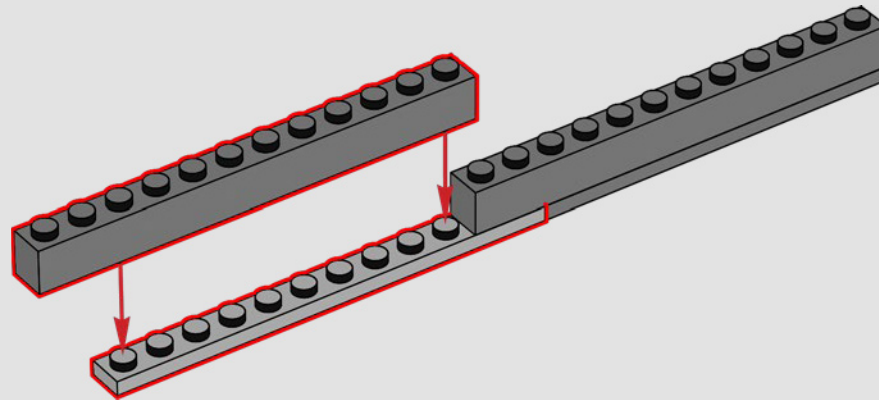


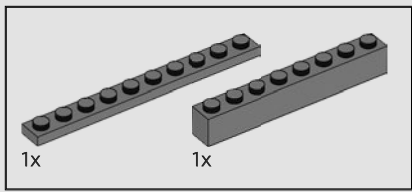


50

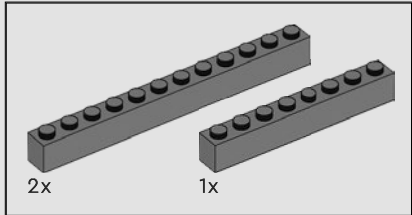
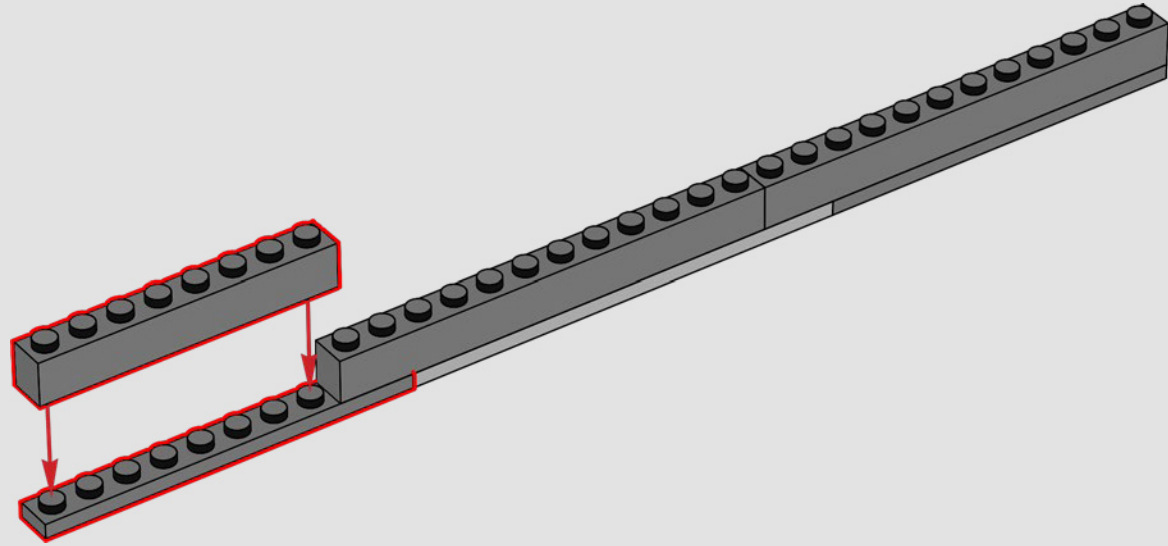


51

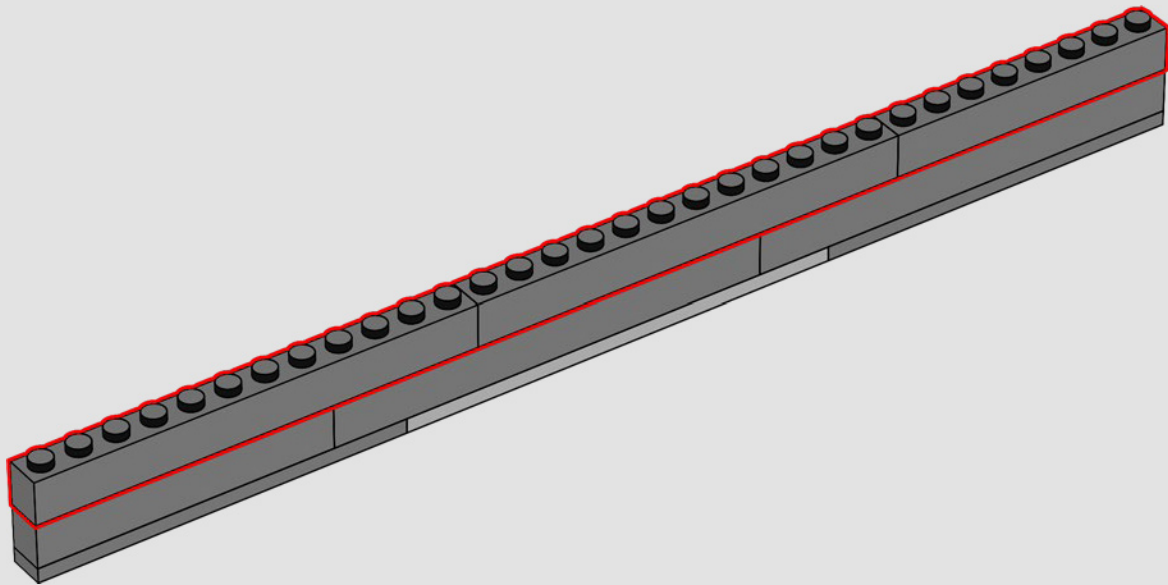


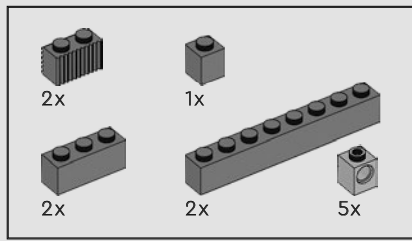


52

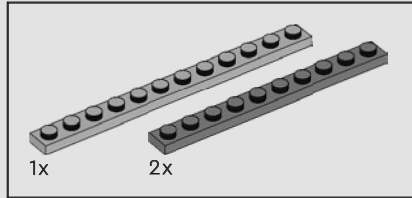
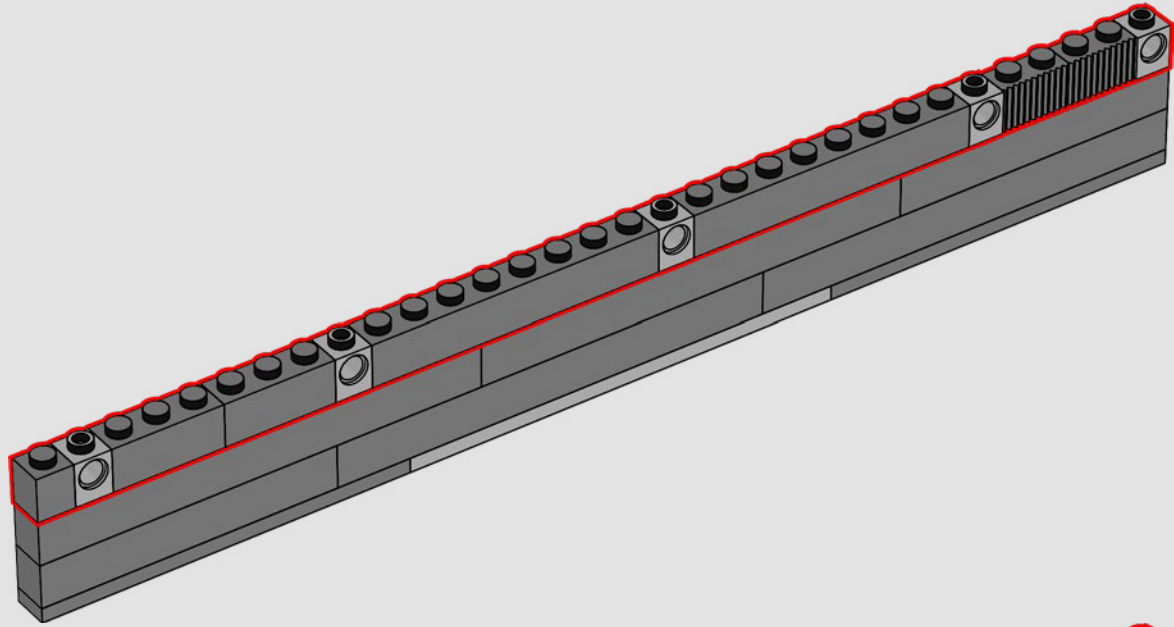


53

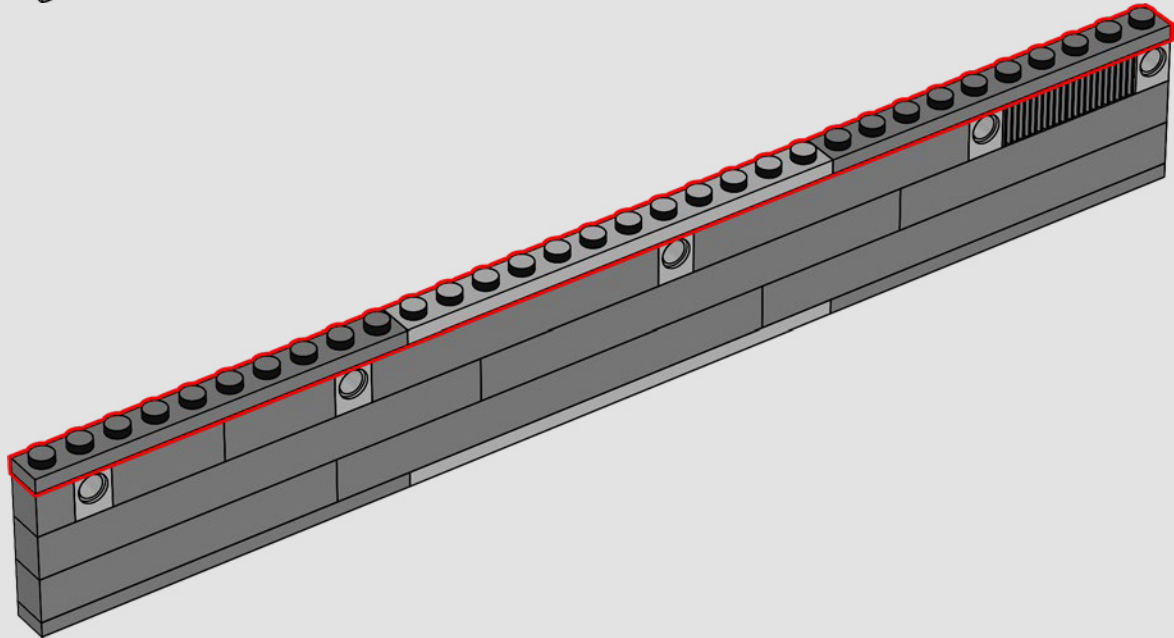


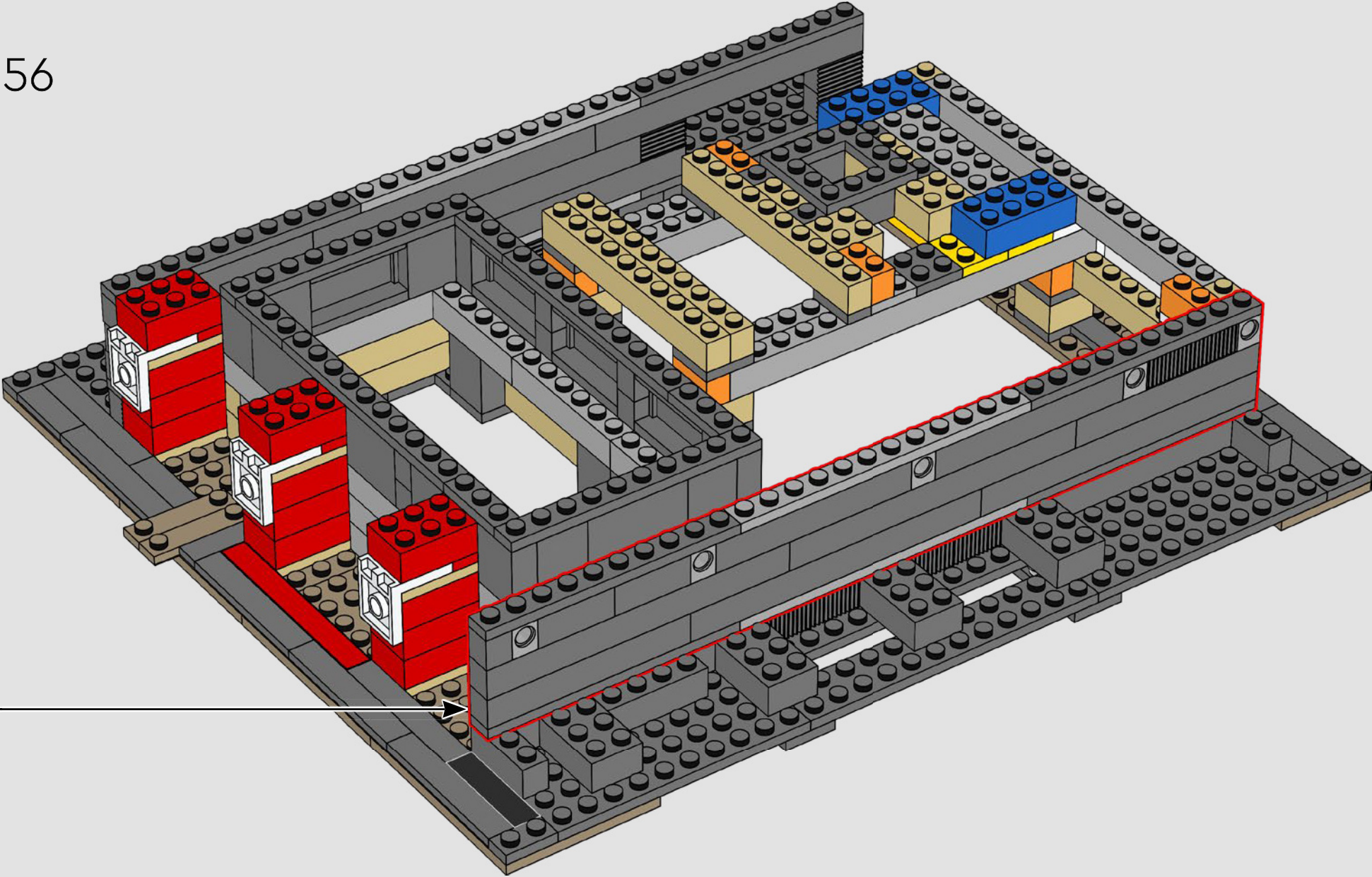


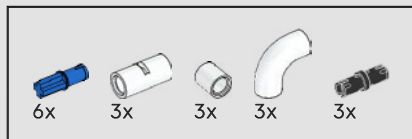
54



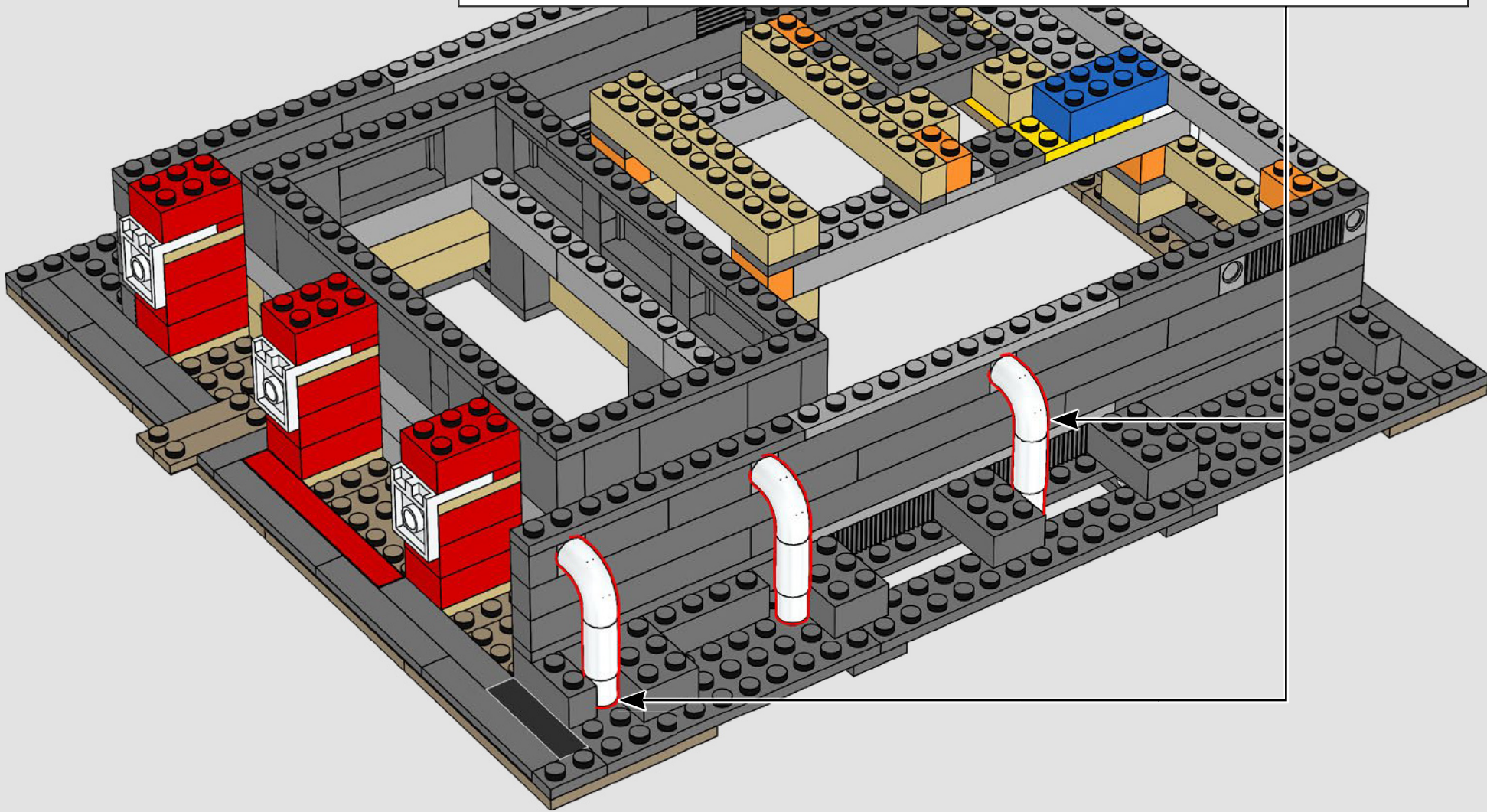
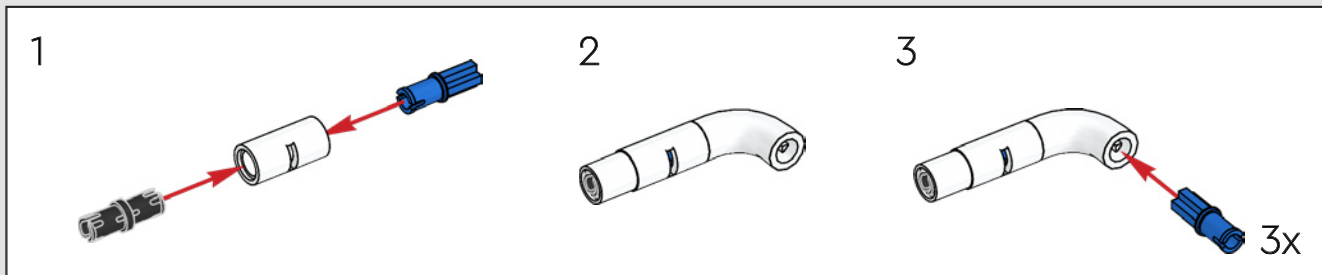
55

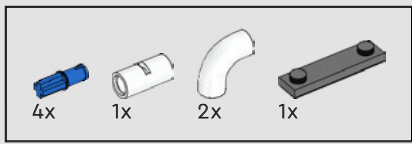




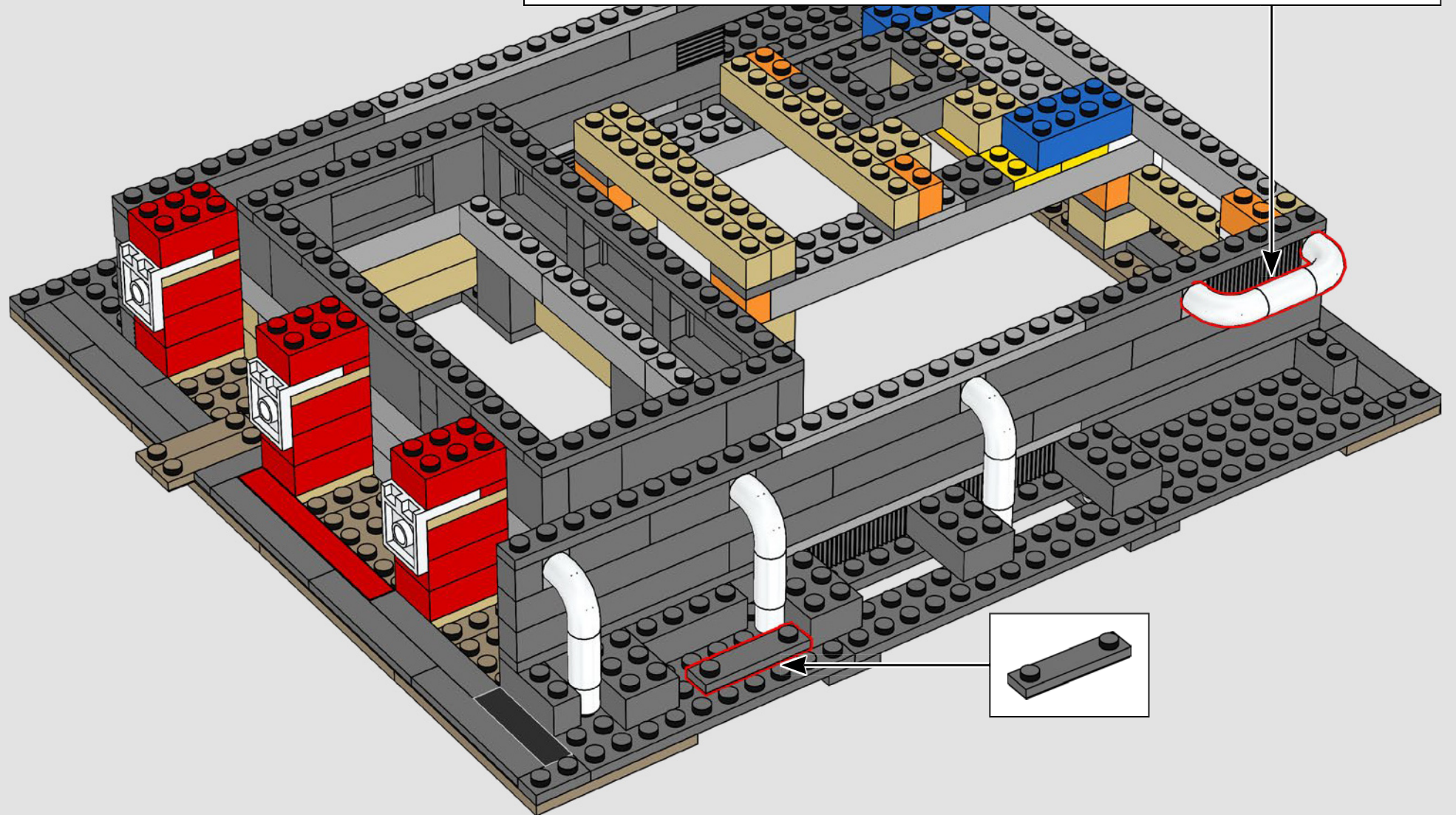
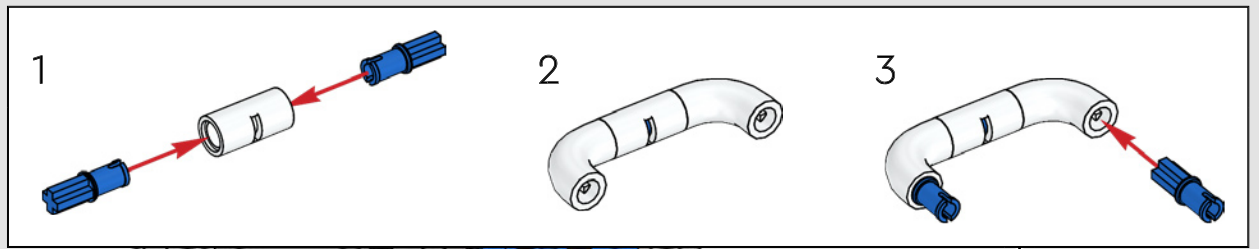


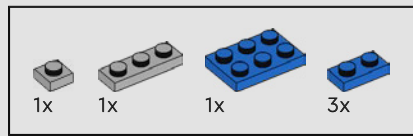
57



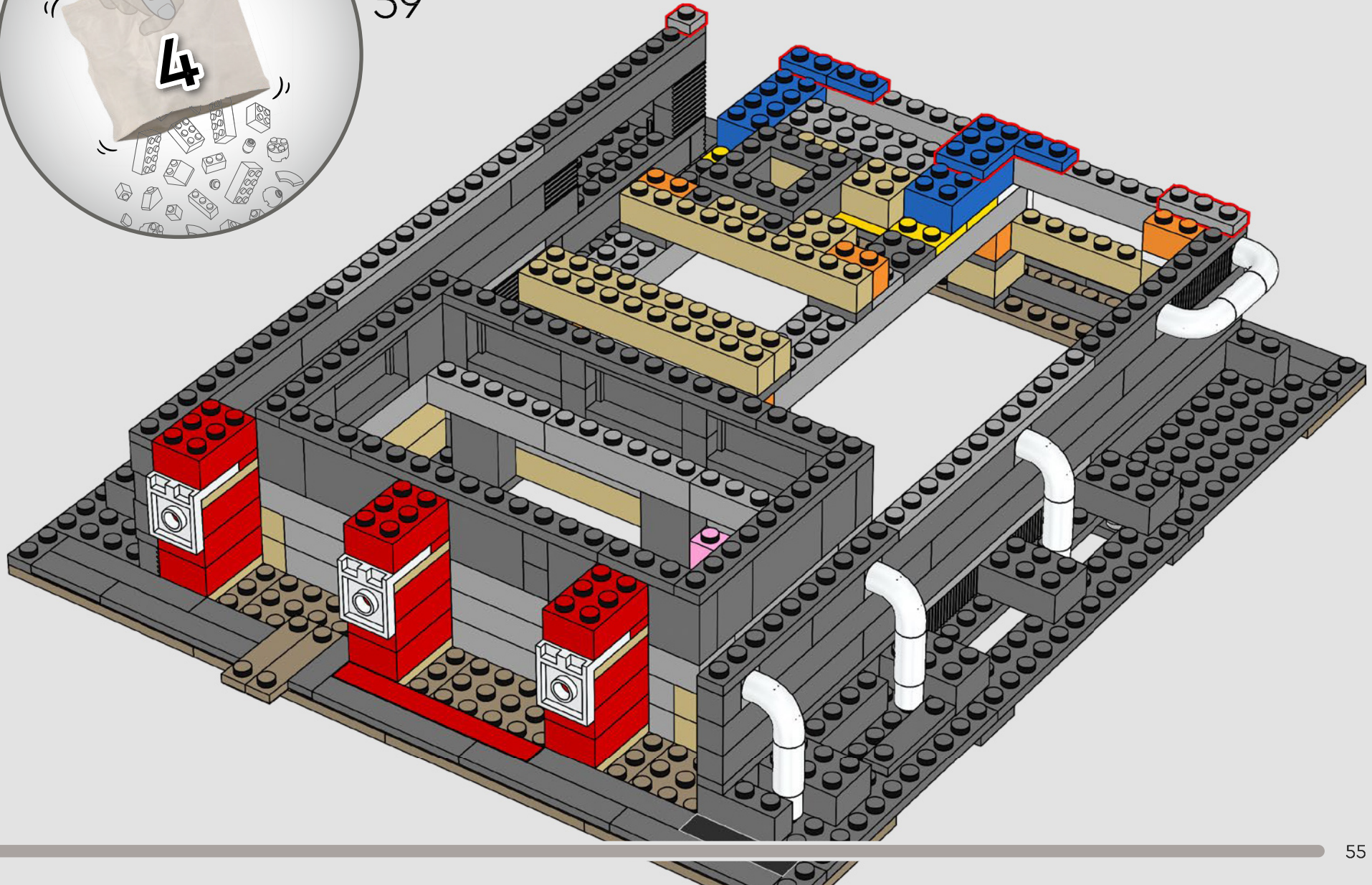


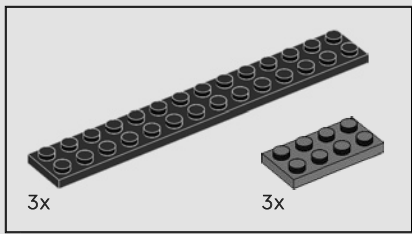
58



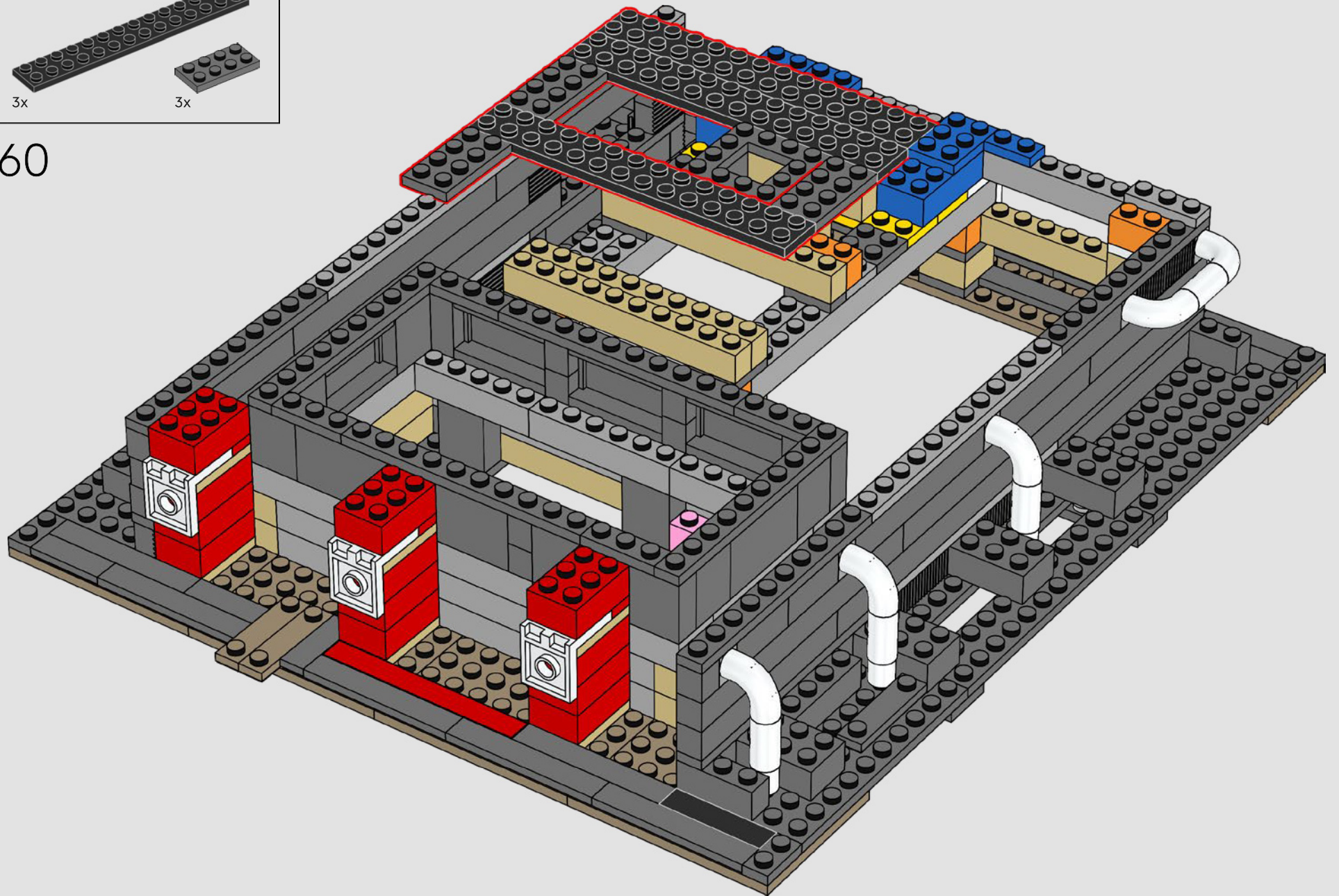


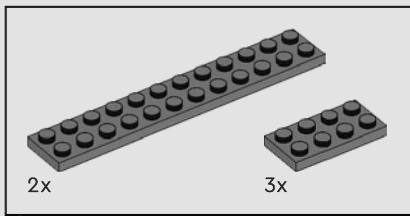
59



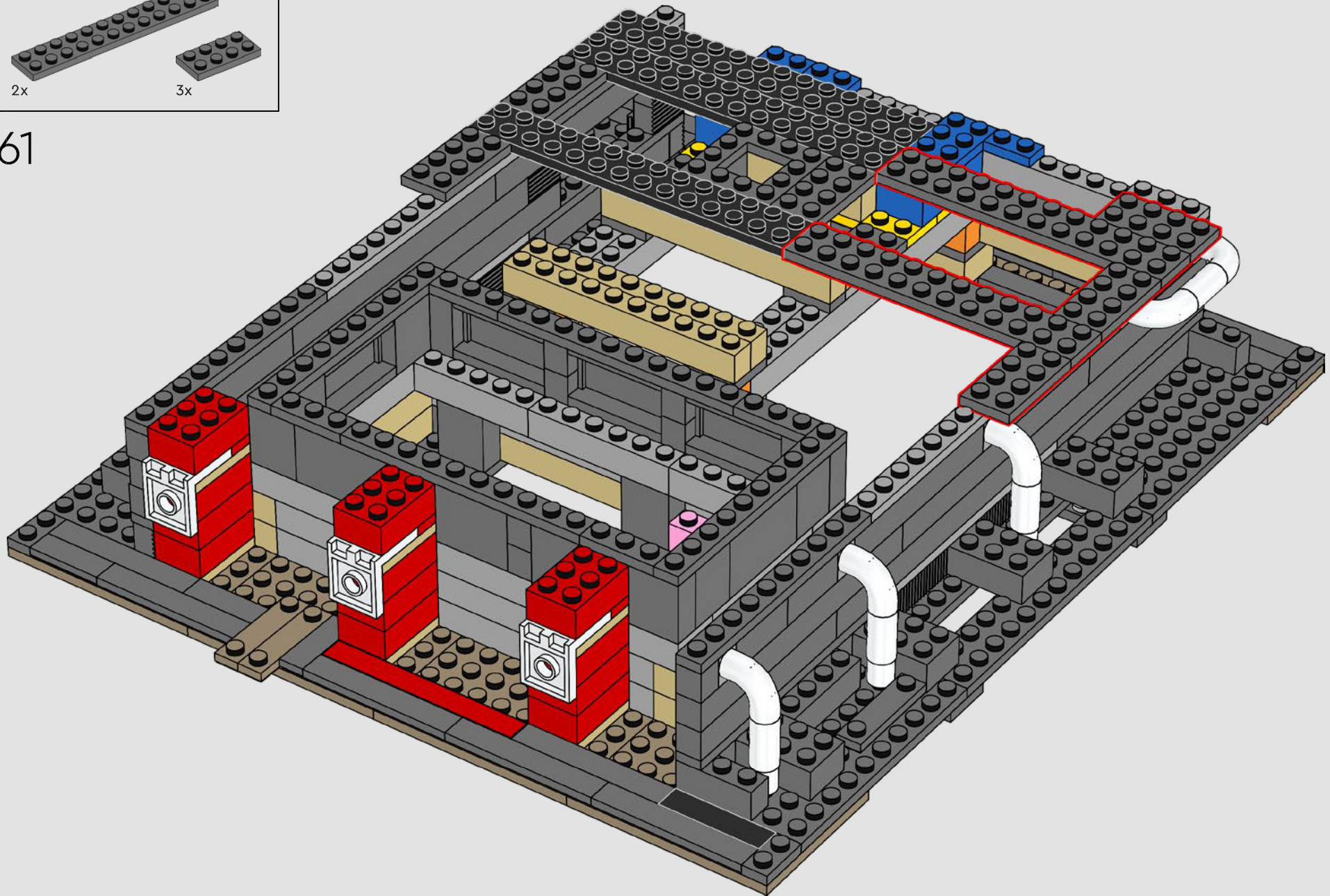


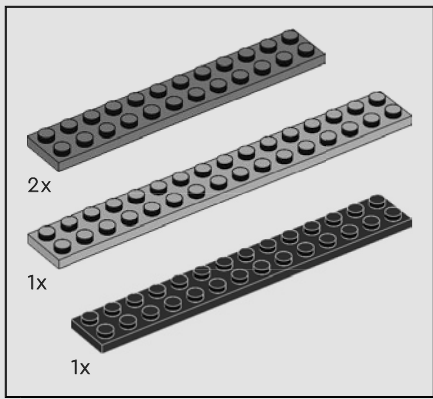
60



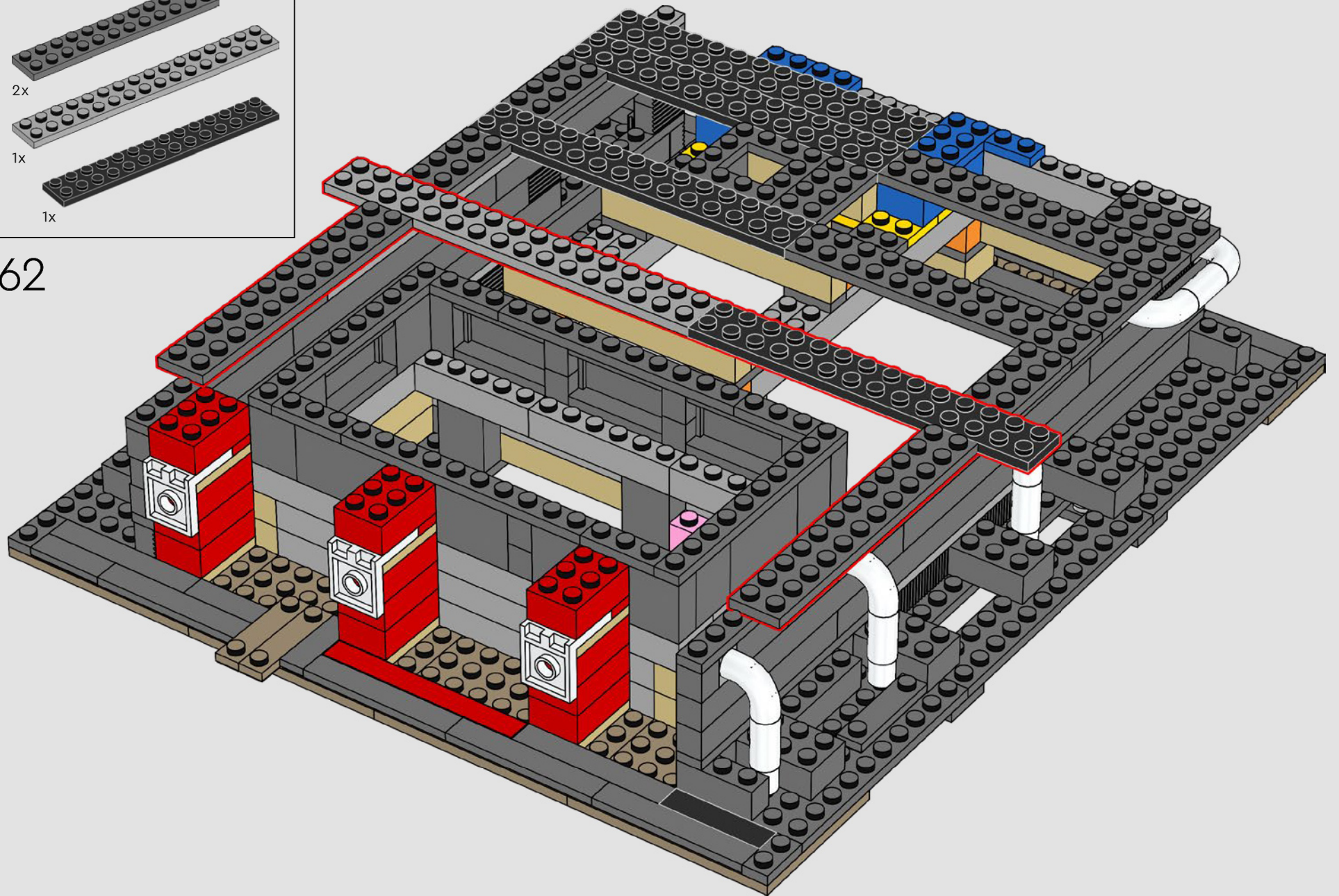


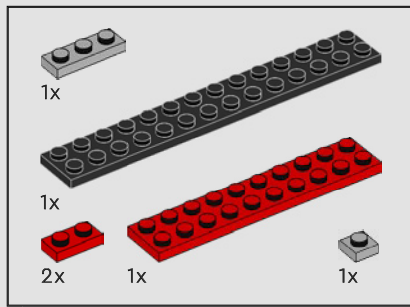
61



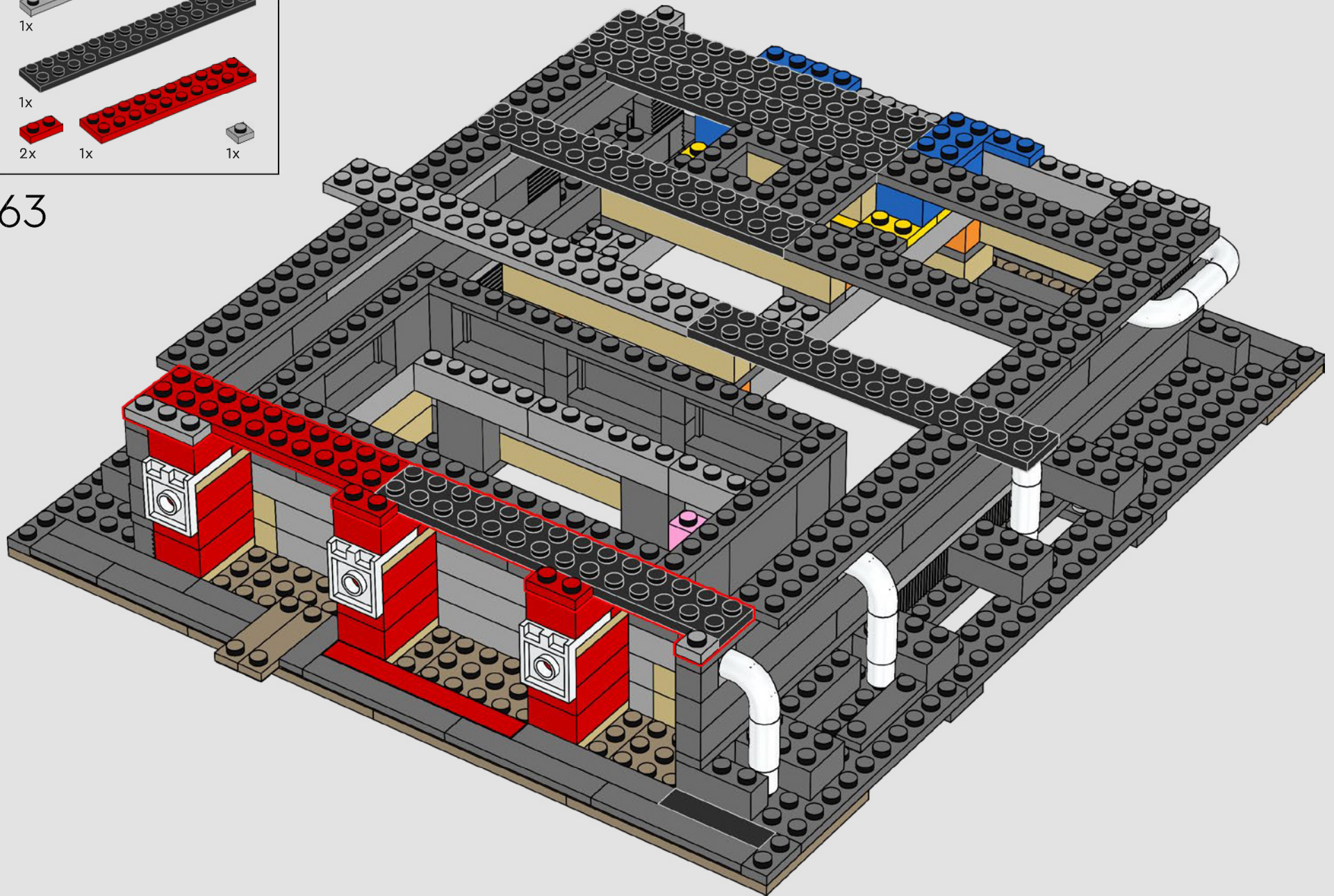


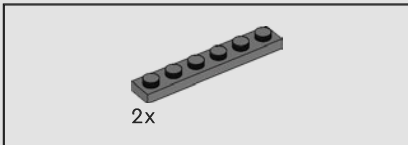
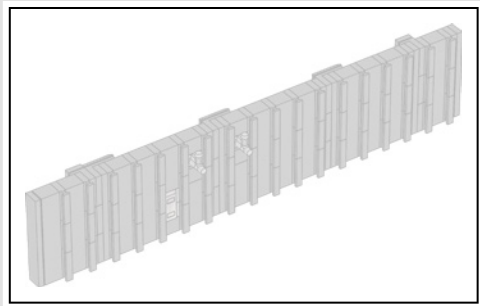
62



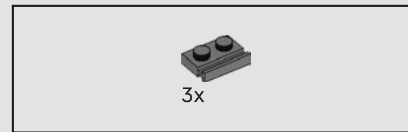
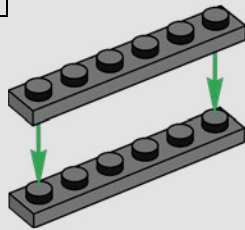


63

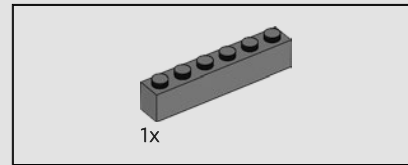
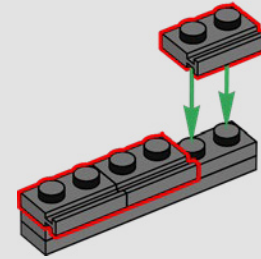




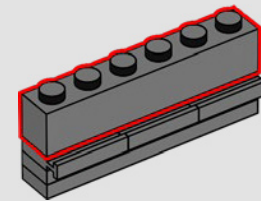
64

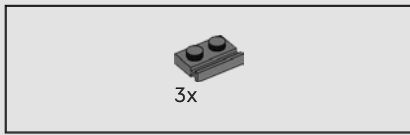


65

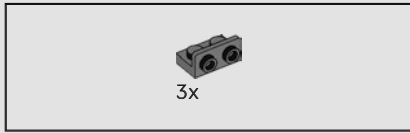
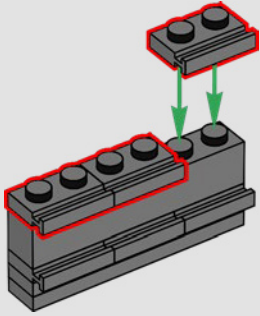


66

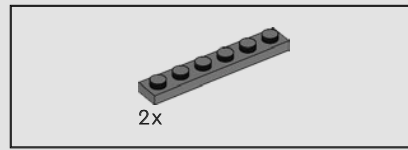
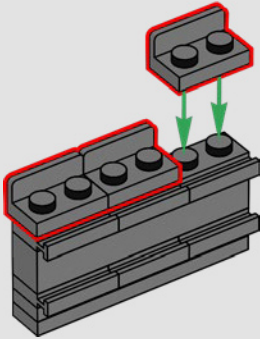




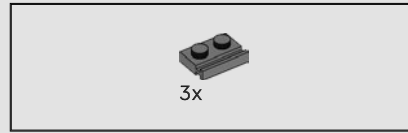
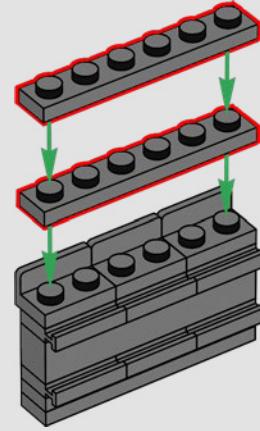
67



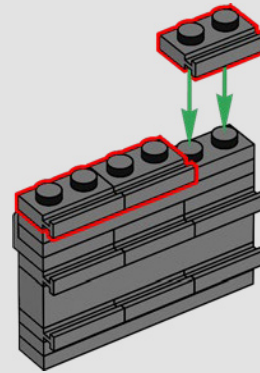
68

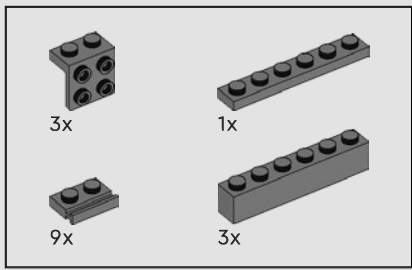


69

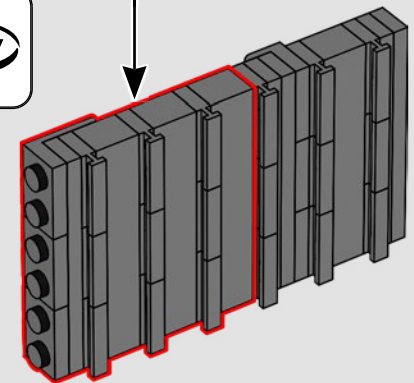
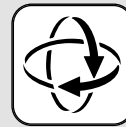
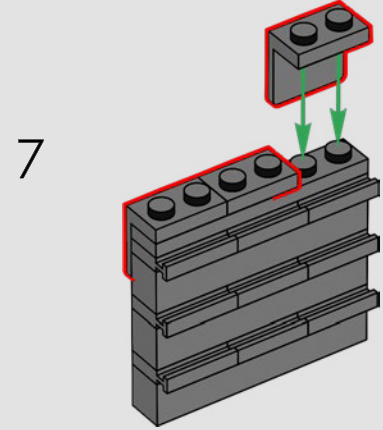
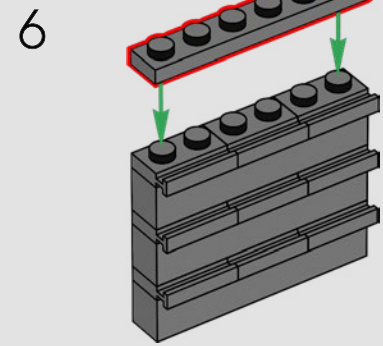
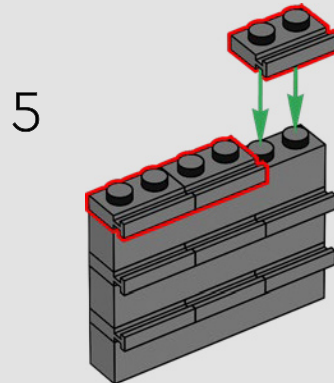
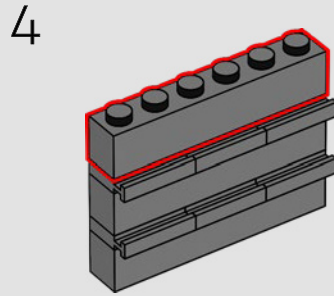
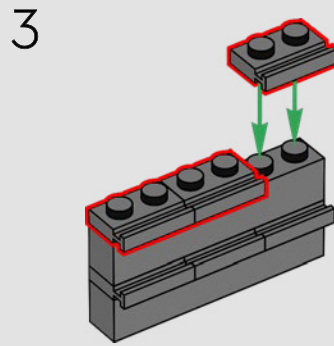
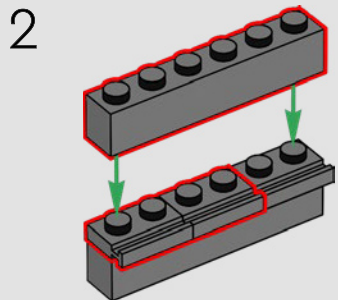
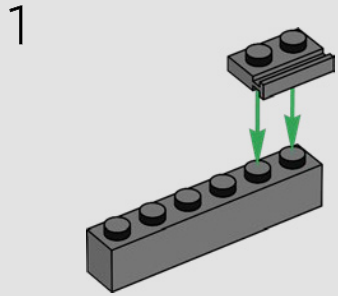


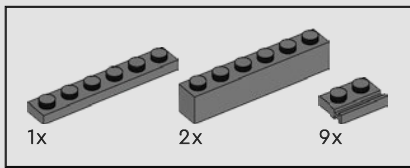
70



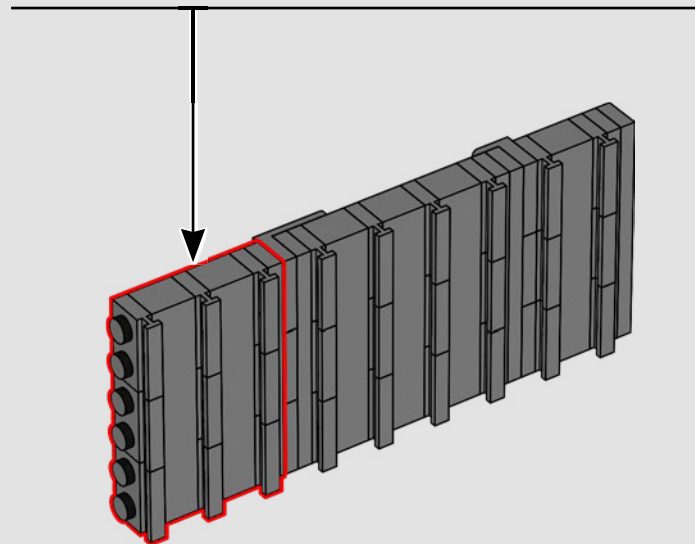
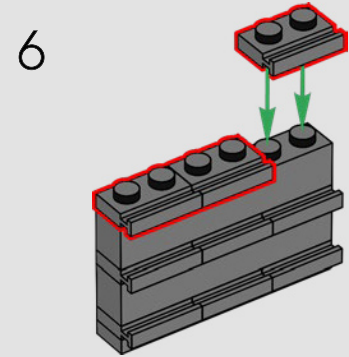
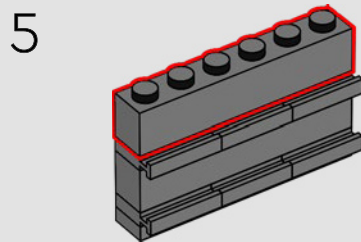
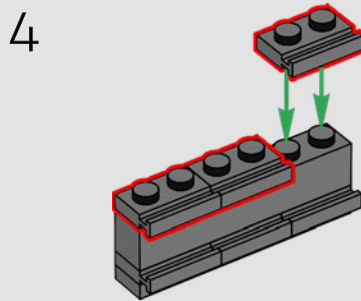
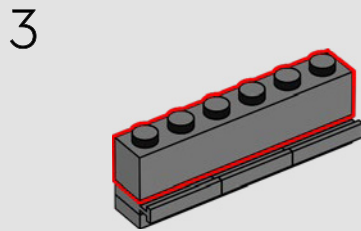
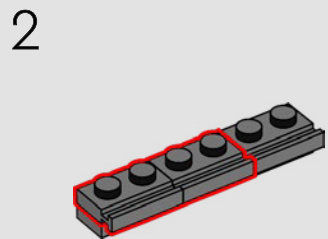
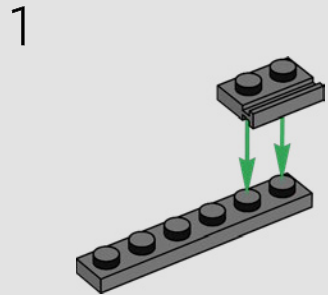


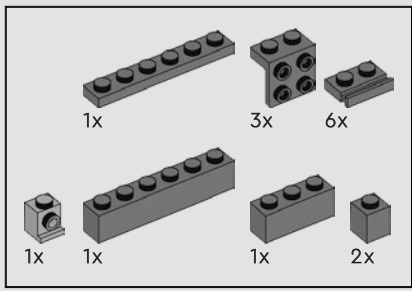
71



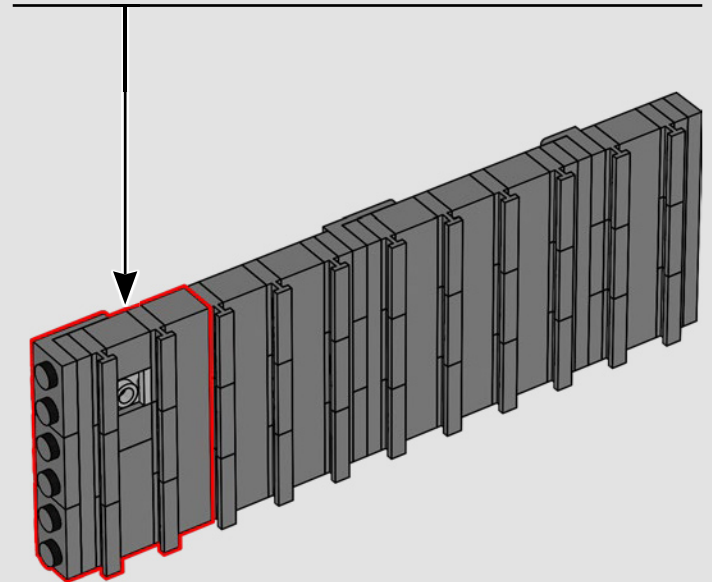
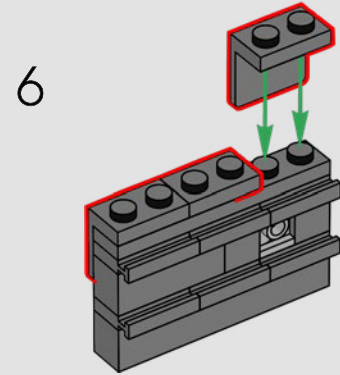
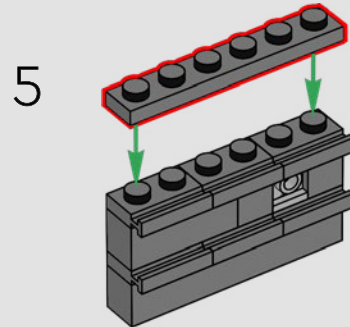
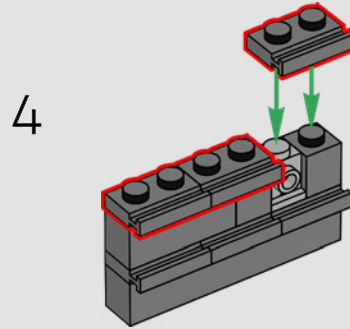
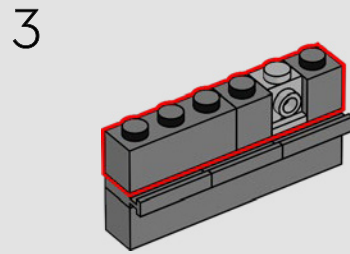
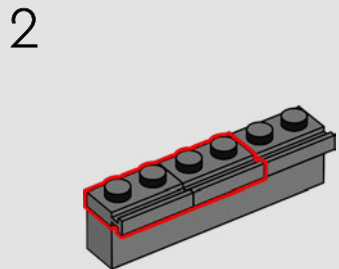
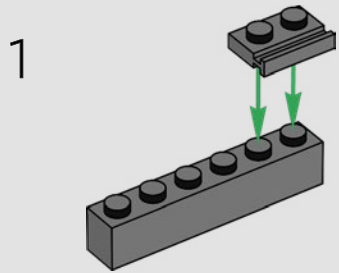


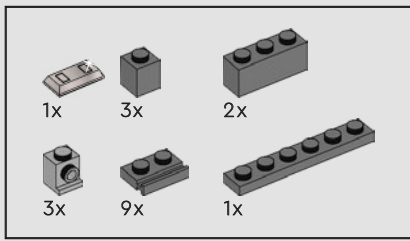
72



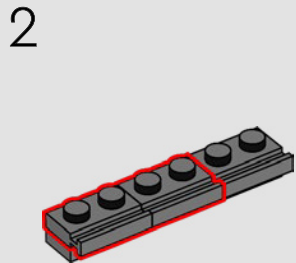
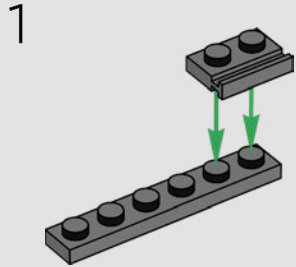


73

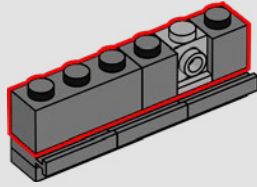




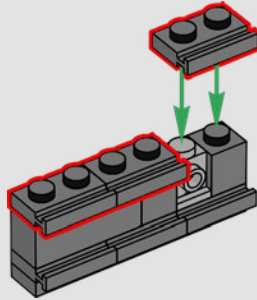
74



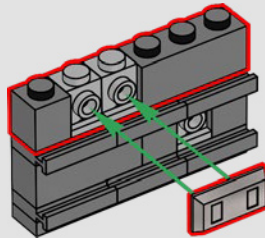
3



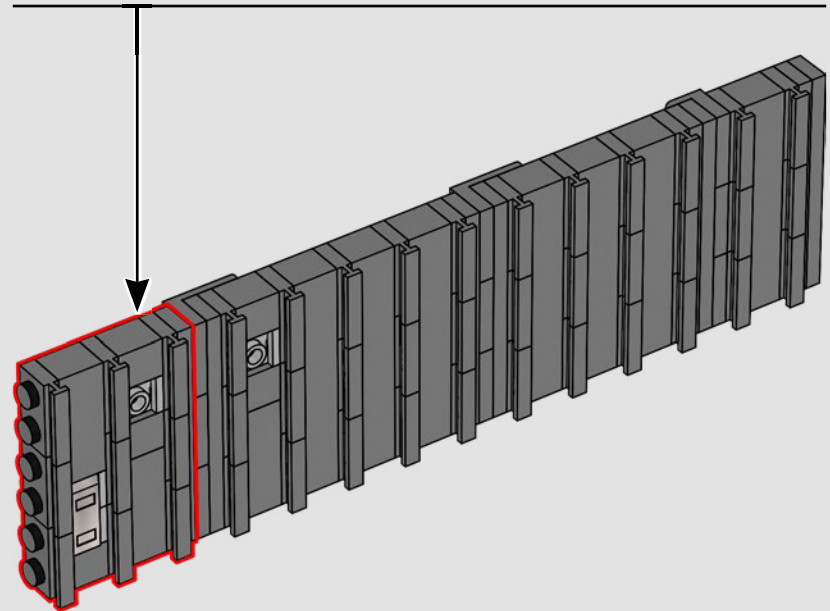
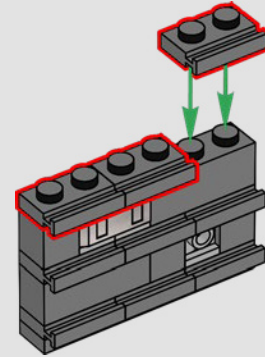
4

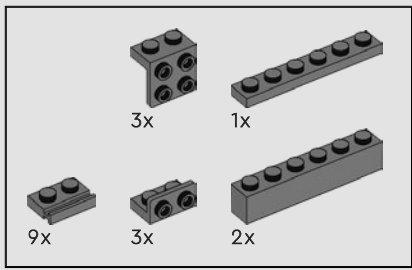


5



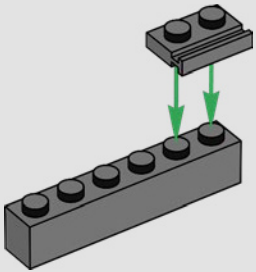
6



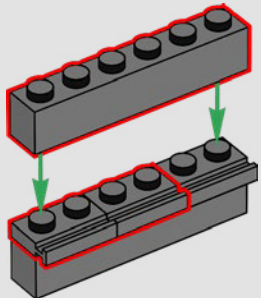


75

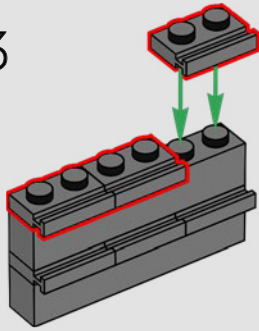
1



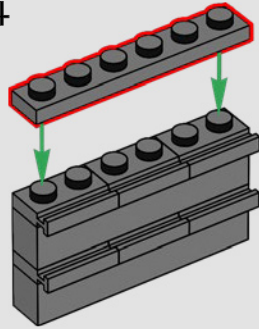
2



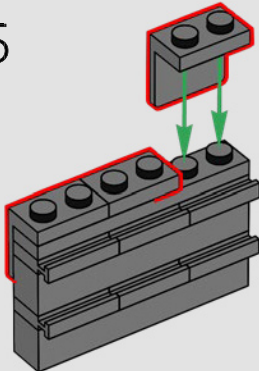
3



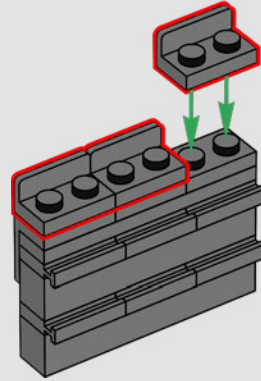
4



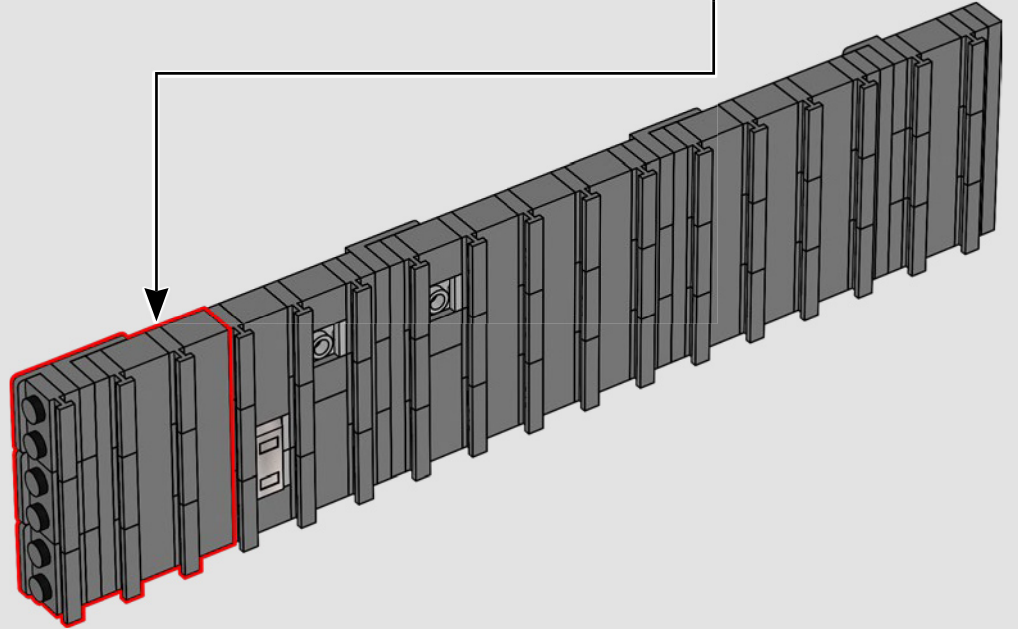
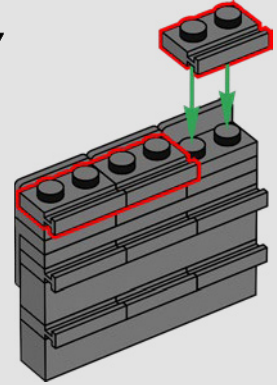
5

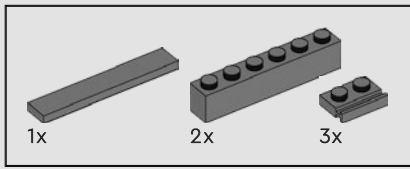


6

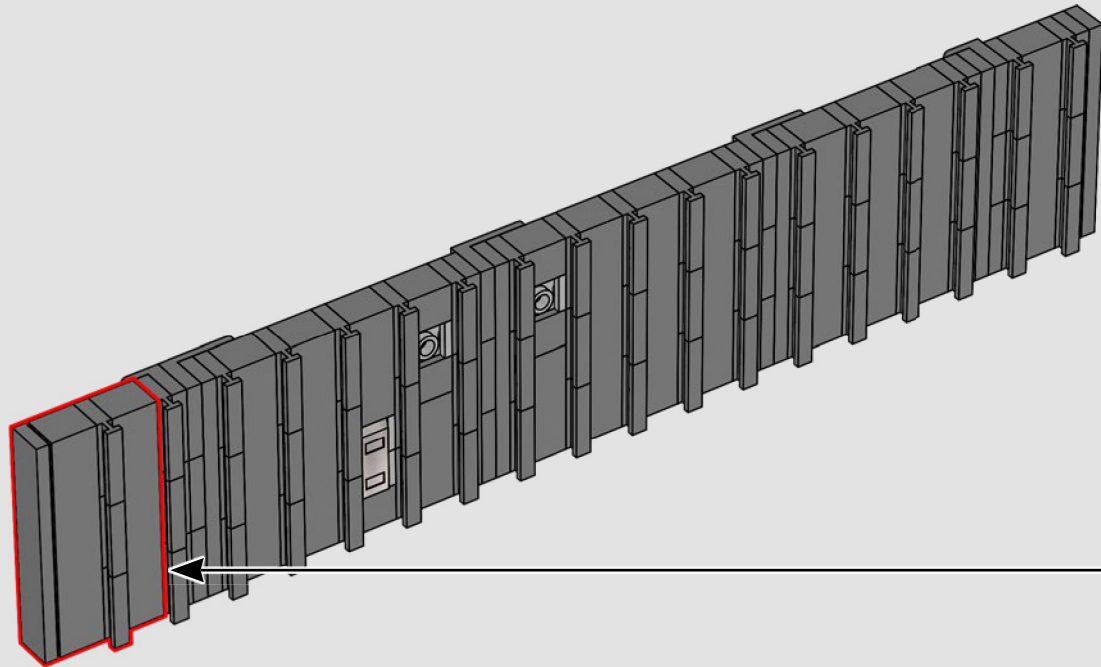
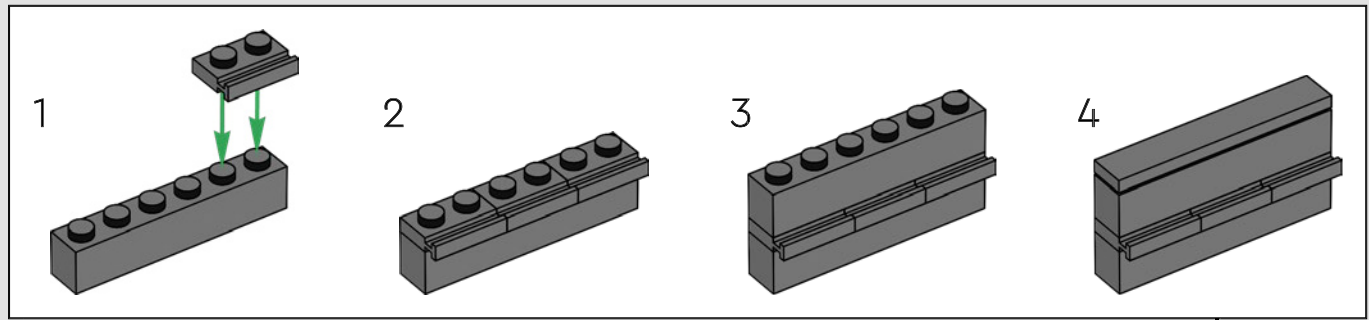


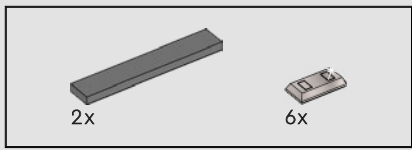
7



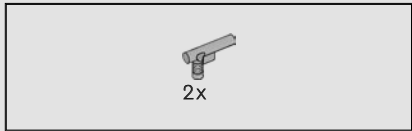
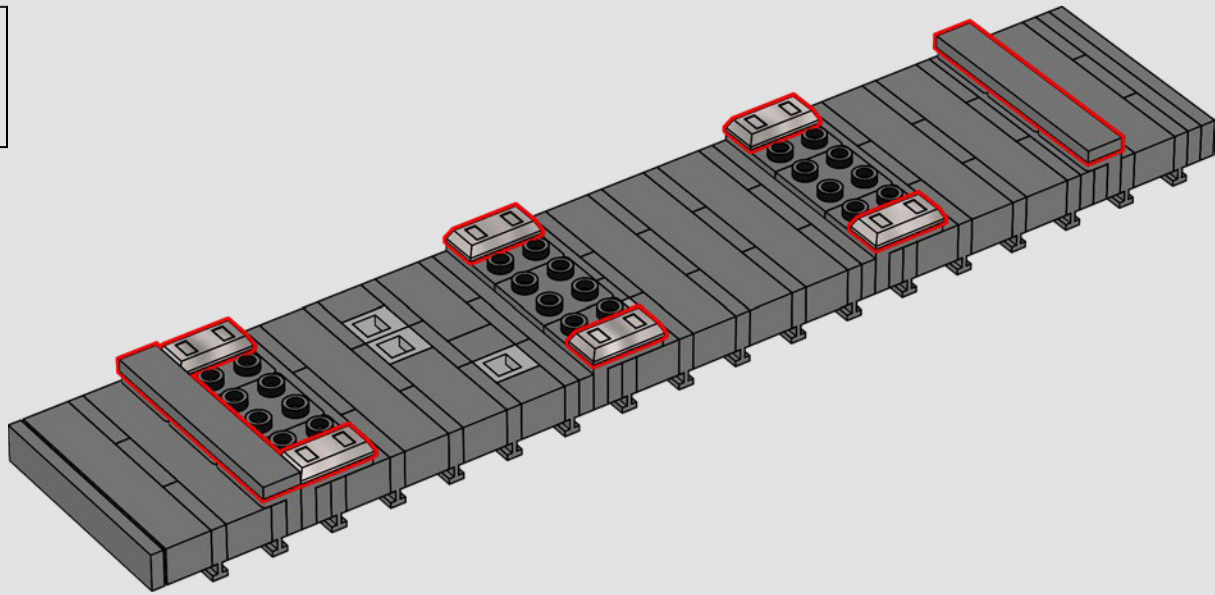


76

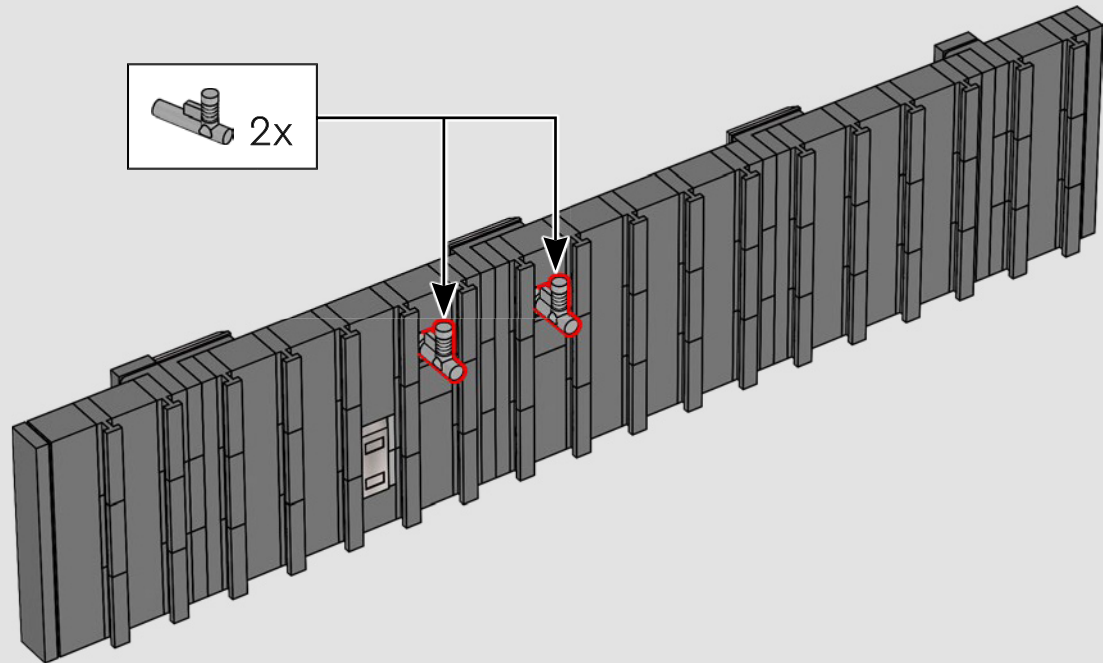
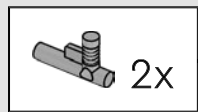




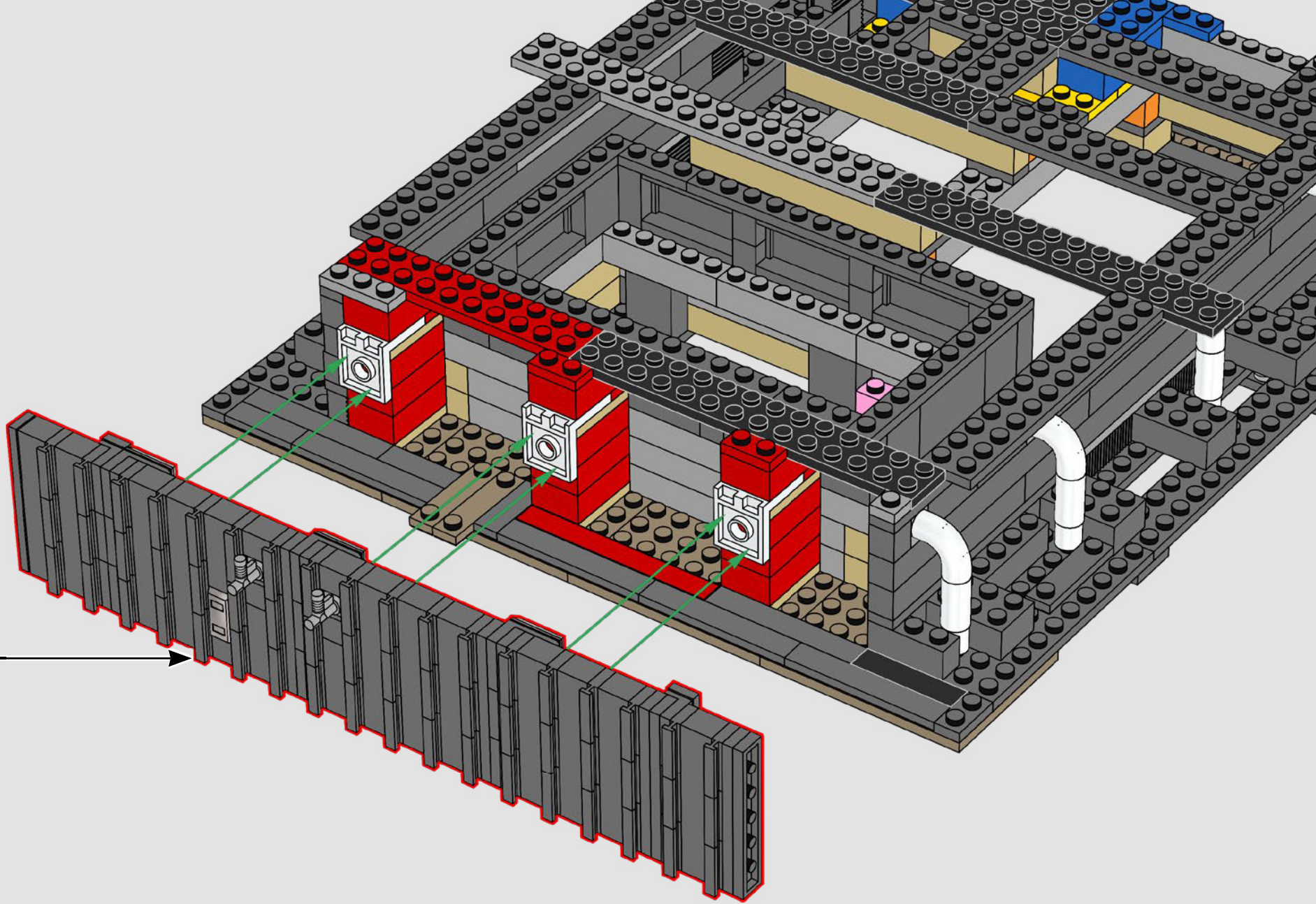
77

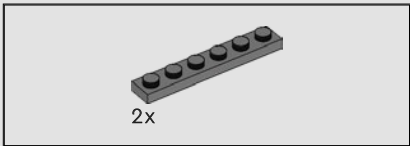
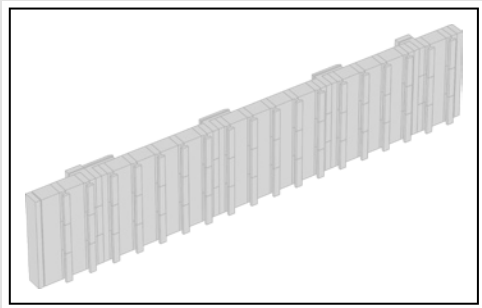


78

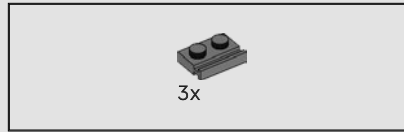
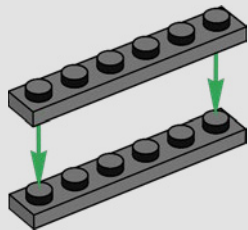


79

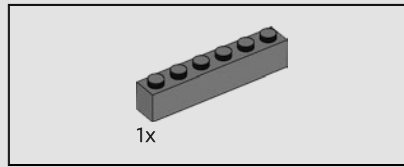
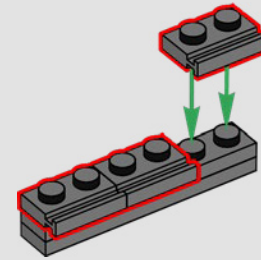




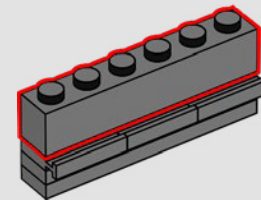
80

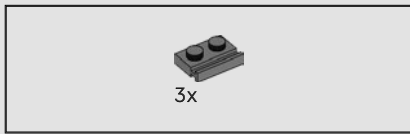


81

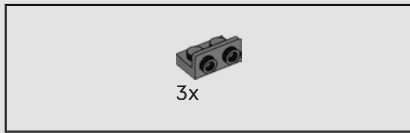
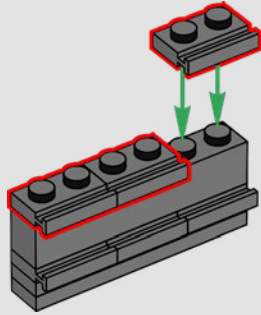


82

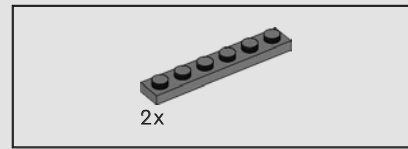
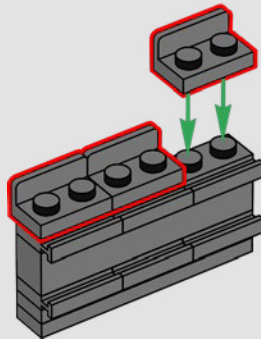




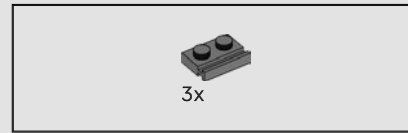
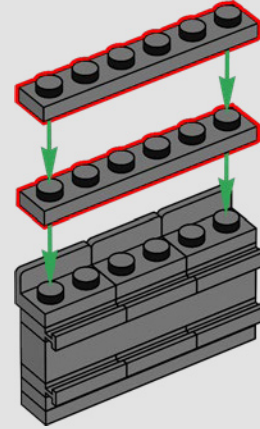
83



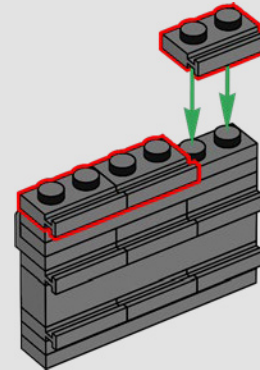
84

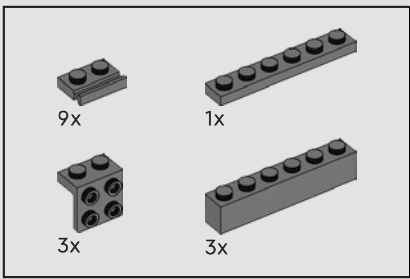


85

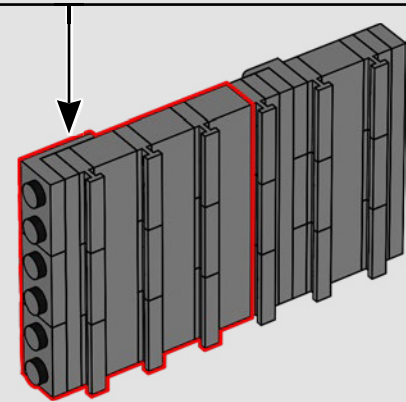
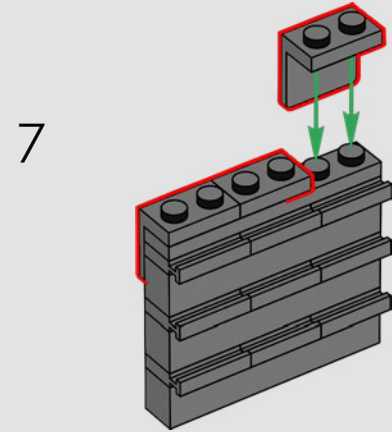
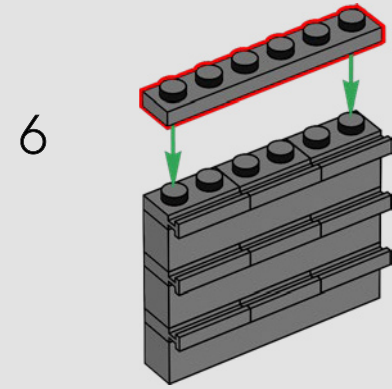
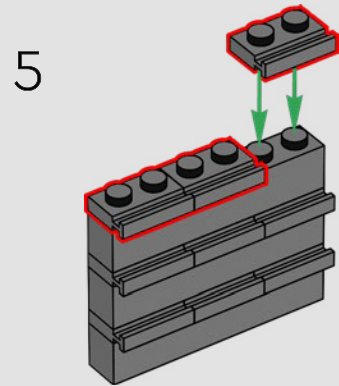
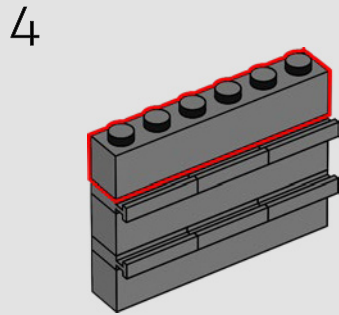
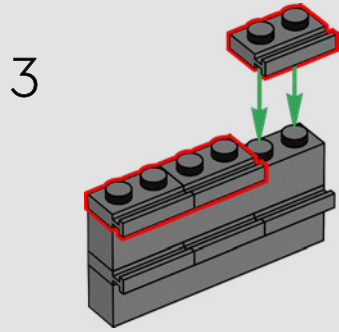
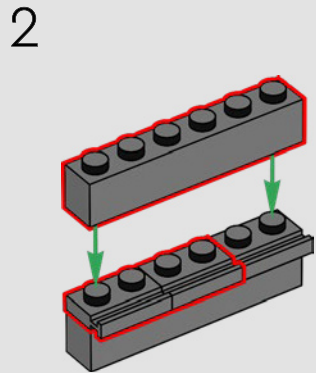
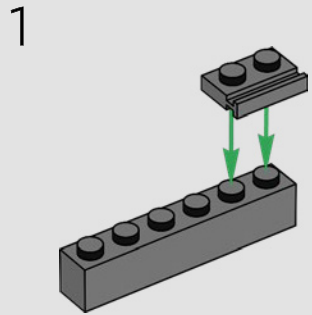


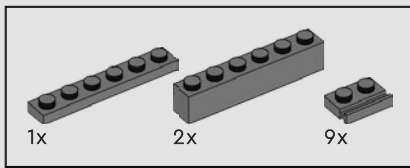
86



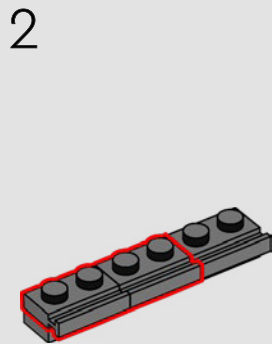
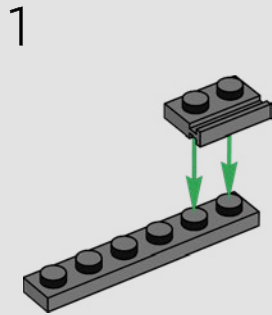


87

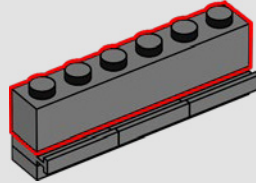




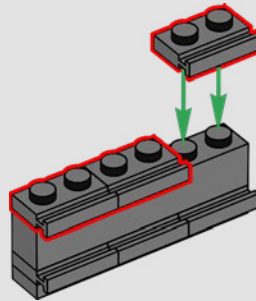
88



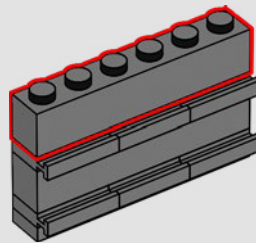
3



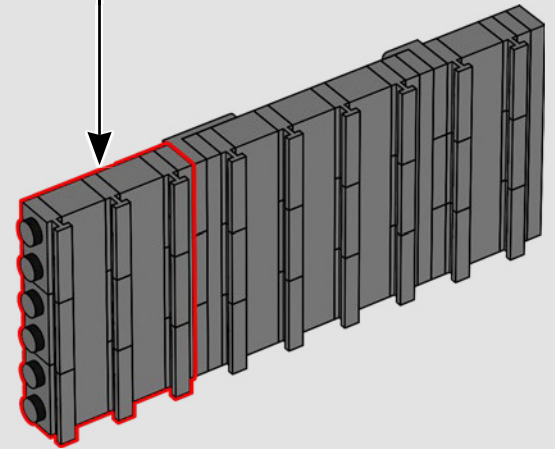
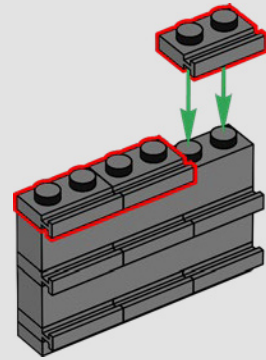
4

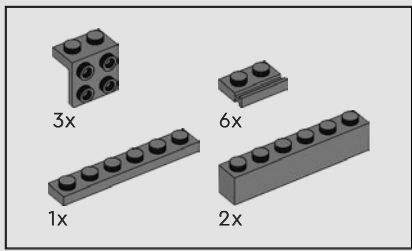


5

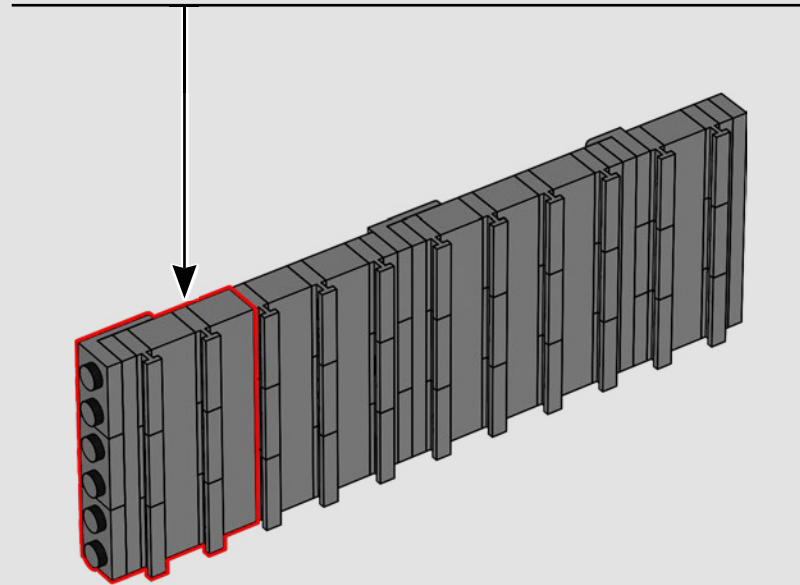
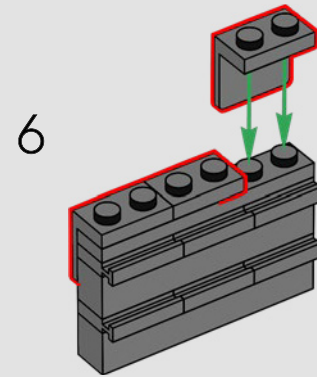
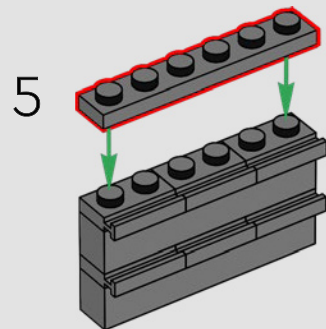
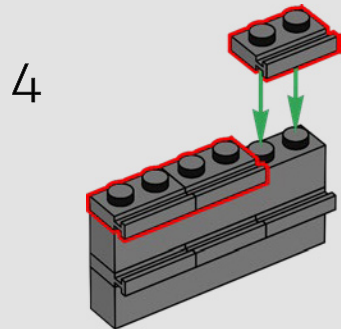
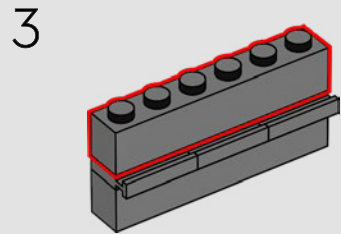
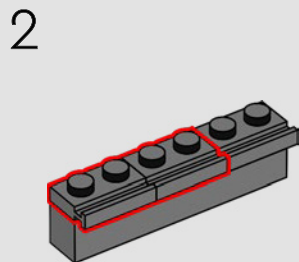
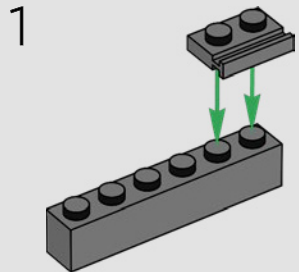


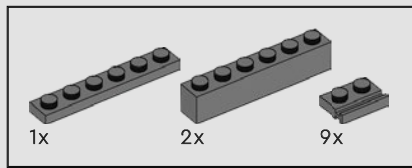
6





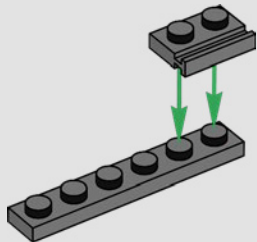
89



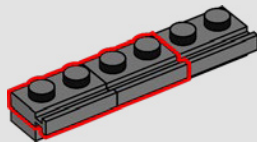


90

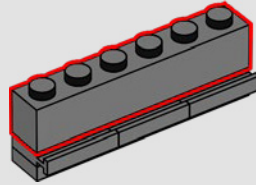
1



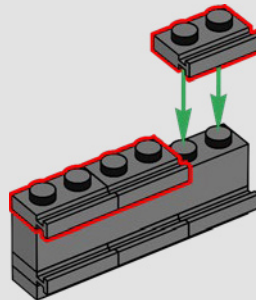
2



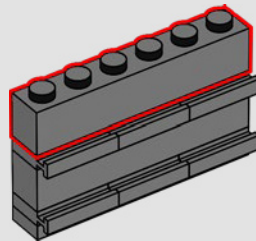
3



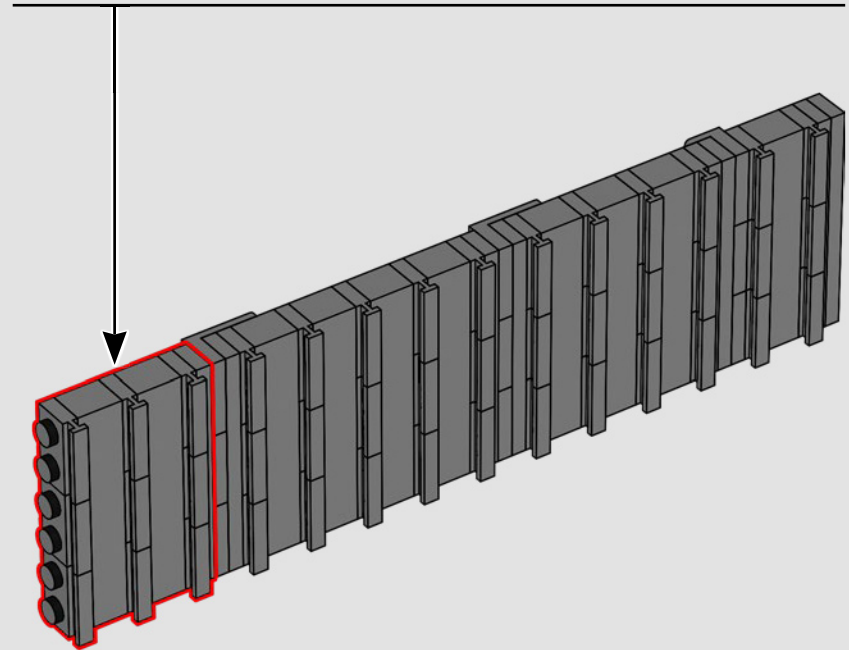
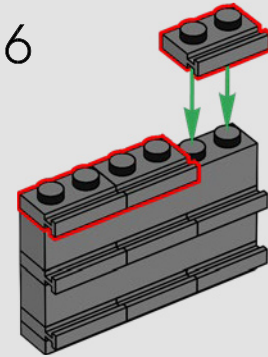
4

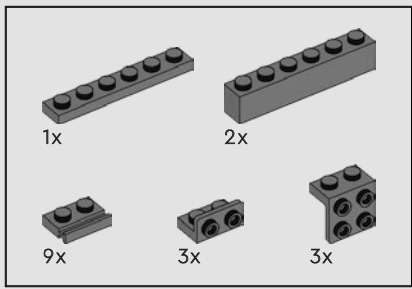


5



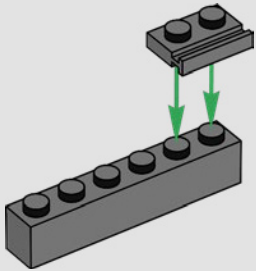
6



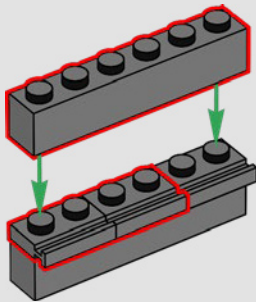


91

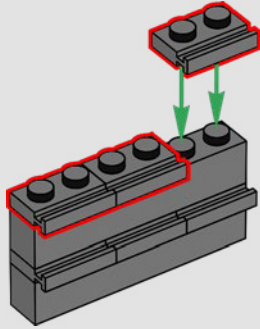
1



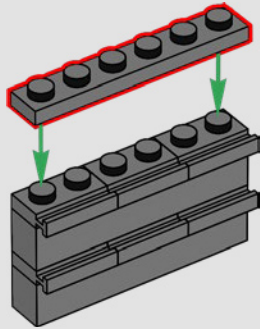
2



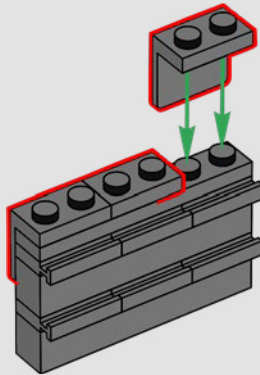
3



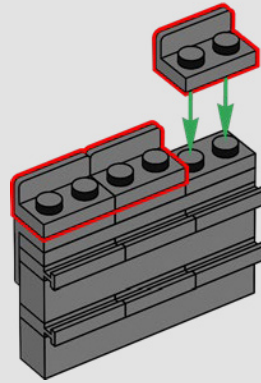
4



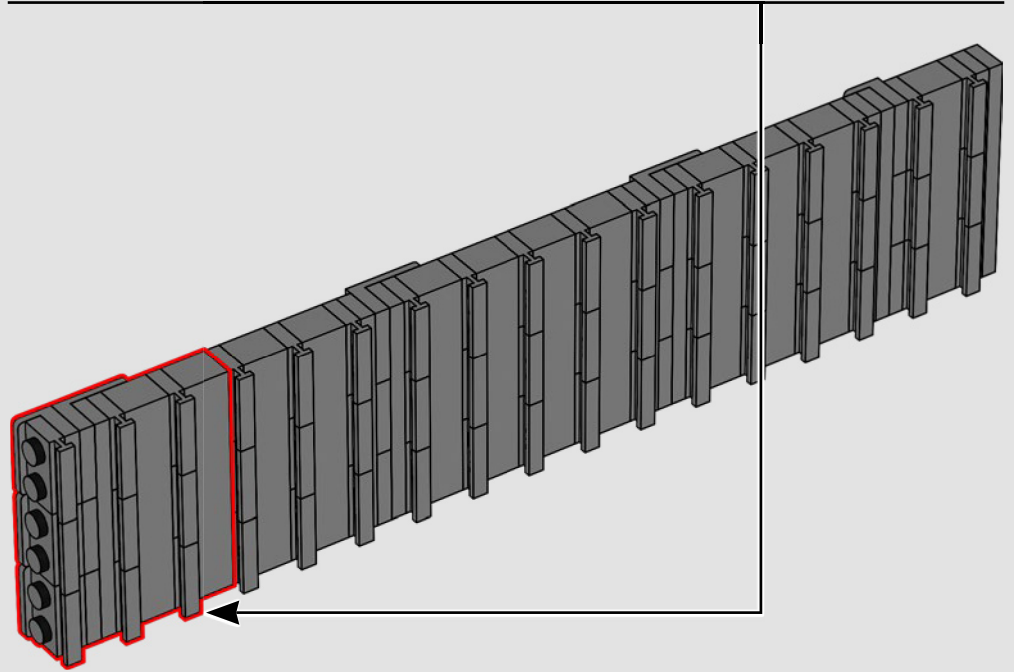
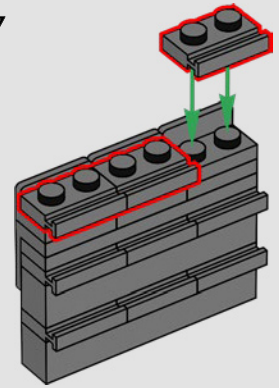
5

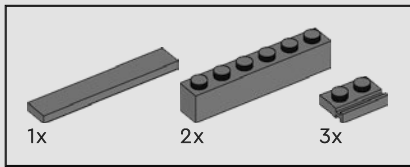


6

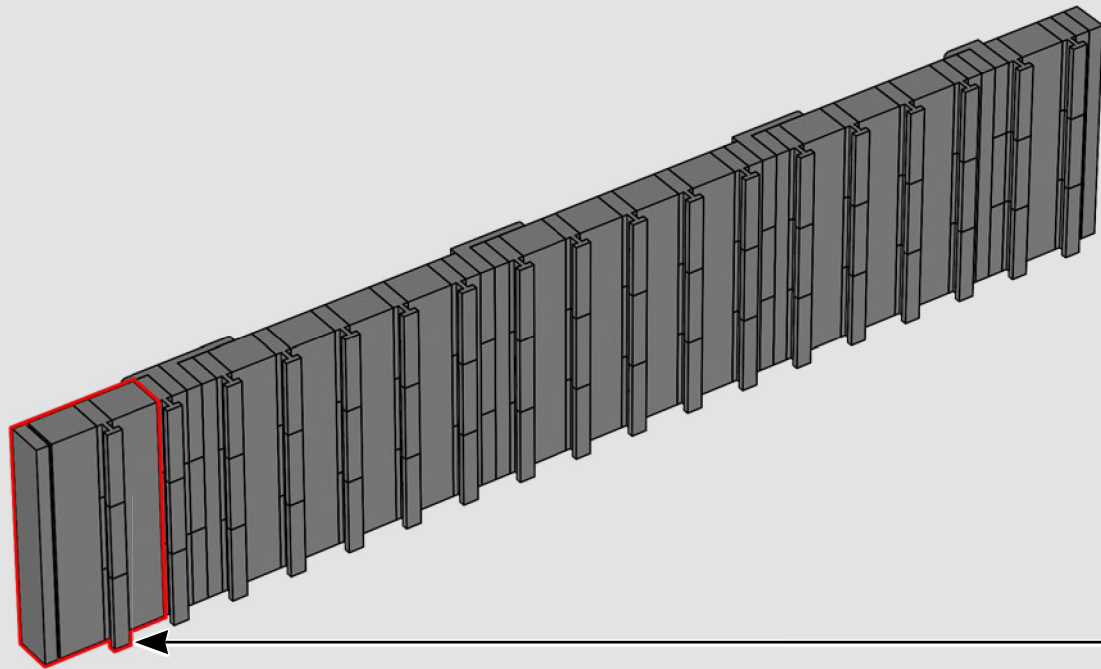
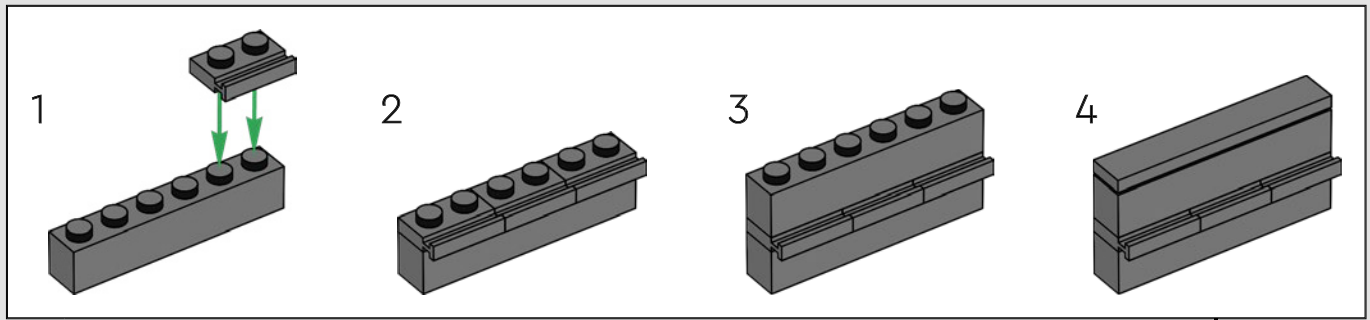


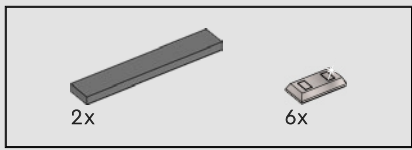
7



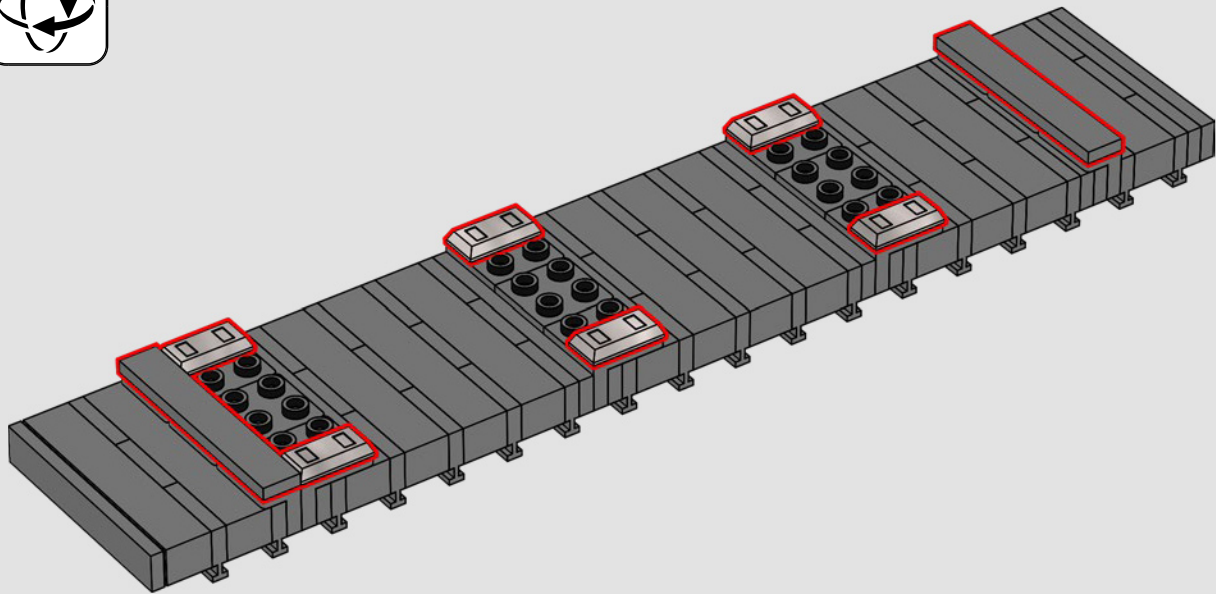


92

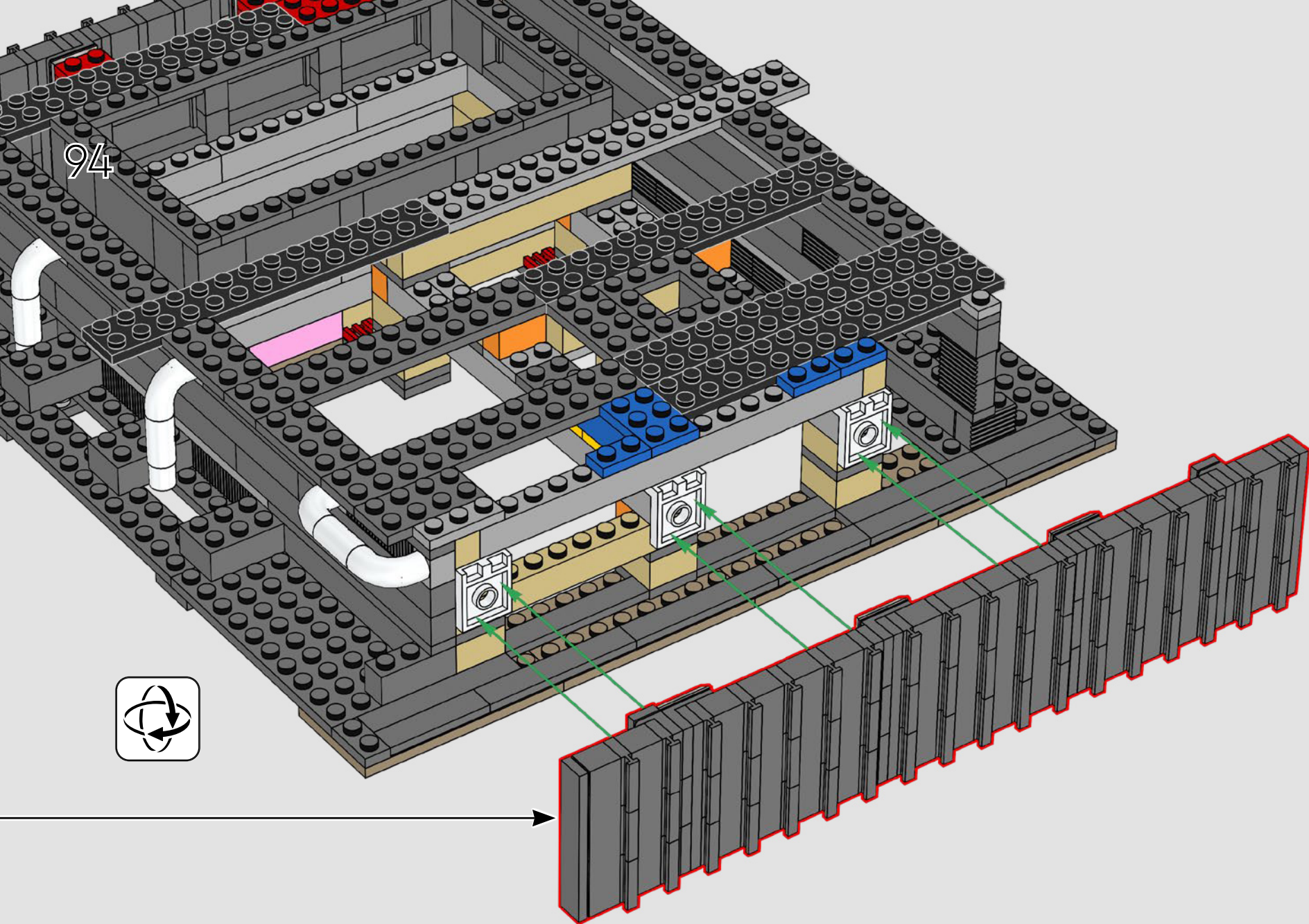


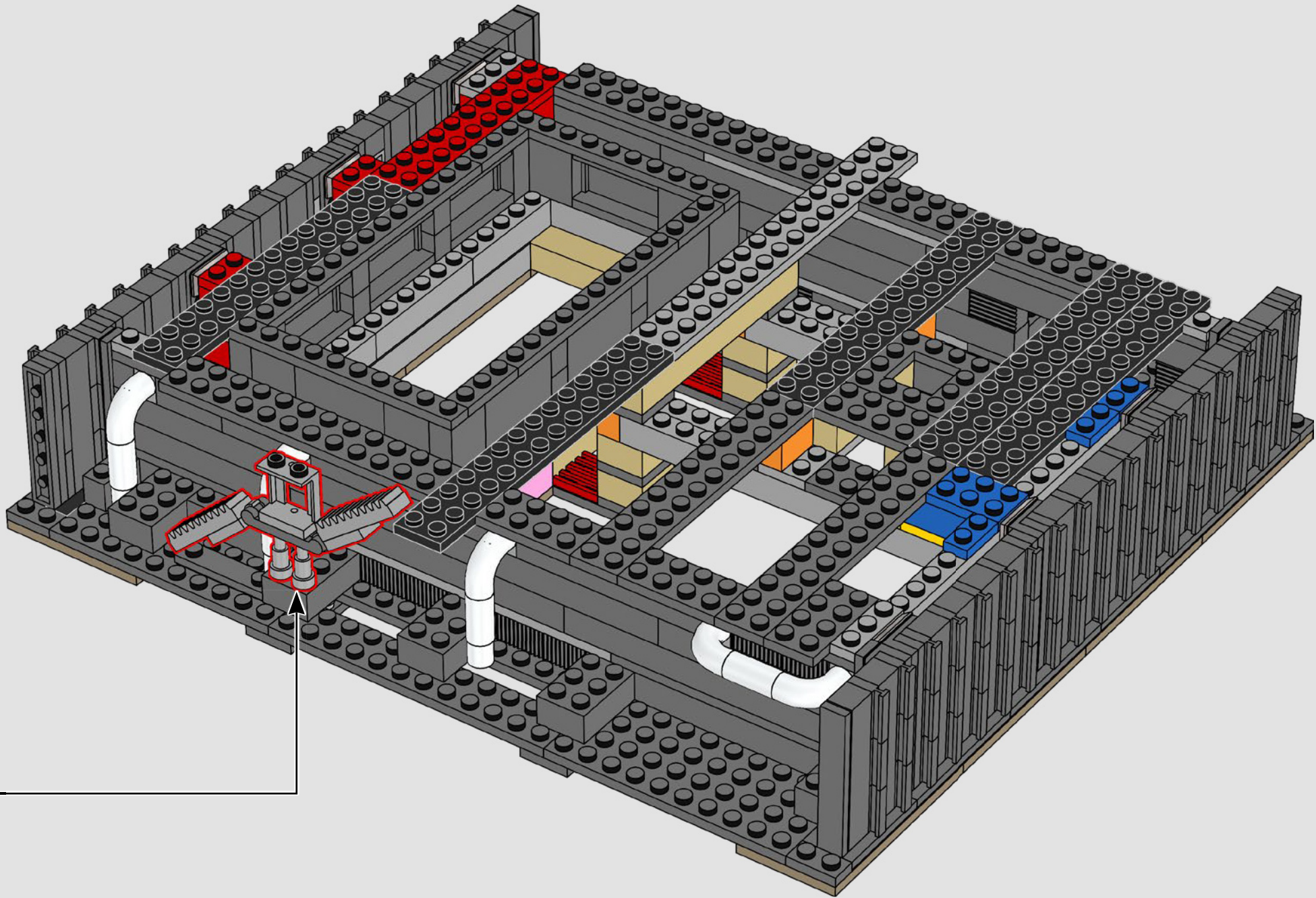


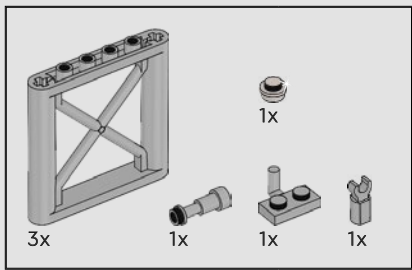
93



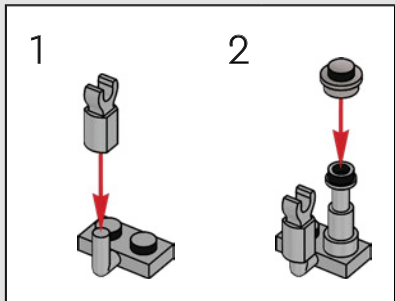
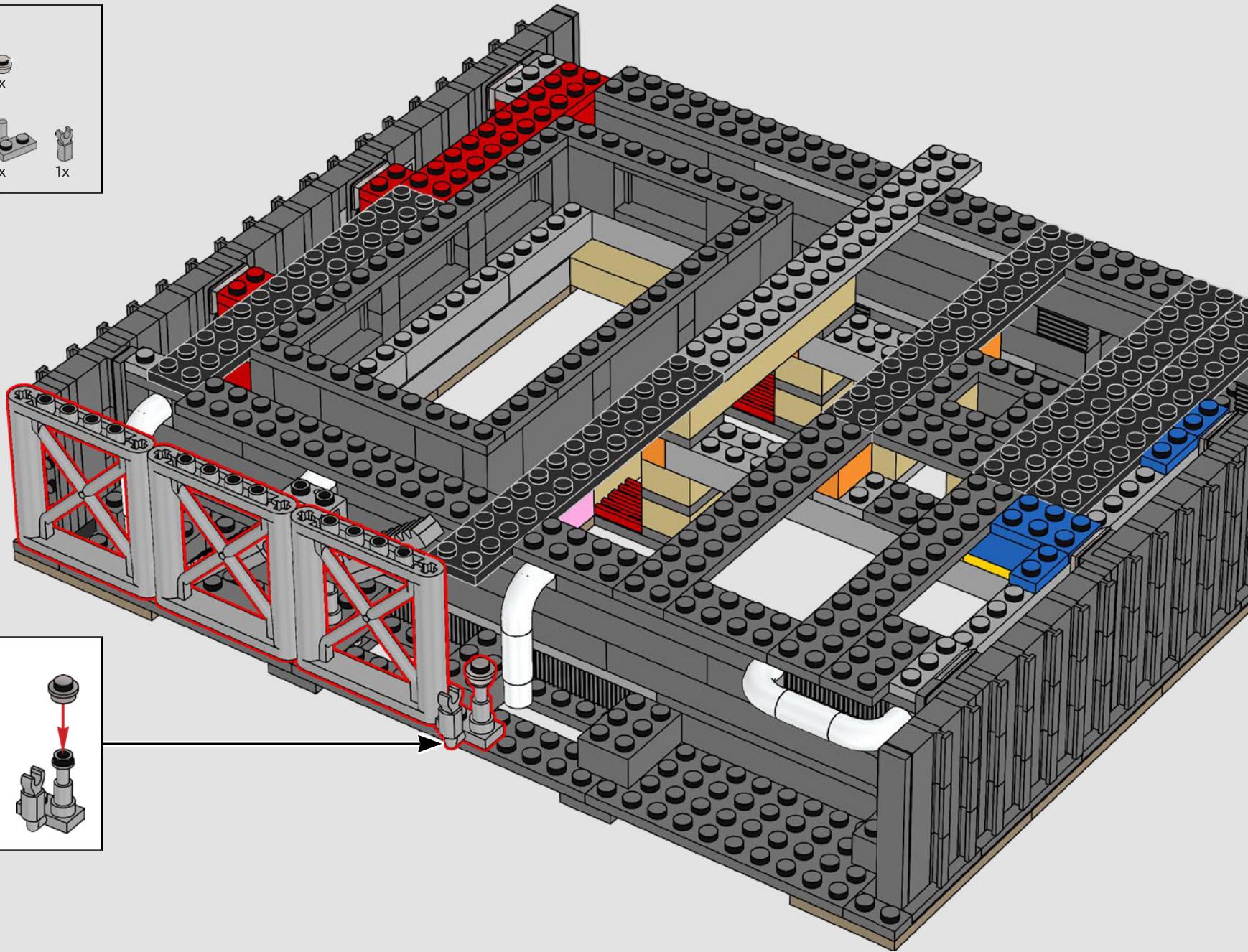
94

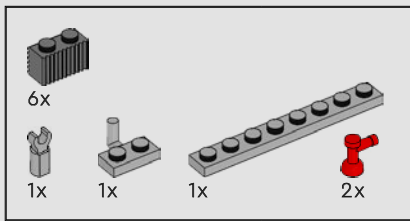




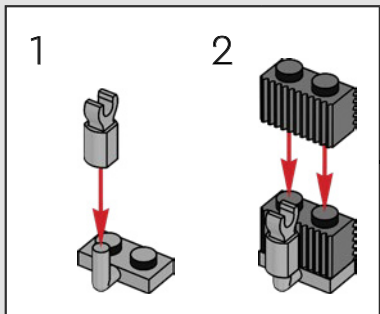
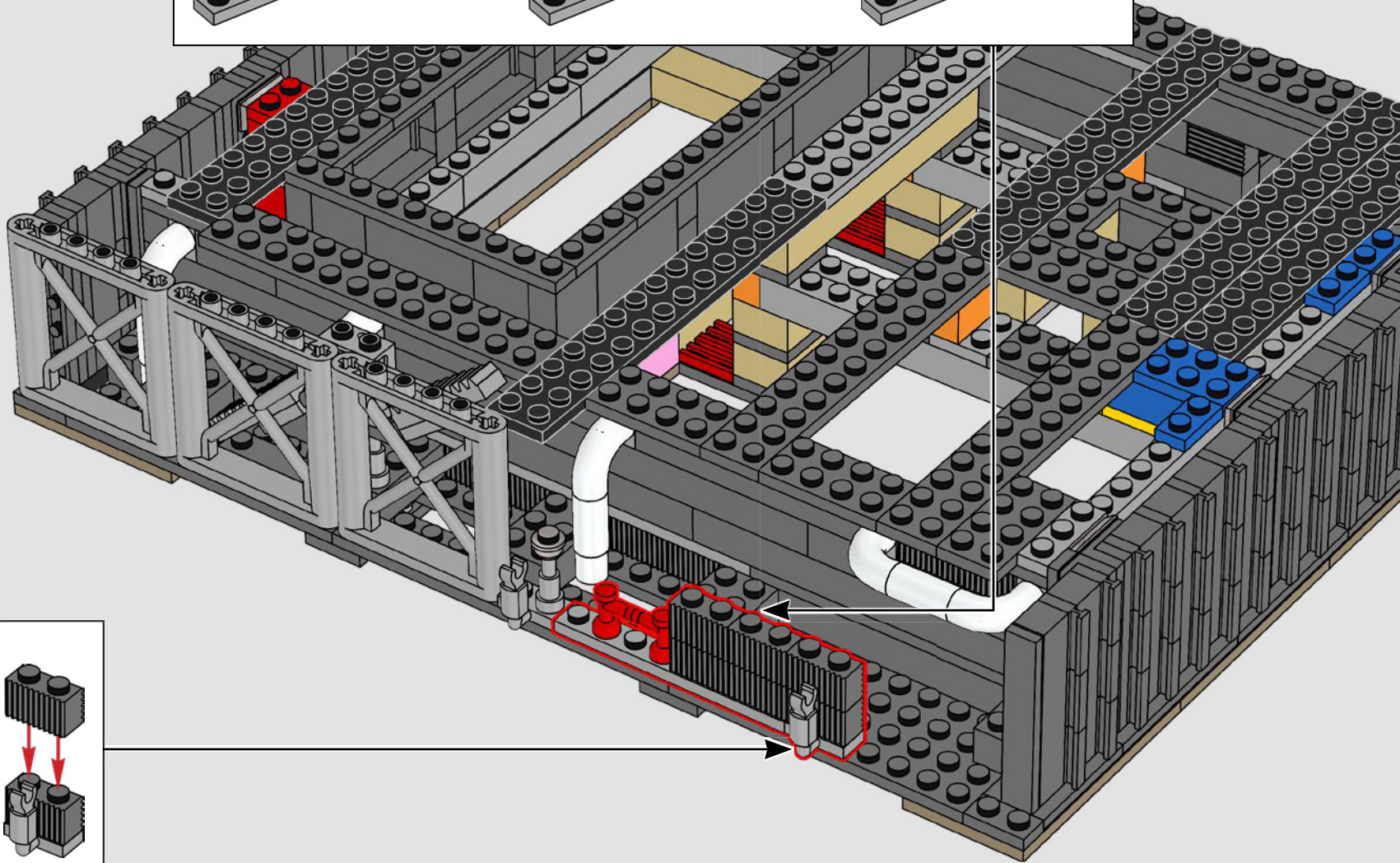
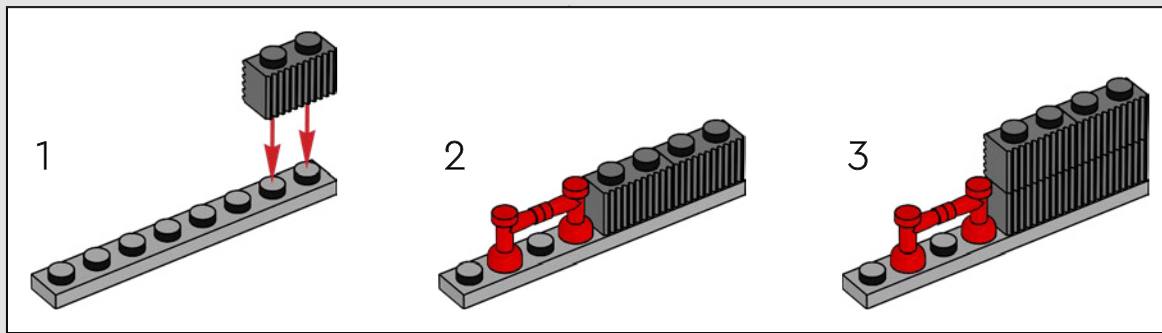


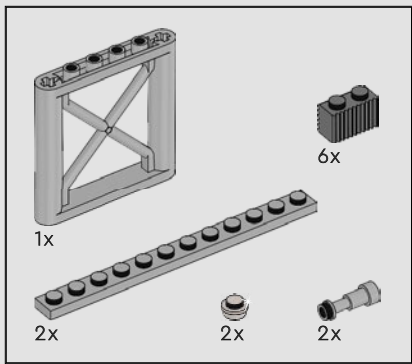
96





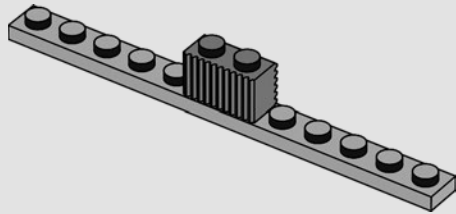
97



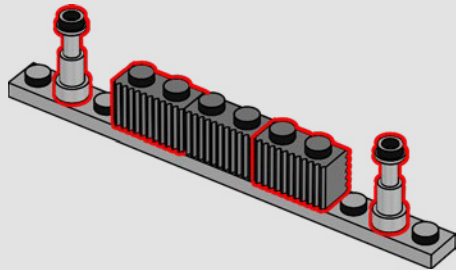


98

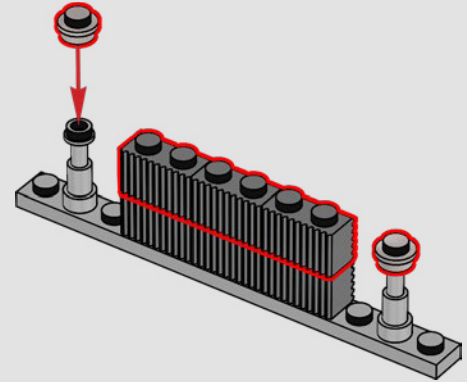
1



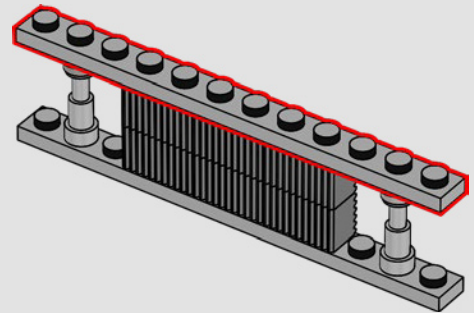
2

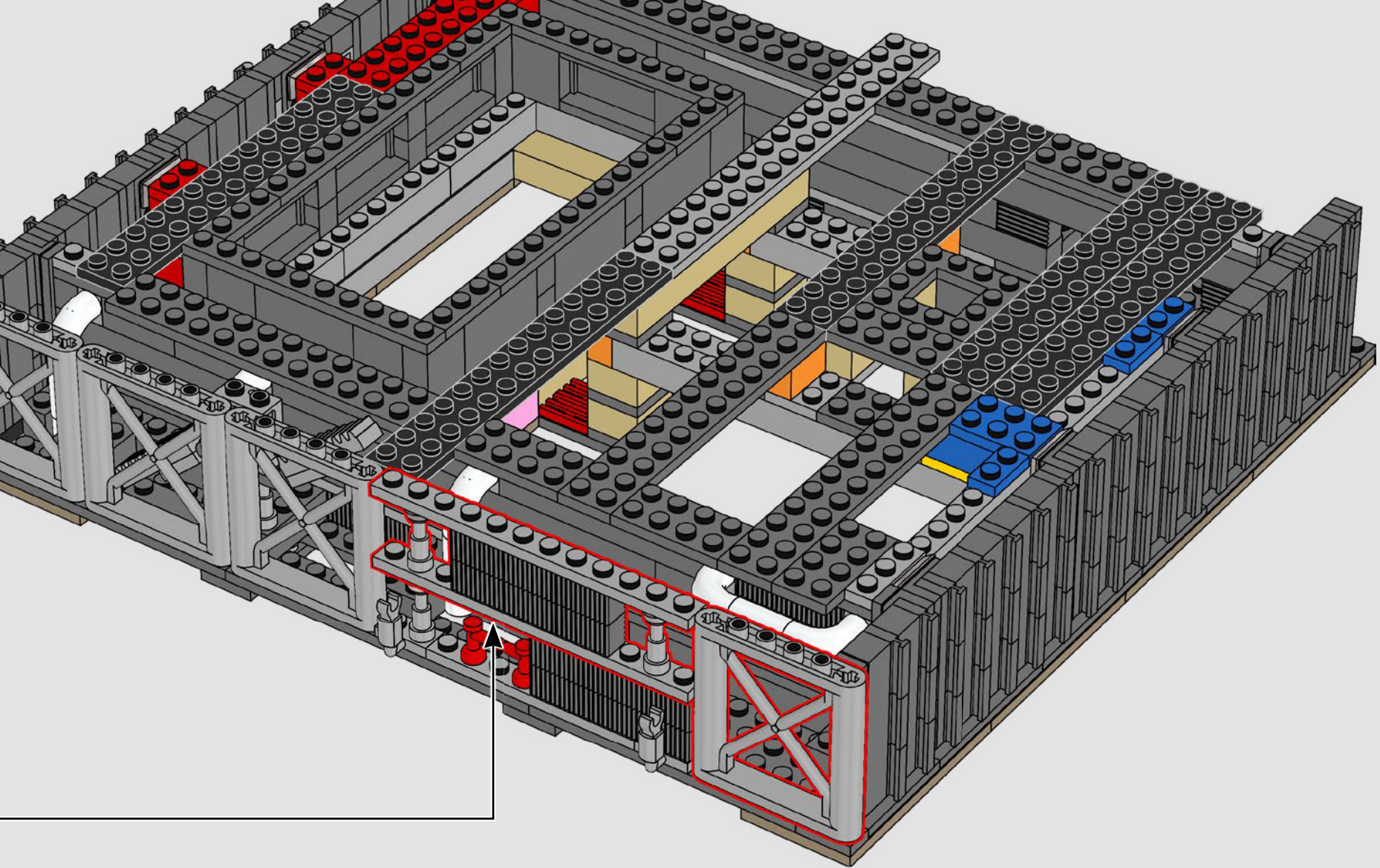


3

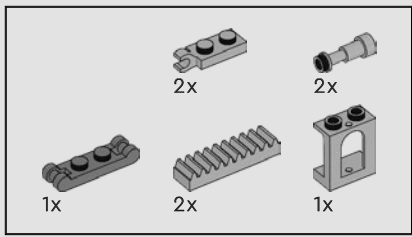


4

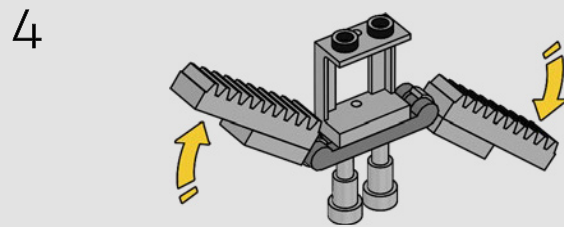
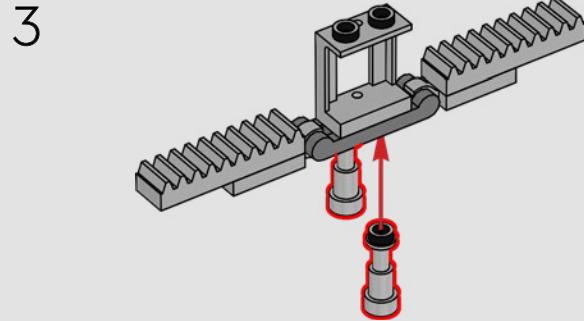
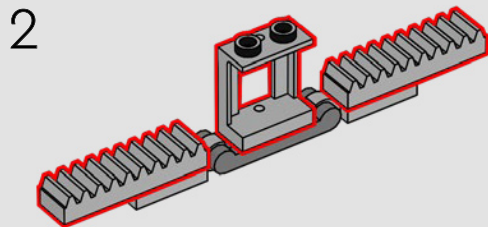
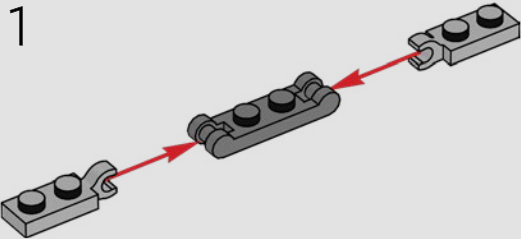


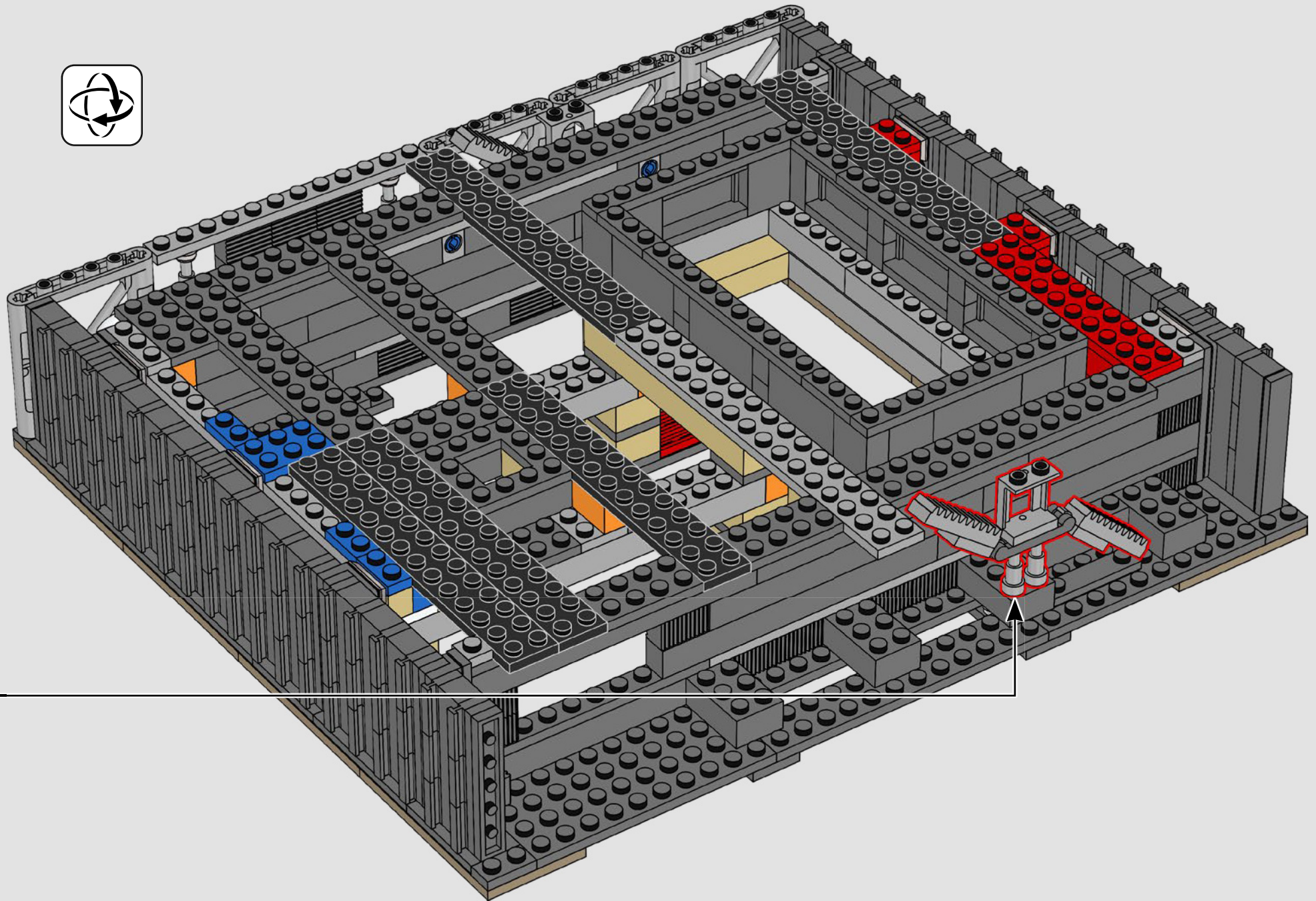


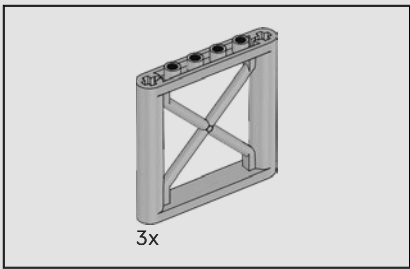
Unlike the real-life Space Shuttle launch pad, the LEGO® SLS platform has partly open sides showing interior details like pipes and staircases.



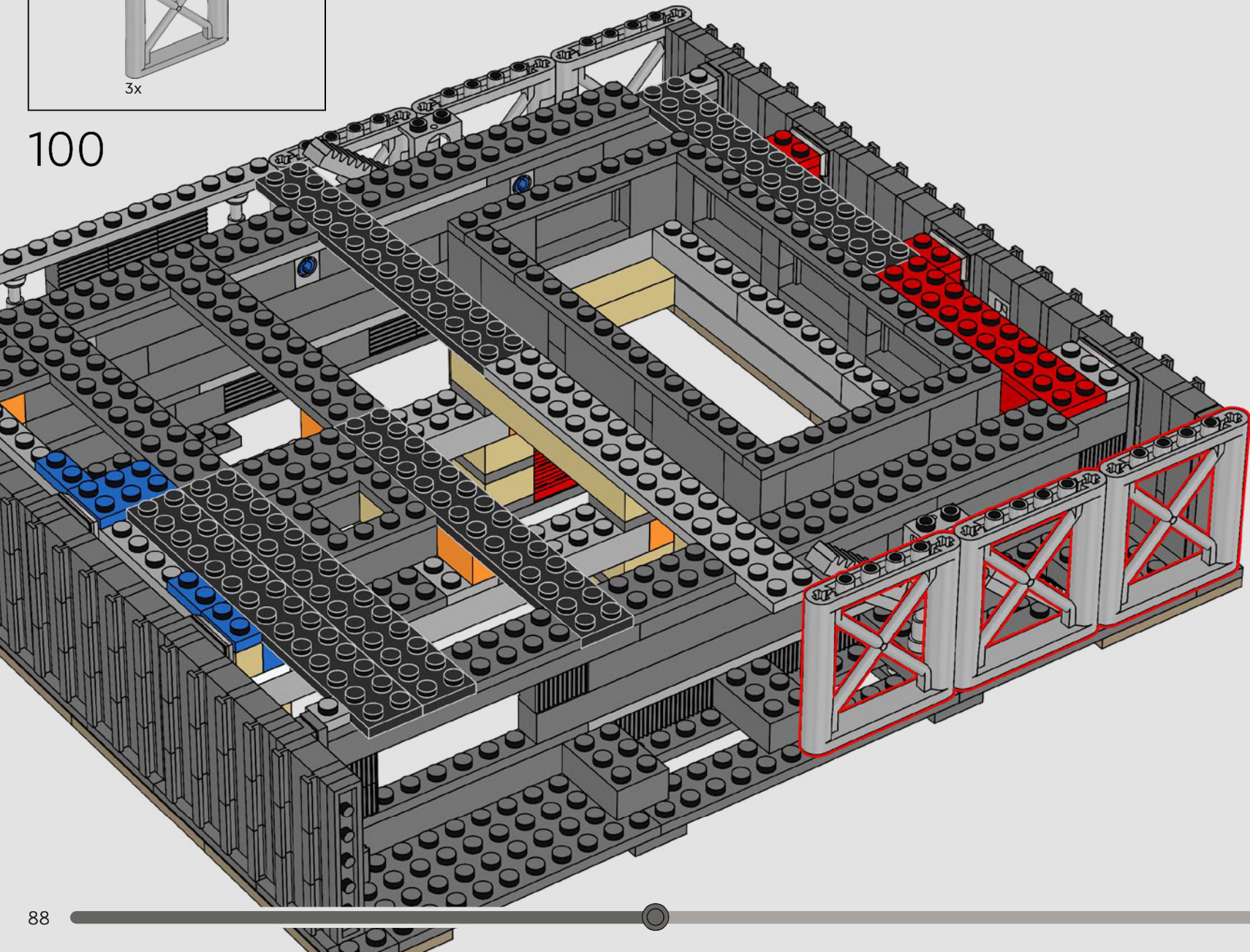
99

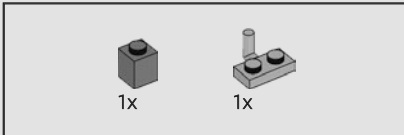
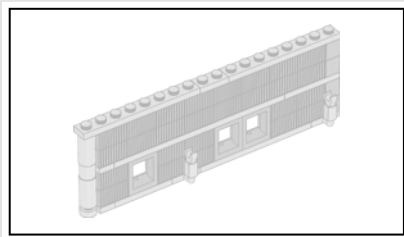




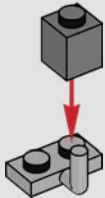


100

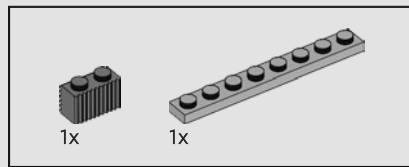
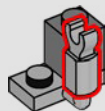




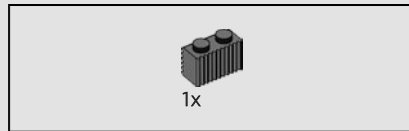
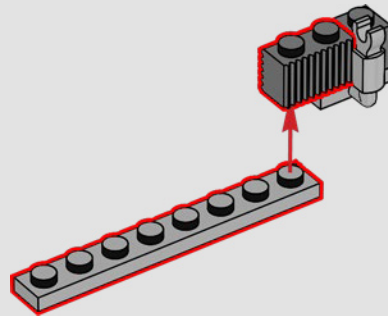
101



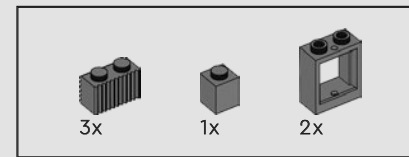
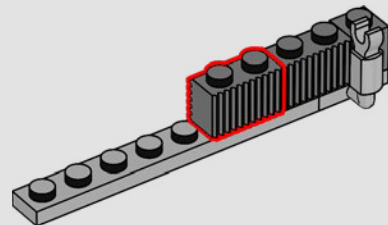
102



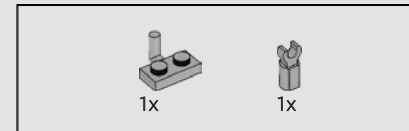
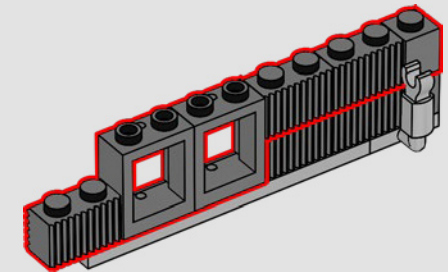
103



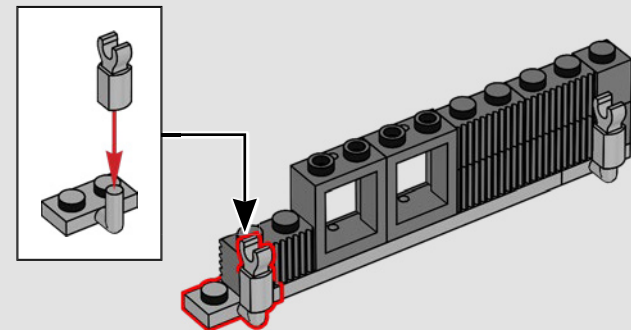
104

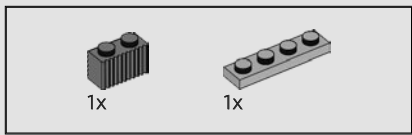


105

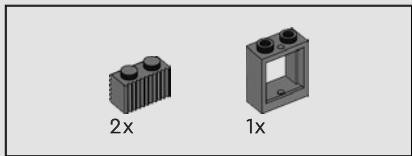
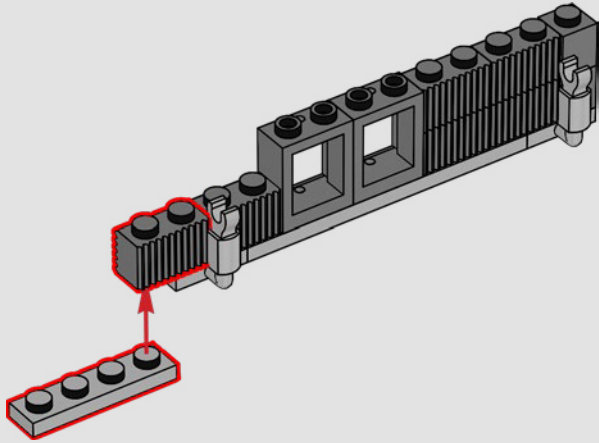


106

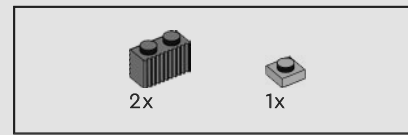
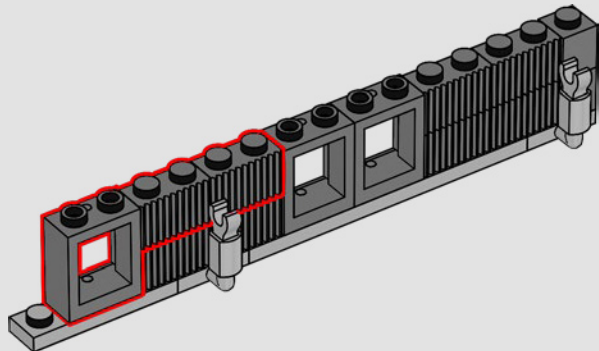




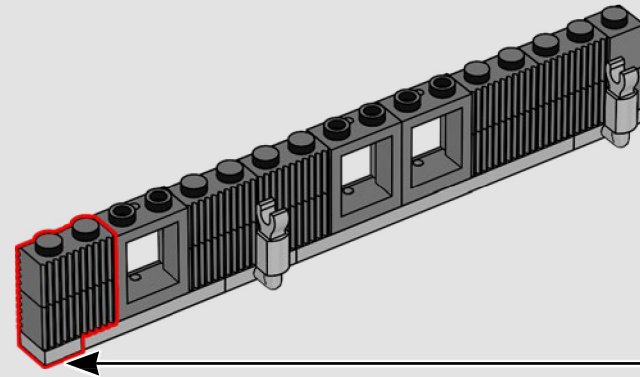
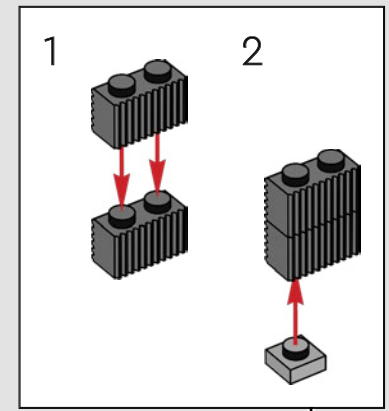
107

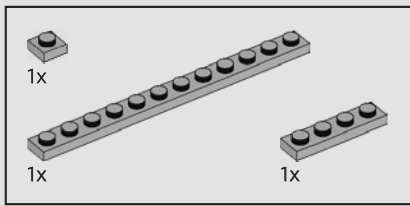


108

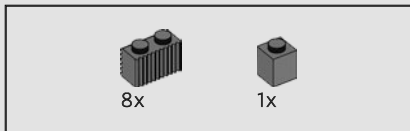
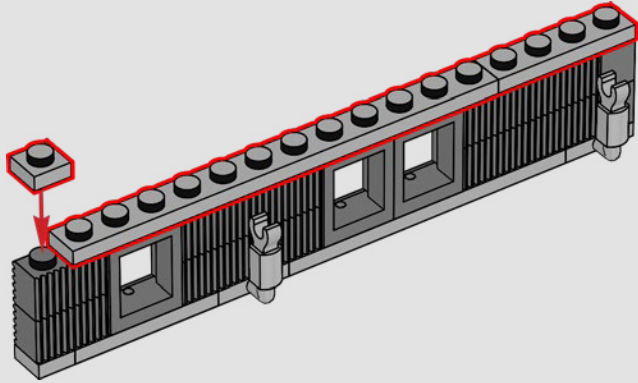


109

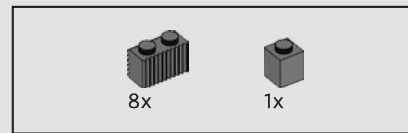
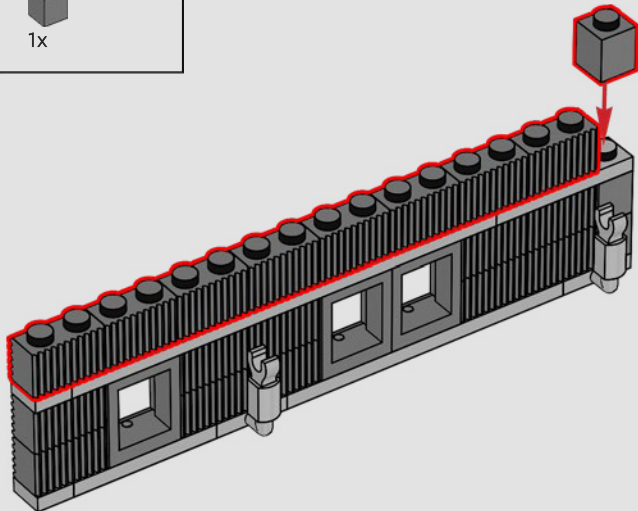




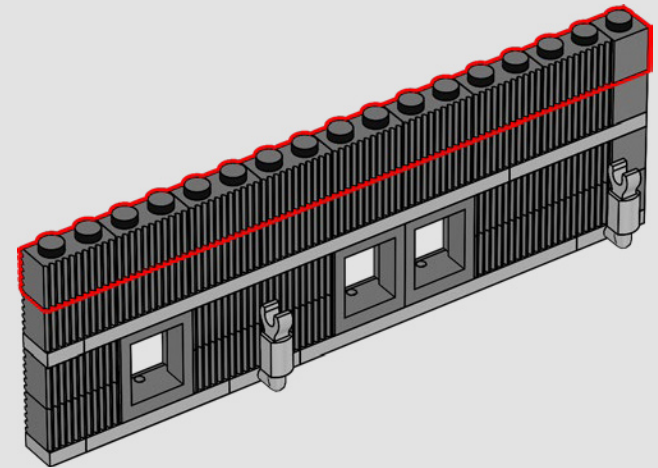
110

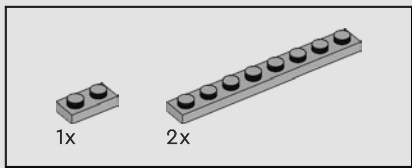


111

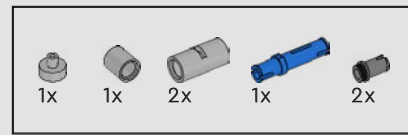
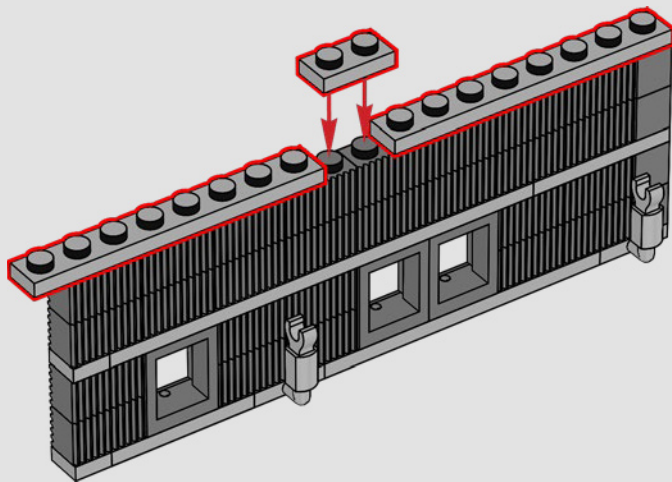


112

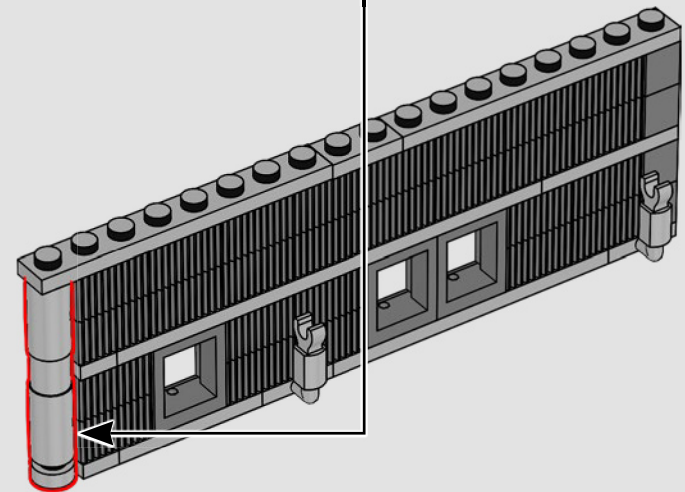
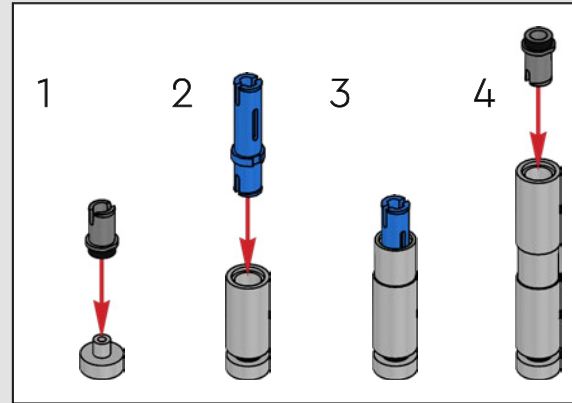




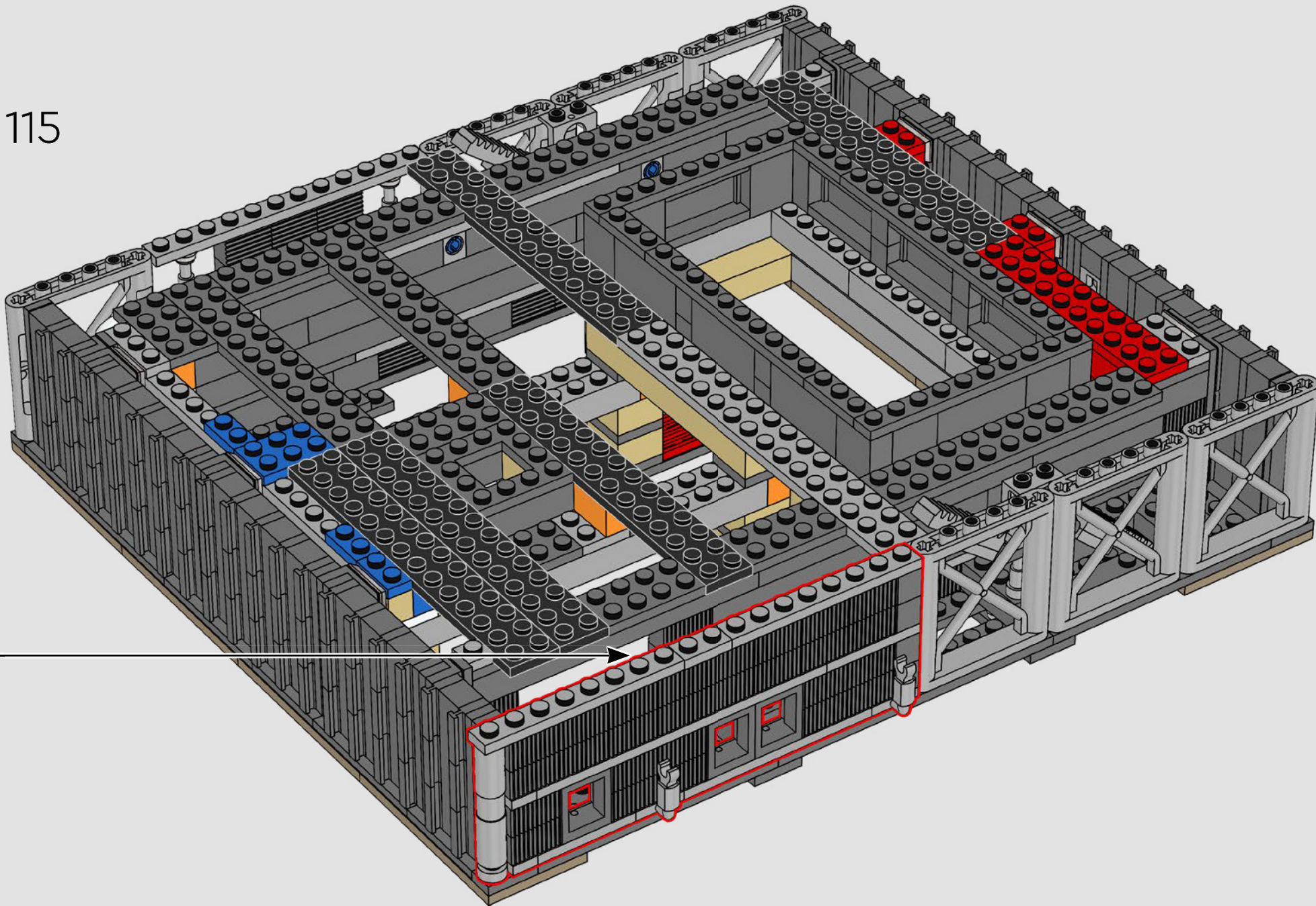
113

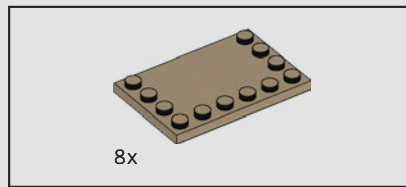


114

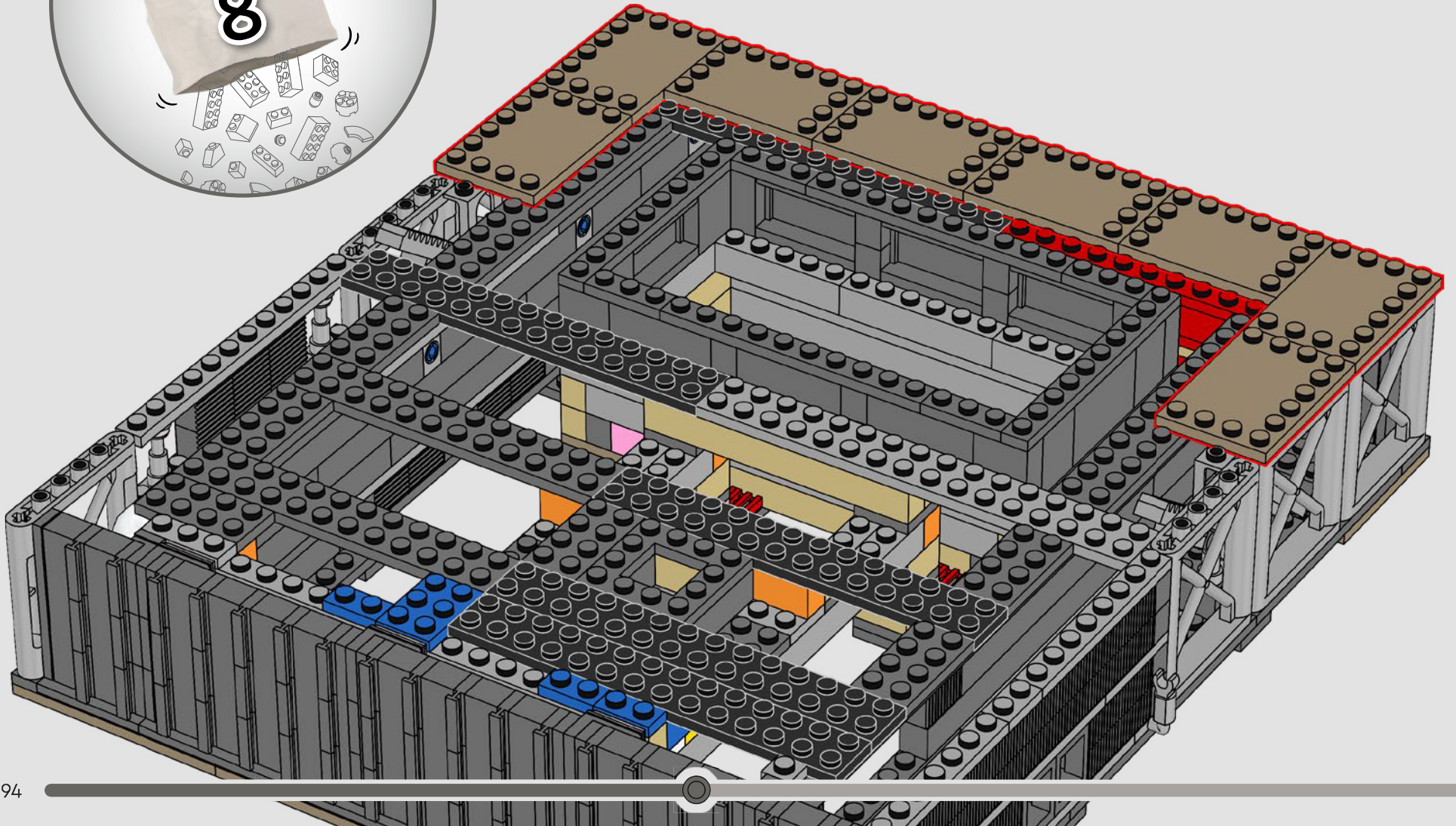


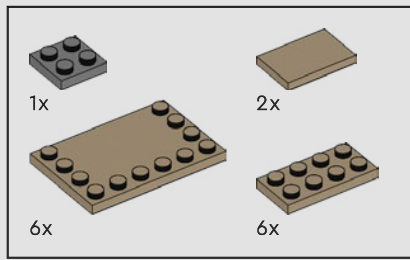
115



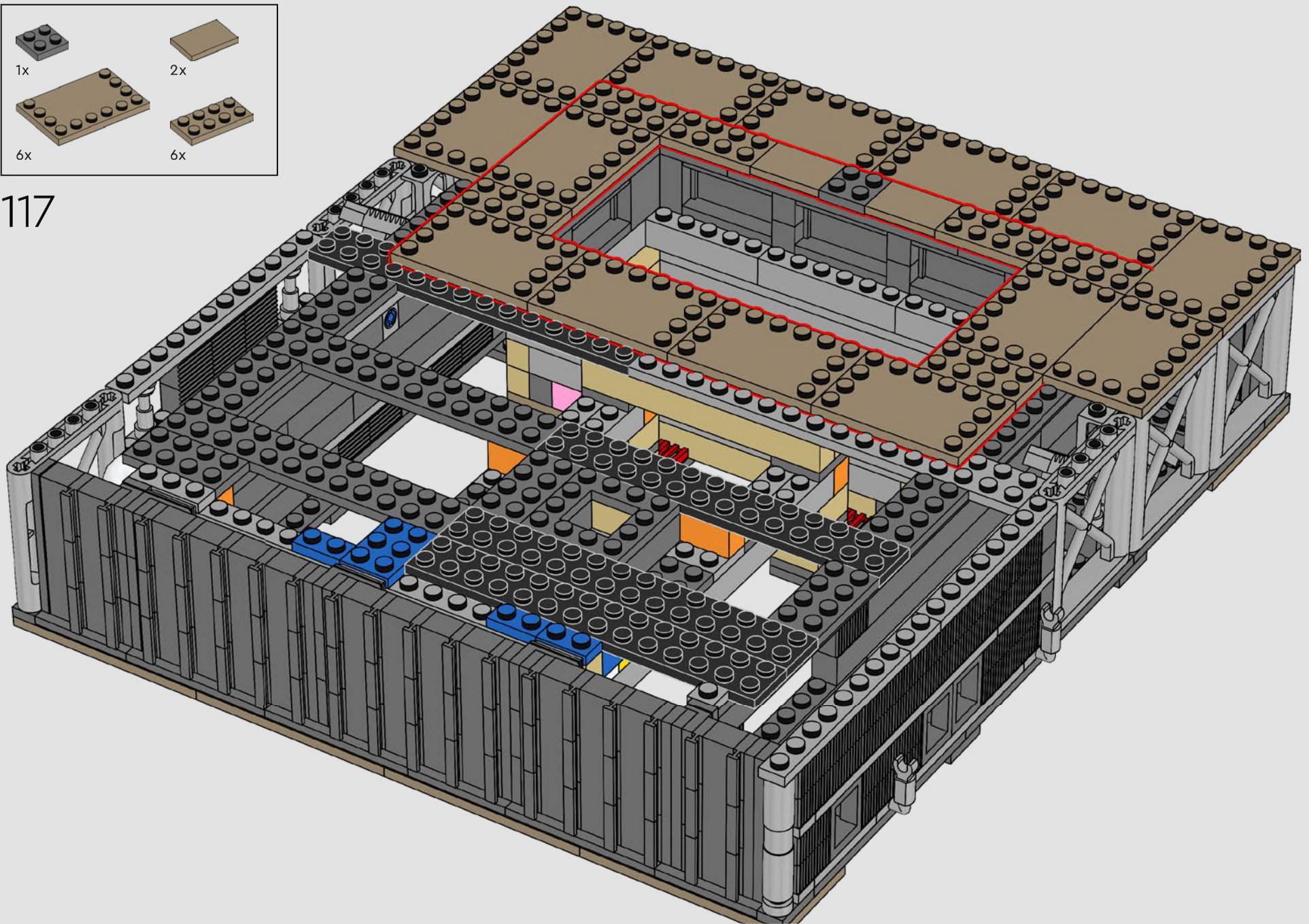


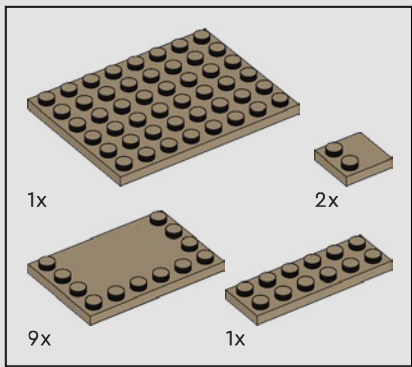
116



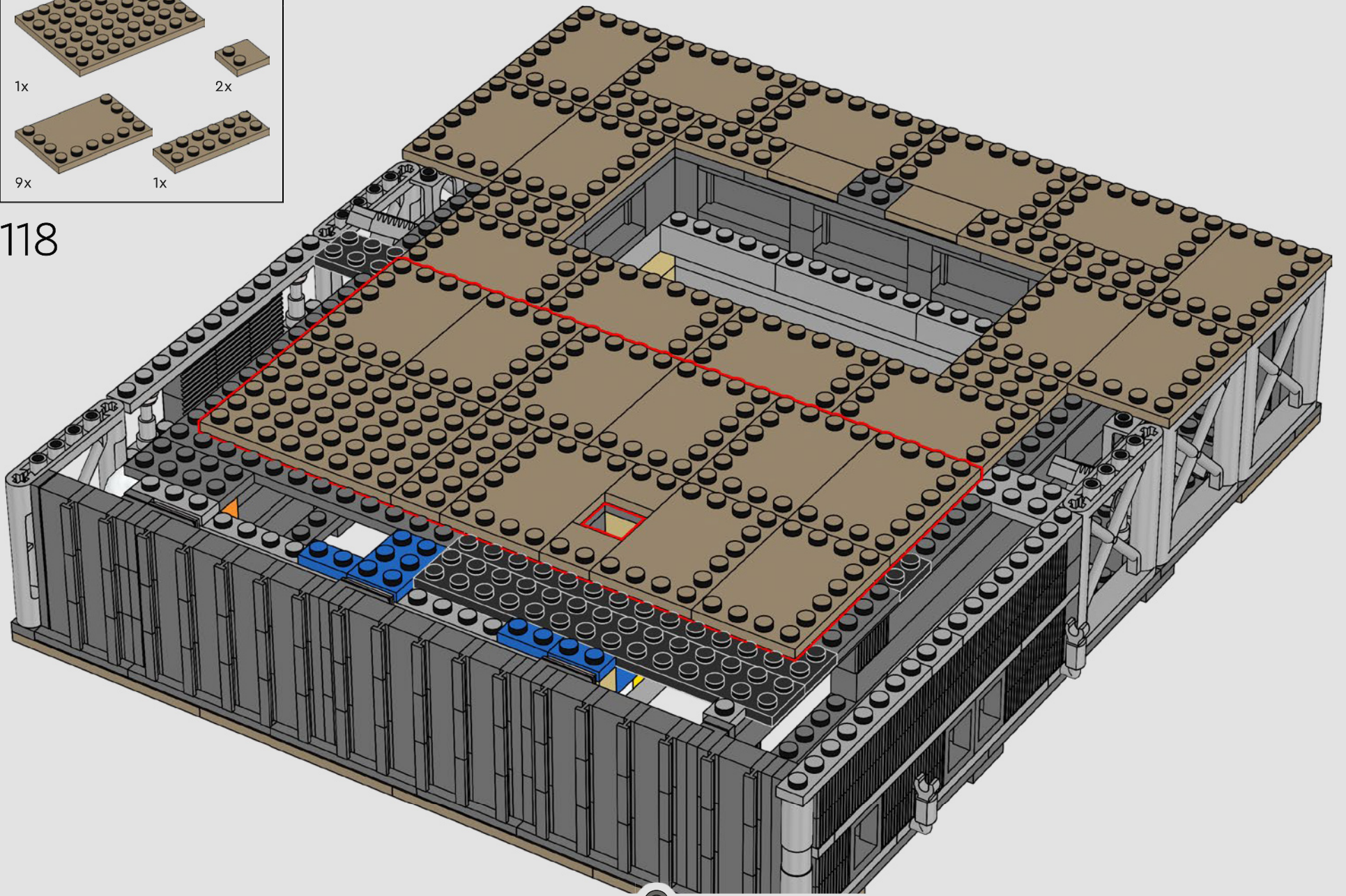


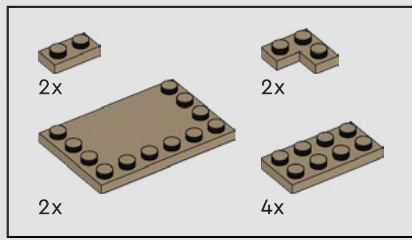
117



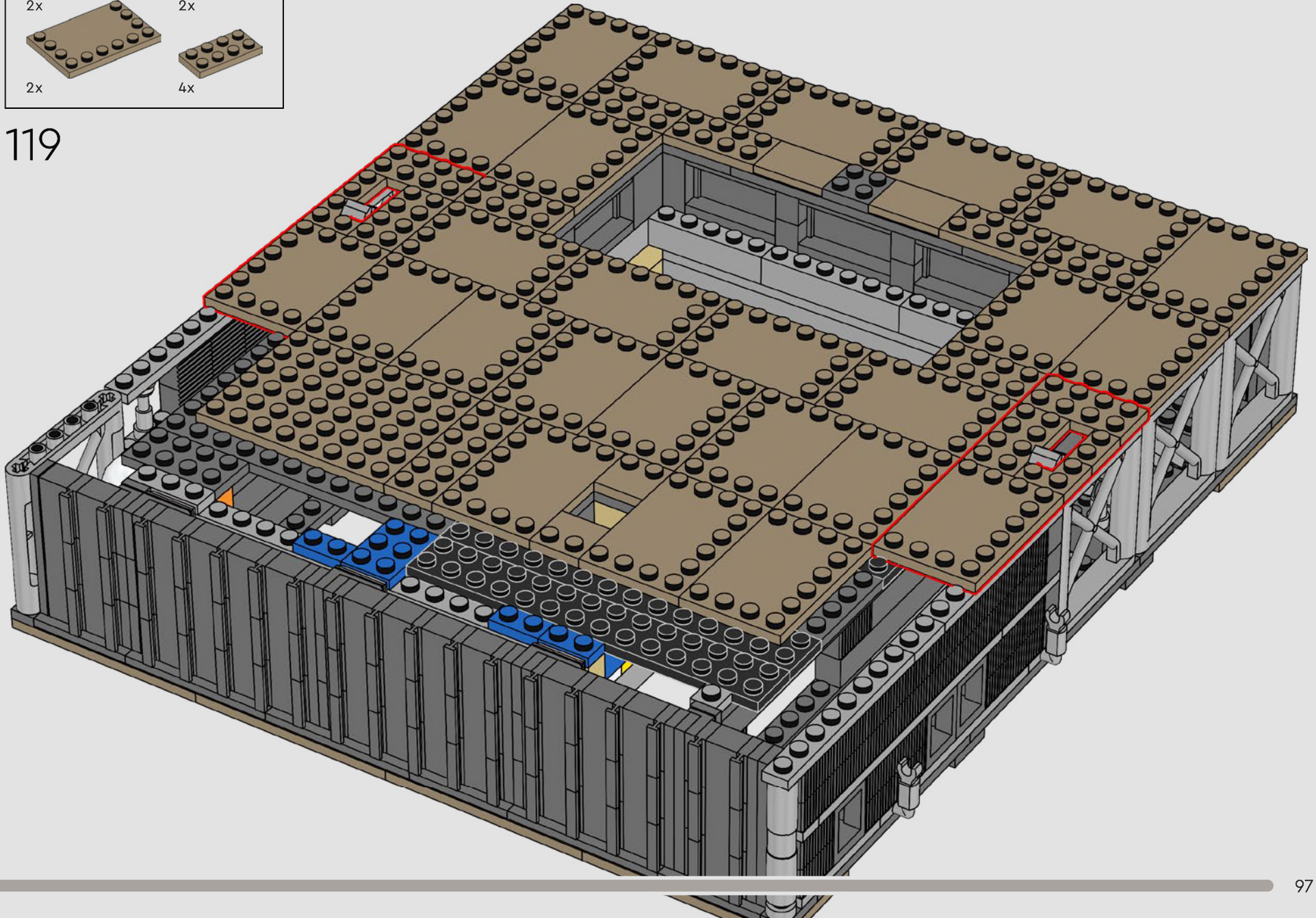


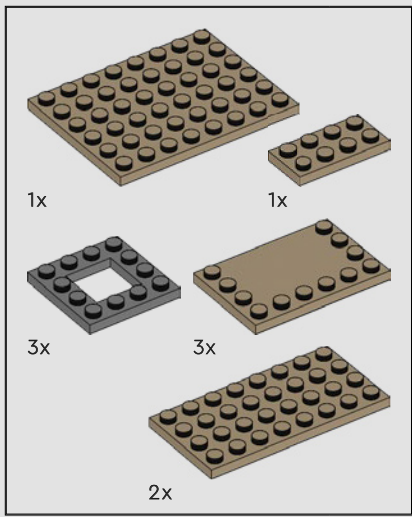
118



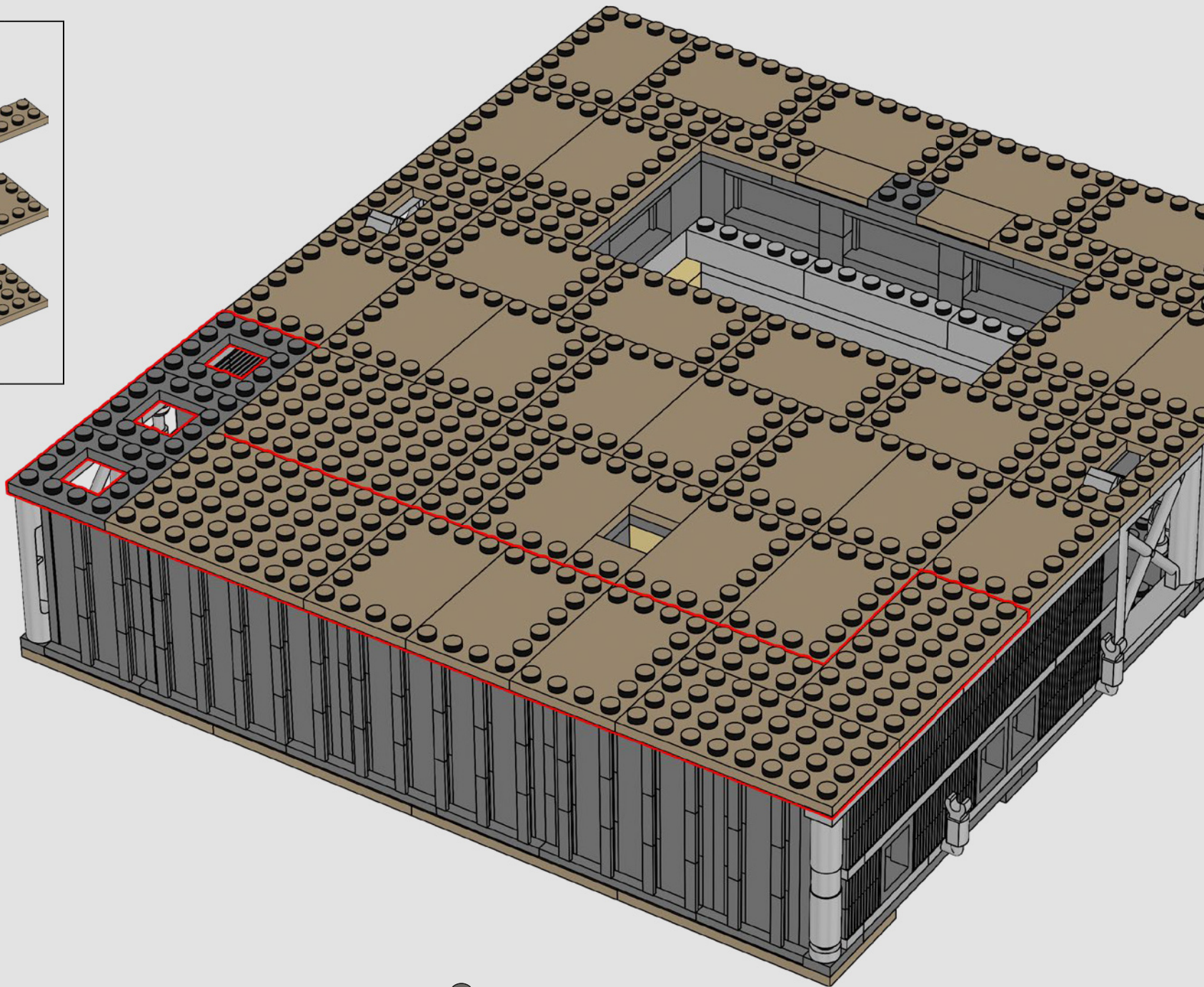


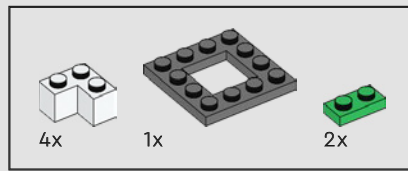
119



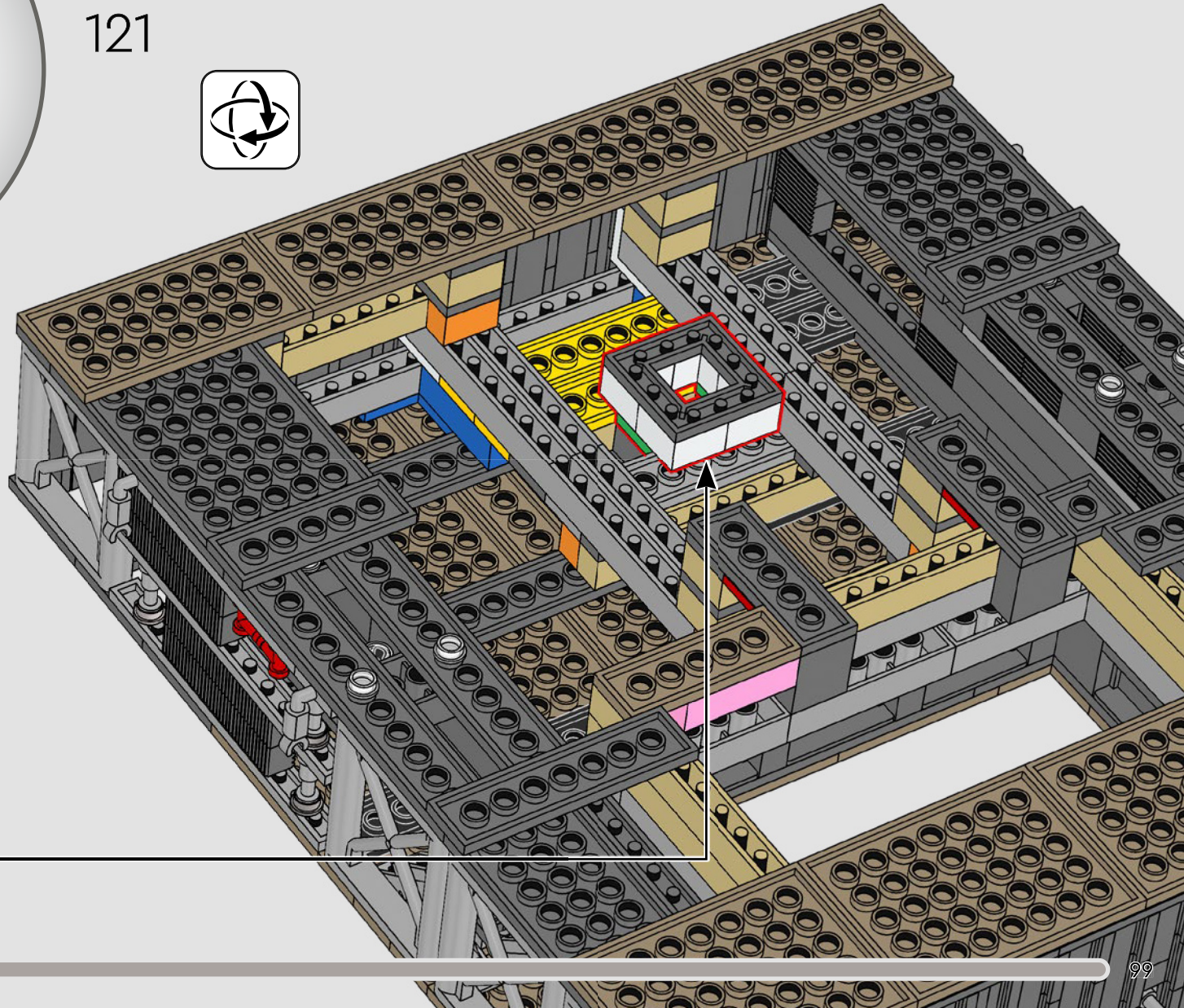
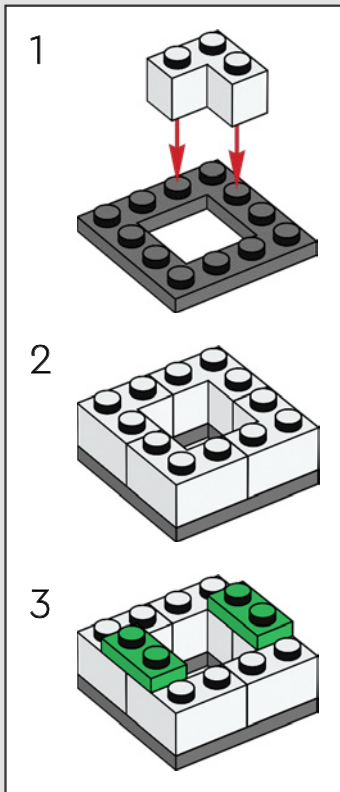


120



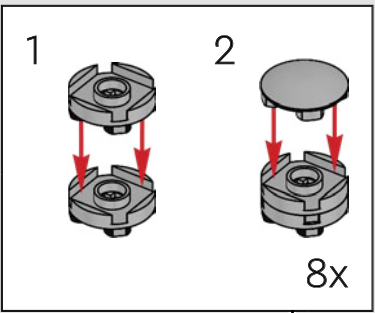
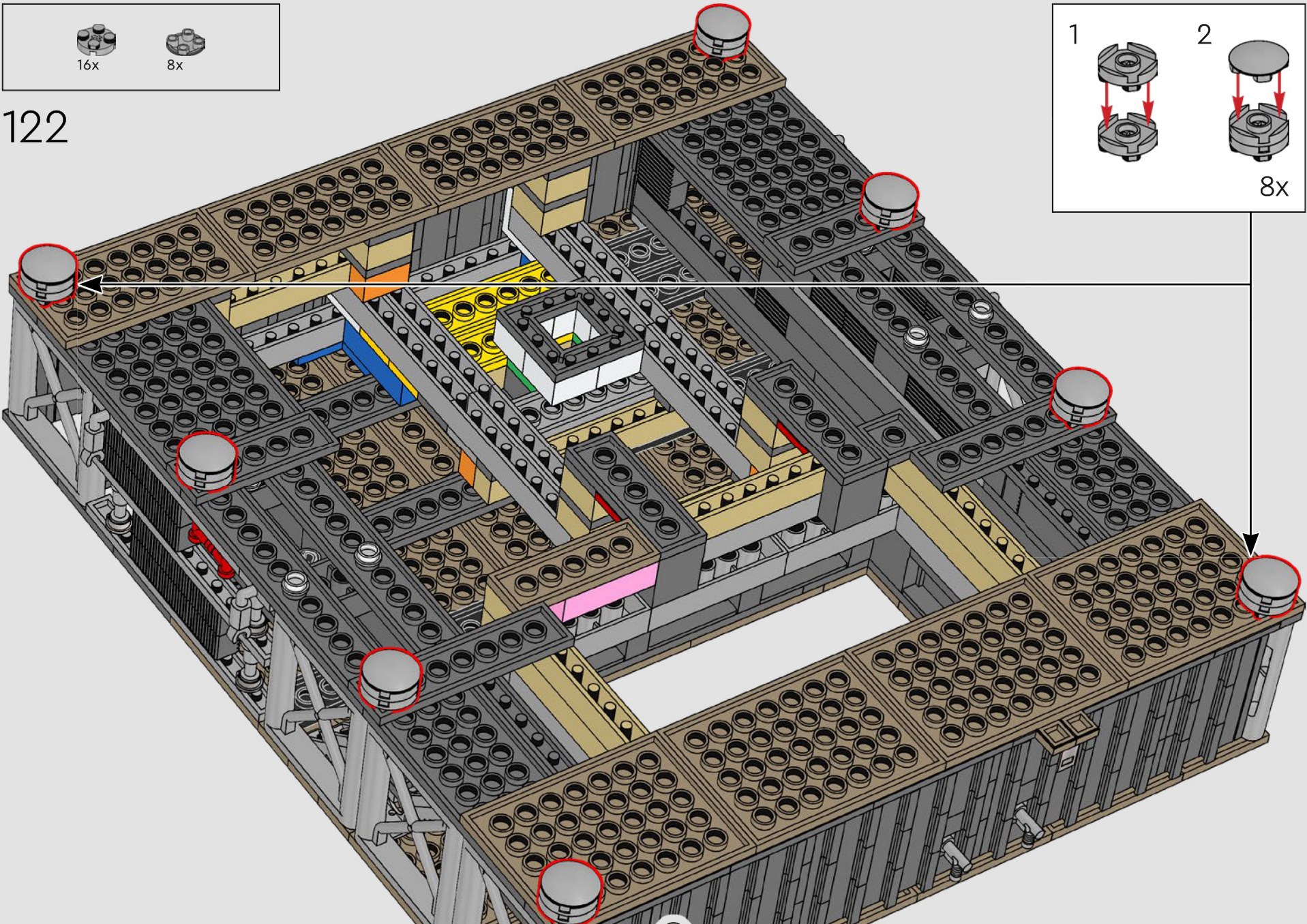


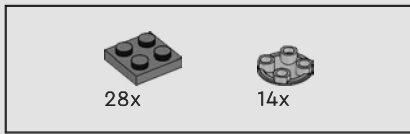
121



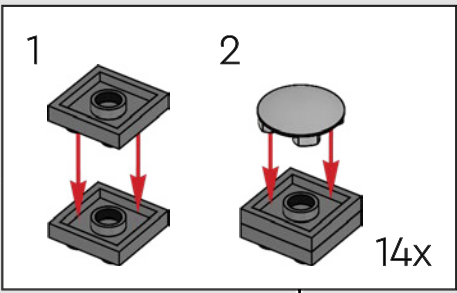
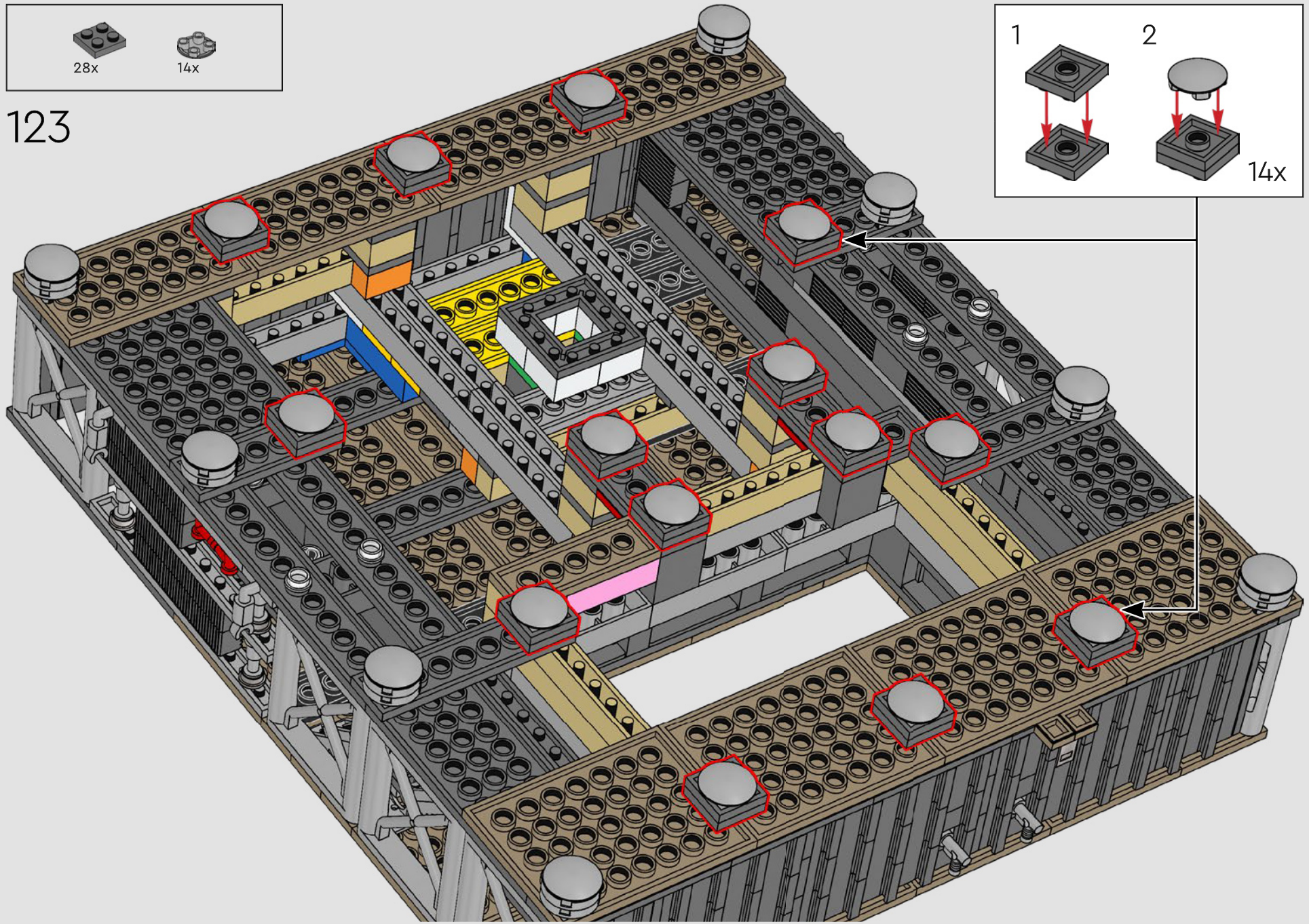


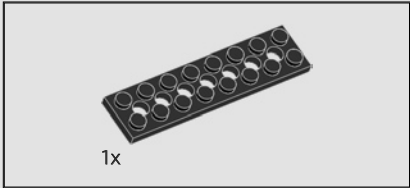
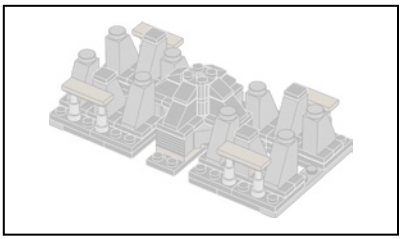
122





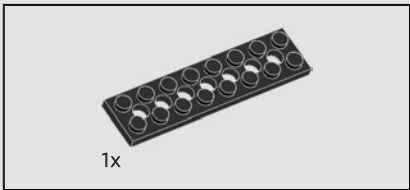
123





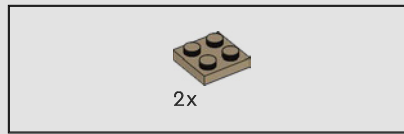
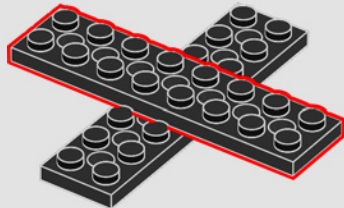
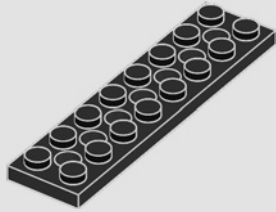
1x

124



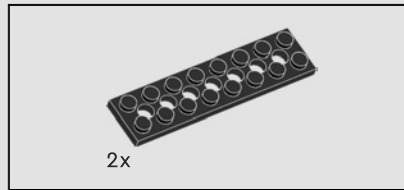
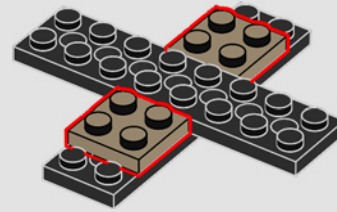
1x

125



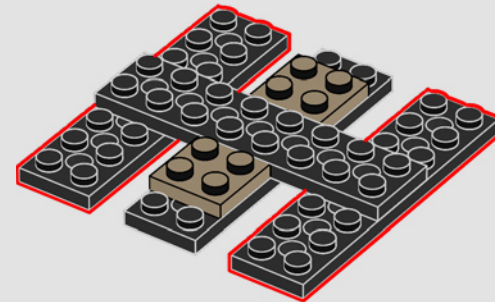
2x

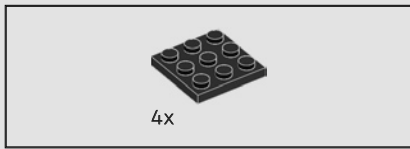
126



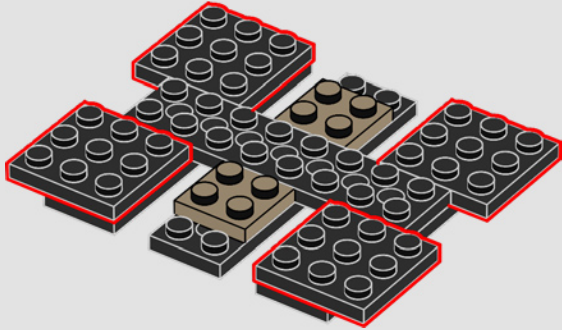
2x

127

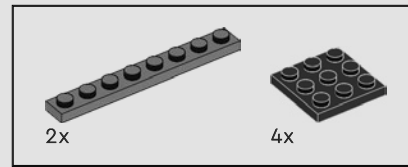
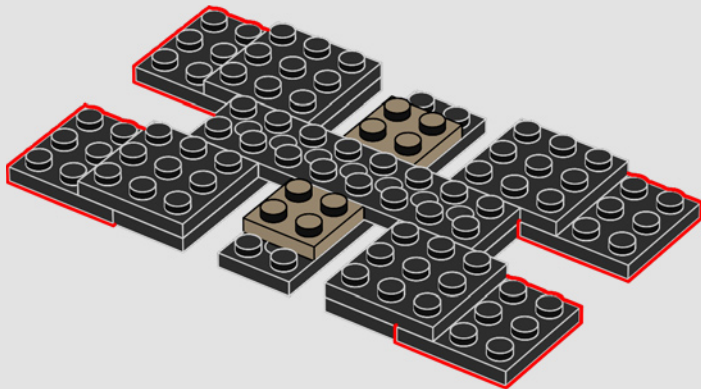




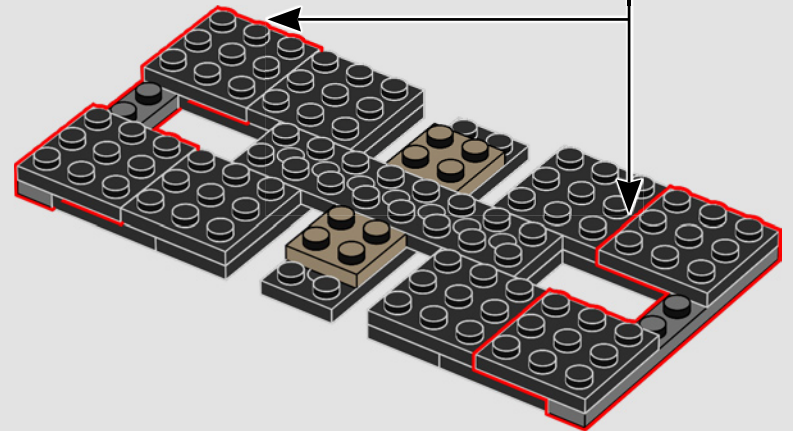
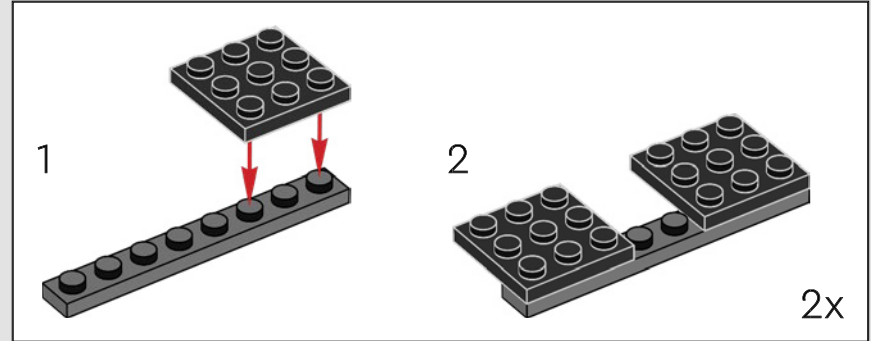
128



129



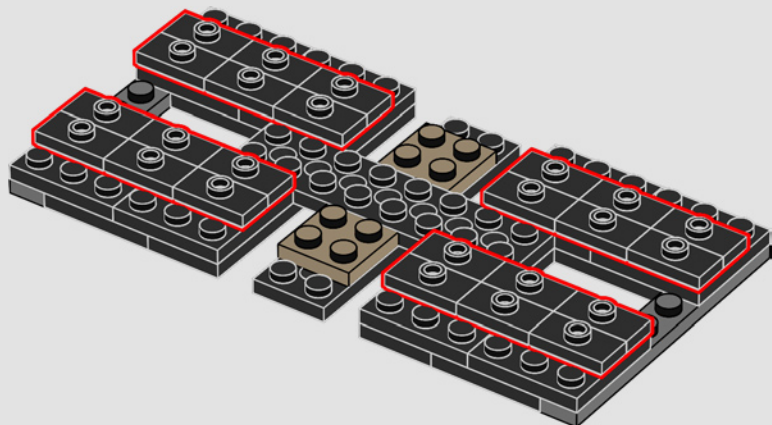
130





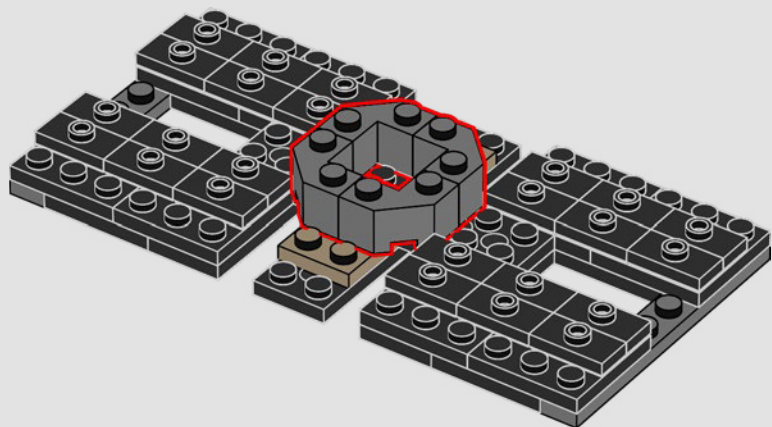
24x

131



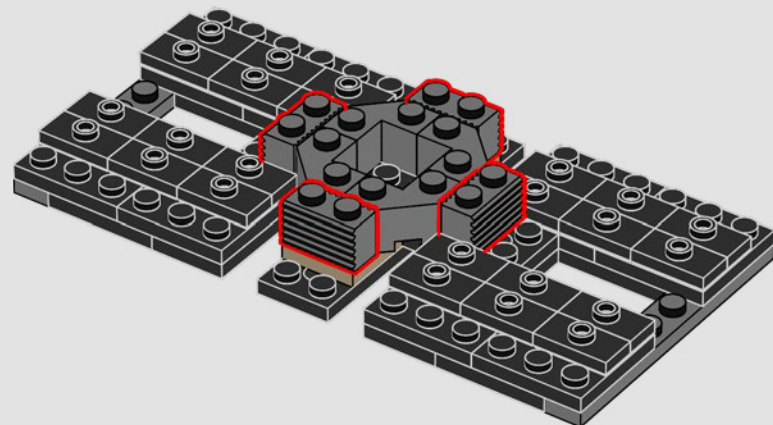
4x

132



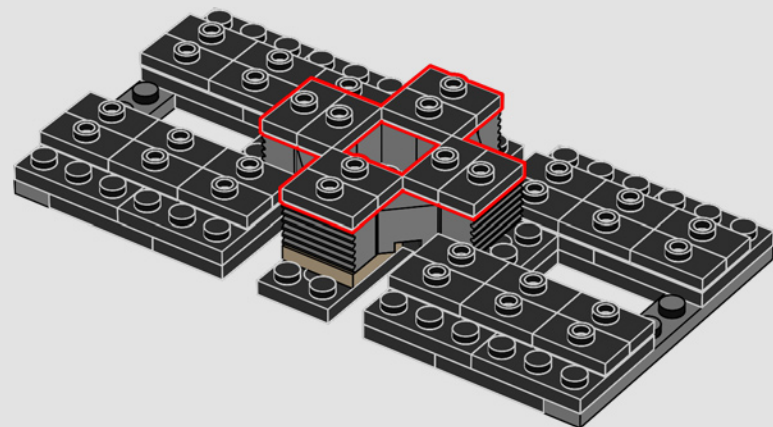
4x

133



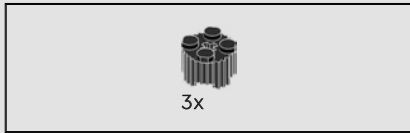
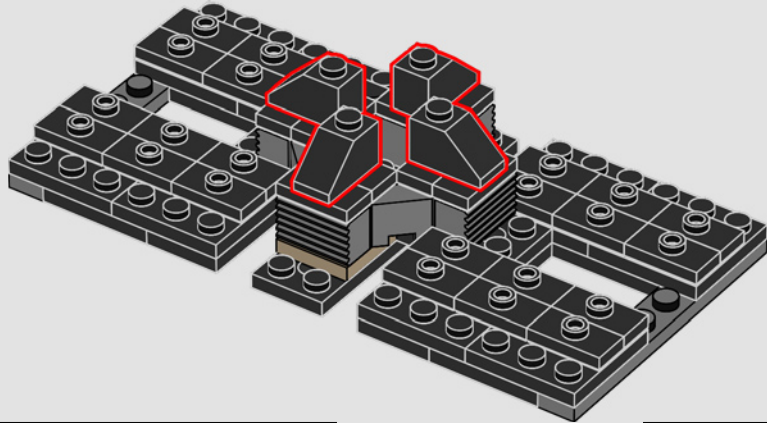
8x

134

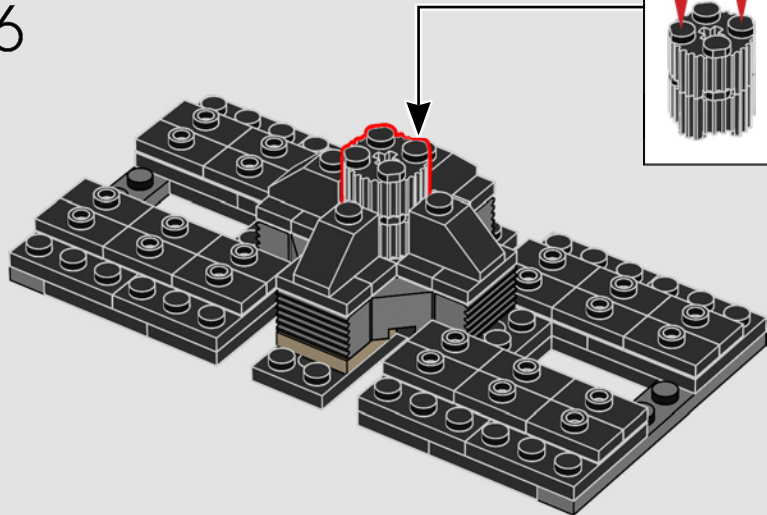




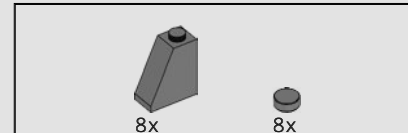
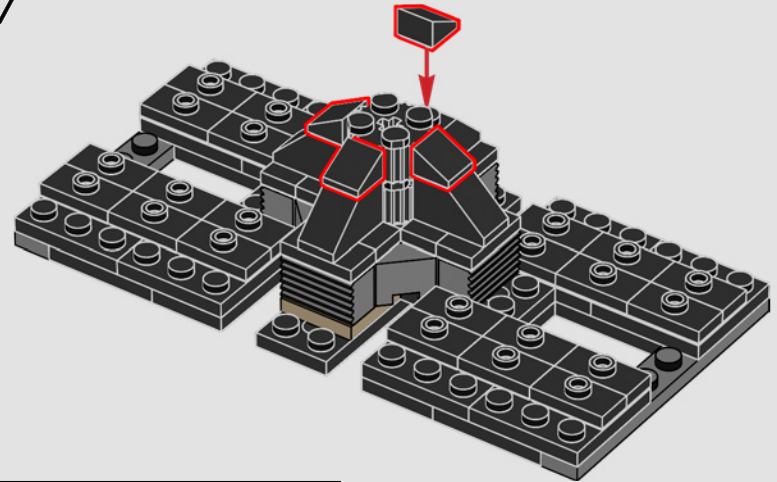
135



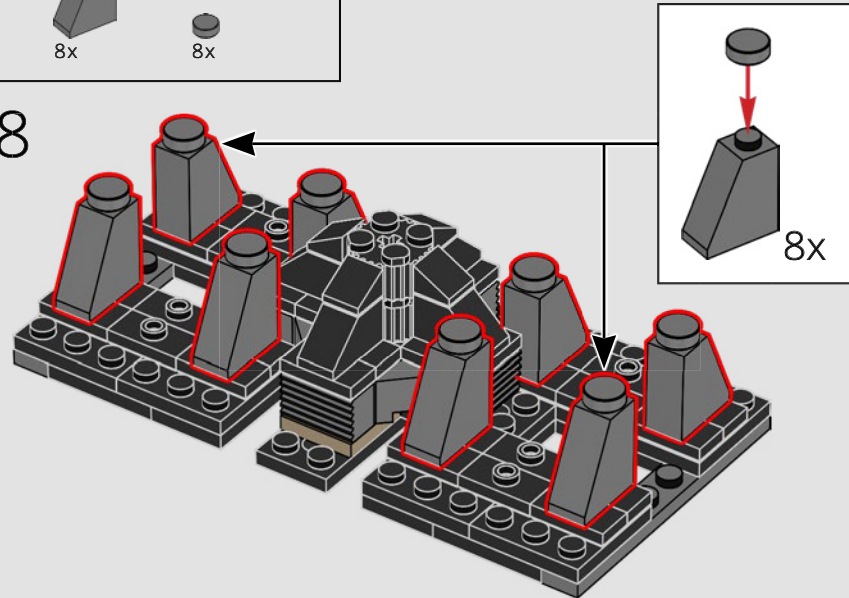
136

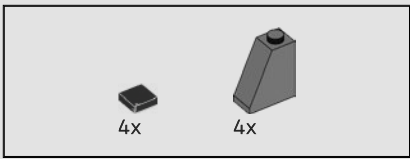


137

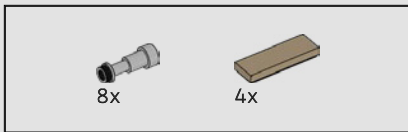
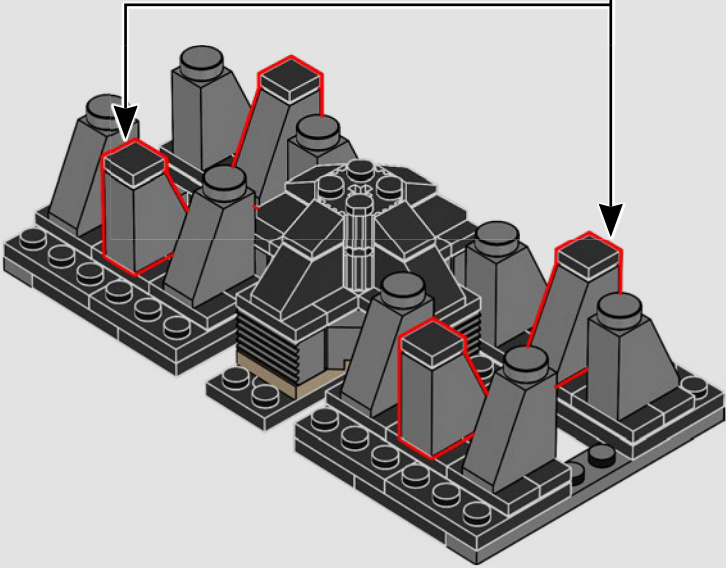
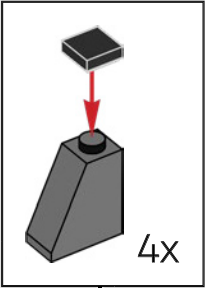


138

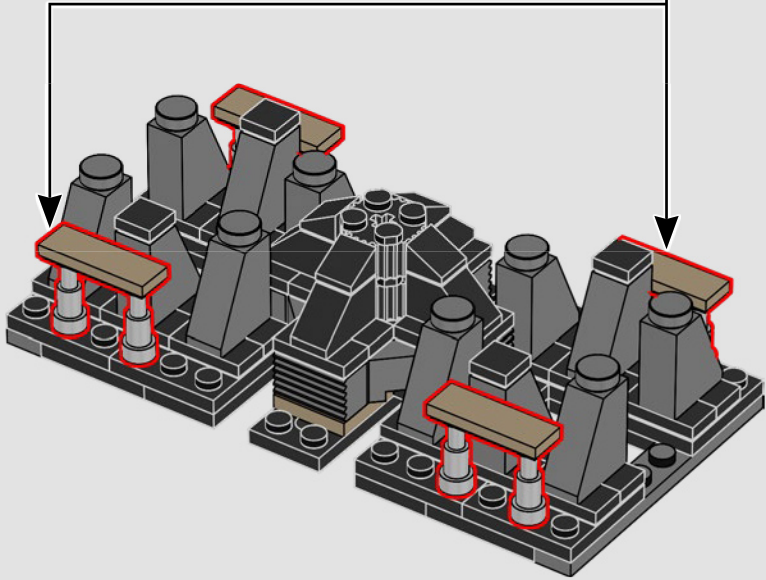
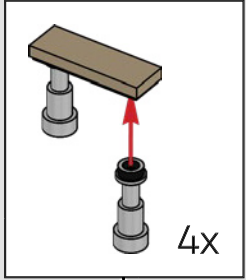




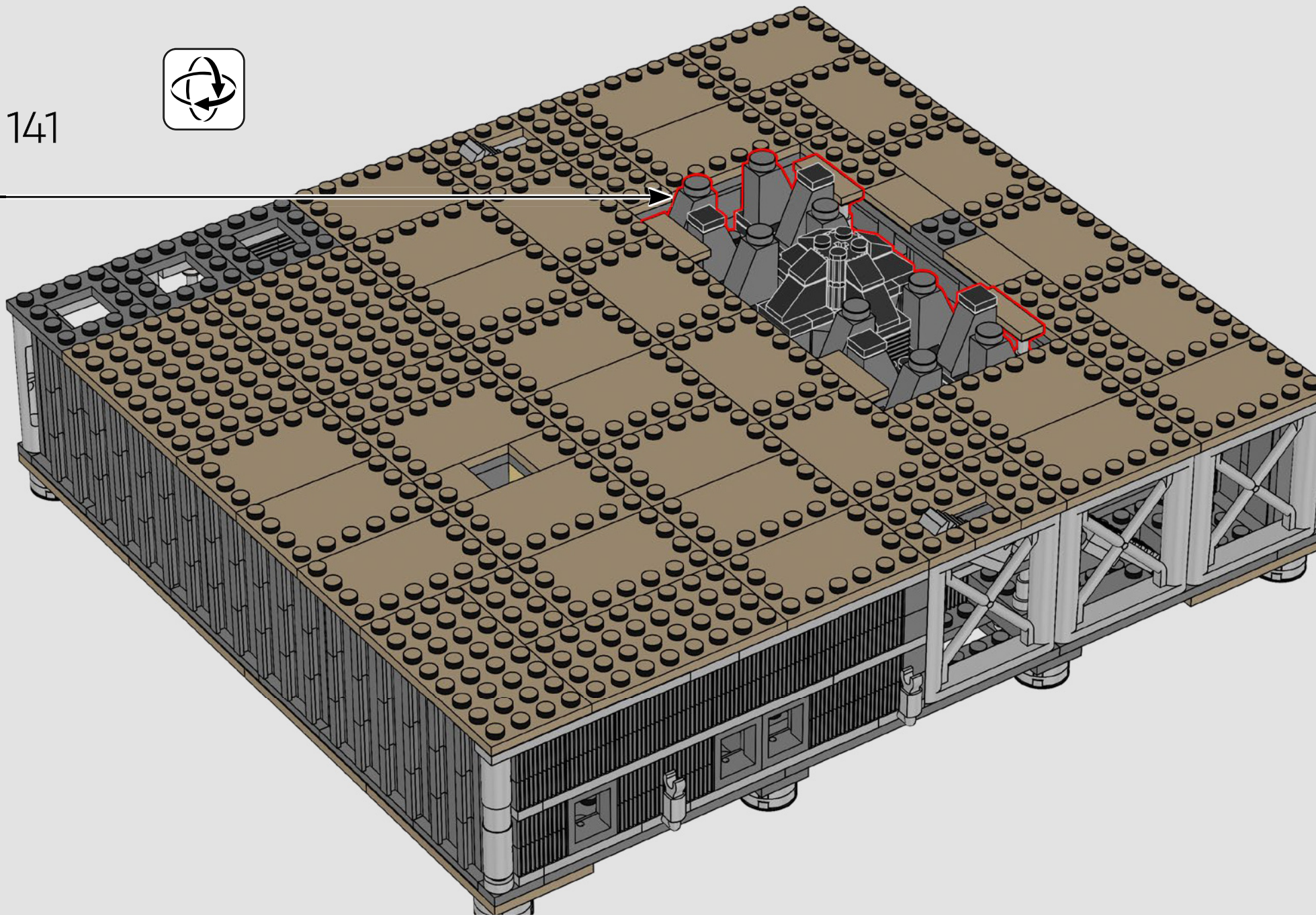
139

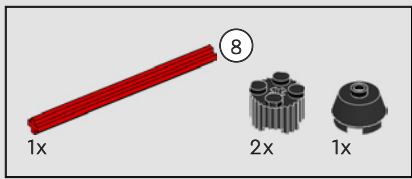


140

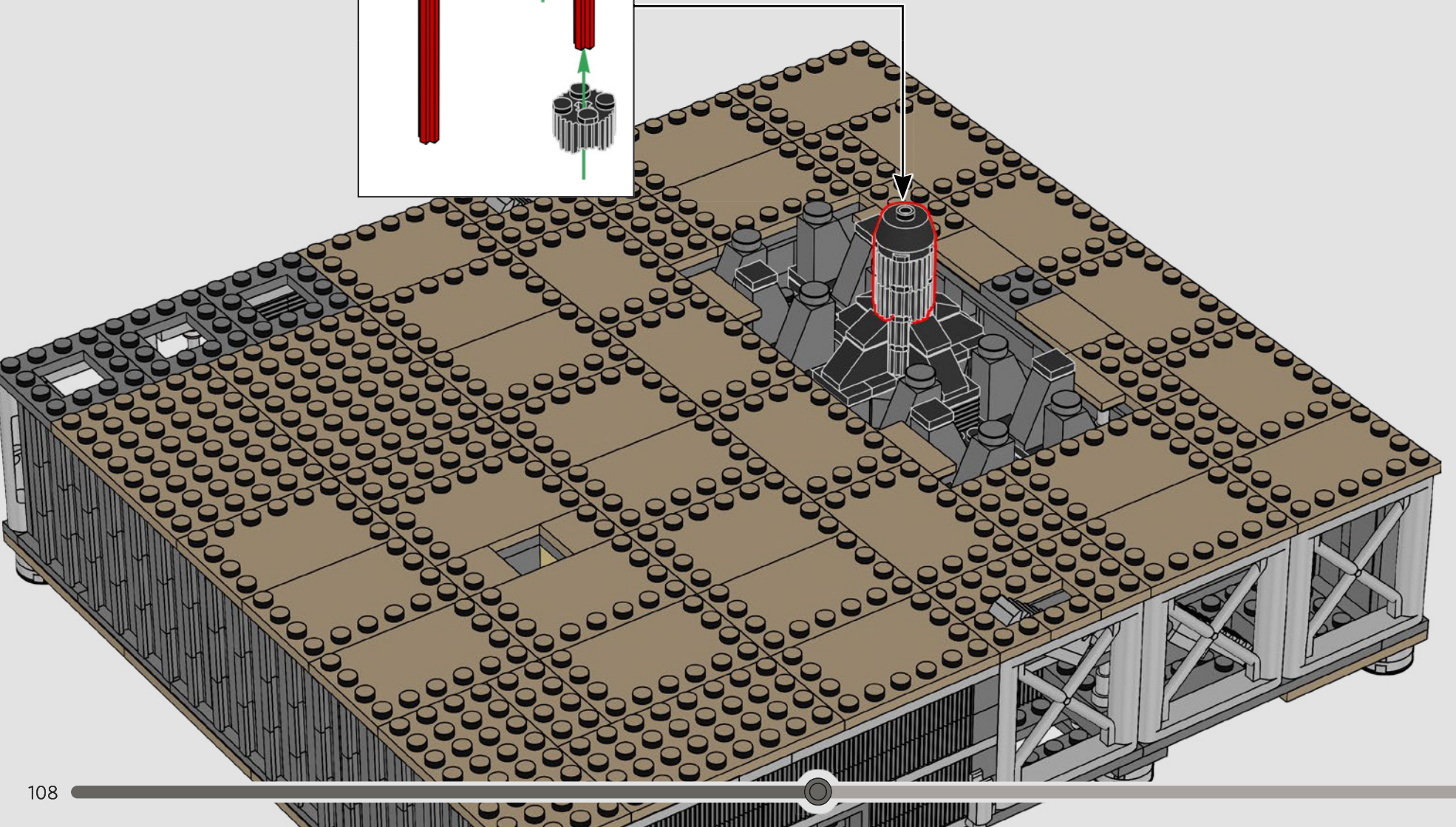
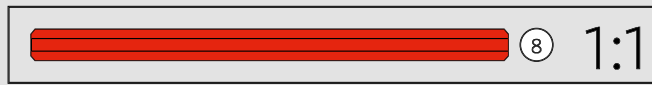
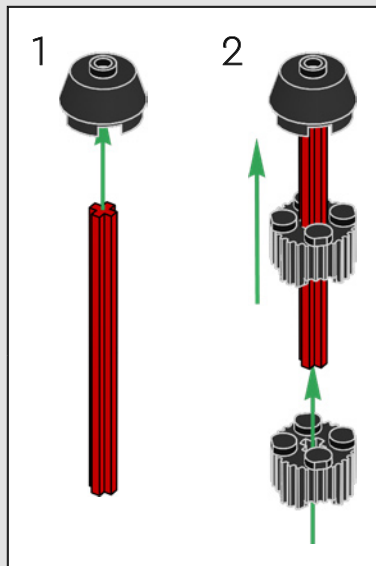


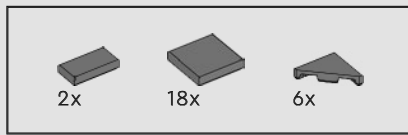
141



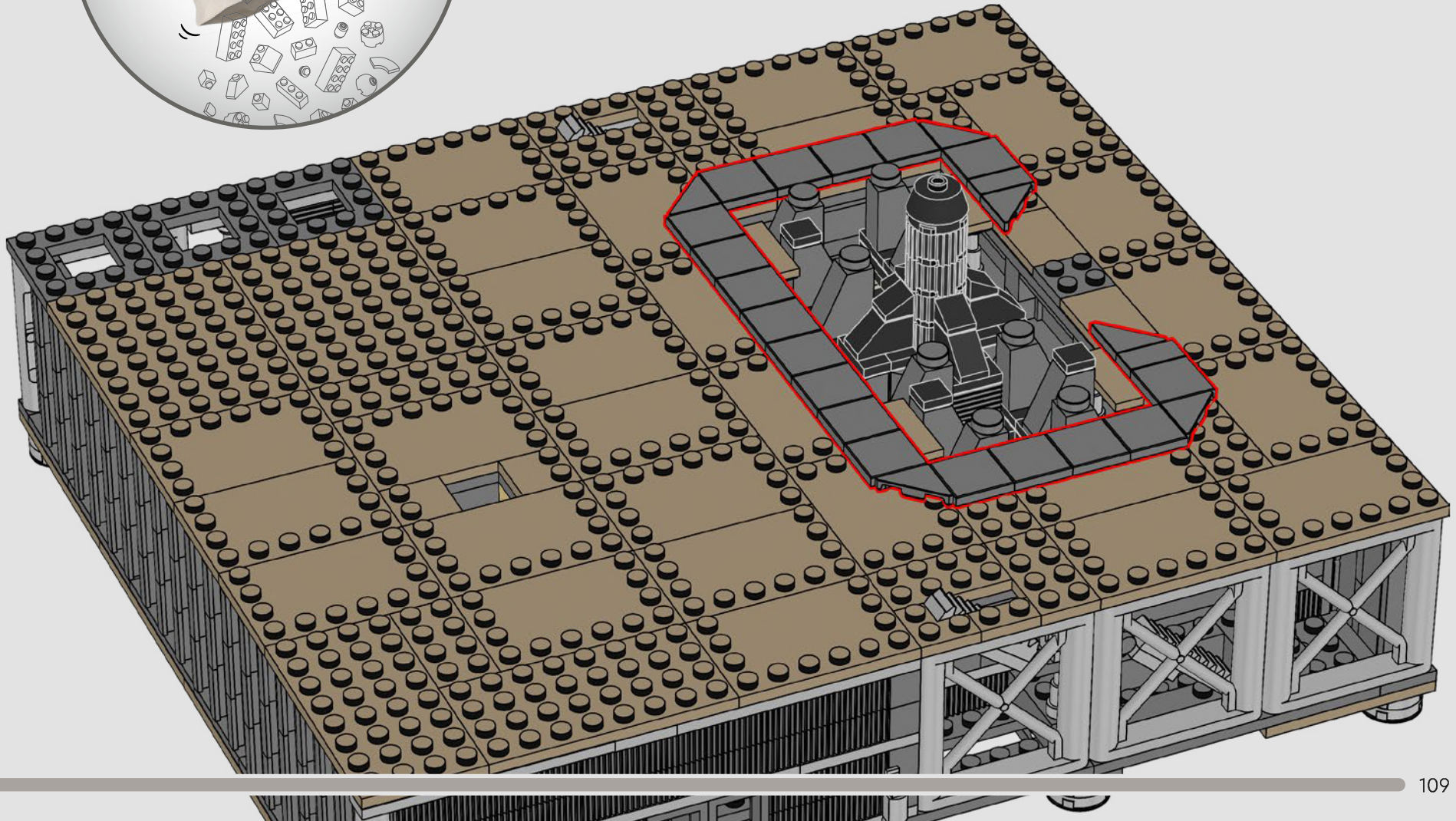


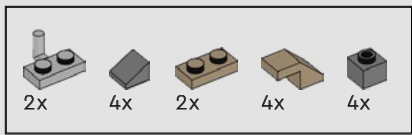
142



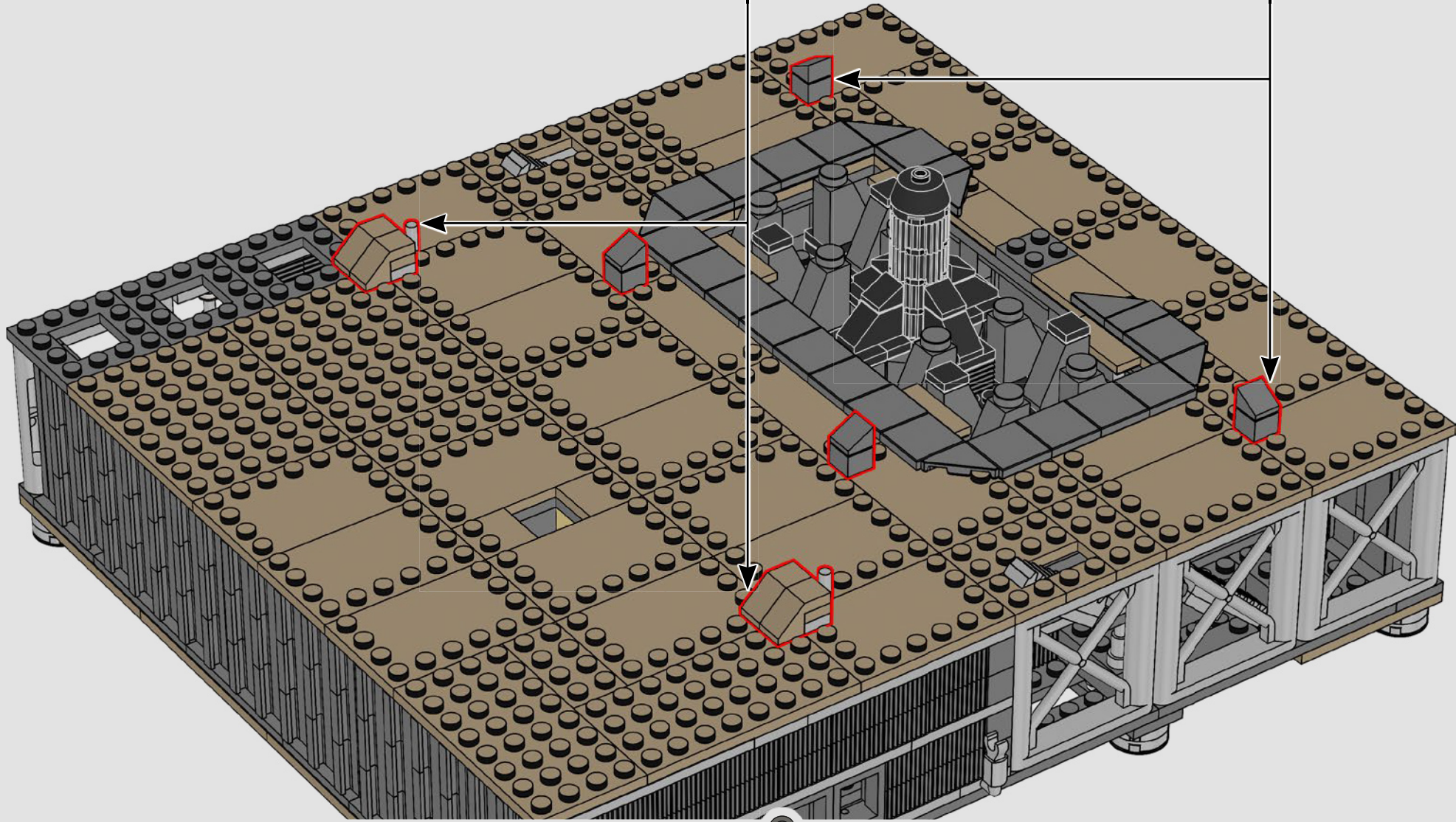
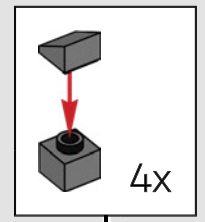
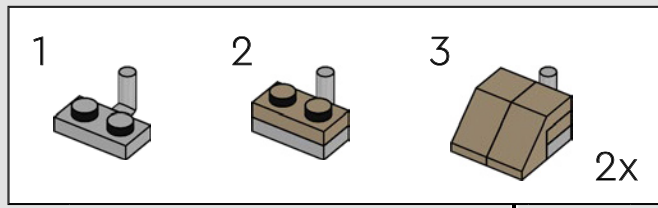


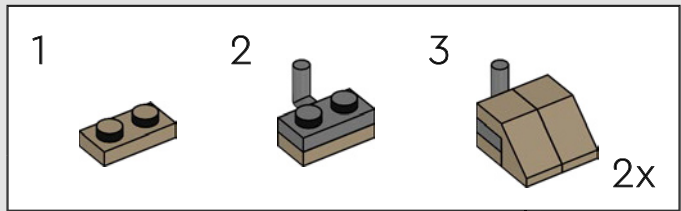
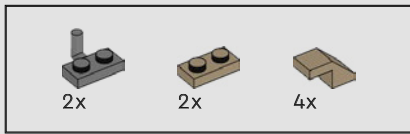
143



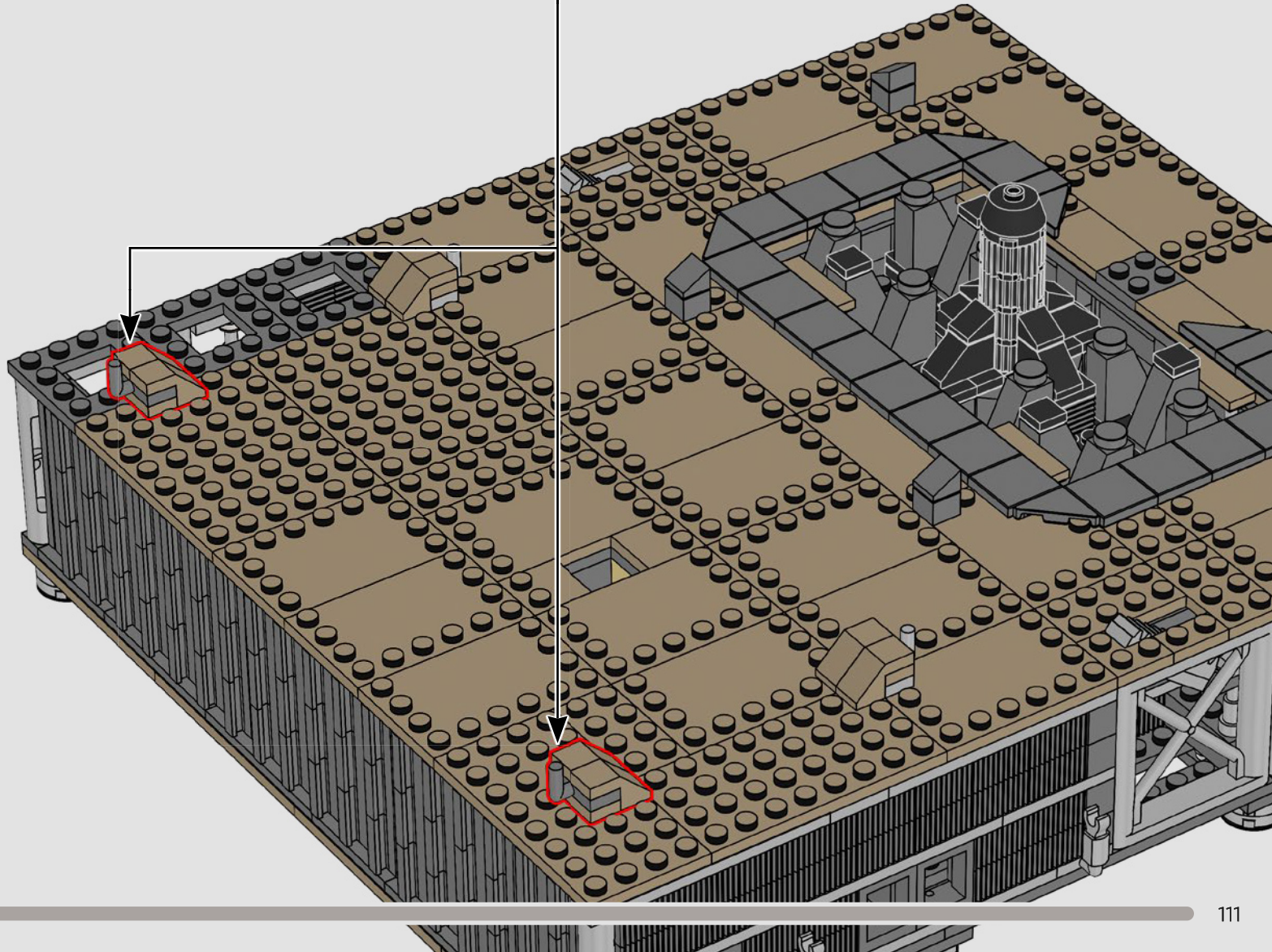


144





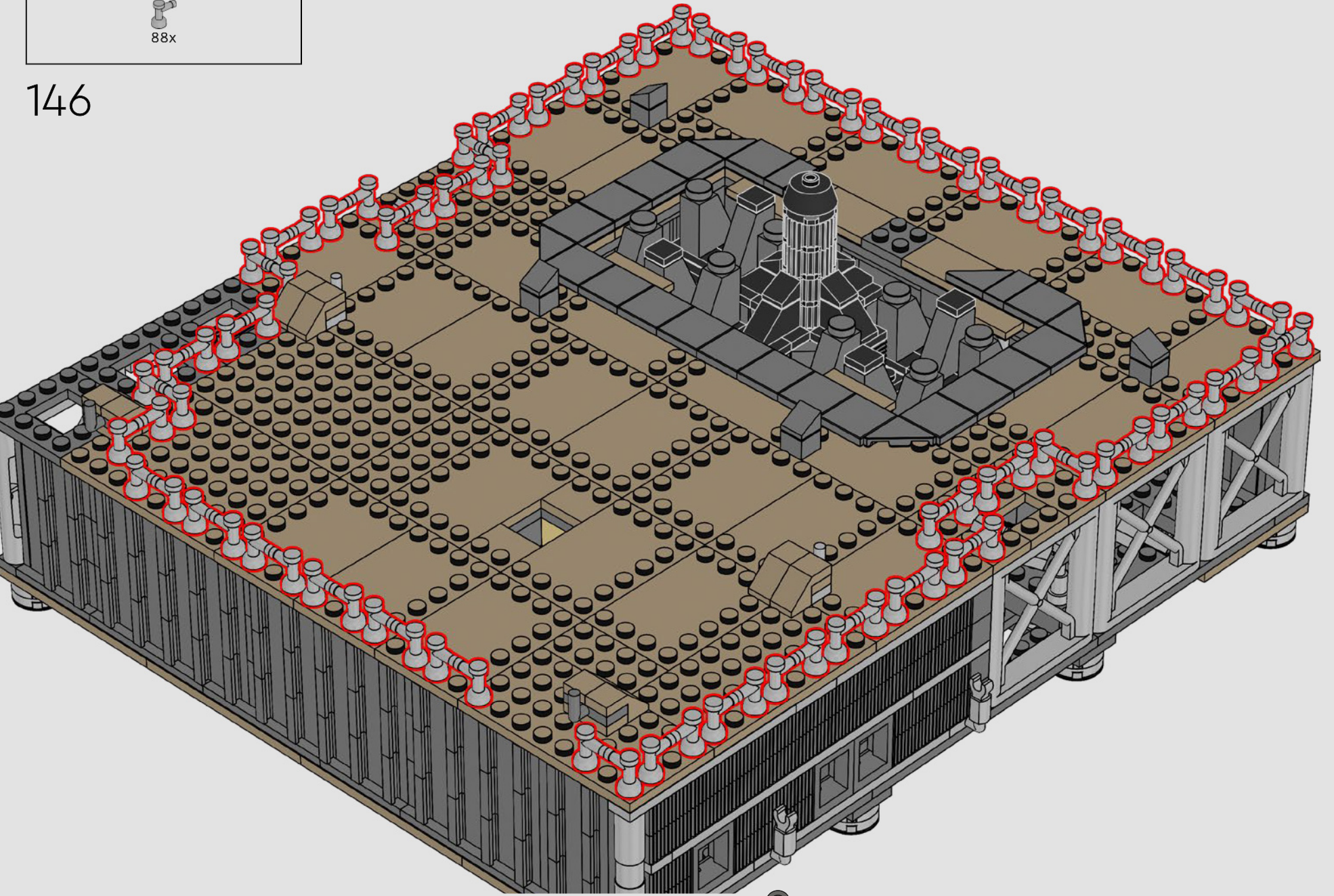
145

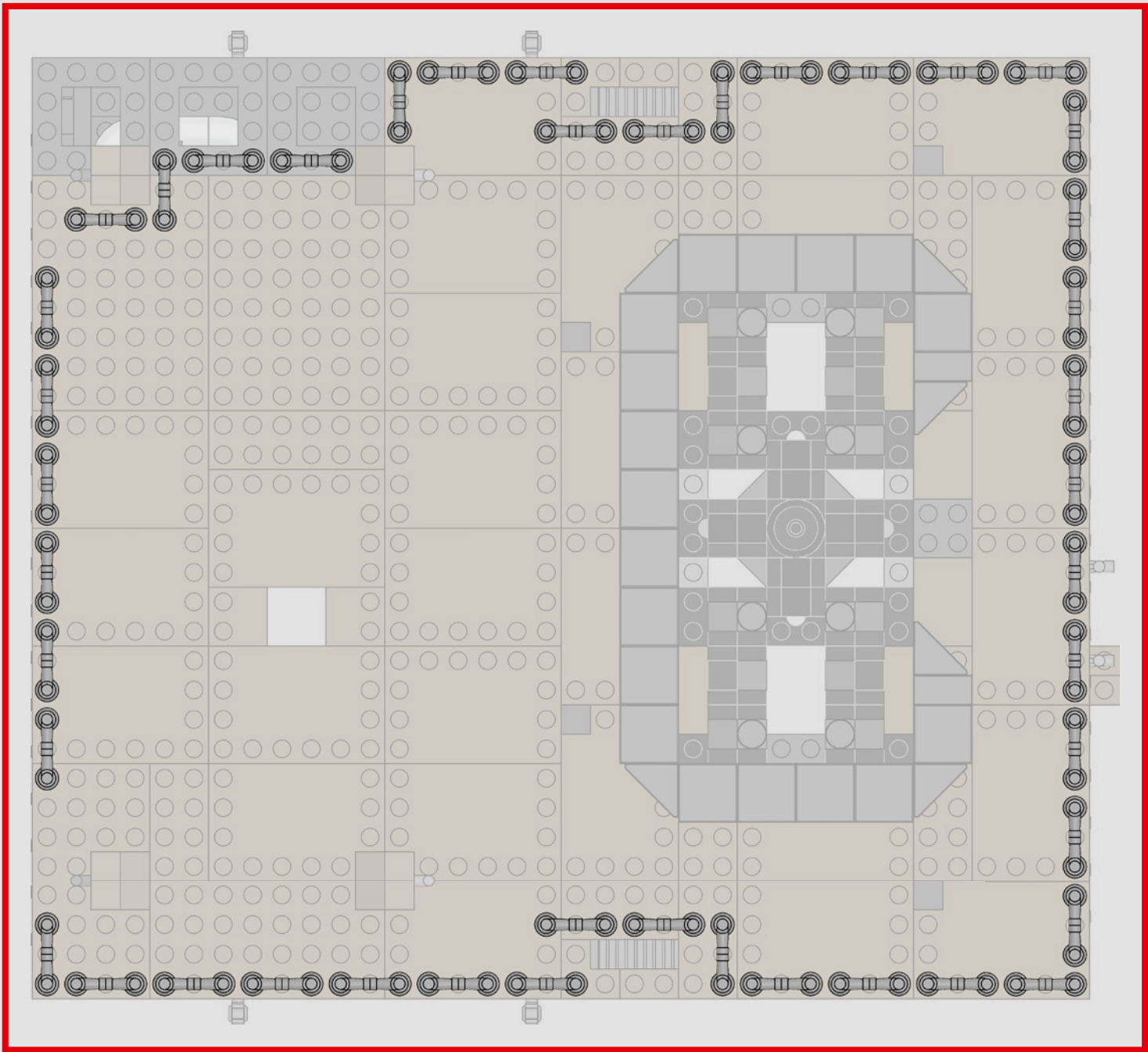


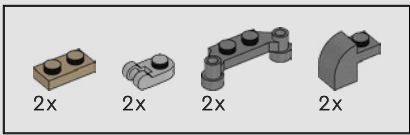


88x

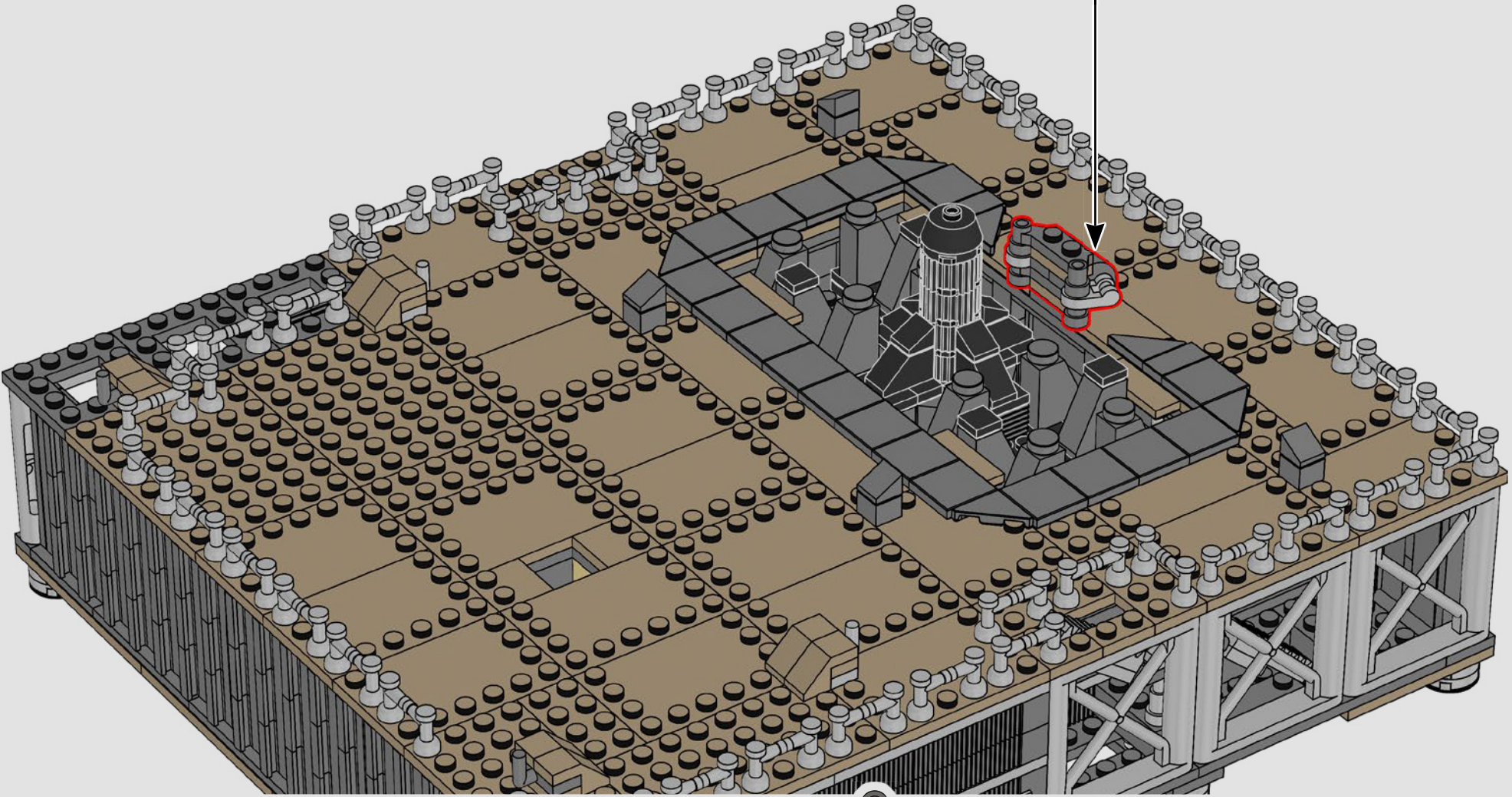
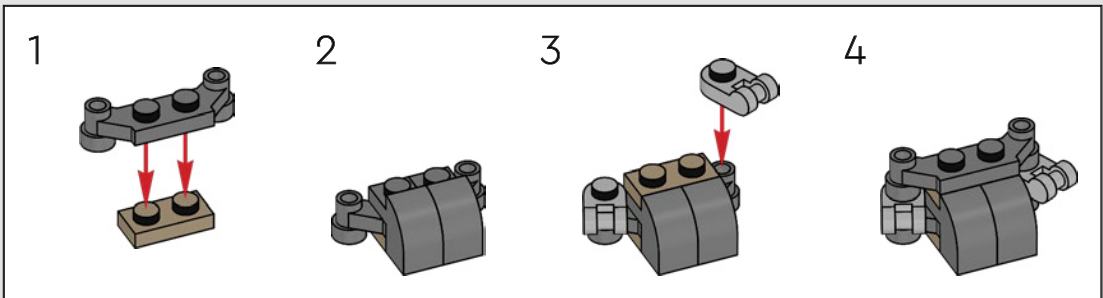
146

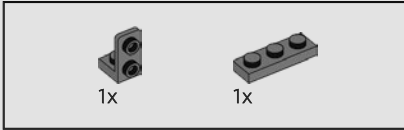
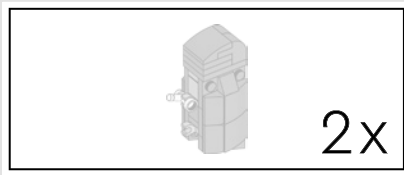




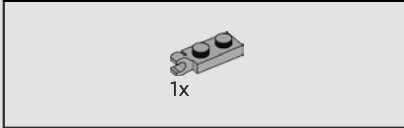
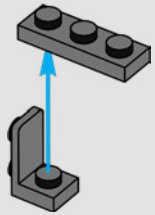


147

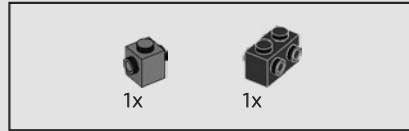
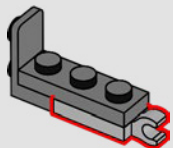




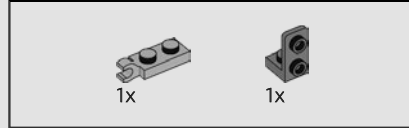
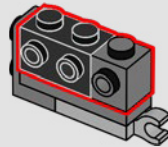
148



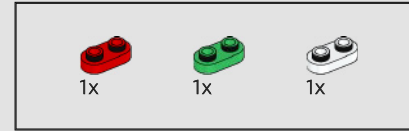
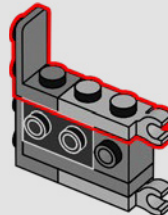
149



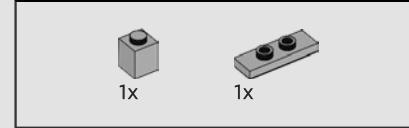
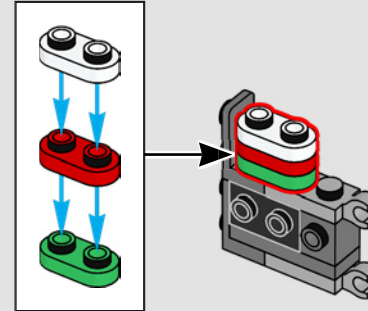
150



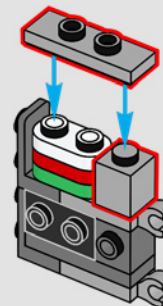
151



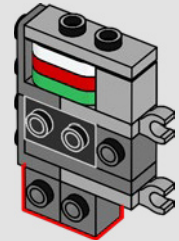
152



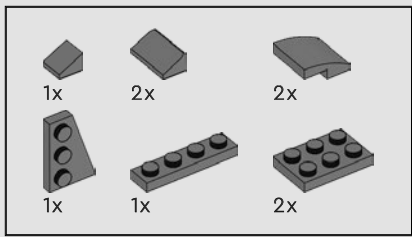
153



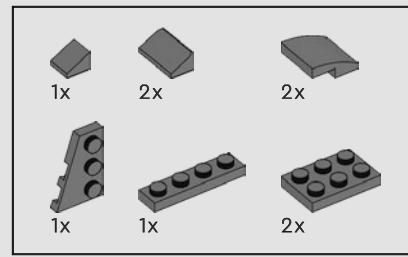
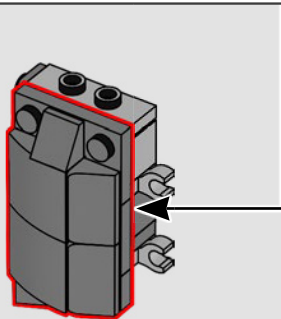
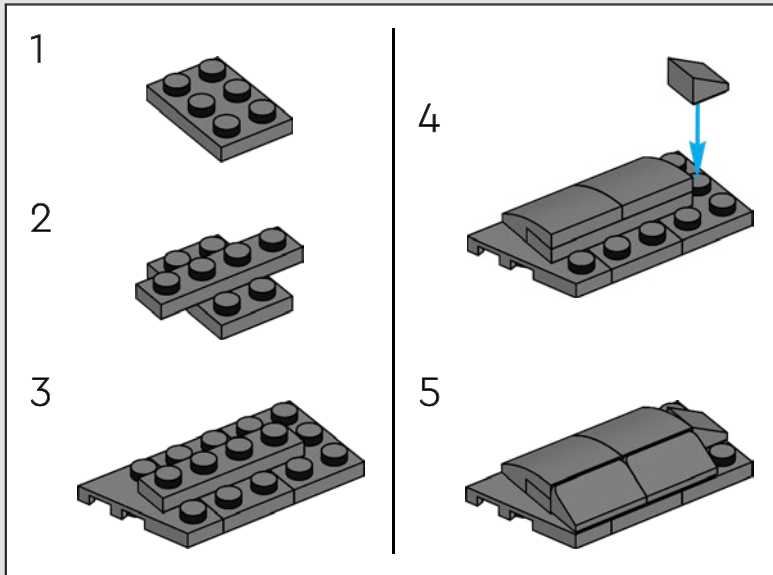
154



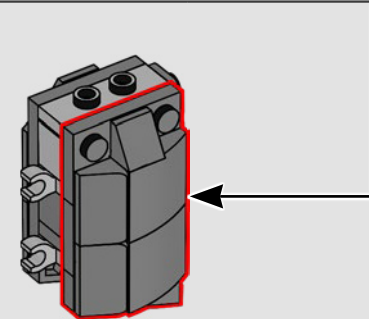
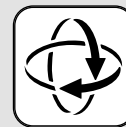
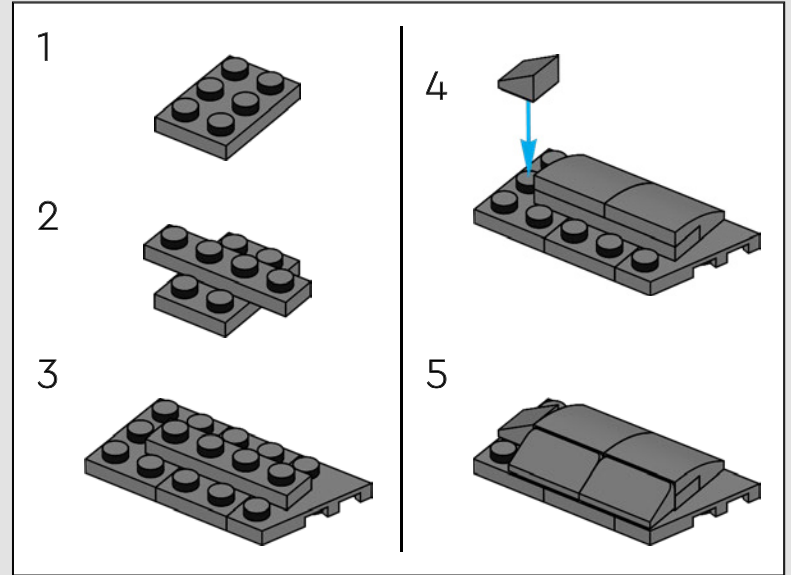
A LEGO® rocket must be powered the LEGO way, of course. The stacked rounded 1x2 plates inside the 'petrol station' in front of the rocket have a long LEGO history!

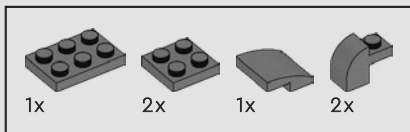


155

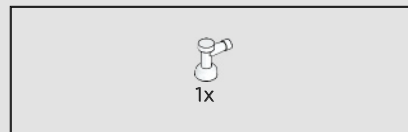
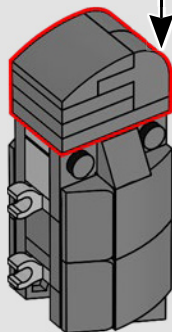
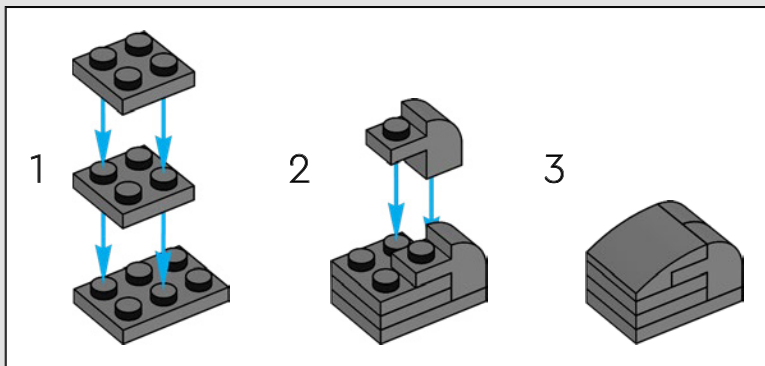


156

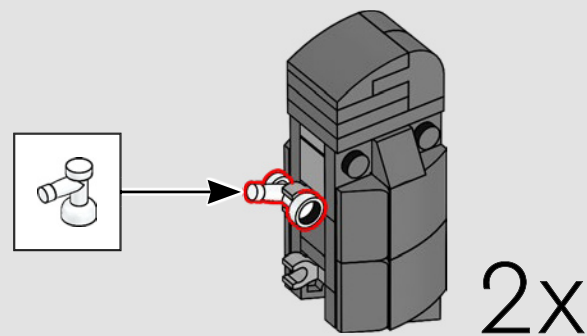




157

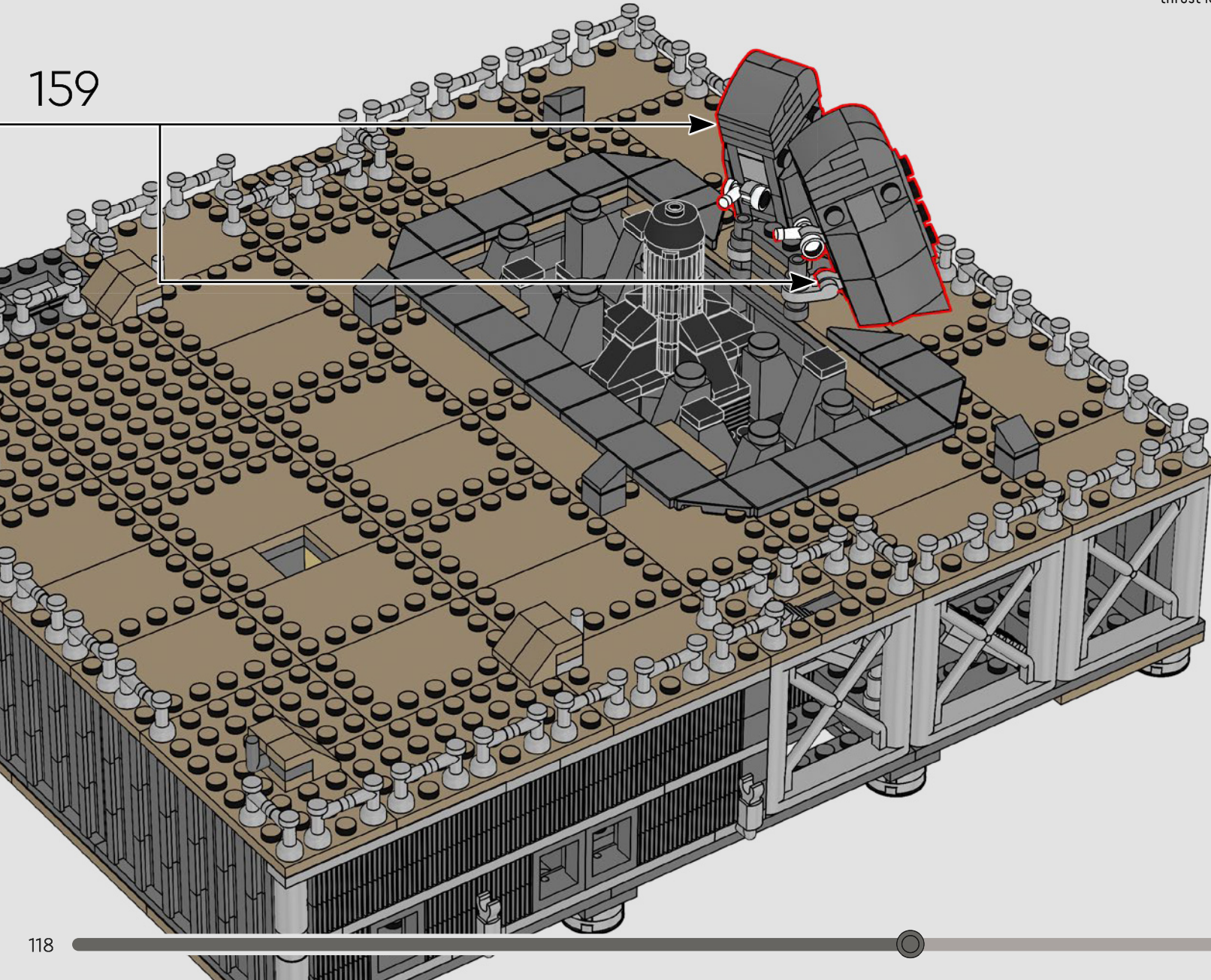


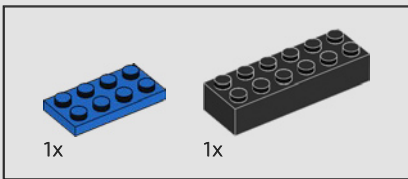
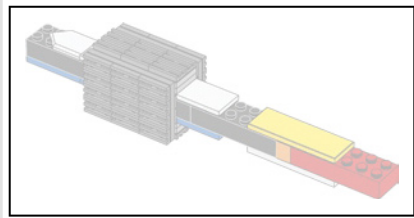
158



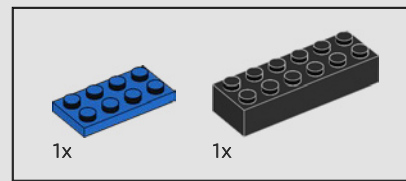
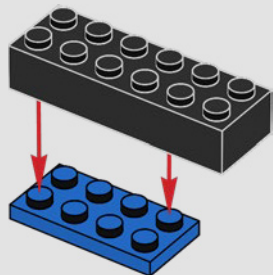
SLS uses larger solid rocket boosters than the NASA space shuttles. Liquid hydrogen and liquid oxygen feed the RS-25 engines, which operate at a higher thrust level and with new controllers.

159

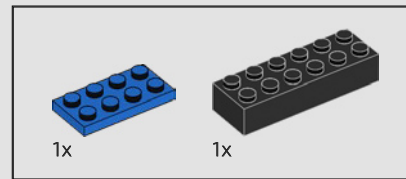
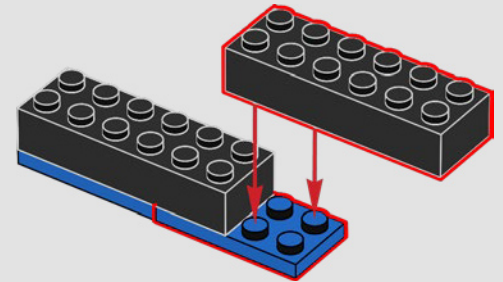




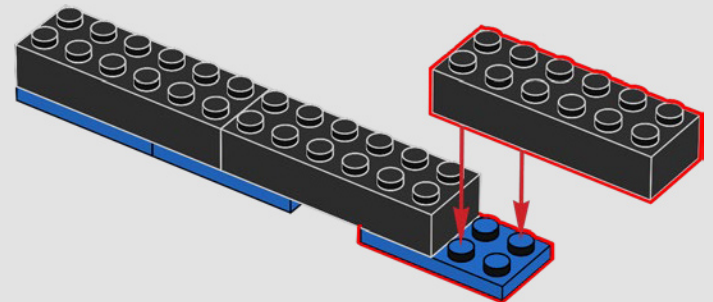
160

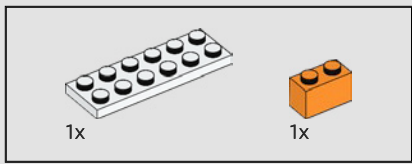


161

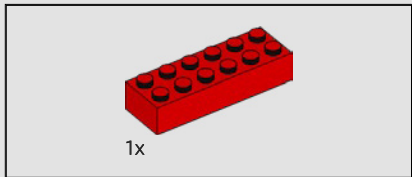
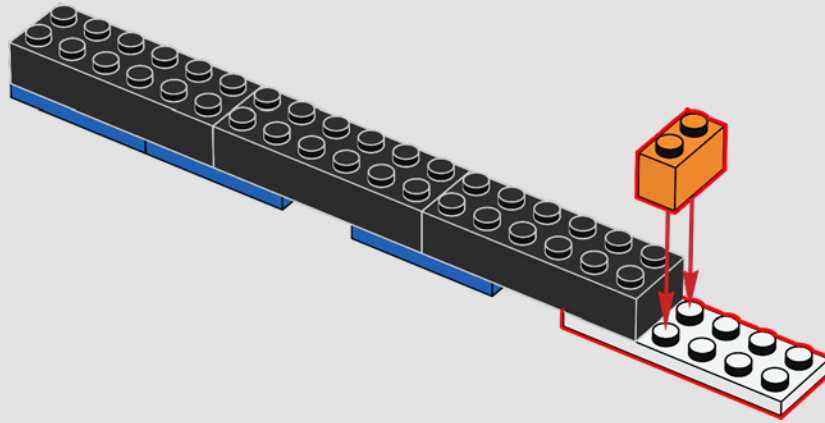


162

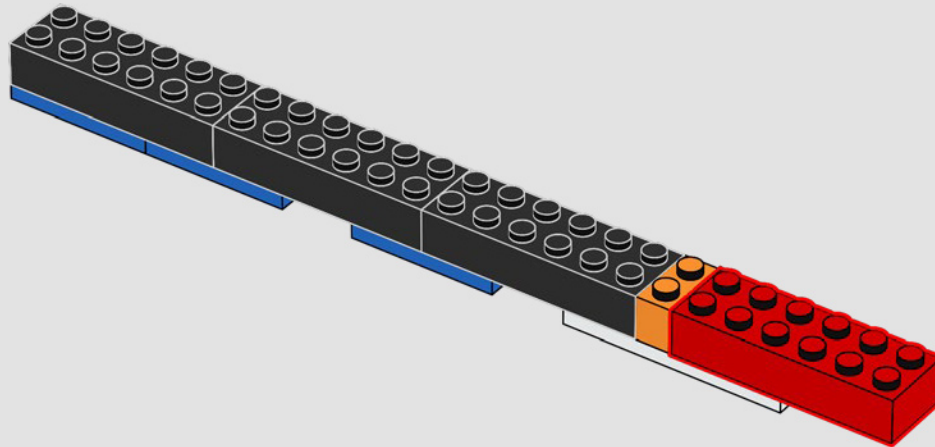


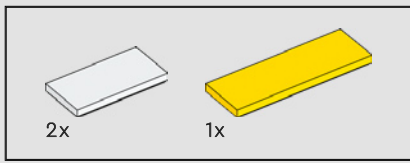


163

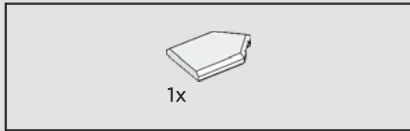
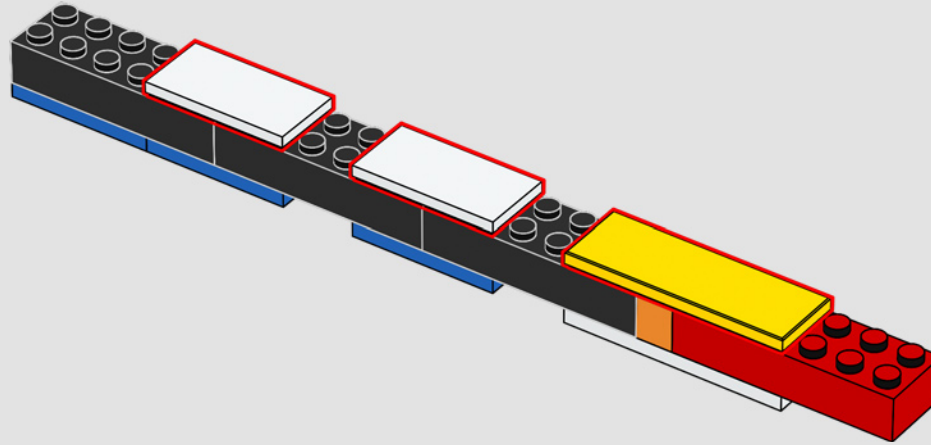


164

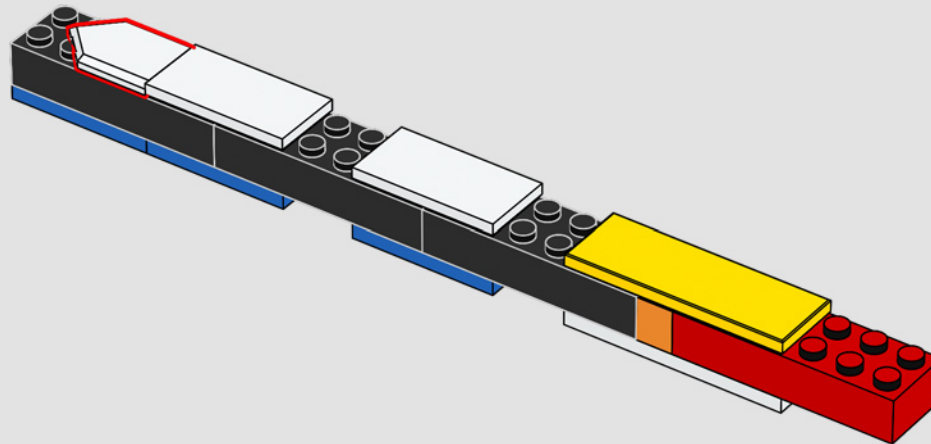


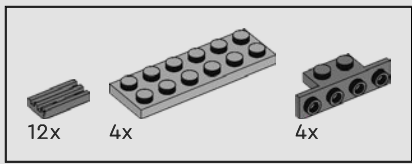


165

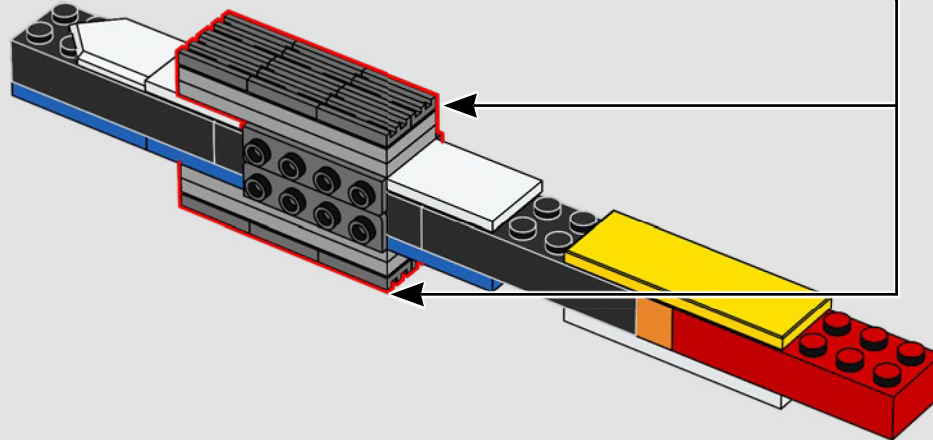
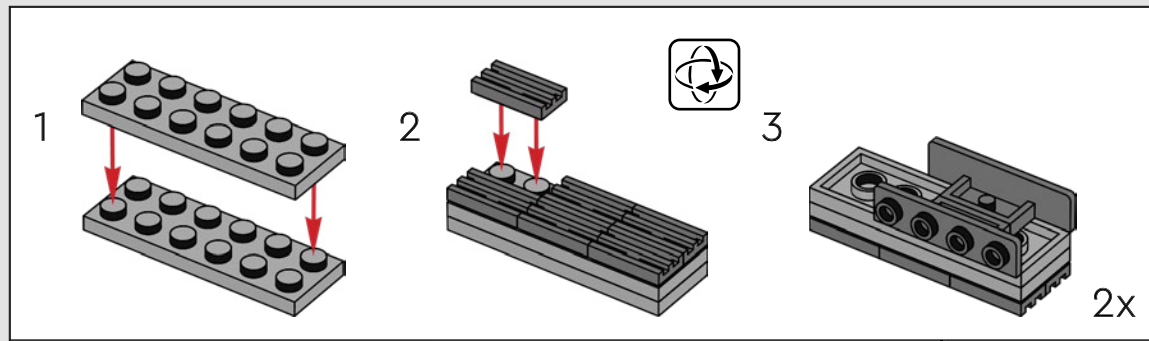


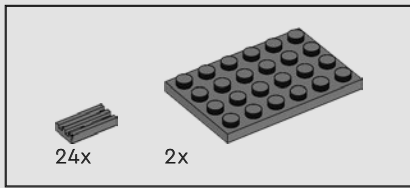
166



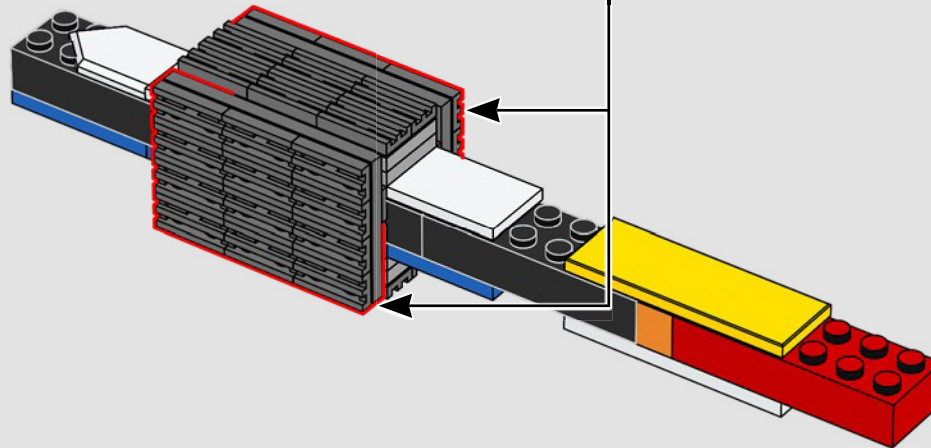
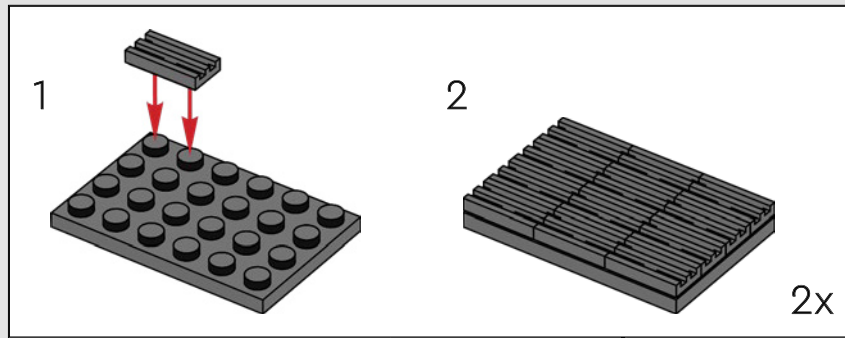


167

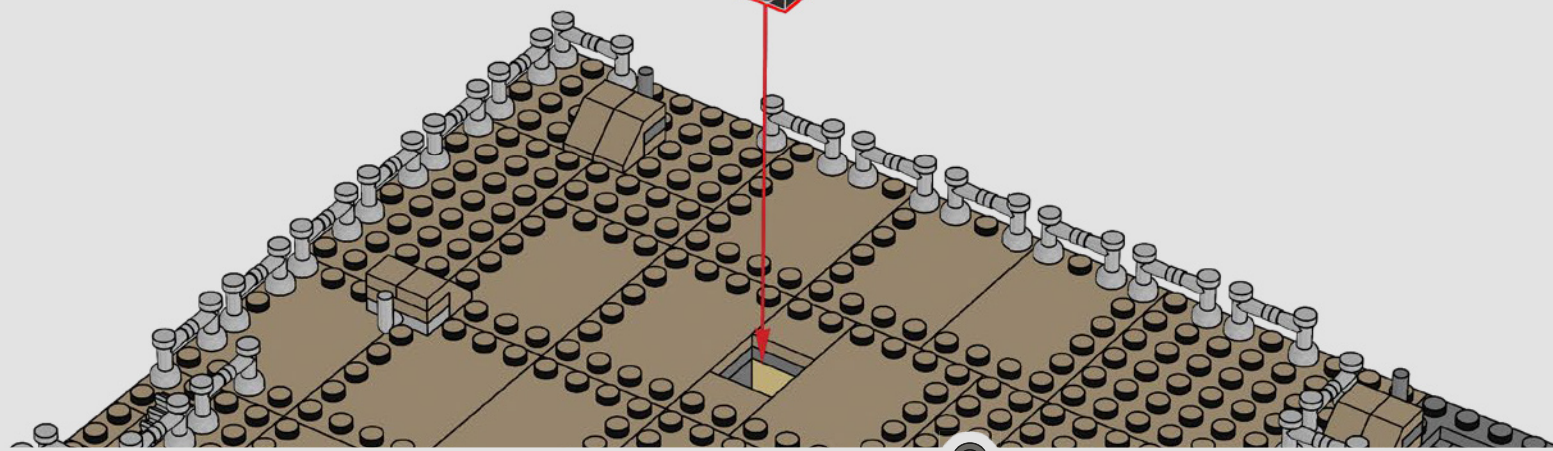
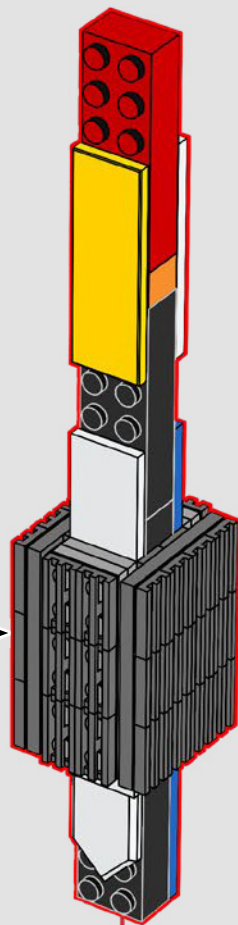


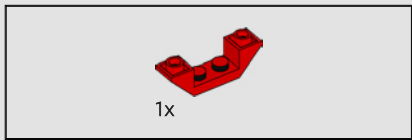


168

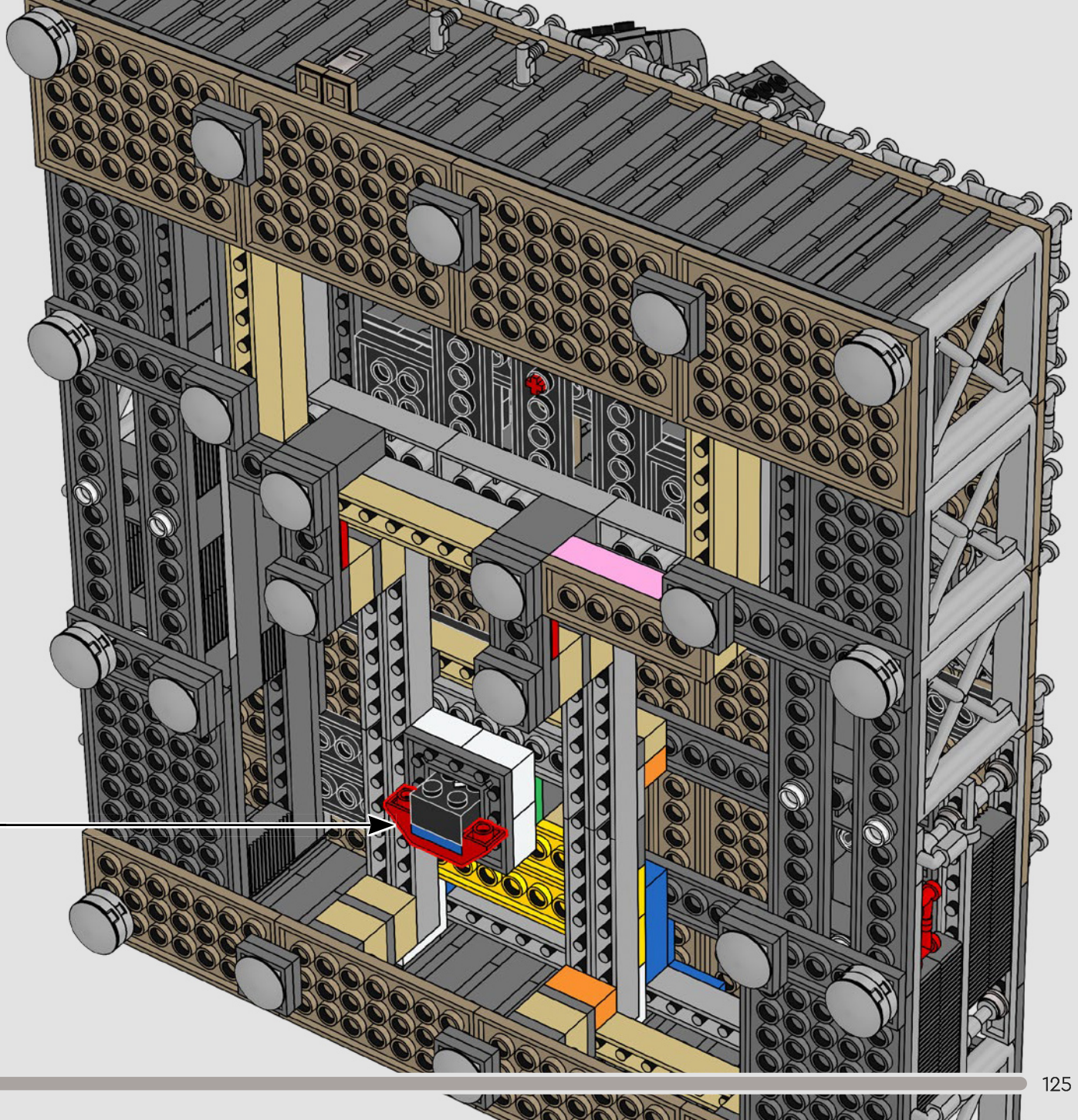
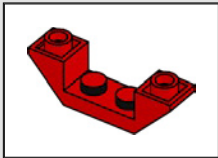


169





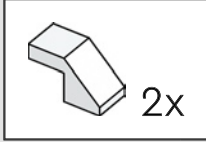
170



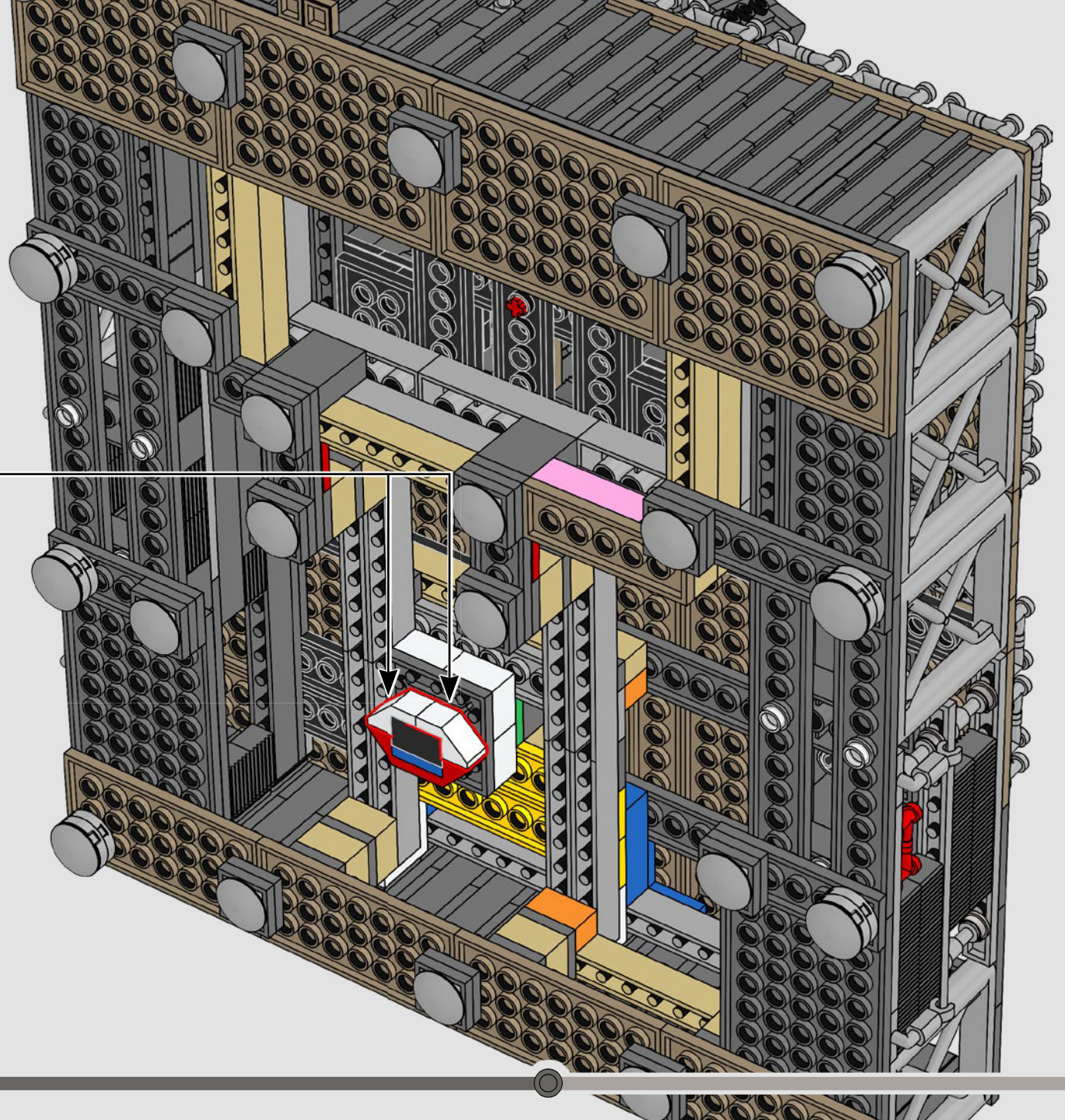


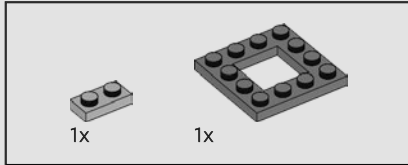
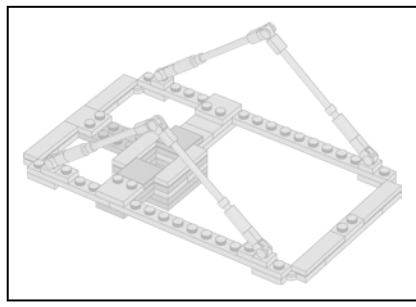
2x

171

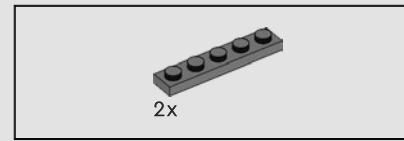
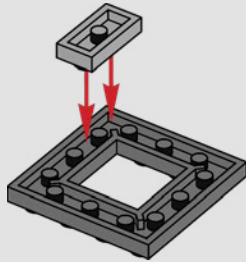


2x

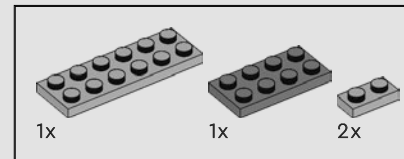
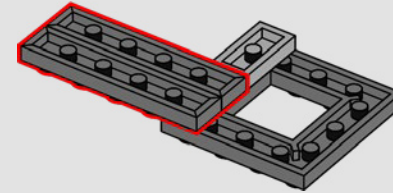




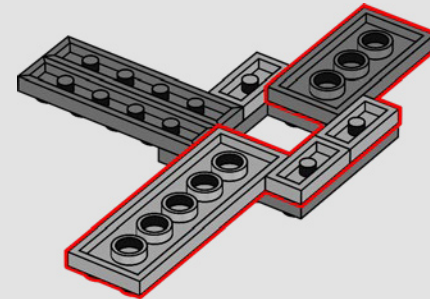
172

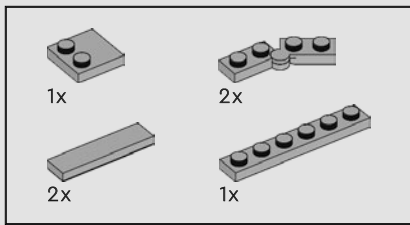


173

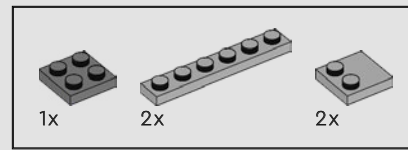
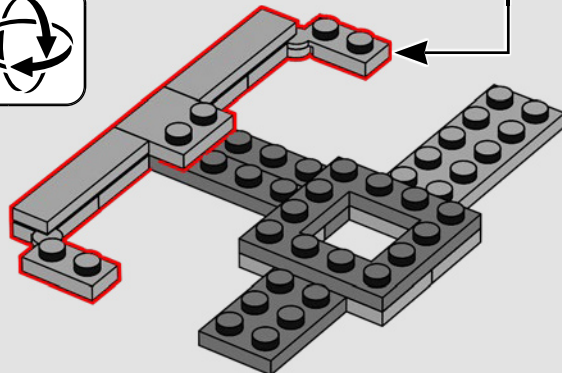
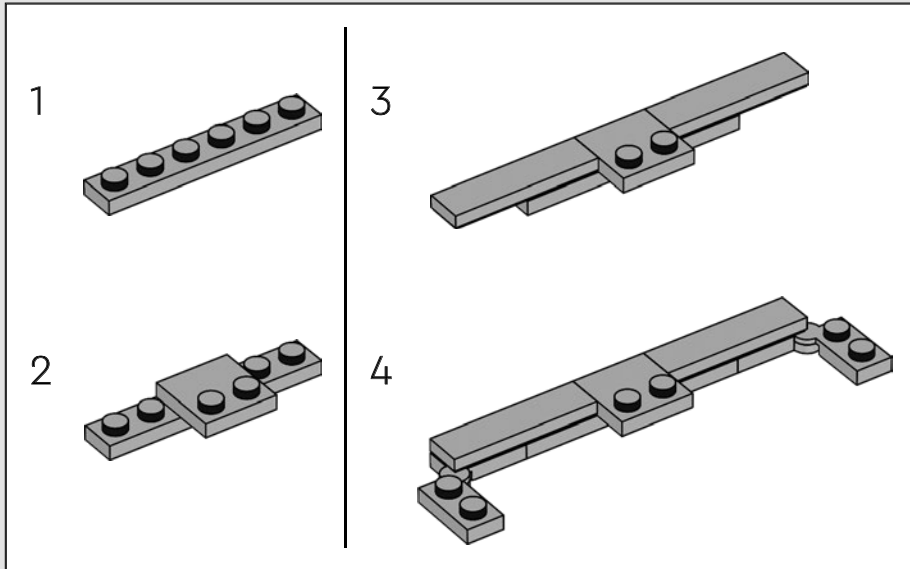


174

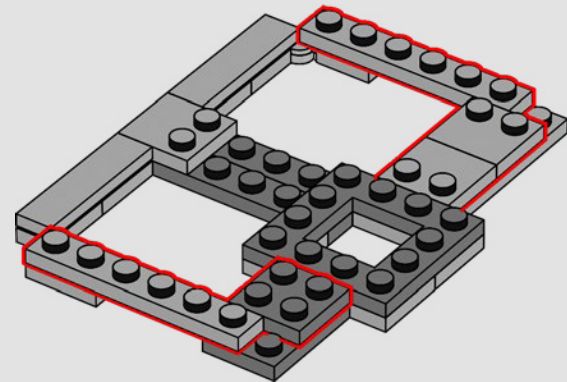


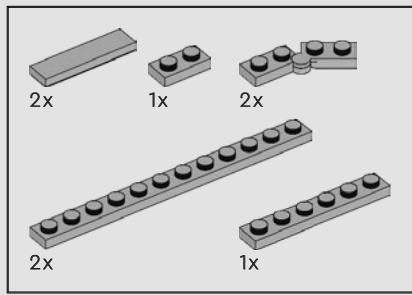


175



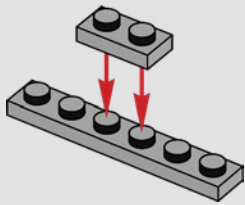
176



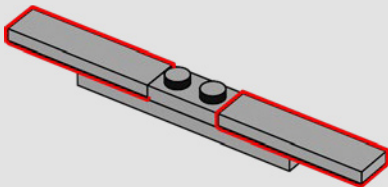


177

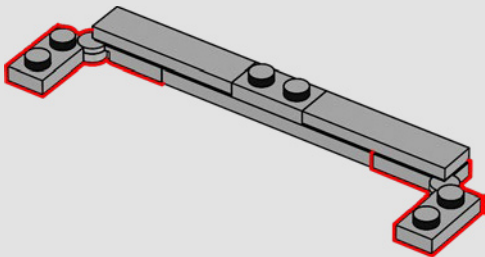
1



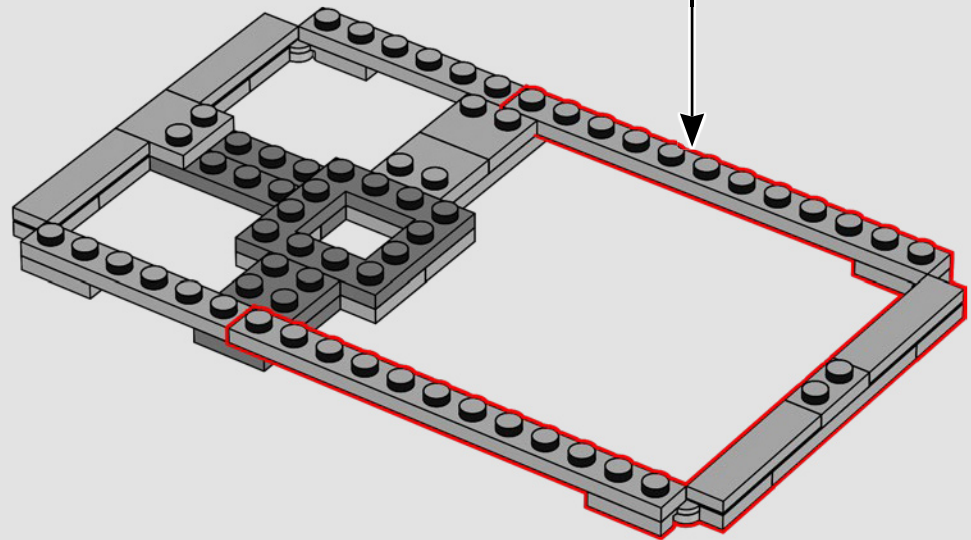
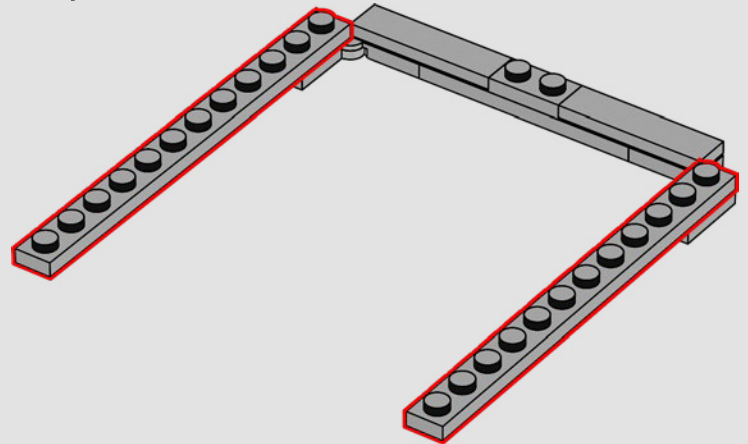
2

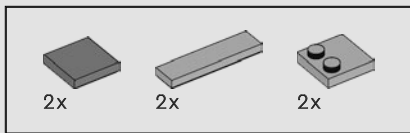


3

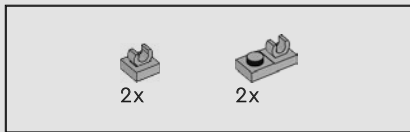
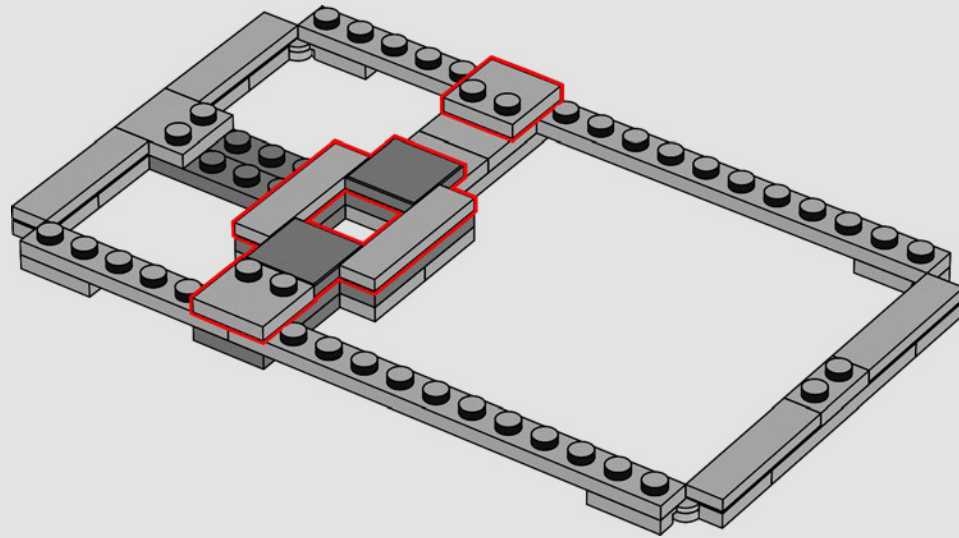


4

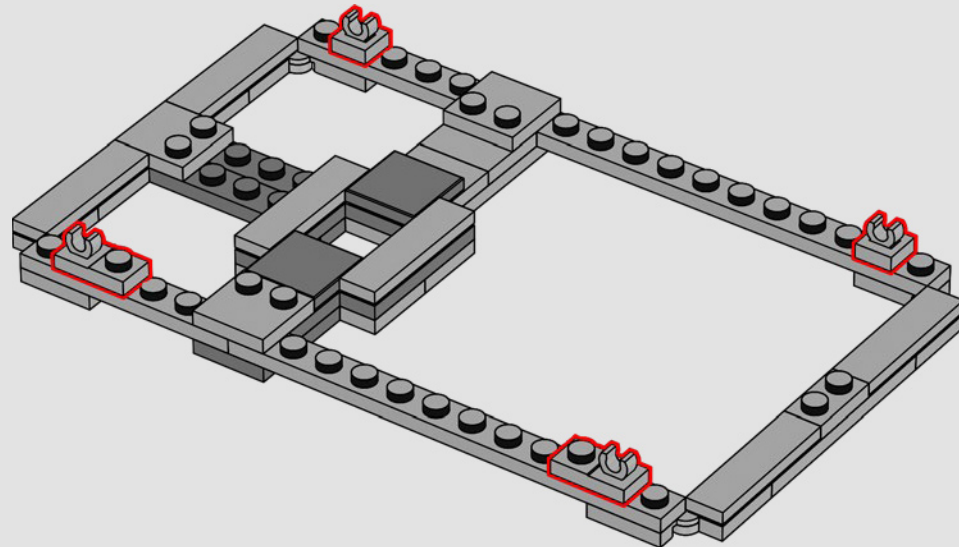


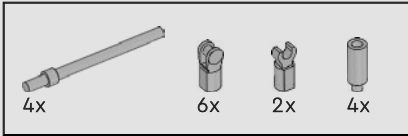
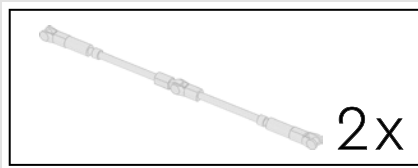


178

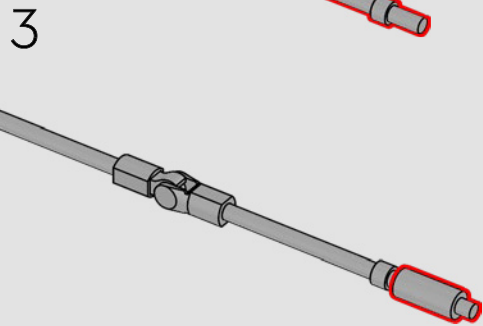
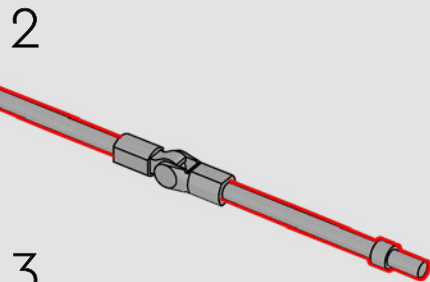
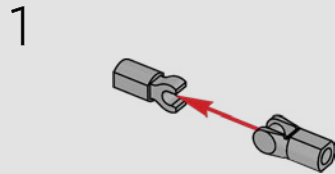


179

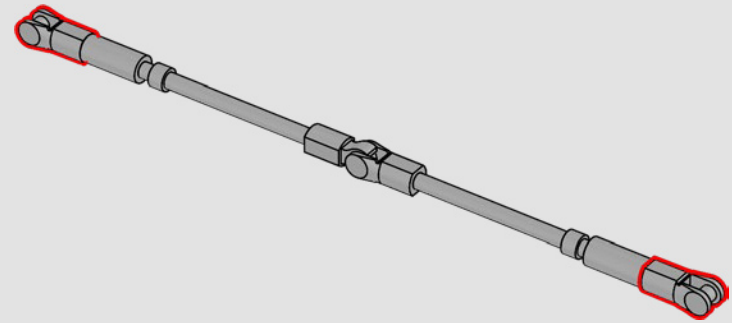




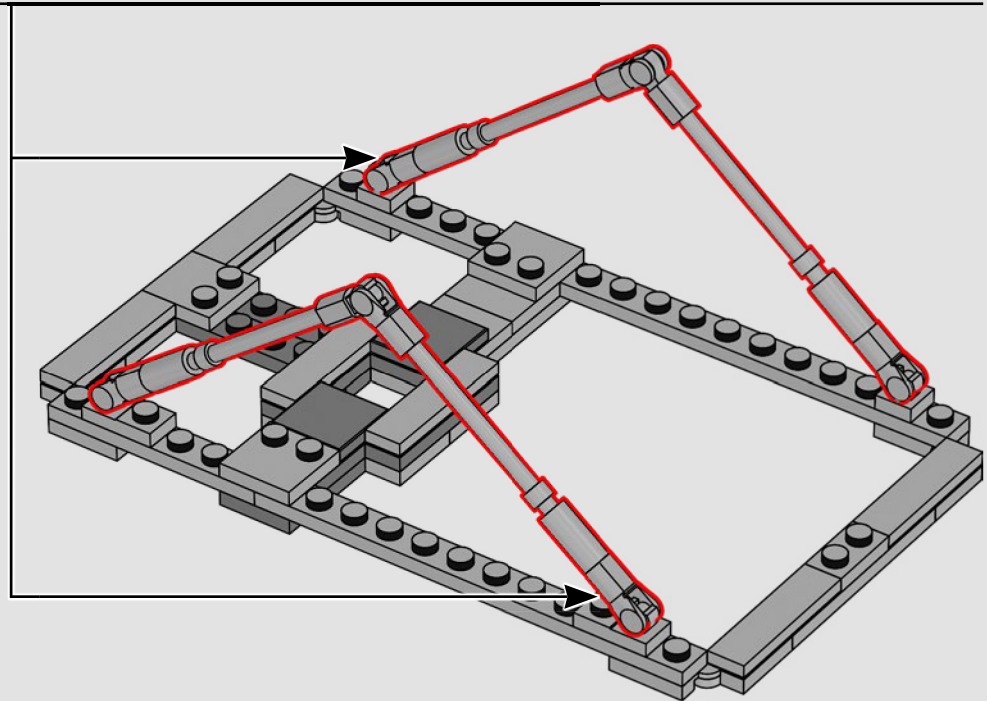
180

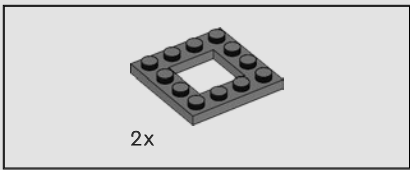


4

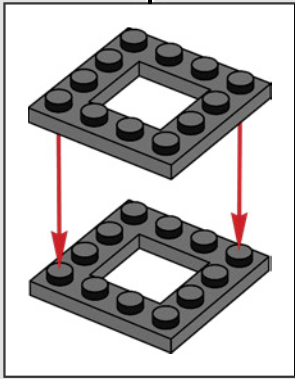
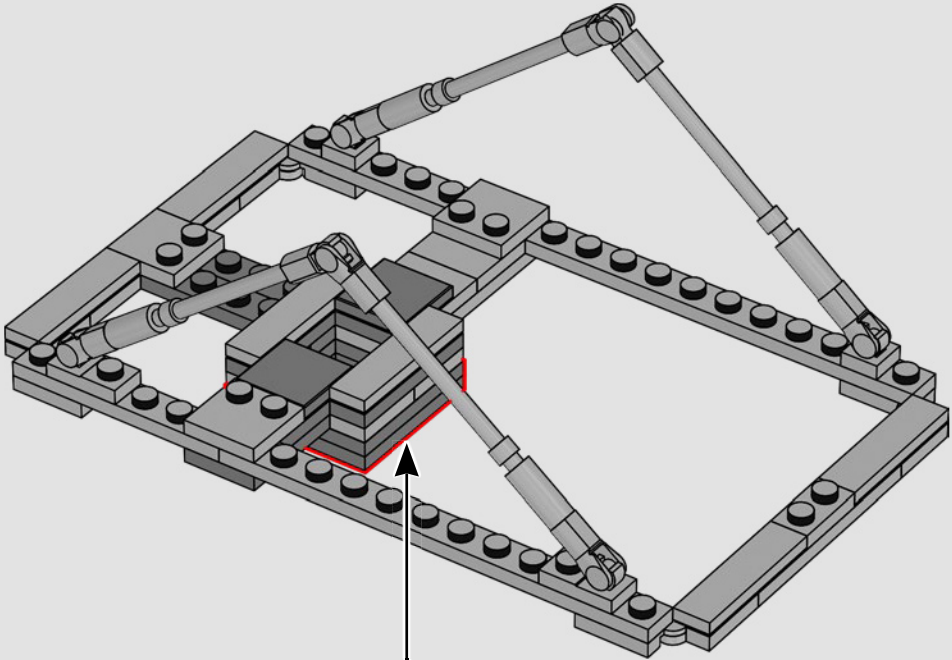


2x

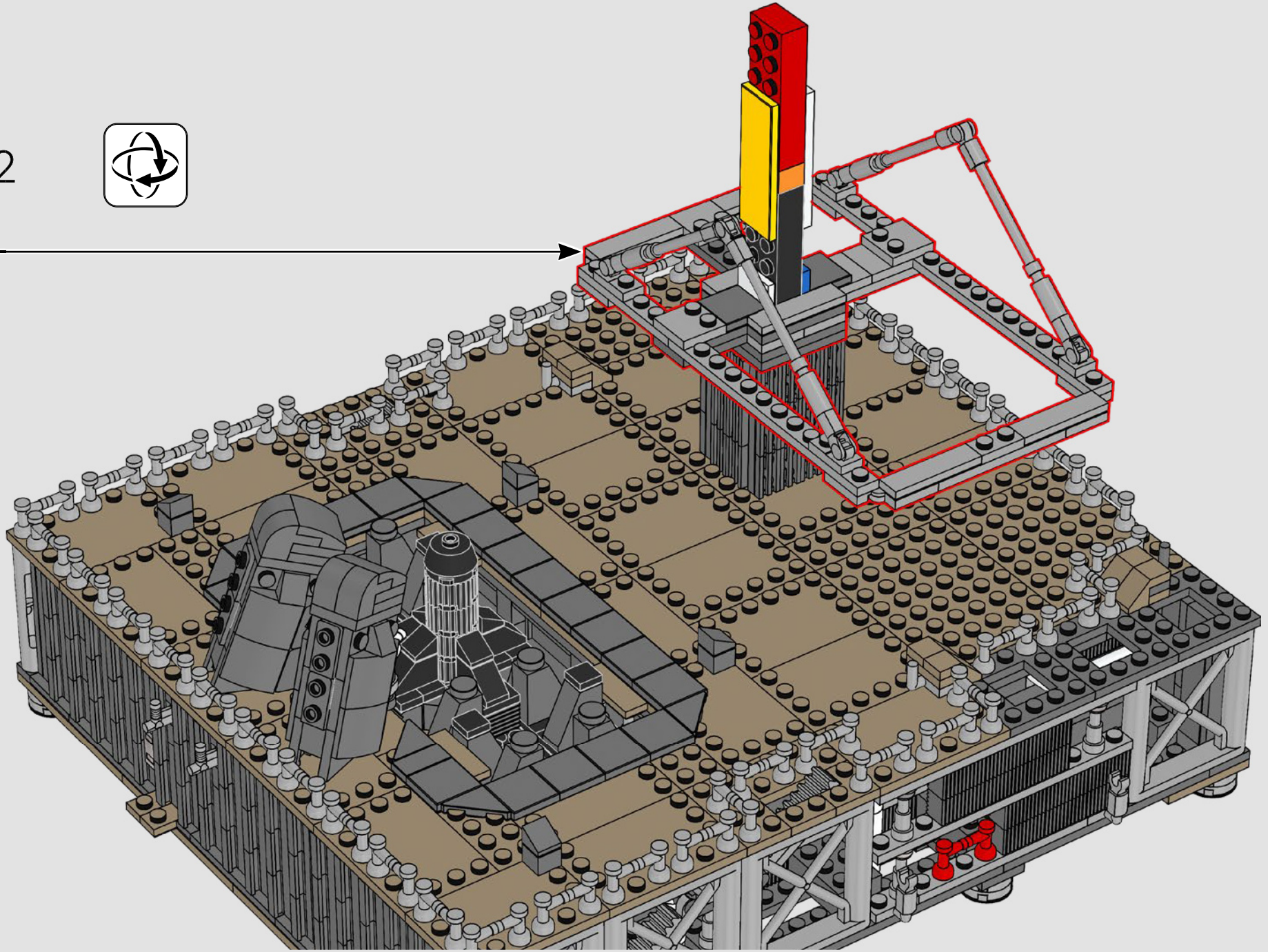


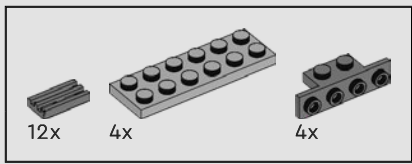


181

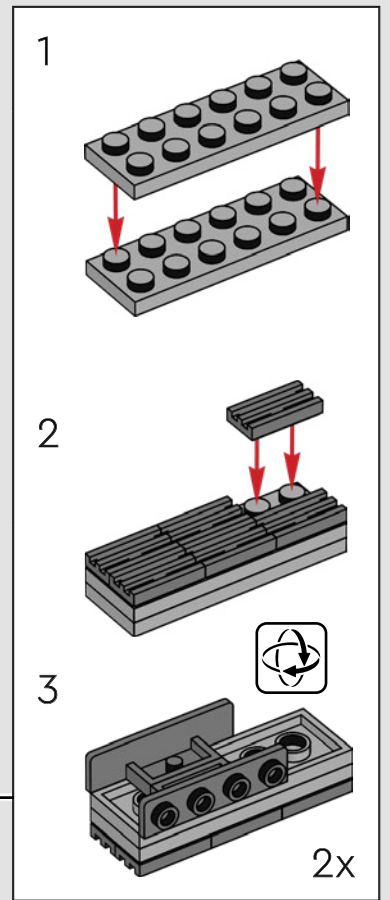
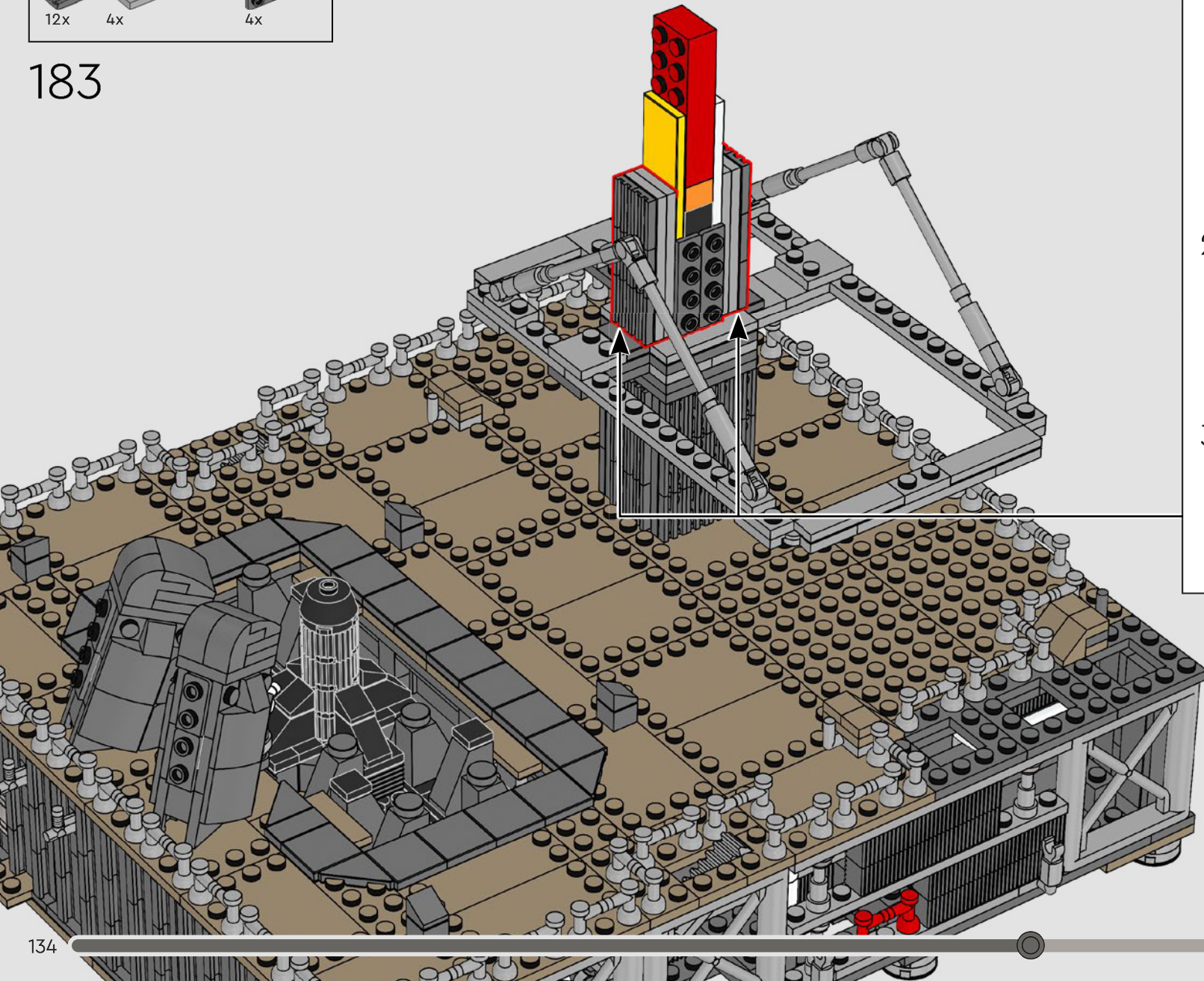


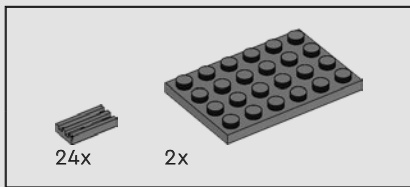
182



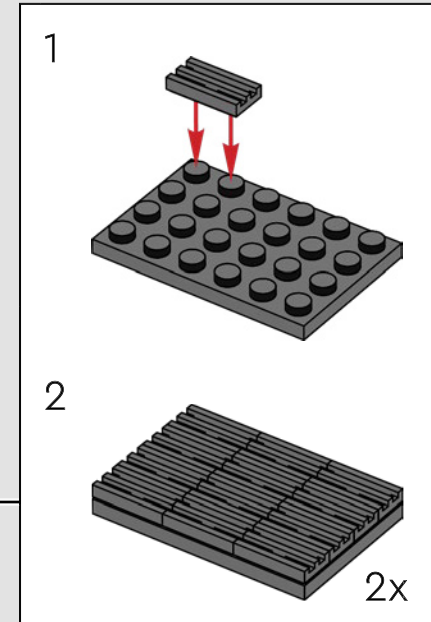
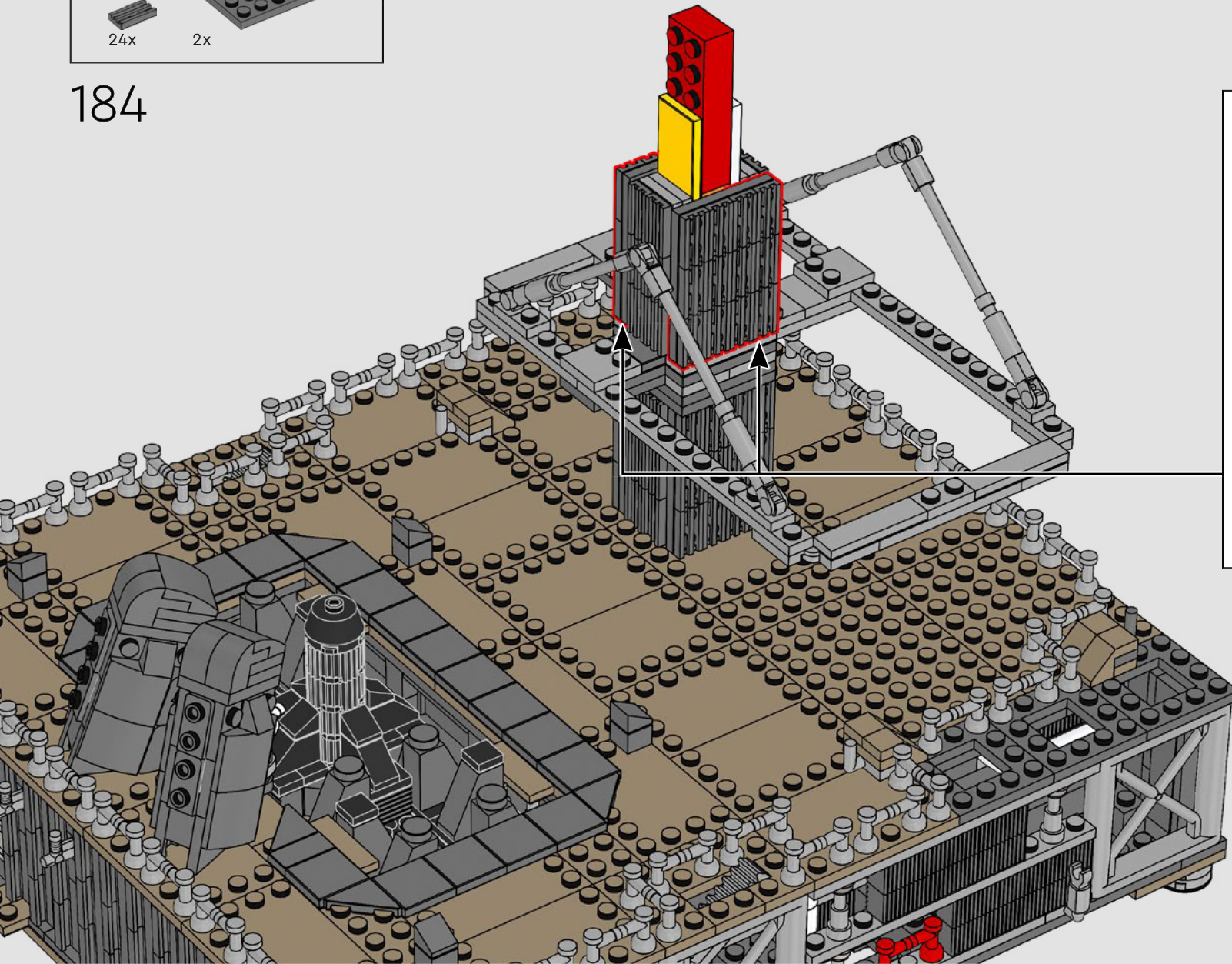


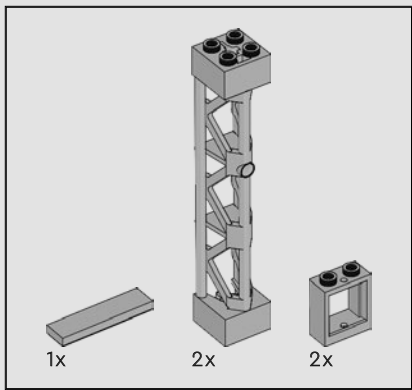
183



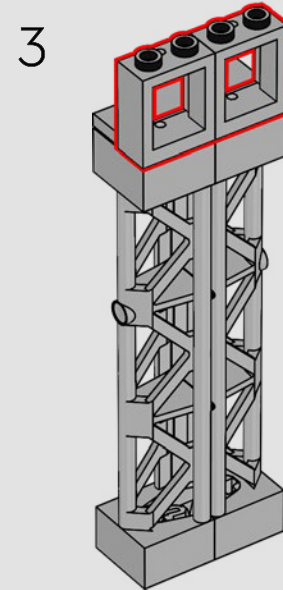
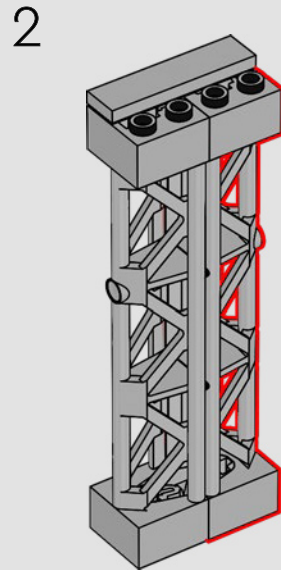
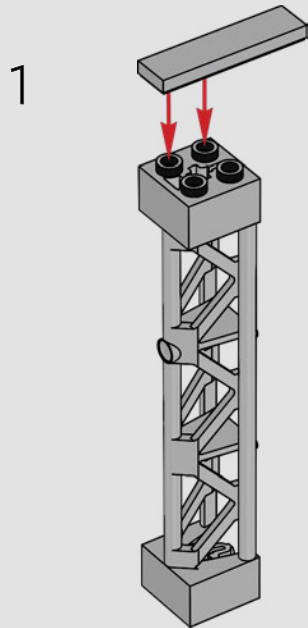


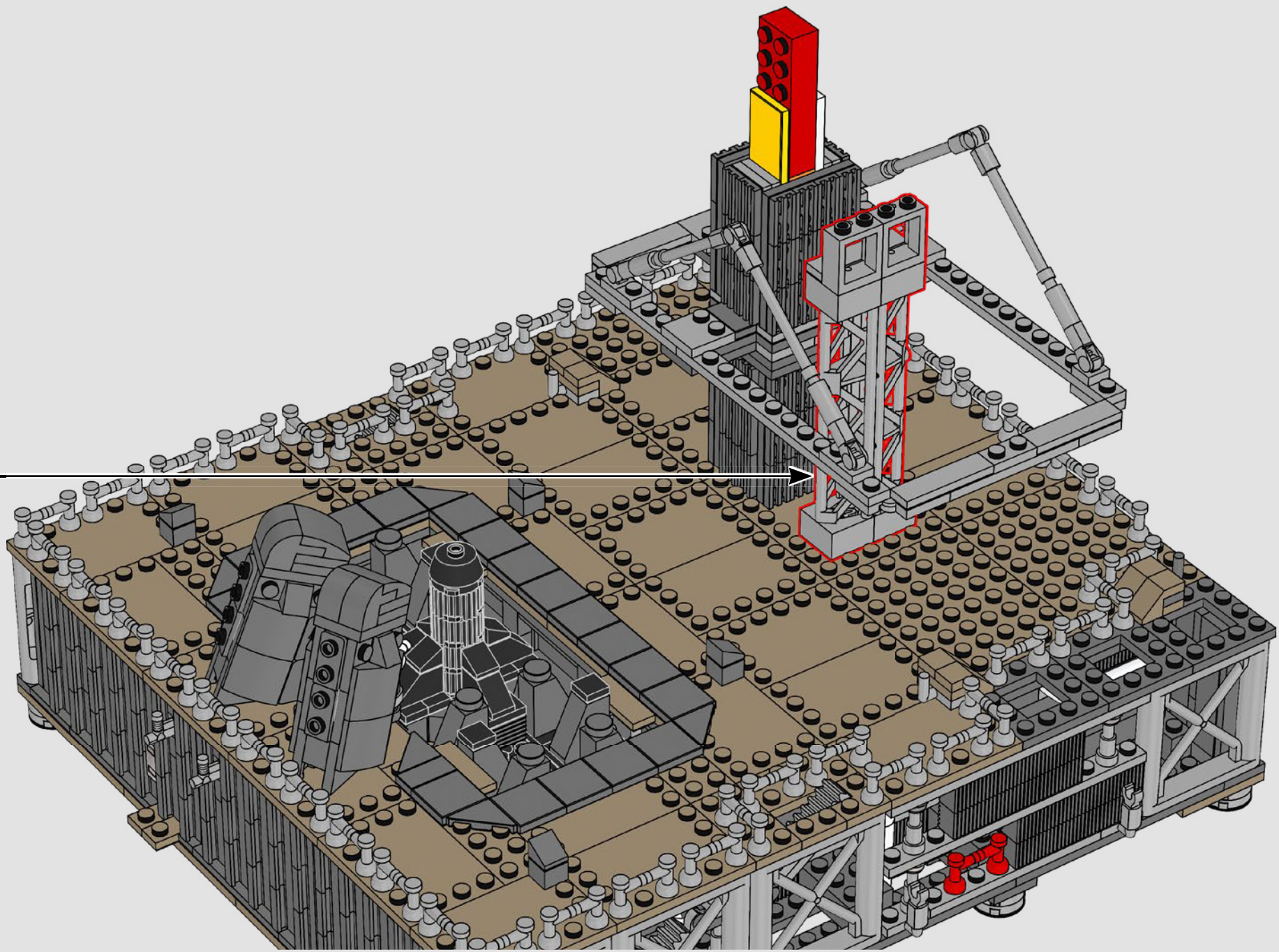
184

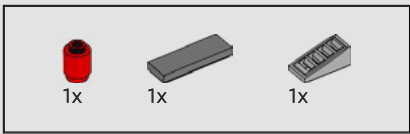




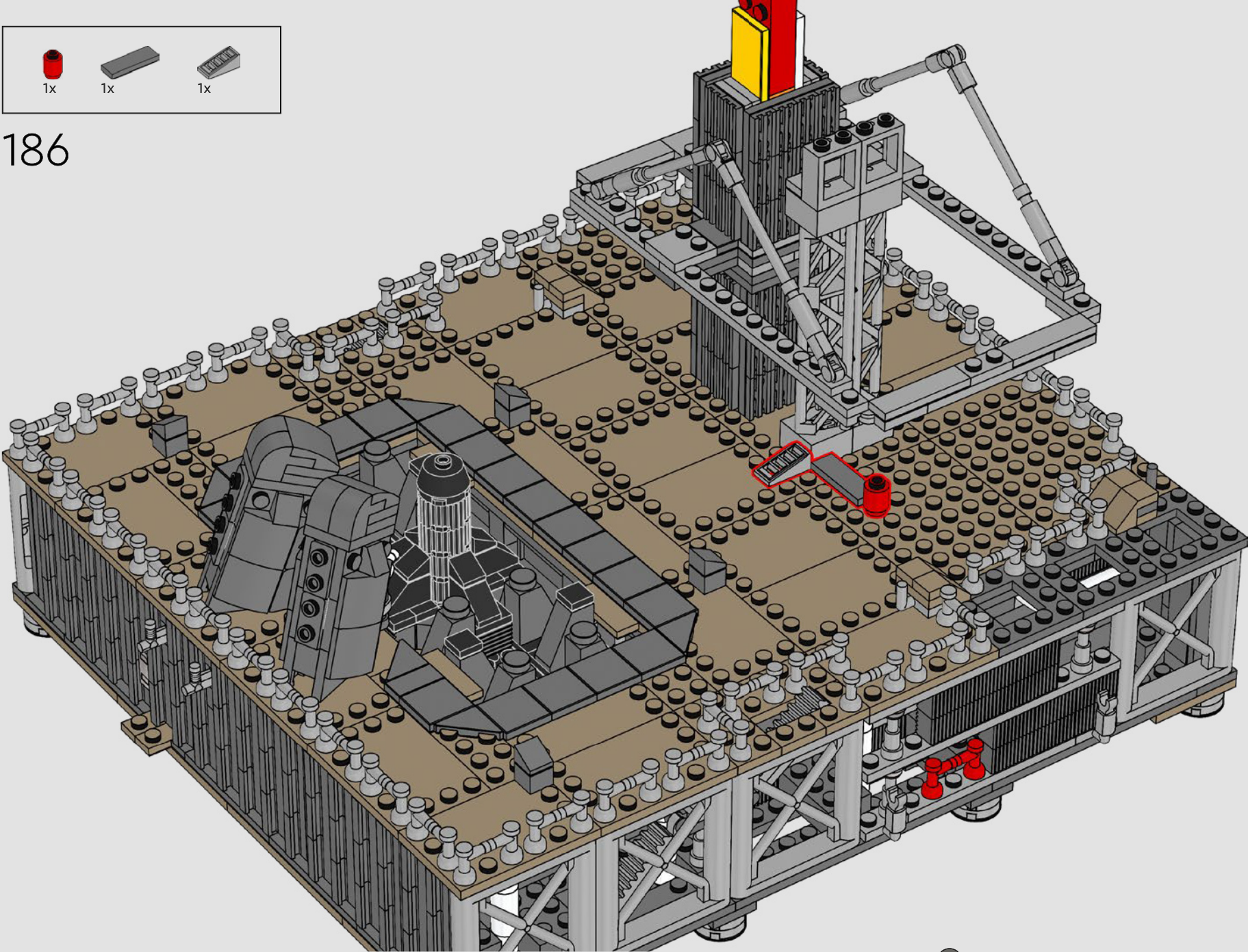
185

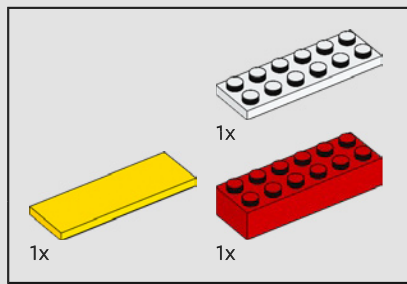




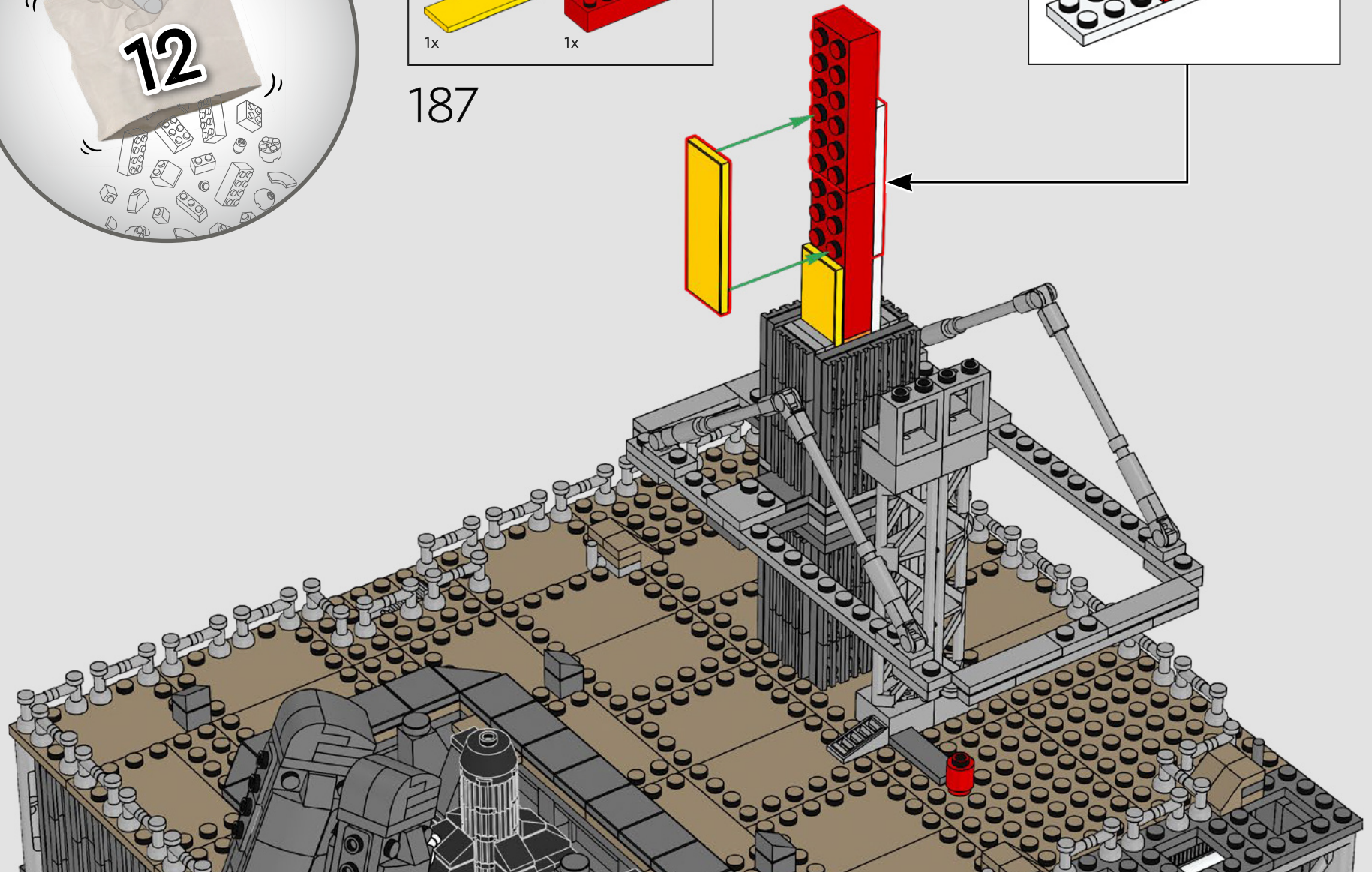
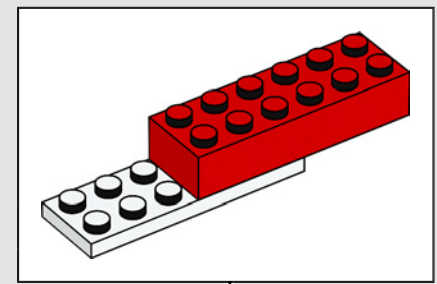


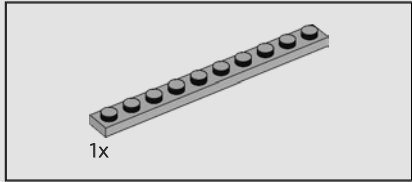
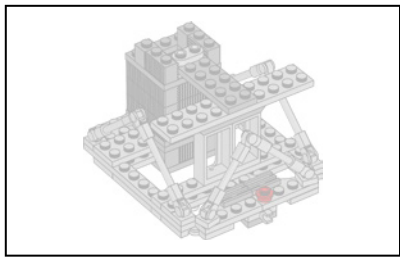
186



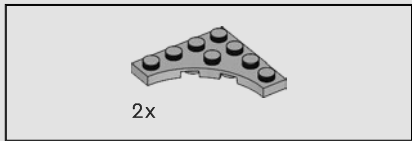
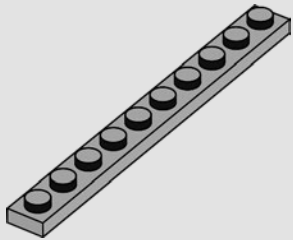


187

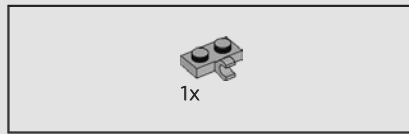
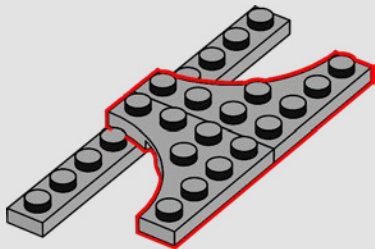




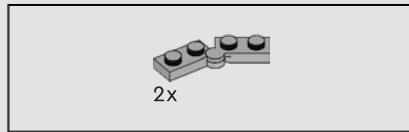
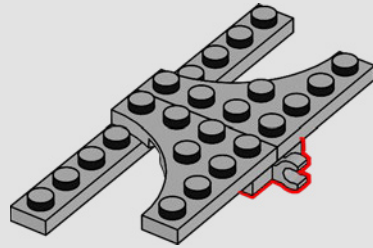
188



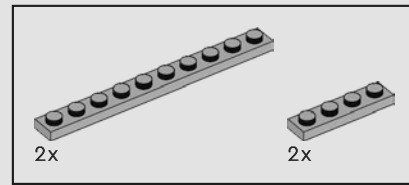
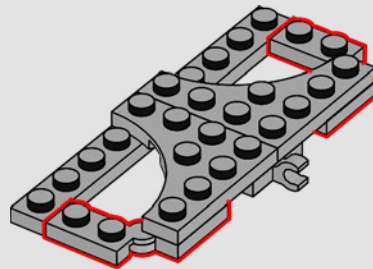
189



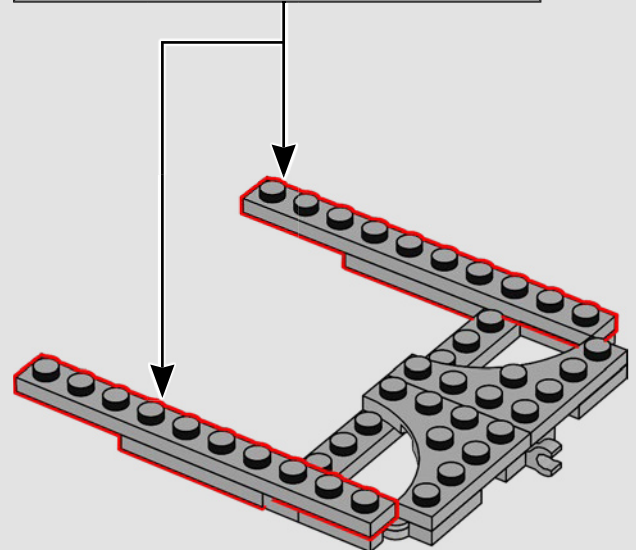
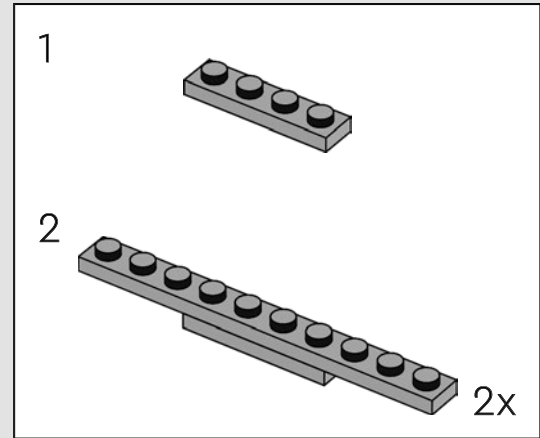
190

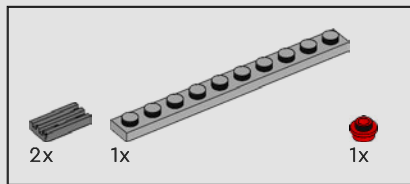


191

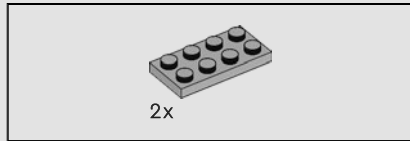
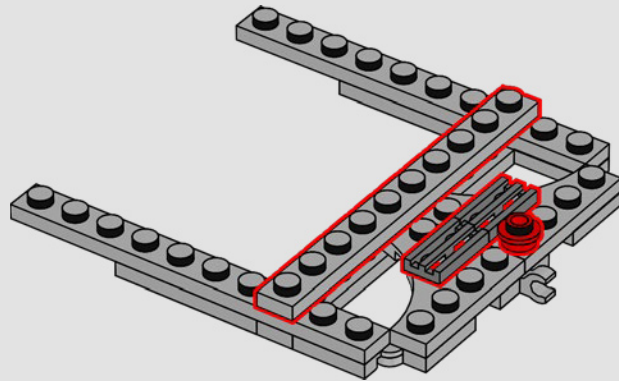


192

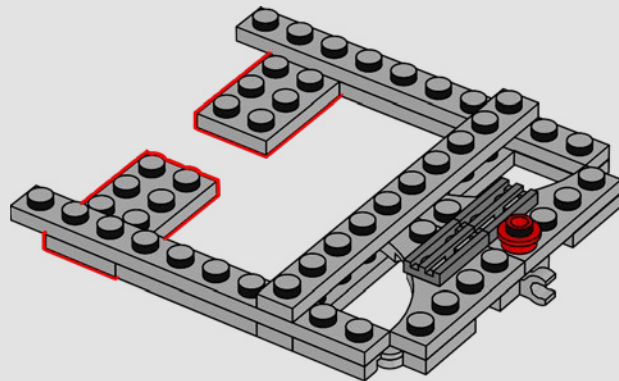




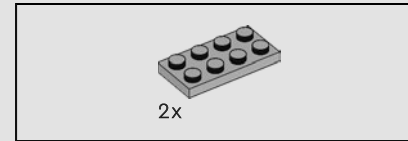
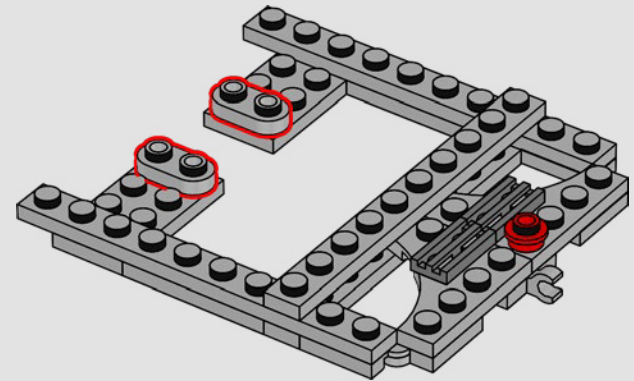
193



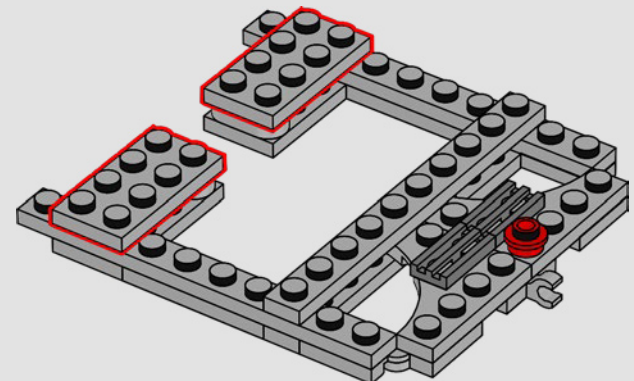
194

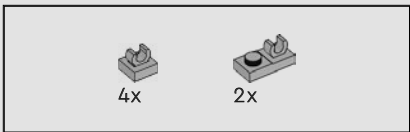


195

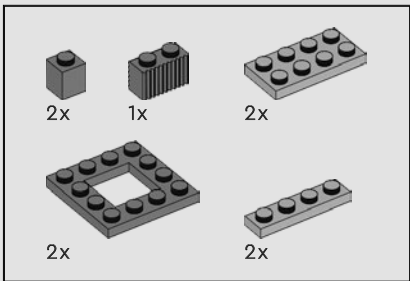
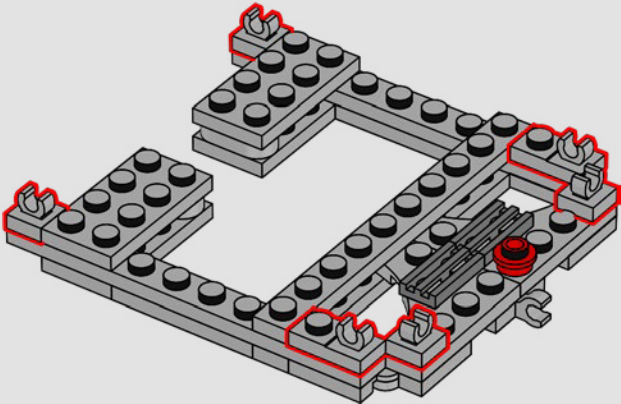


196

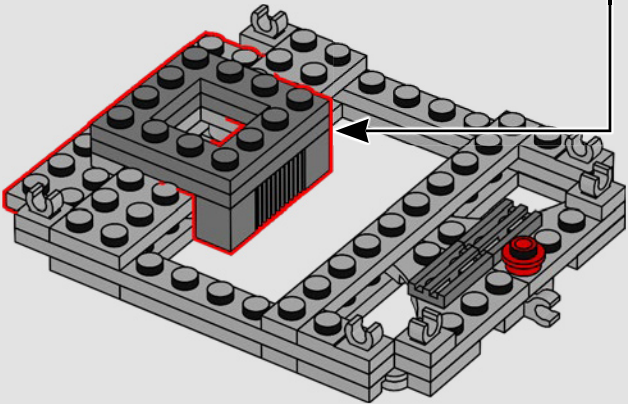
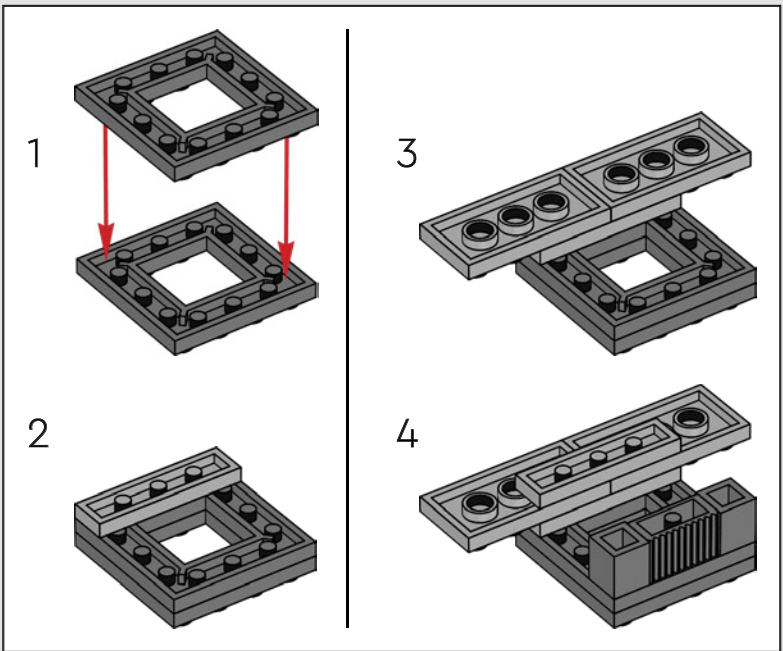


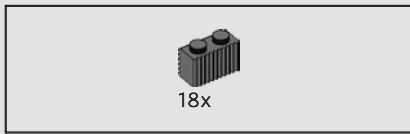


197

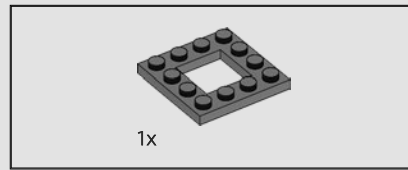
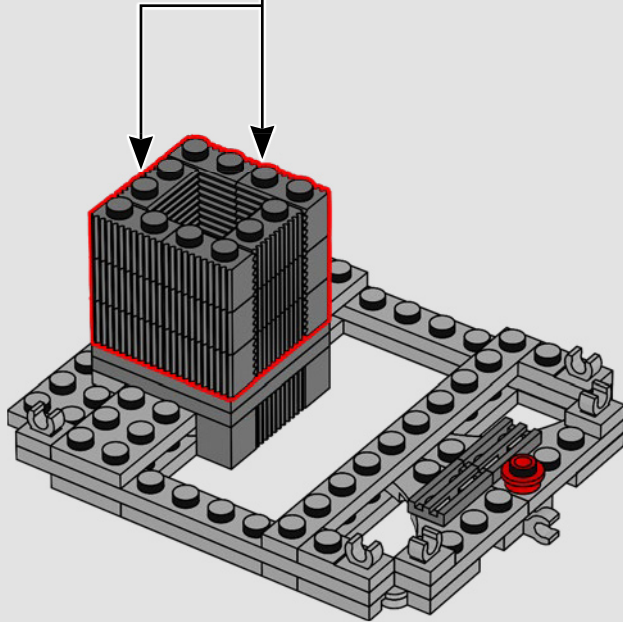
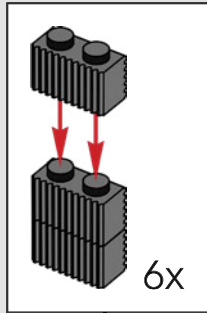


198

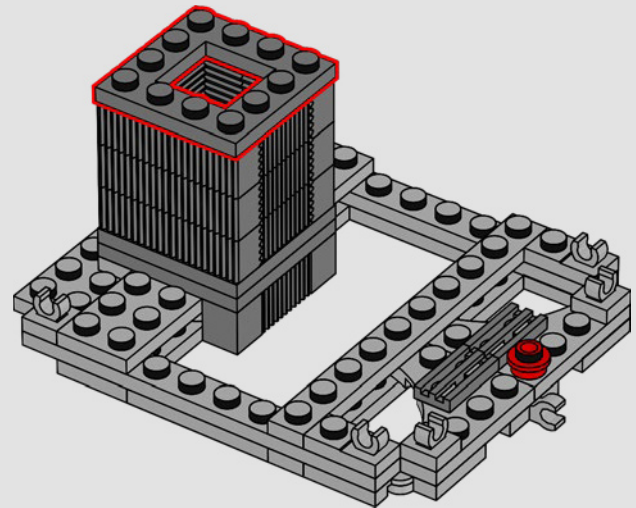


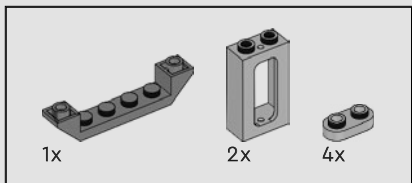


199

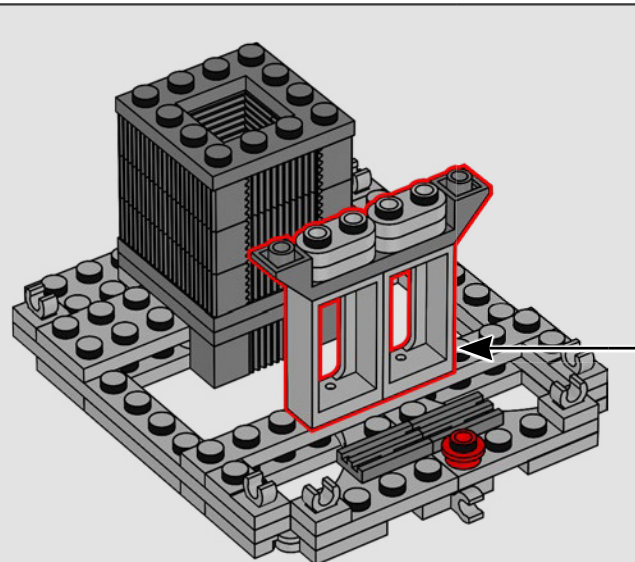
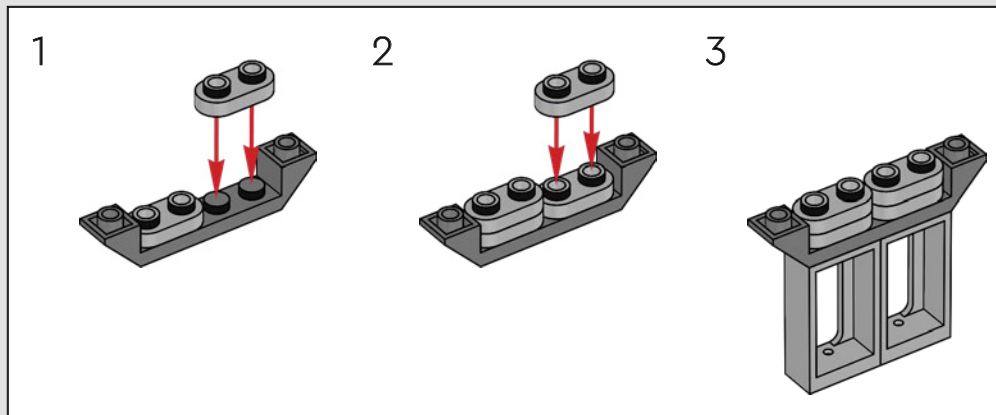


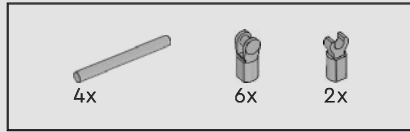
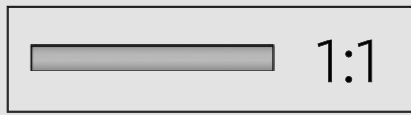
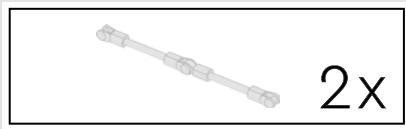
200



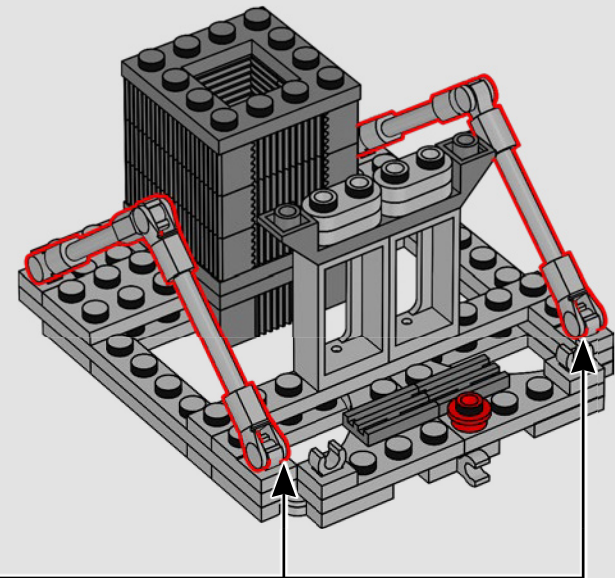
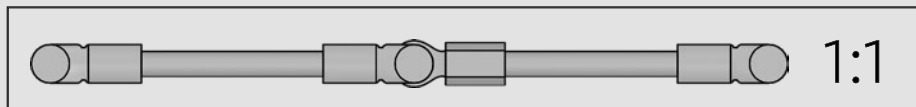
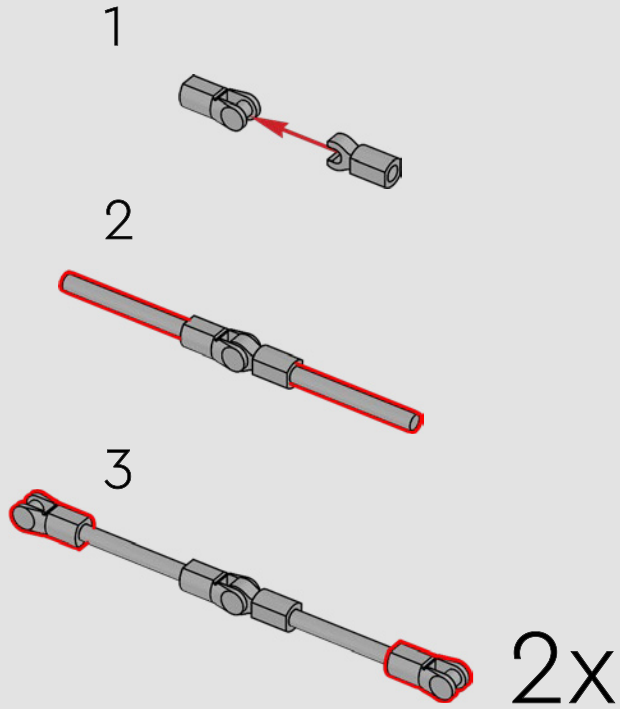


201





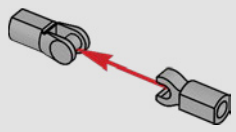
202



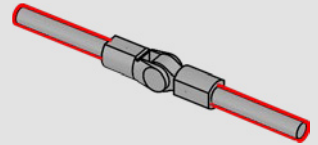


203

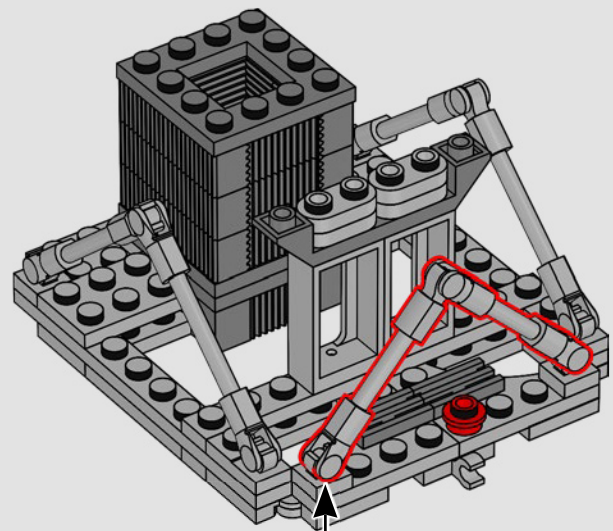
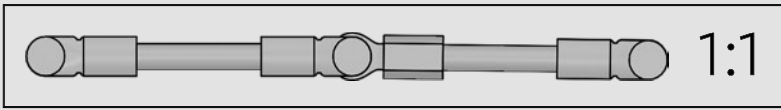
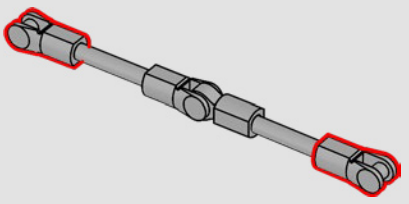
1

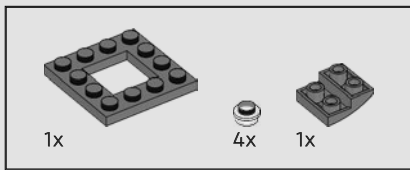


2

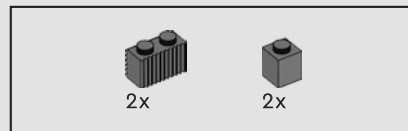
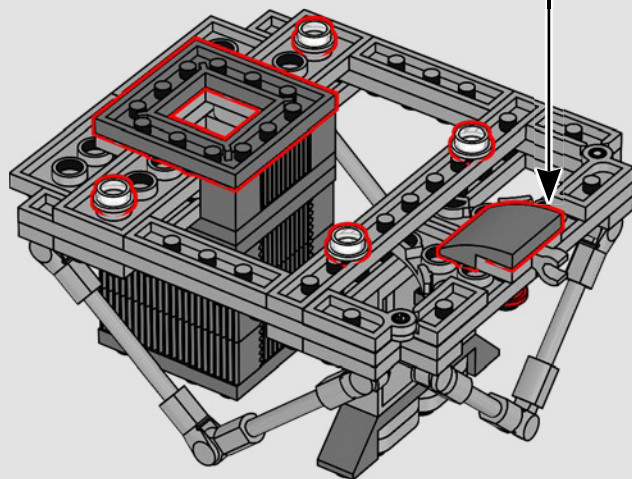
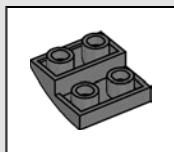


3

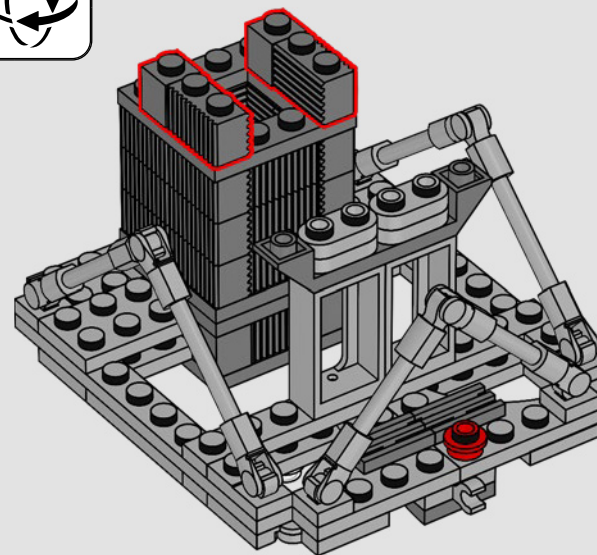


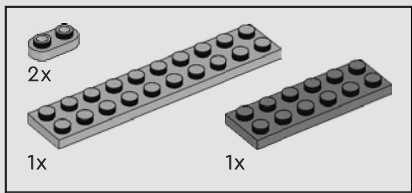


204

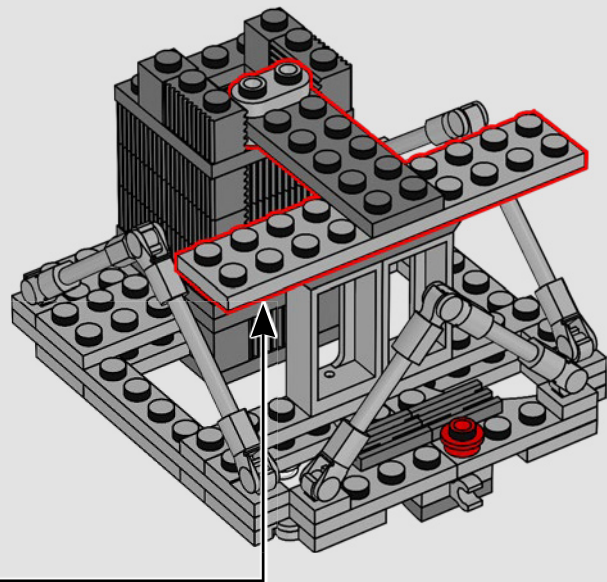
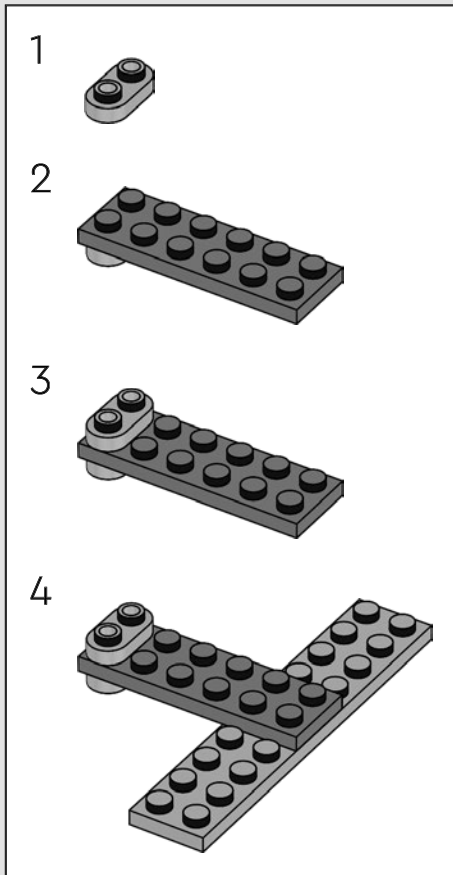


205

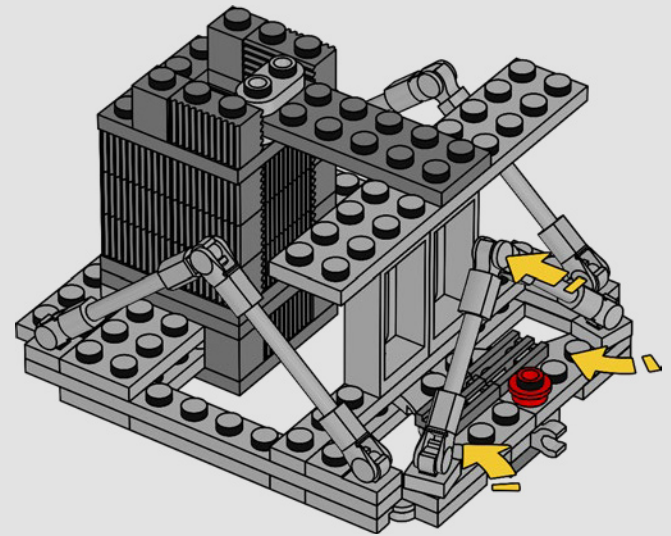




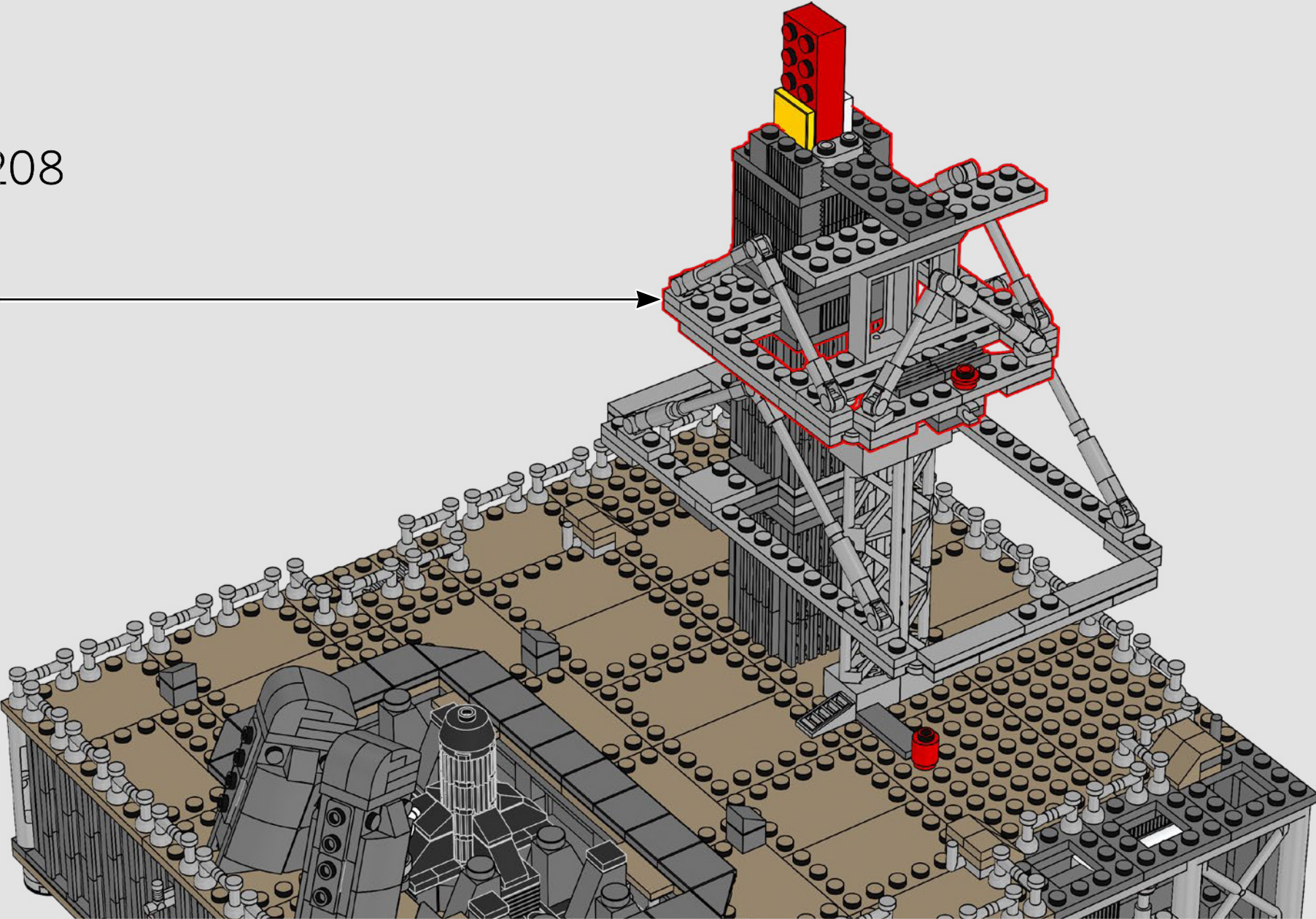
206

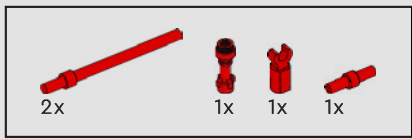


207



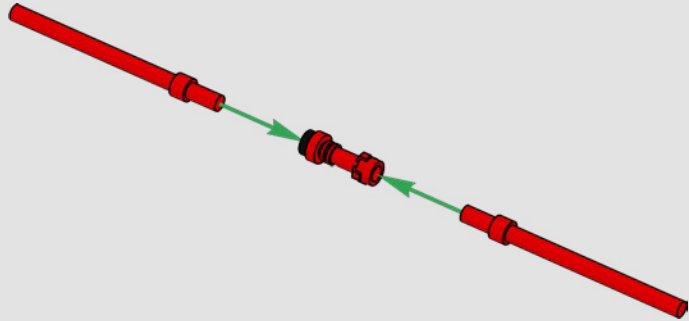
208



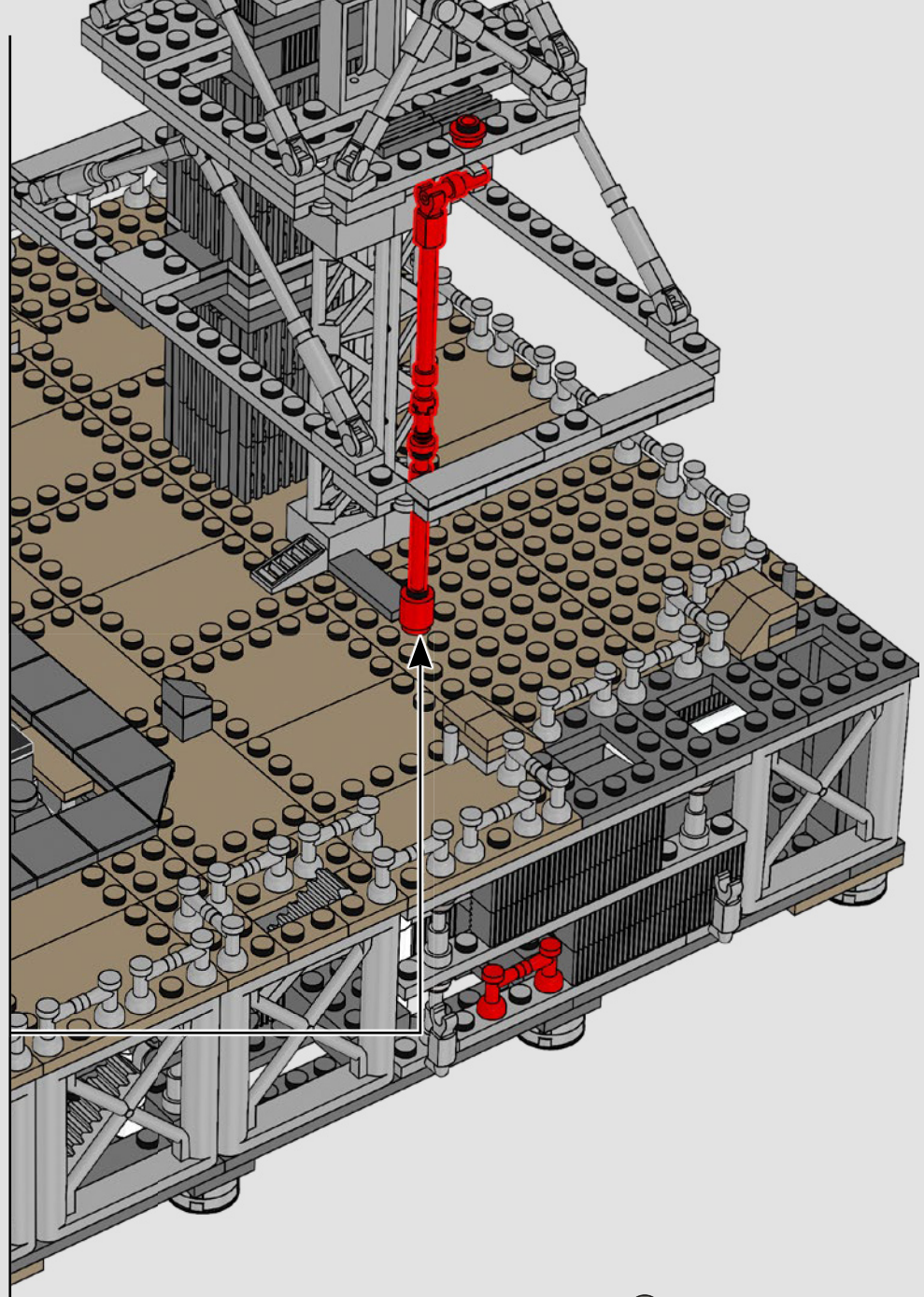
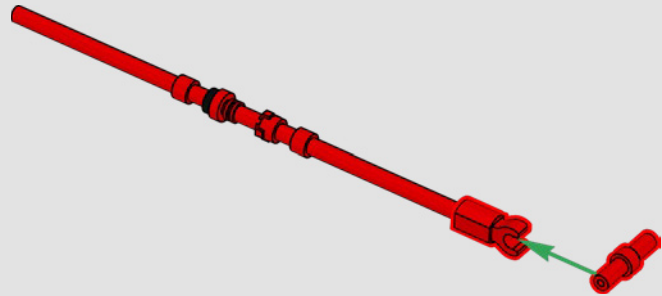


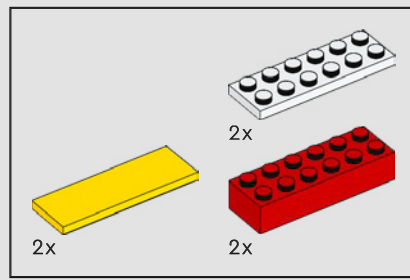
209

1

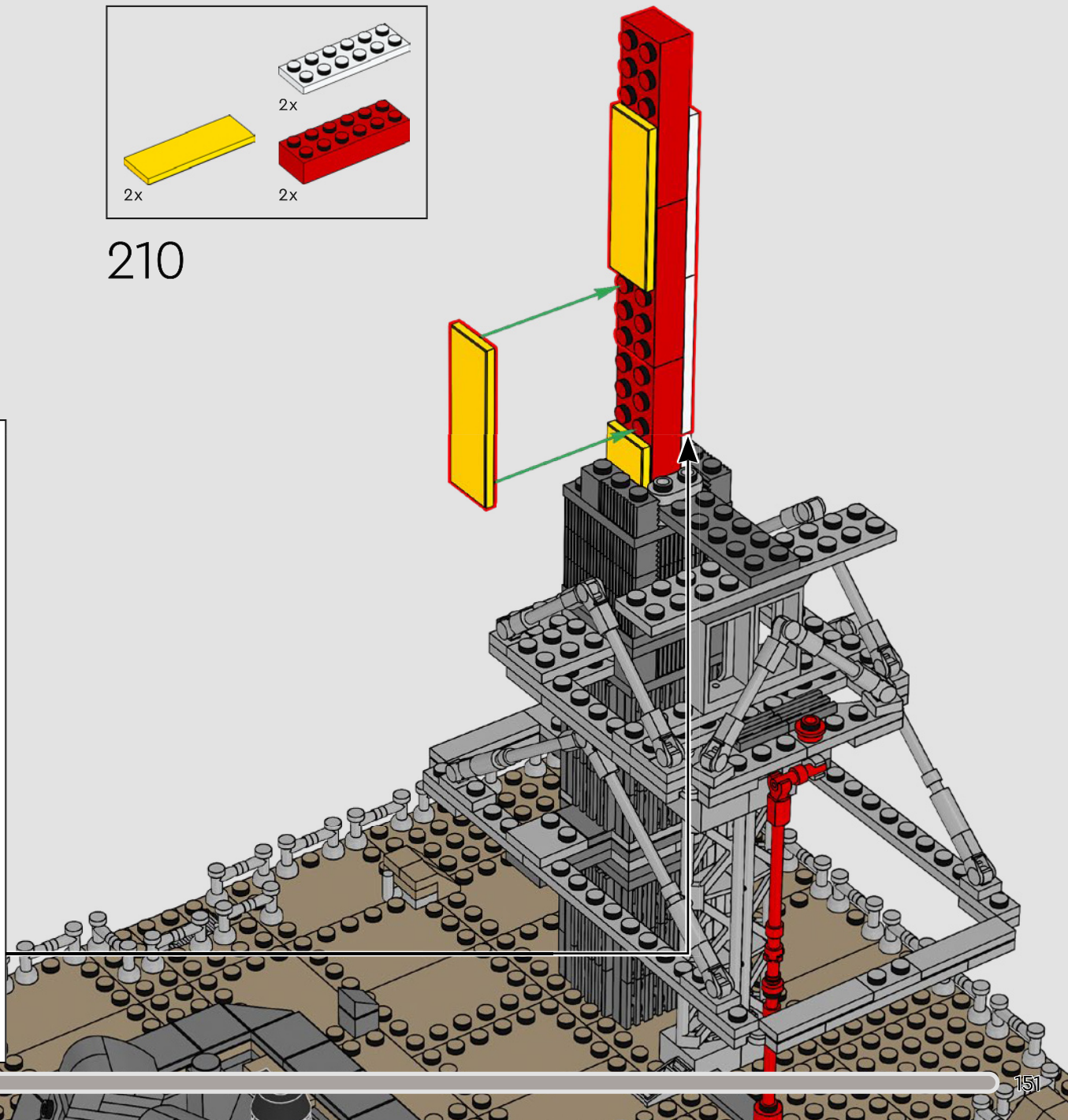
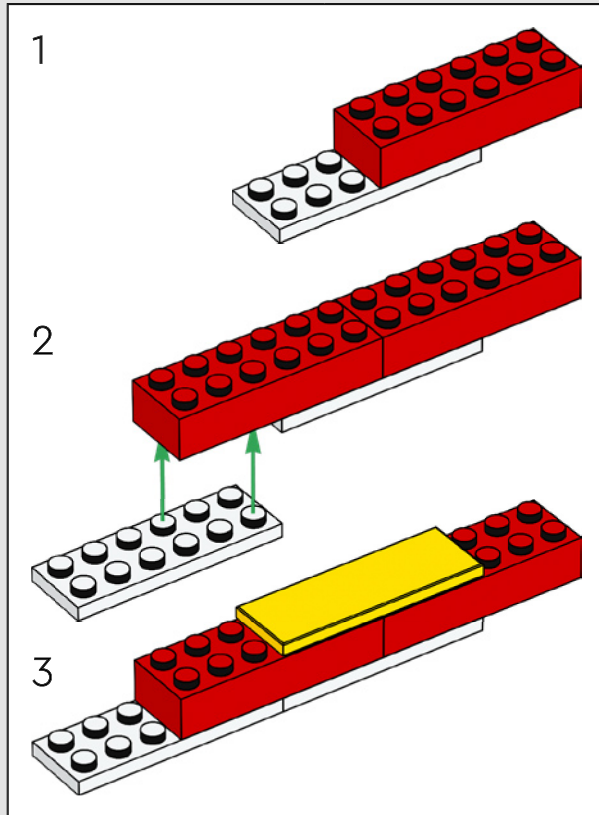


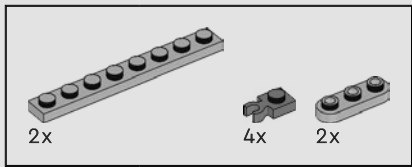
2



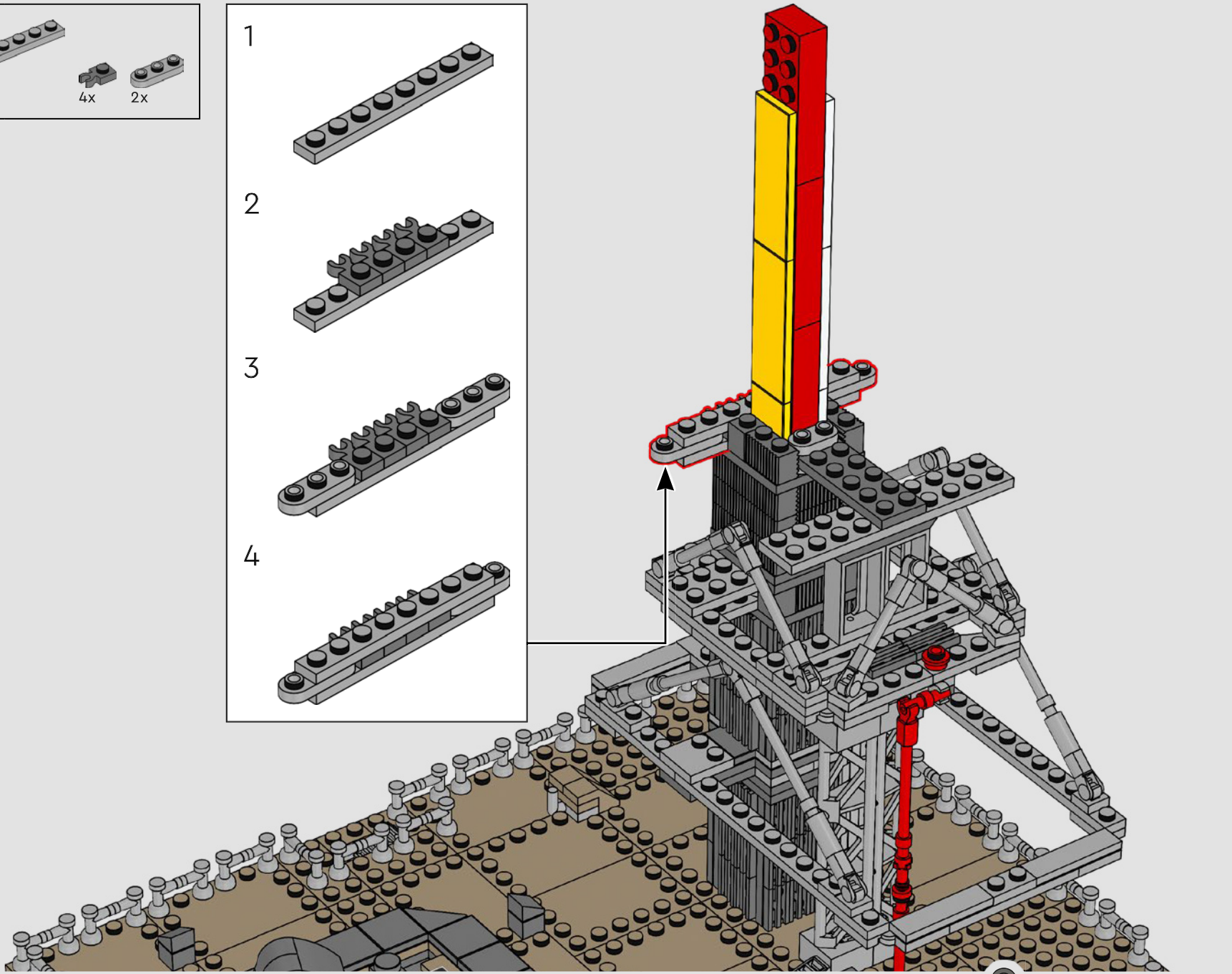
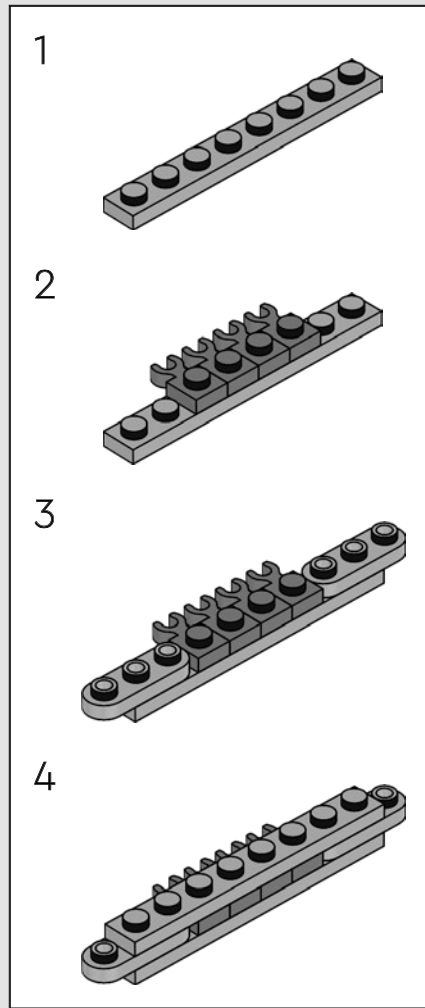


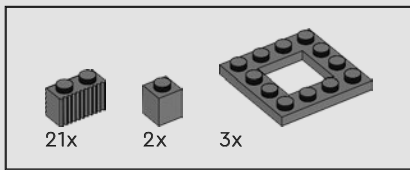
210





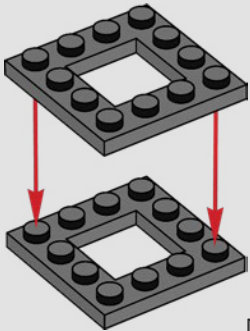
211



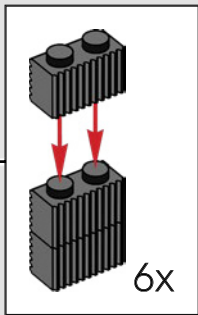
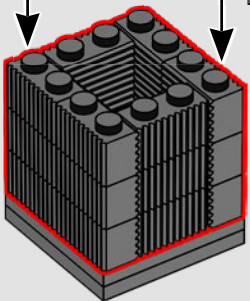


212

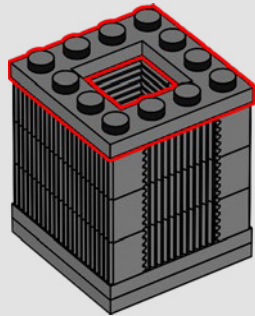
1



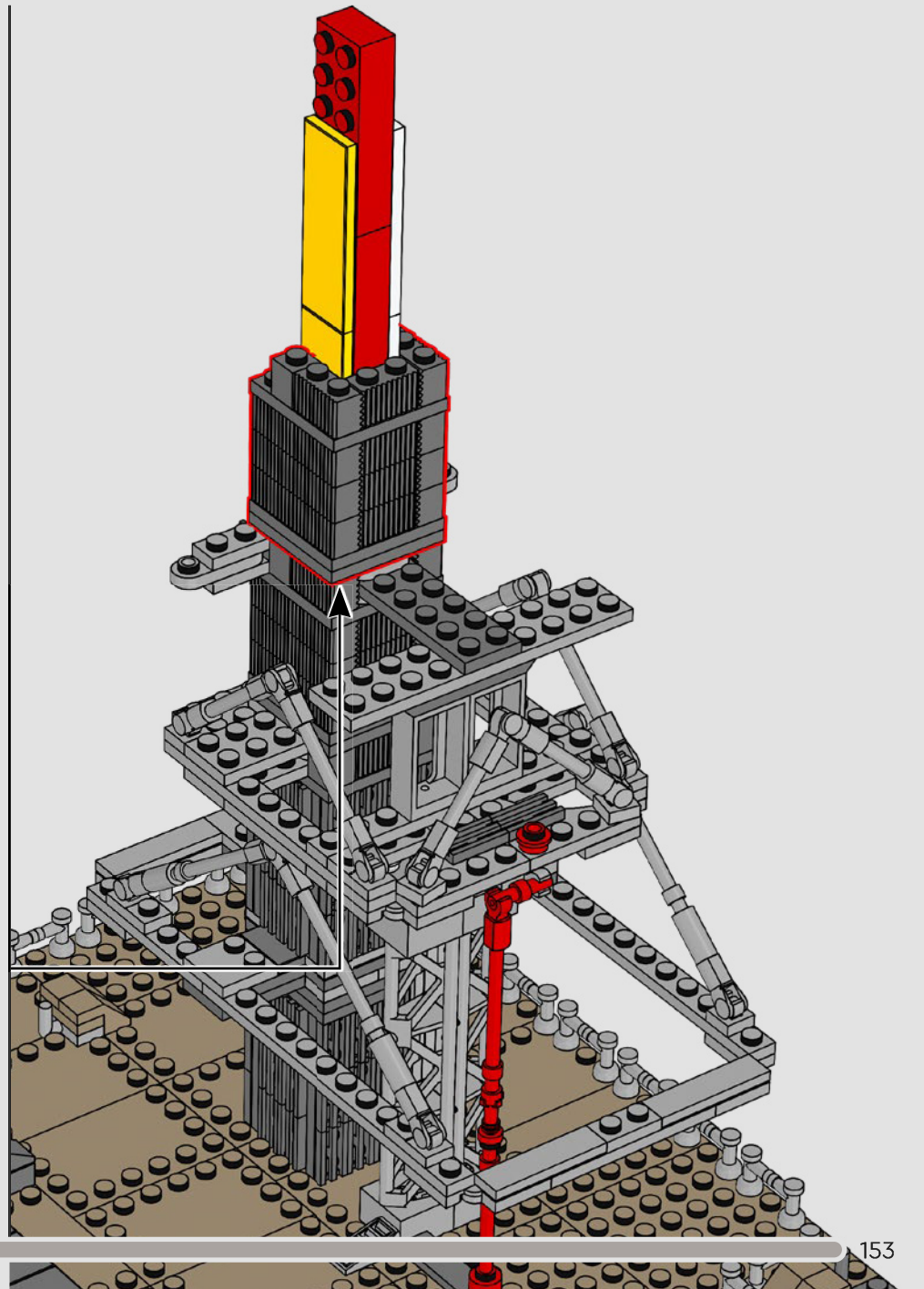
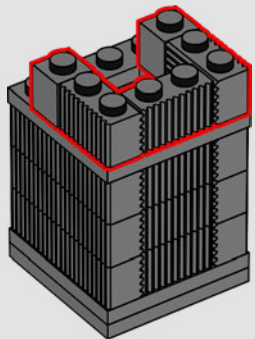
2

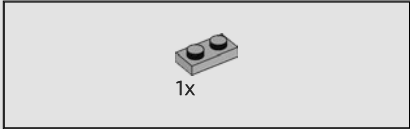
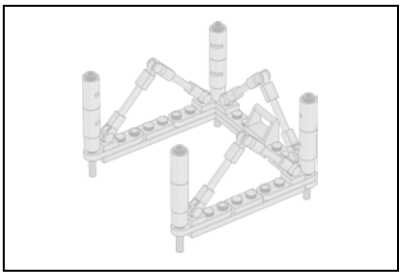


3

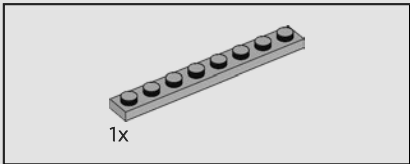
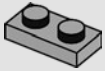


4

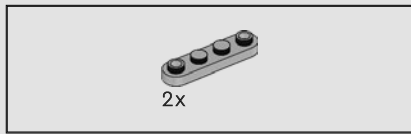
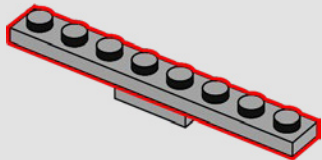




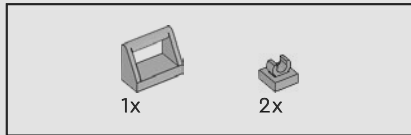
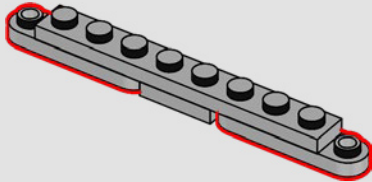
213



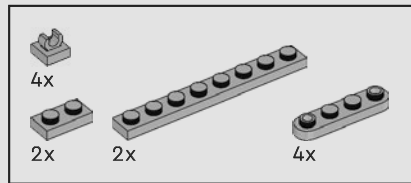
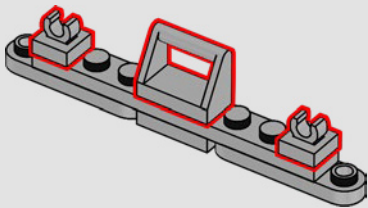
214



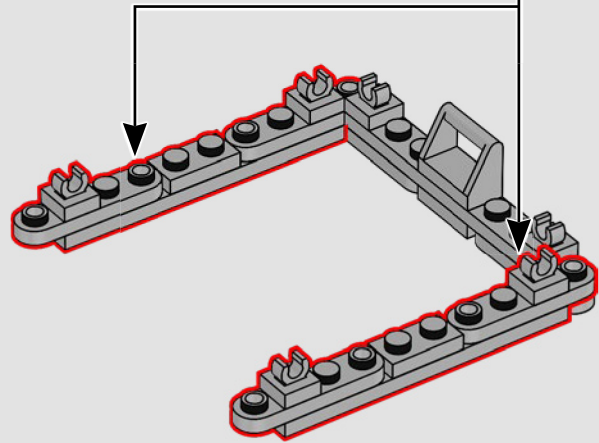
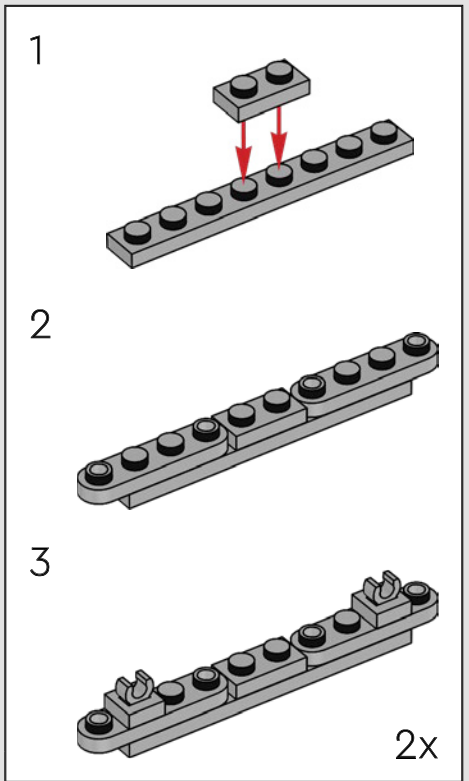
215

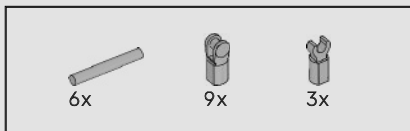


216

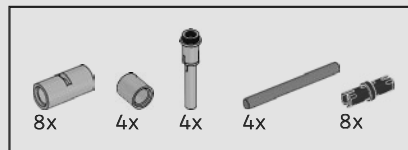
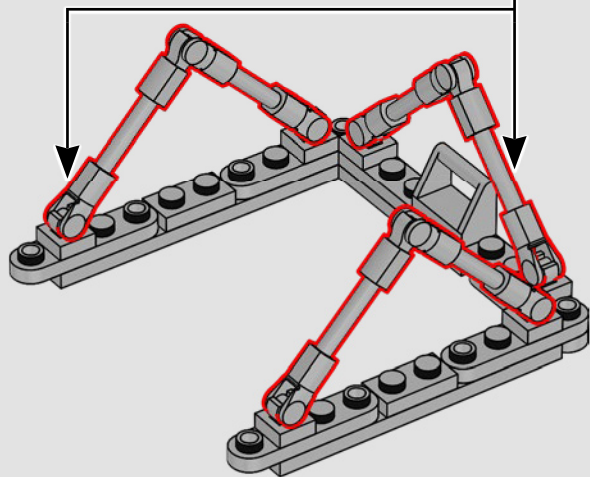
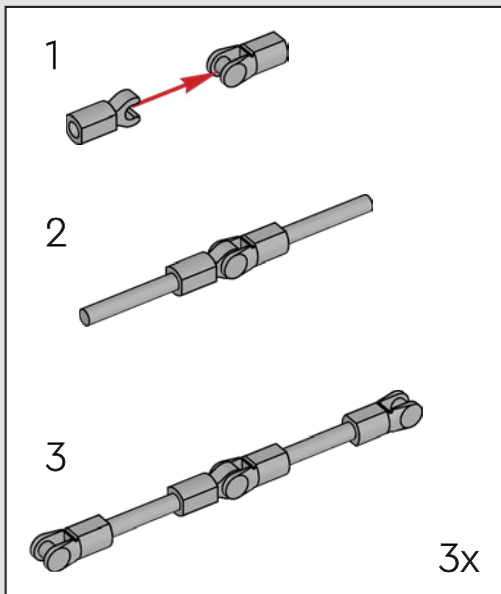


217

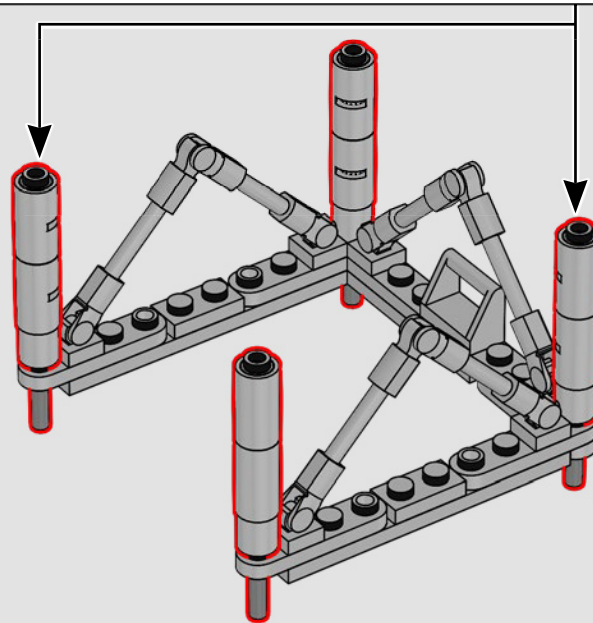
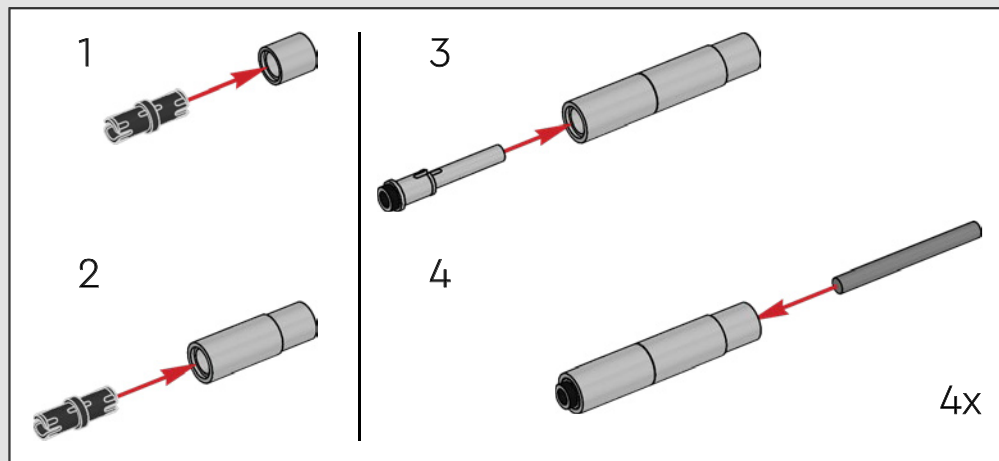




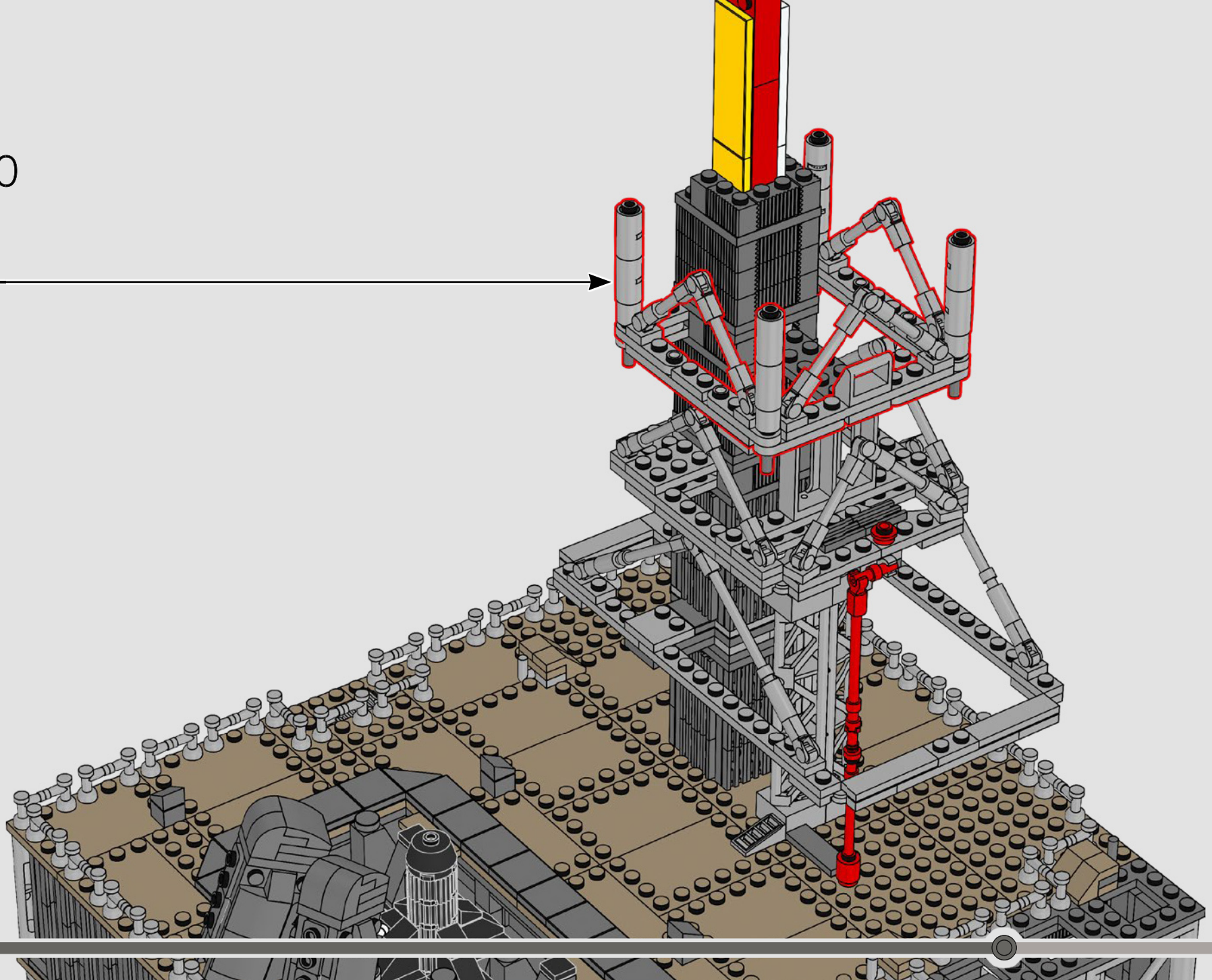
218

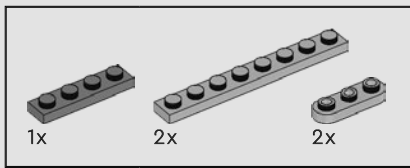


219

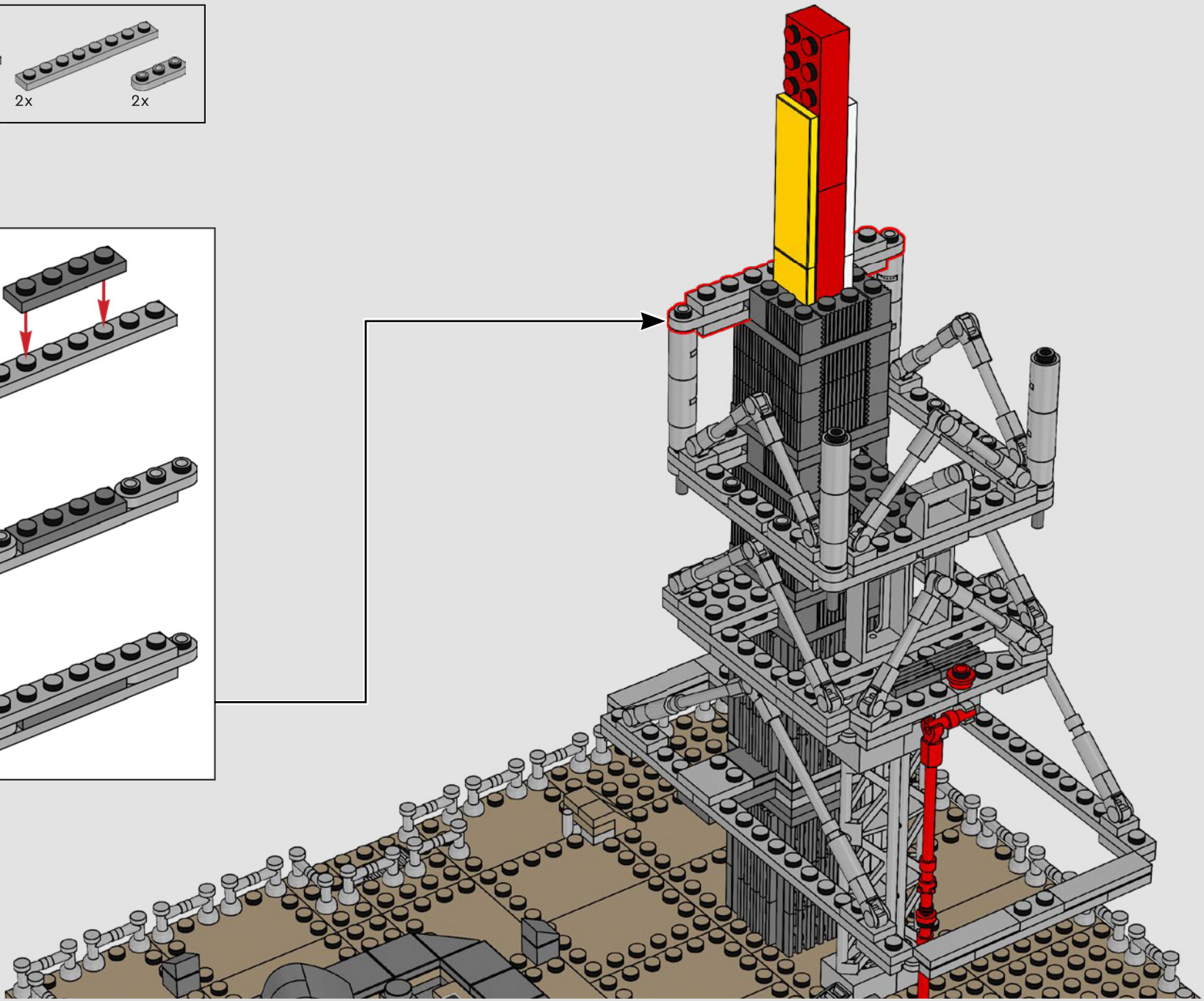
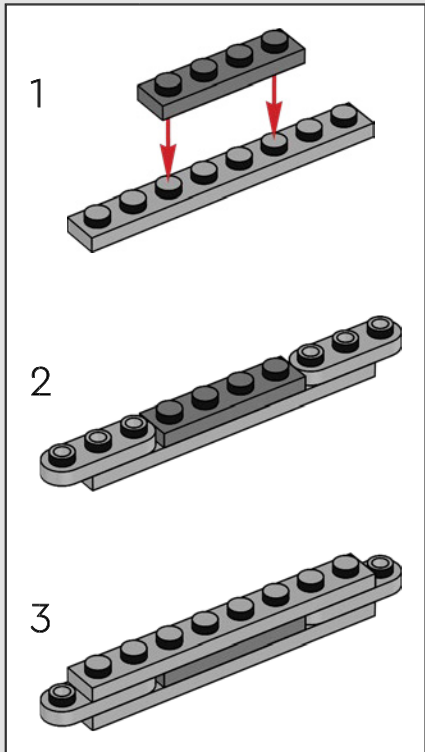


220



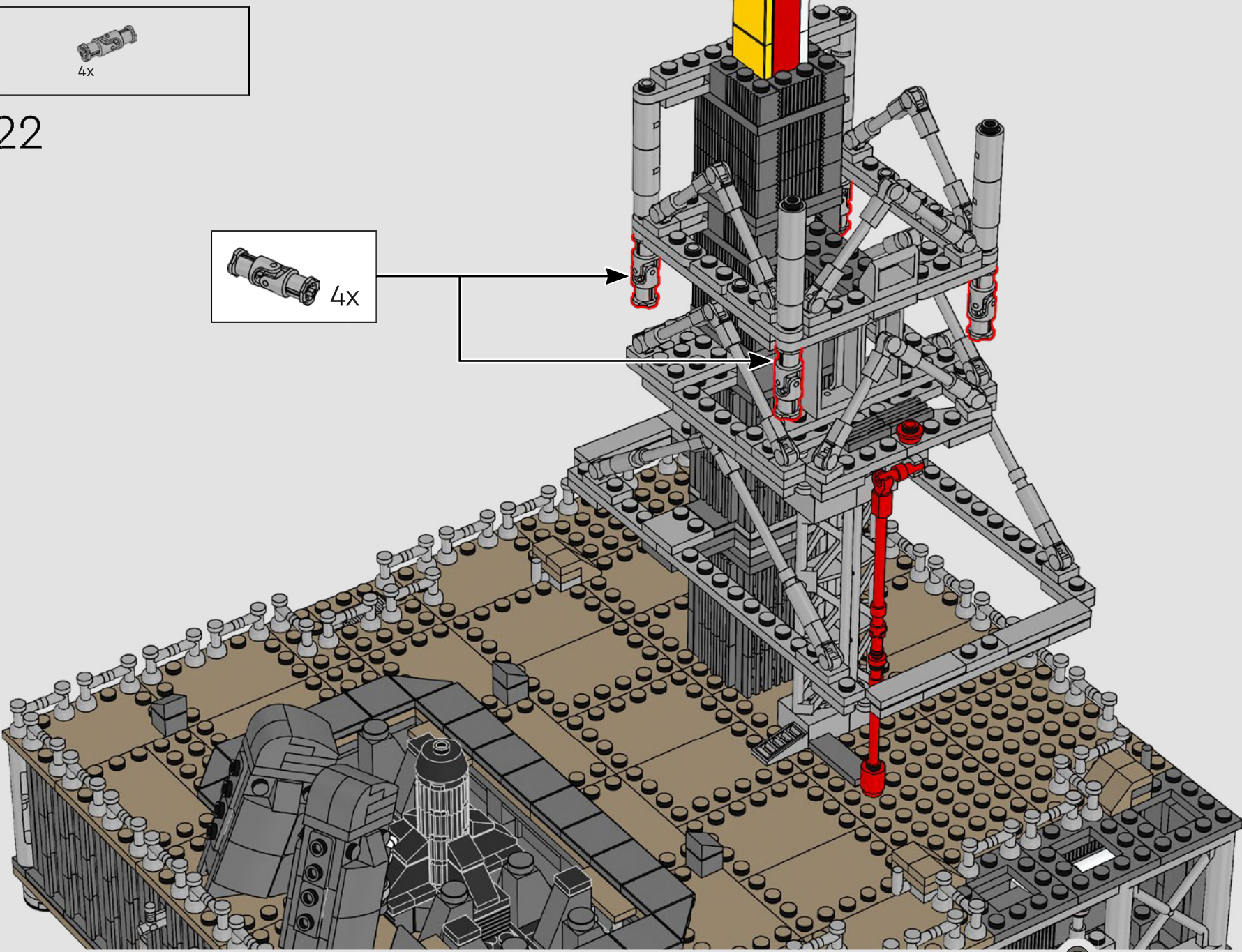
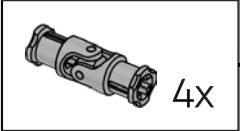


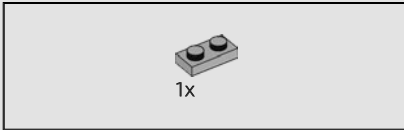
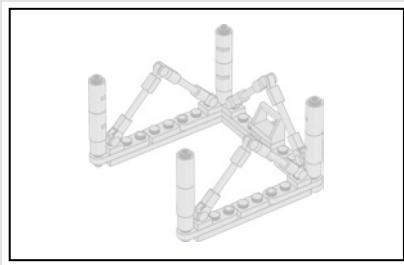
221





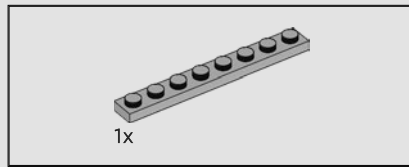
222





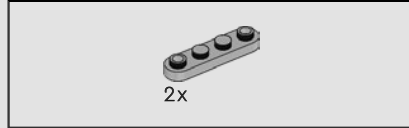
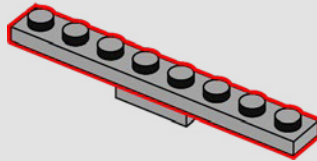
223

1x



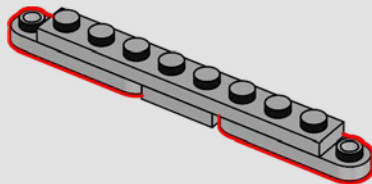
1x

224

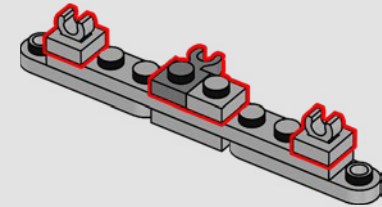


2x

225

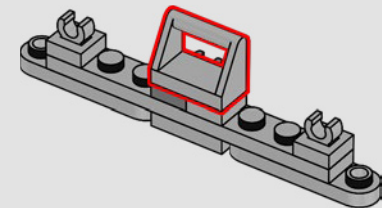


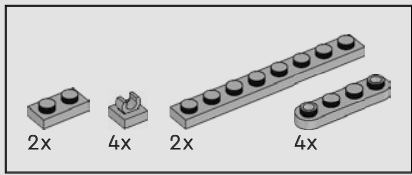
226



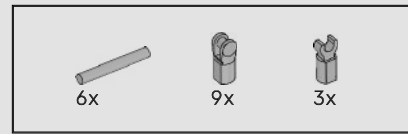
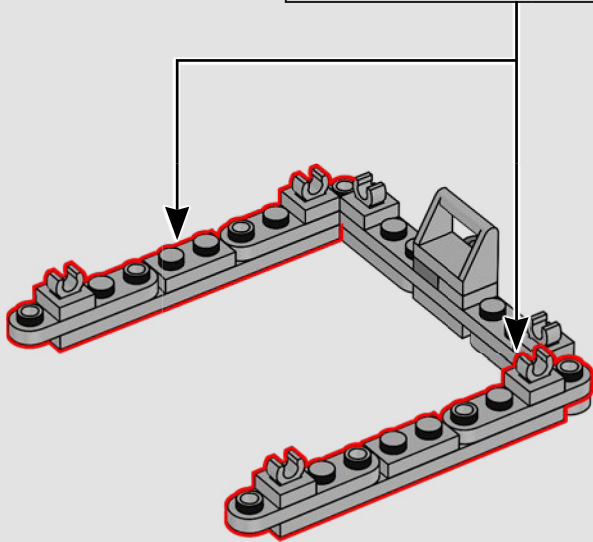
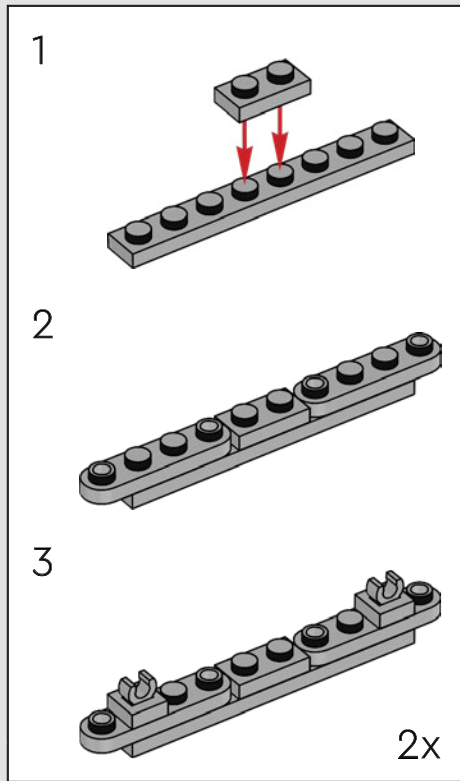
1x

227

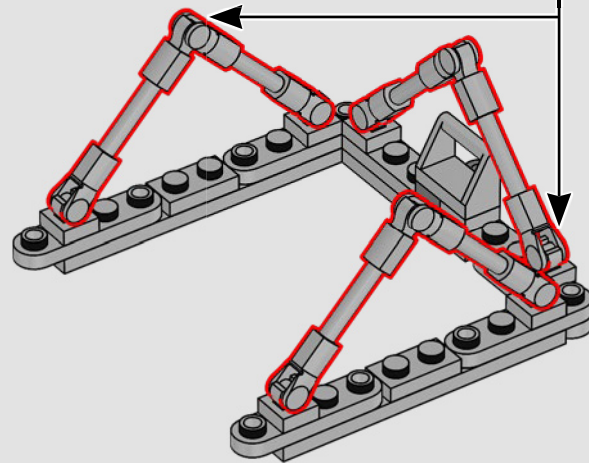
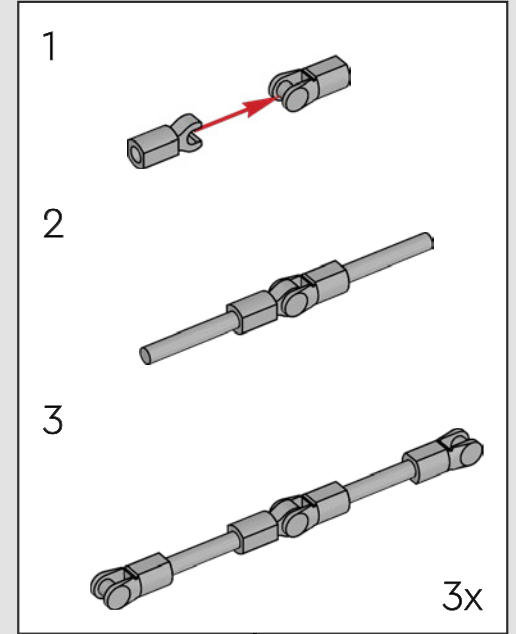


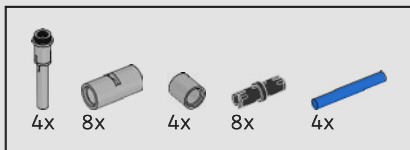


228

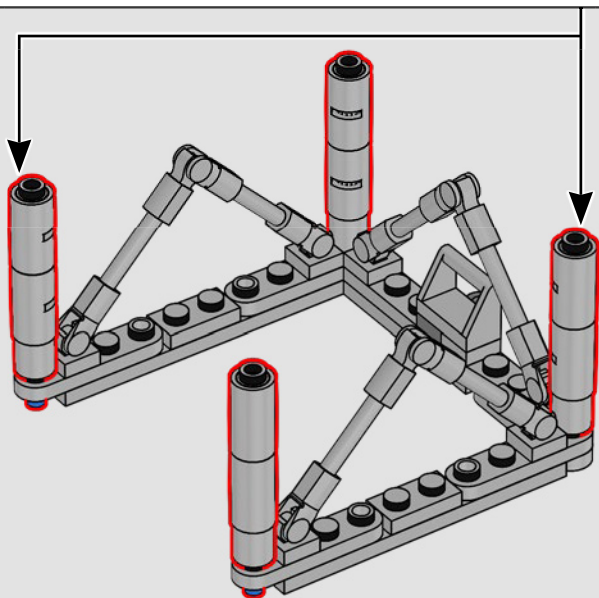
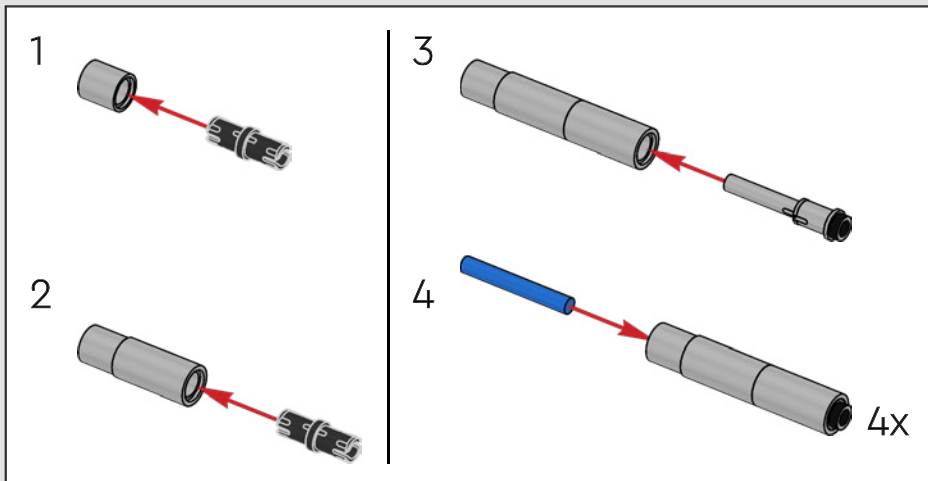


229

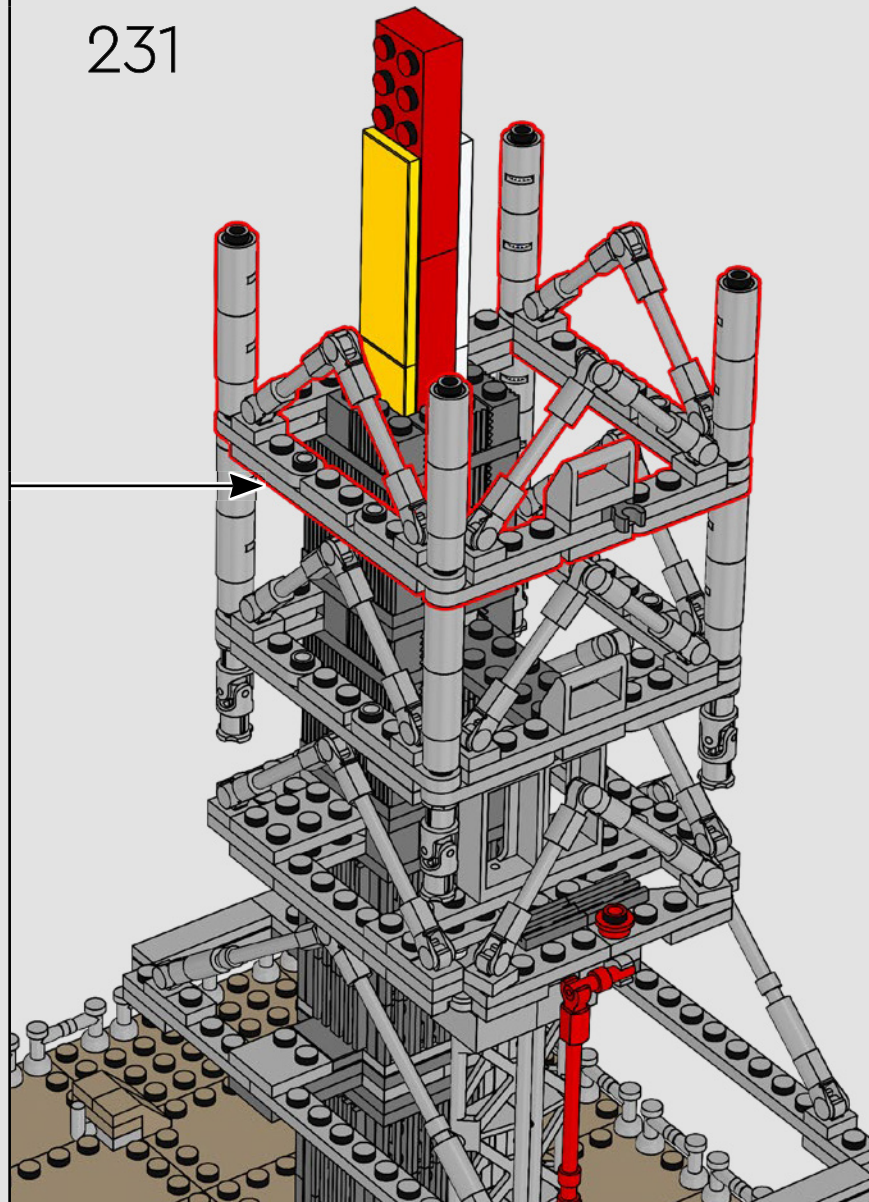


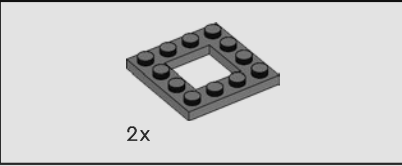
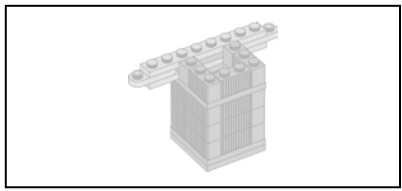


230

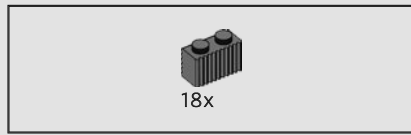
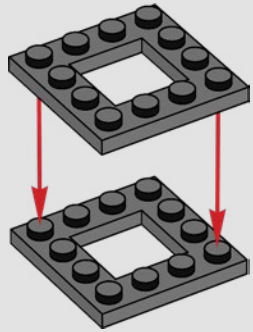


231

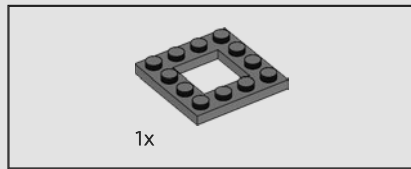
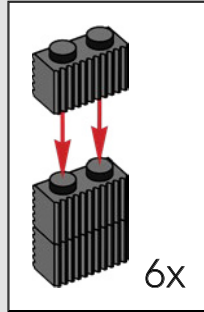




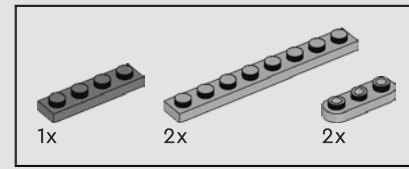
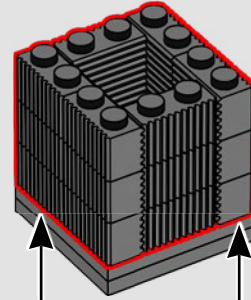
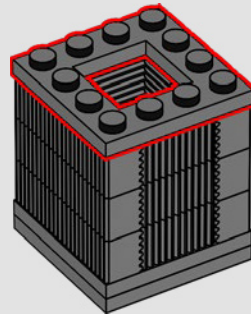
232



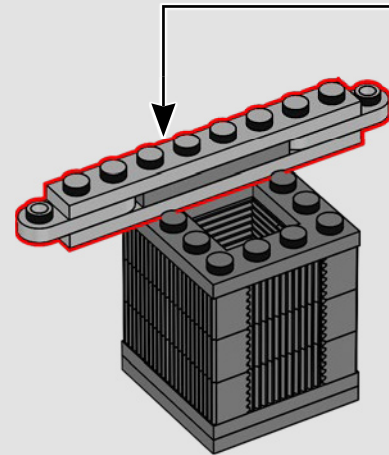
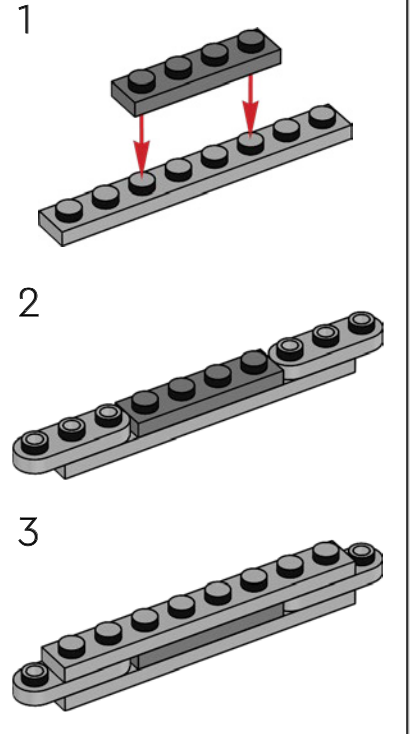
233

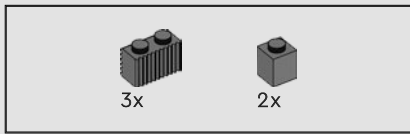


234

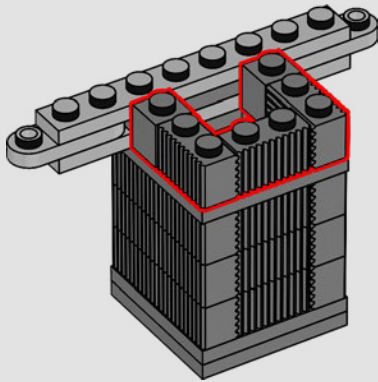


235

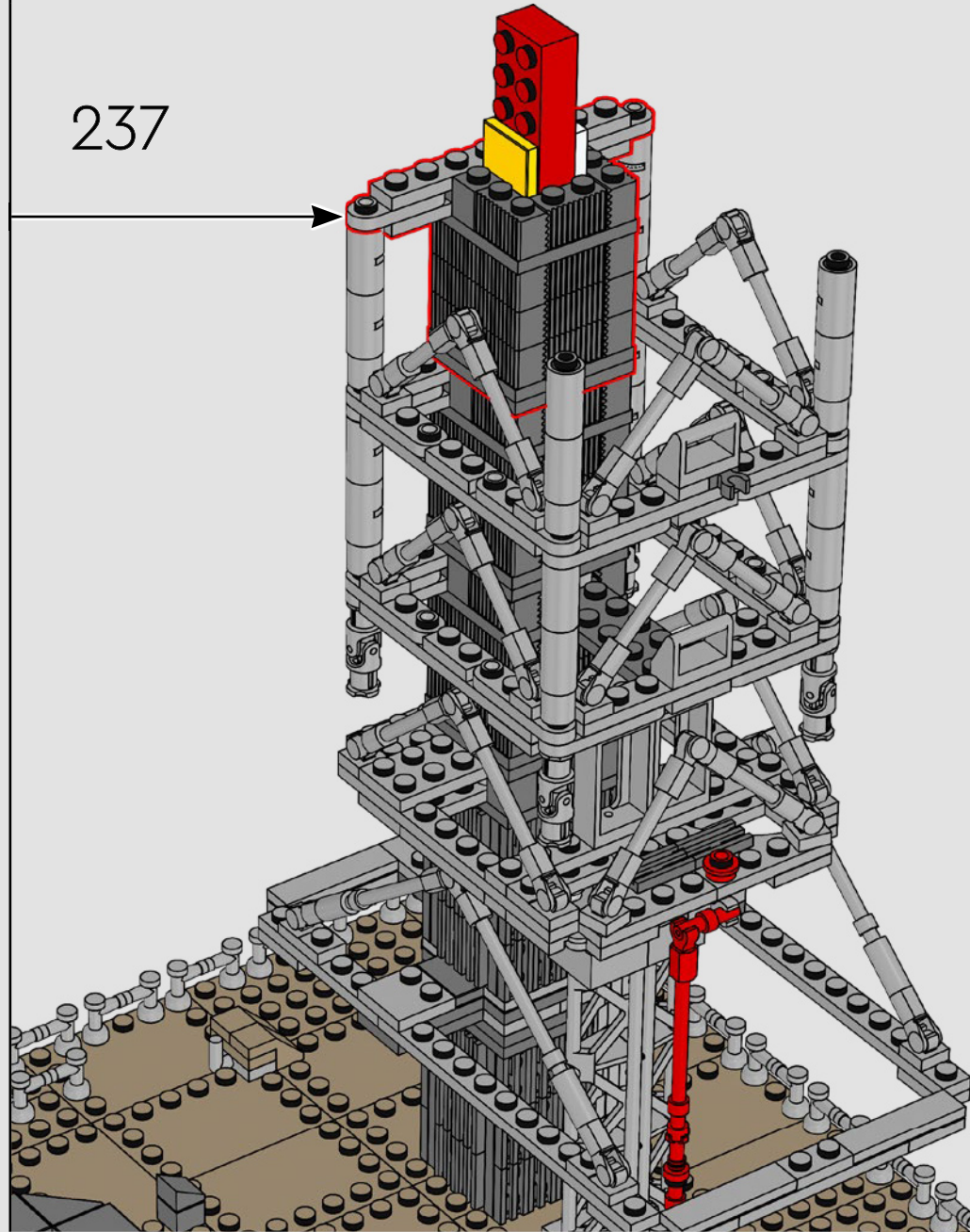


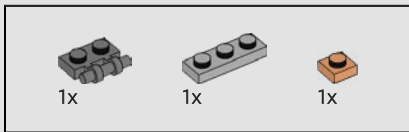


236

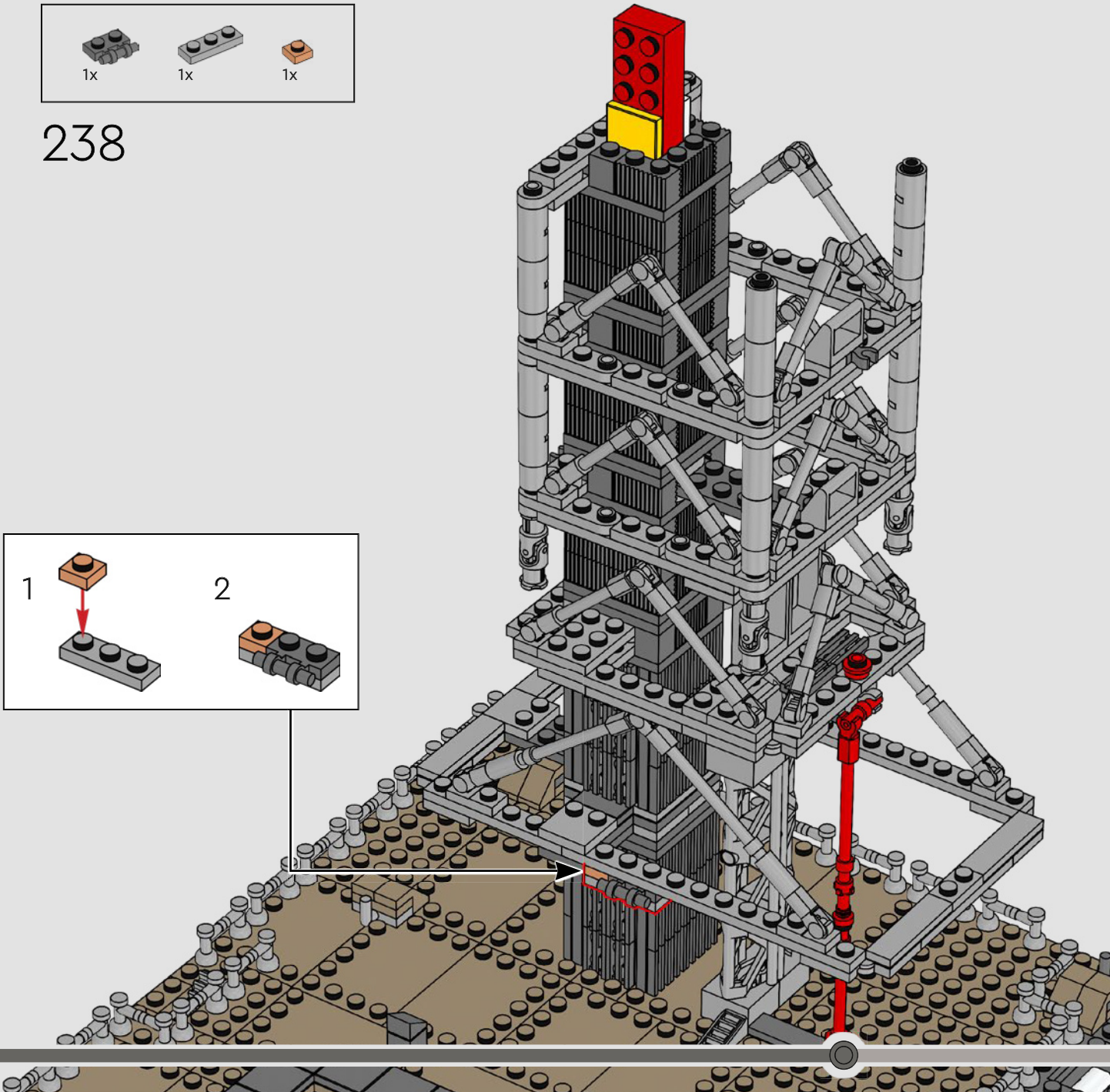
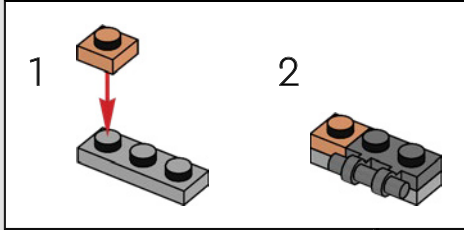


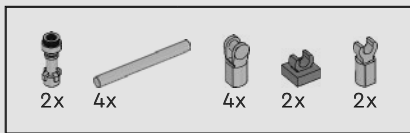
237



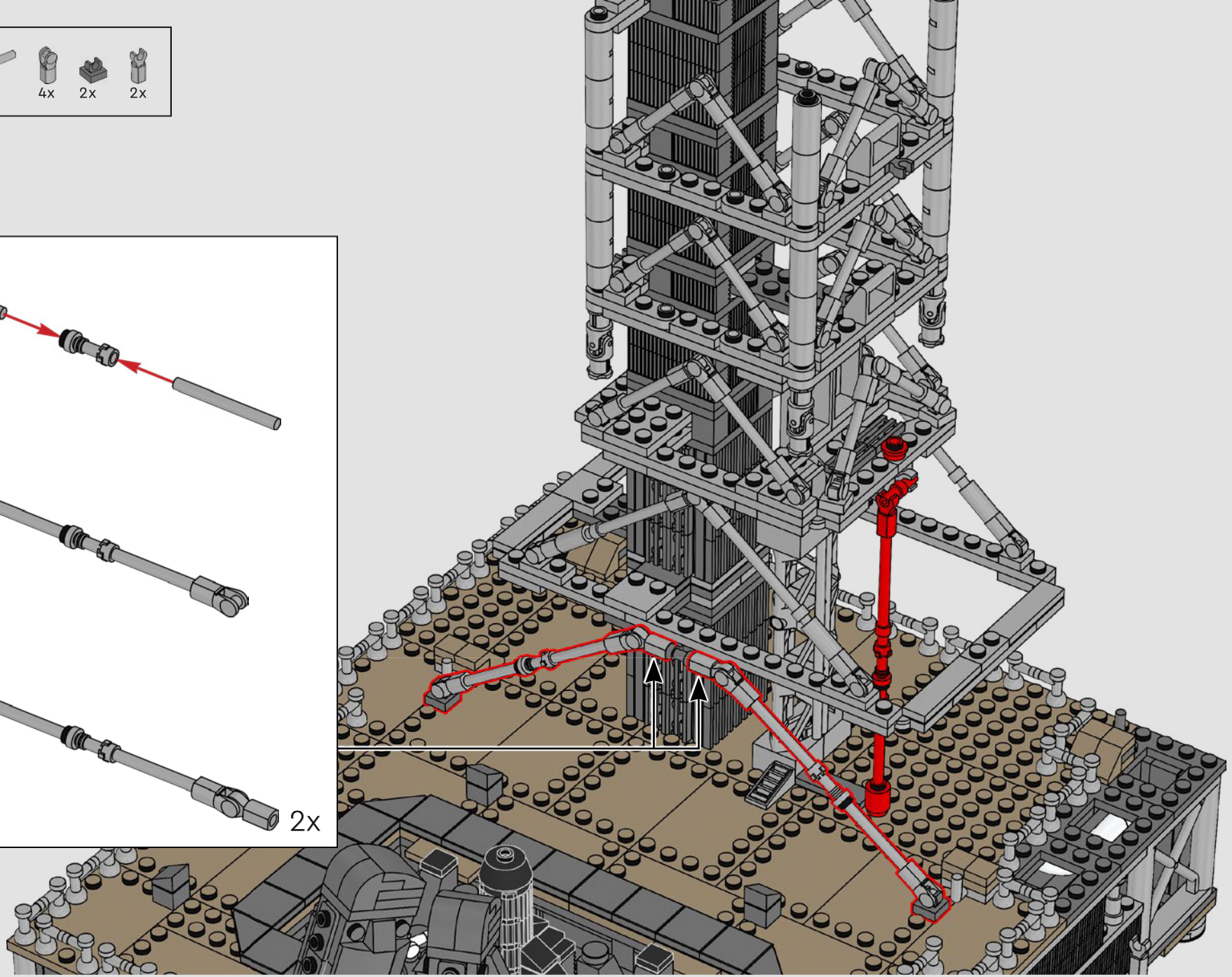
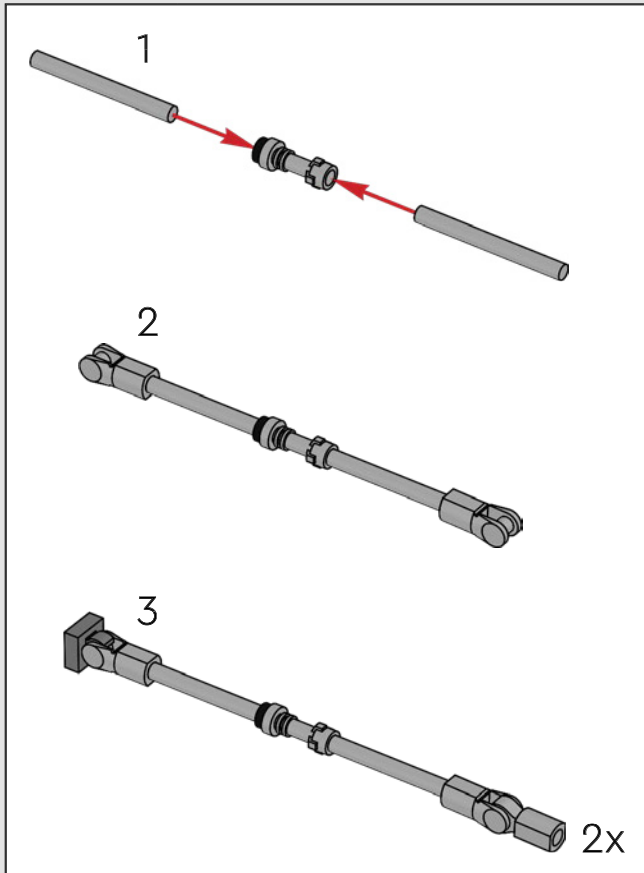


238

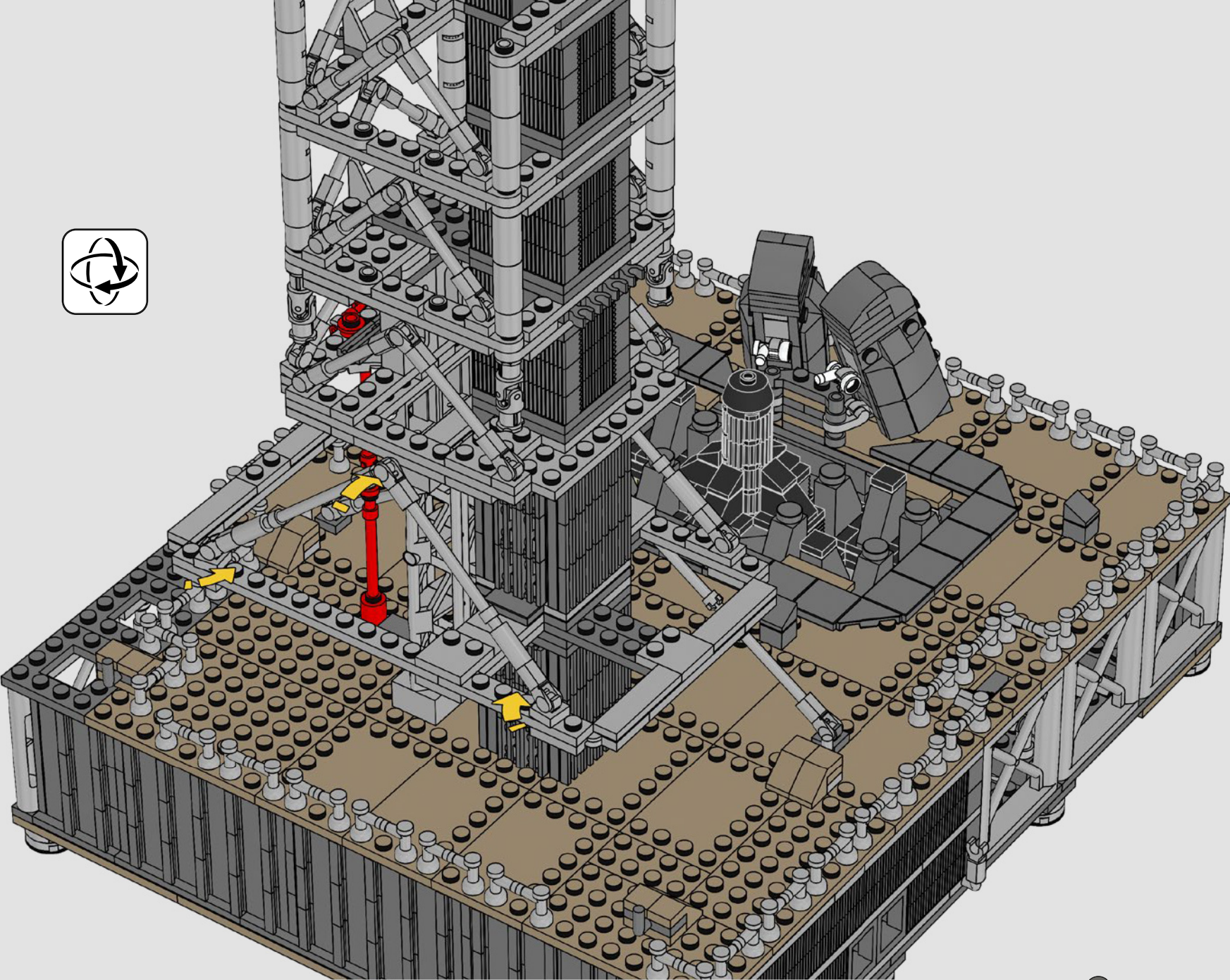


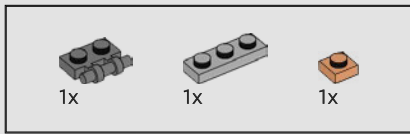


239

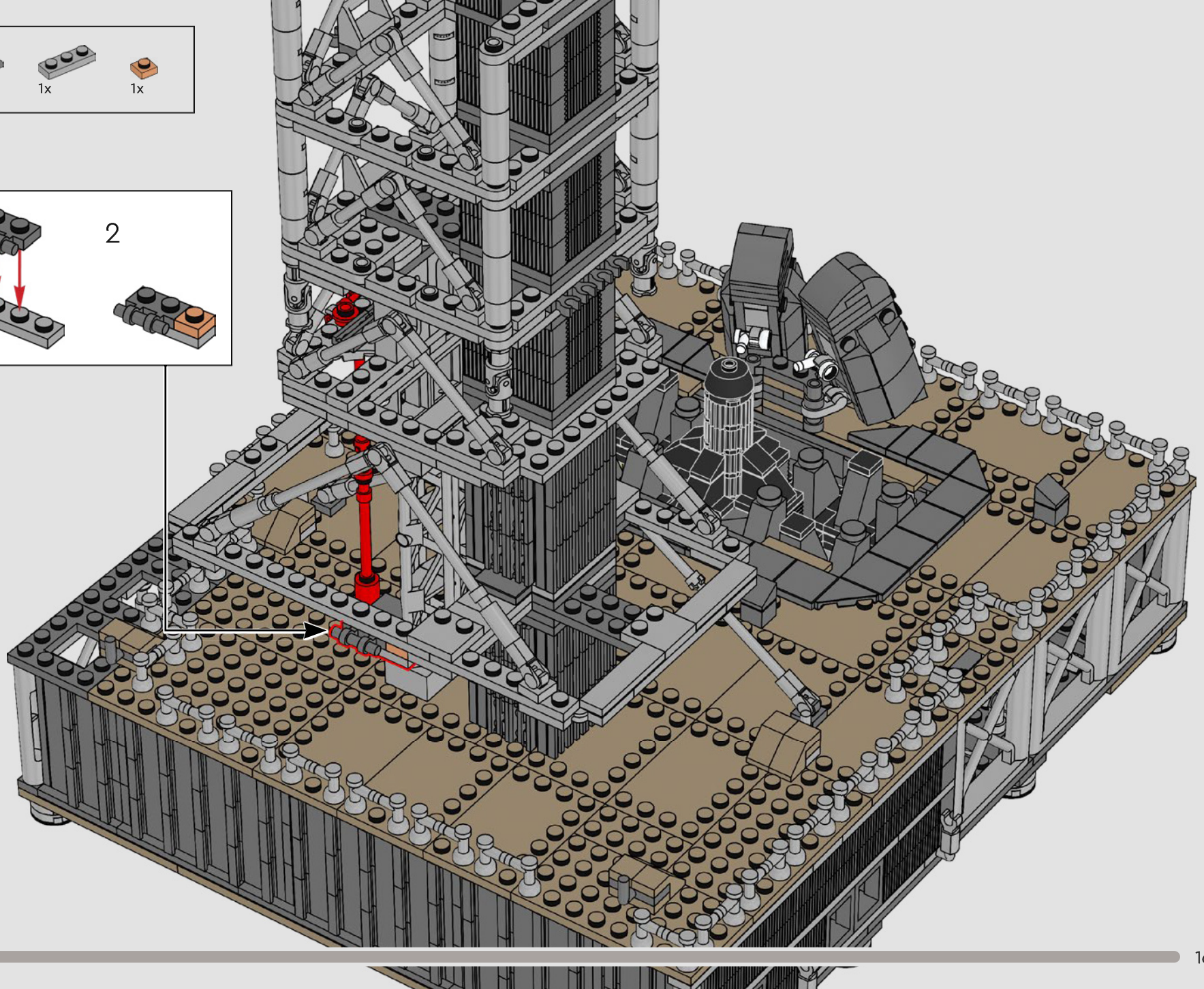
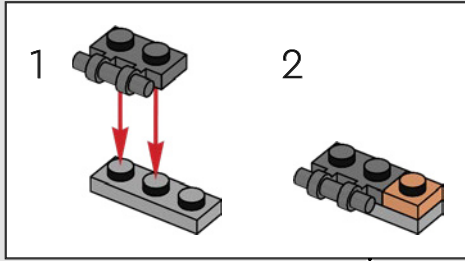


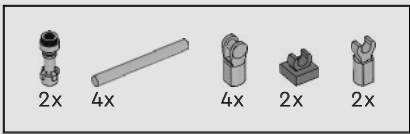
240



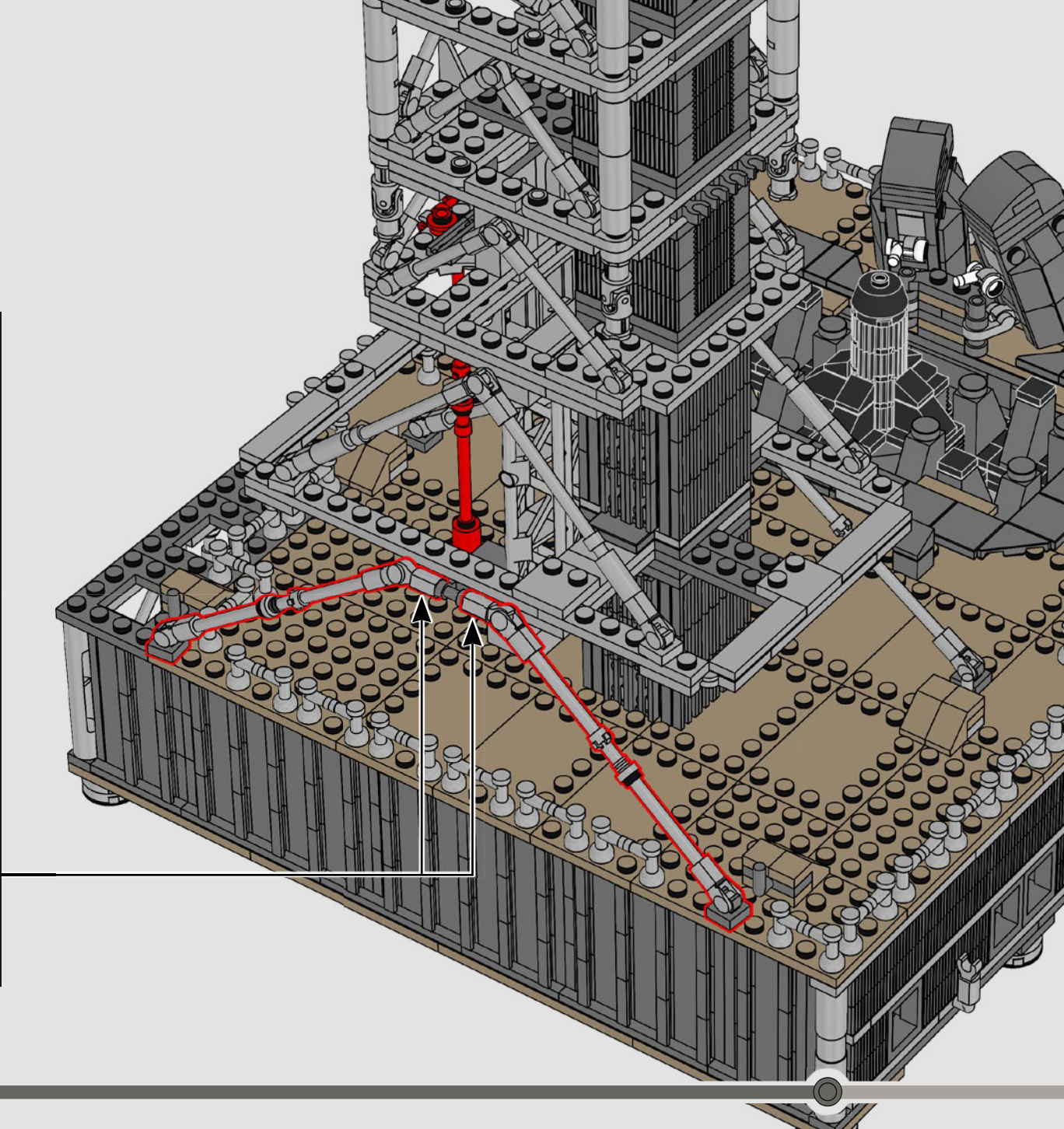
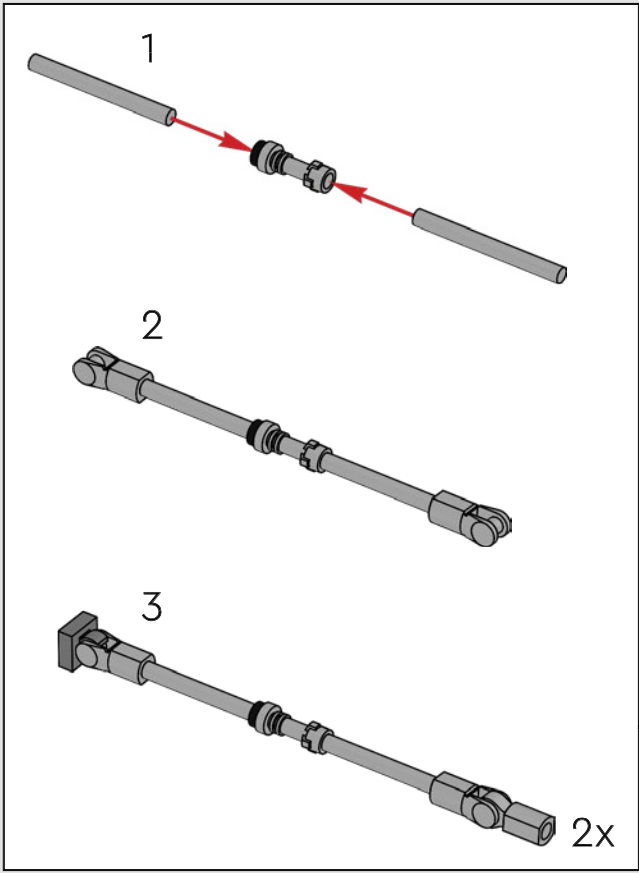


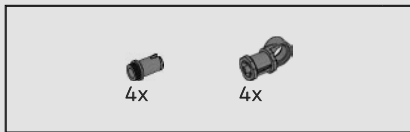
241



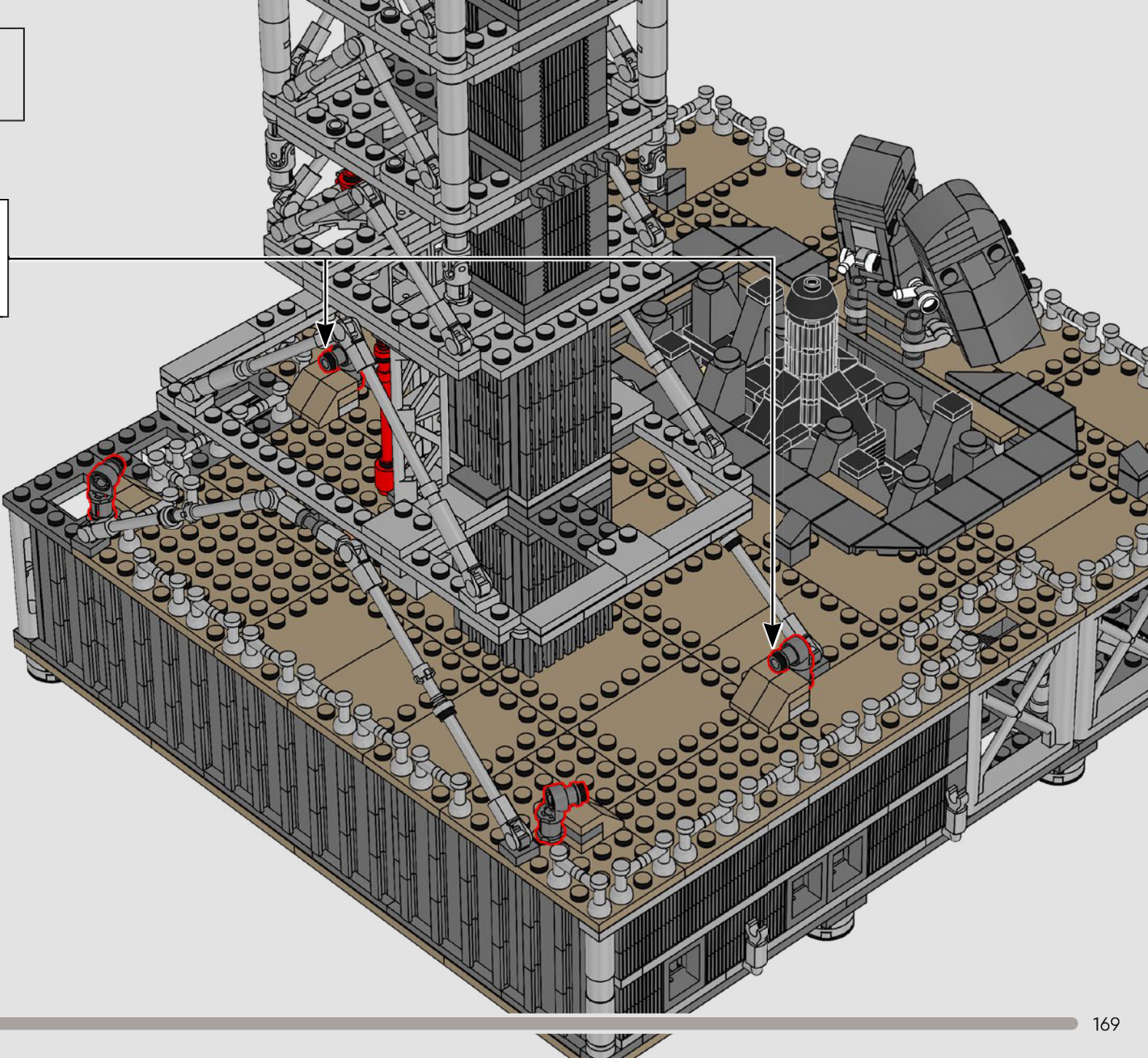
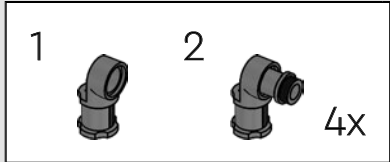


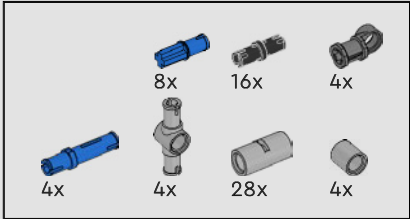
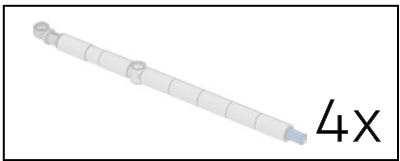
242



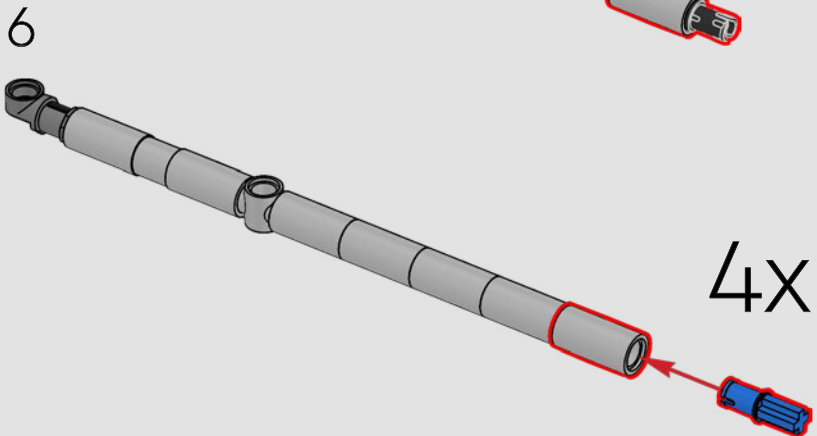
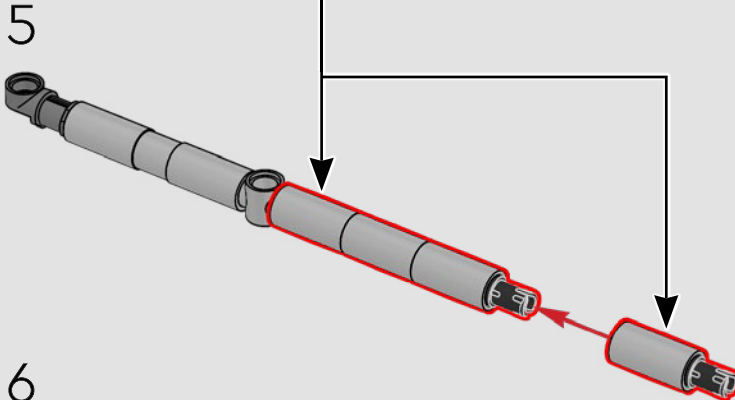
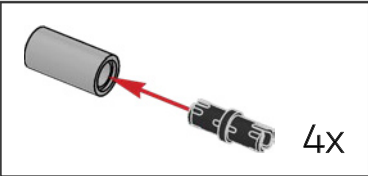
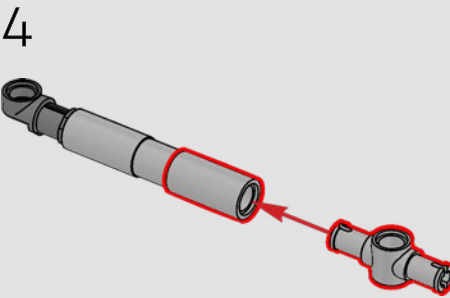
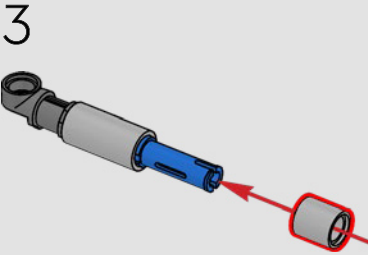
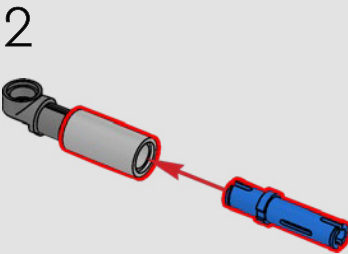
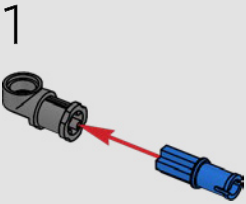


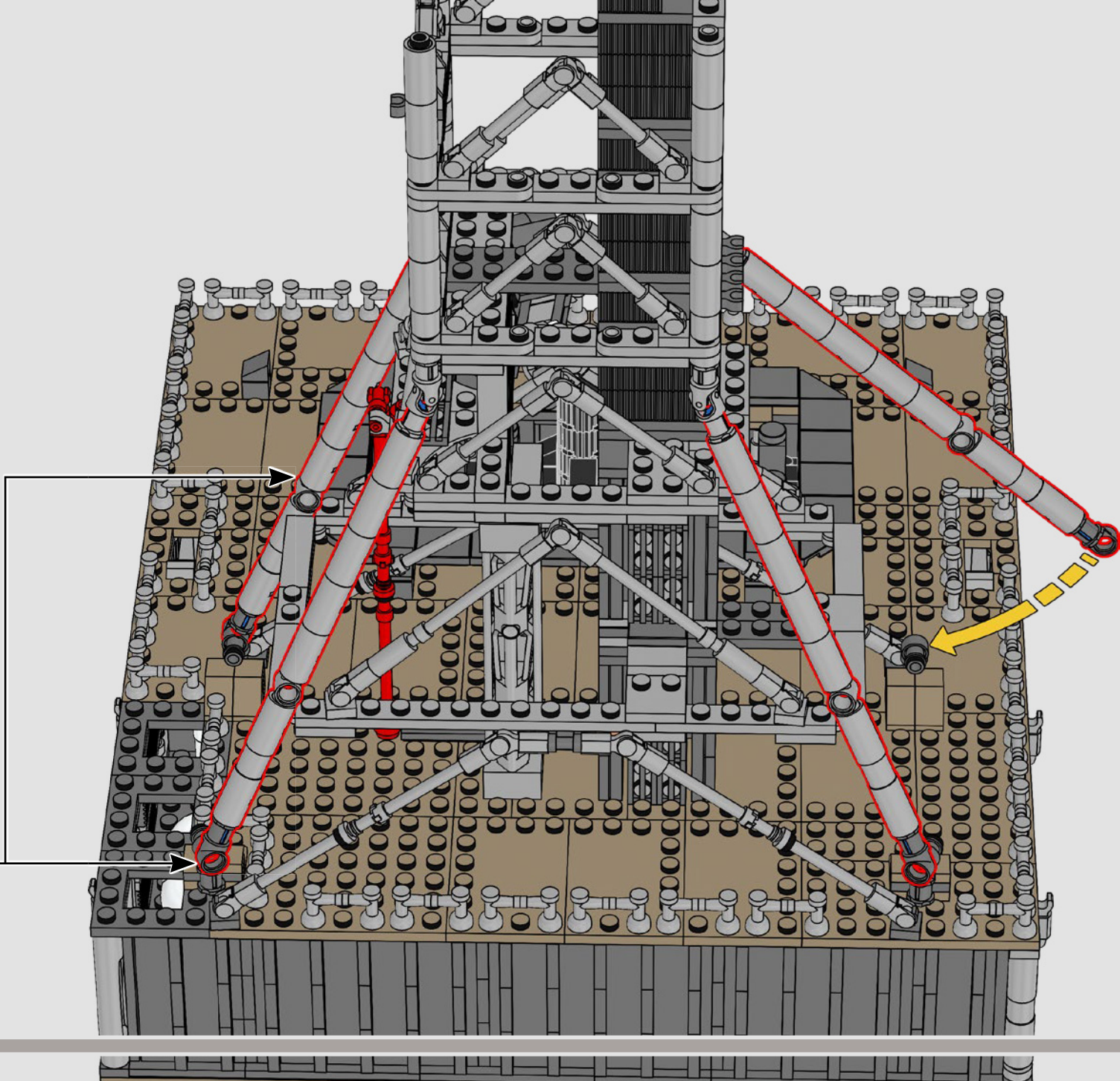
243

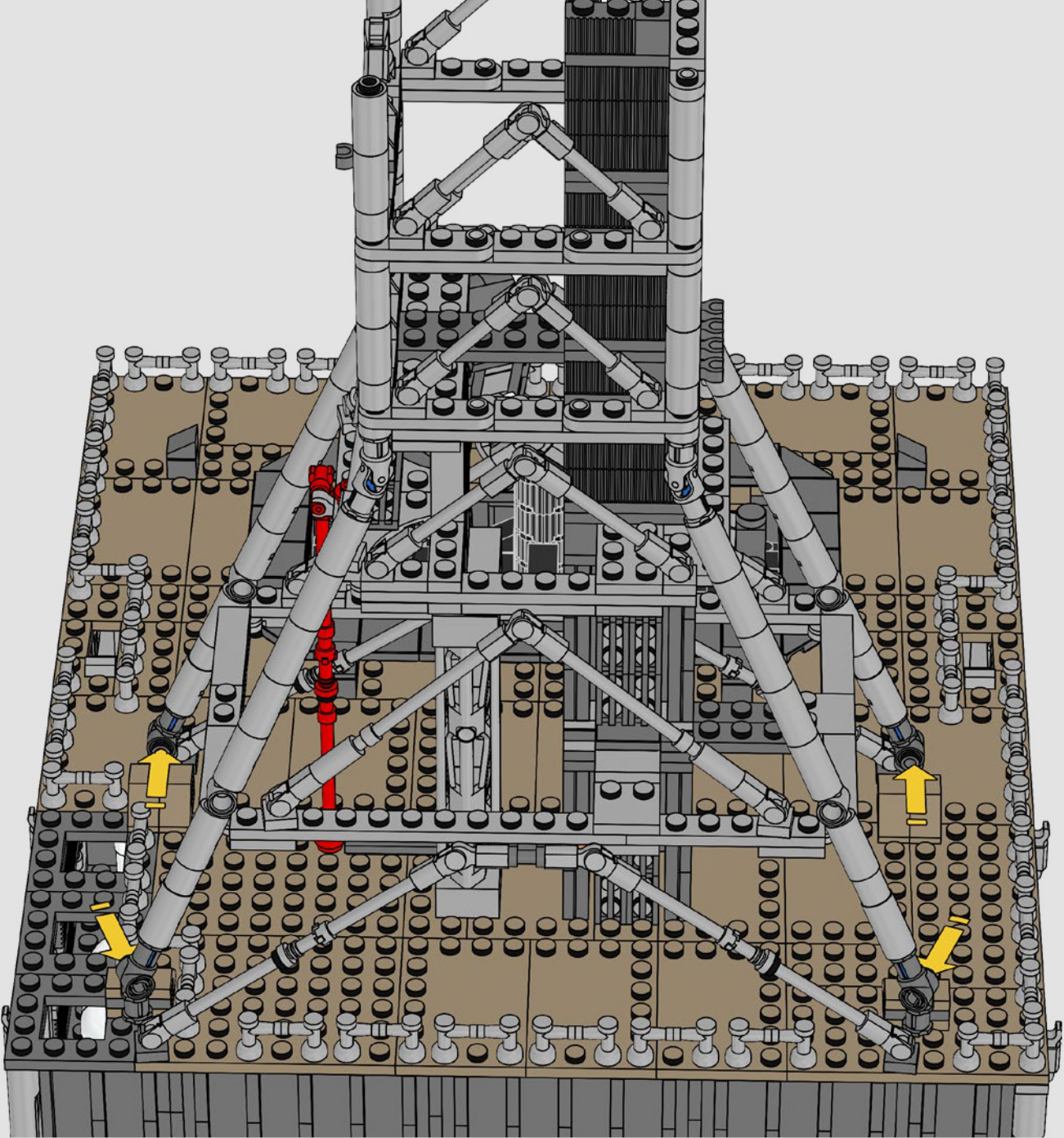


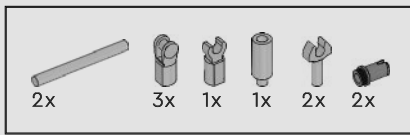


244



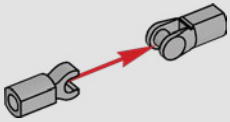




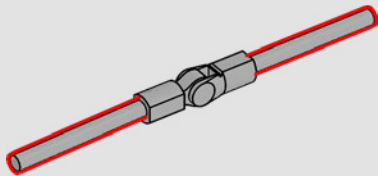


246

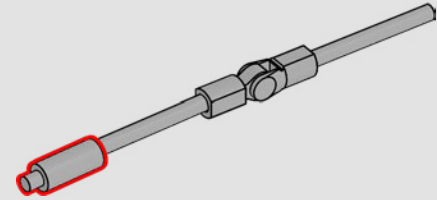
1



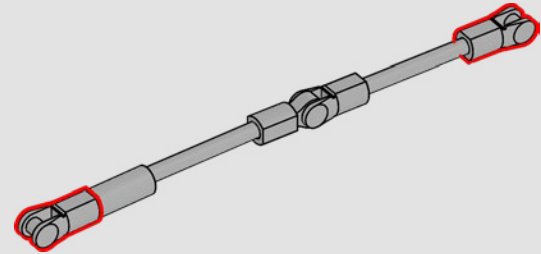
2



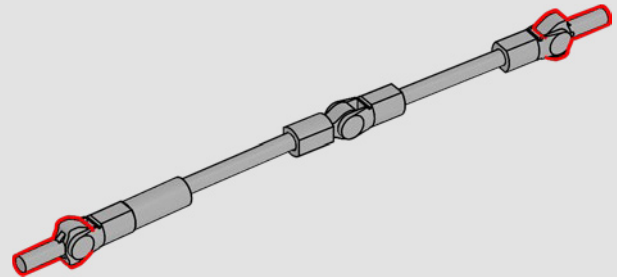
3

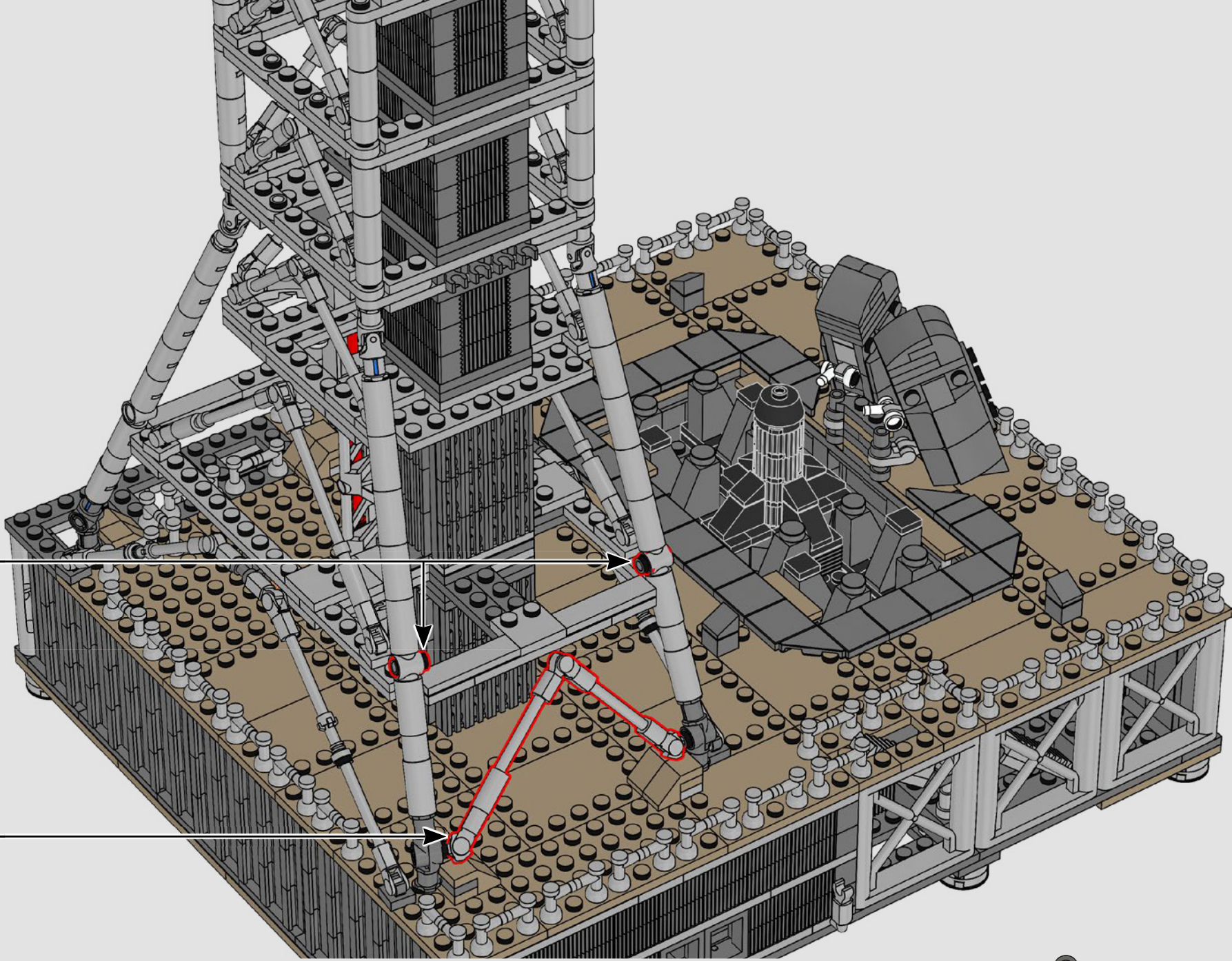


4



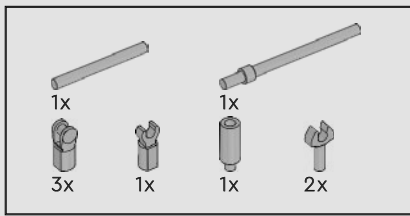
5





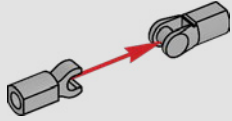
 2x



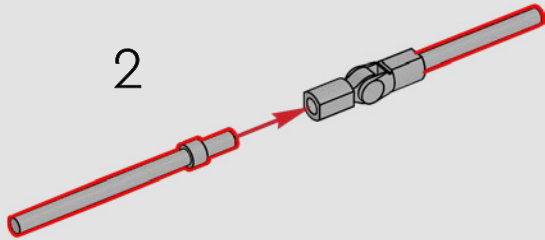


247

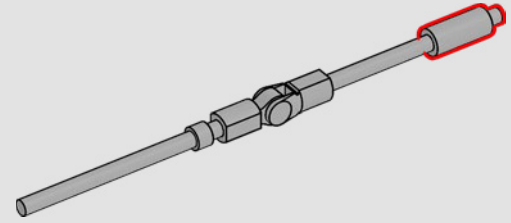
1



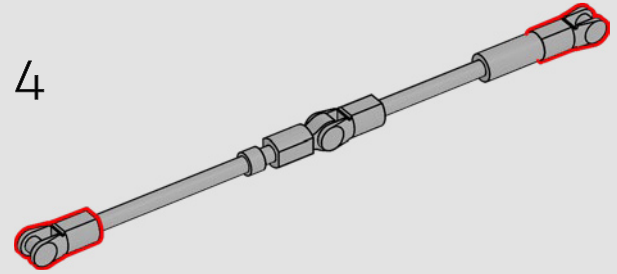
2



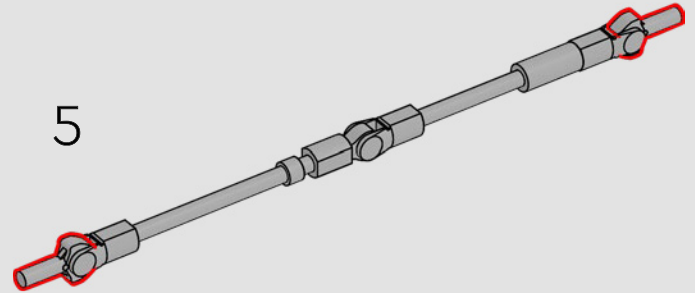
3

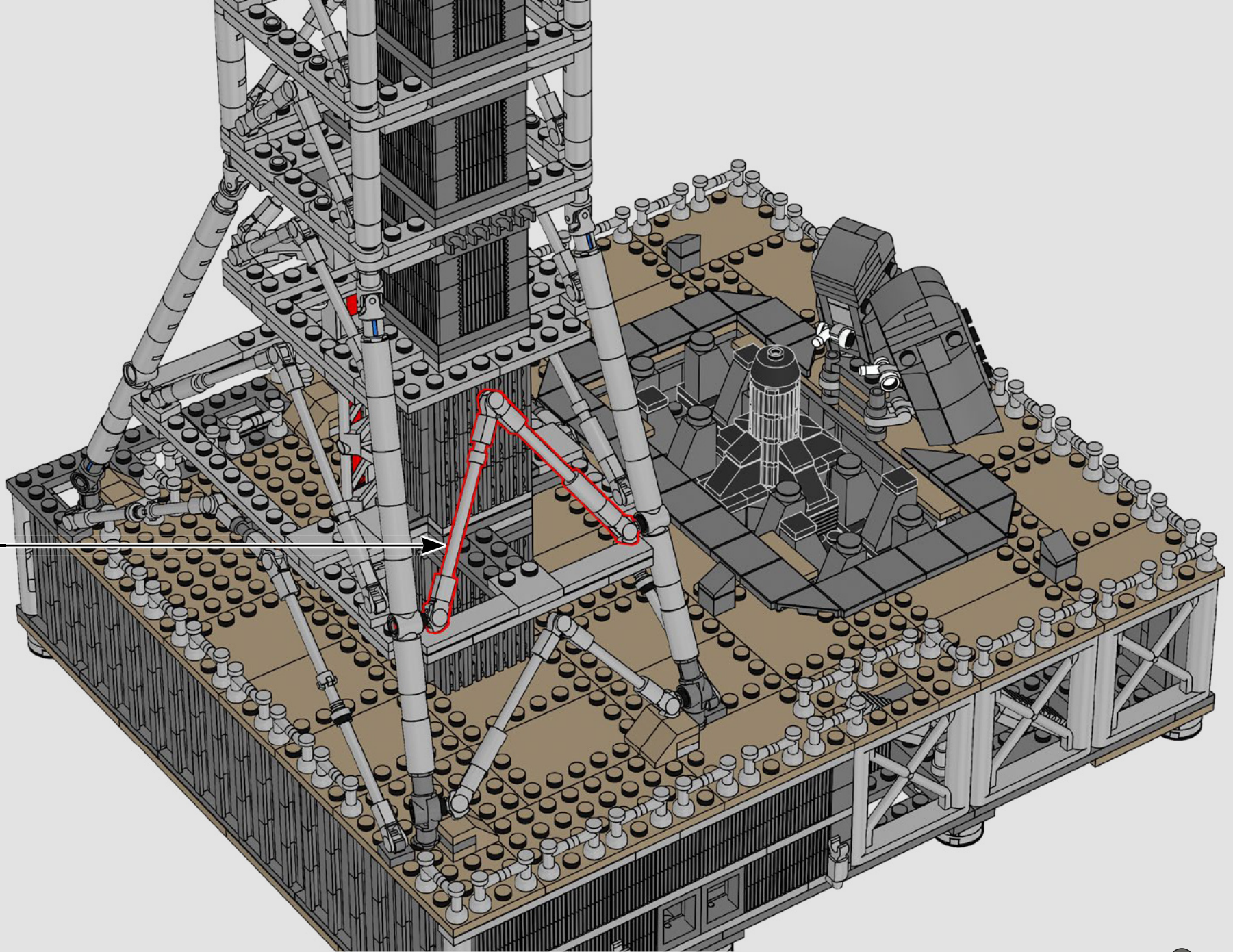


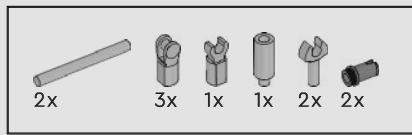
4



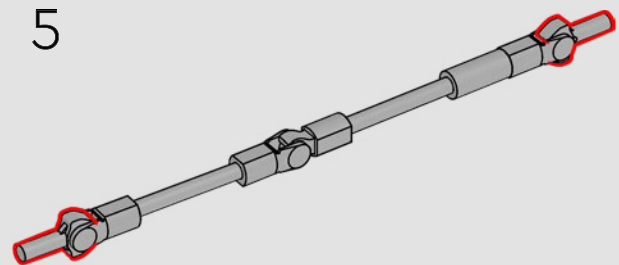
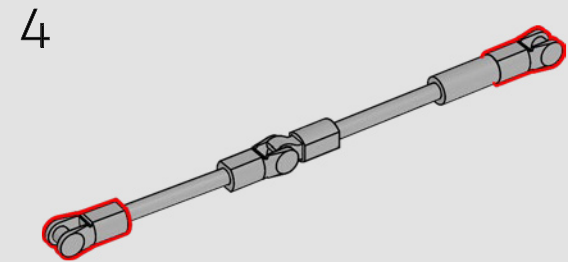
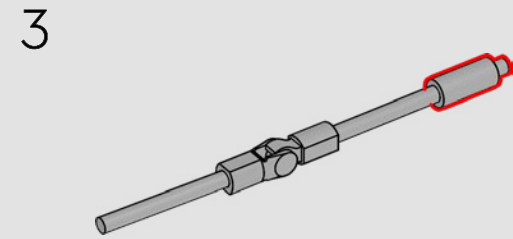
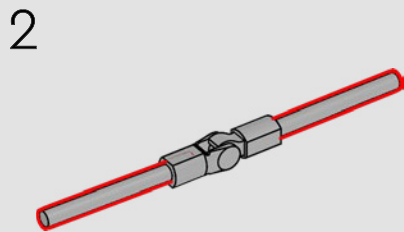
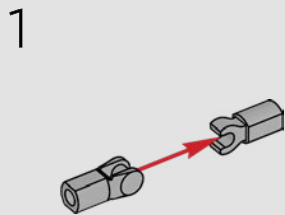
5

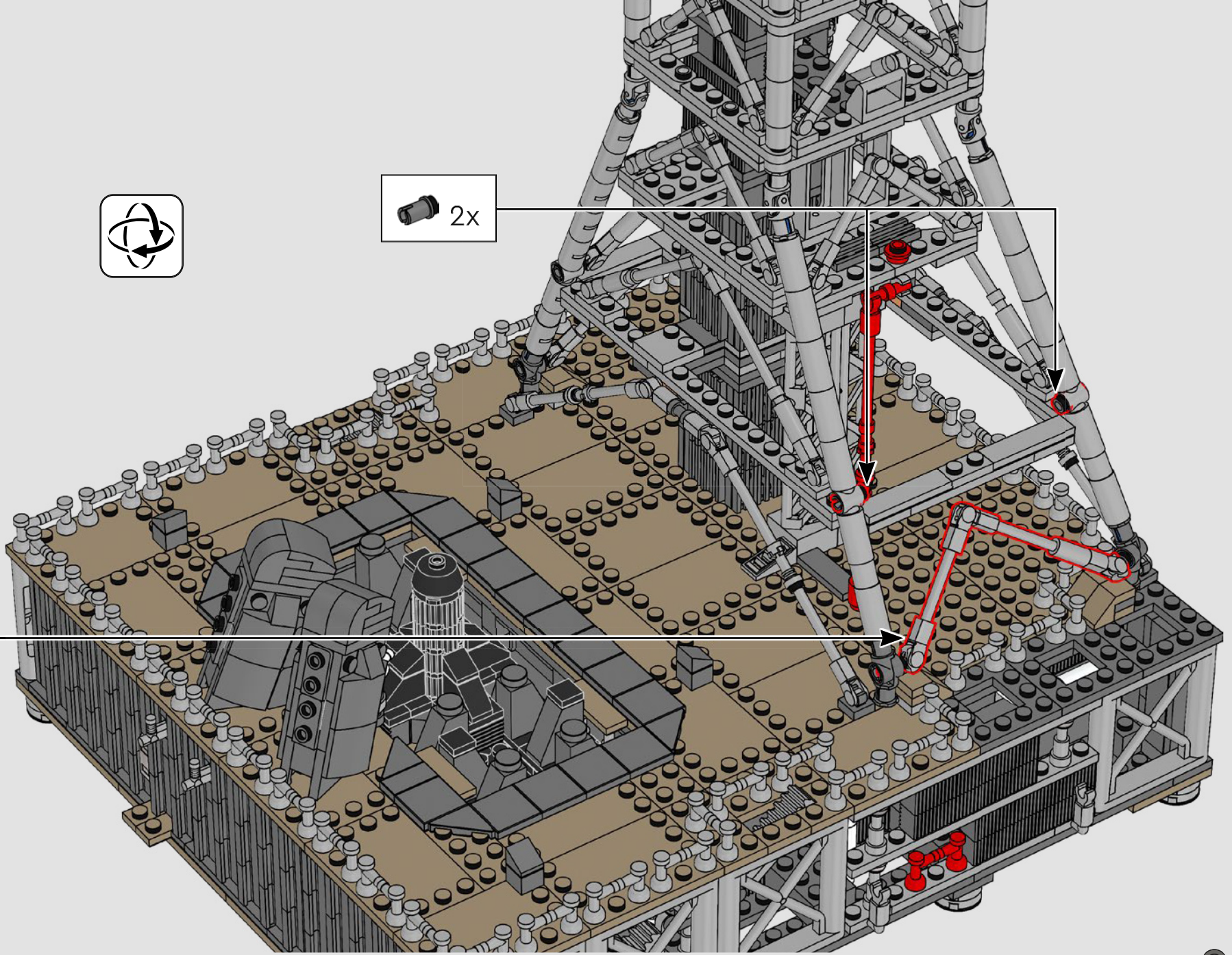


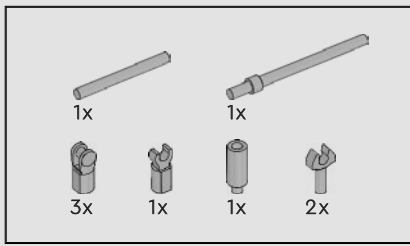




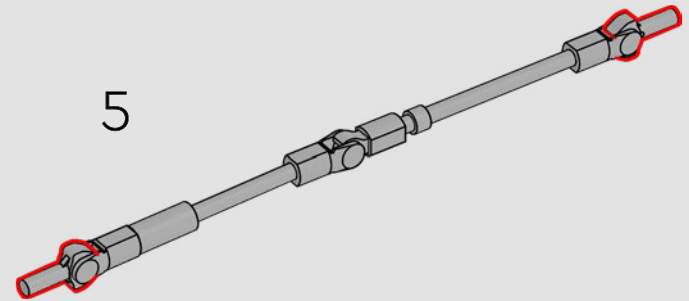
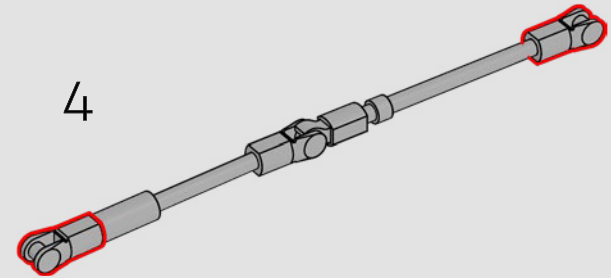
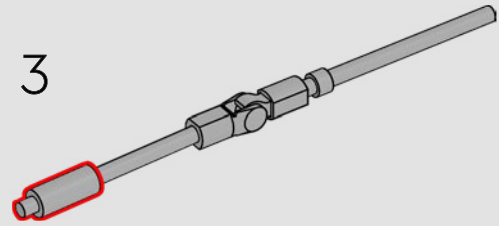
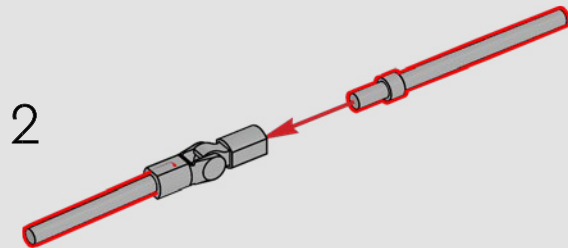
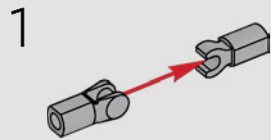
248

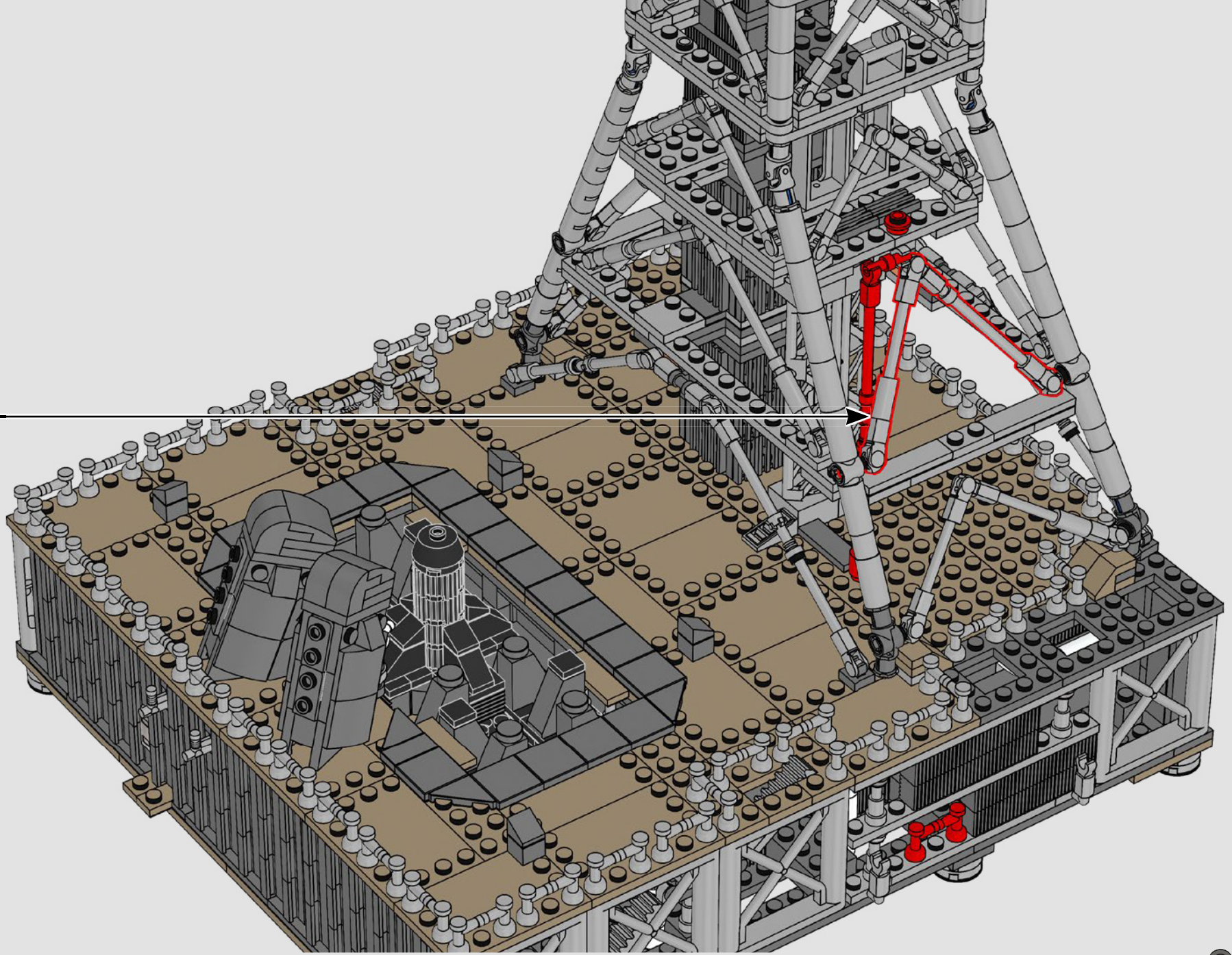


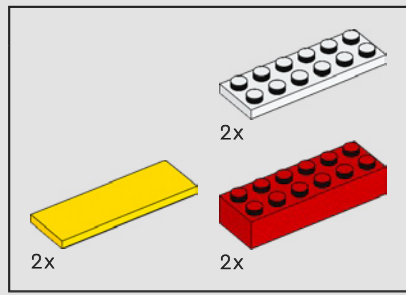




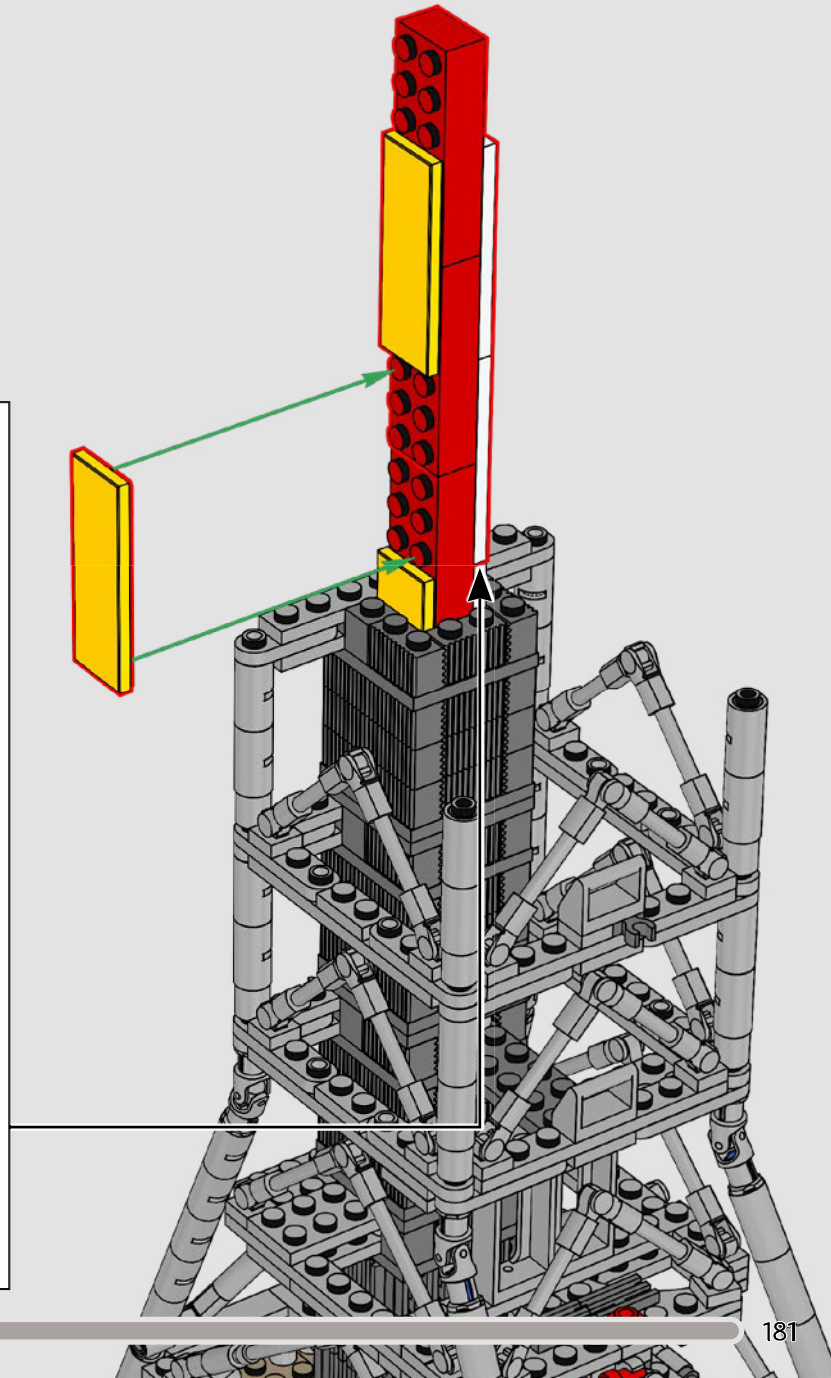
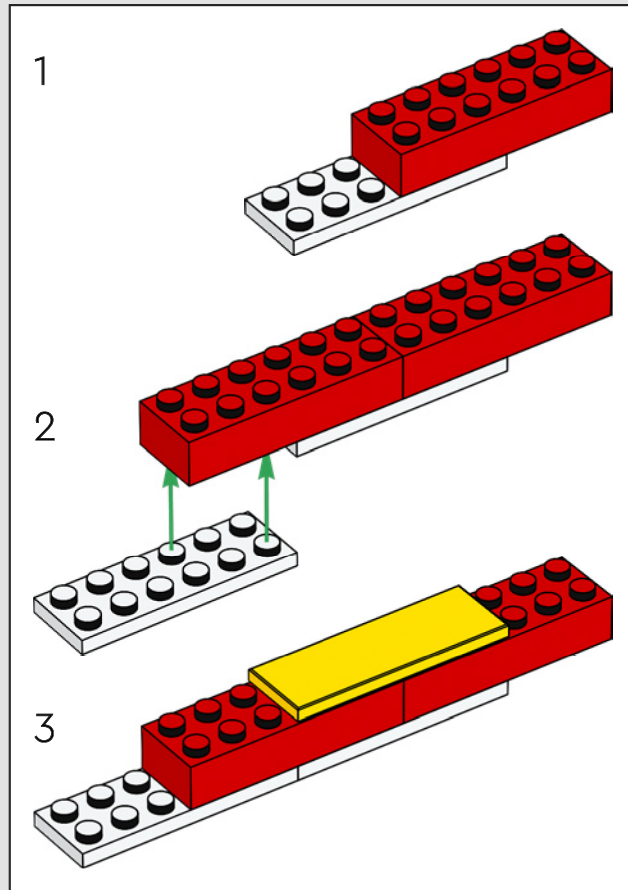
249

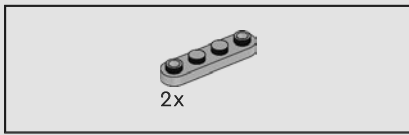
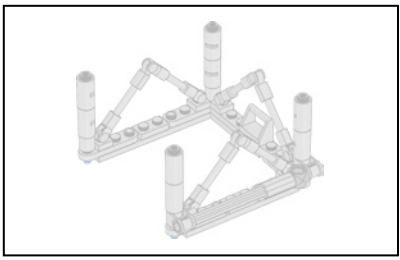




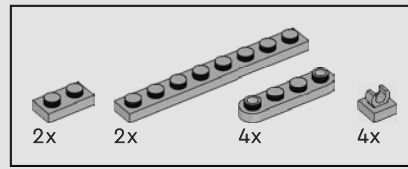
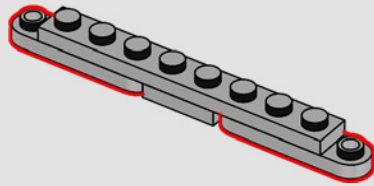


250

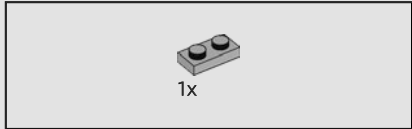
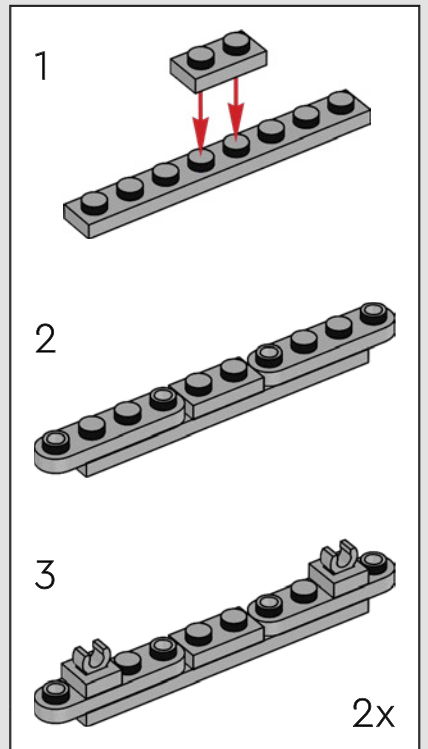




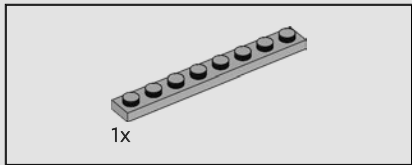
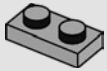
253



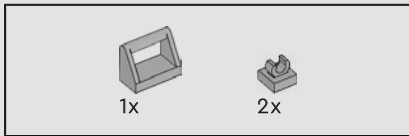
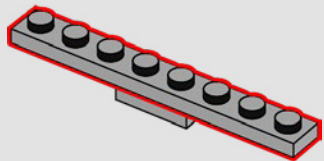
255



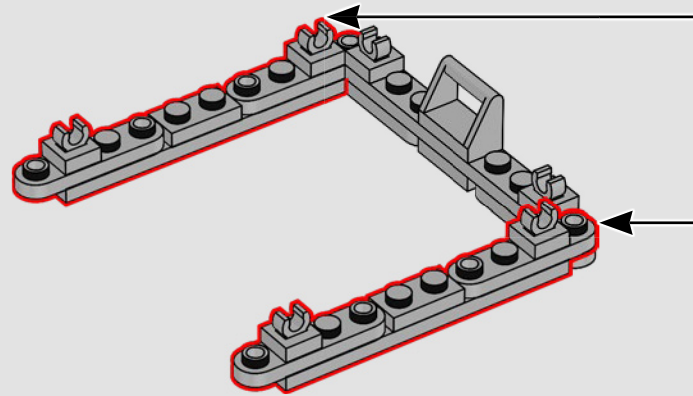
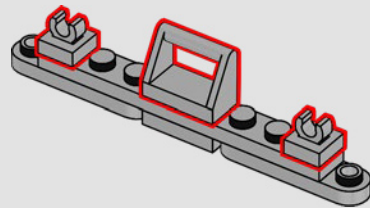
251

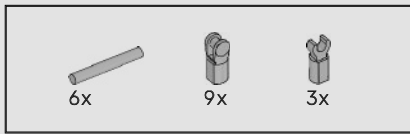


252

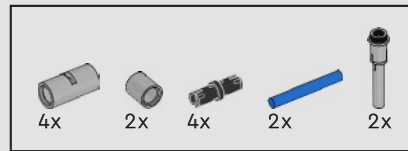
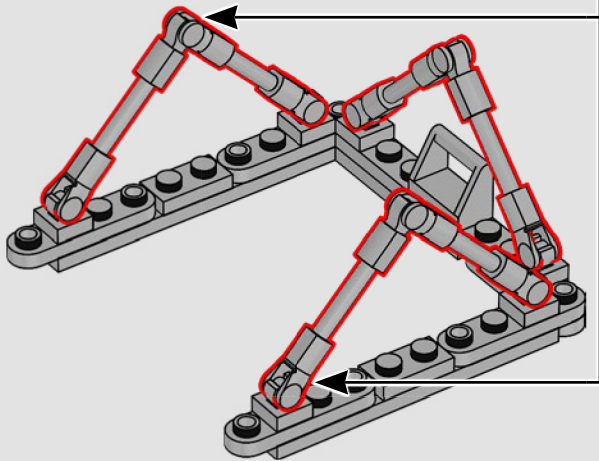
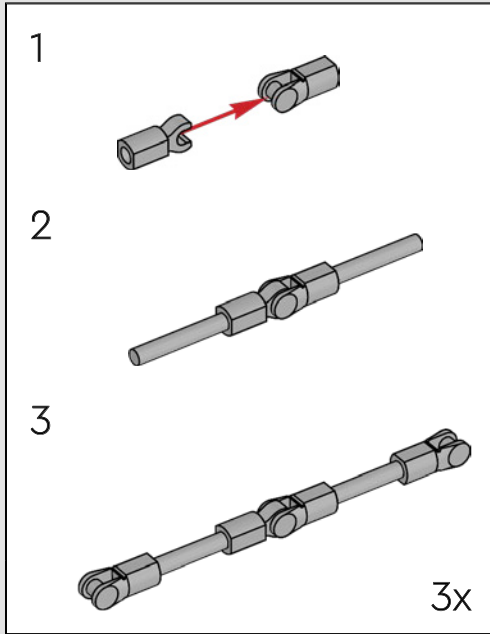


254

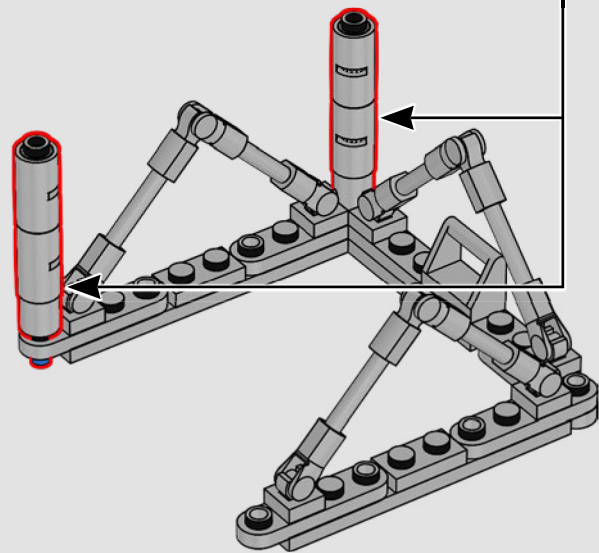
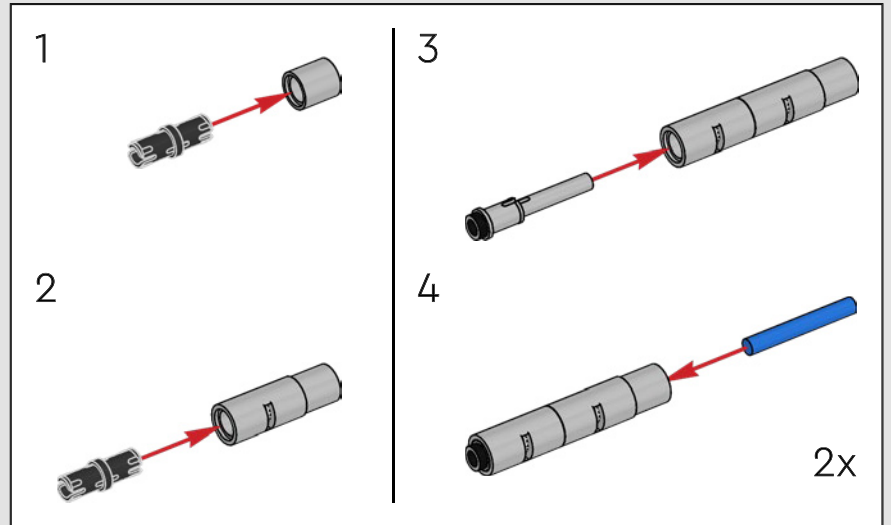


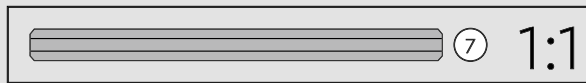
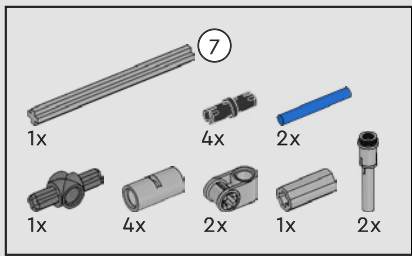


256



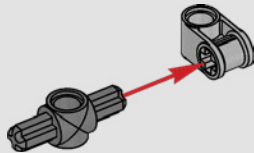
257



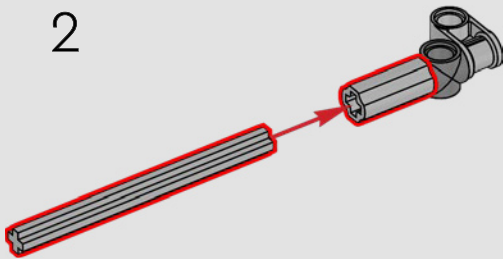


258

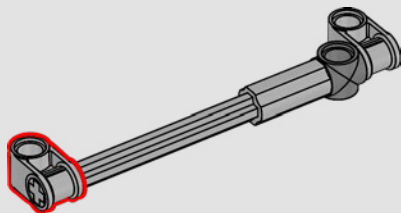
1



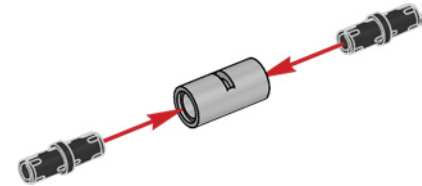
2



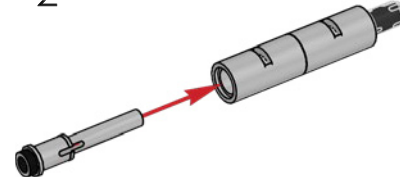
3



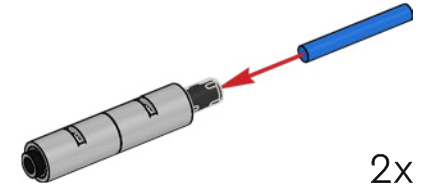
1



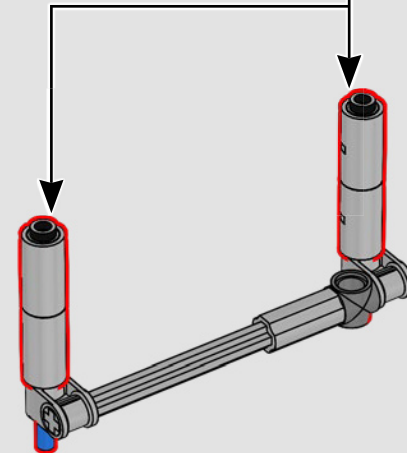
2

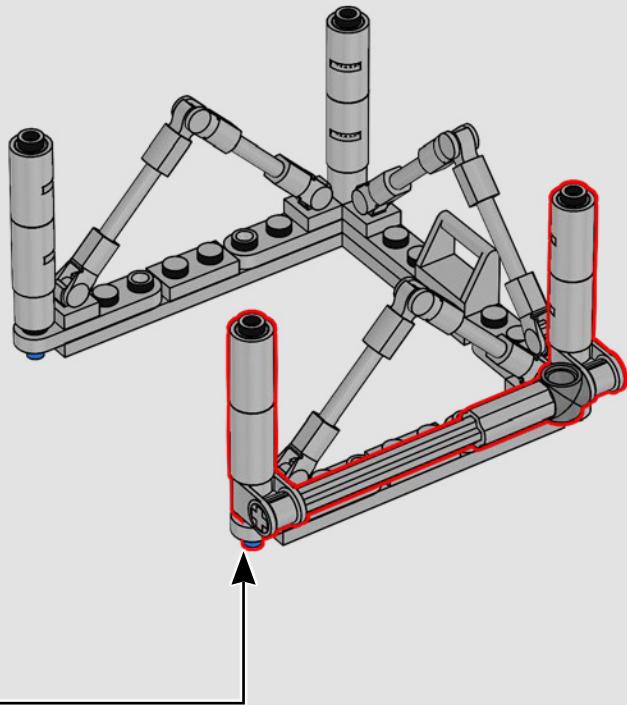


3

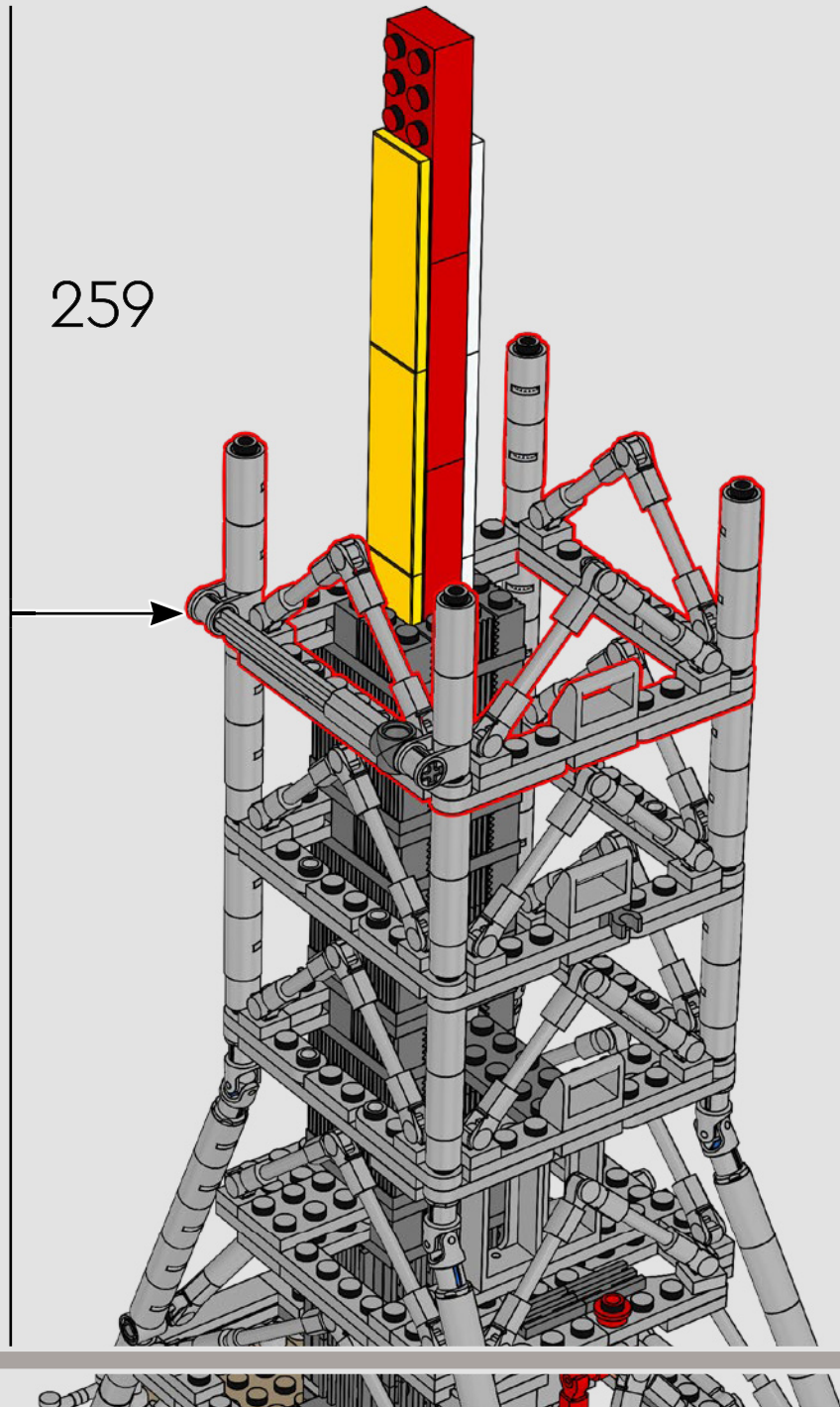


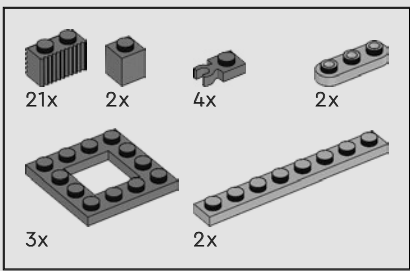
4





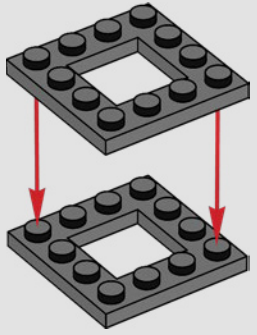
259



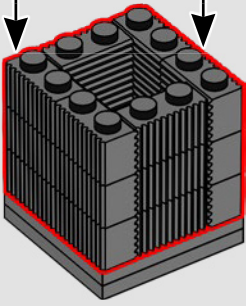


260

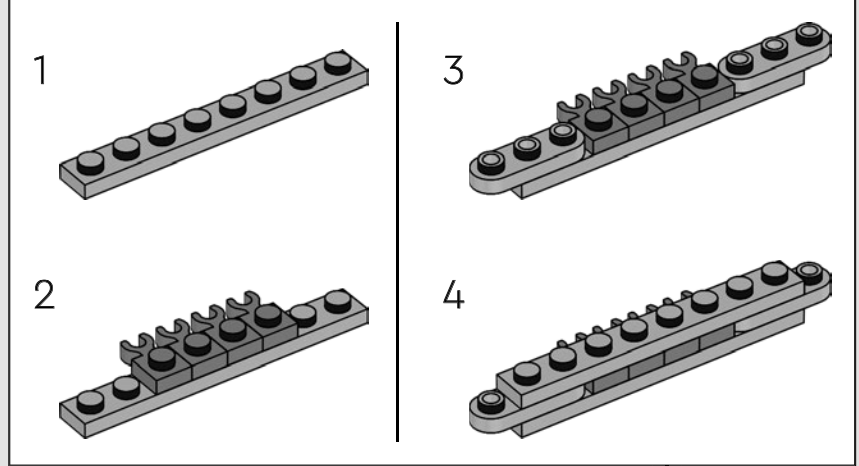
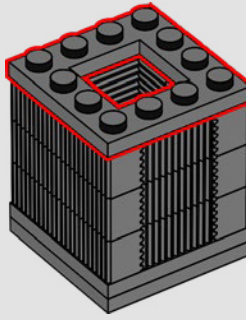
1



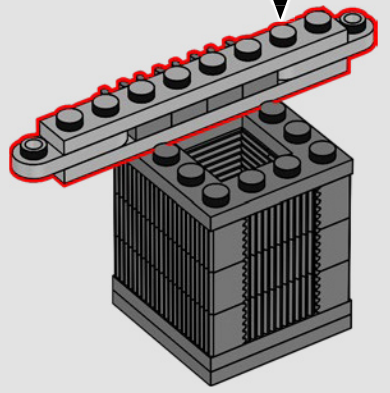
2



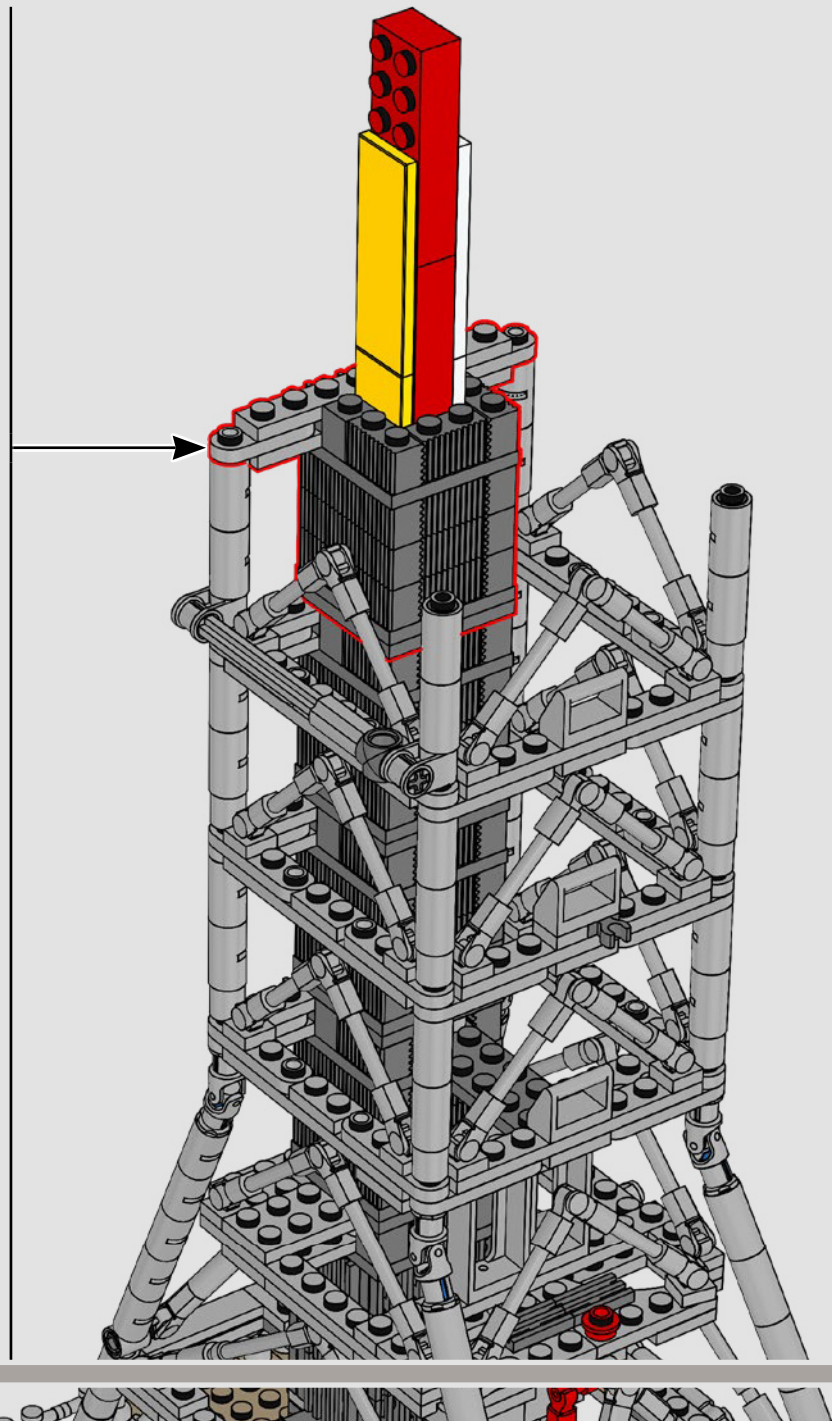
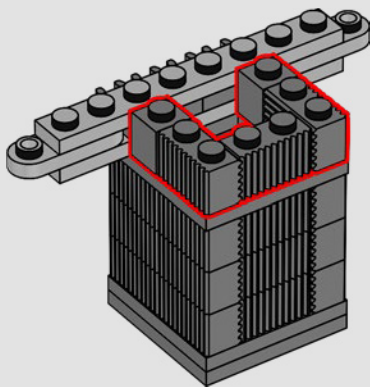
3

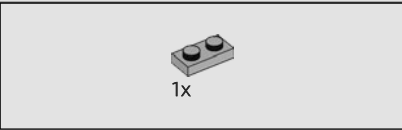
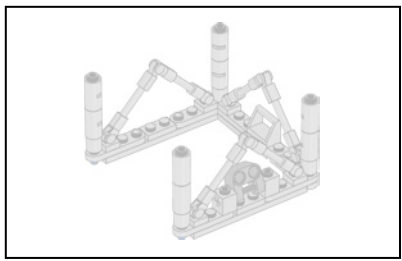


4

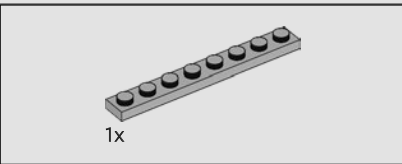
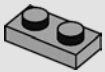


5

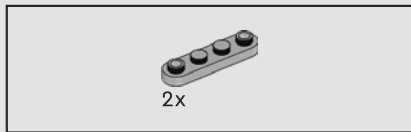
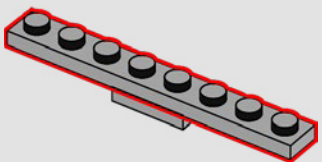




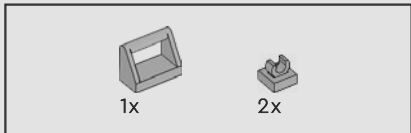
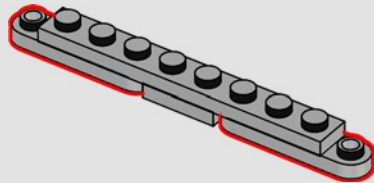
261



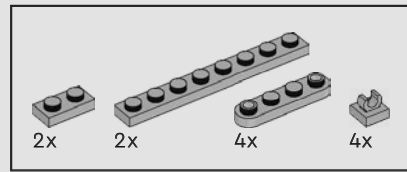
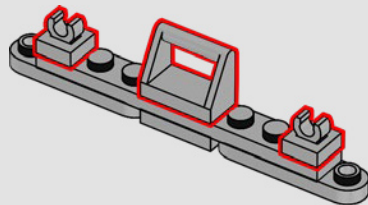
262



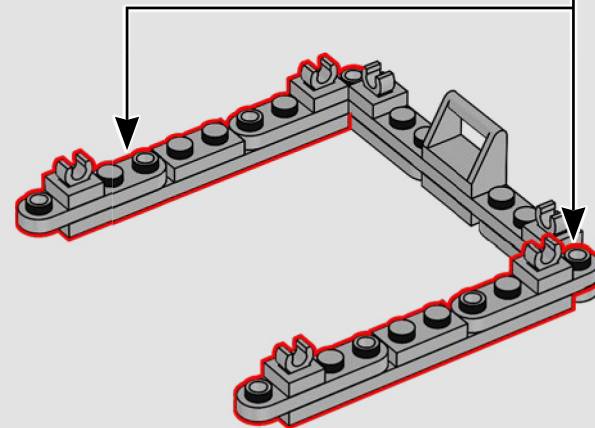
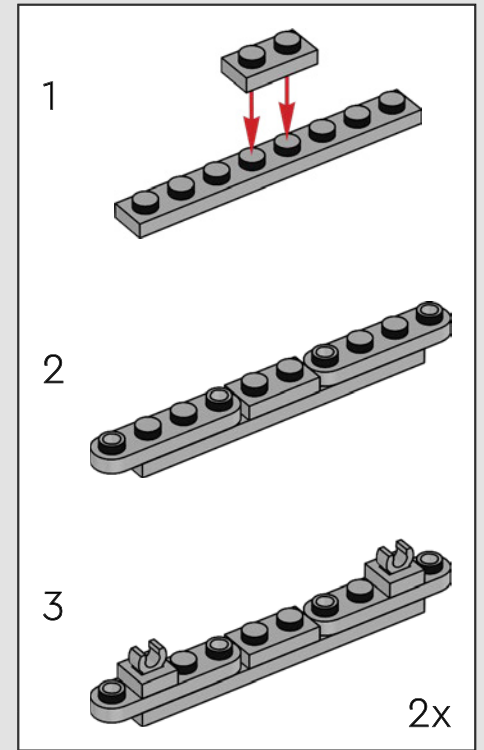
263

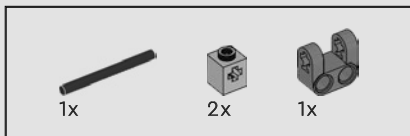


264

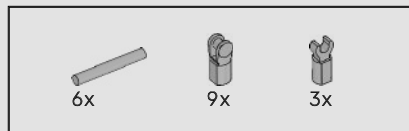
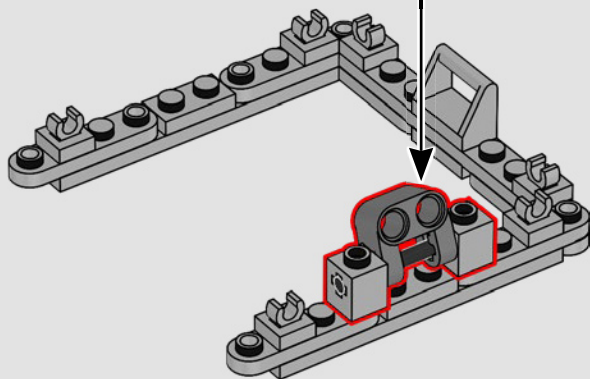
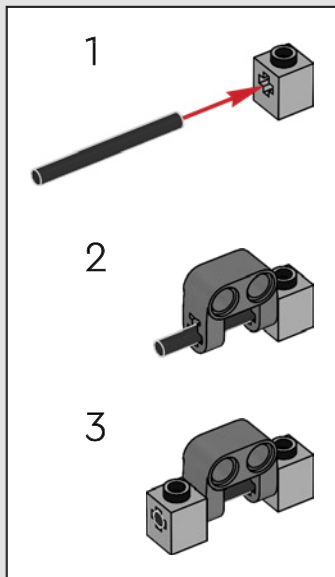


265

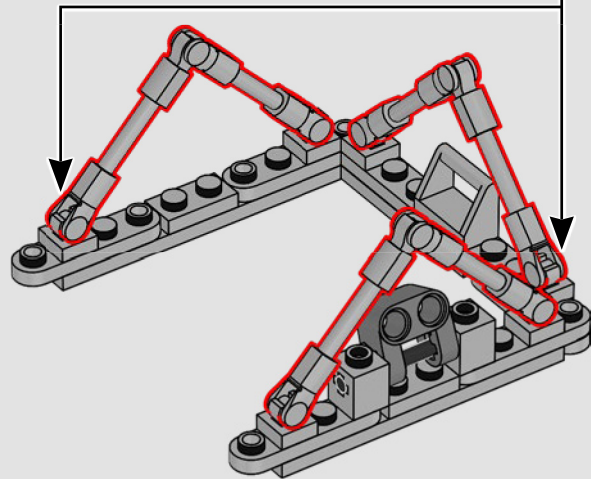
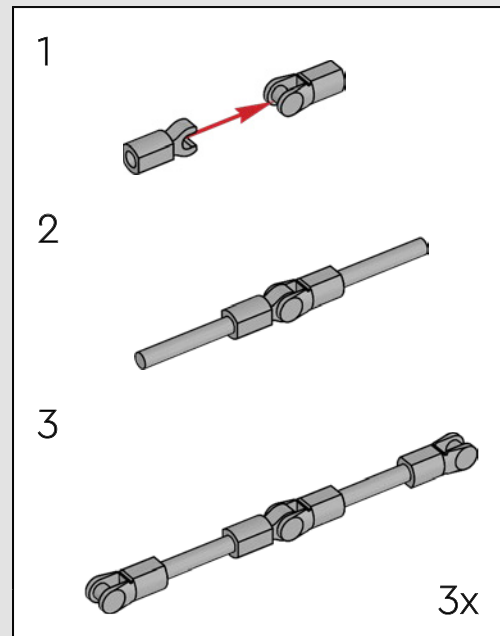


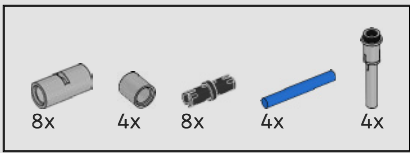


266

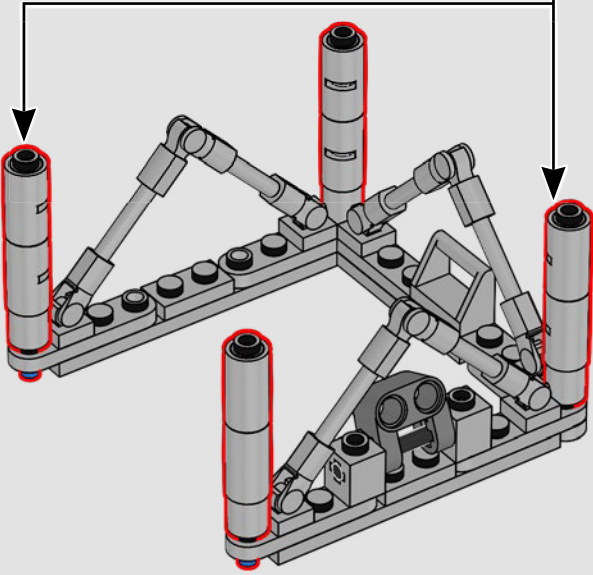
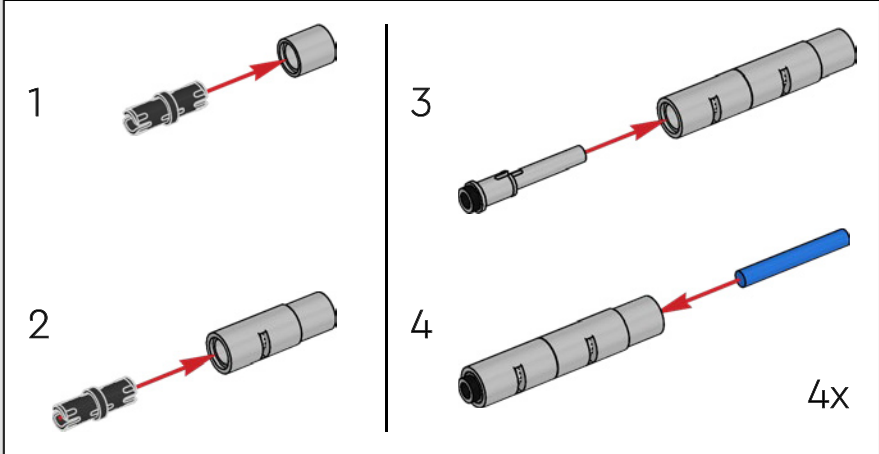


267

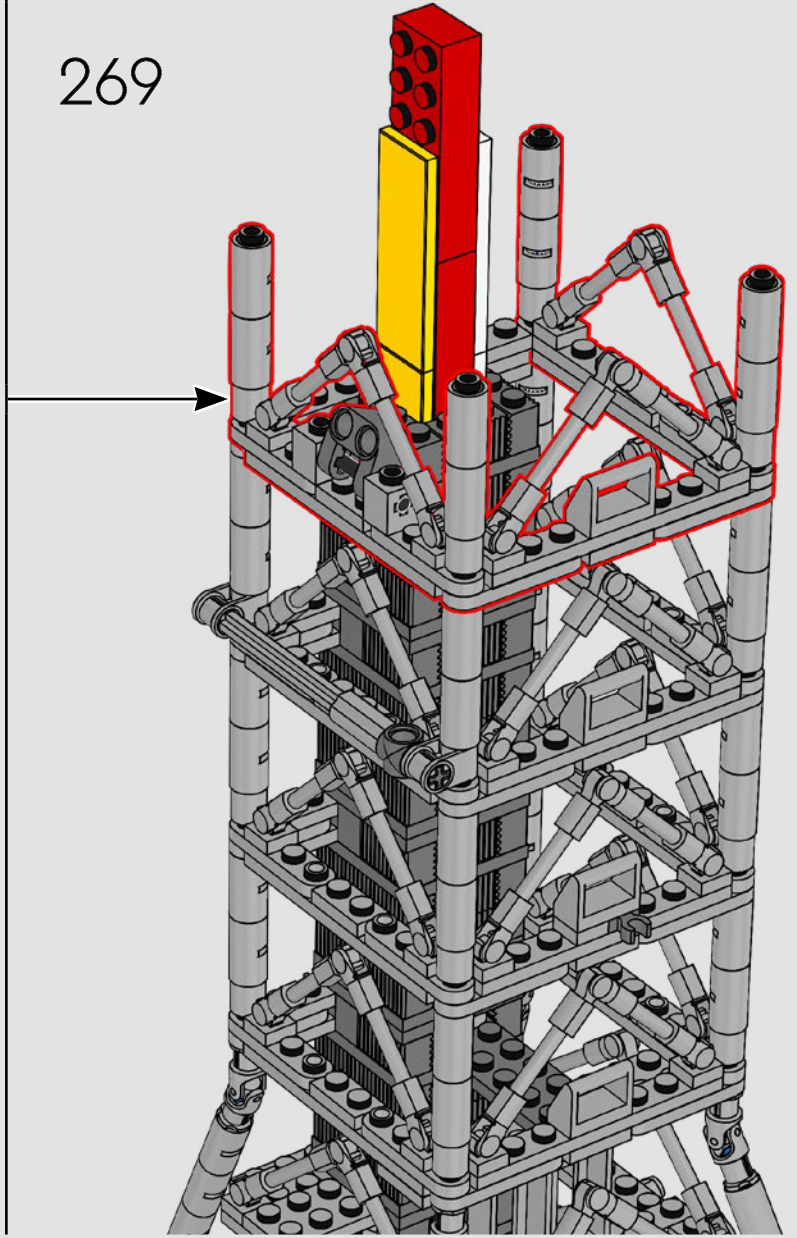


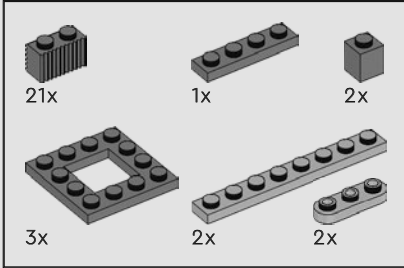
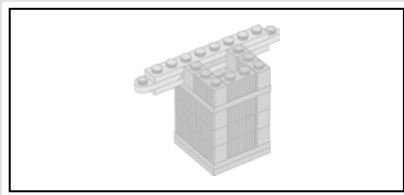


268



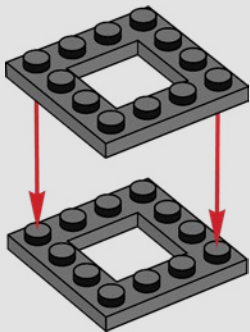
269



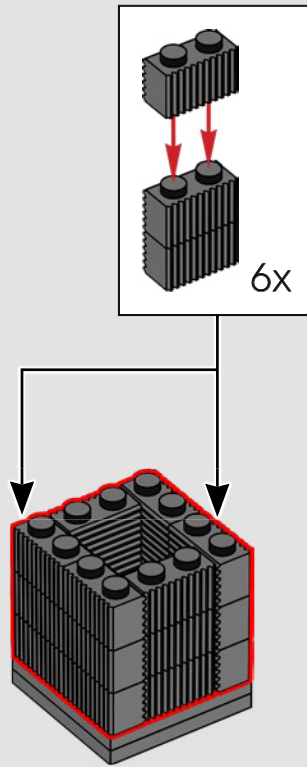


270

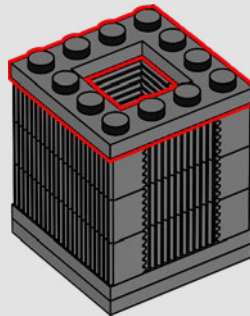
1



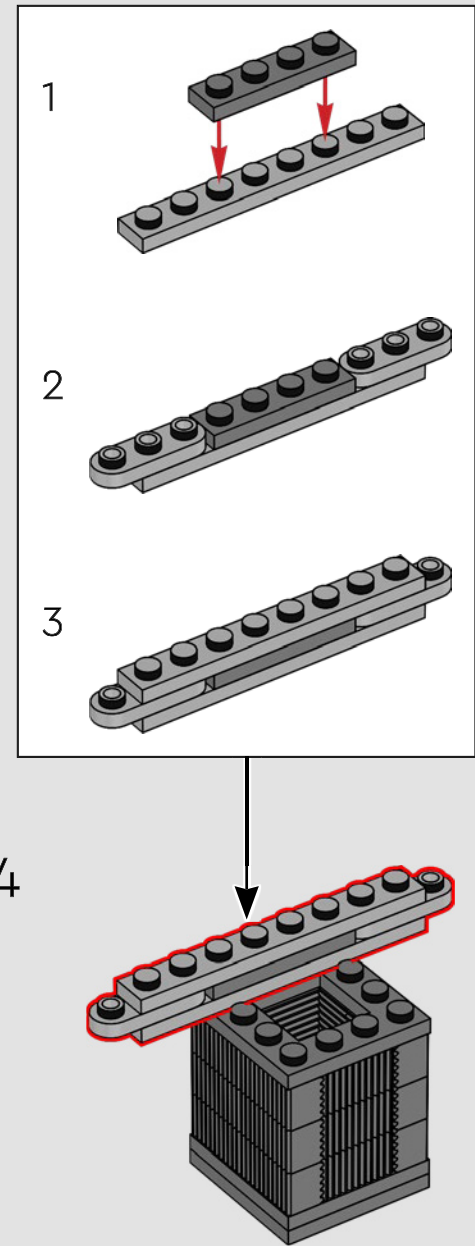
2



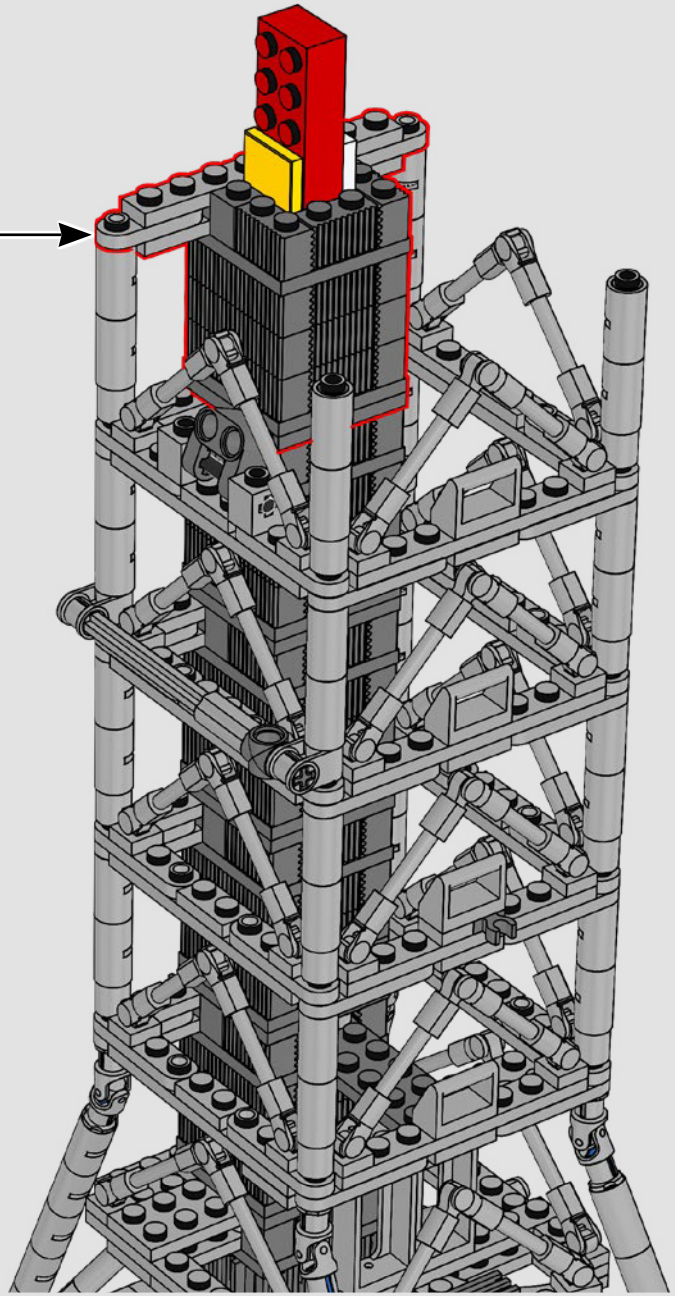
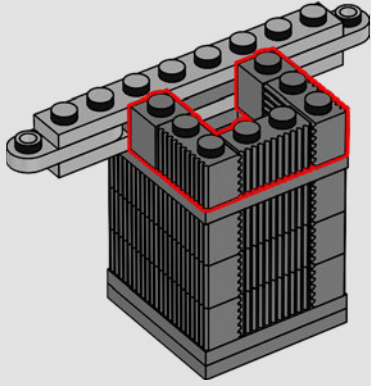
3

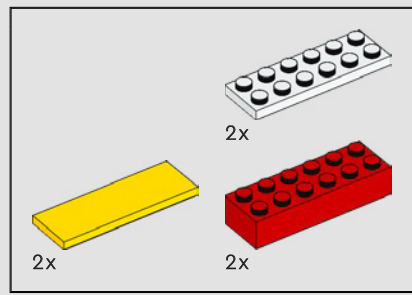
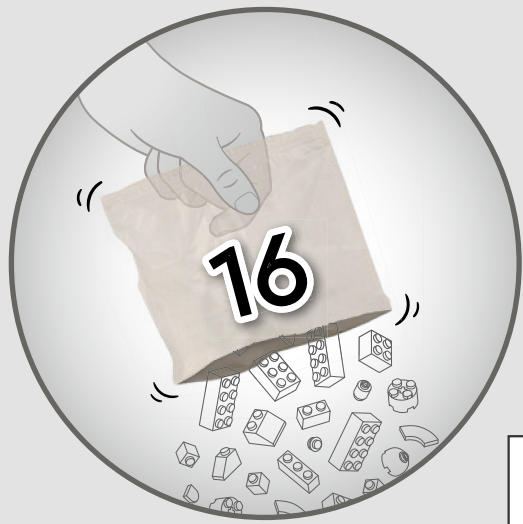


4

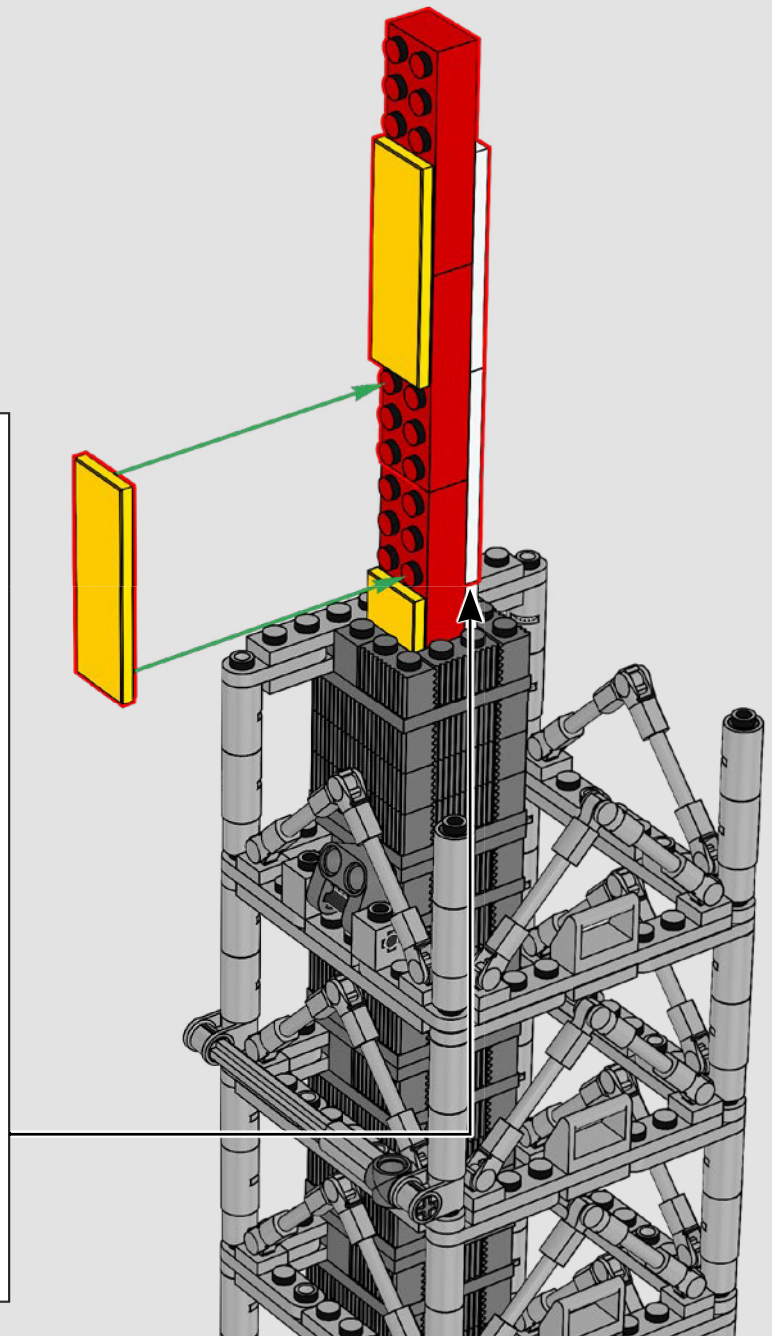
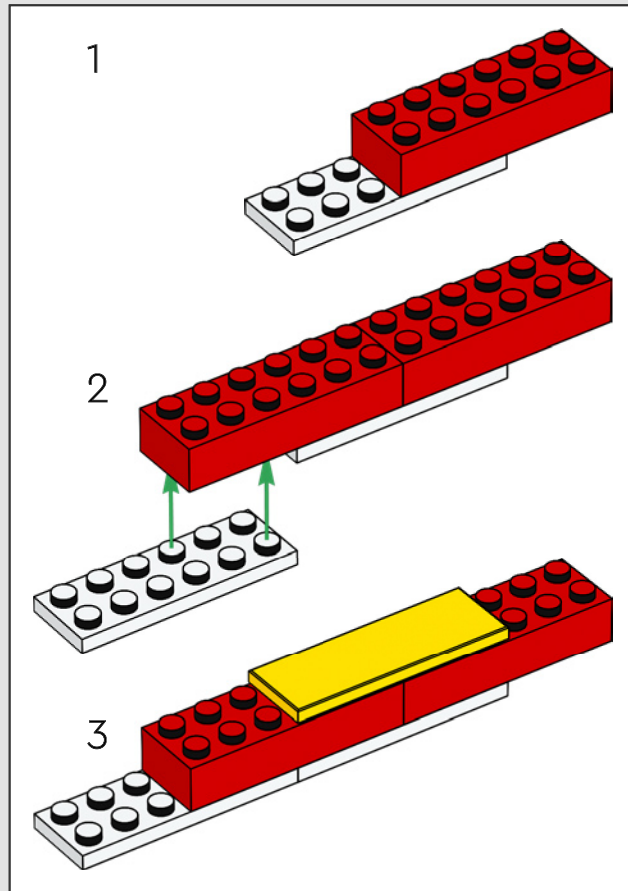


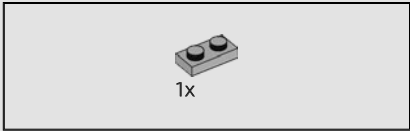
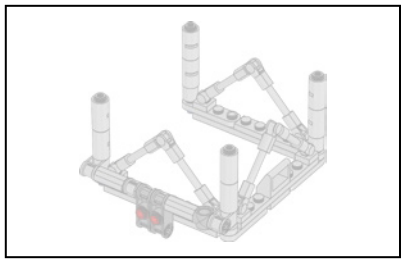
5





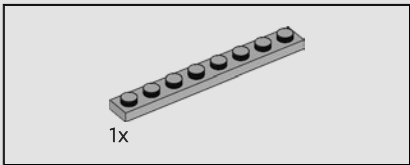
271





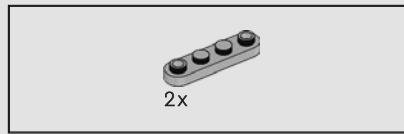
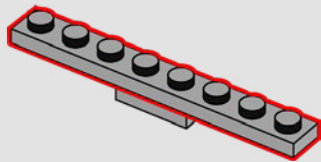
1x

272



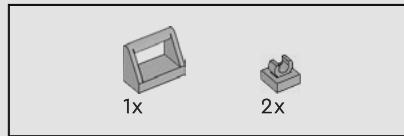
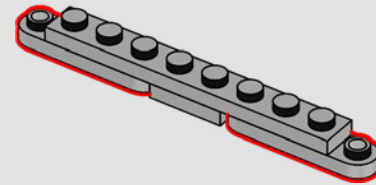
1x

273



2x

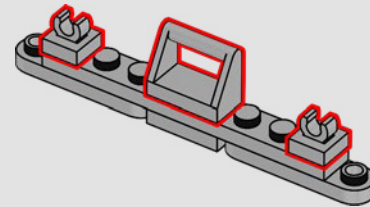
274

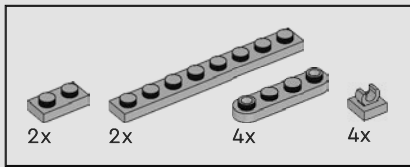


1x

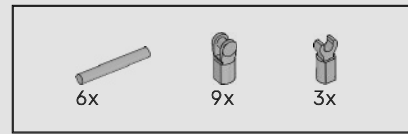
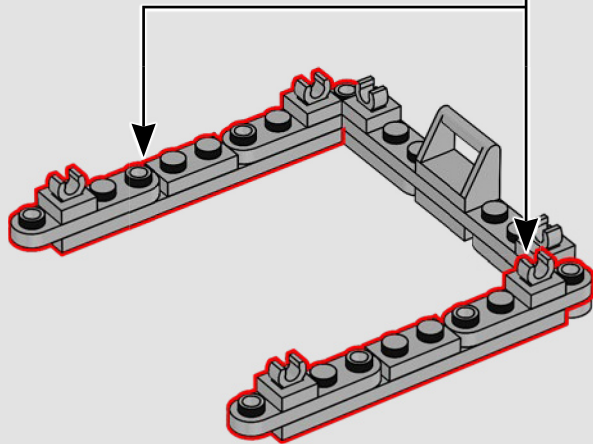
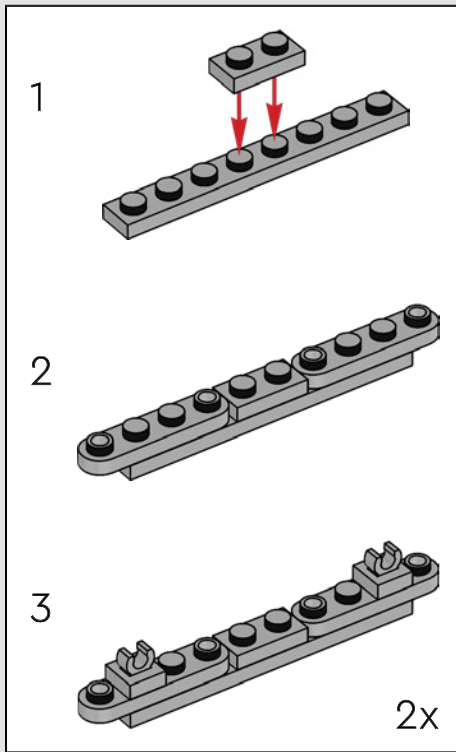
2x

275

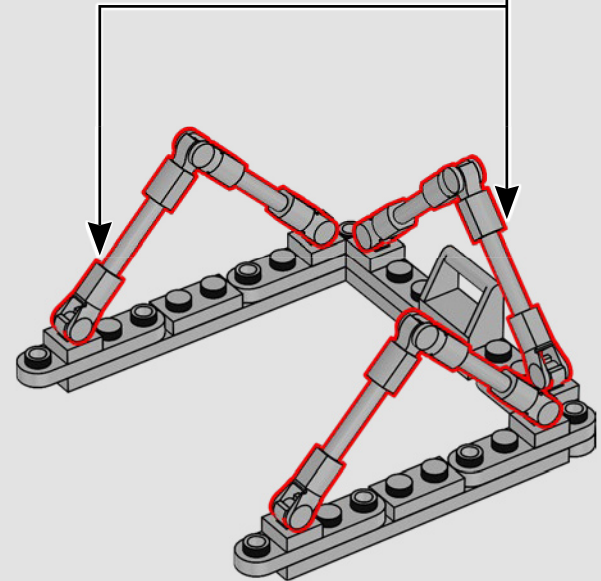
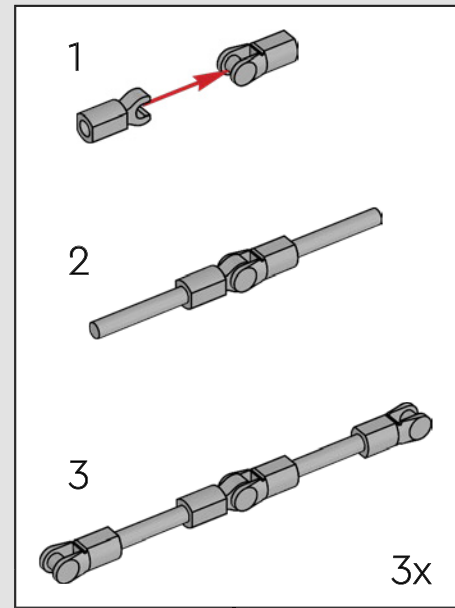


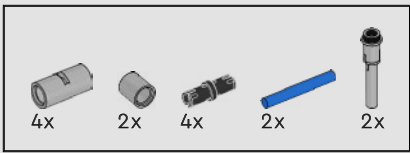


276

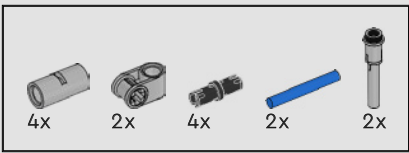
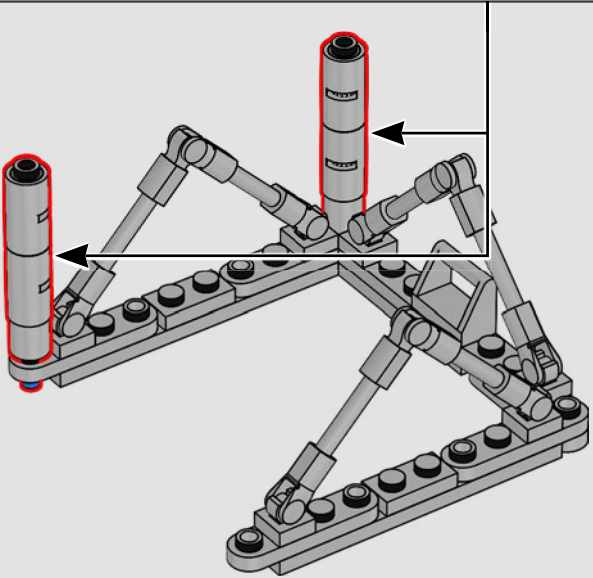
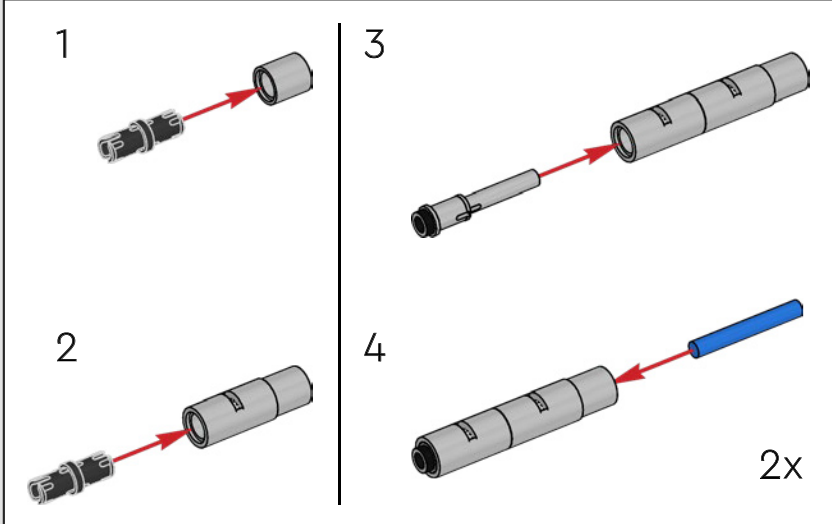


277

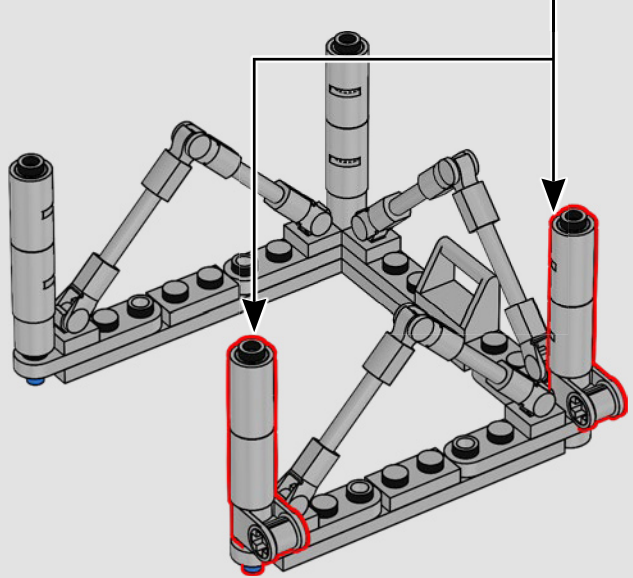
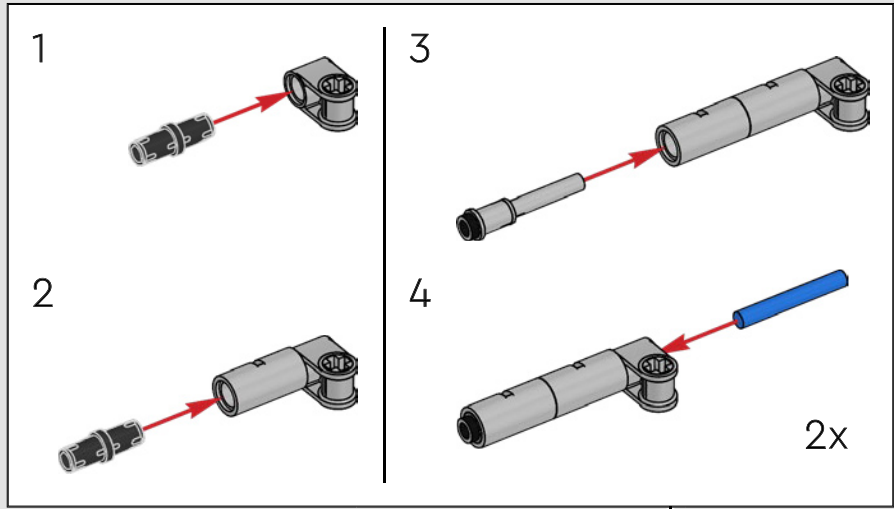


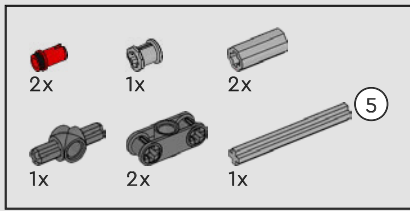


278

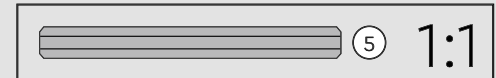
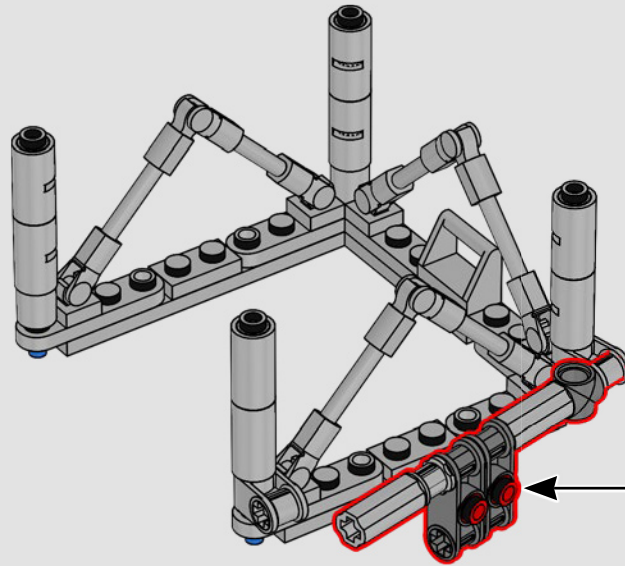
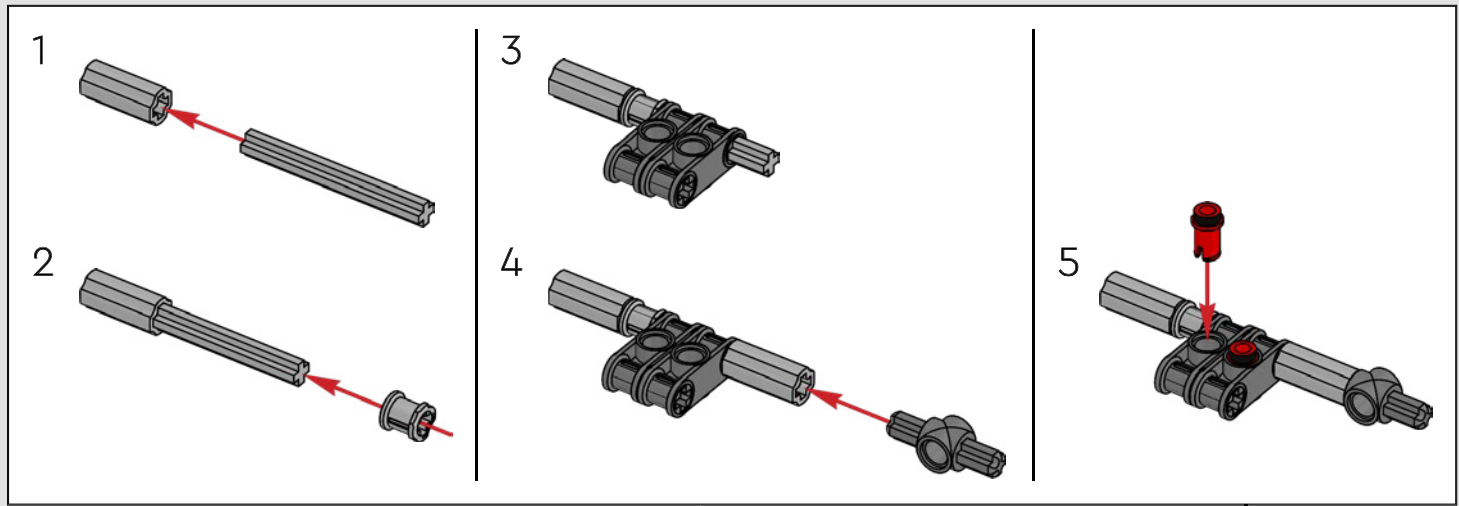


279



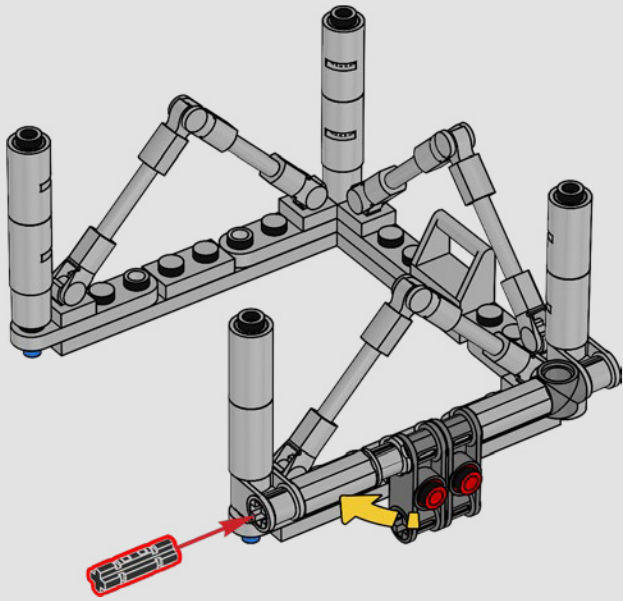


280

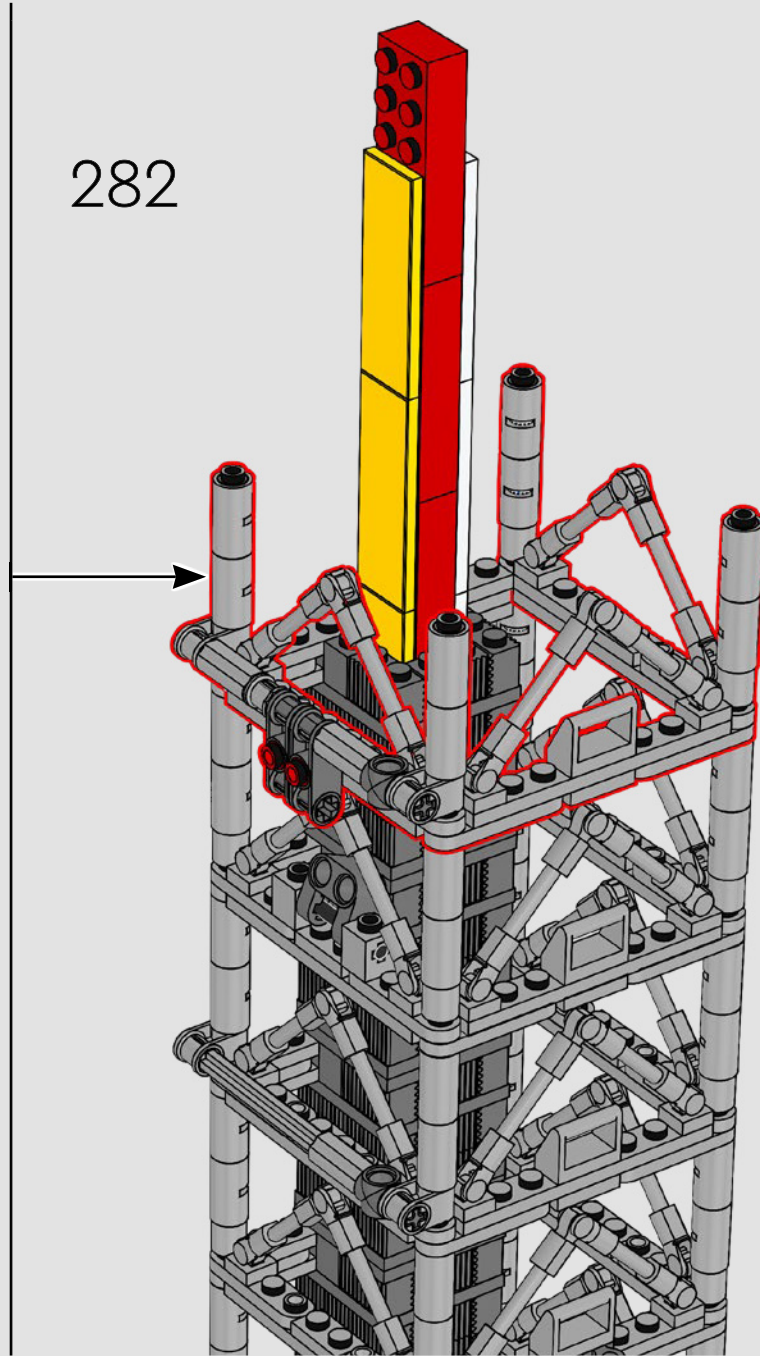


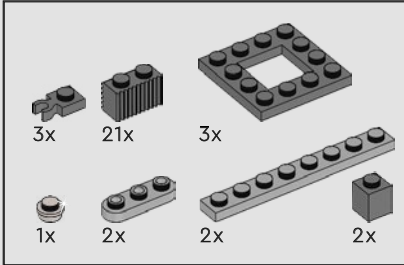
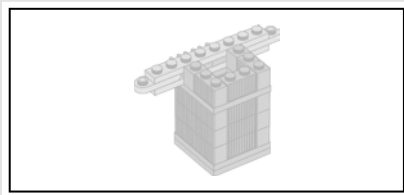
1x

281



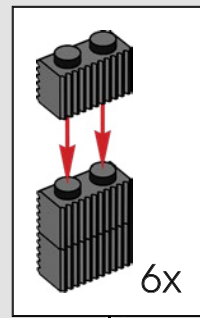
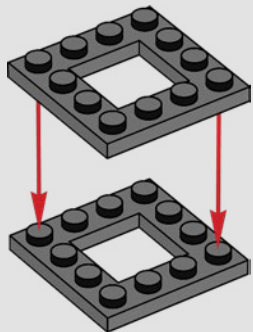
282



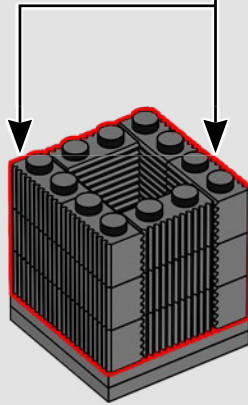


283

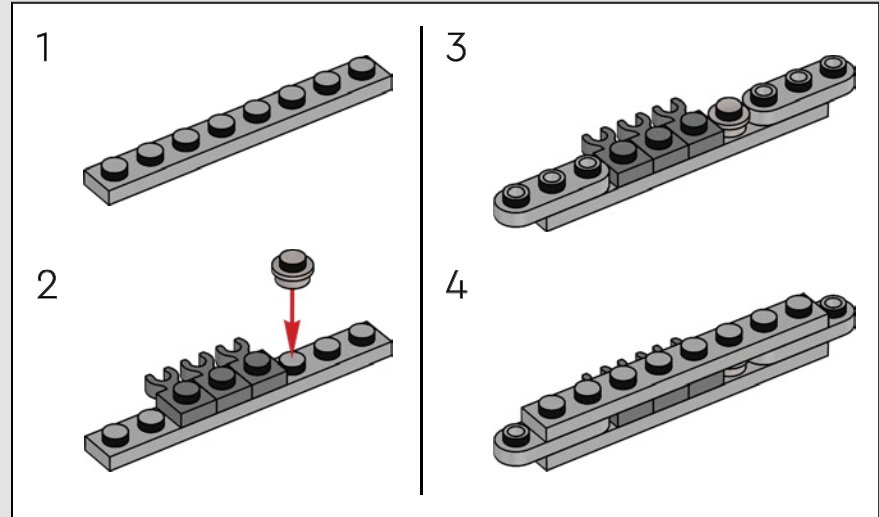
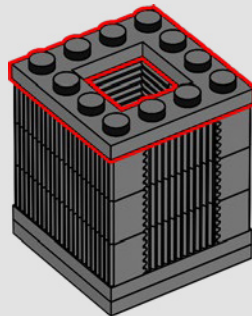
1



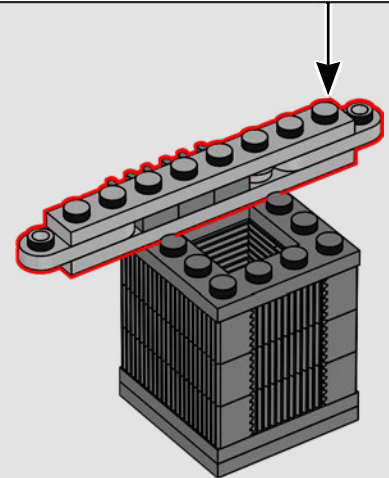
2



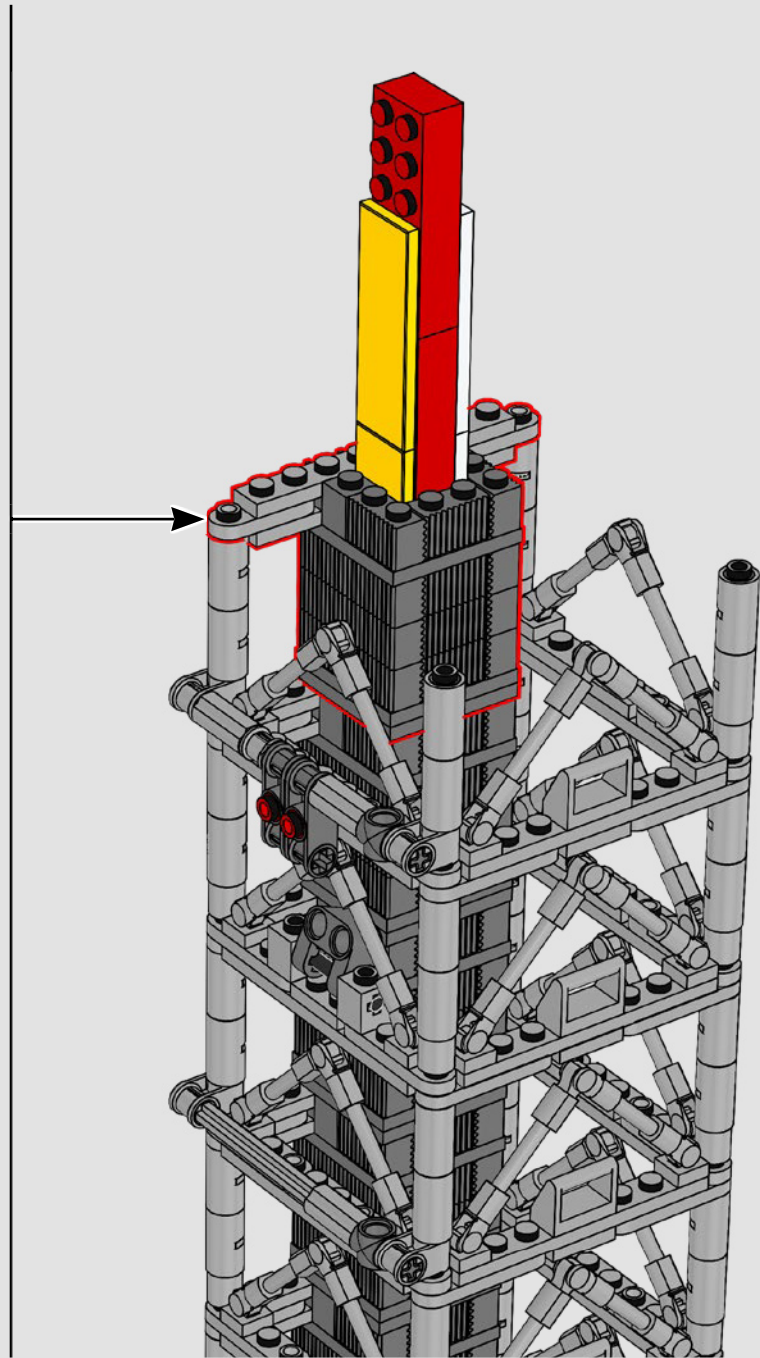
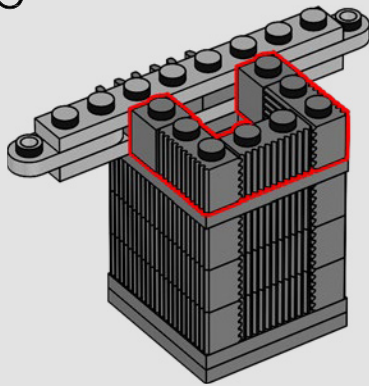
3

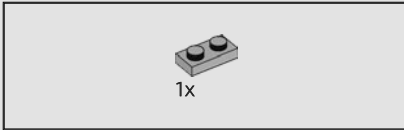
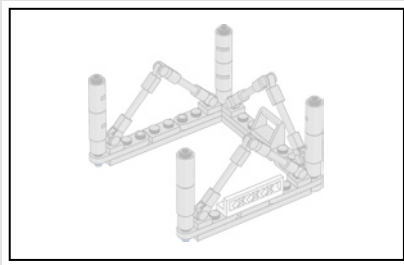


4



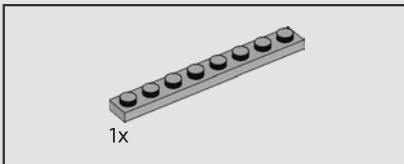
5





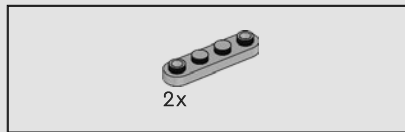
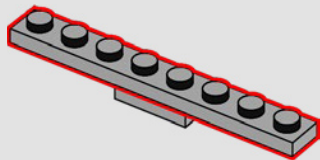
1x

284



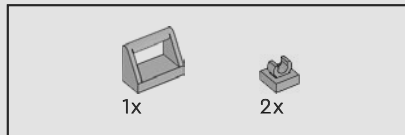
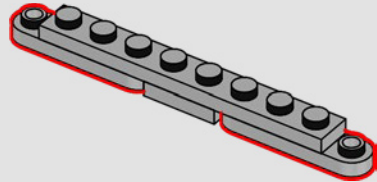
1x

285



2x

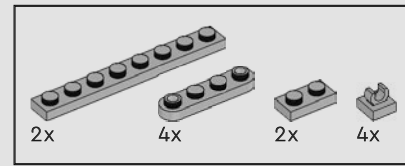
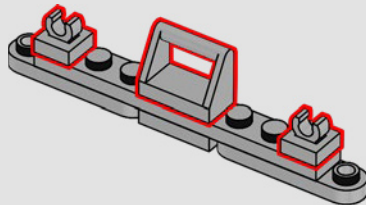
286



1x

2x

287



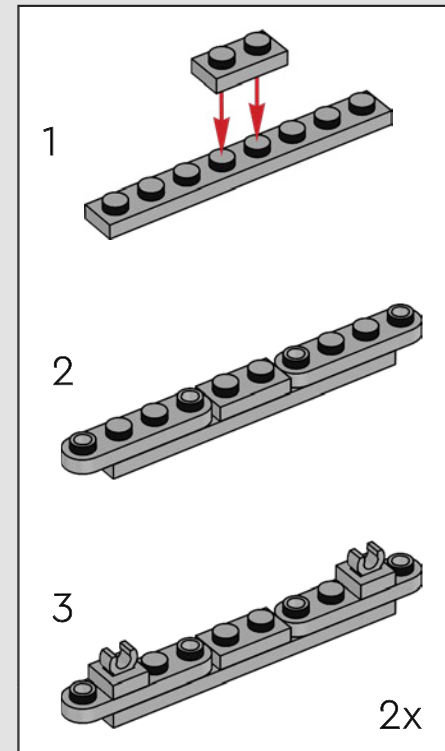
2x

4x

2x

4x

288

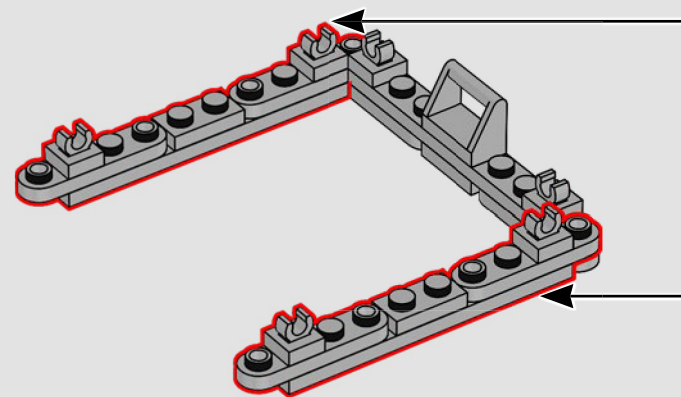


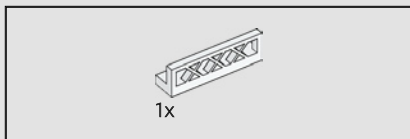
1

2

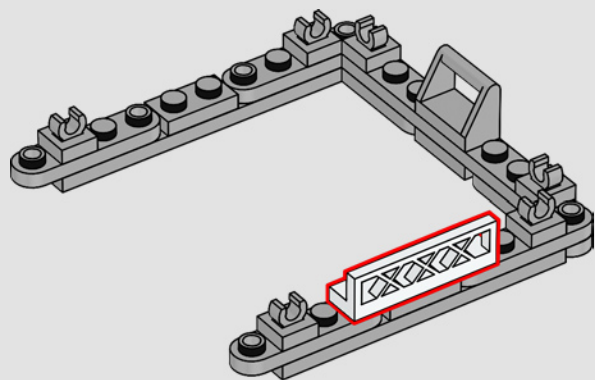
3

2x

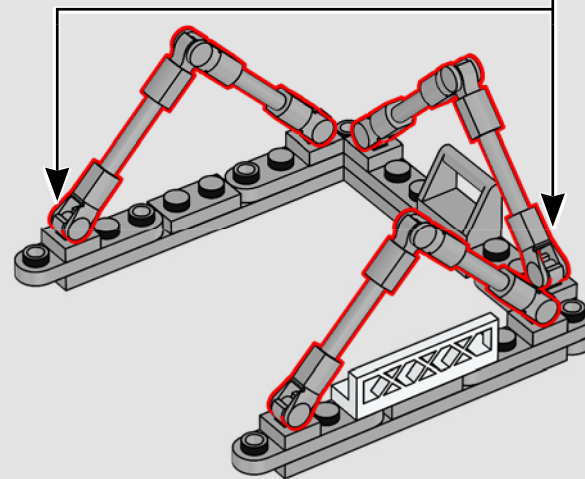
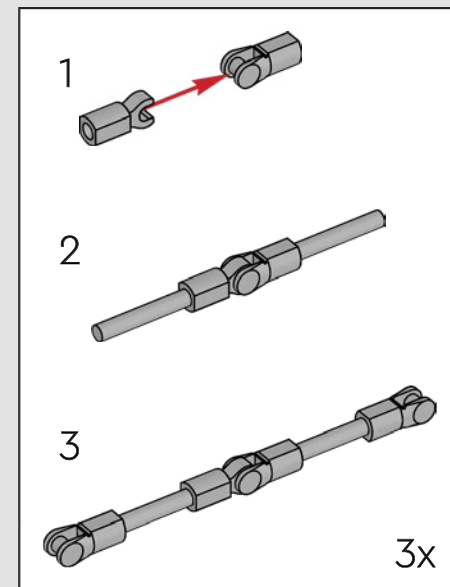


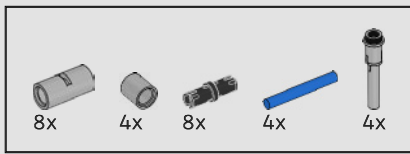


289

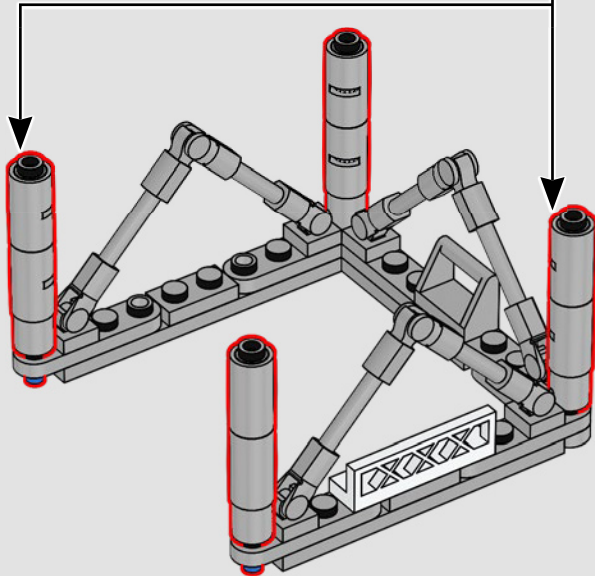
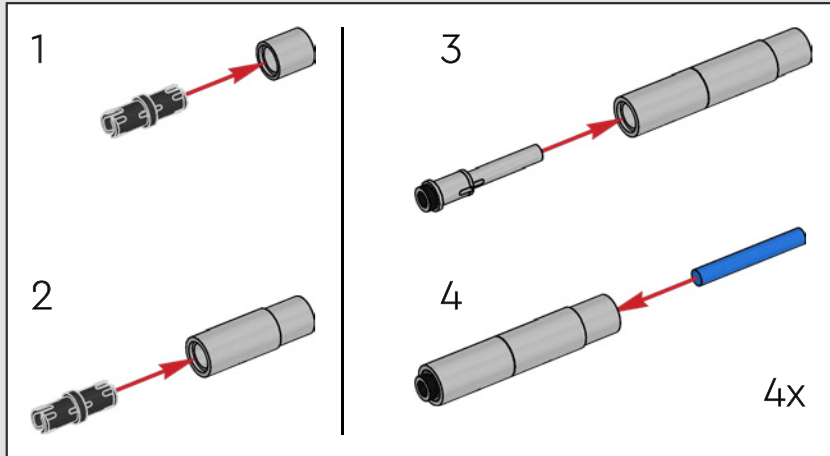


290

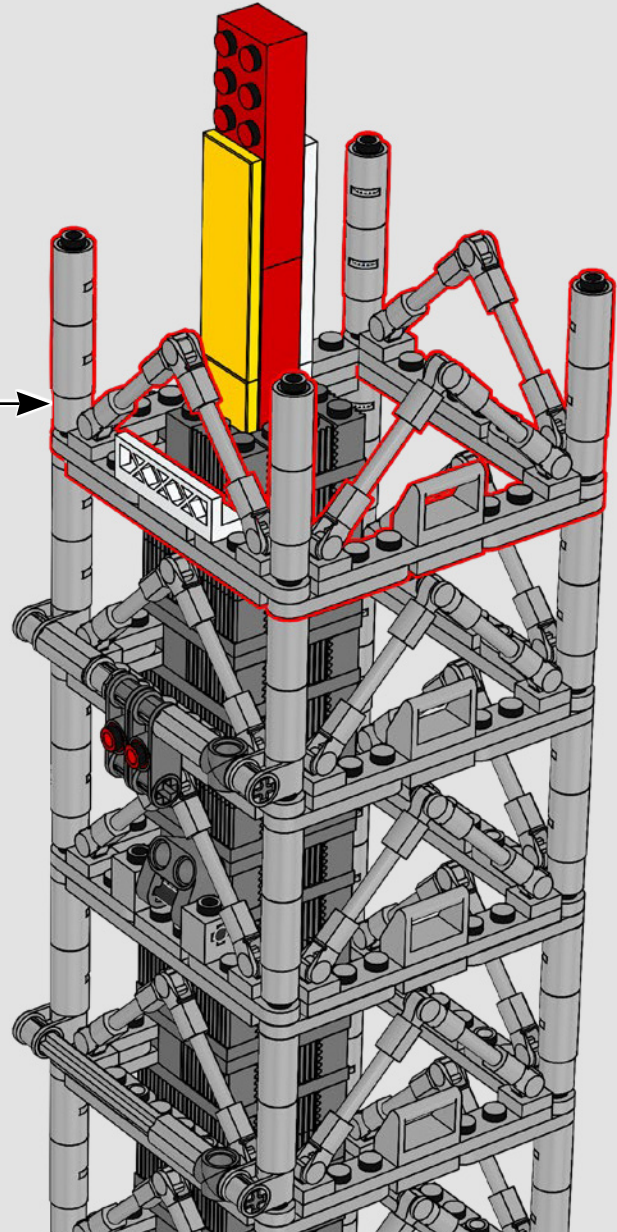


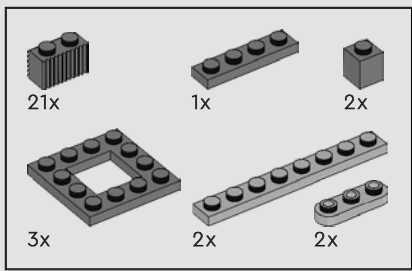


291



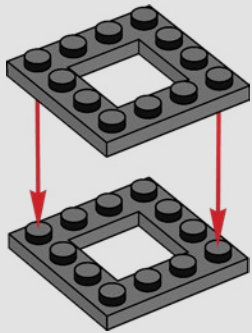
292



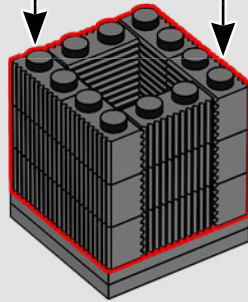


293

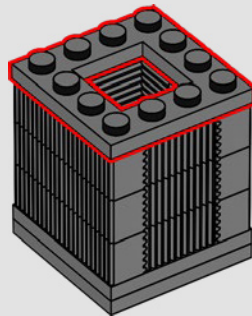
1



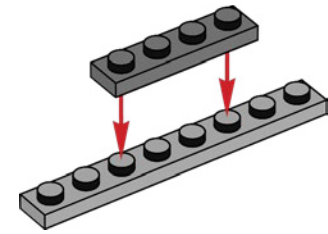
2



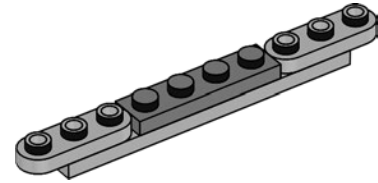
3



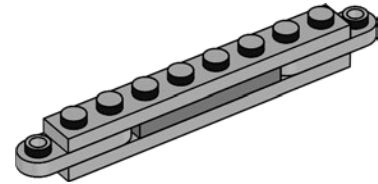
1



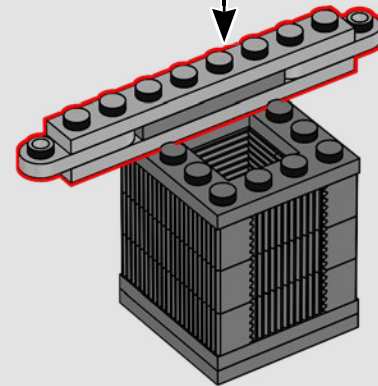
2



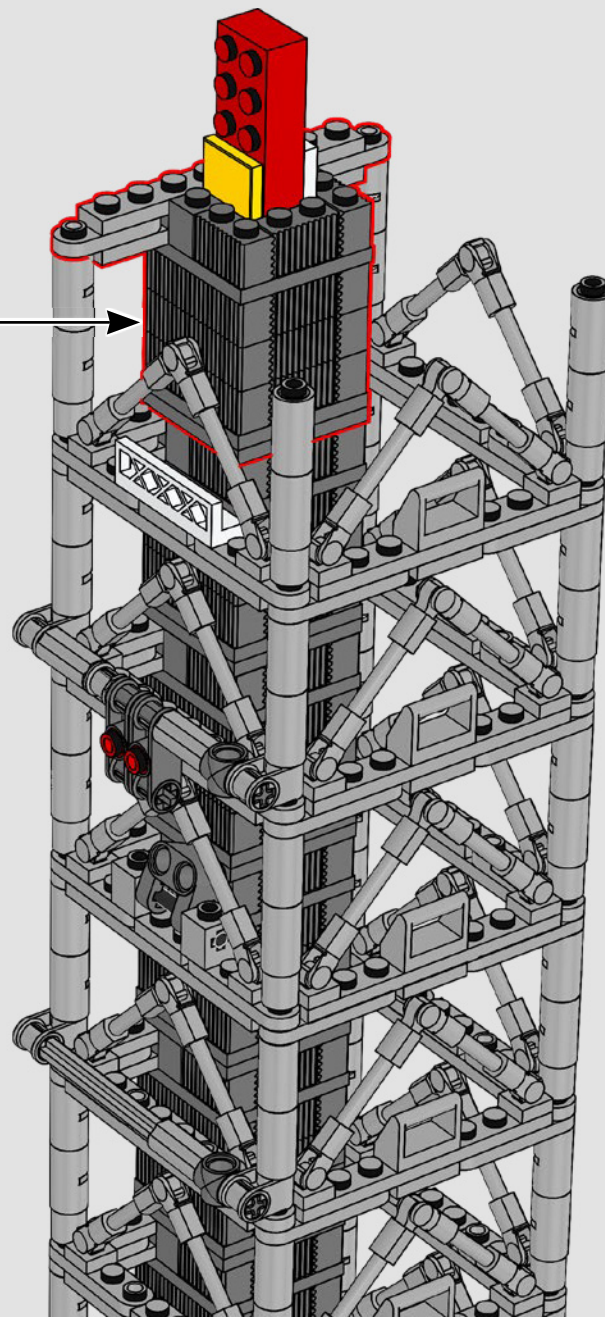
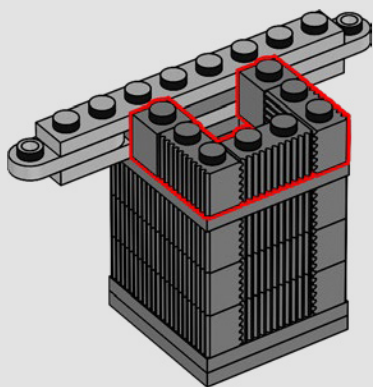
3

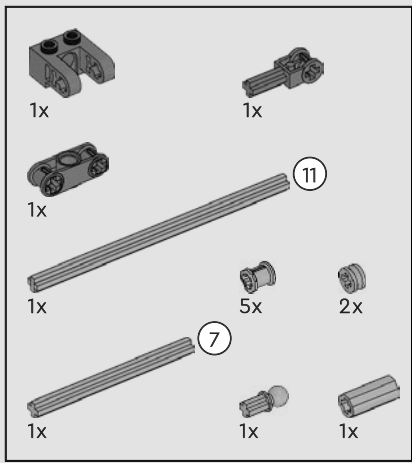


4

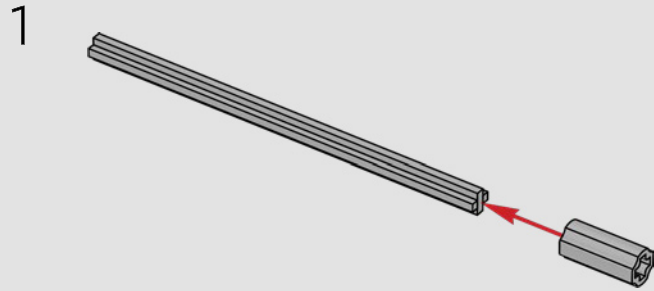


5

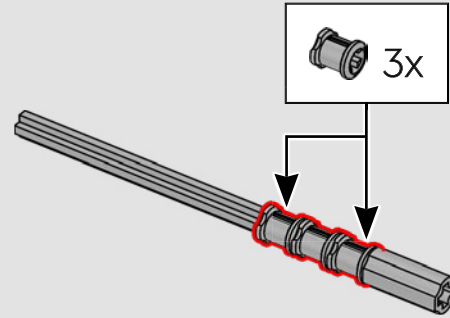




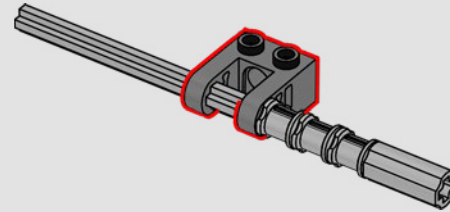
294

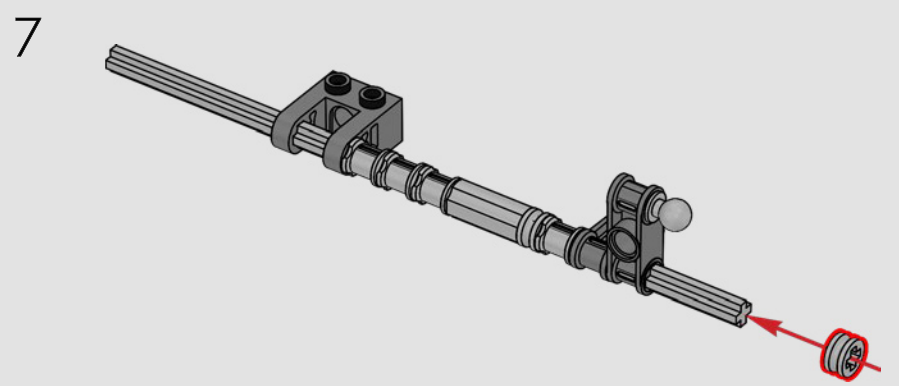
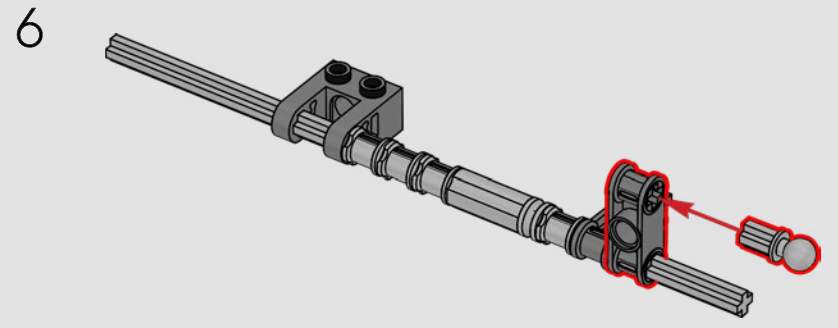
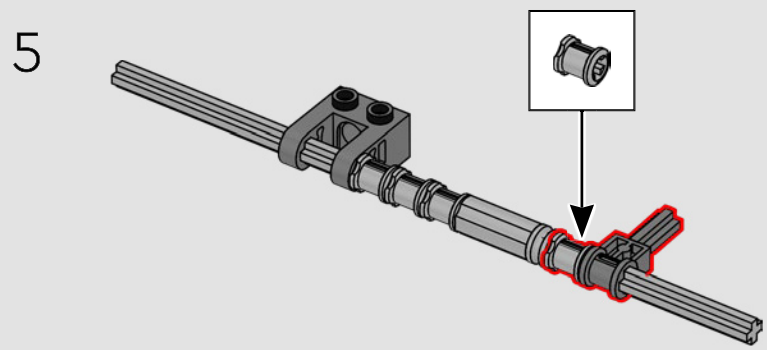
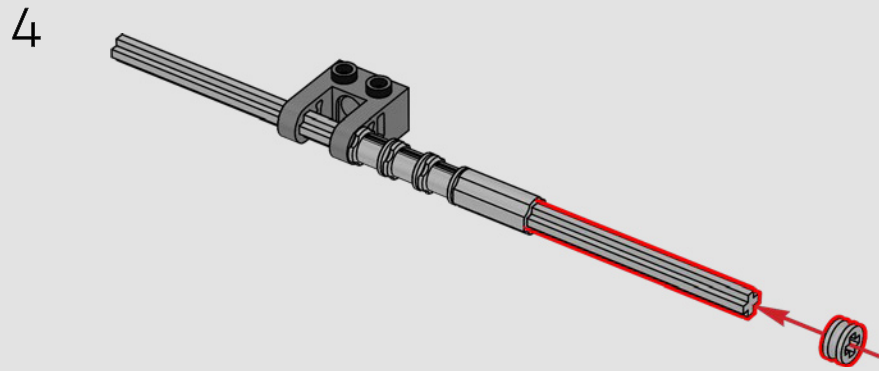


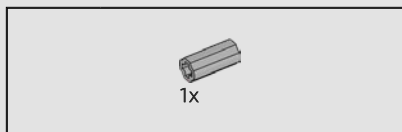
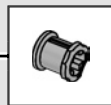
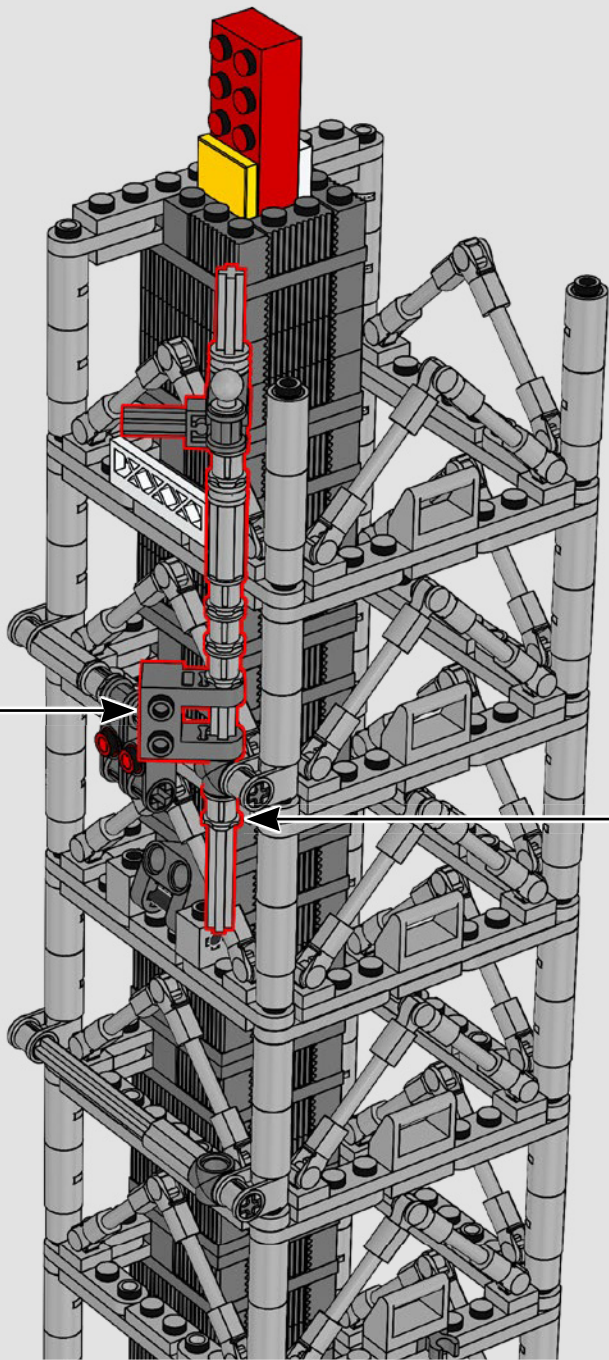
2



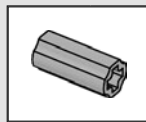
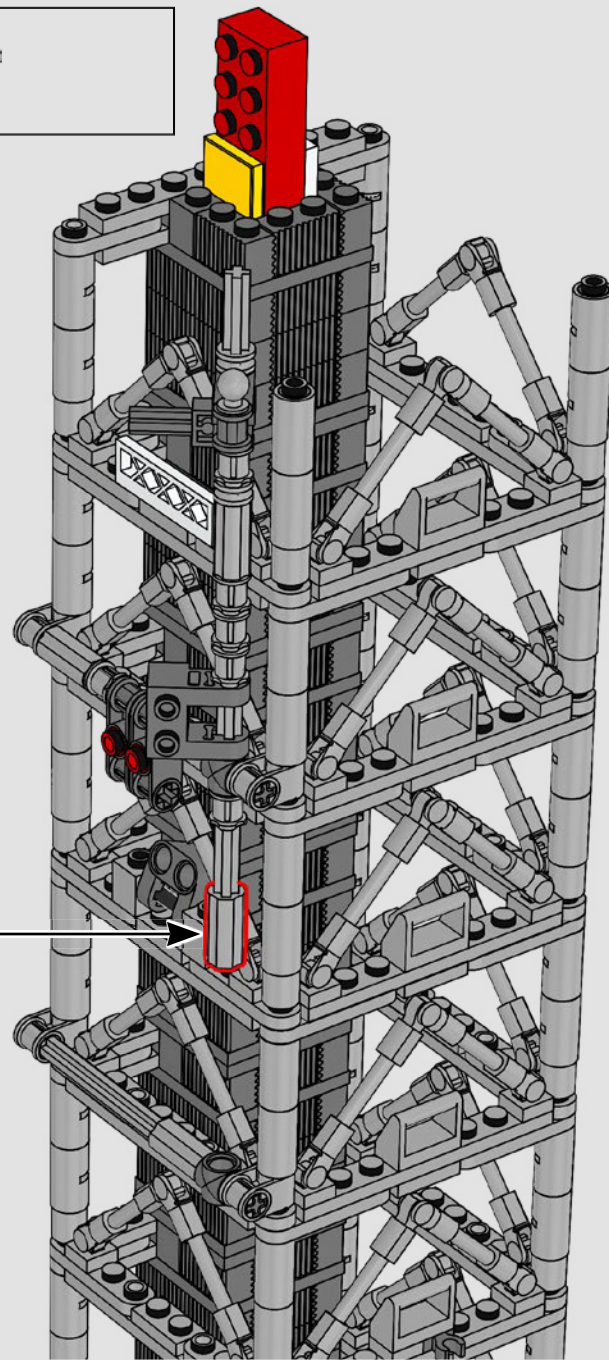
3

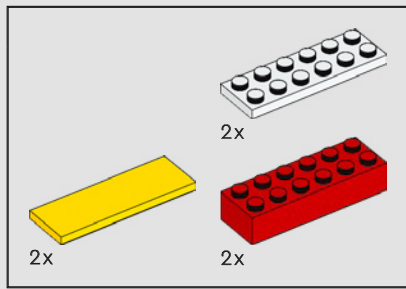




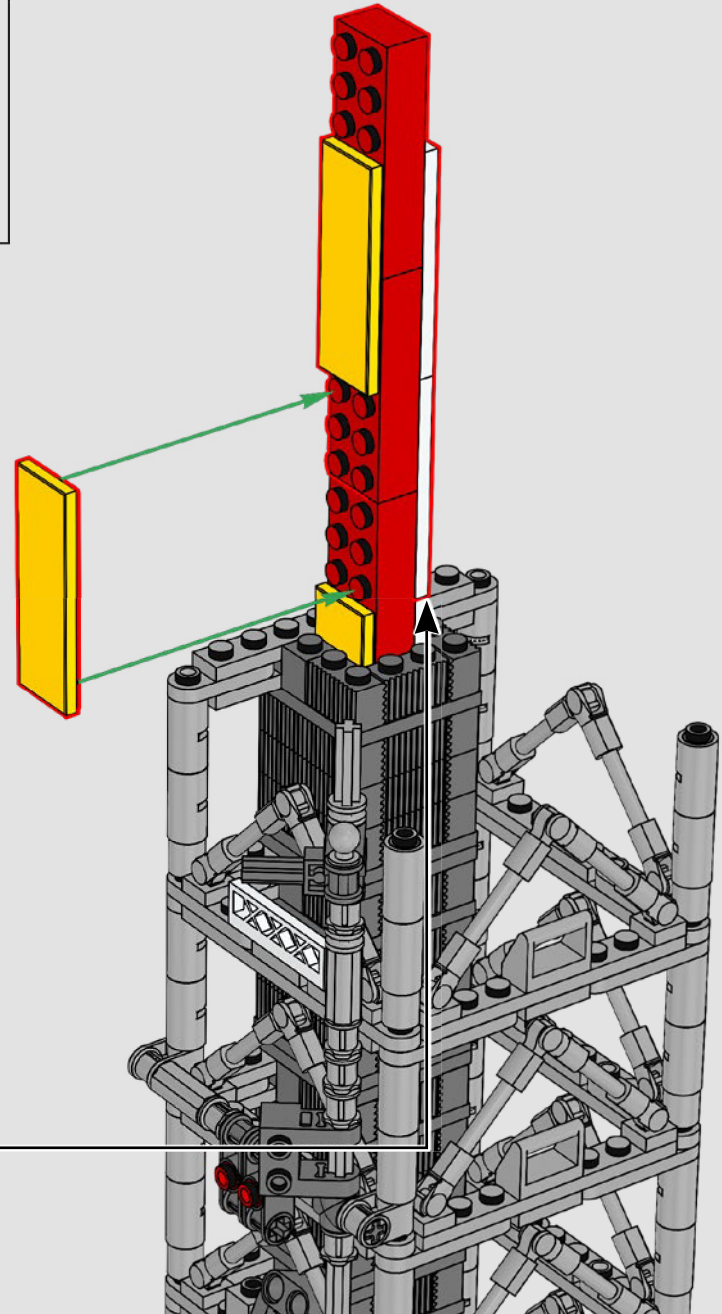
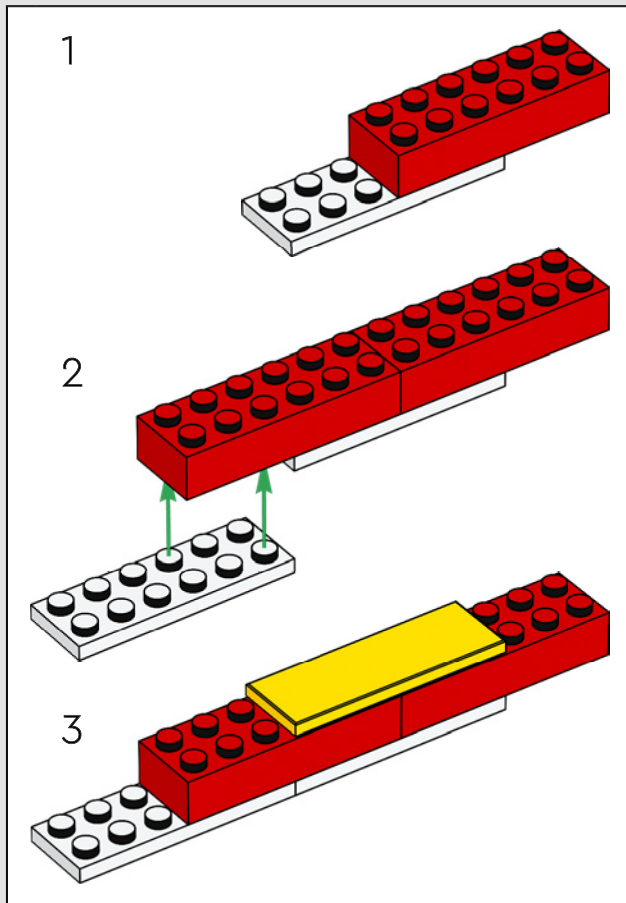


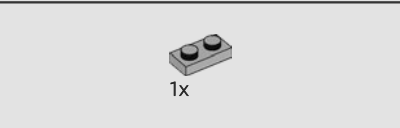
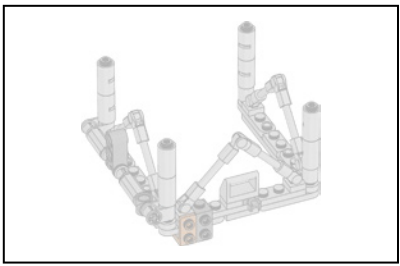
295





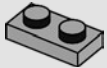
296





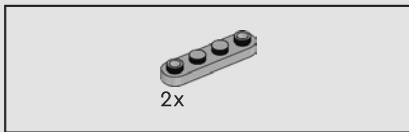
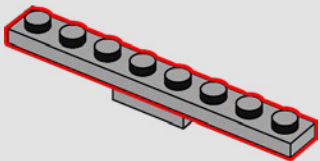
297

1x



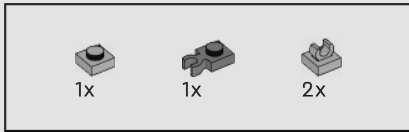
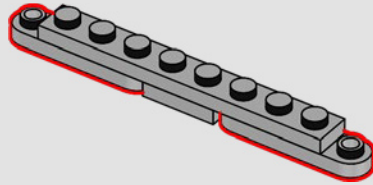
298

1x



2x

299

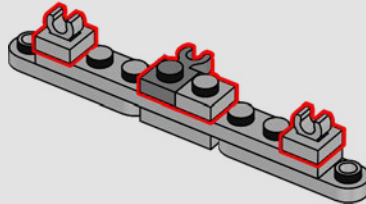


1x

1x

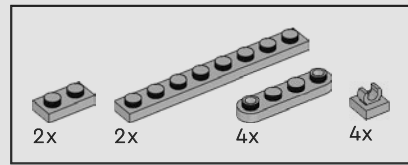
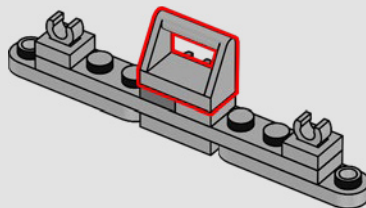
2x

300



1x

301



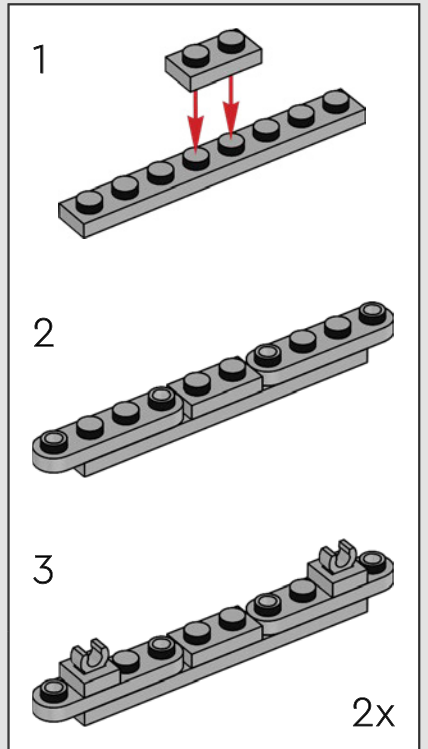
2x

2x

4x

4x

302

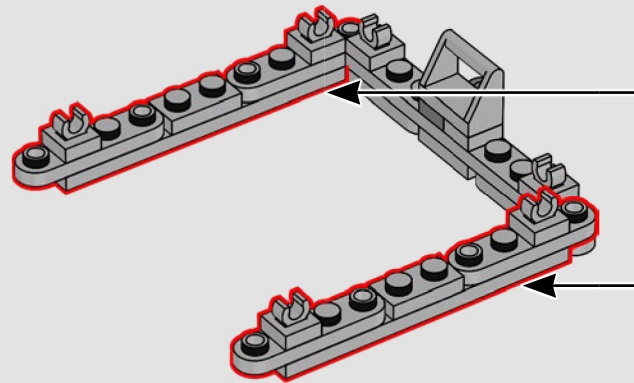


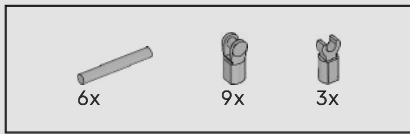
1

2

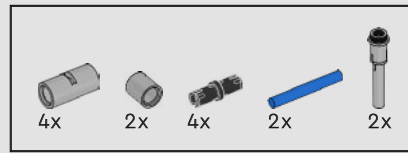
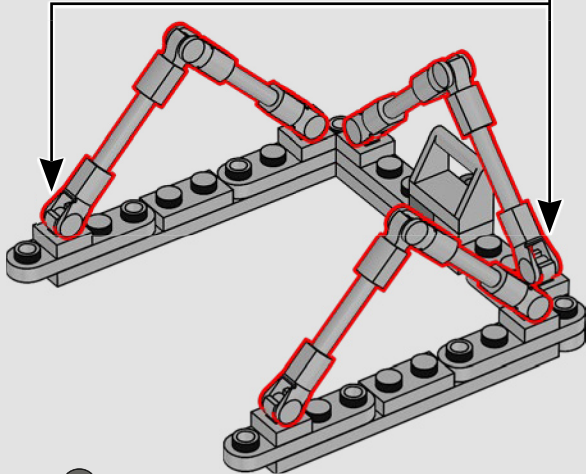
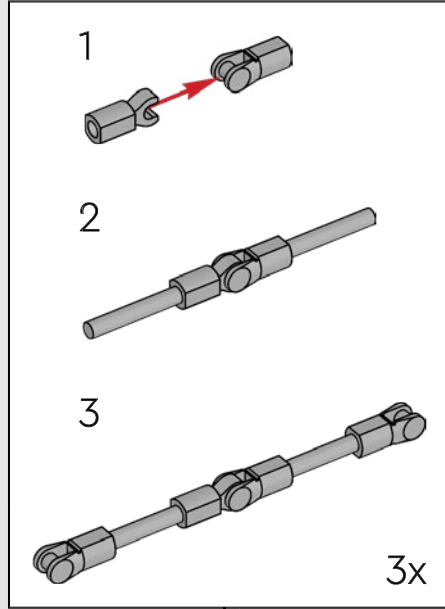
3

2x

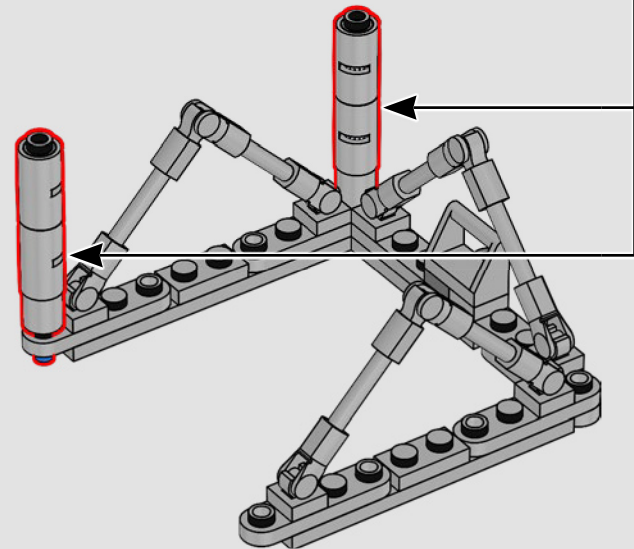
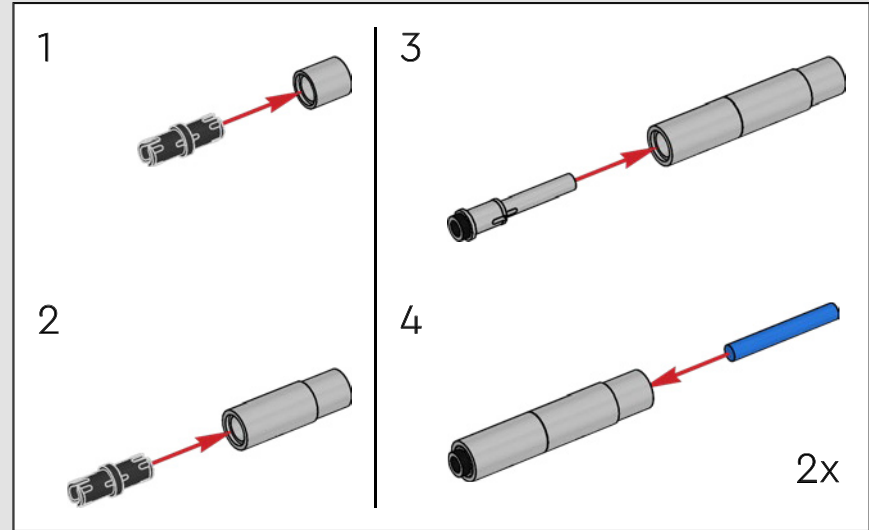


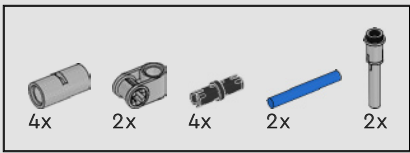


303

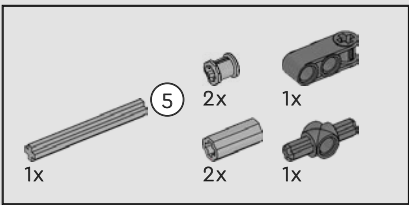
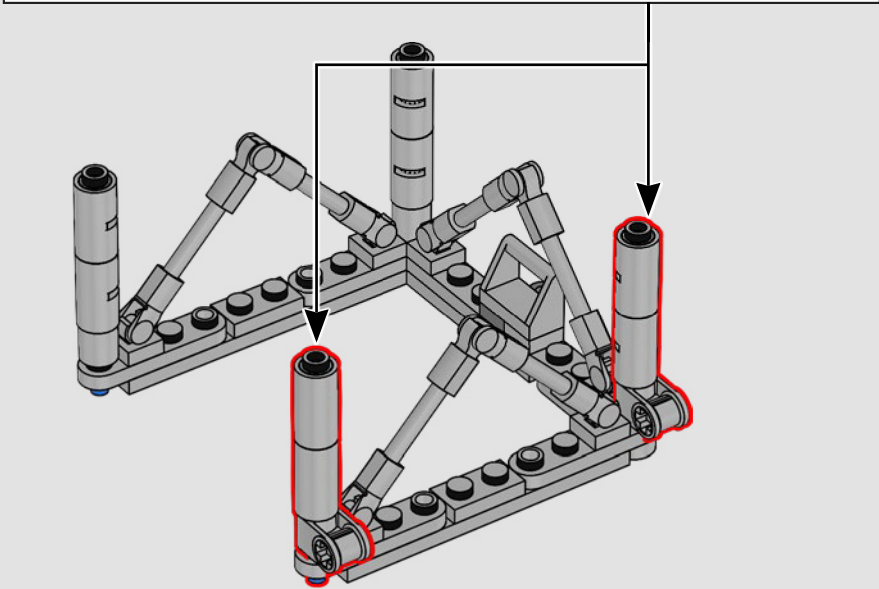
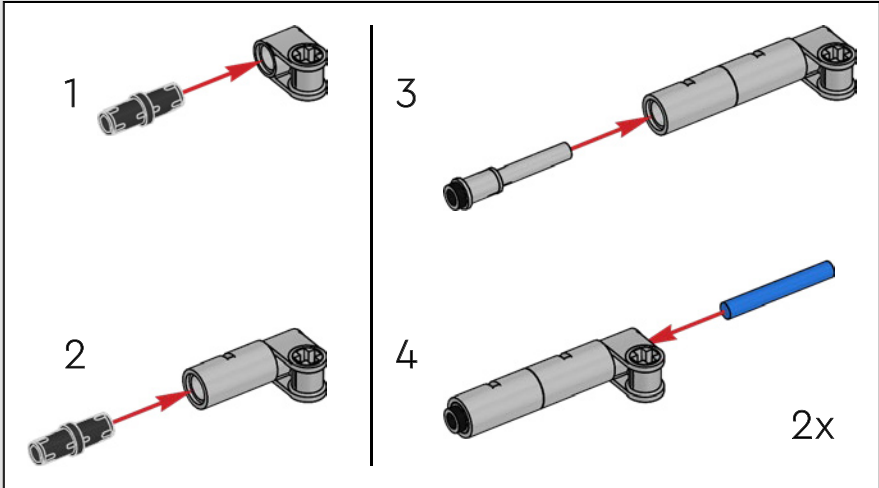


304

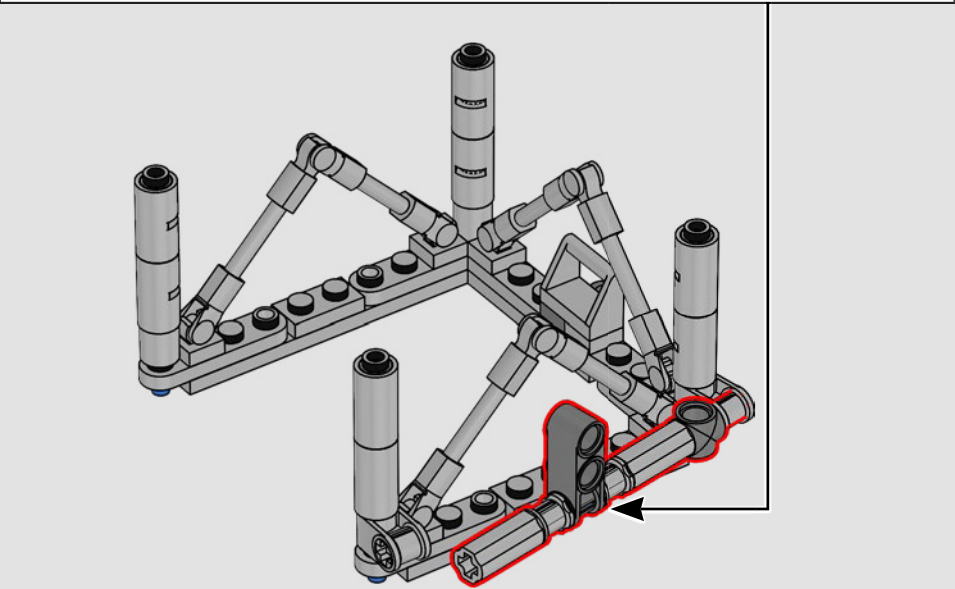
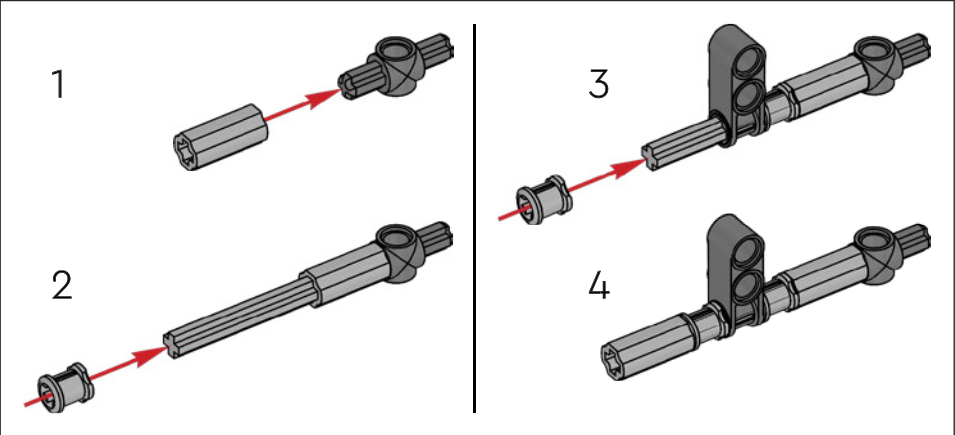
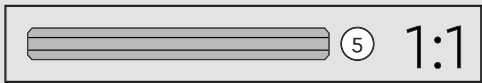


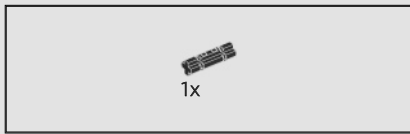


305

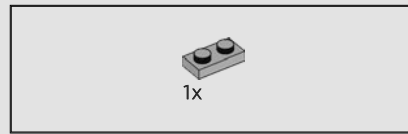
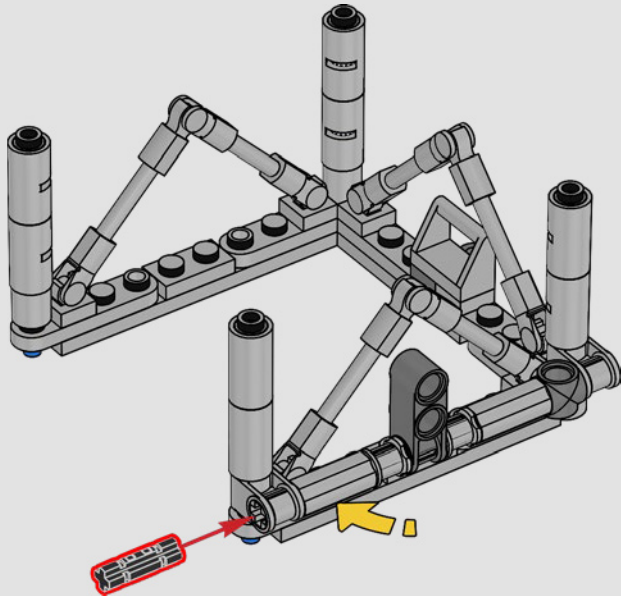


306

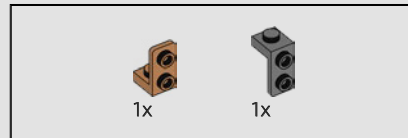
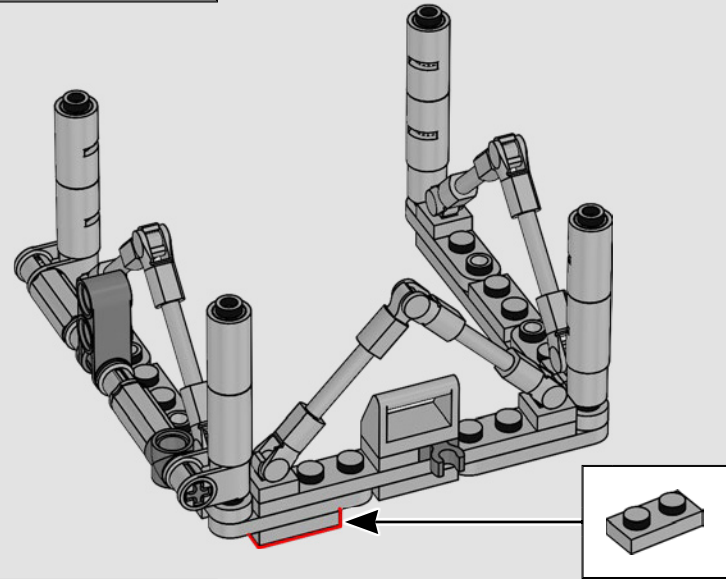
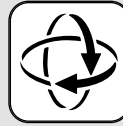




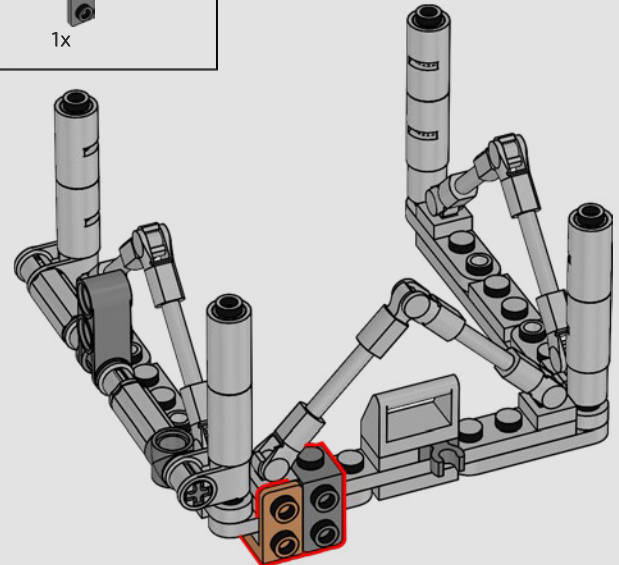
307



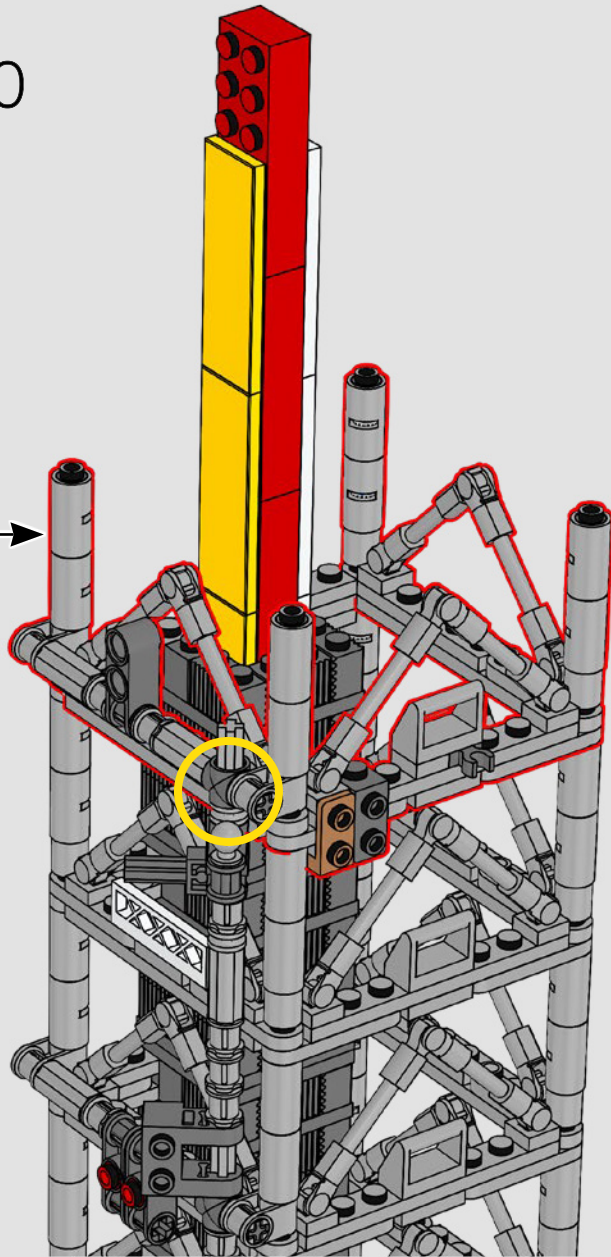
308



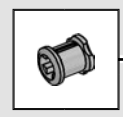
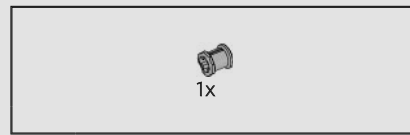
309

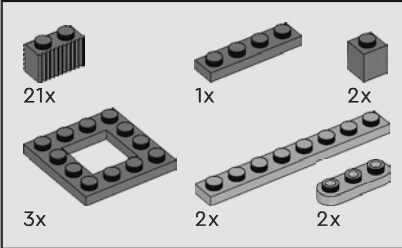
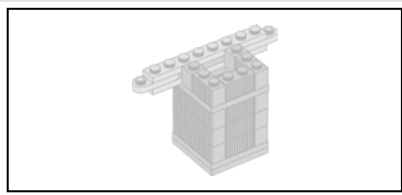


310

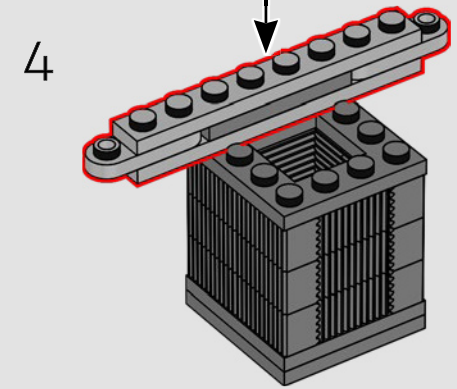
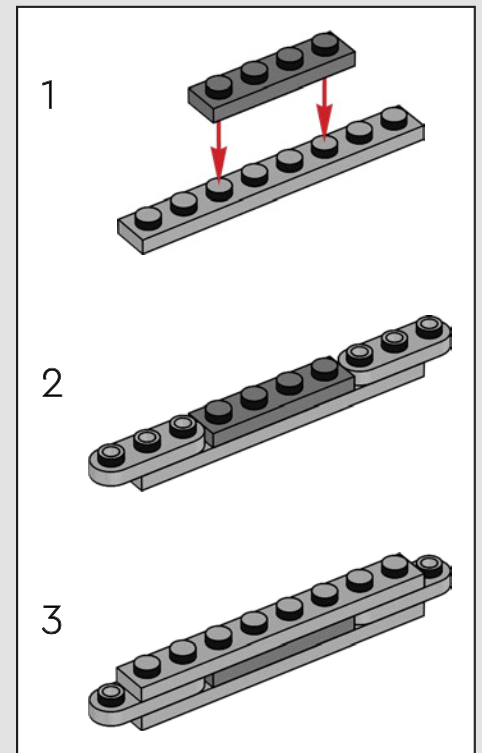
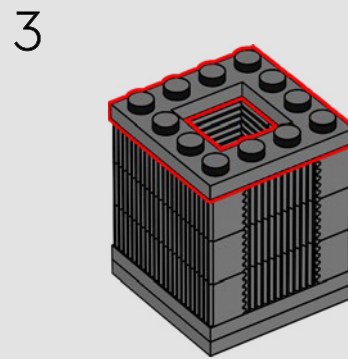
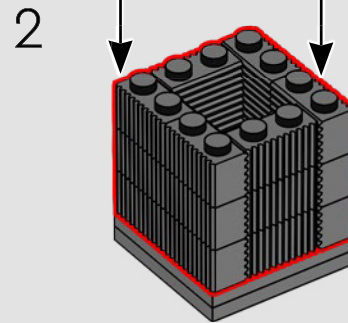
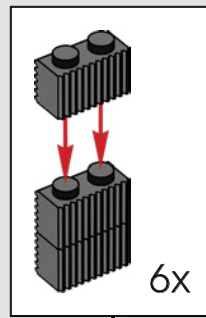
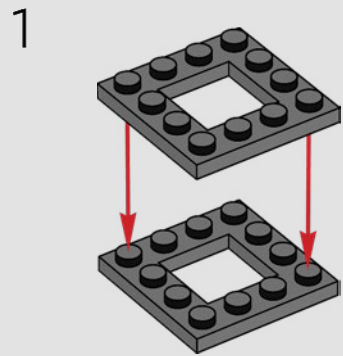


311

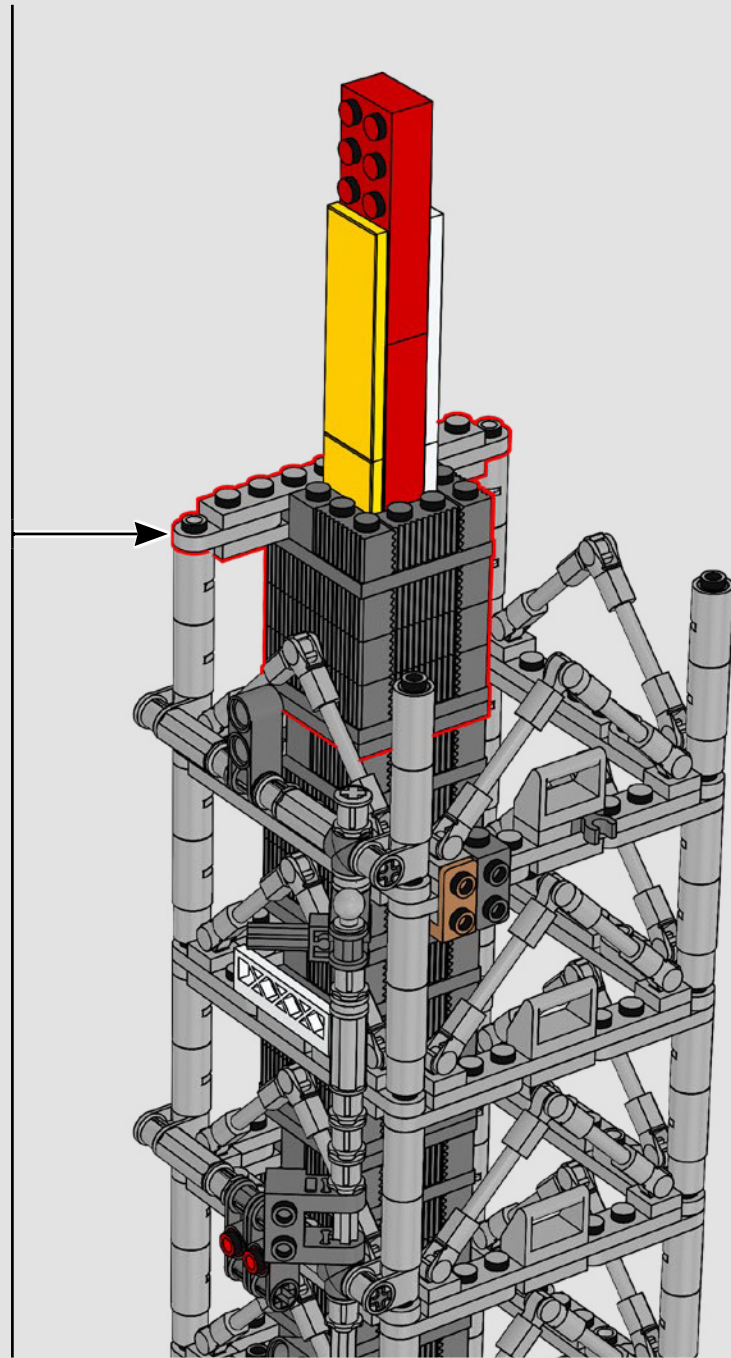
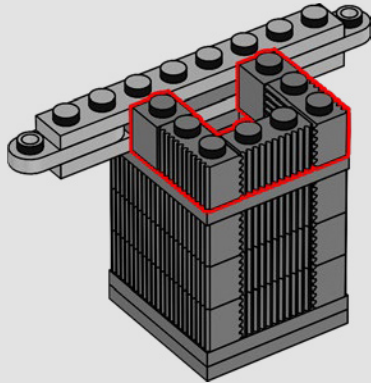


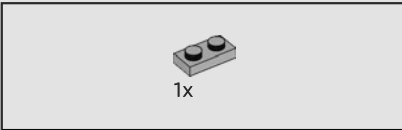
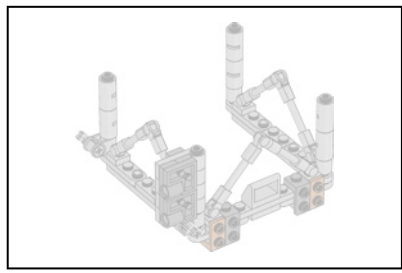


312



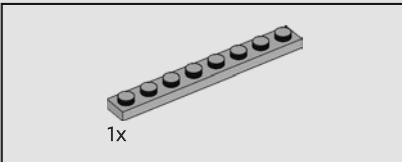
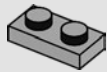
5





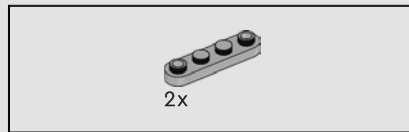
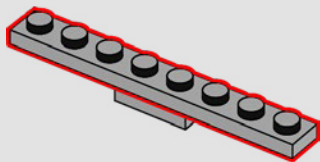
313

1x



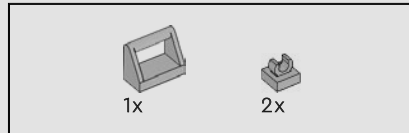
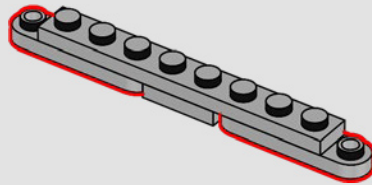
314

1x



315

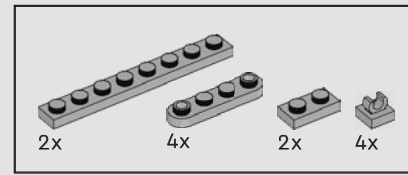
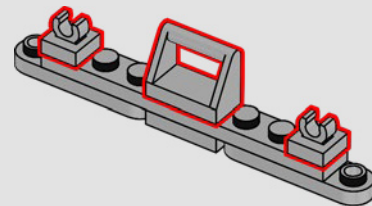
2x



316

1x

2x



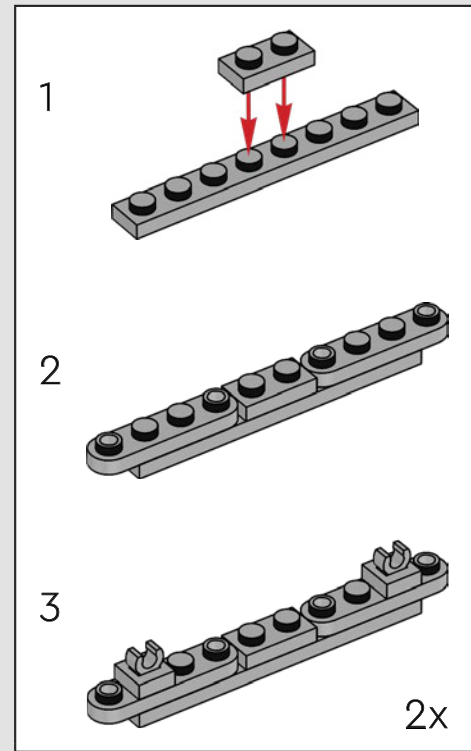
317

2x

4x

2x

4x

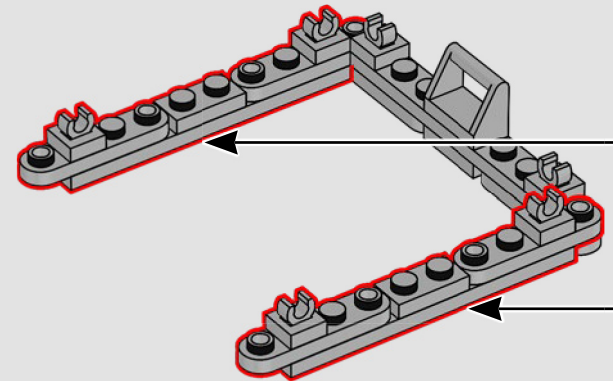


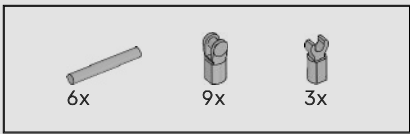
1

2

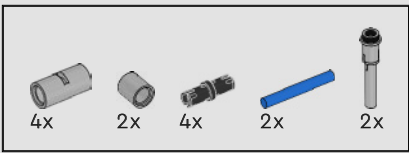
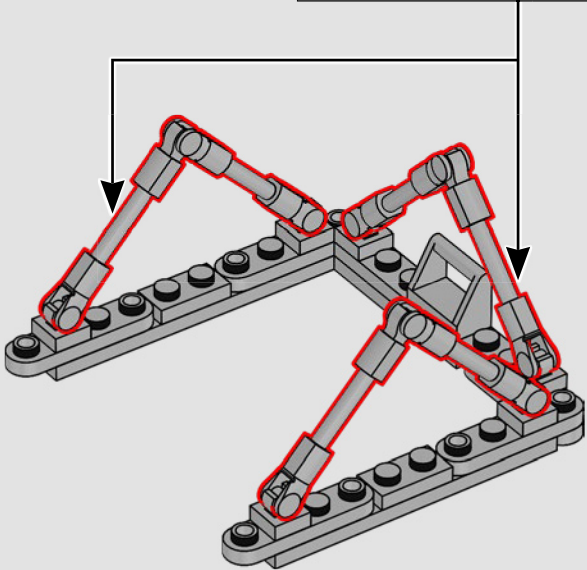
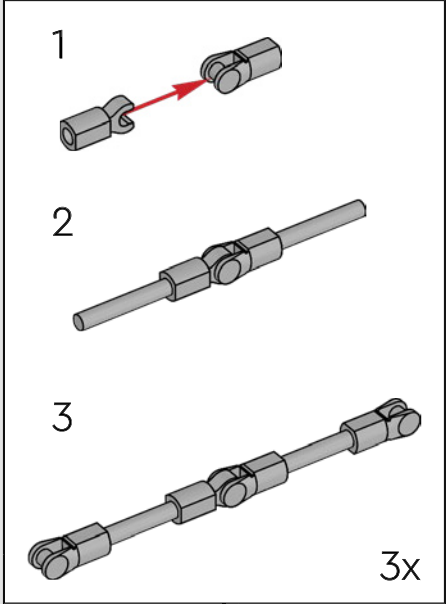
3

2x

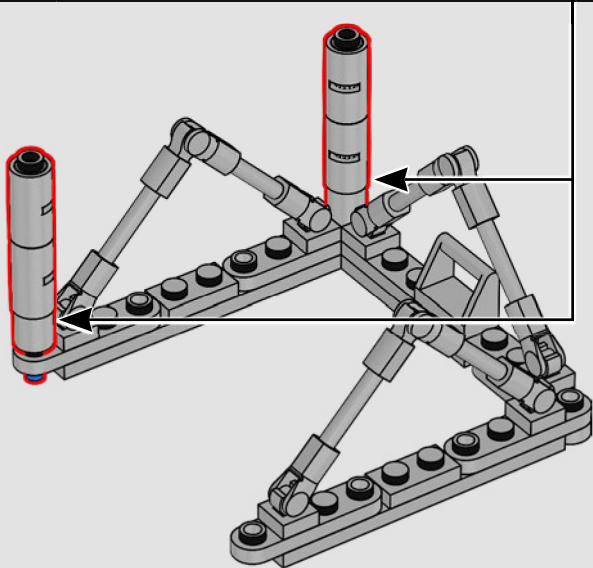
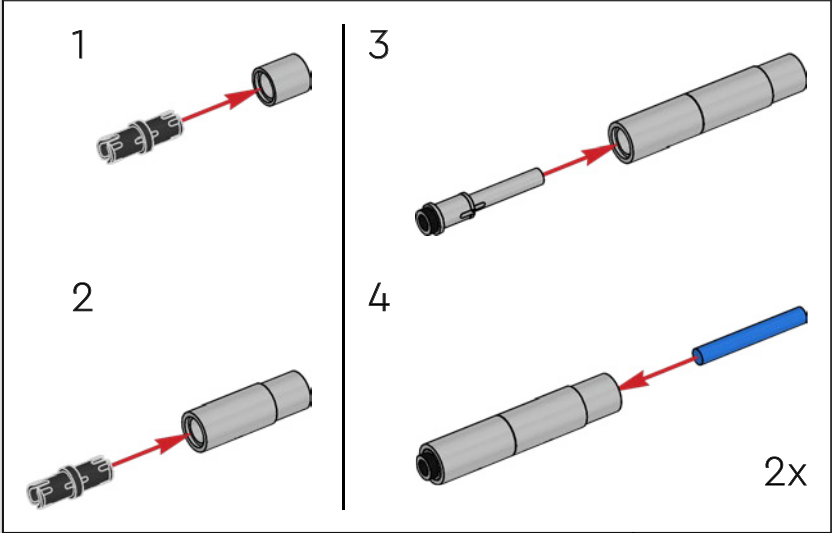


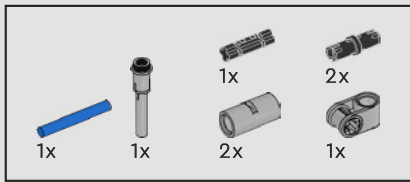


318

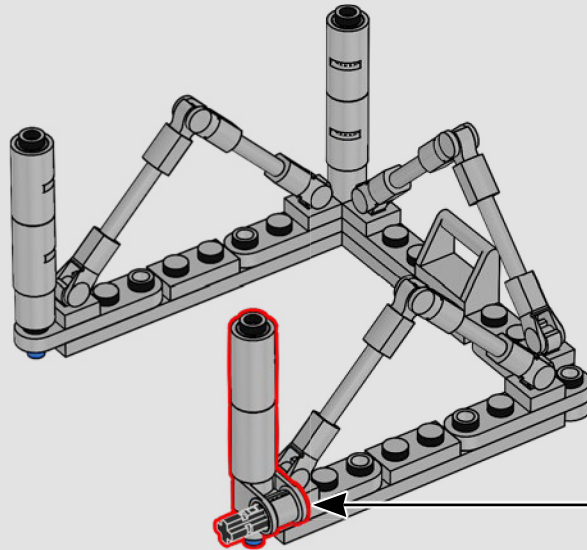
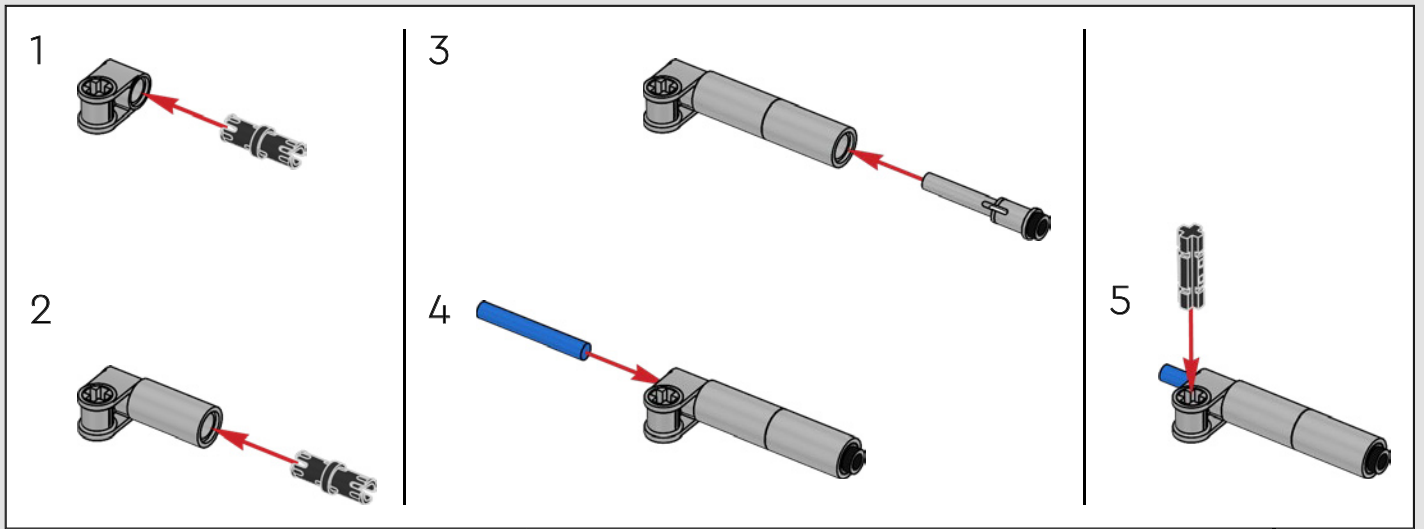


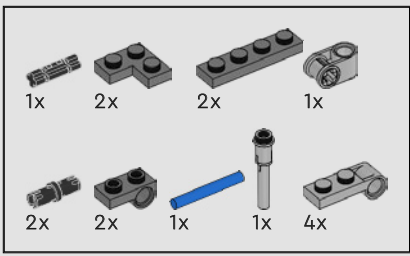
319



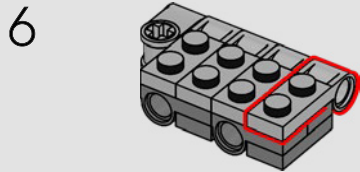
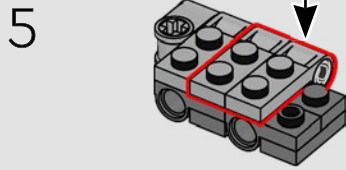
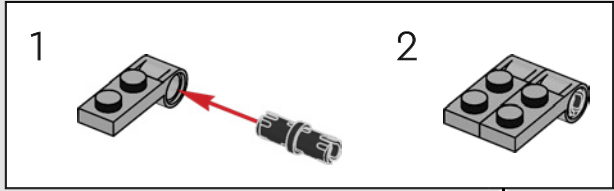
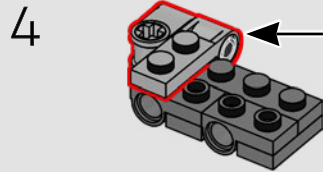
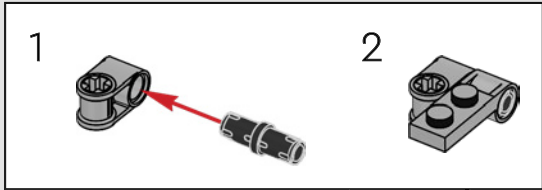
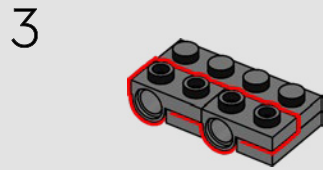
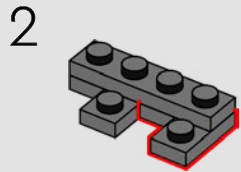
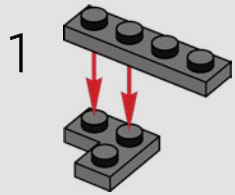


320

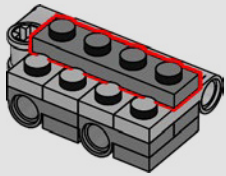




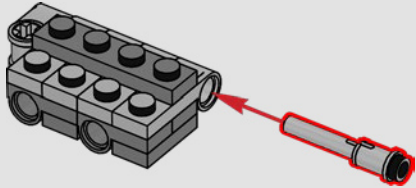
321



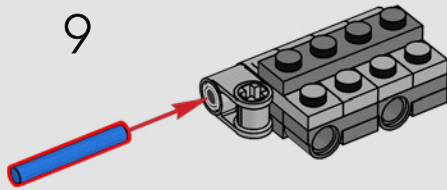
7



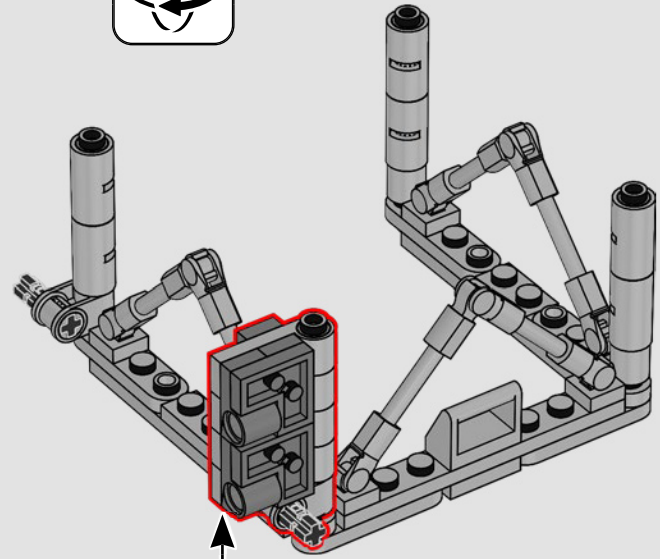
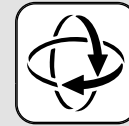
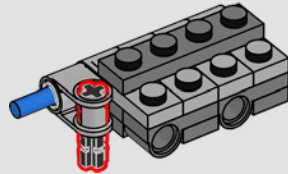
8



9



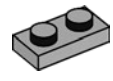
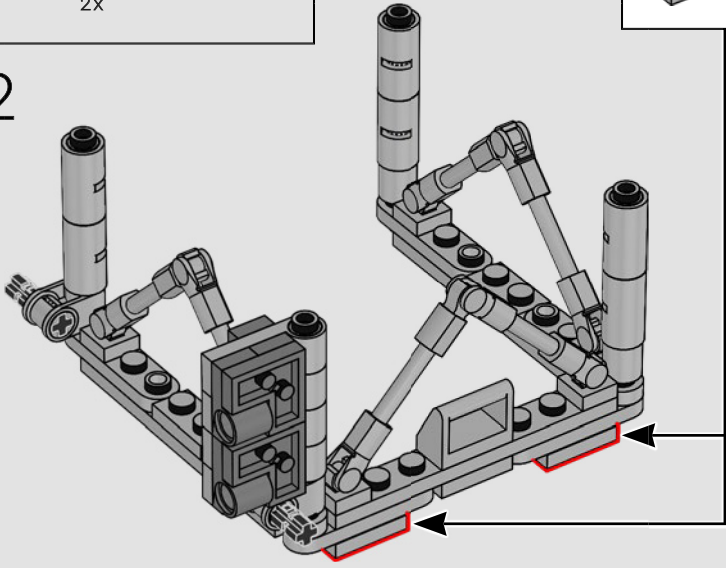
10





2x

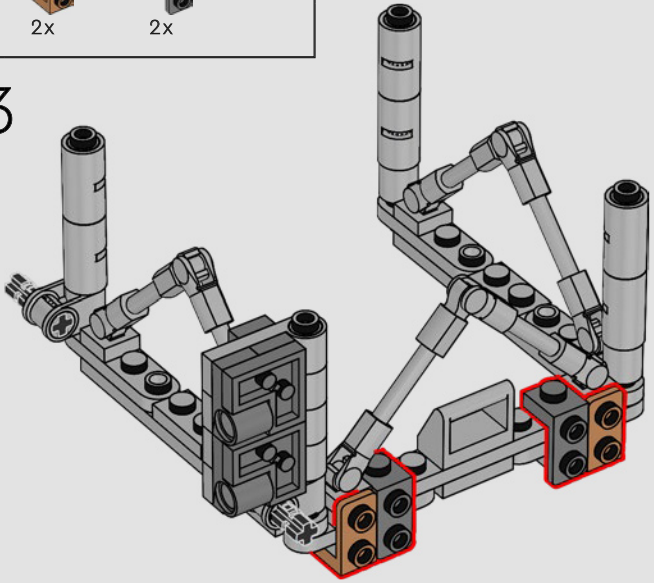
322



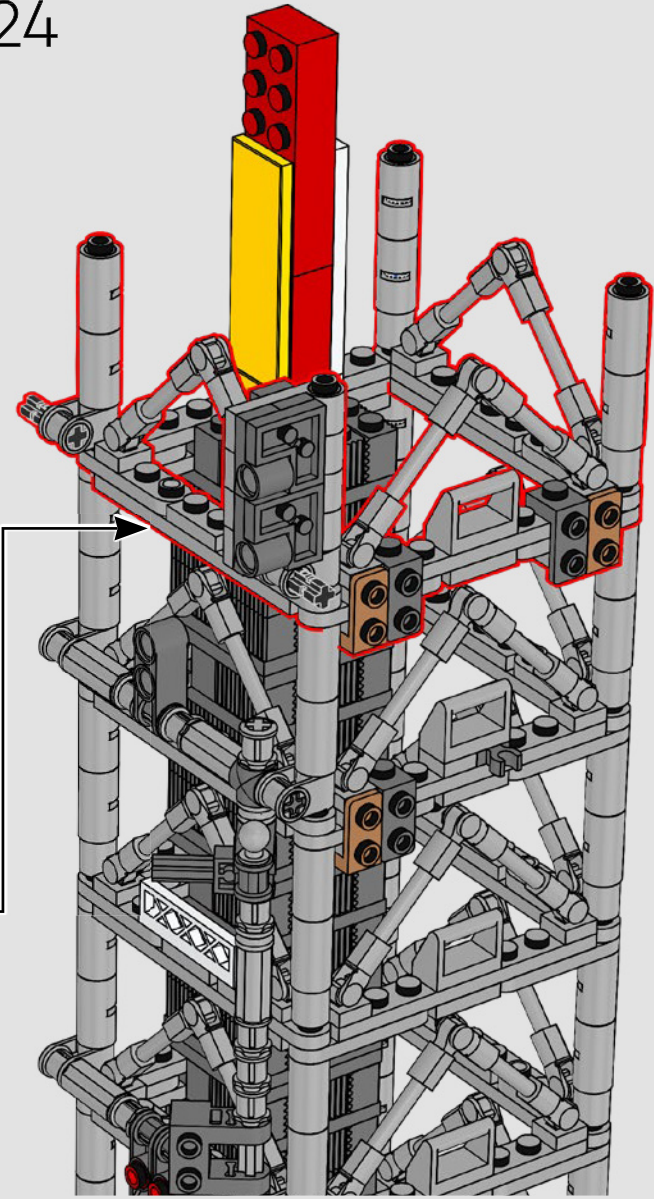
2x

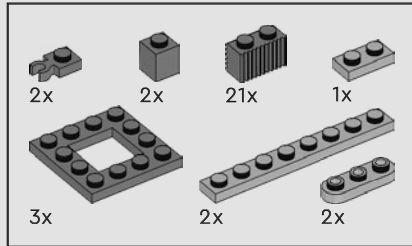
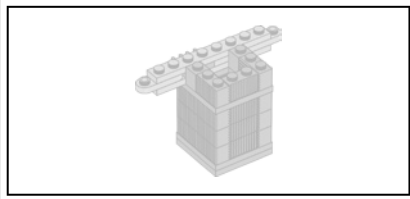


323



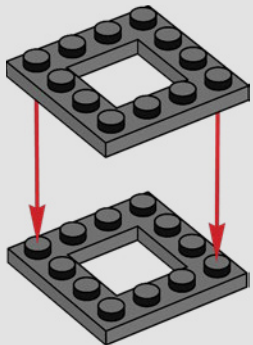
324



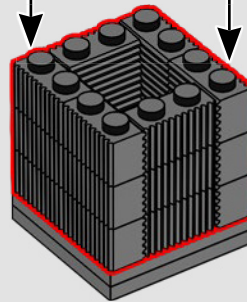


325

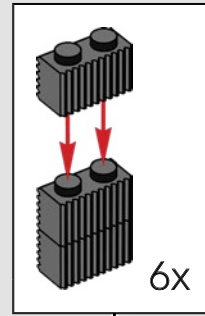
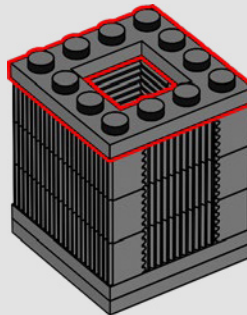
1



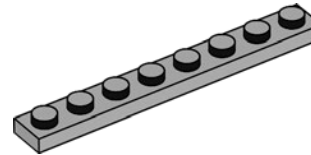
2



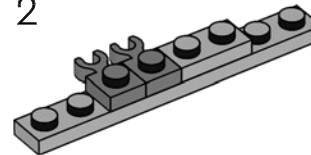
3



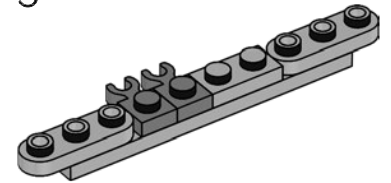
1



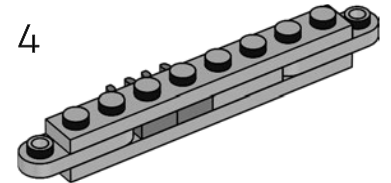
2



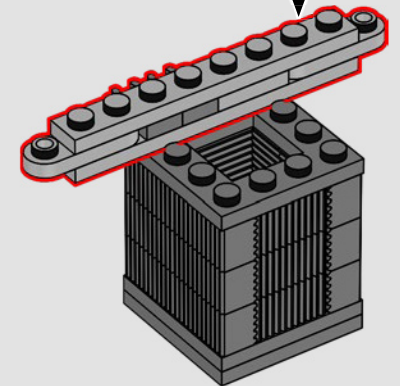
3



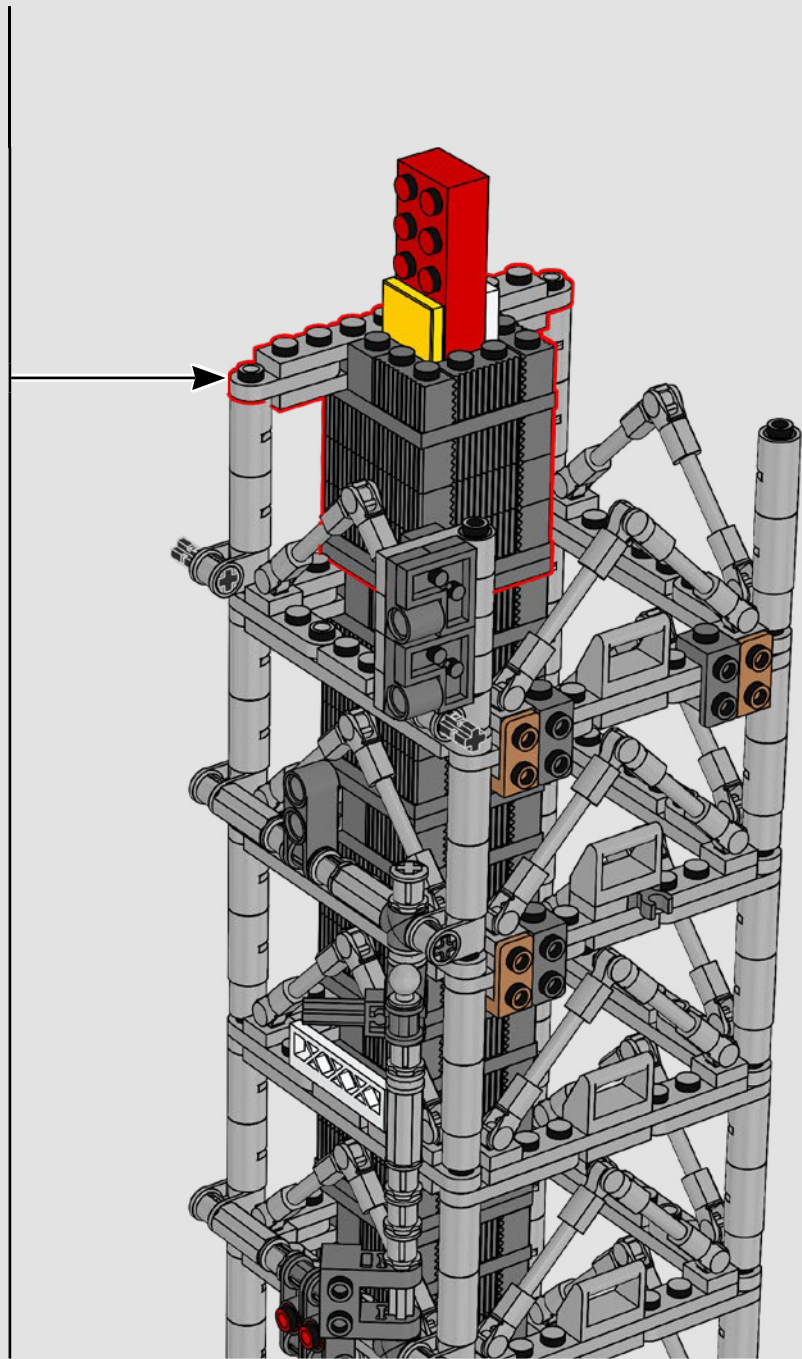
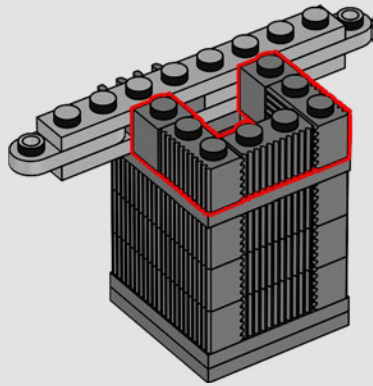
4

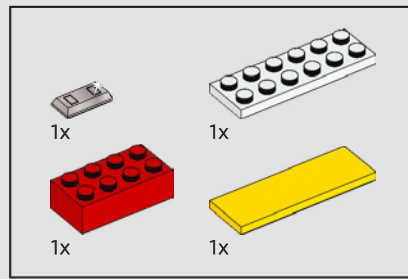


4

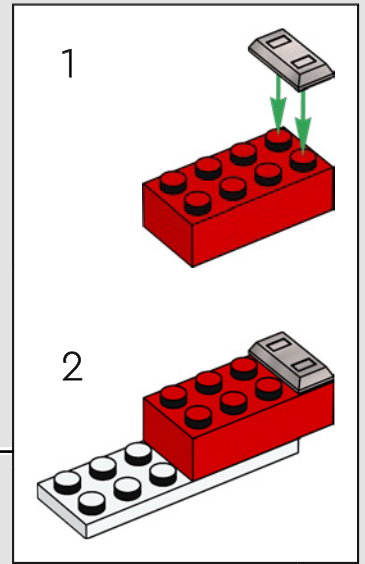
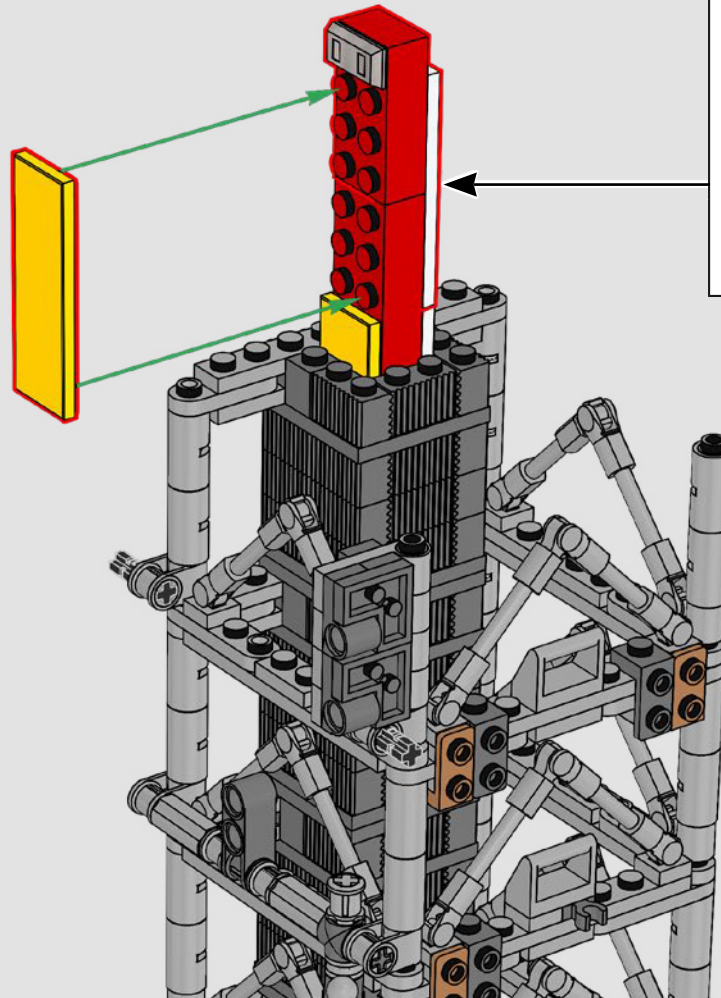


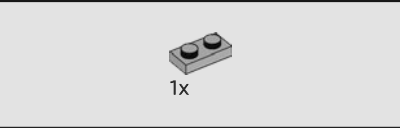
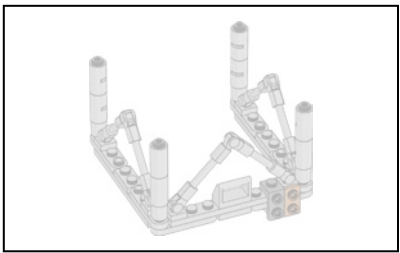
5



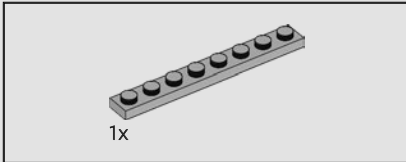


326

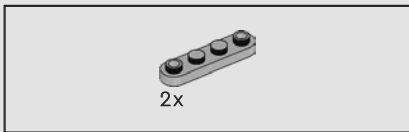
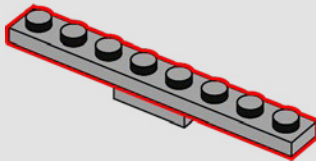




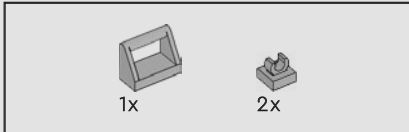
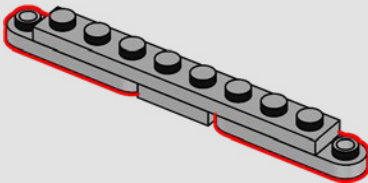
327



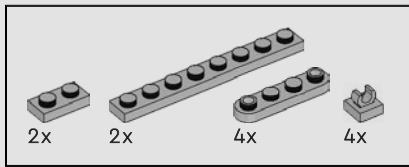
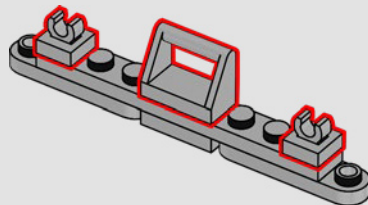
328



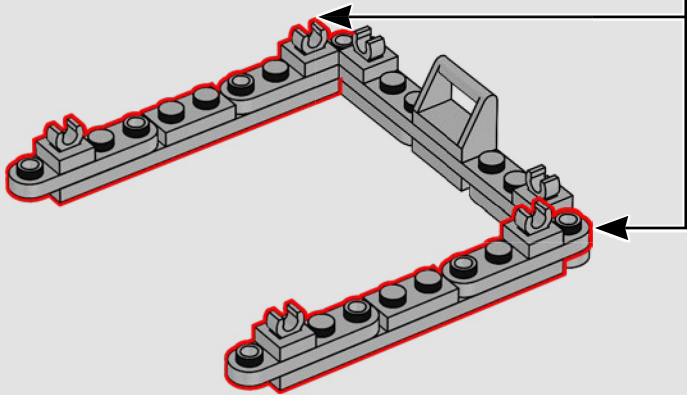
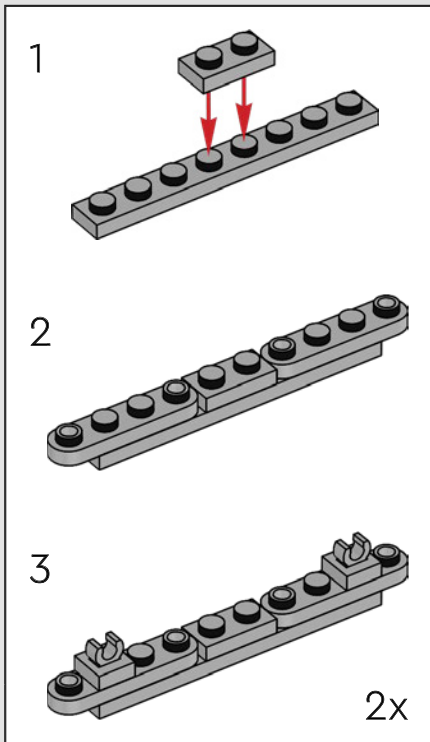
329

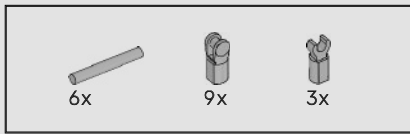


330

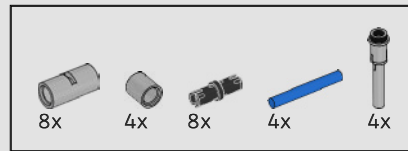
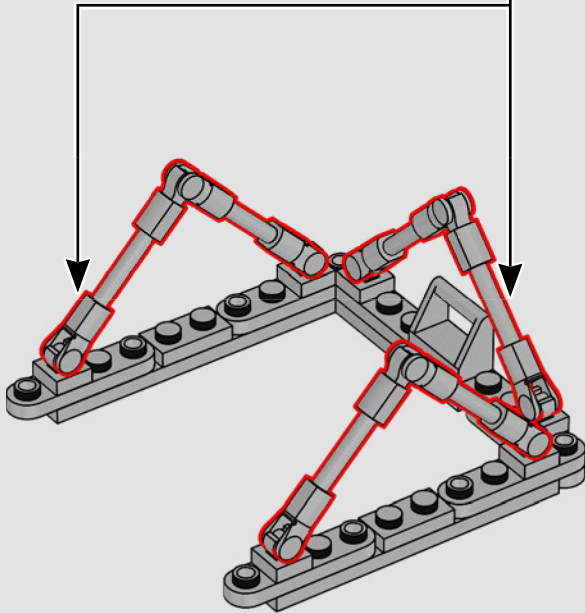
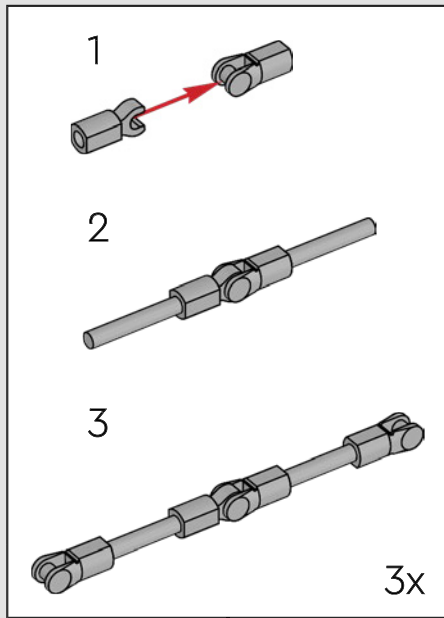


331

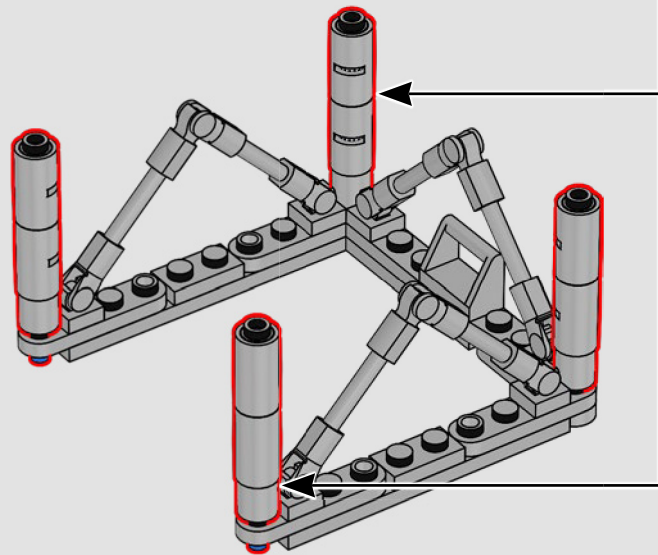
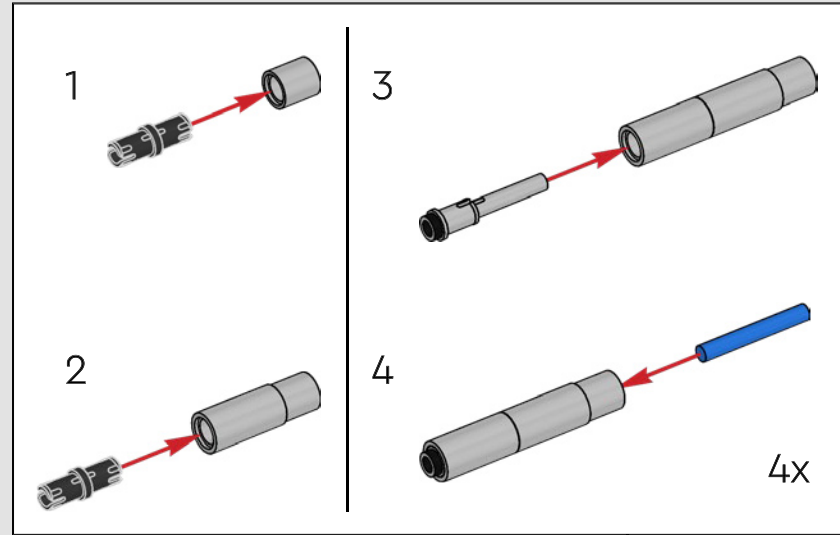




332



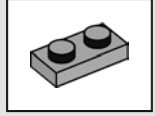
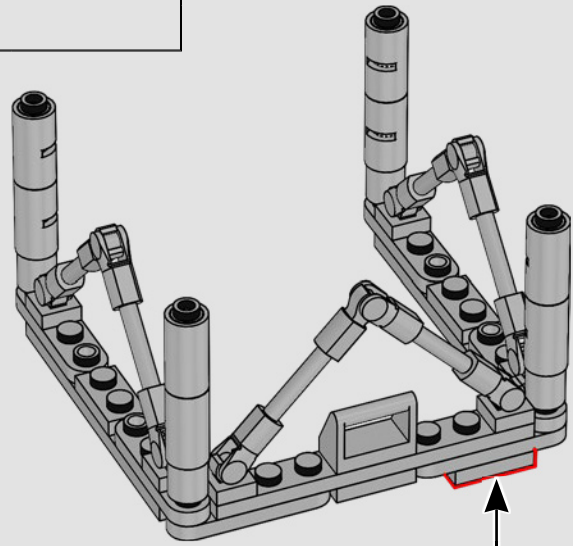
333





1x

334

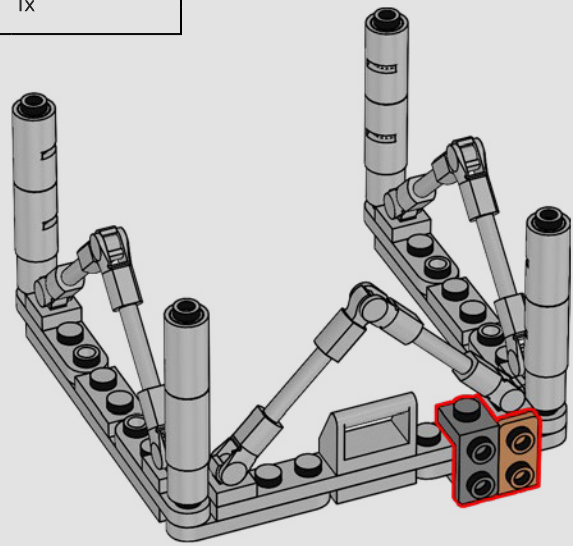


1x

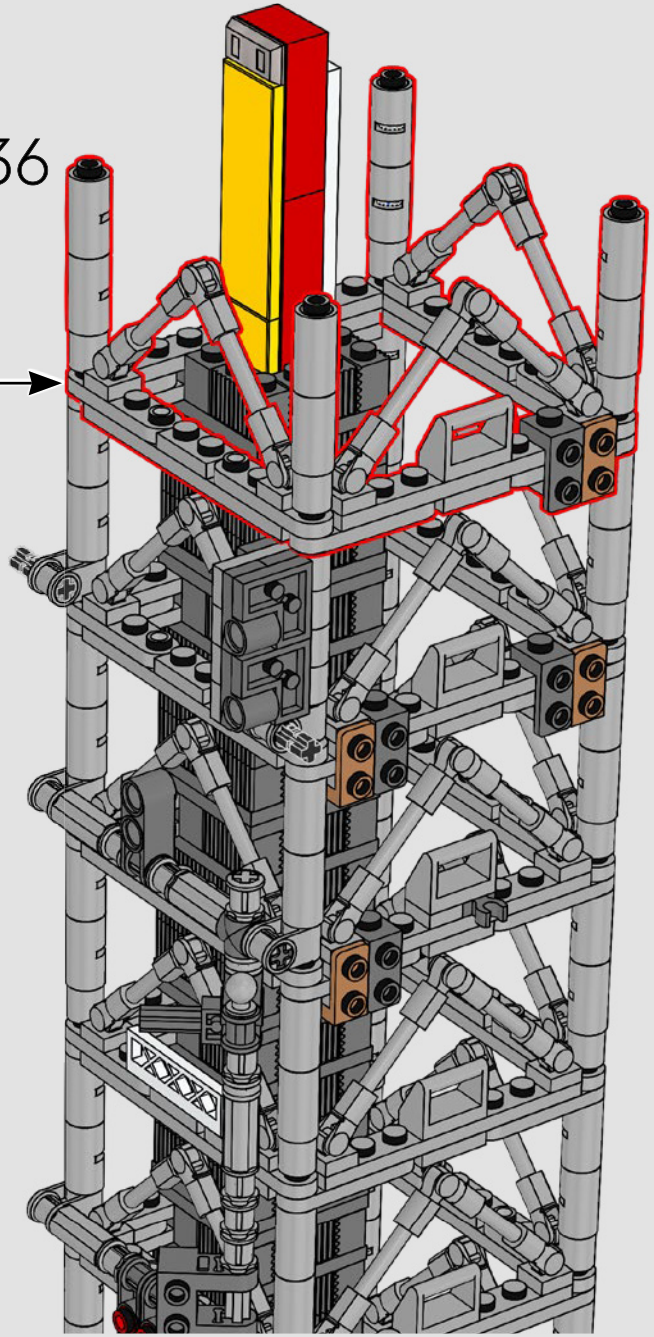


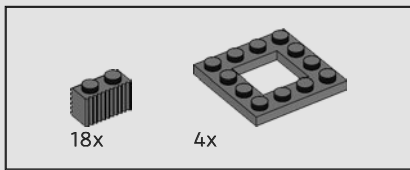
1x

335



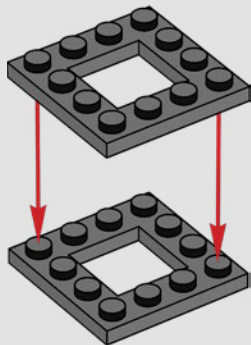
336



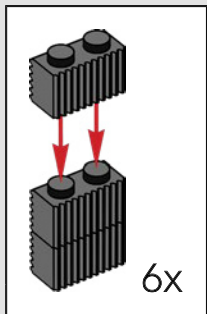


337

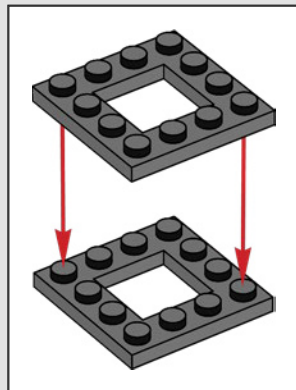
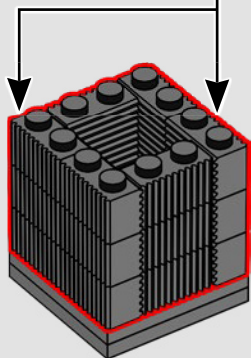
1



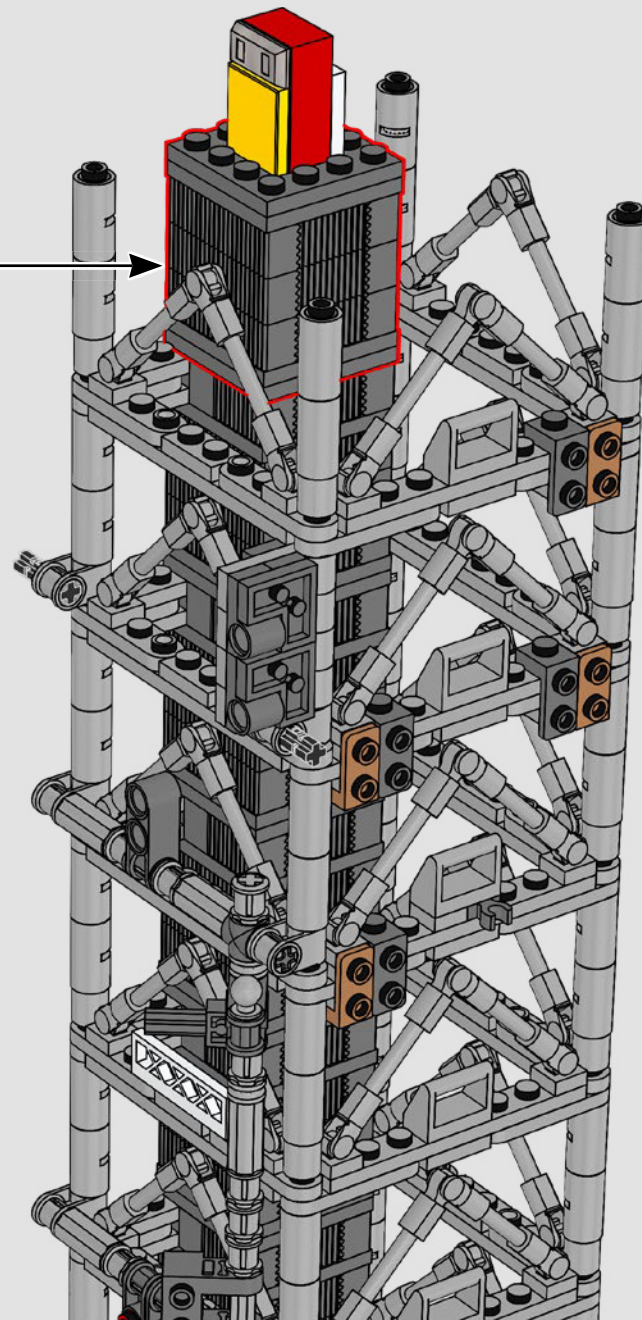
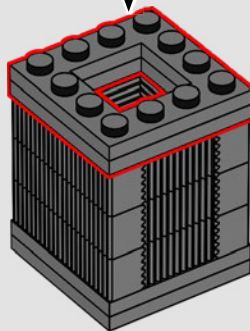
2

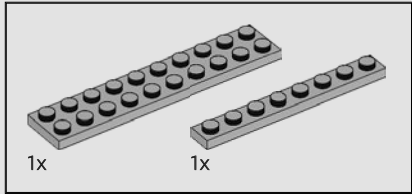
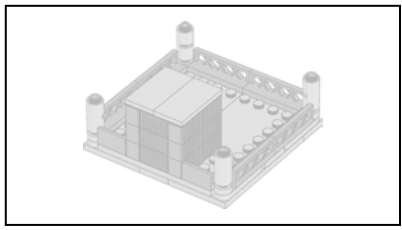


6x

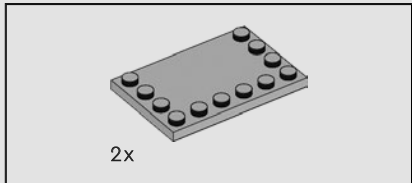
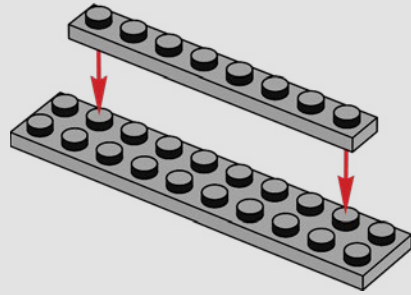


3

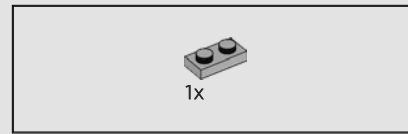
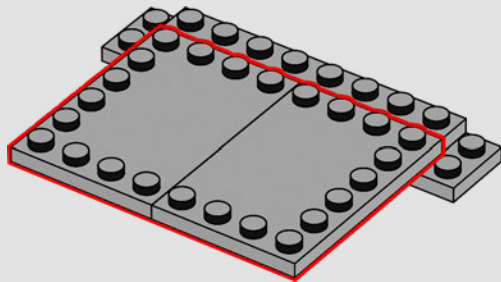




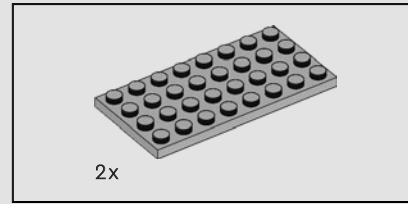
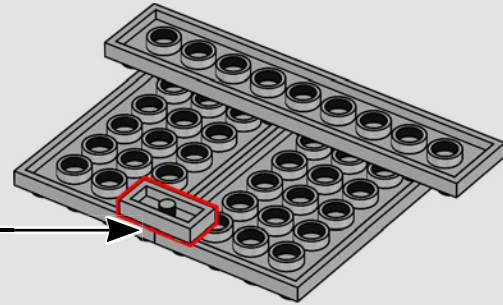
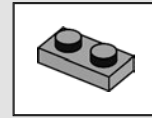
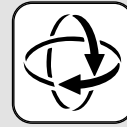
338



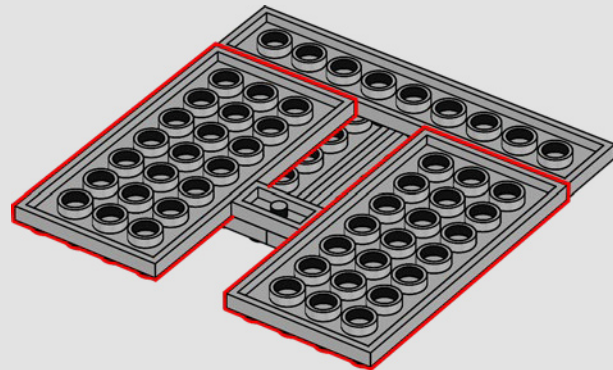
339

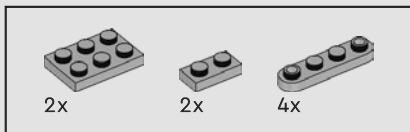


340

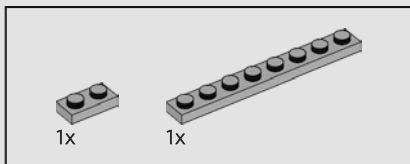
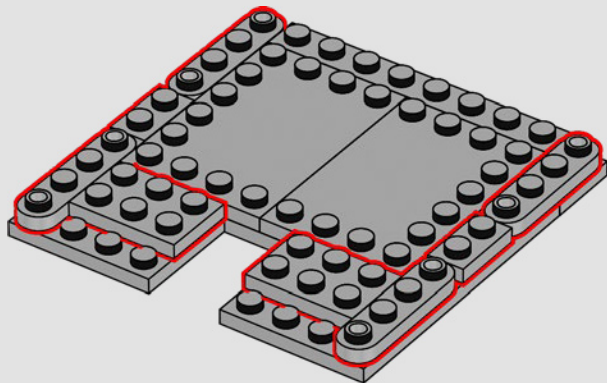


341

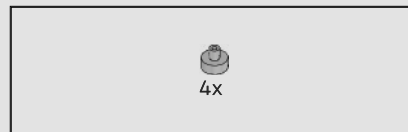
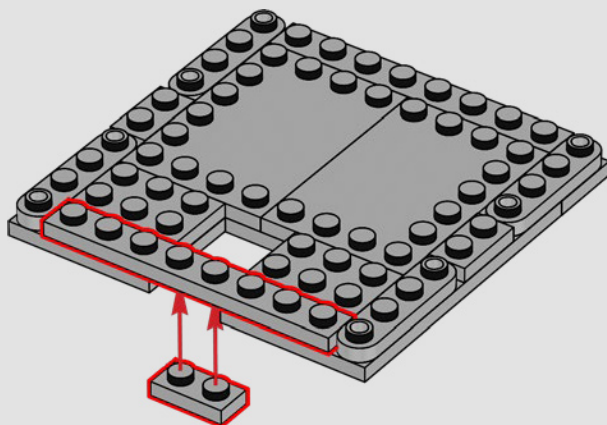




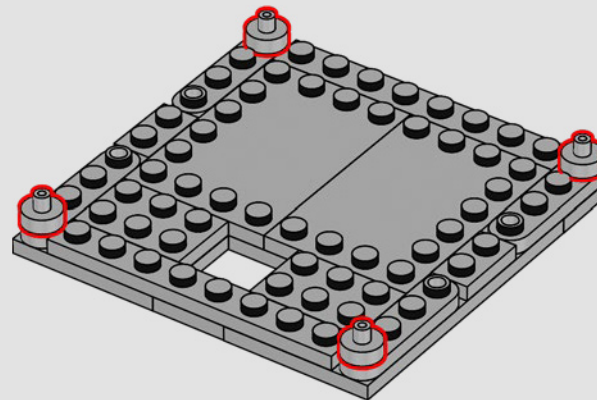
342



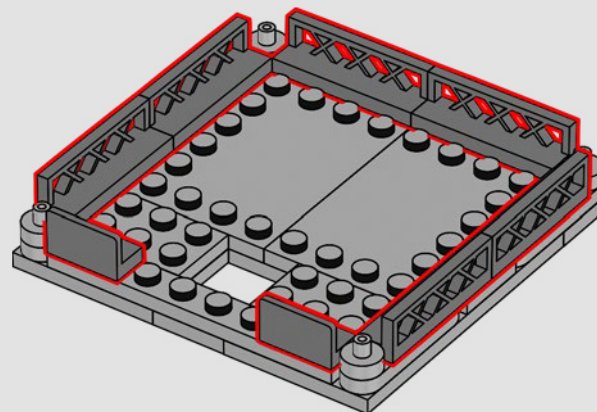
343



344



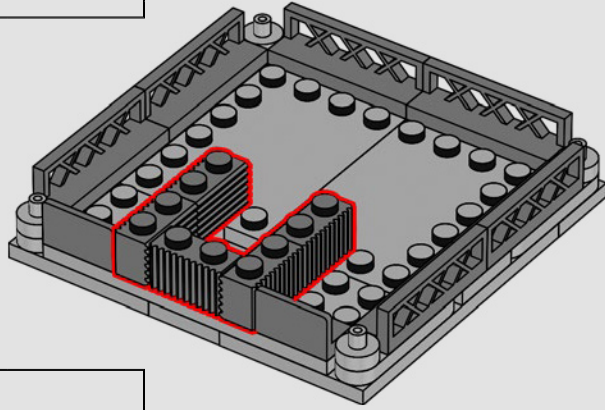
345





5x

346



5x



1x

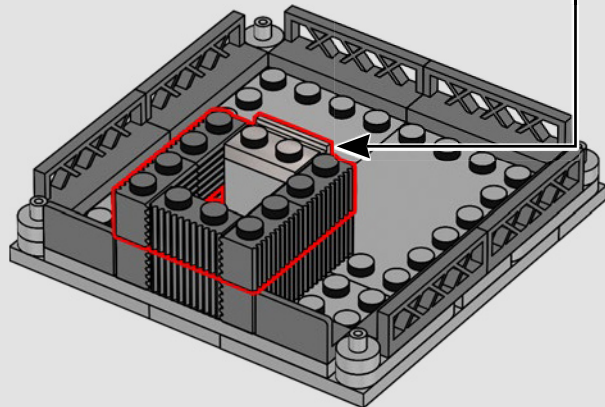
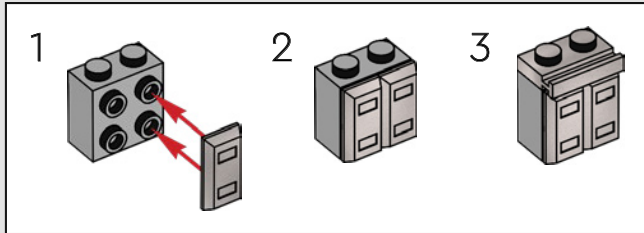


1x



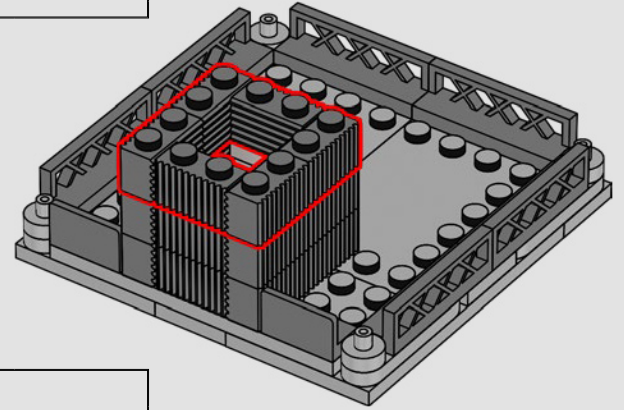
2x

347



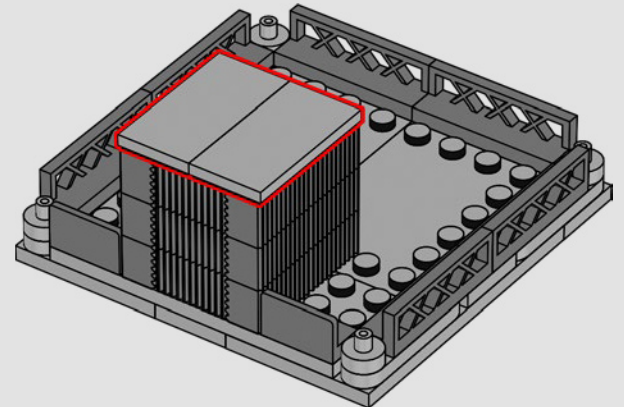
6x

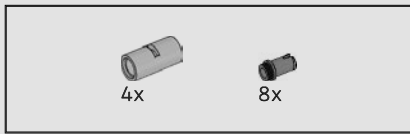
348



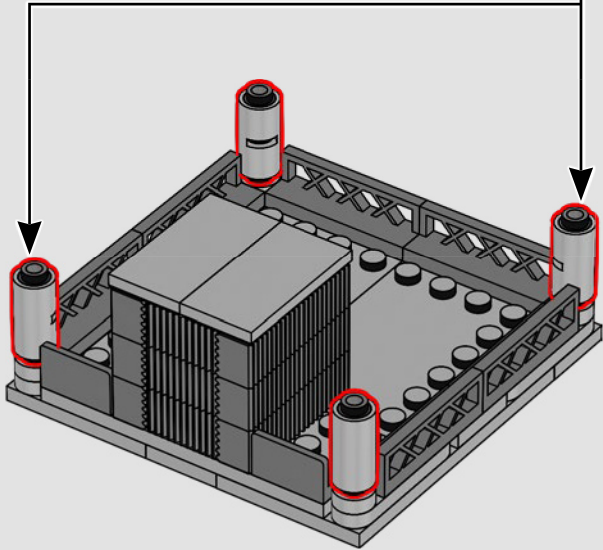
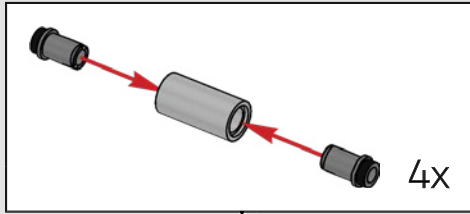
2x

349

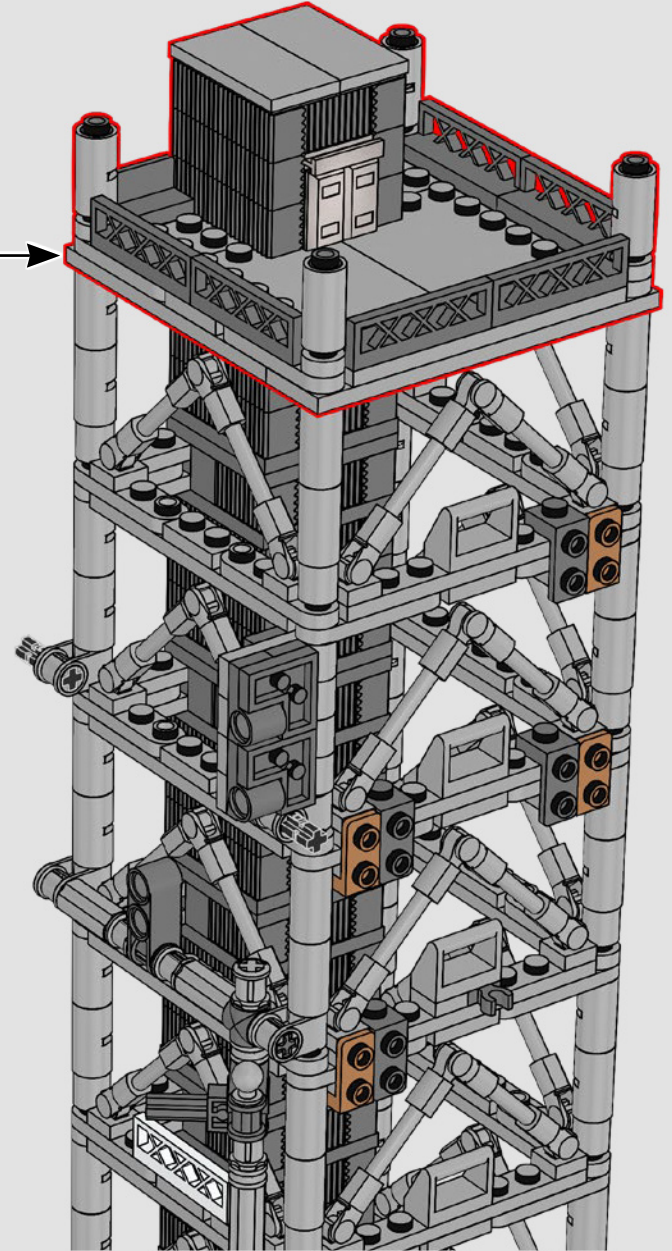


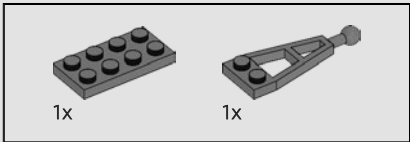
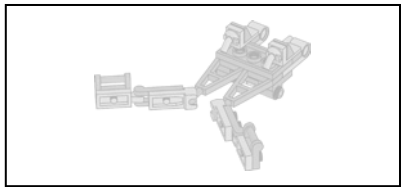


350

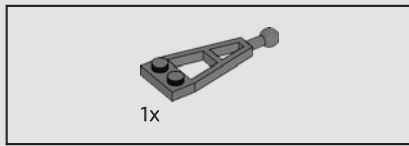
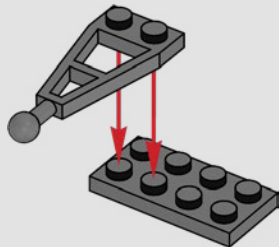


351

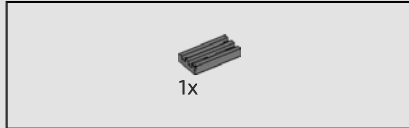
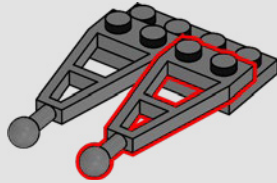




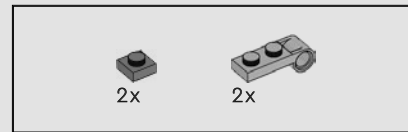
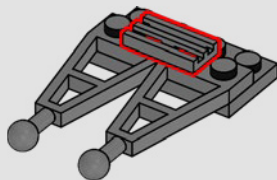
352



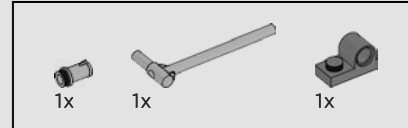
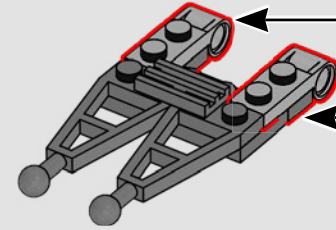
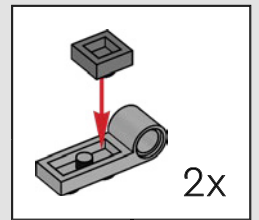
353



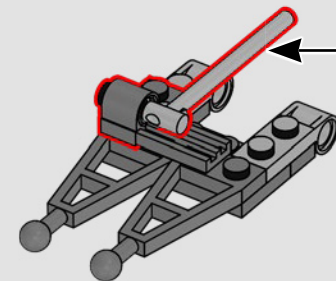
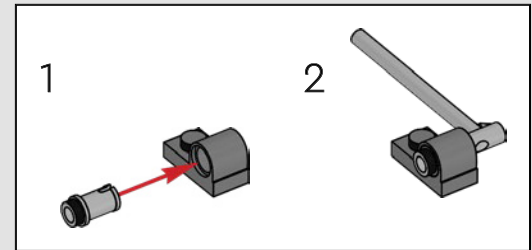
354

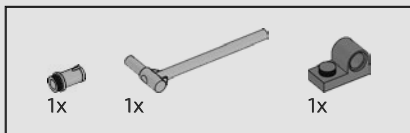


355

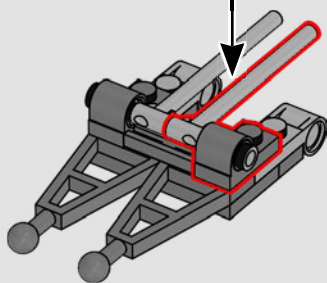
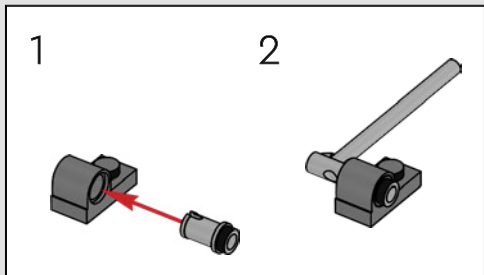


356

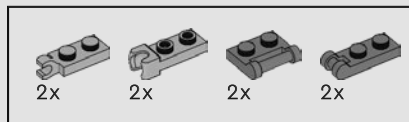
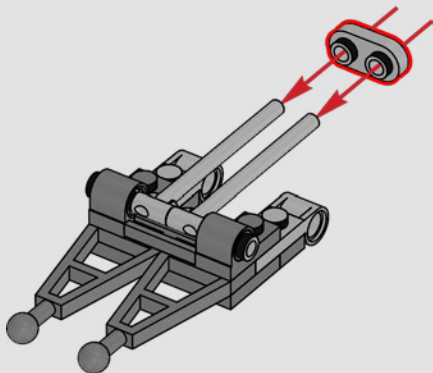




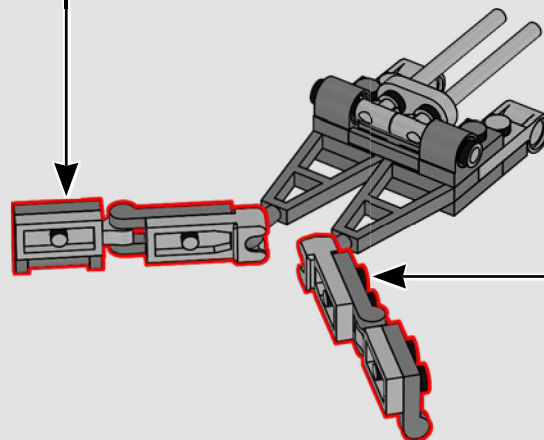
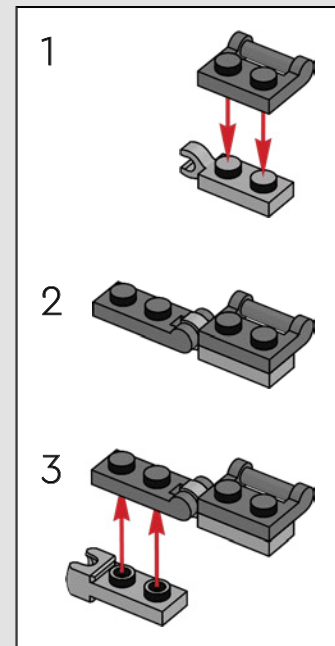
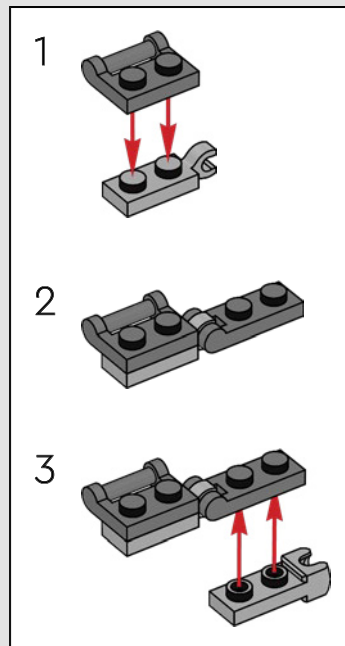
357



358

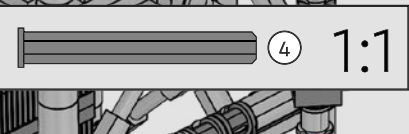
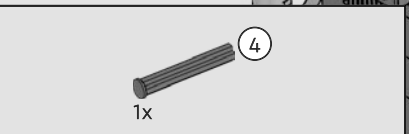
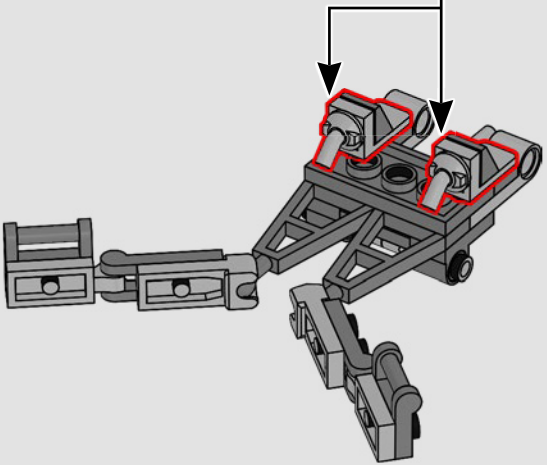
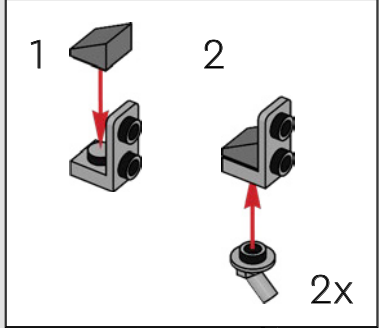


359

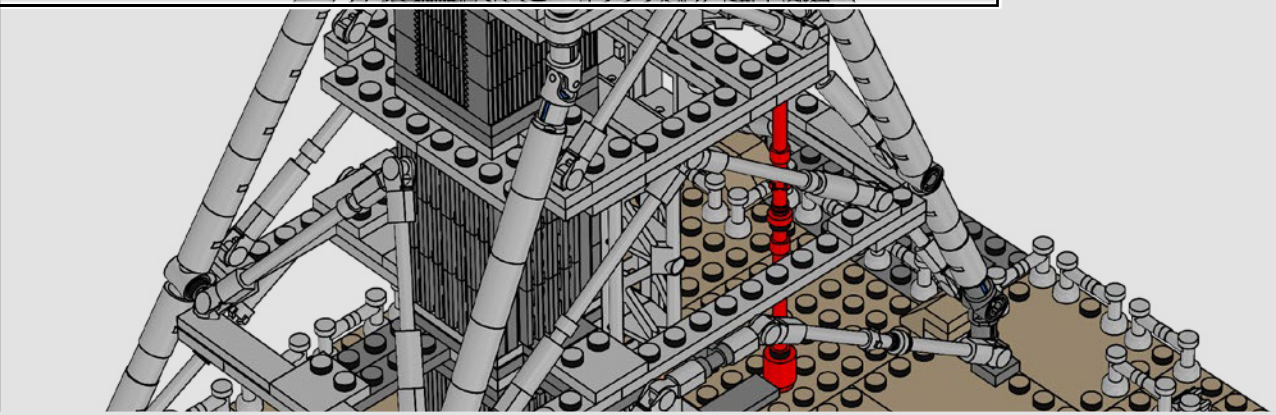
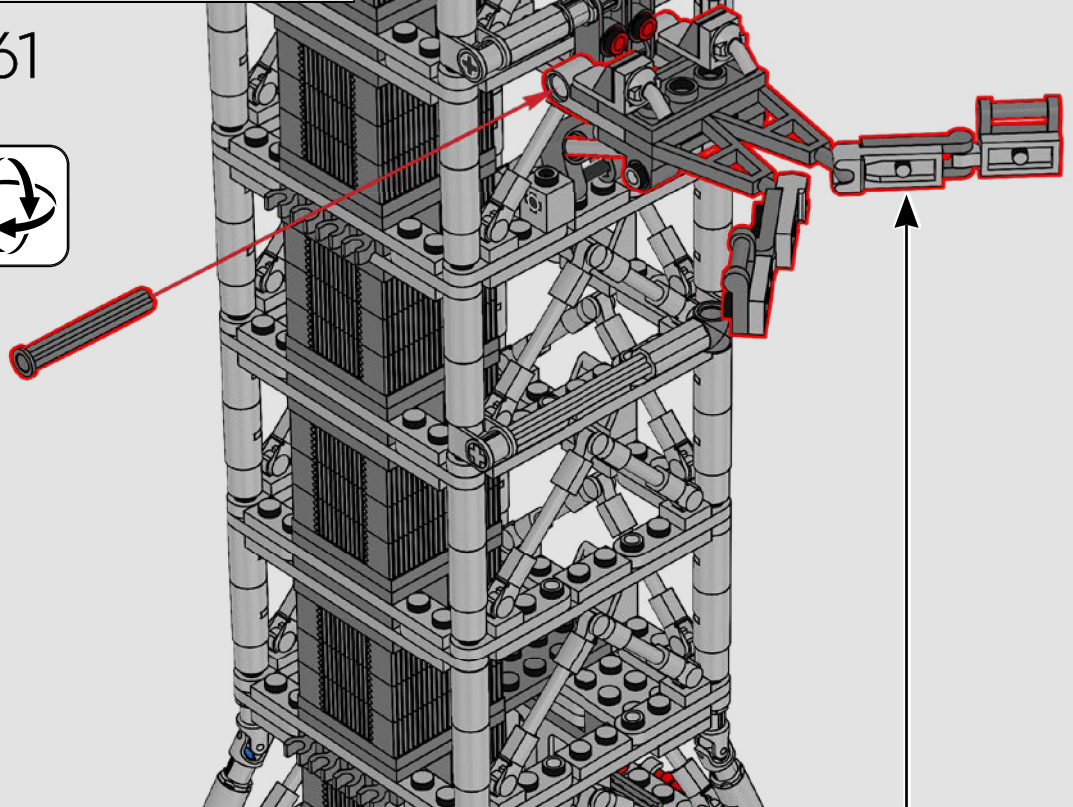


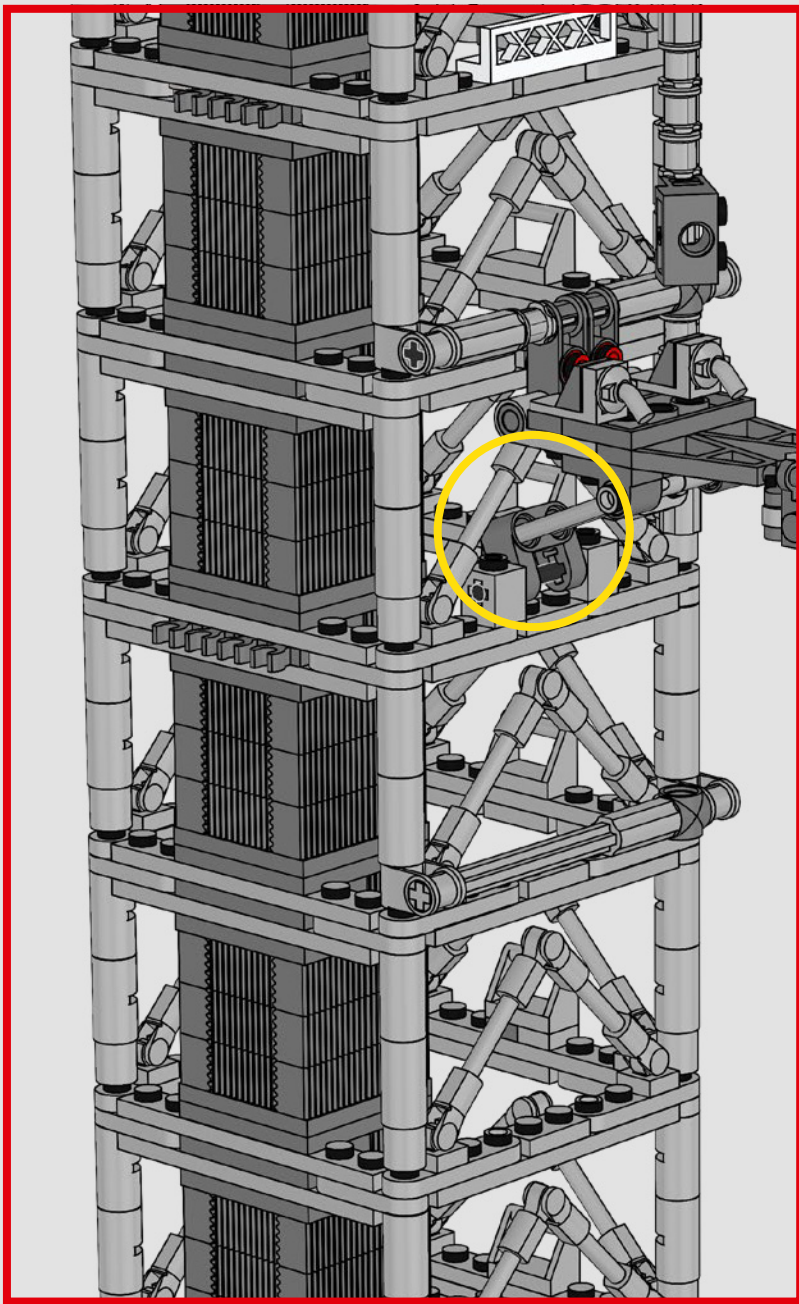


360

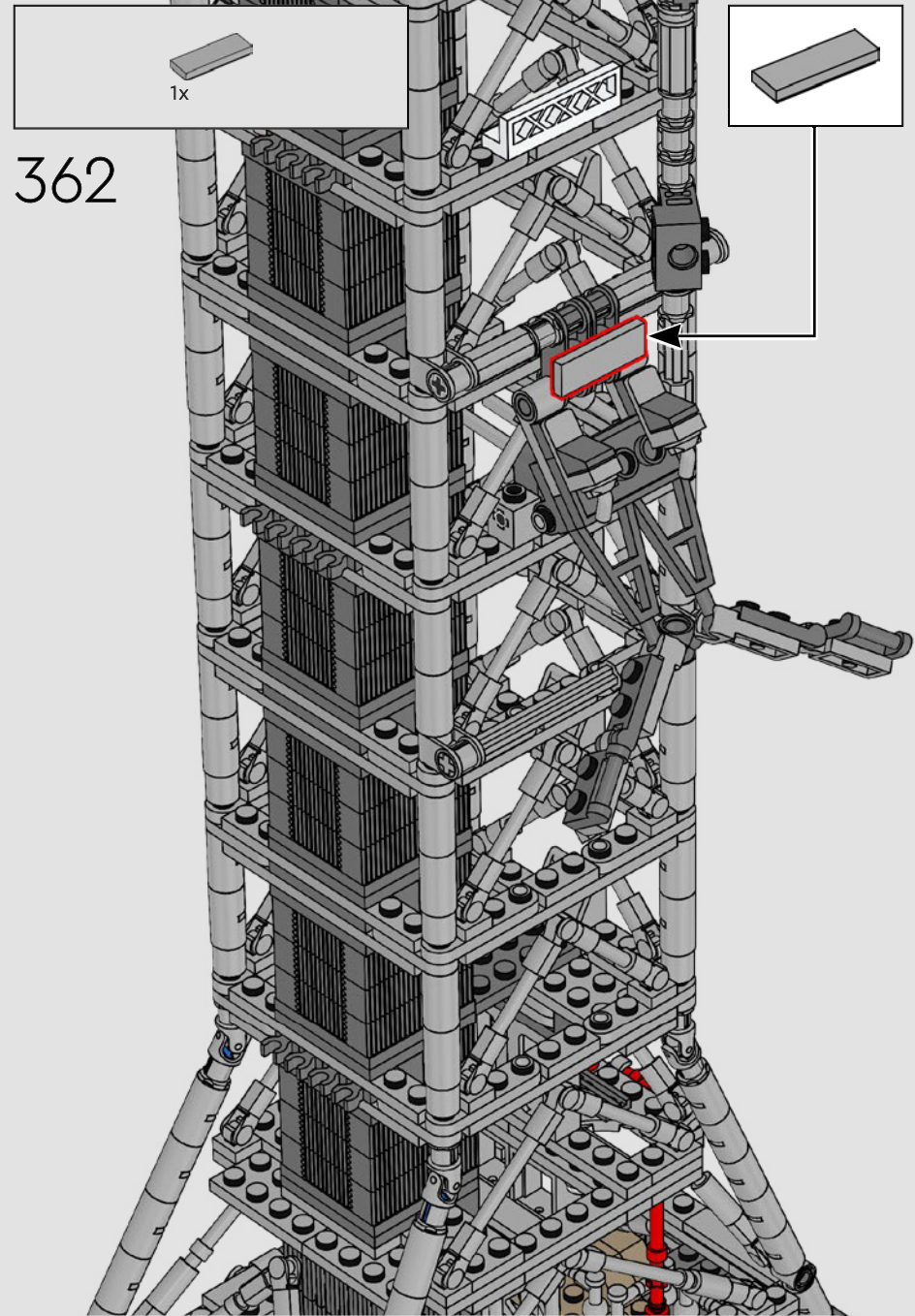


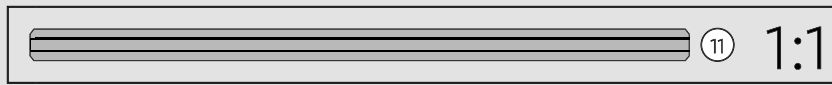
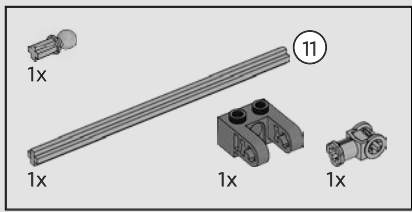
361



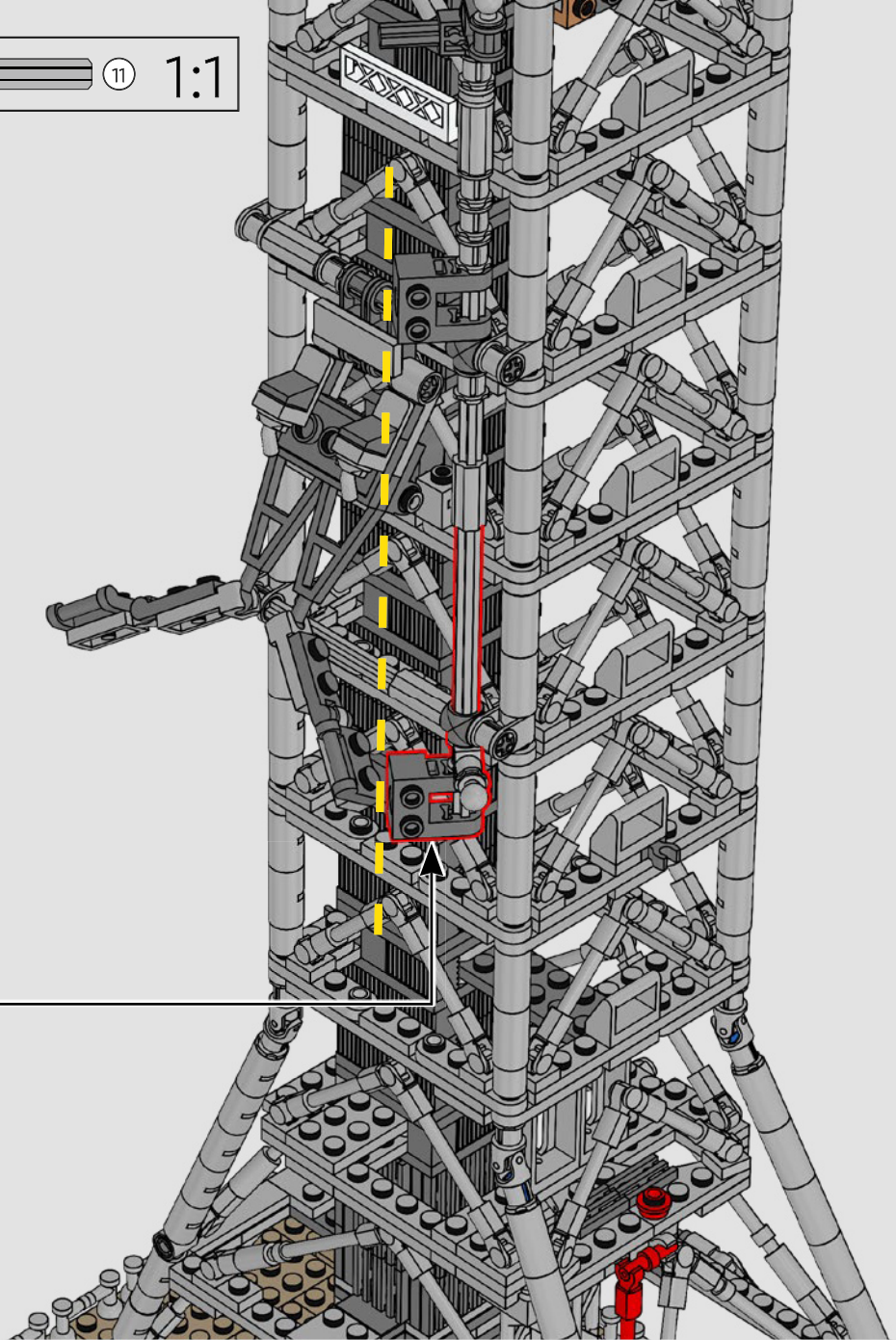
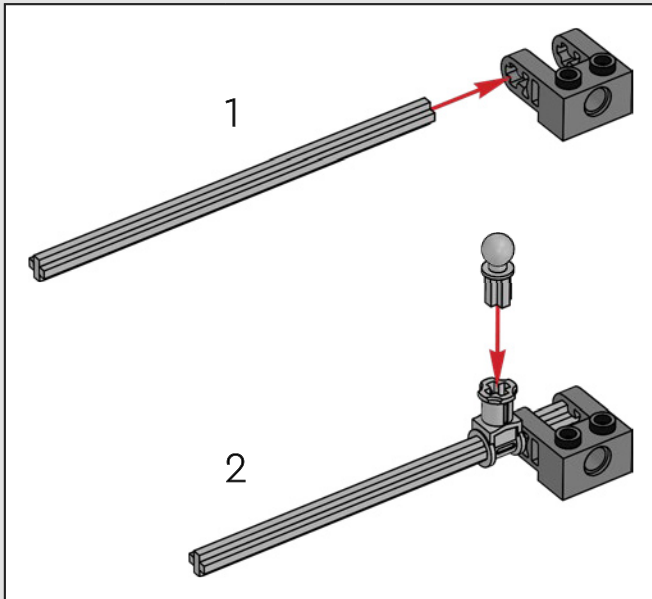


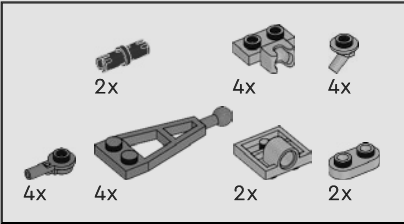
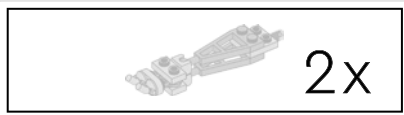
362



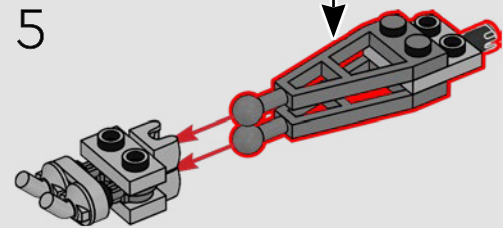
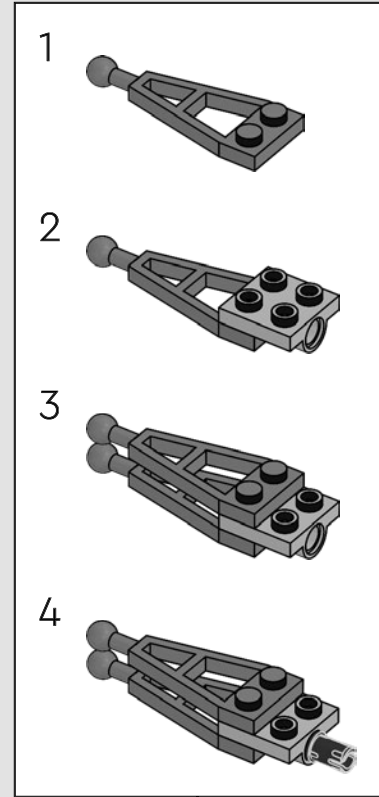
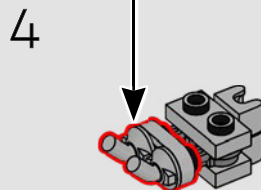
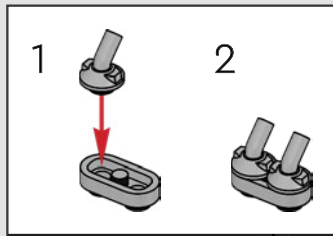
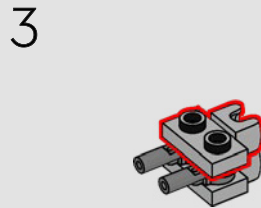
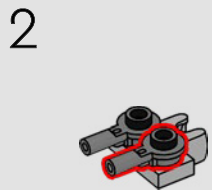
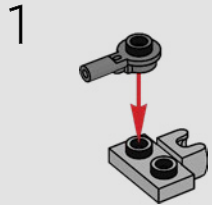


363

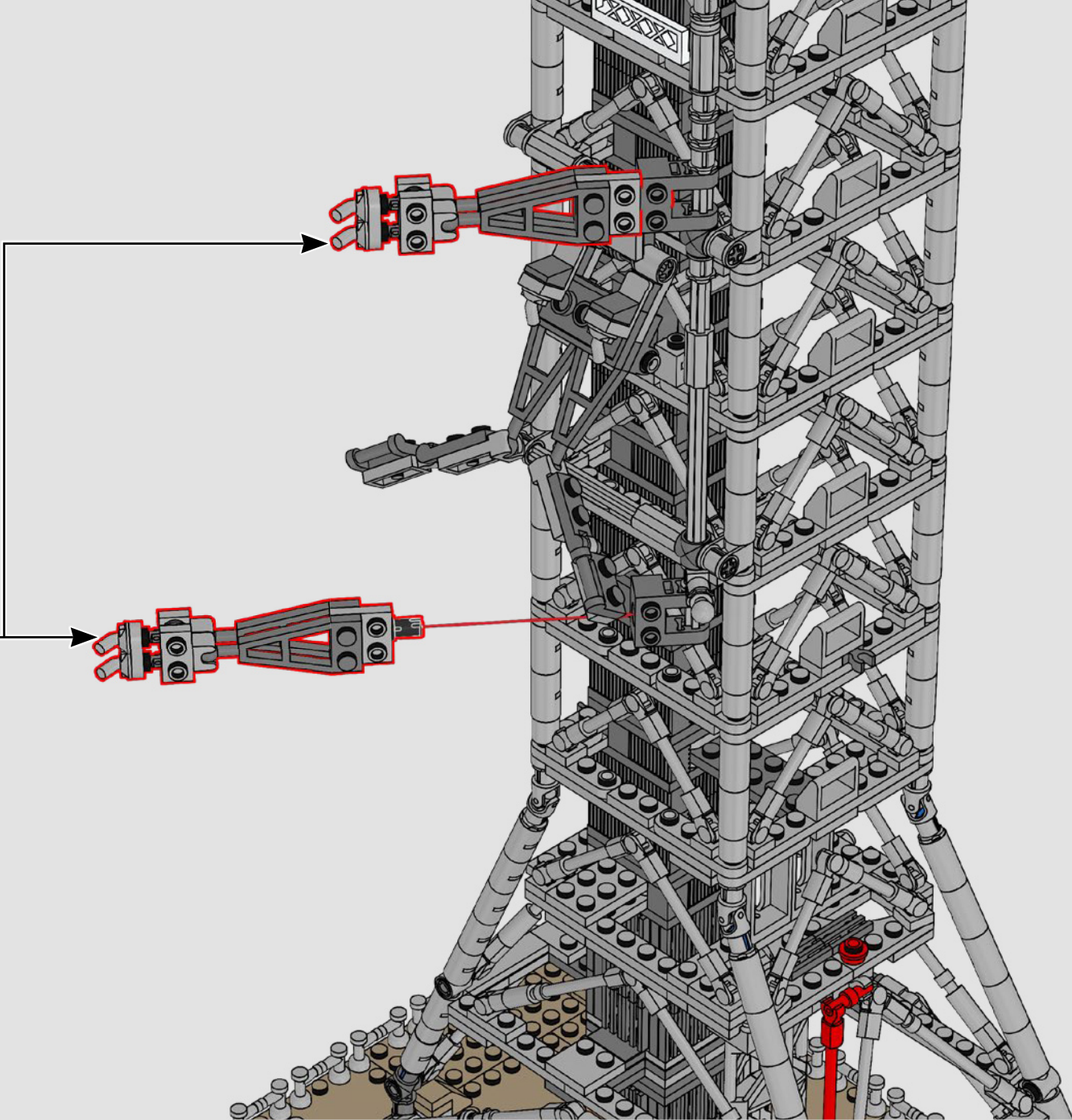


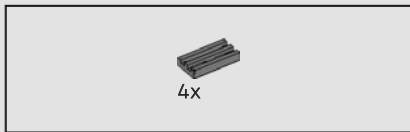


364

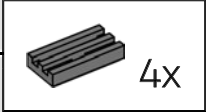
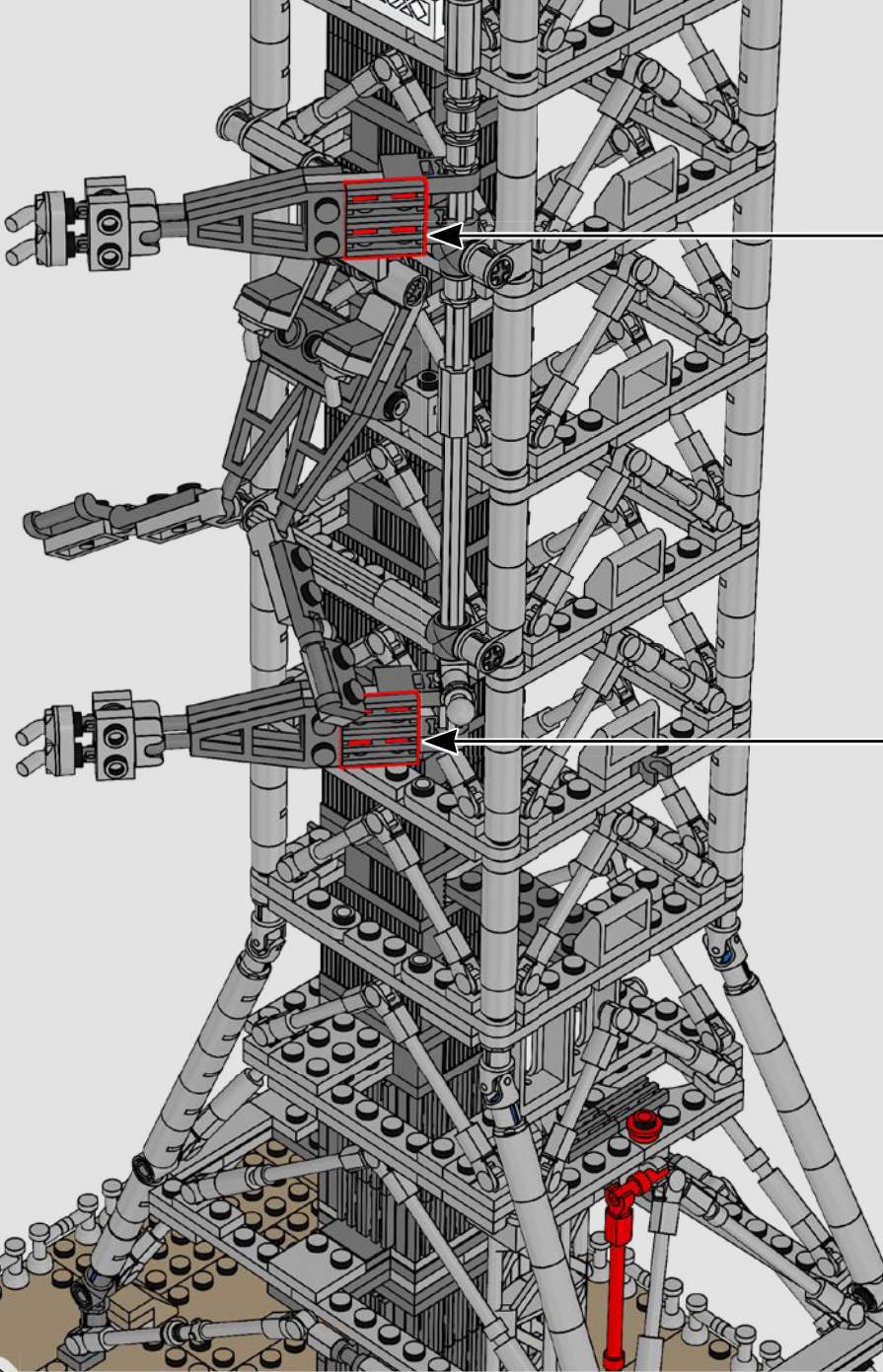


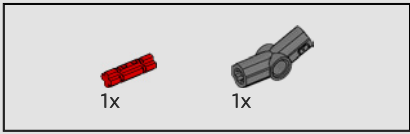
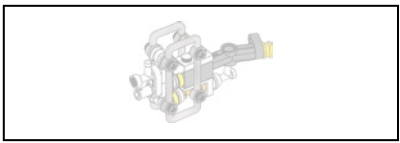
2x



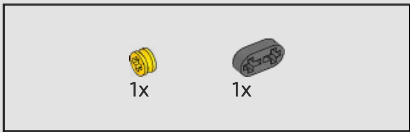
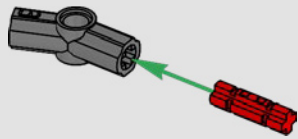


365

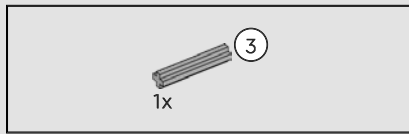
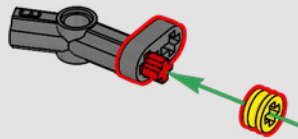




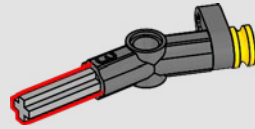
366



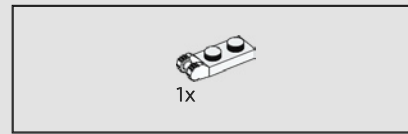
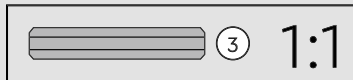
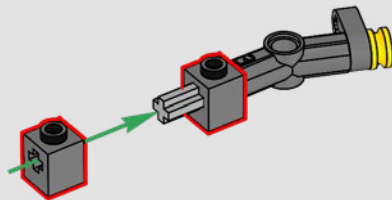
367



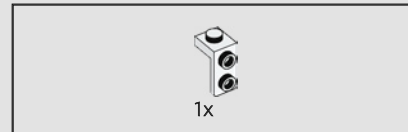
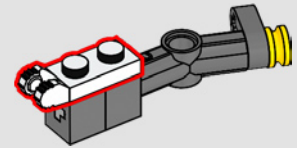
368



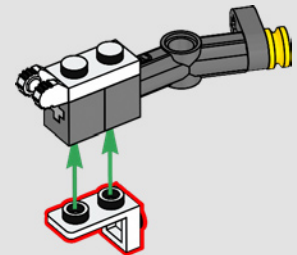
369



370

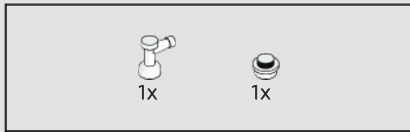
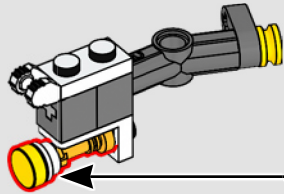
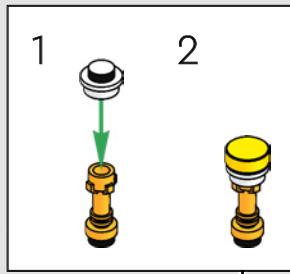


371

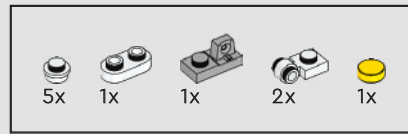
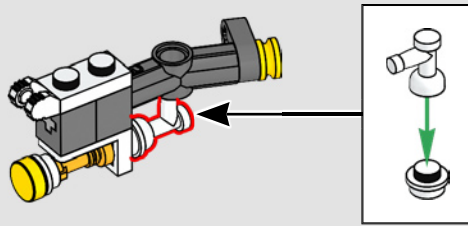




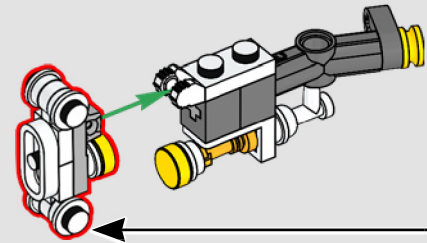
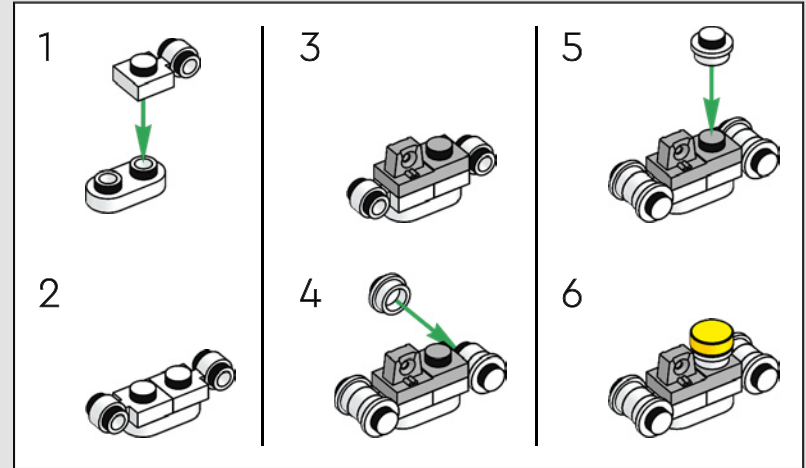
372

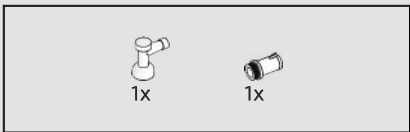


373

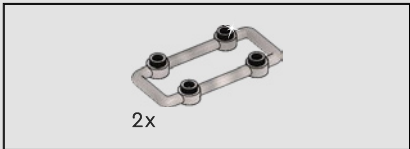
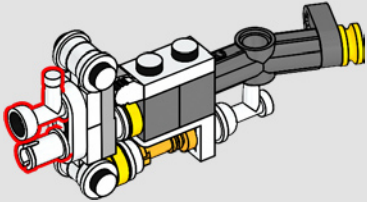


374

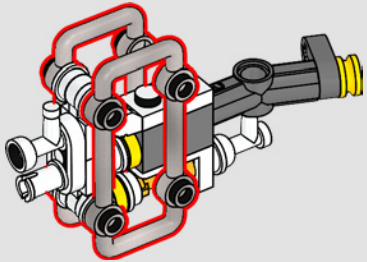




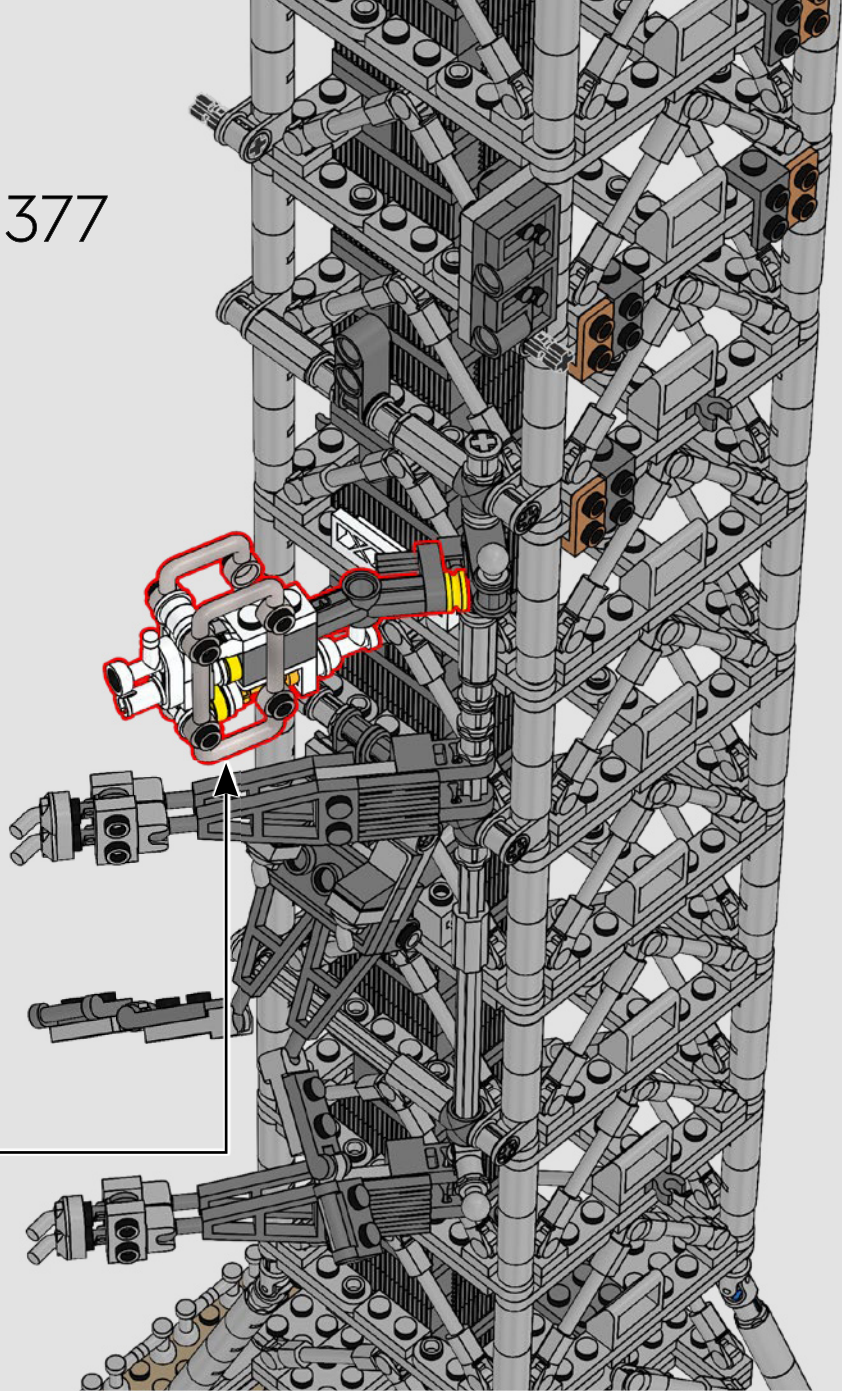
375



376

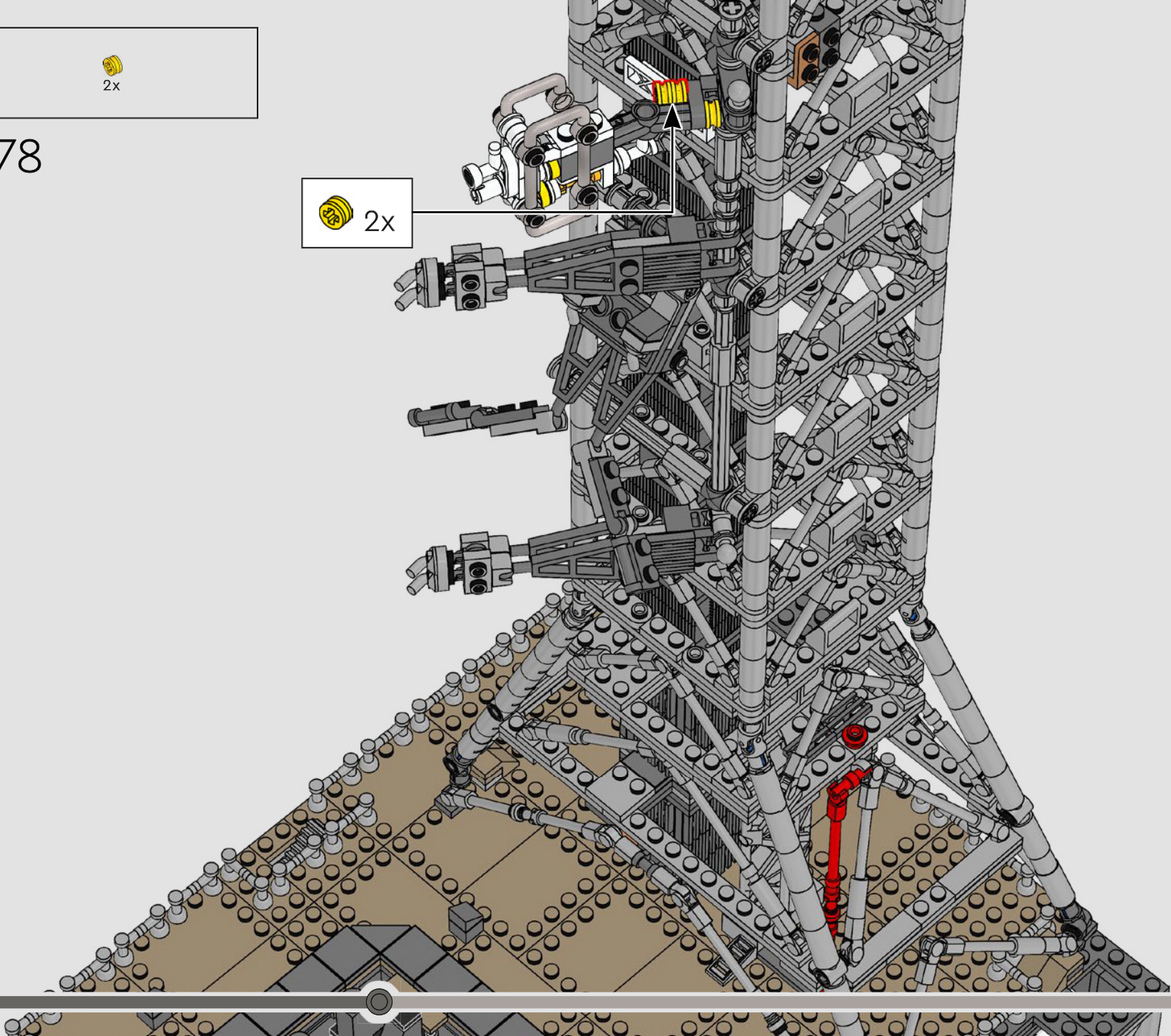


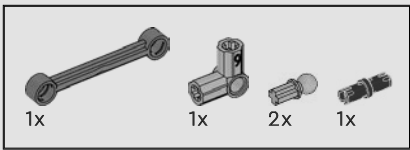
377



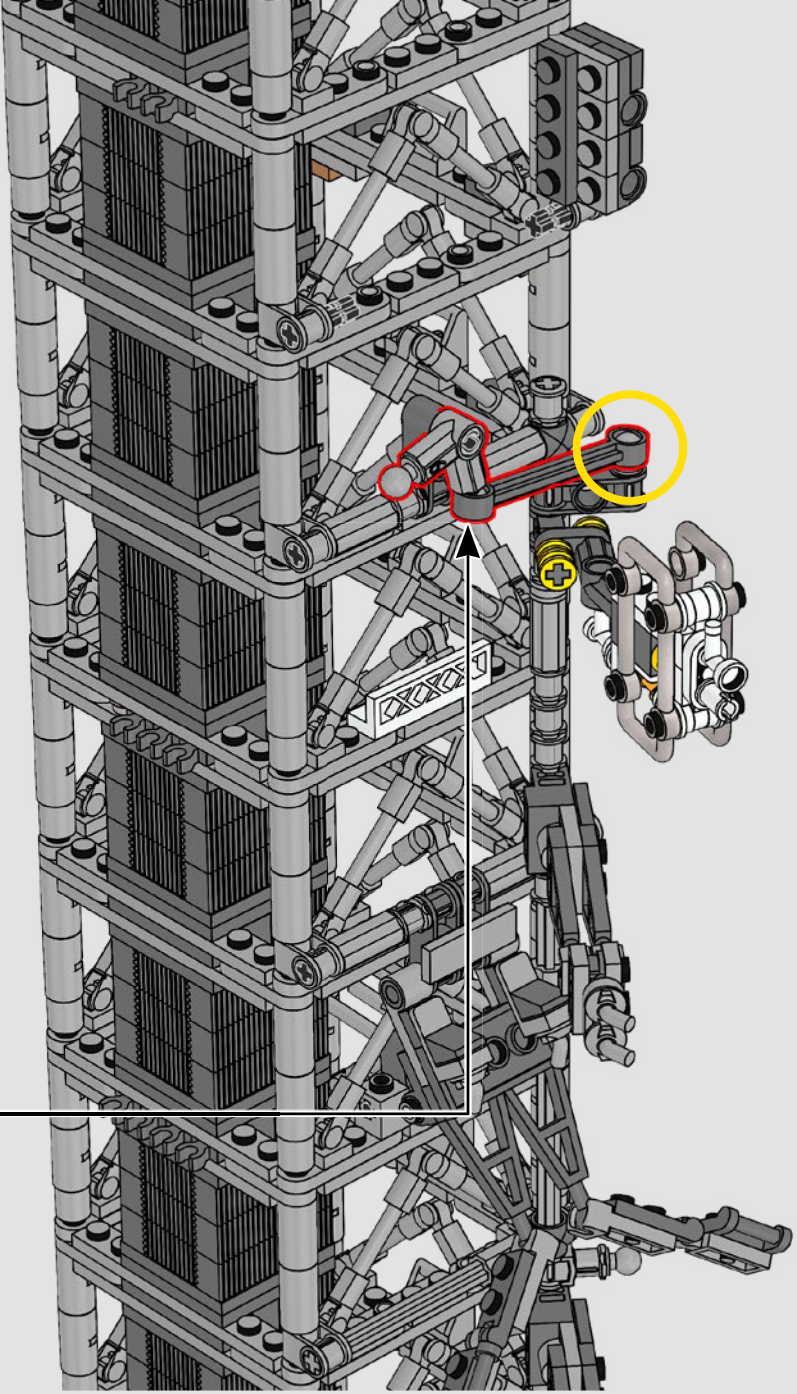
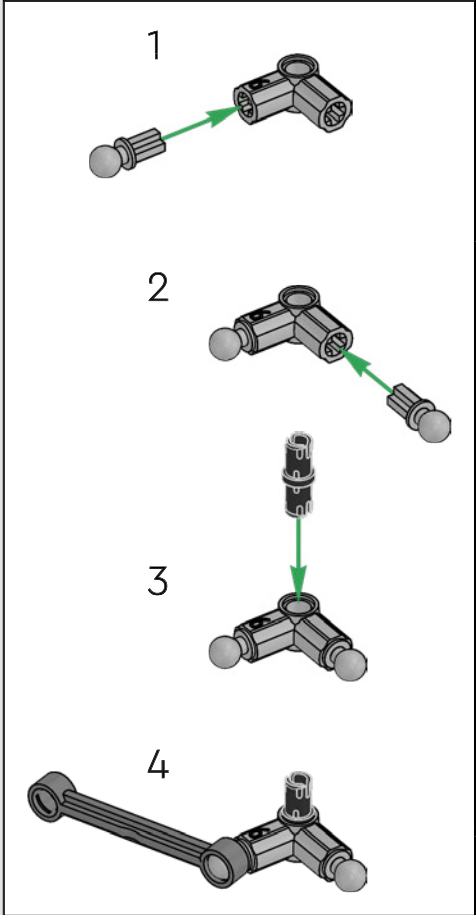


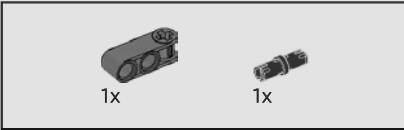
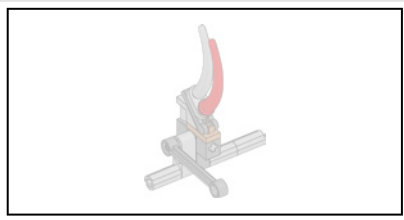
378



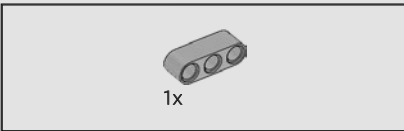
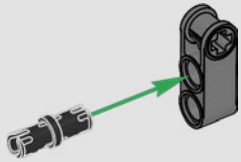


379

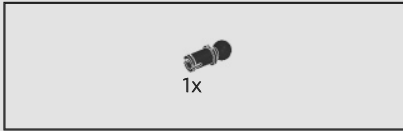
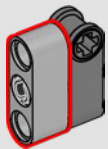




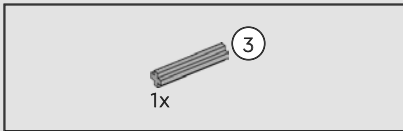
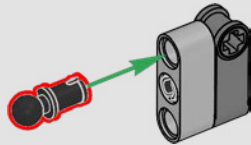
380



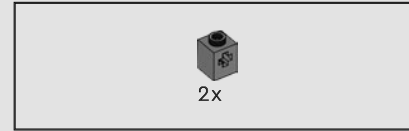
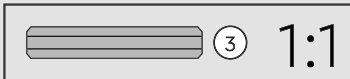
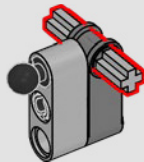
381



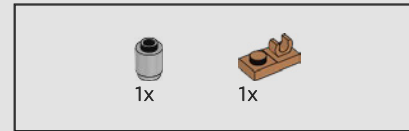
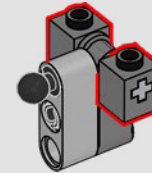
382



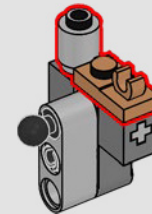
383

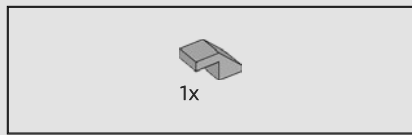


384

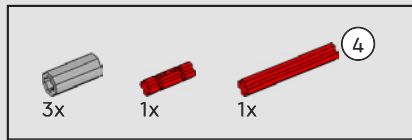
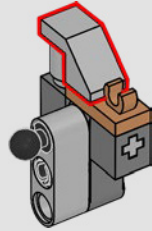
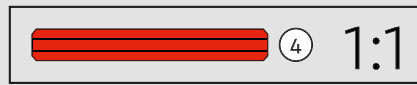


385

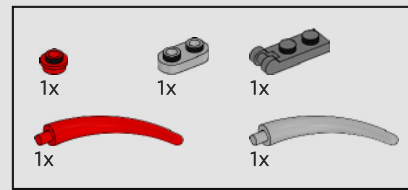
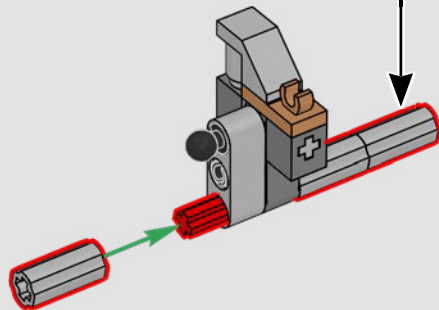
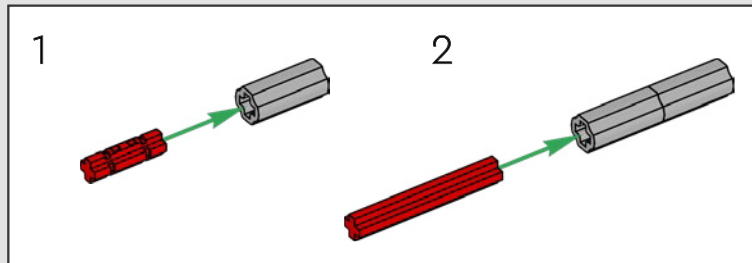




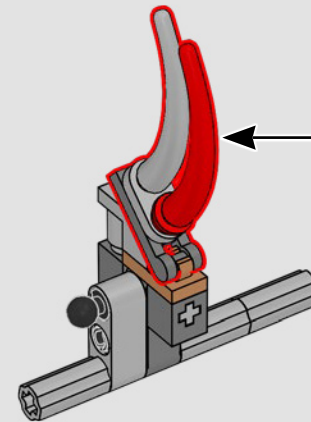
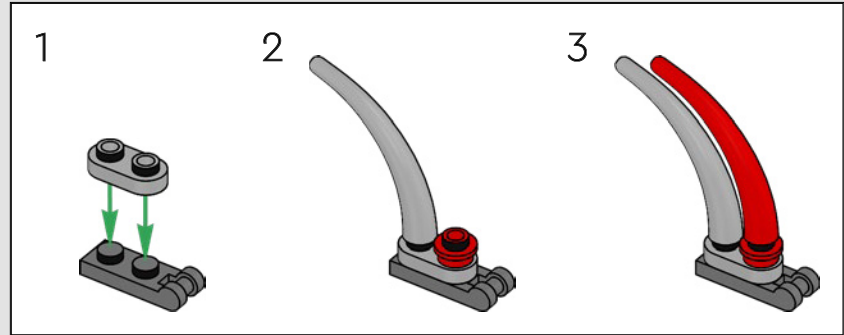
386

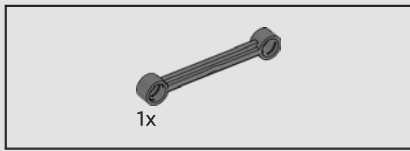


387

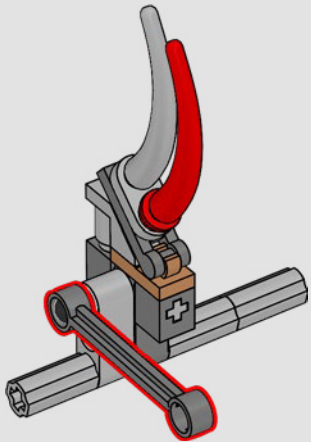


388

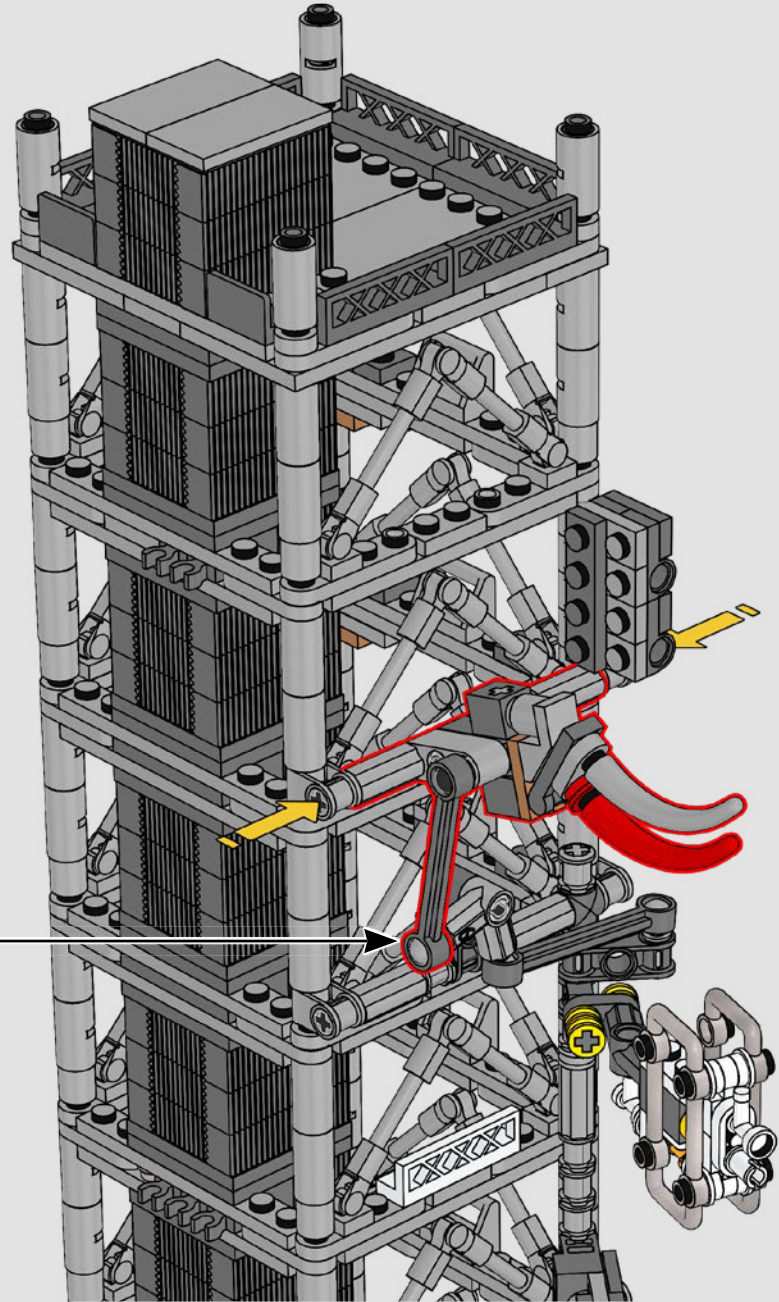


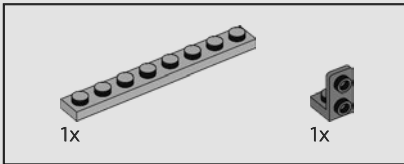
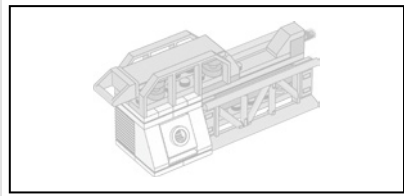


389

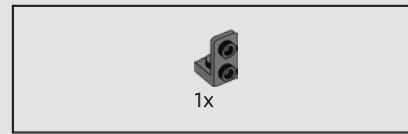
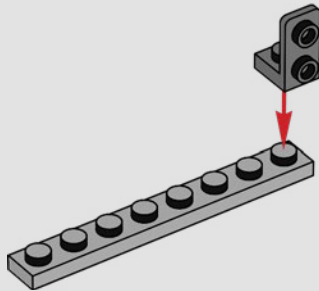


390

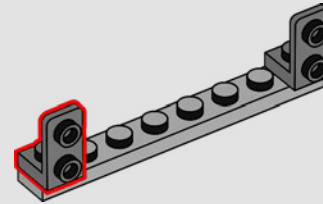




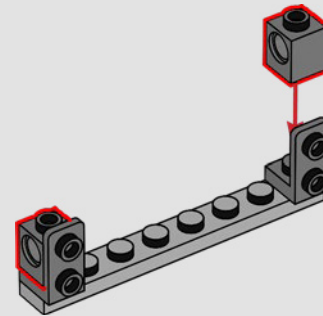
391

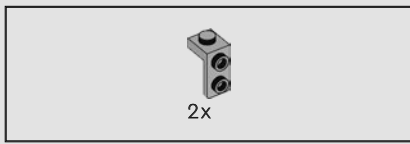


392

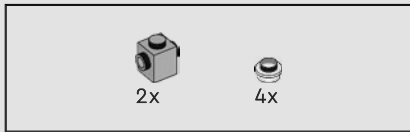
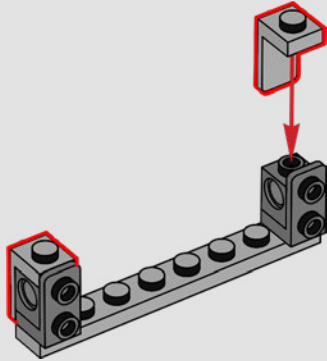


393

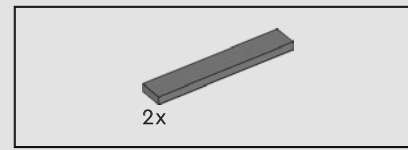
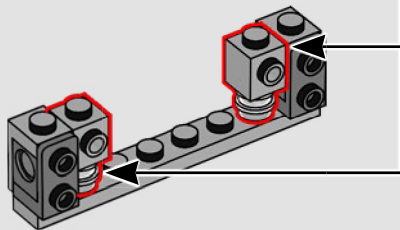
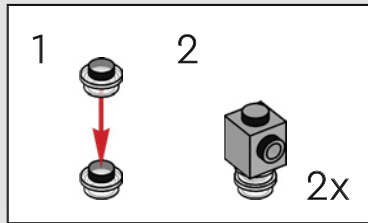




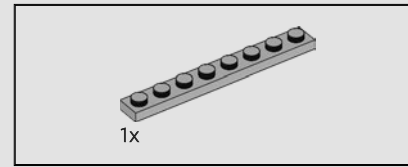
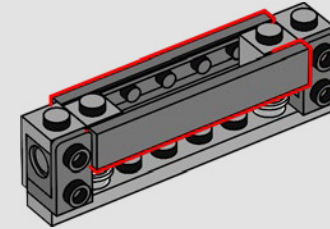
394



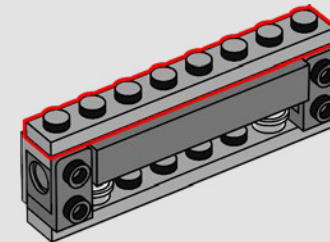
395



396

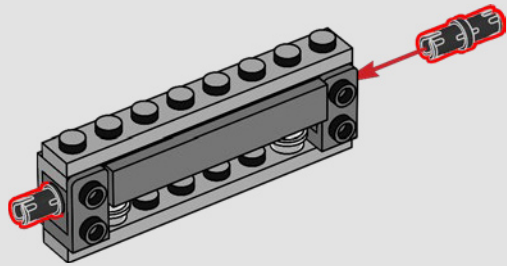


397



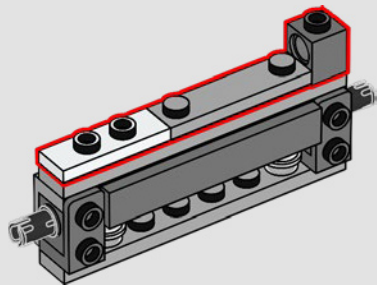
2x

398



1x 1x 1x

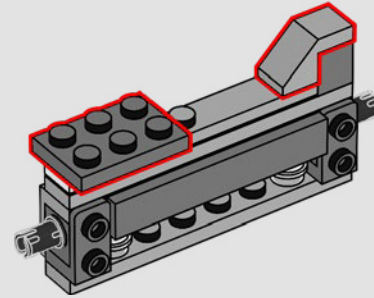
399



1x

1x

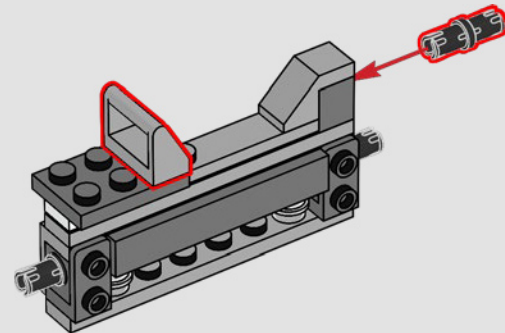
400

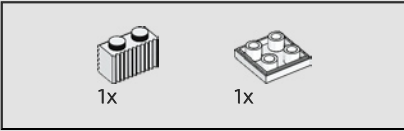
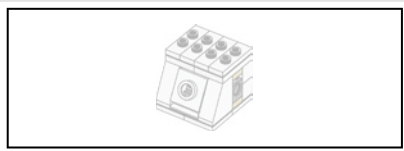


1x

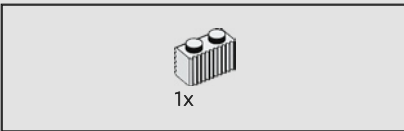
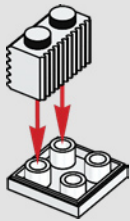
1x

401

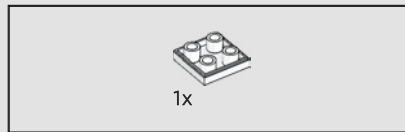
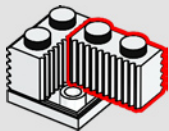




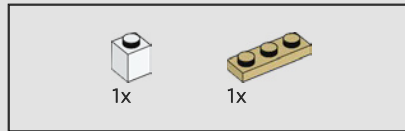
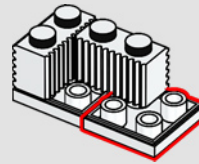
402



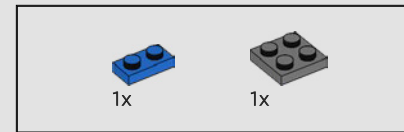
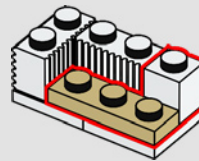
403



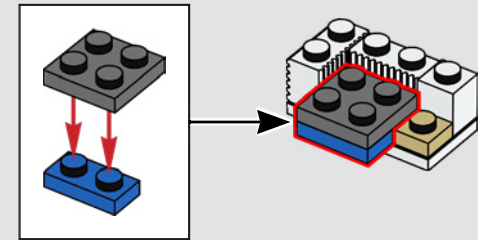
404



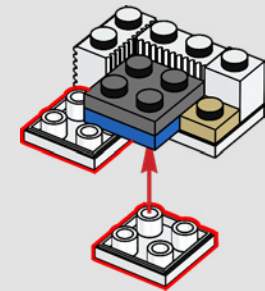
405

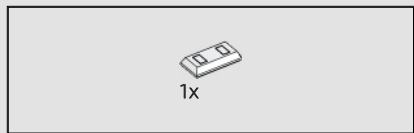


406

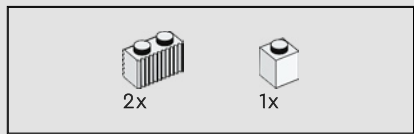
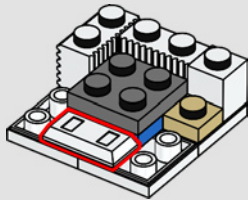


407

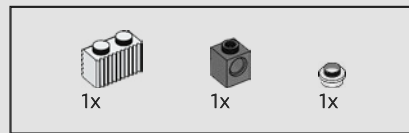
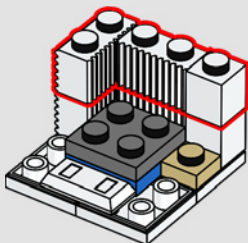




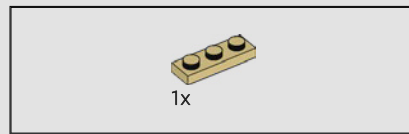
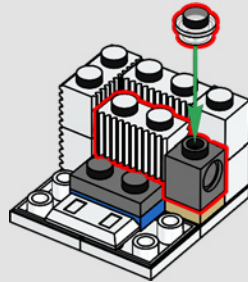
408



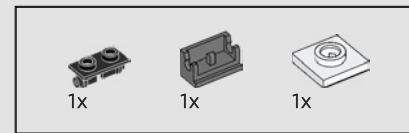
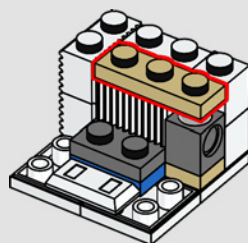
409



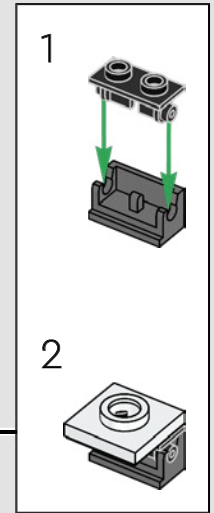
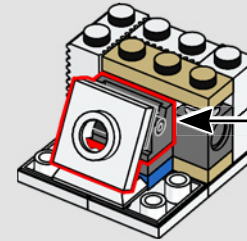
410



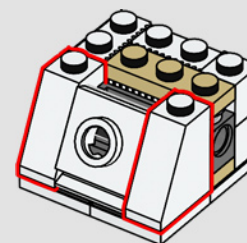
411

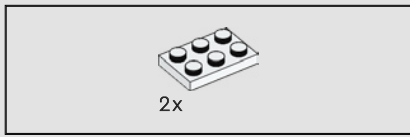


412

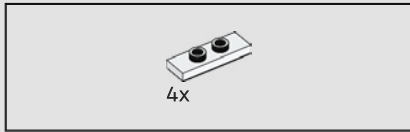
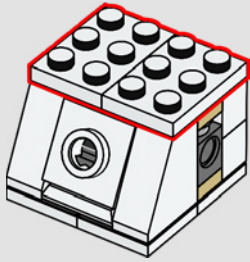


413





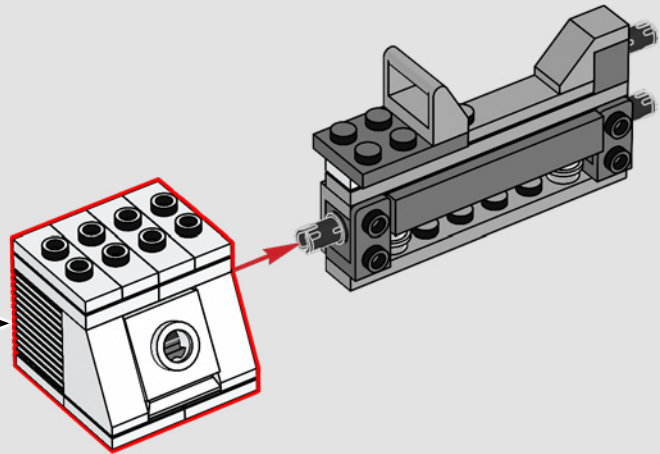
414



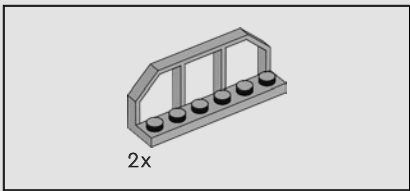
415



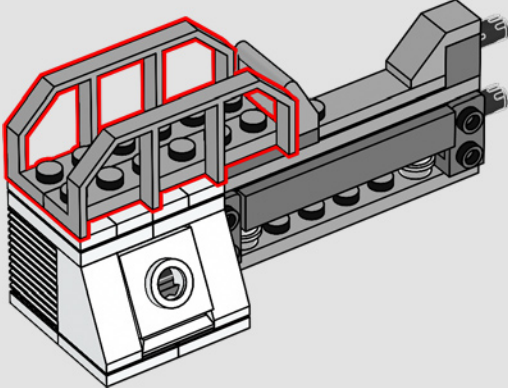
416



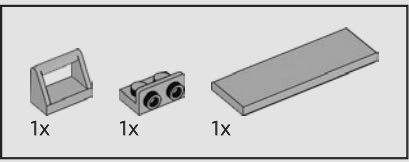
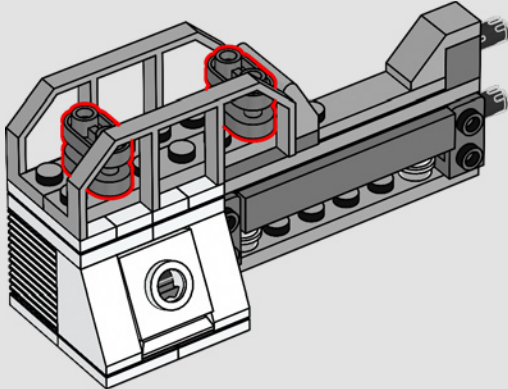
A new 2x2 turntable element was used to make the hatch on the crew bridge.



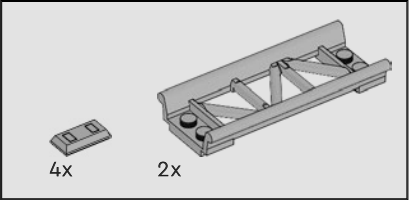
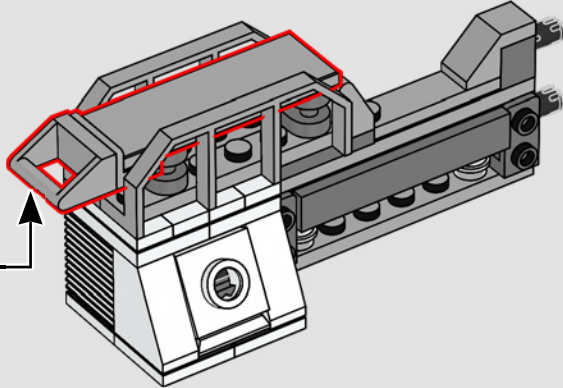
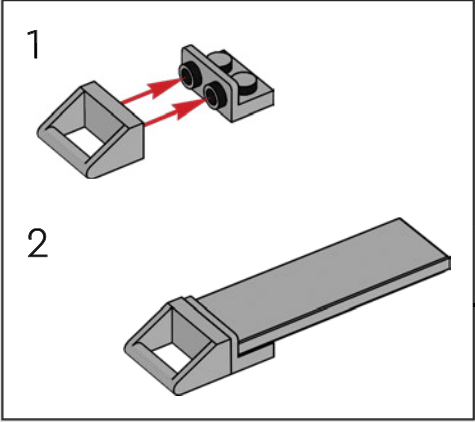
417



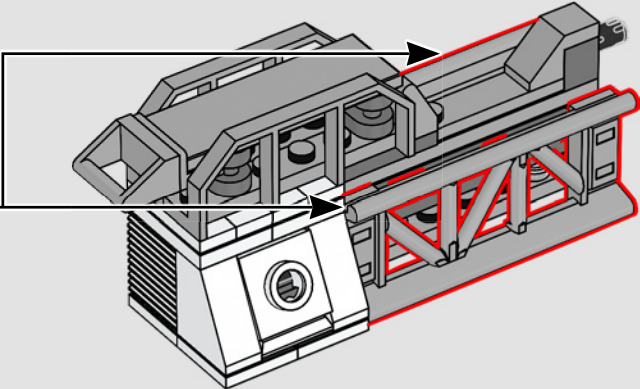
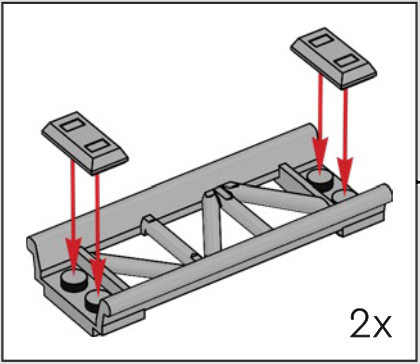
418



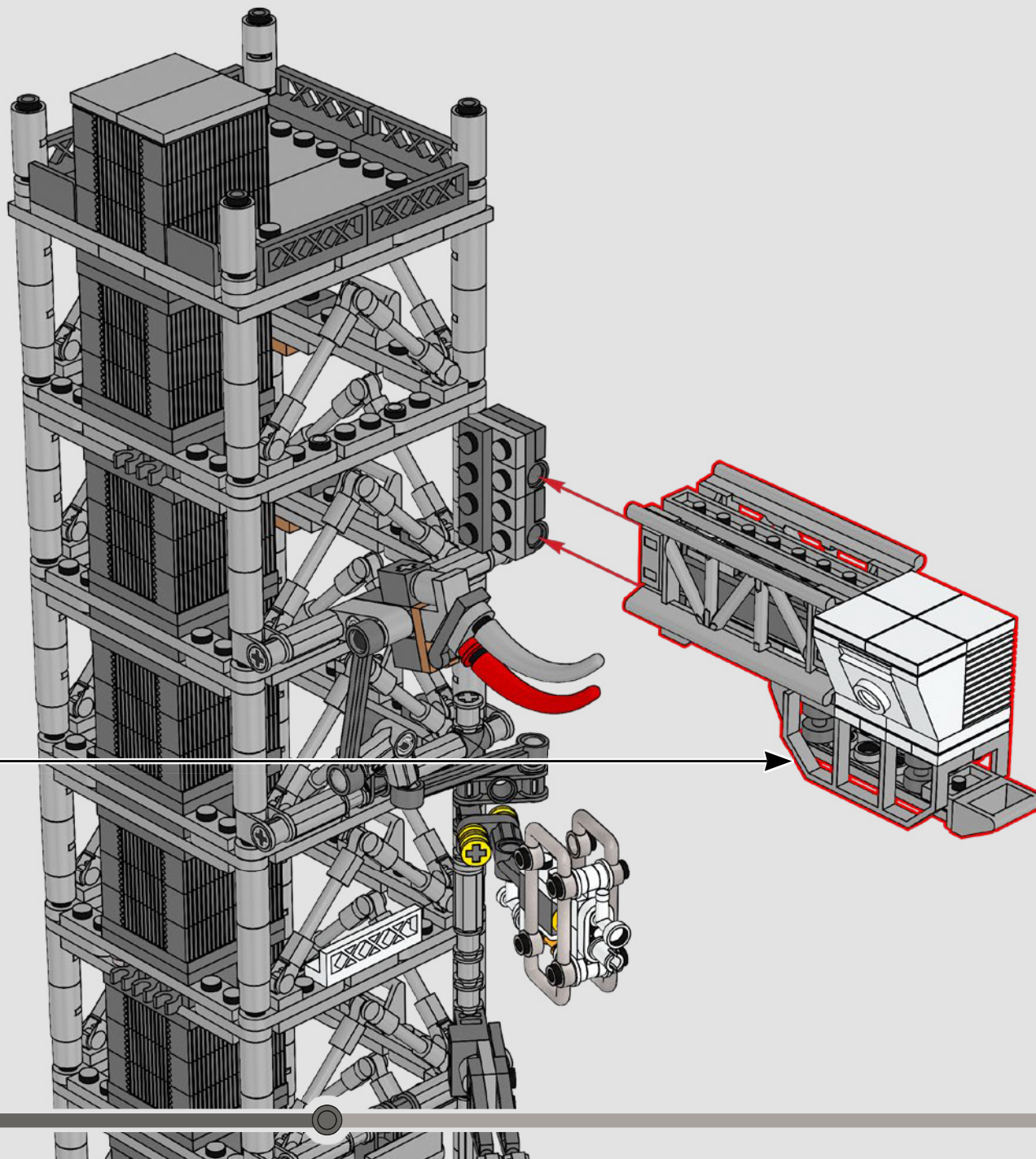
419

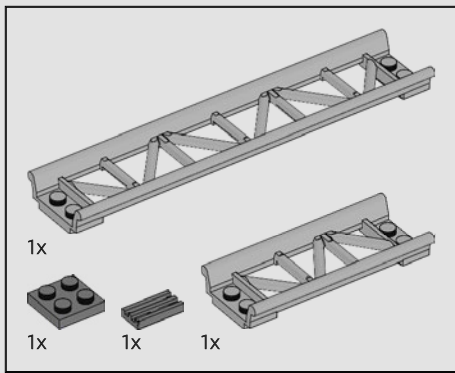


420



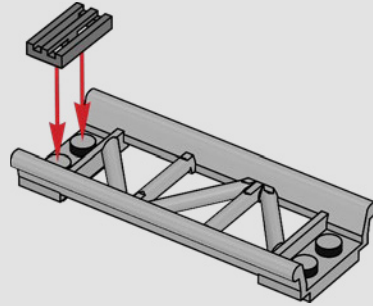
421



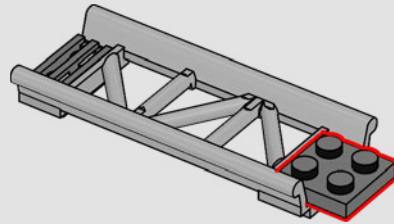


422

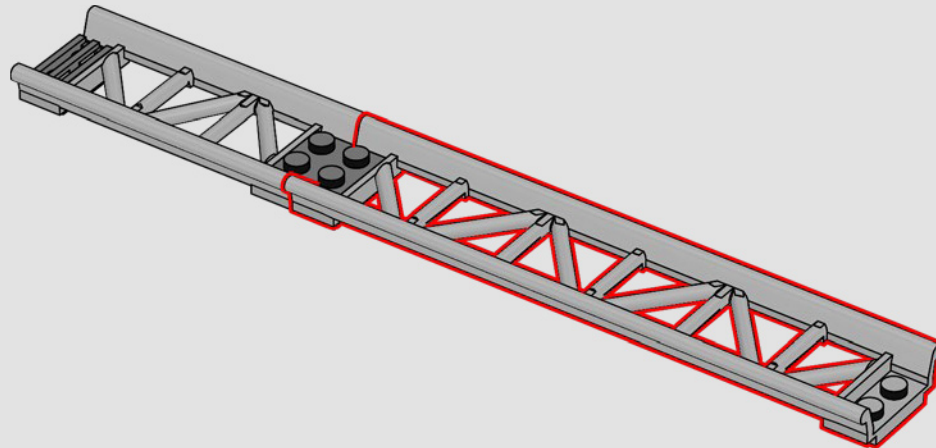
1

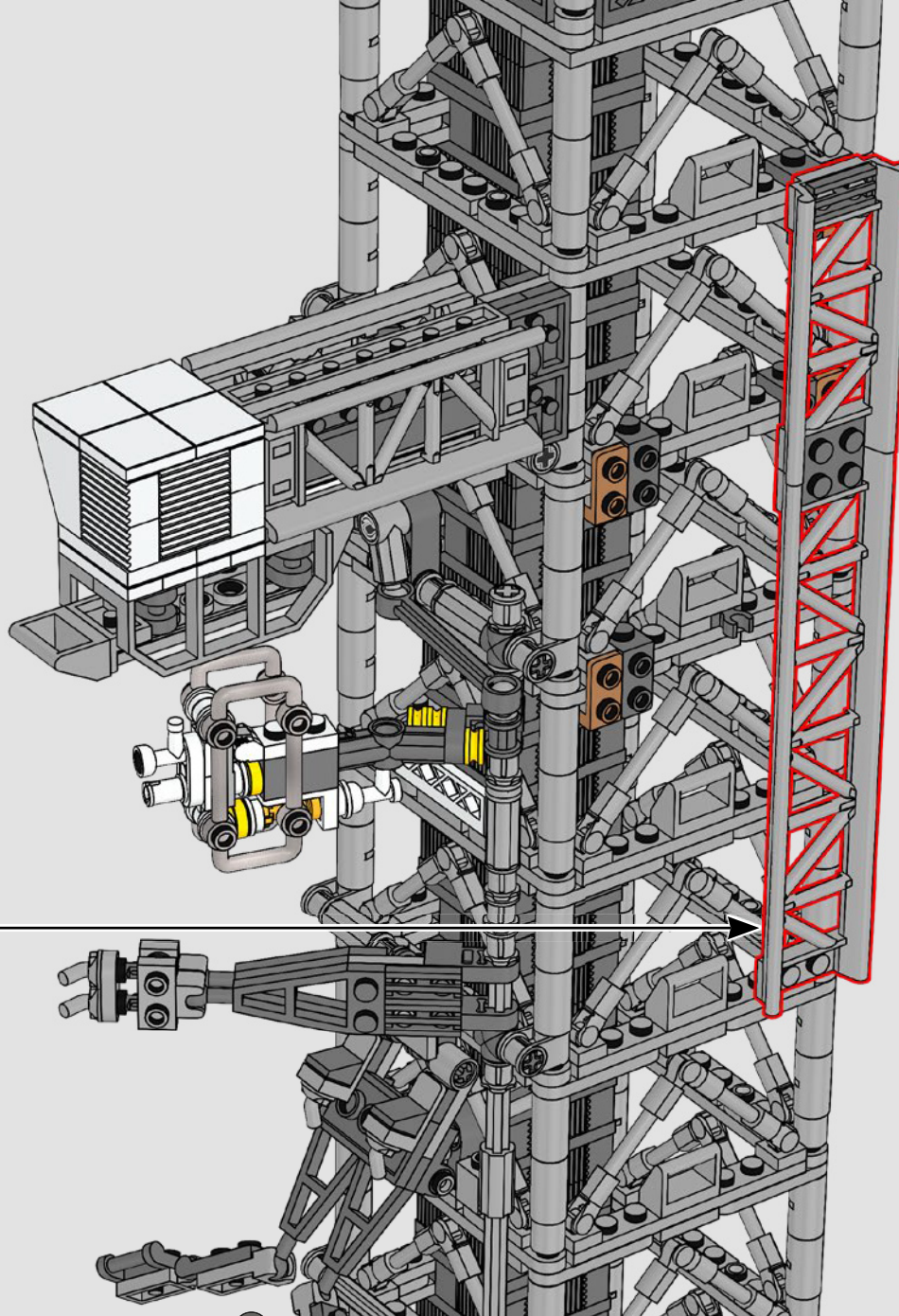


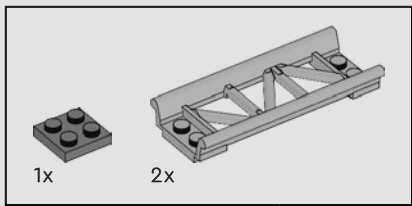
2



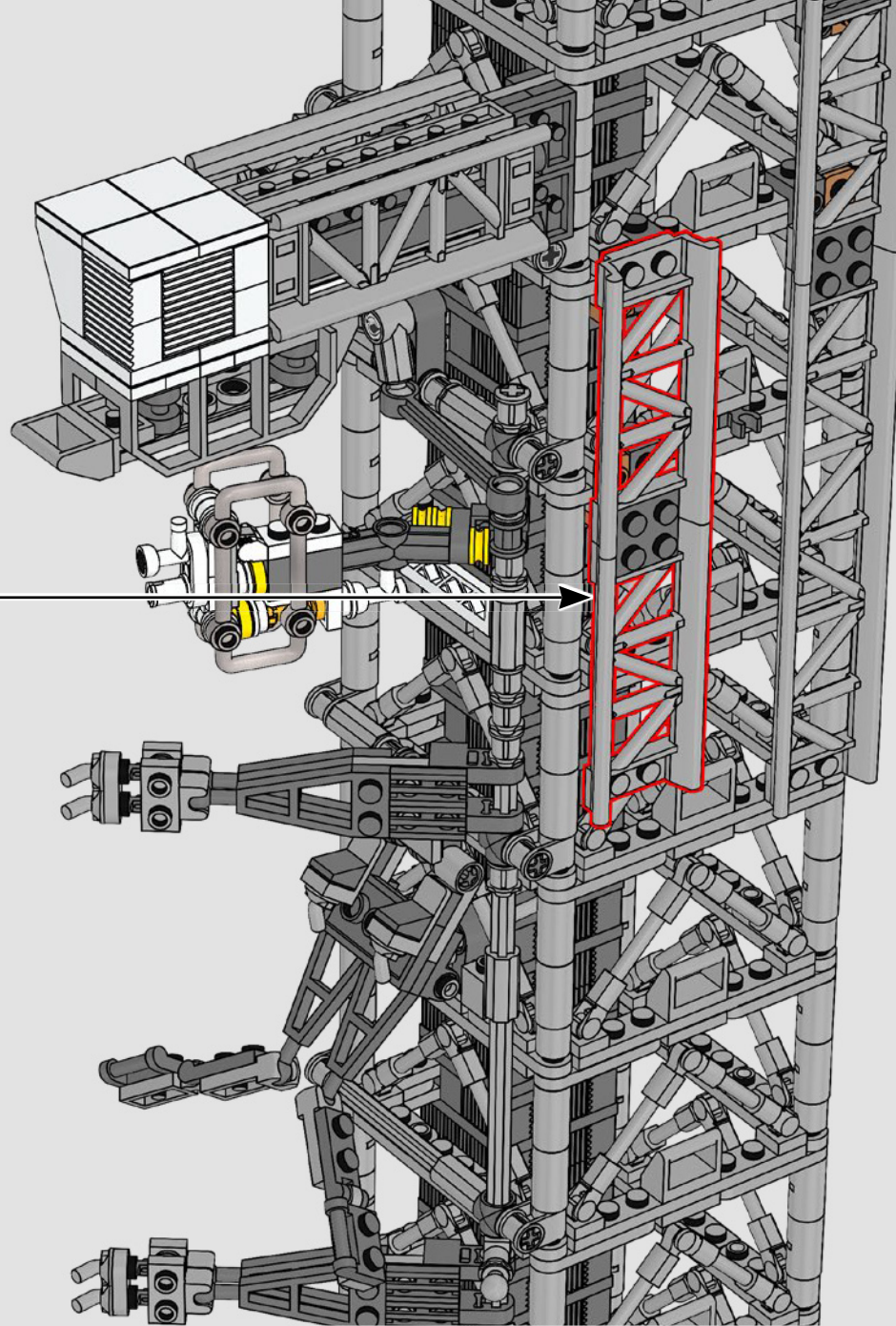
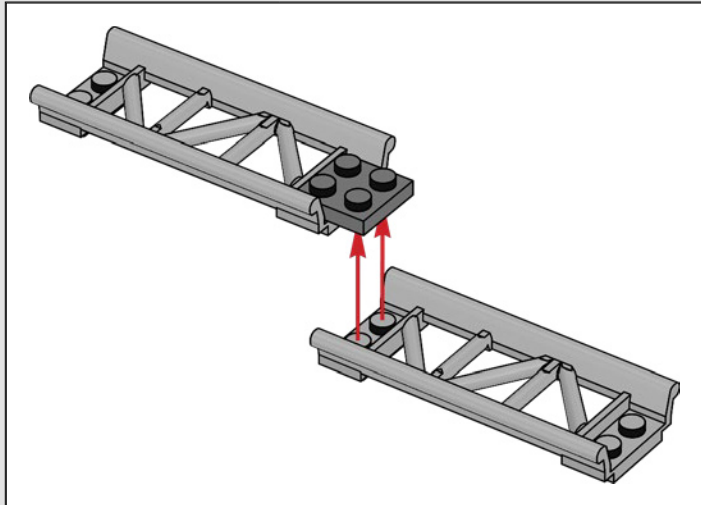
3





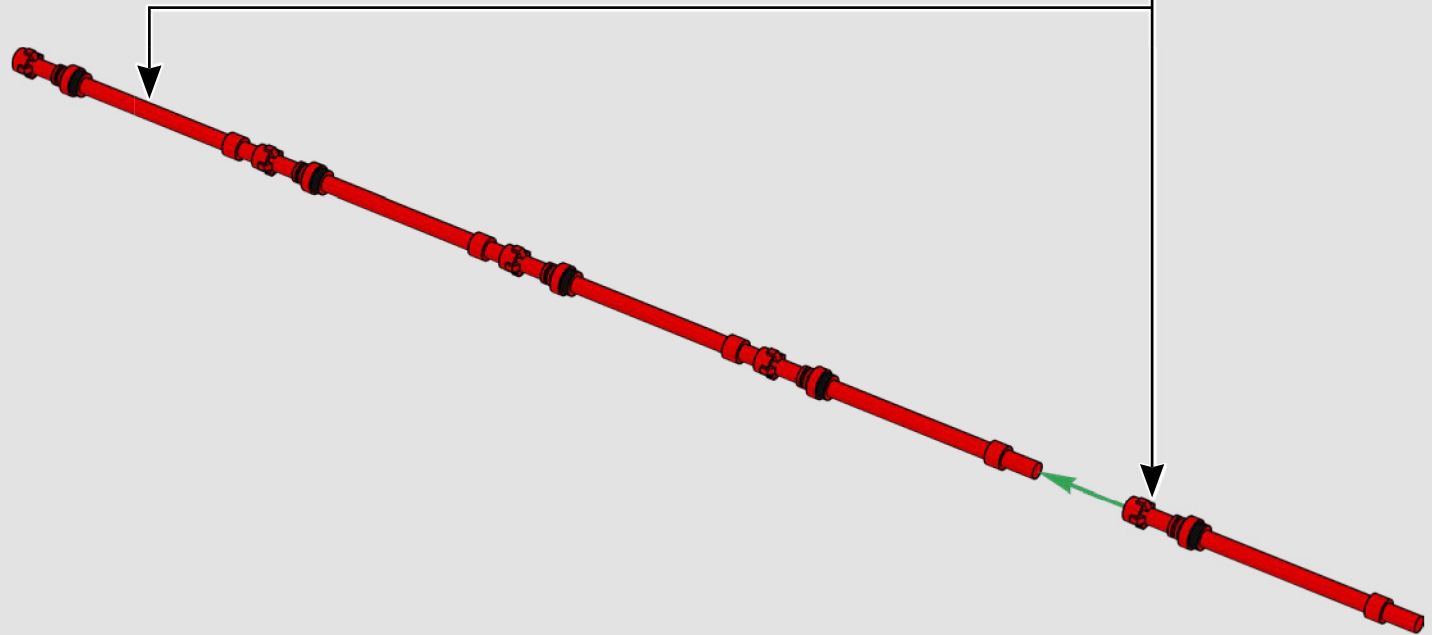
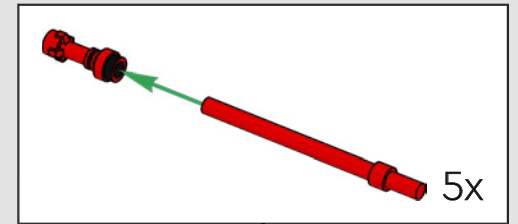


423

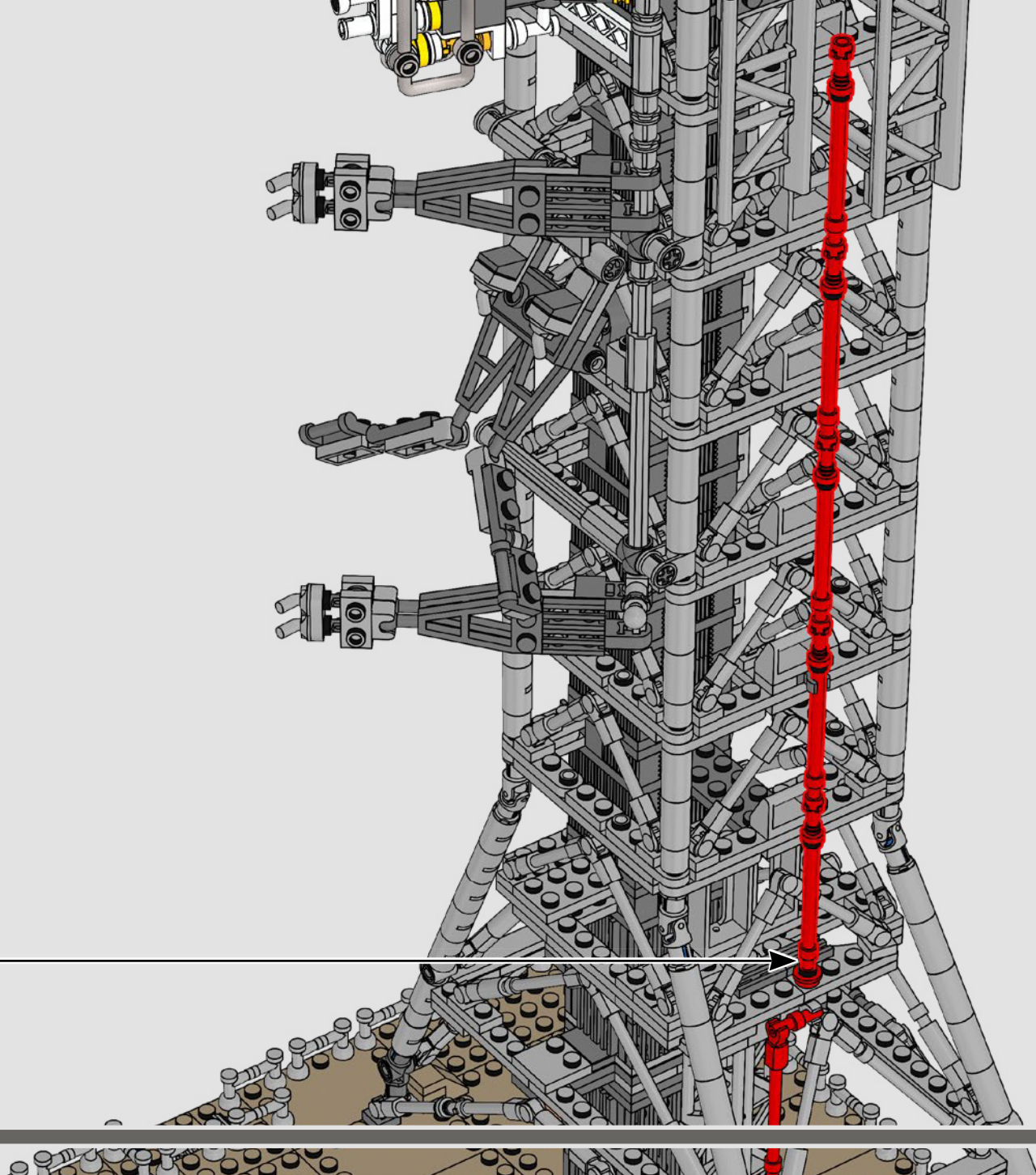


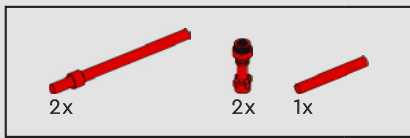


424

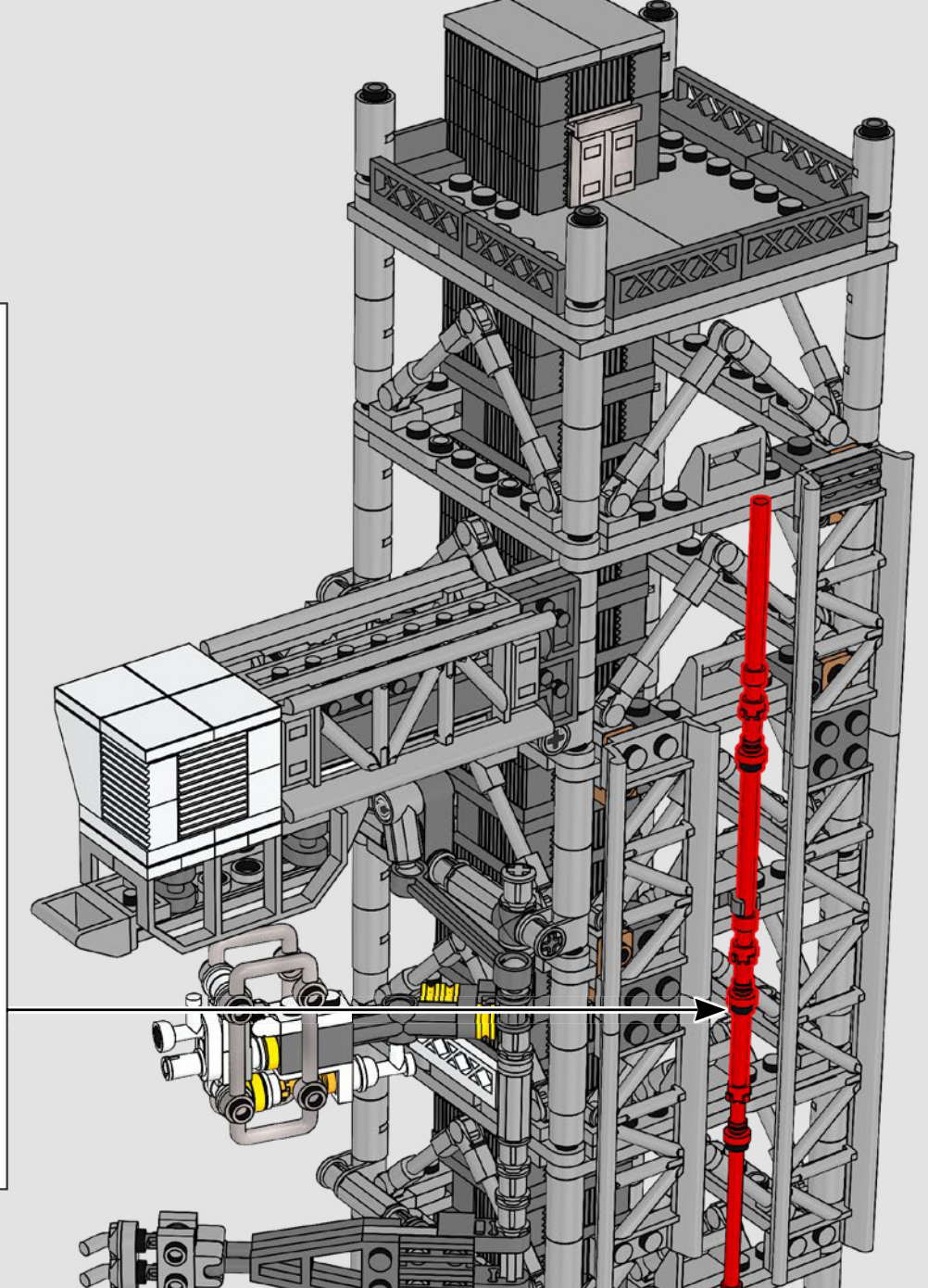
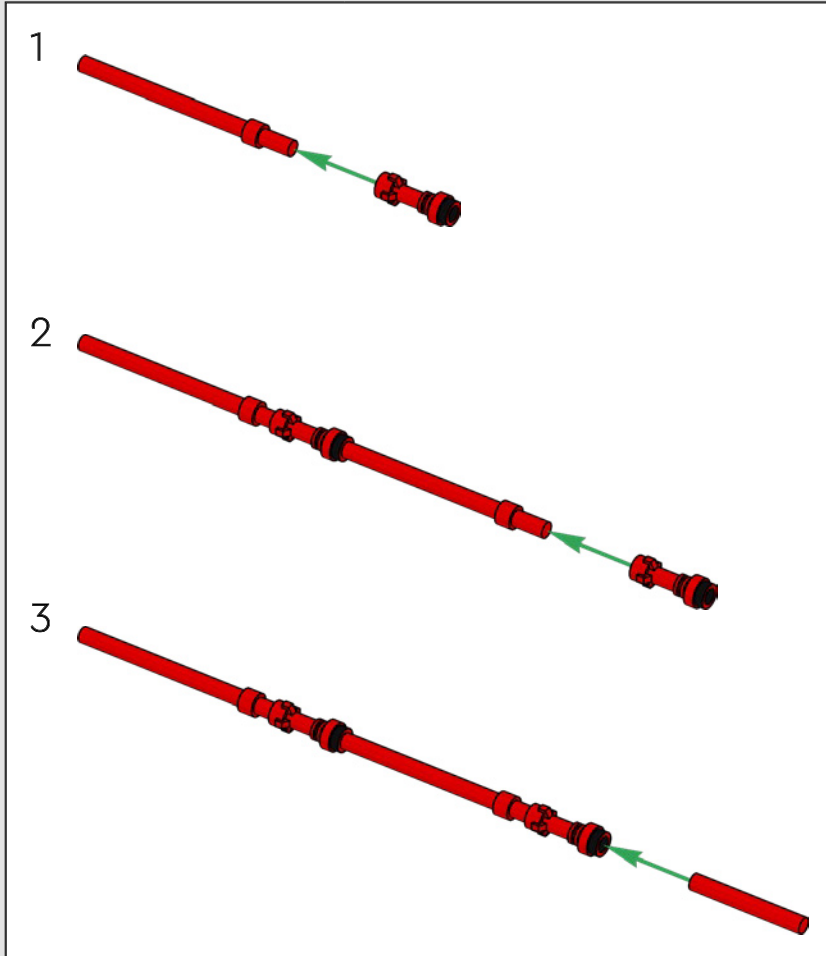


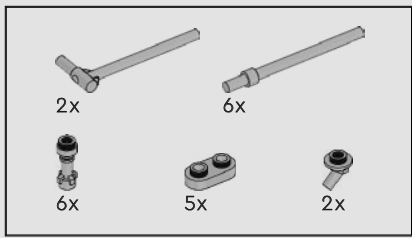
425



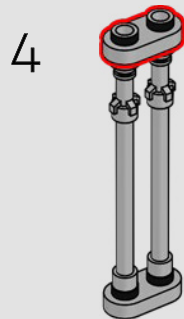
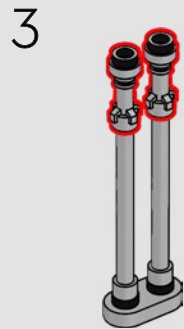
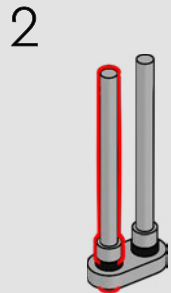
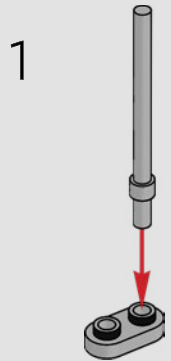


426

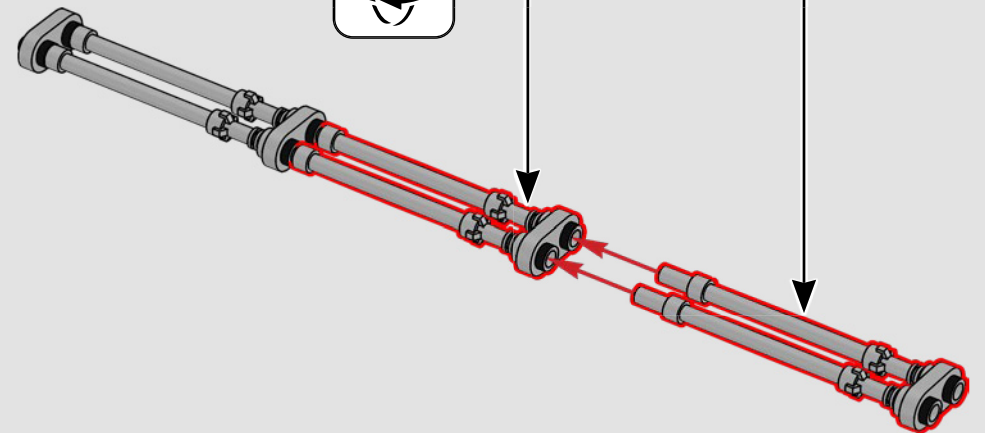
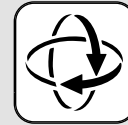
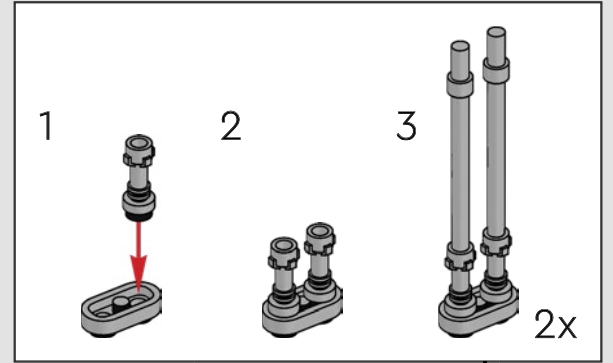




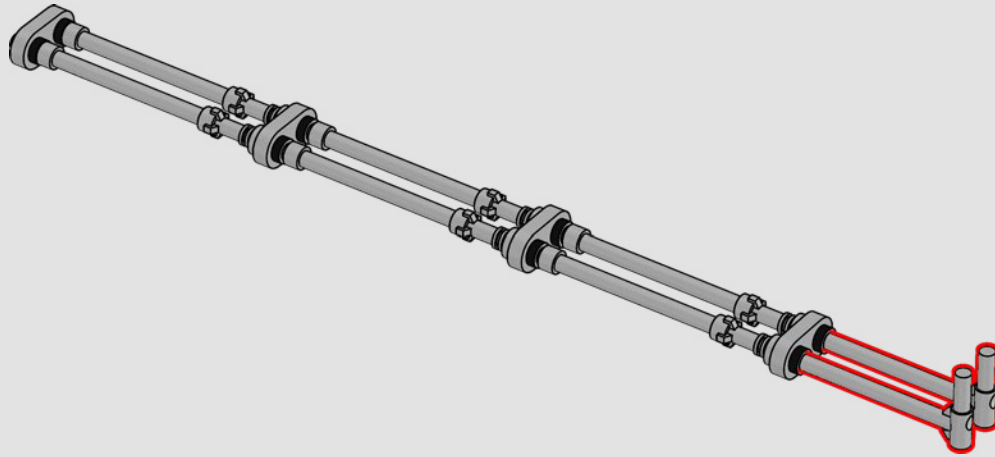
427



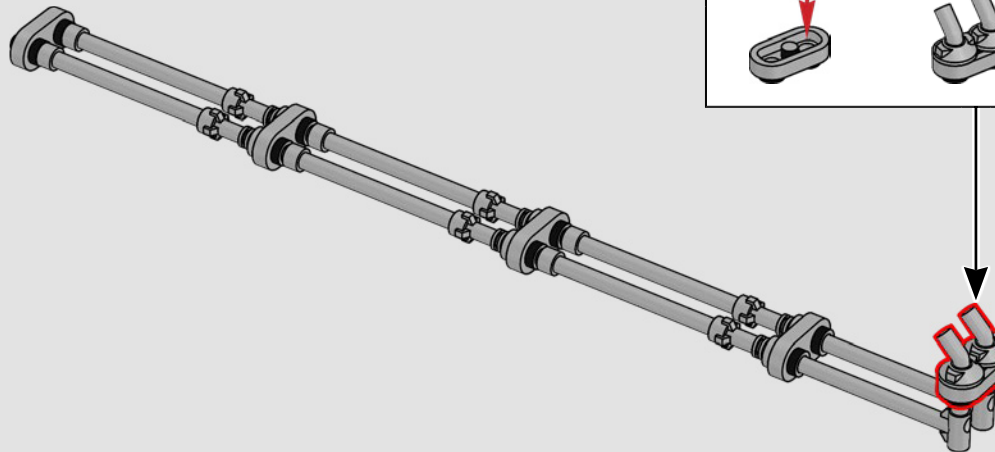
5

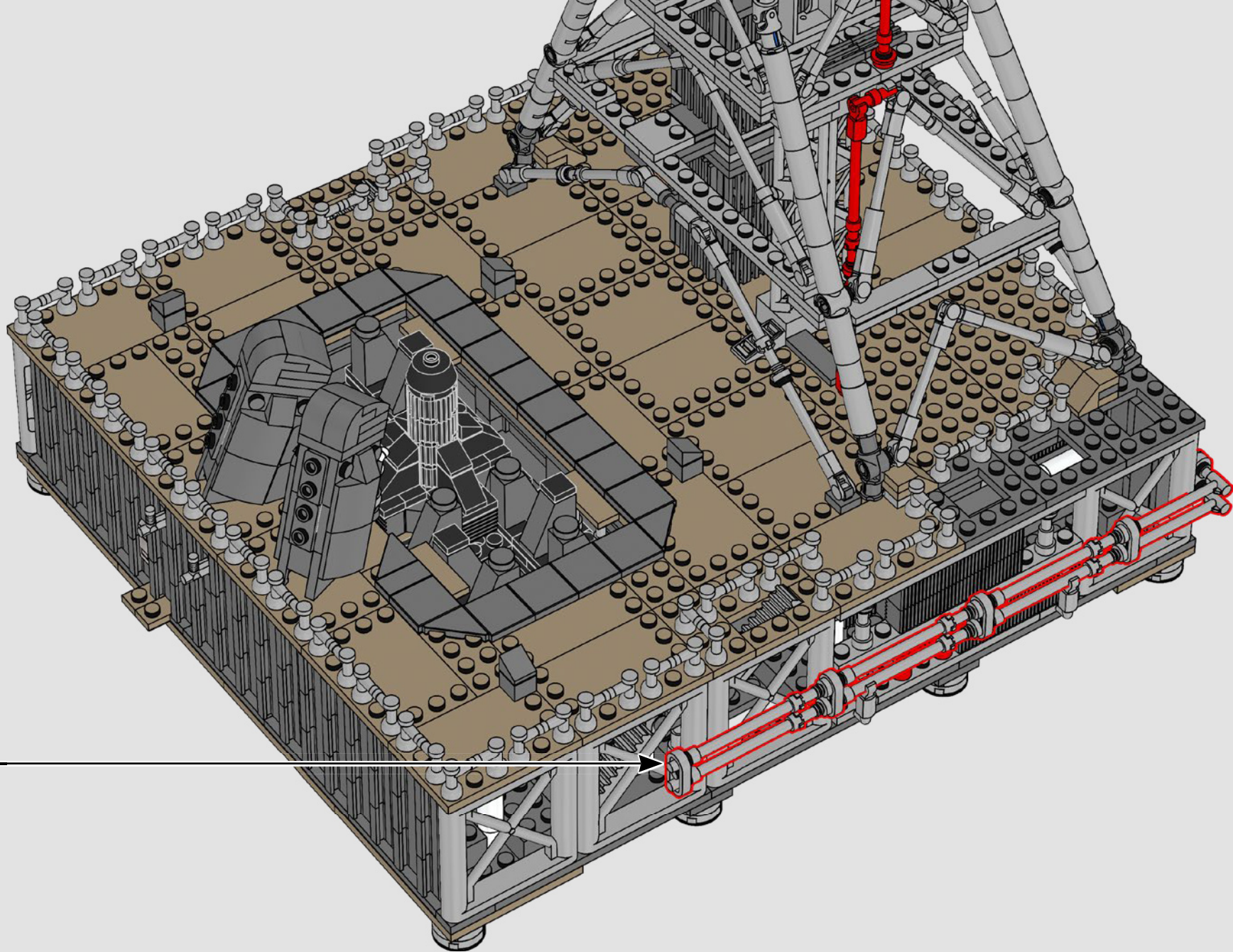


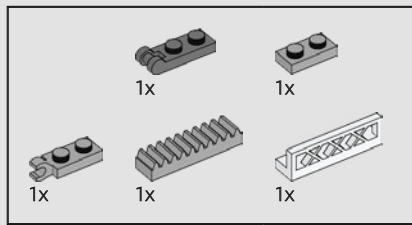
6



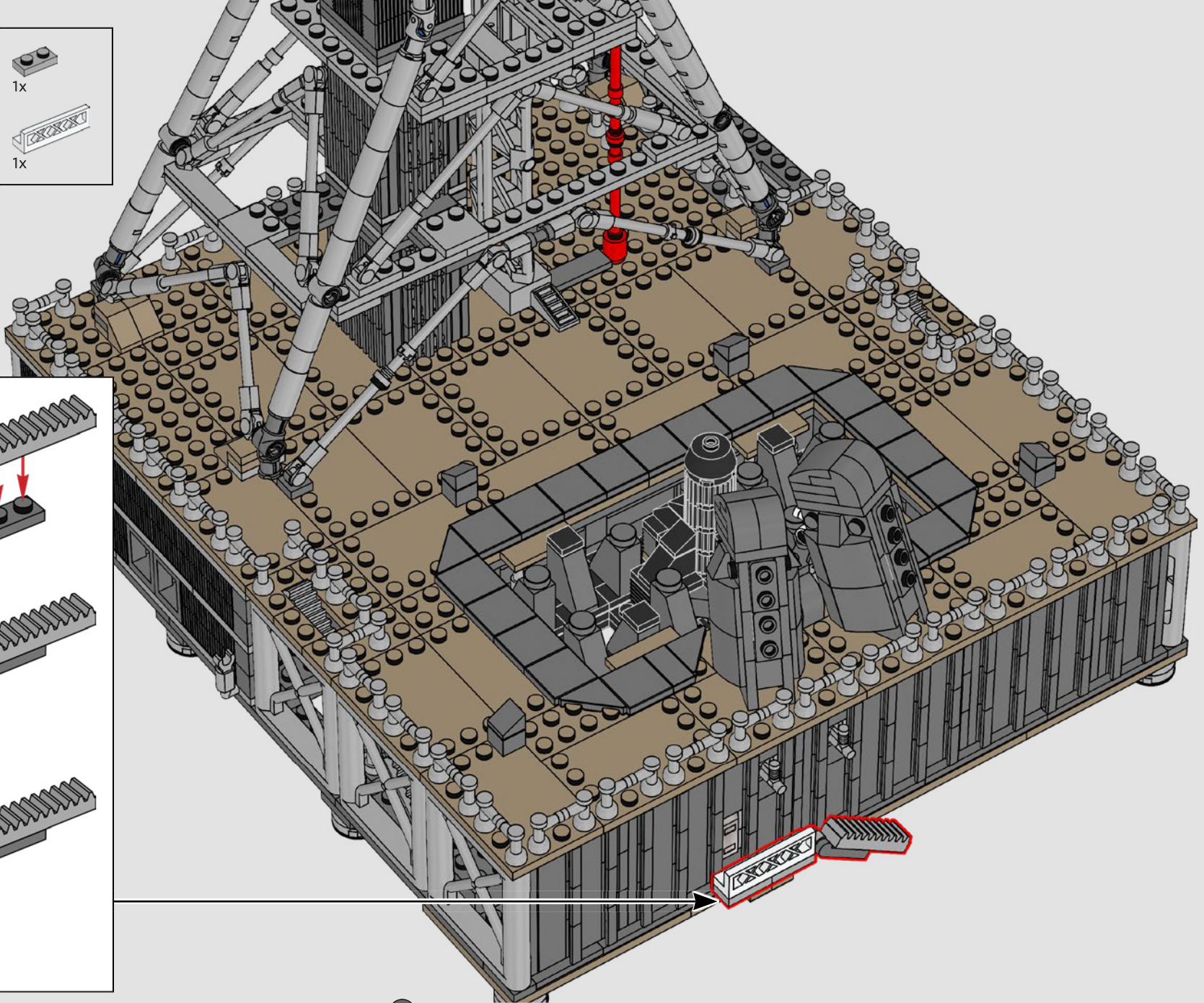
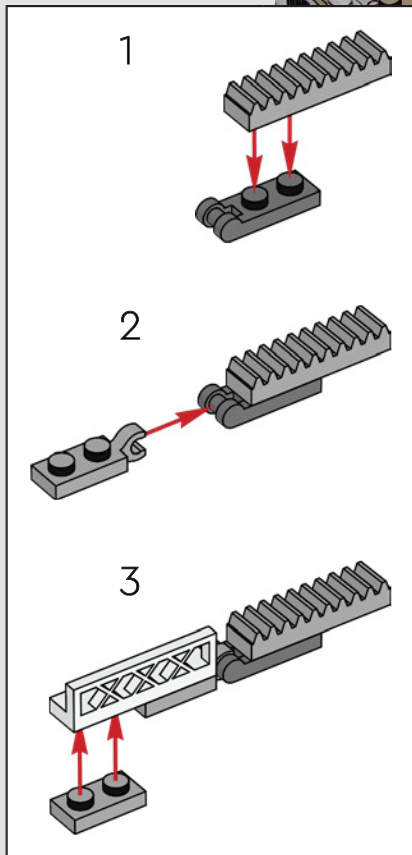
7

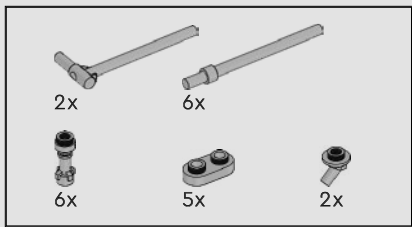




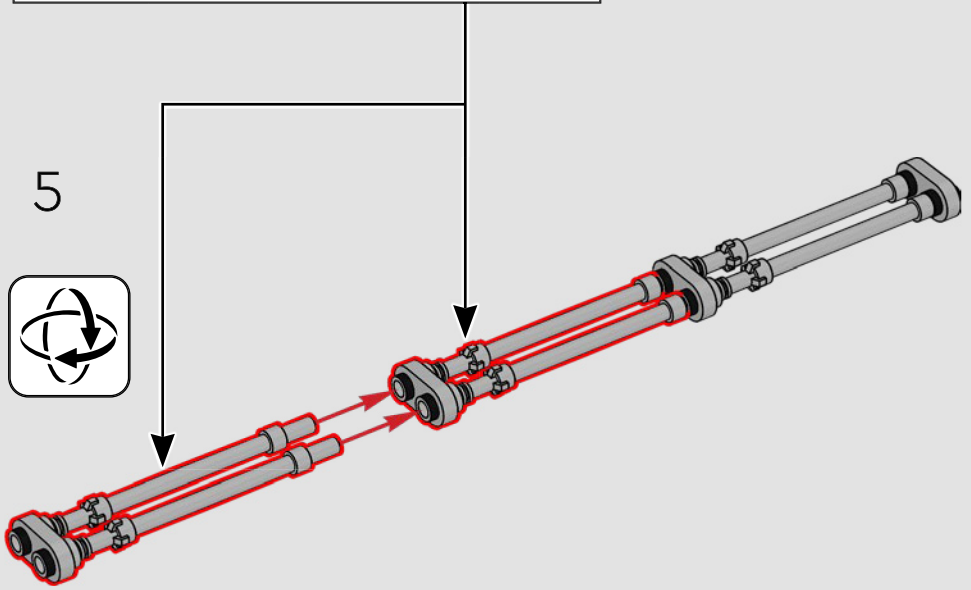
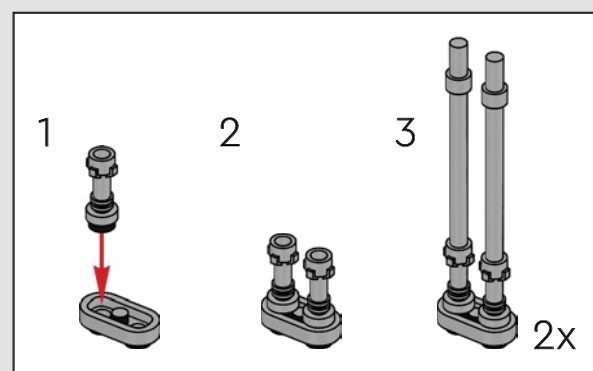
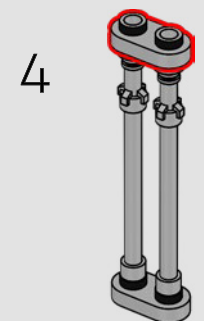
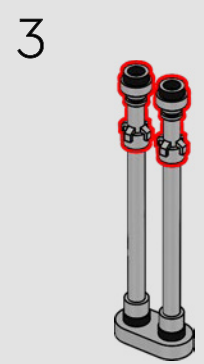
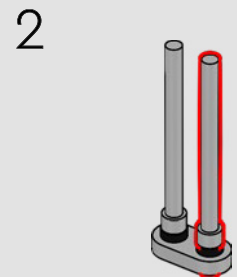
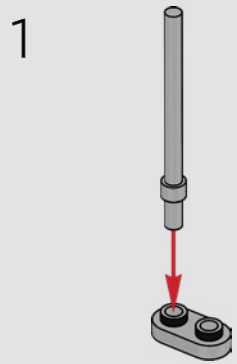


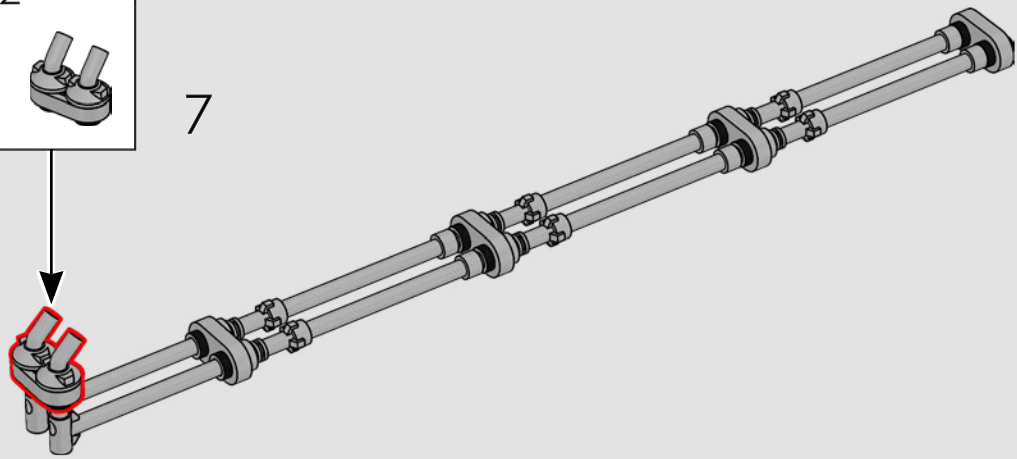
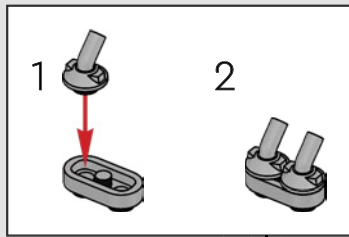
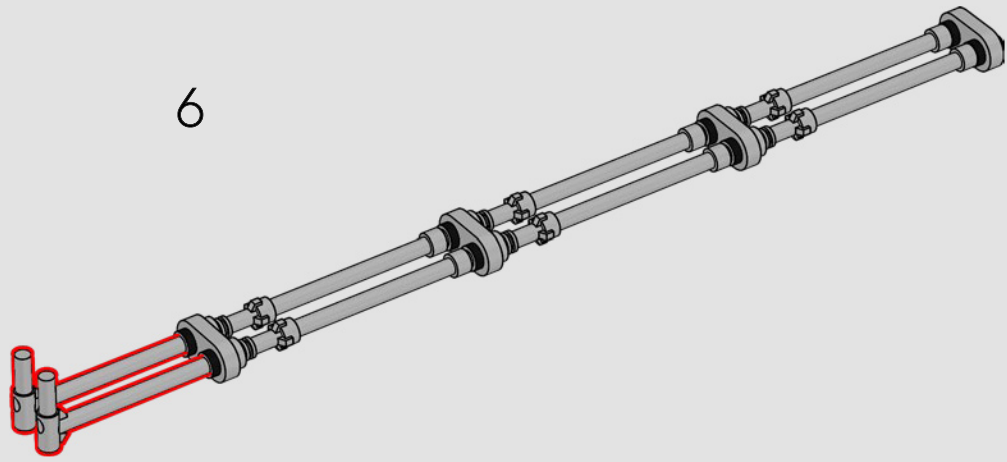
428

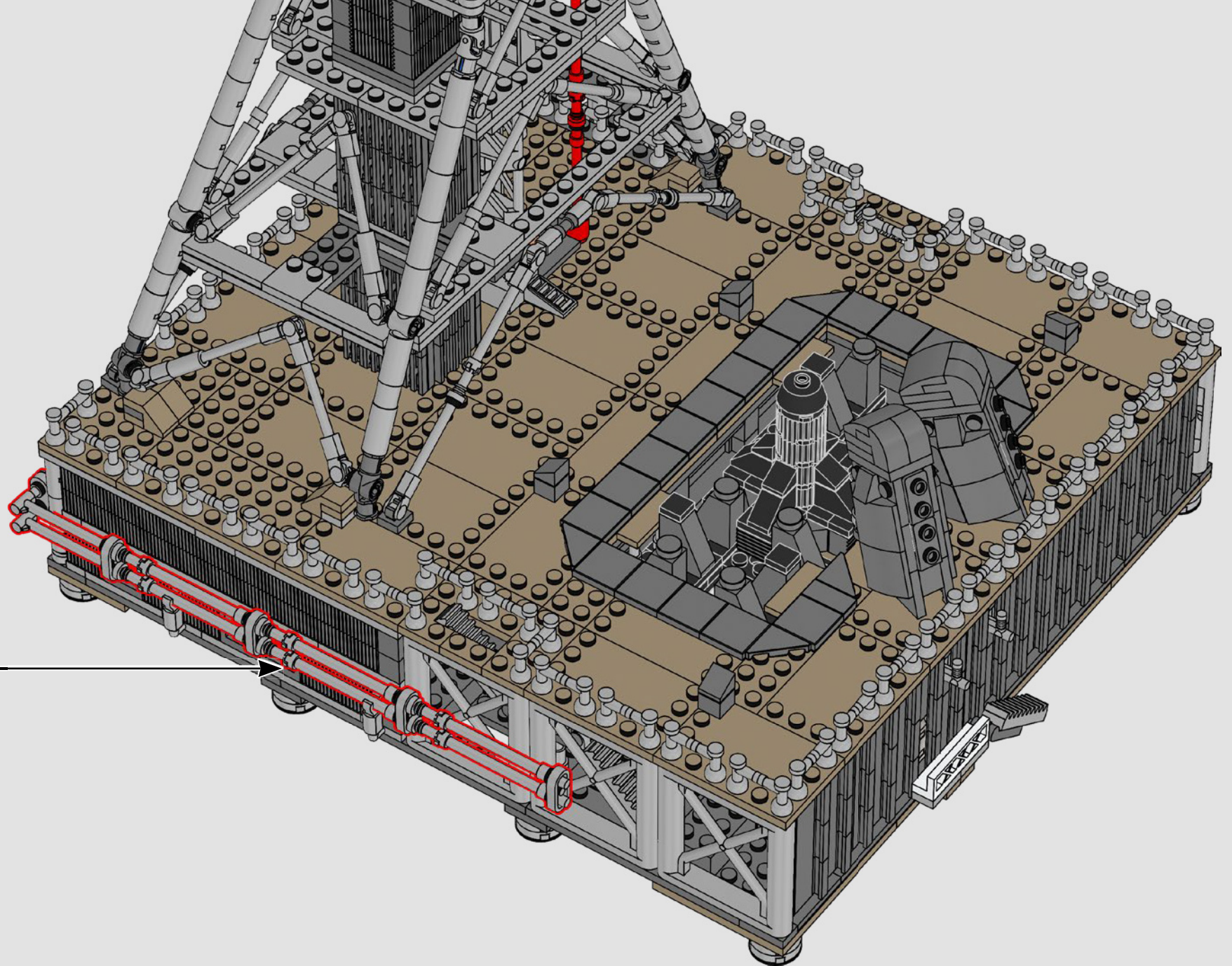




429

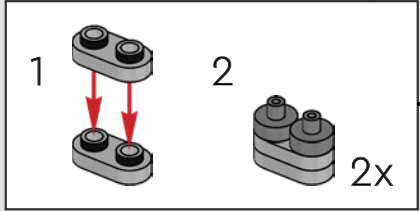
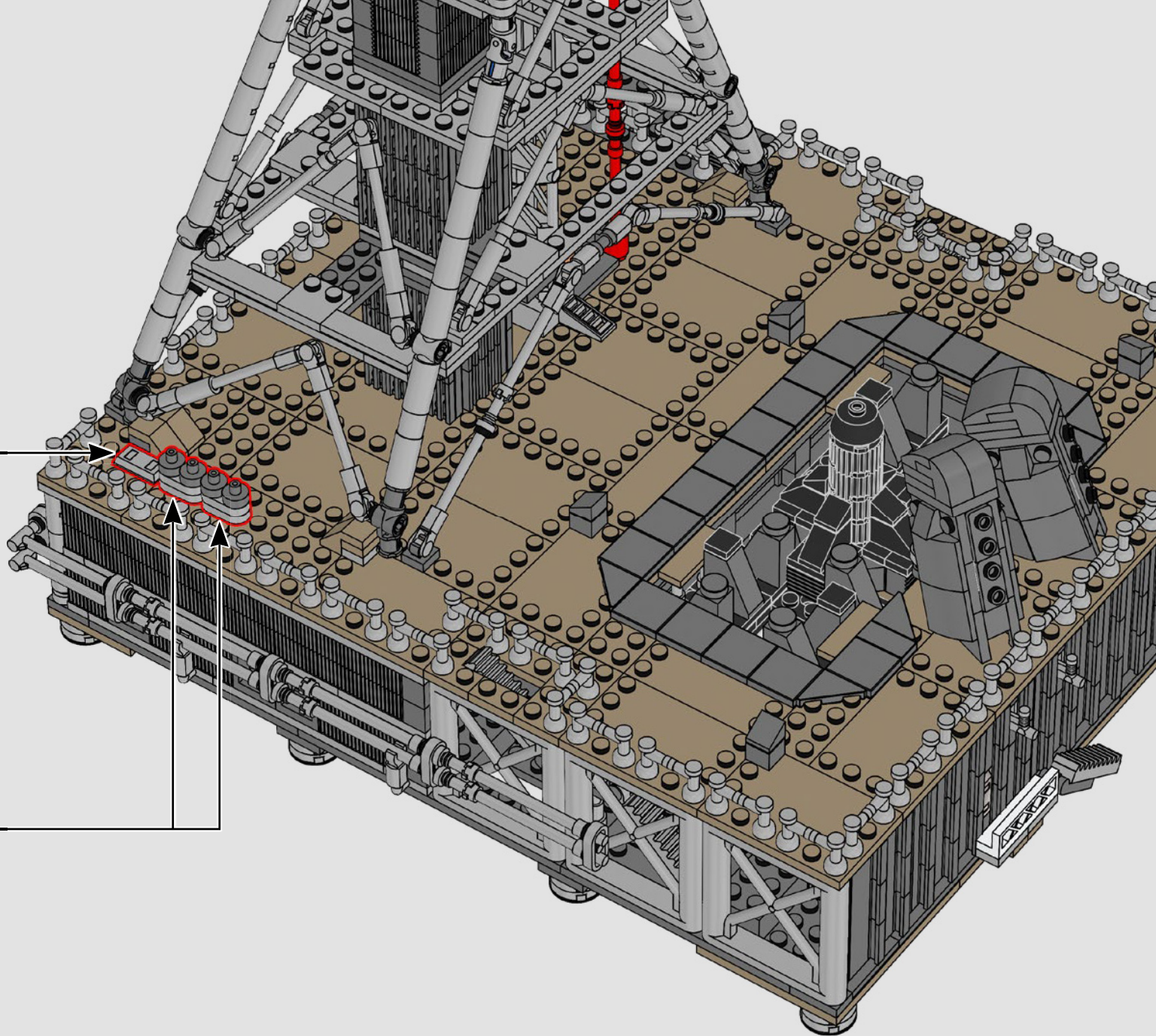
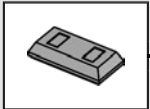


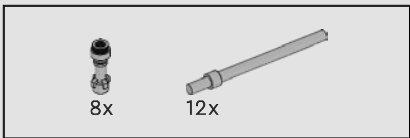




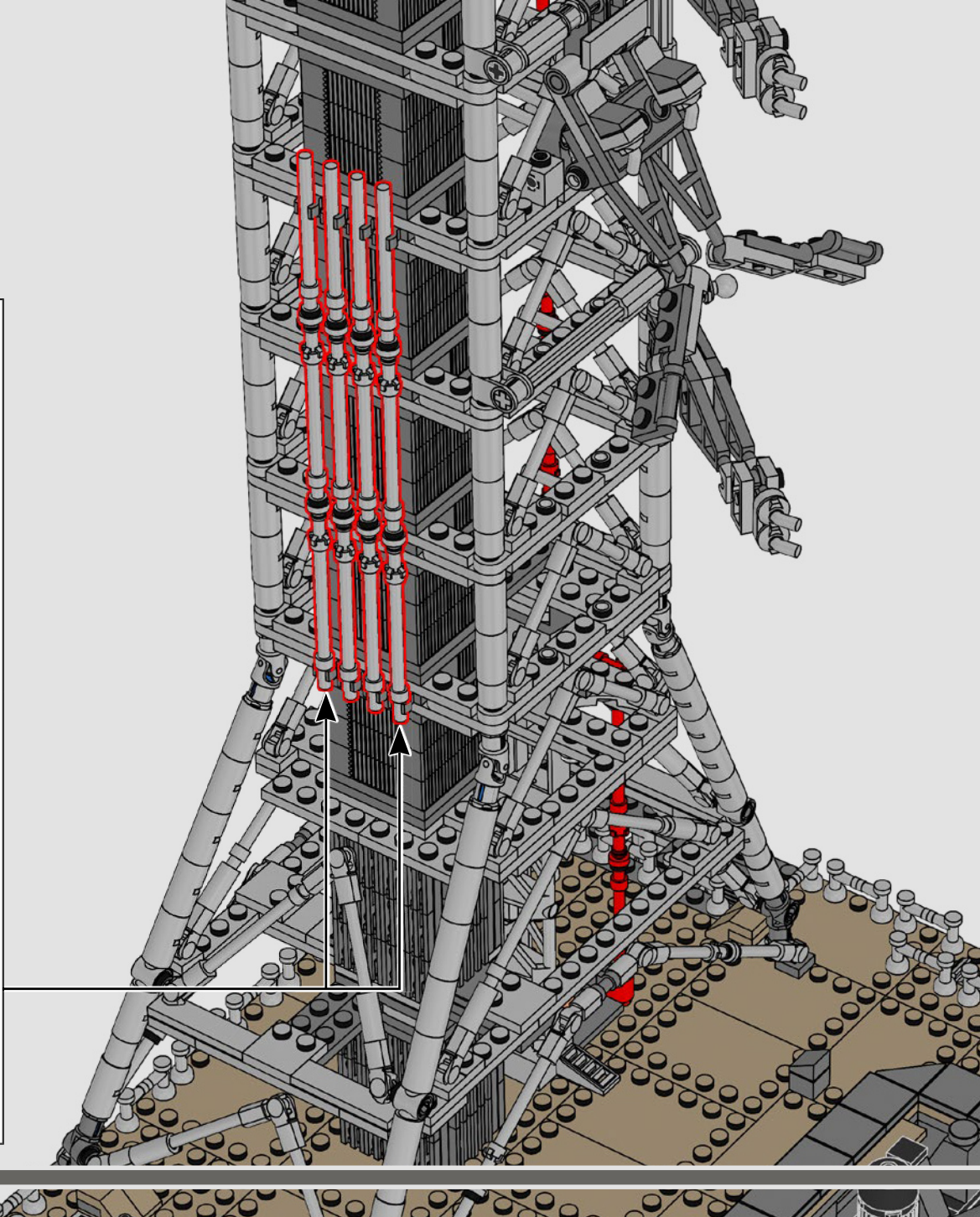
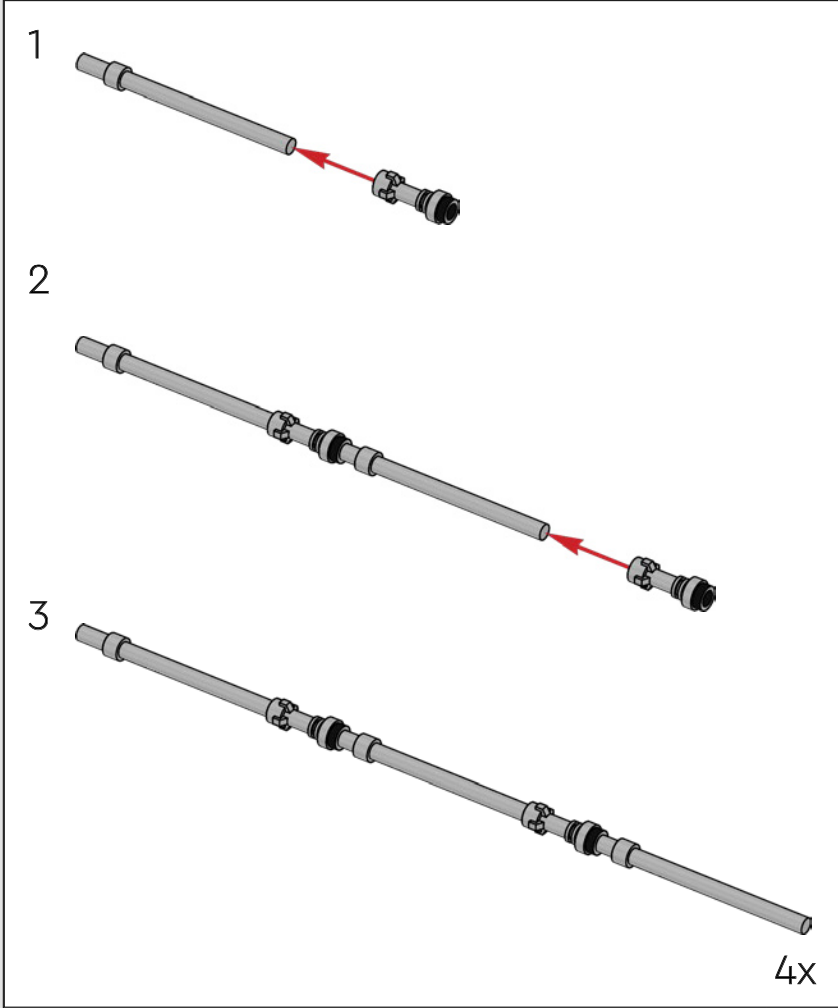


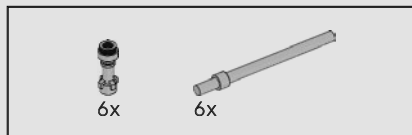
430



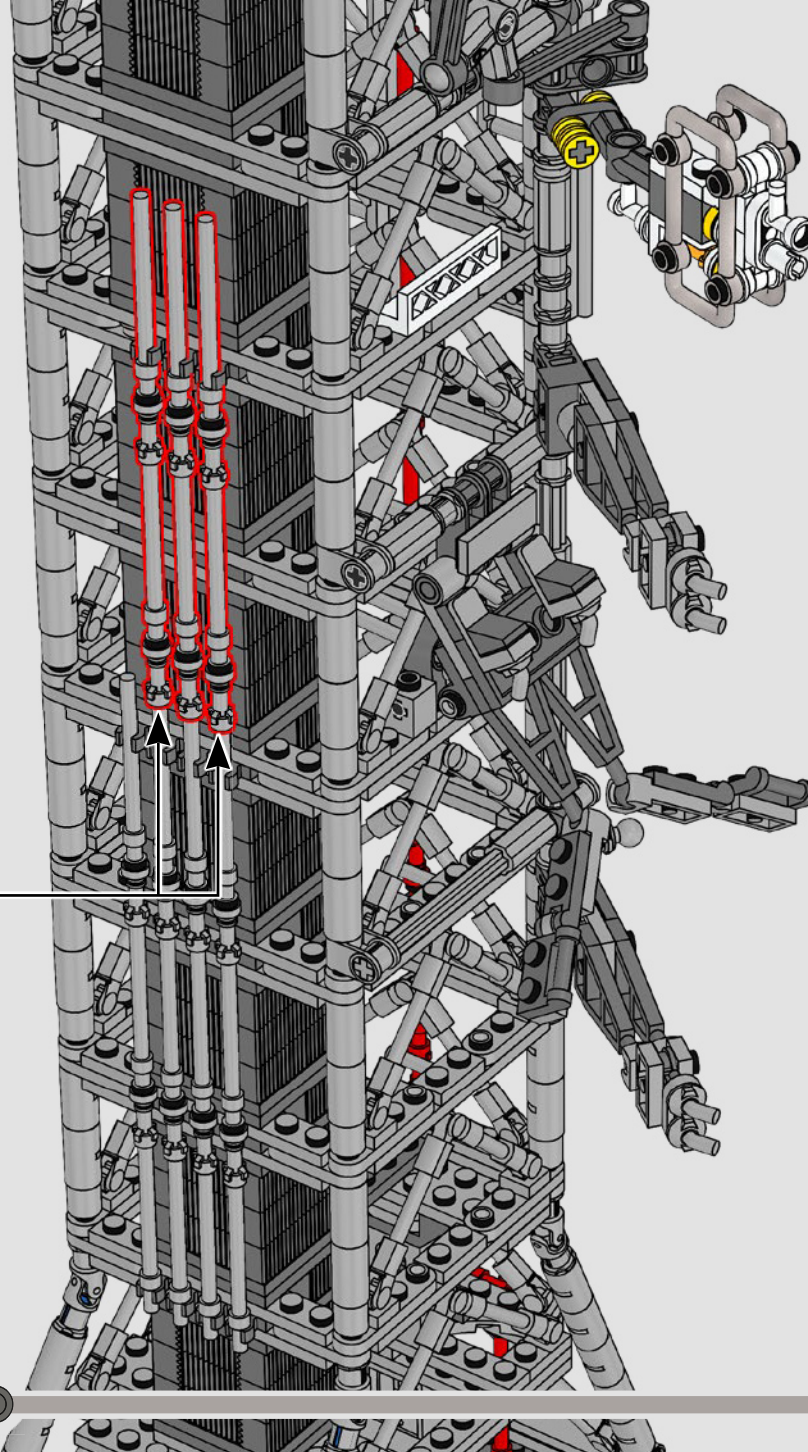
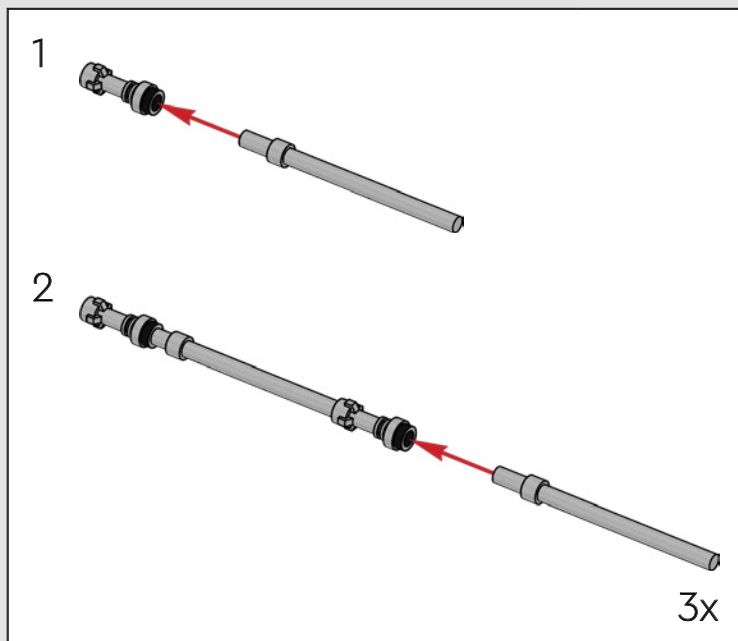


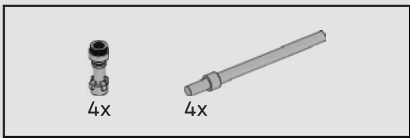
431



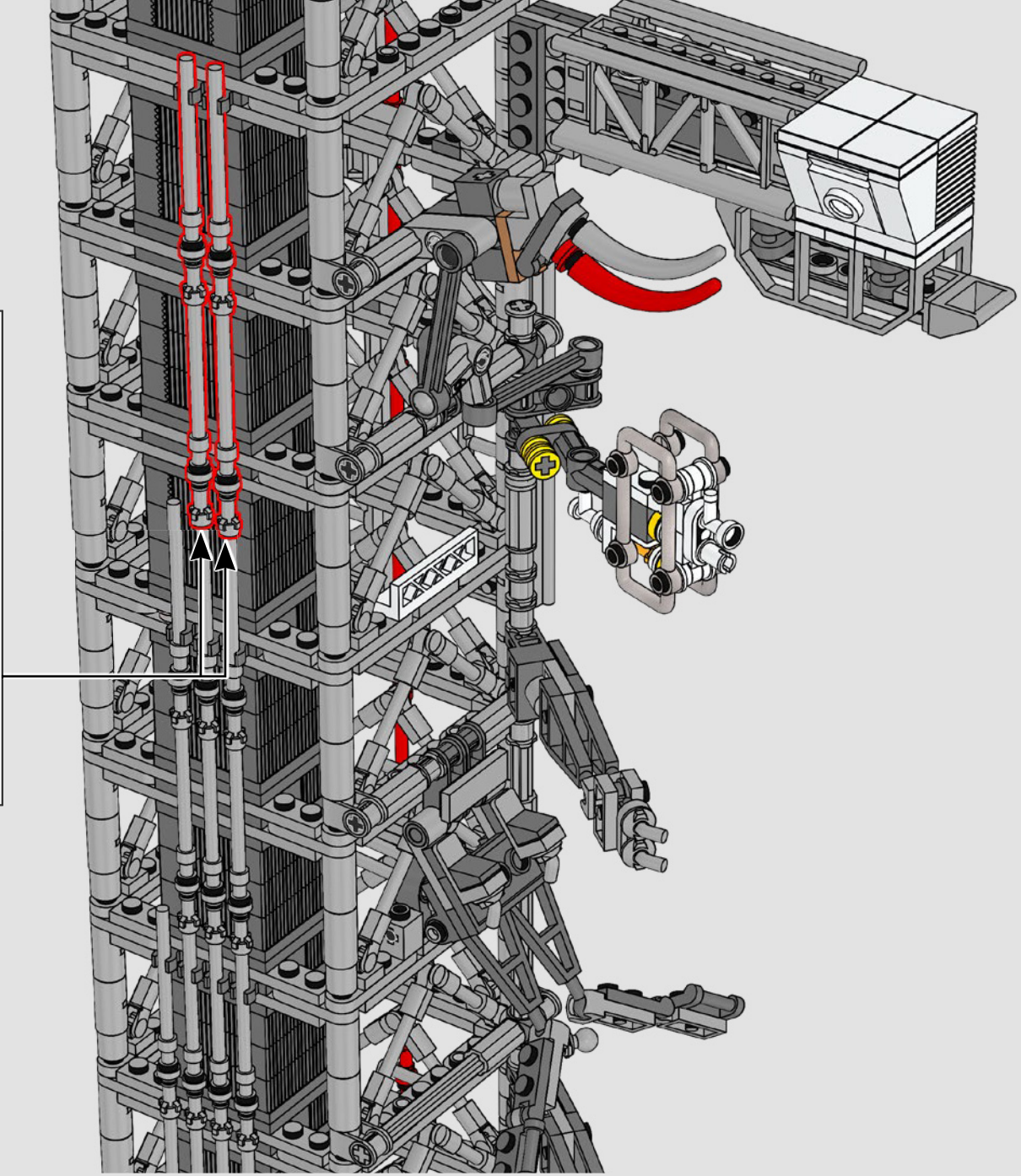
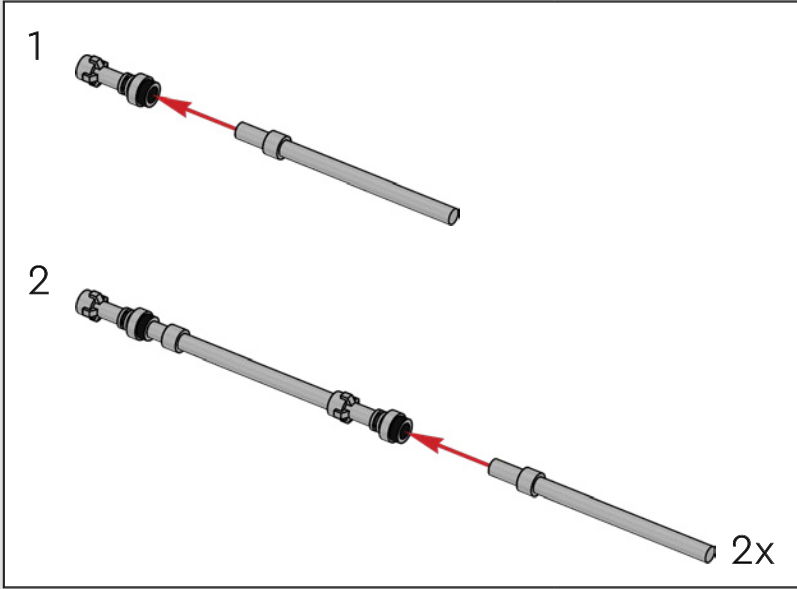


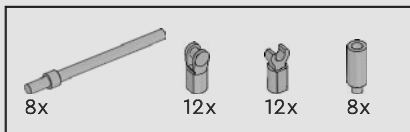
432





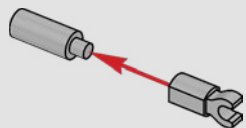
433



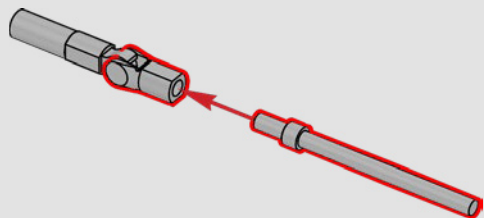


434

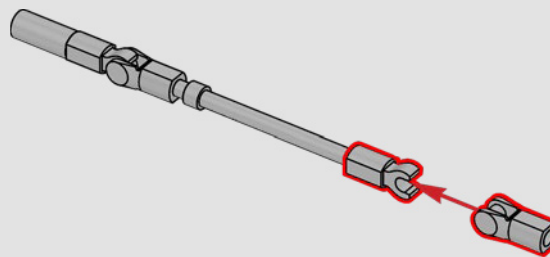
1



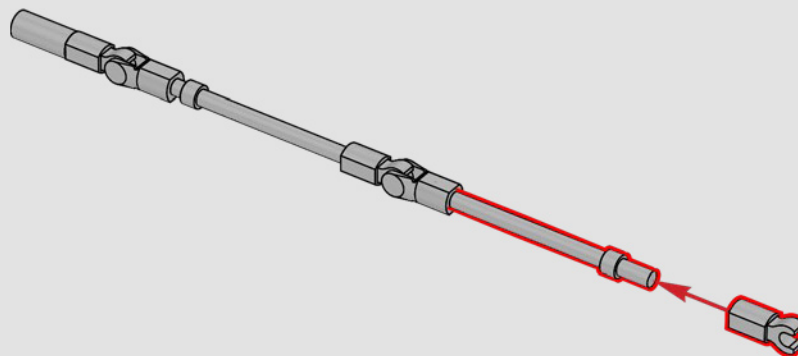
2



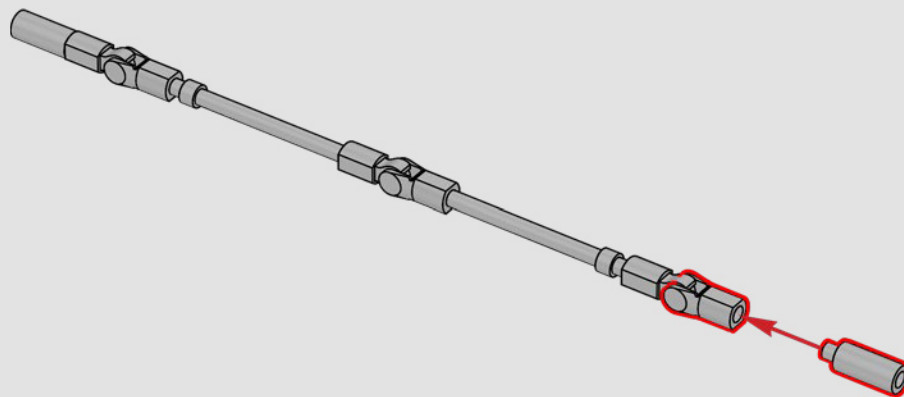
3



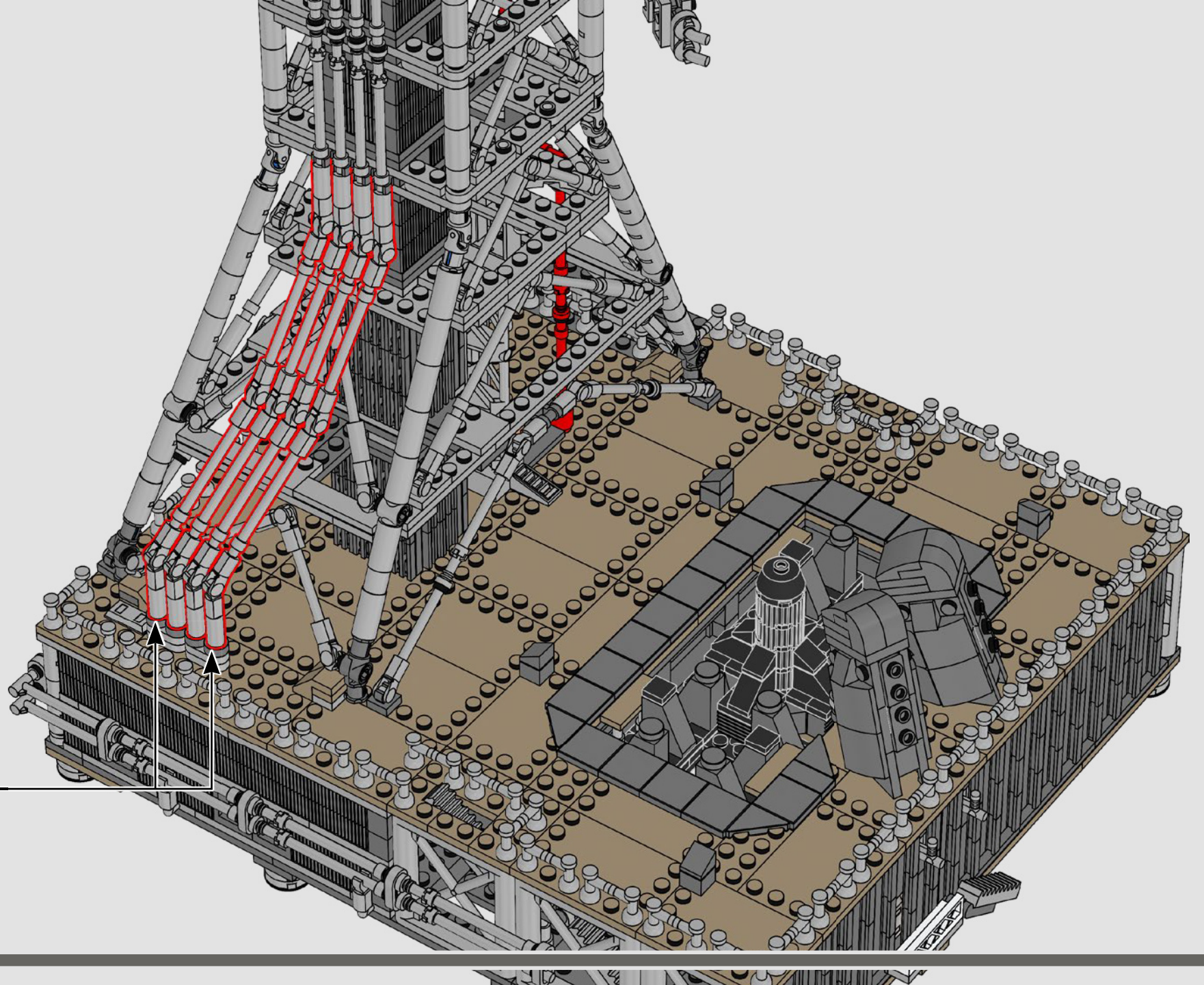
4

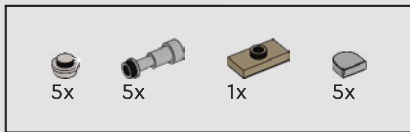


5

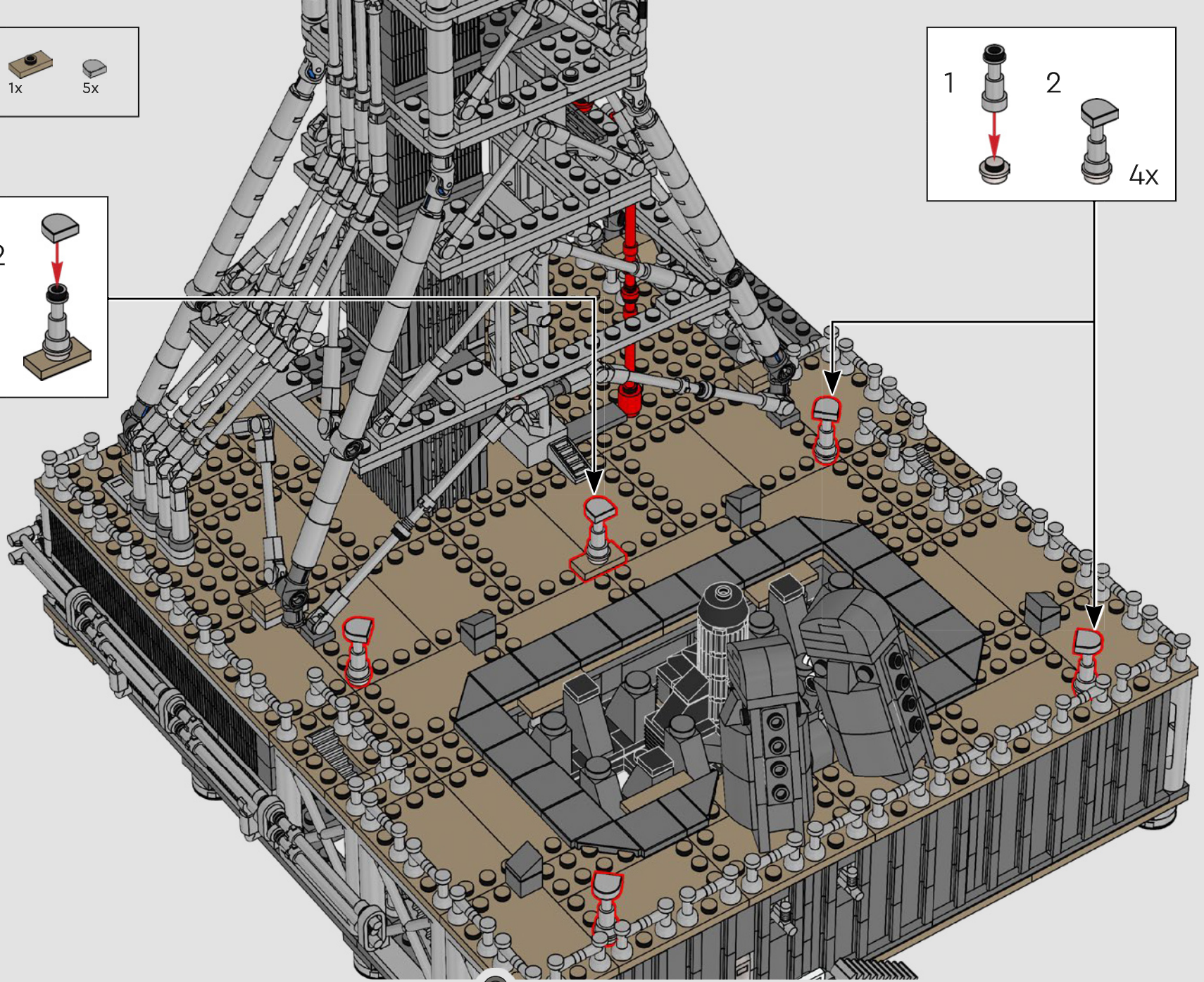
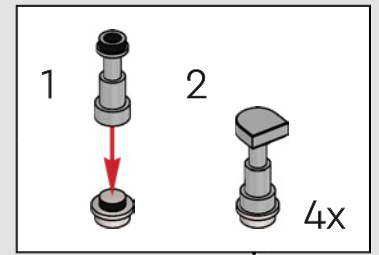
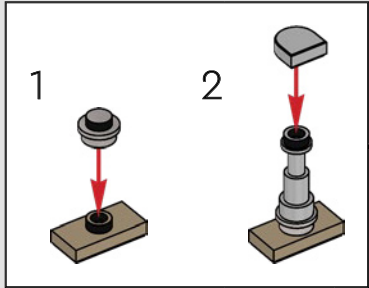


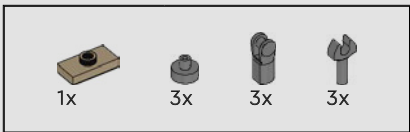
4x



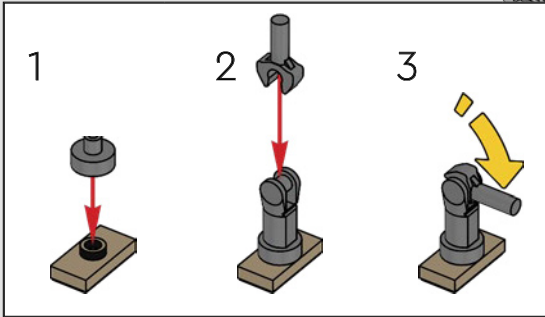
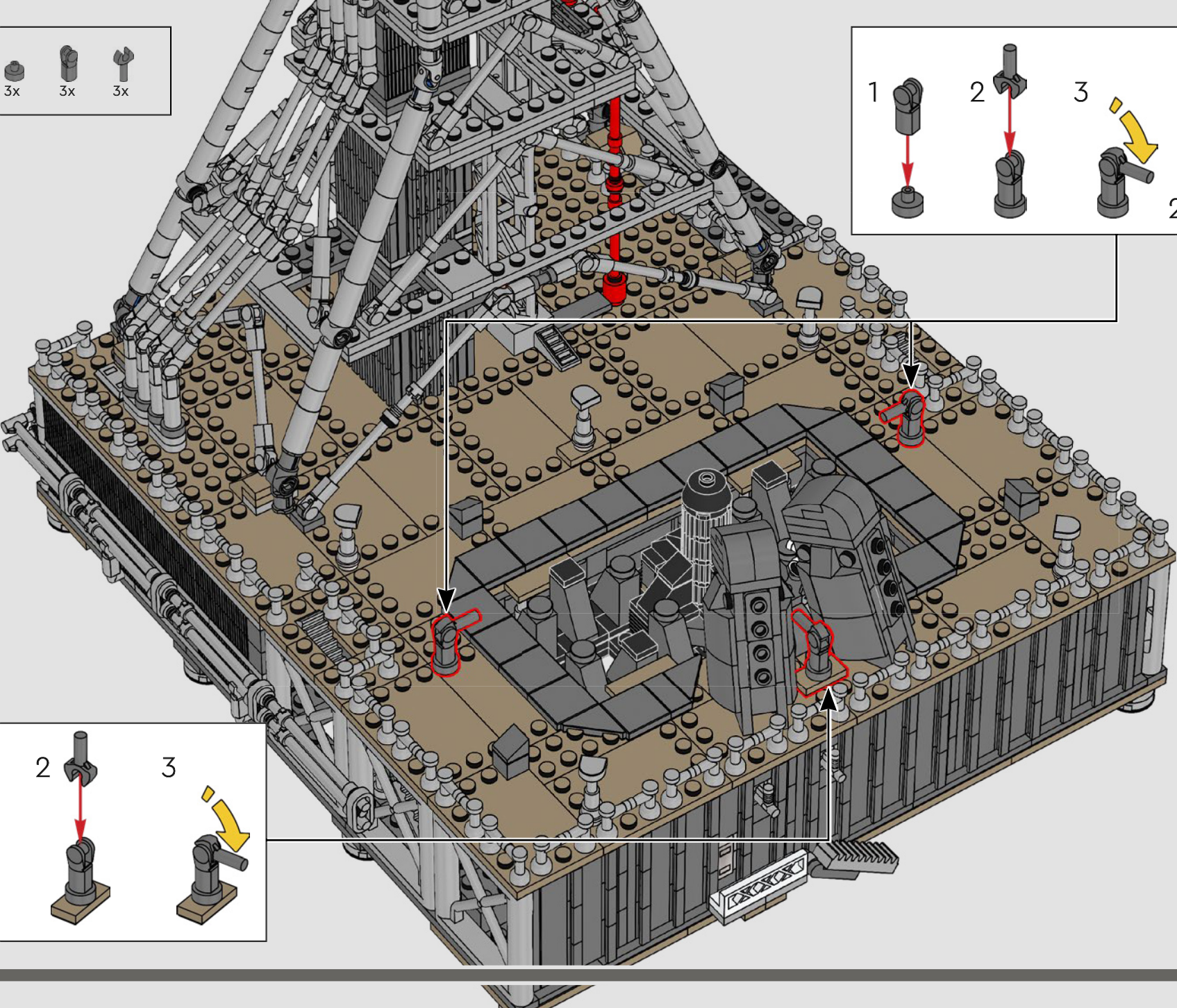
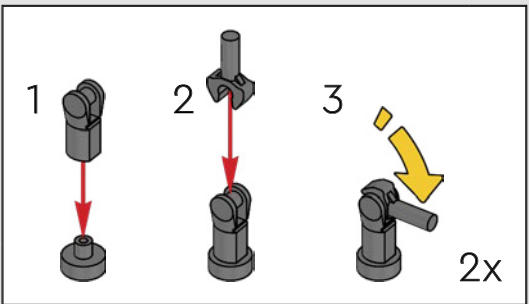


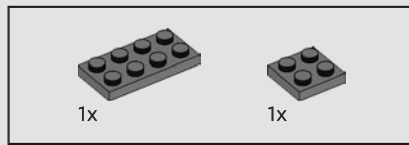
435



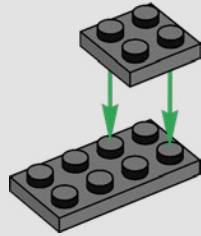


436

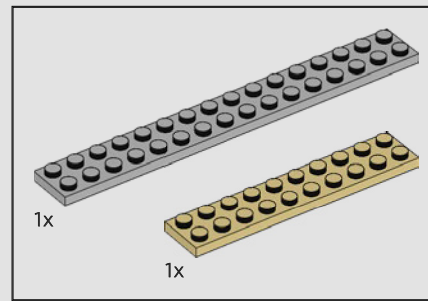
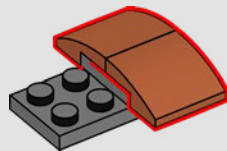




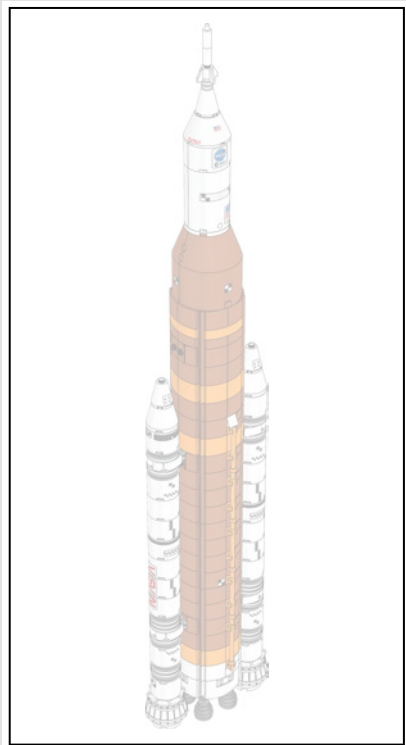
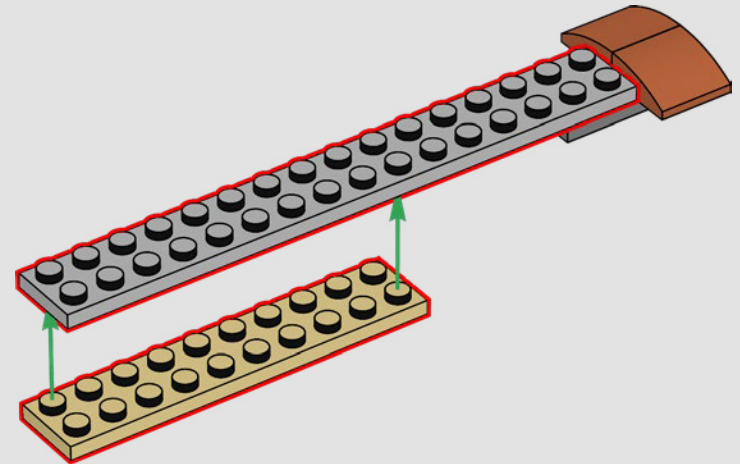
437

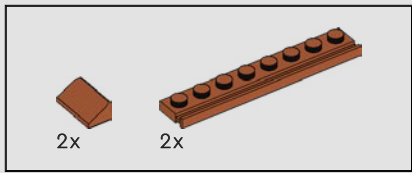


438

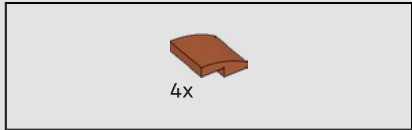
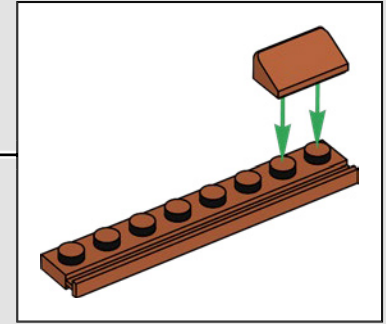
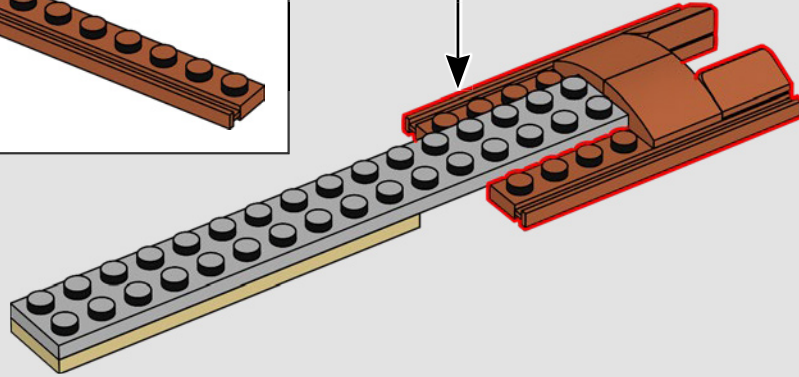
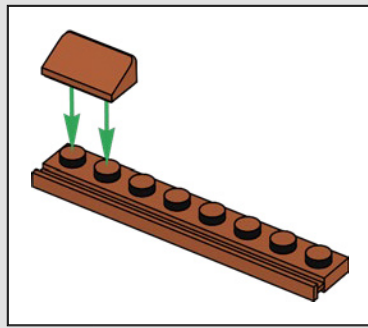


439

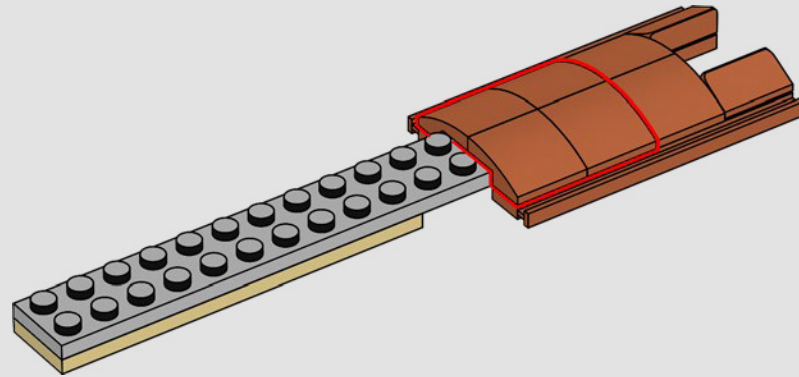


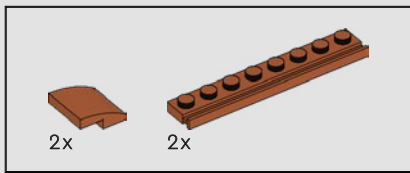


440

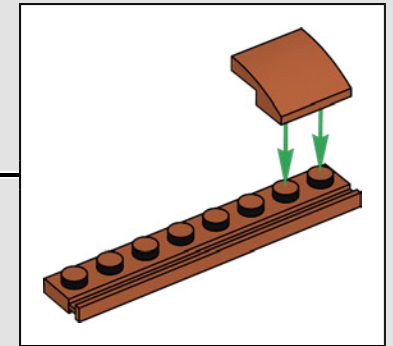
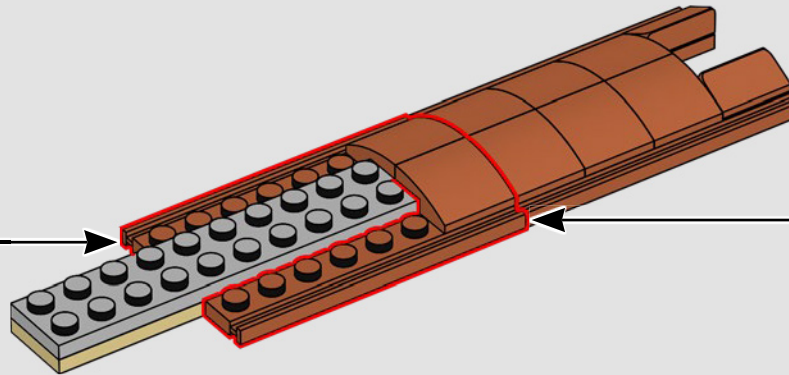
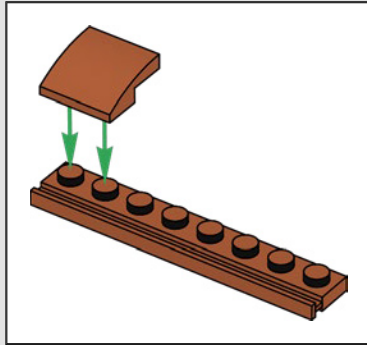


441

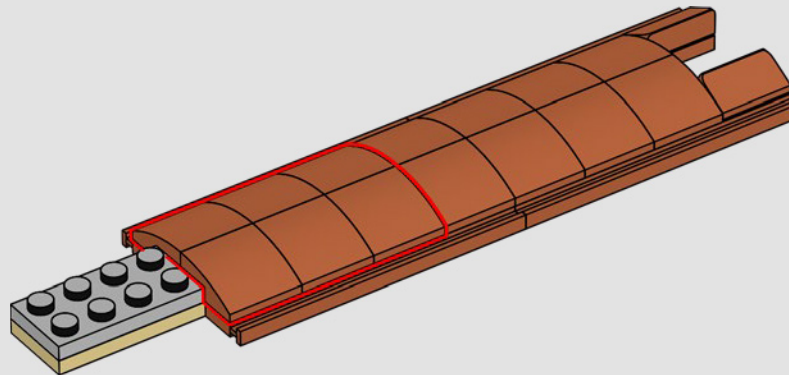


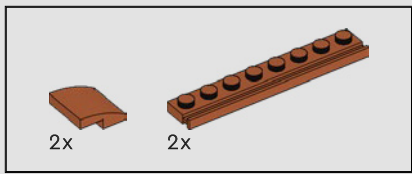


442

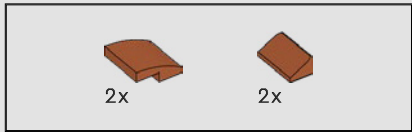
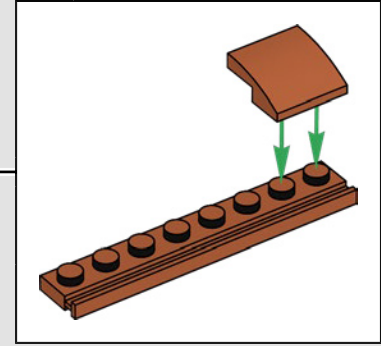
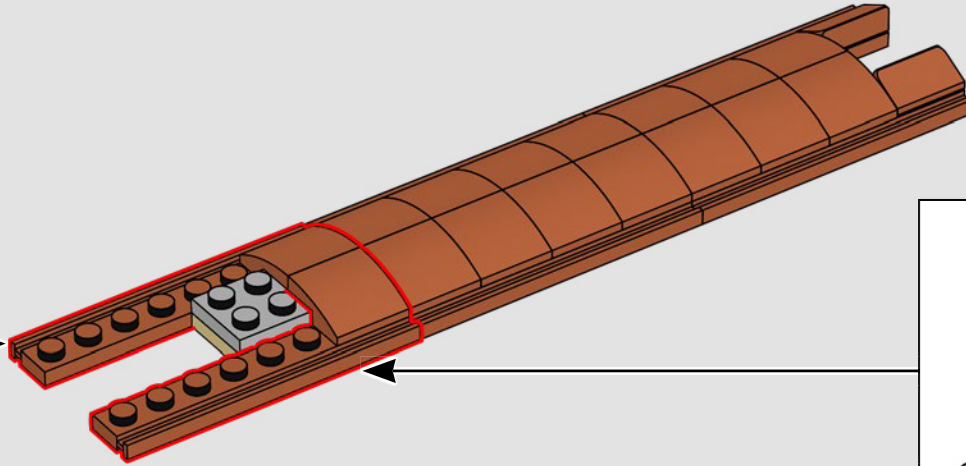
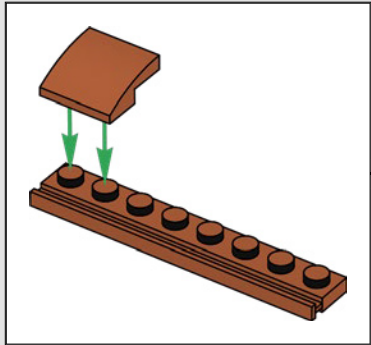


443

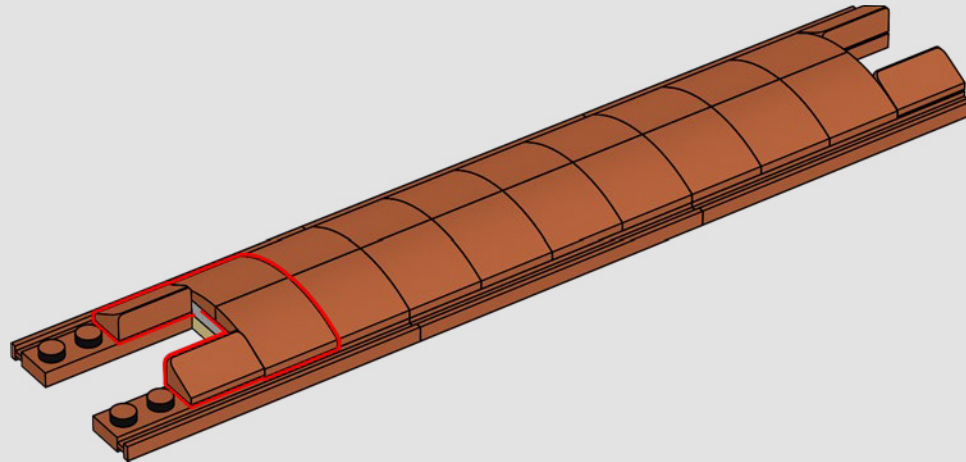


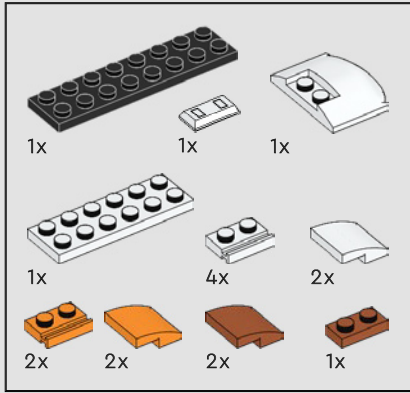
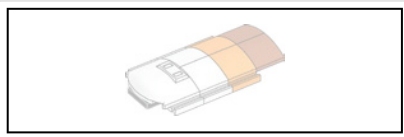


444



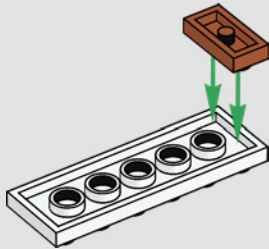
445



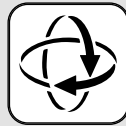
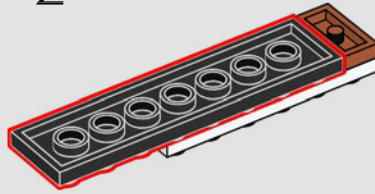


446

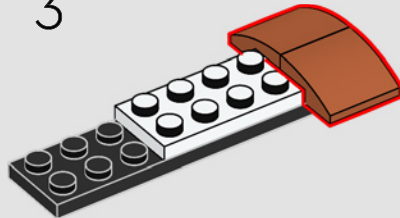
1



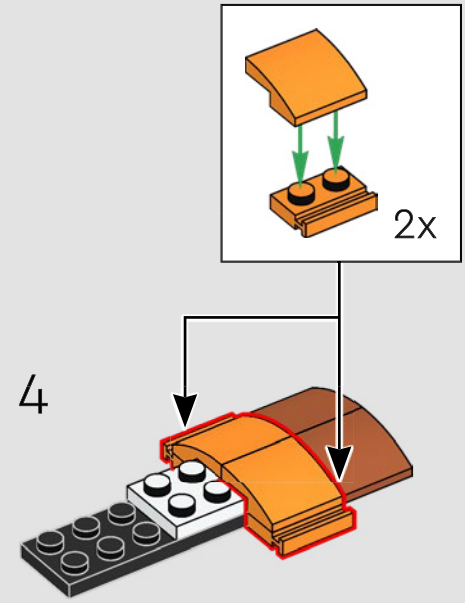
2



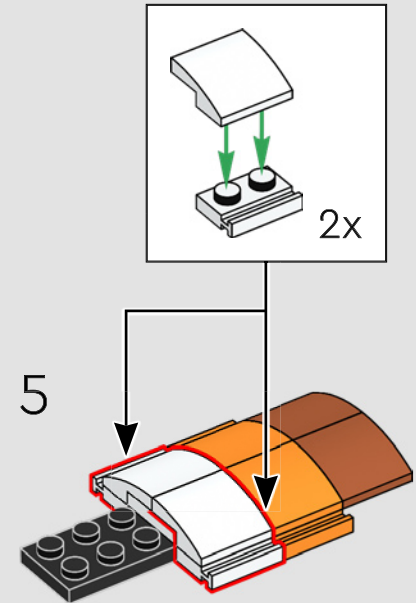
3



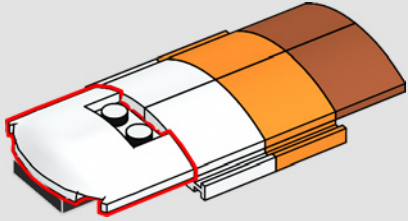
4



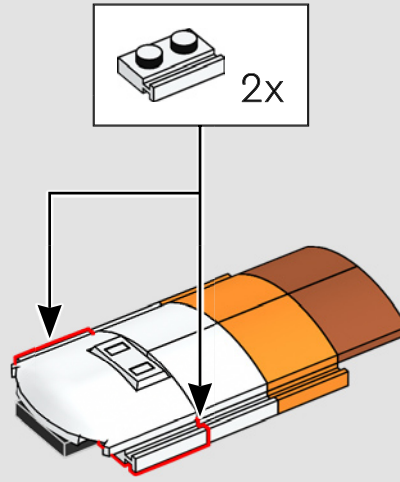
5



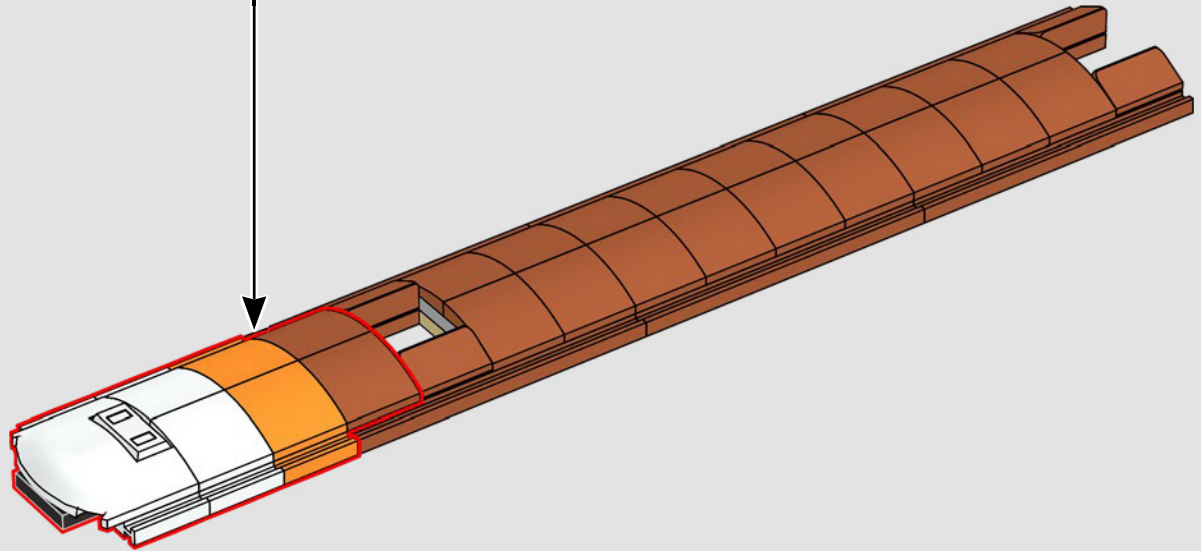
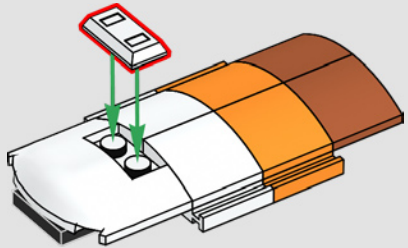
6

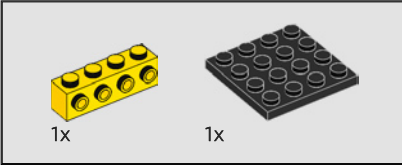
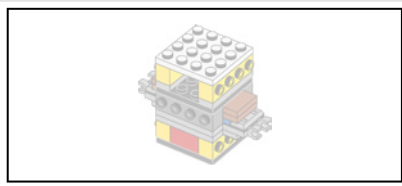


8

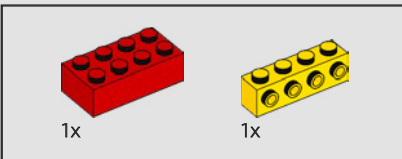
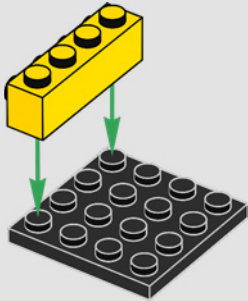


7

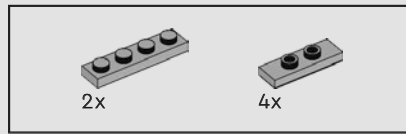
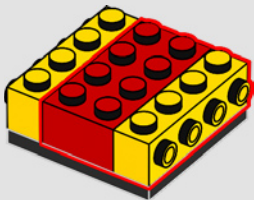




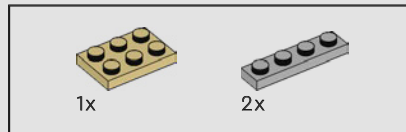
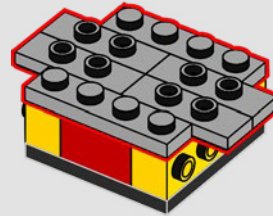
447



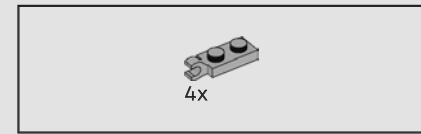
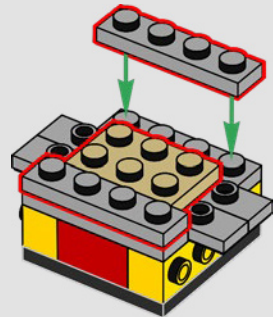
448



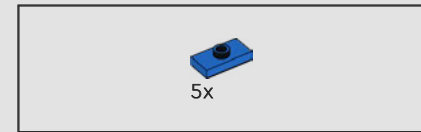
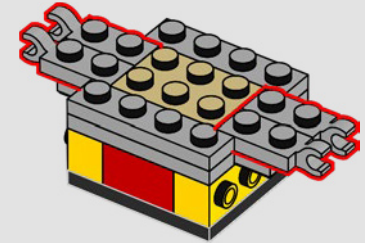
449



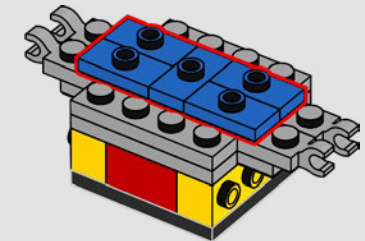
450

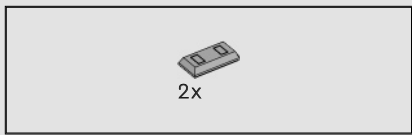


451

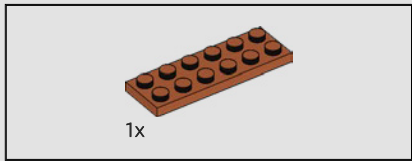
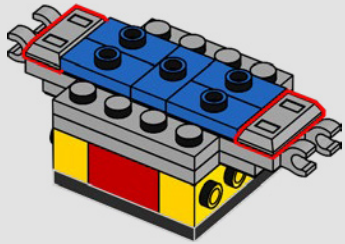


452

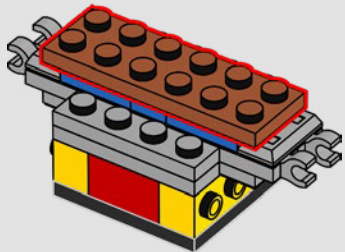




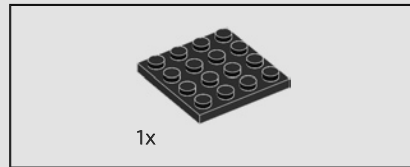
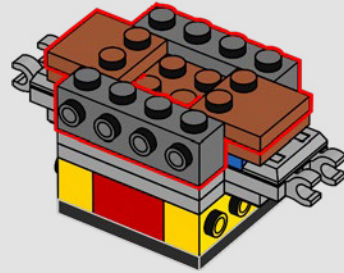
453



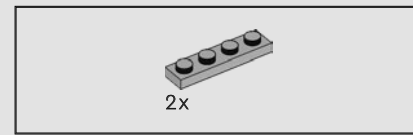
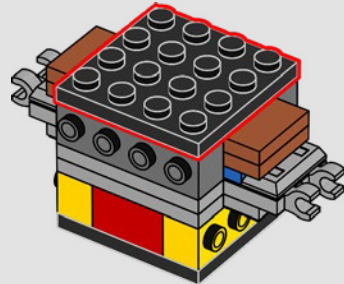
454



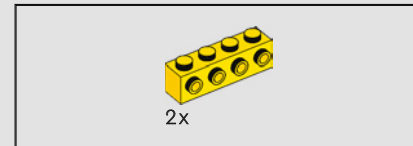
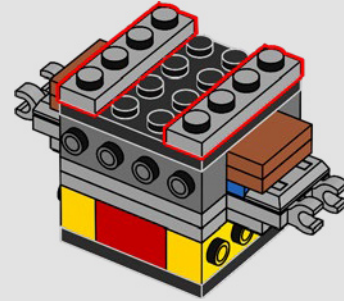
455



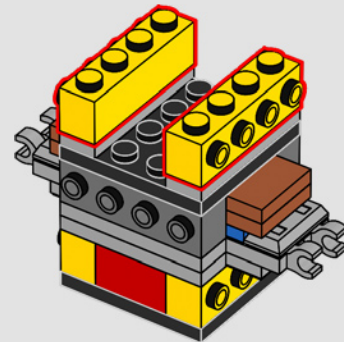
456

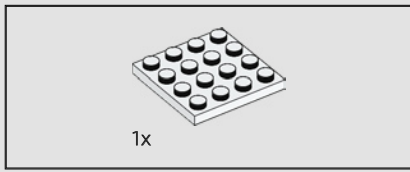


457

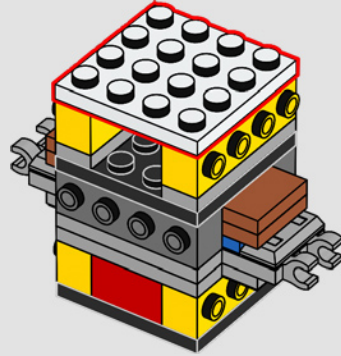


458

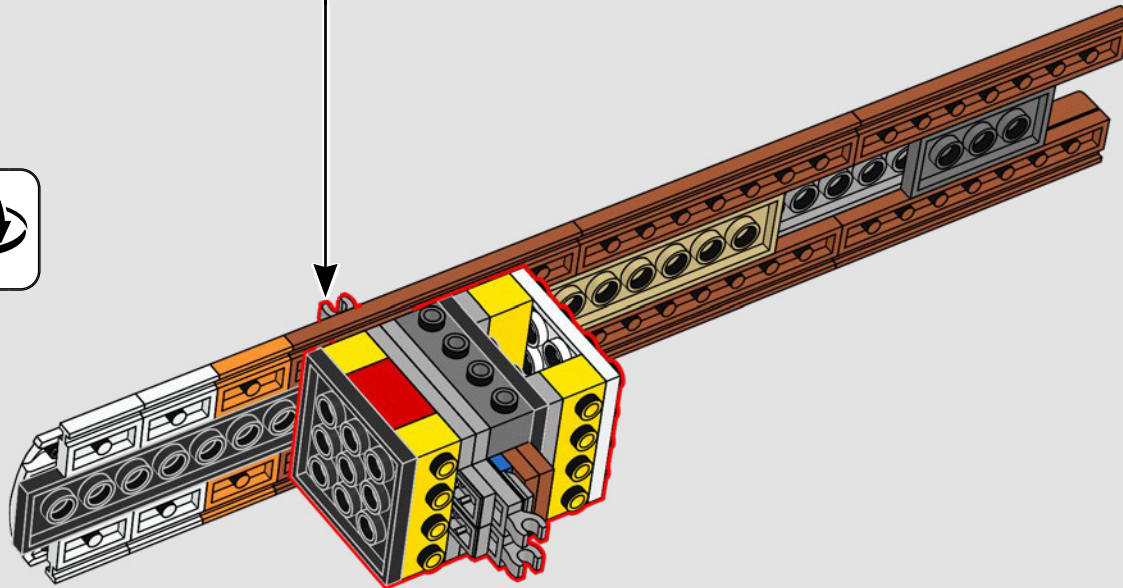


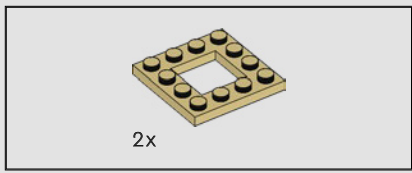


459

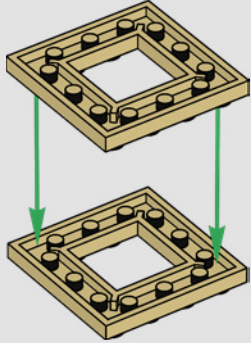


460

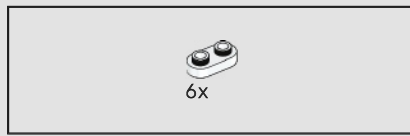
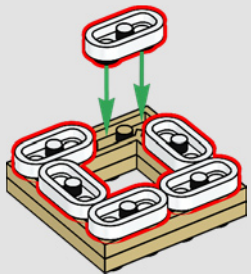




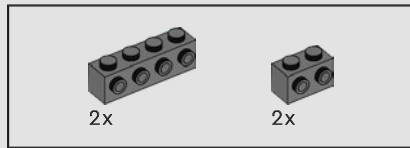
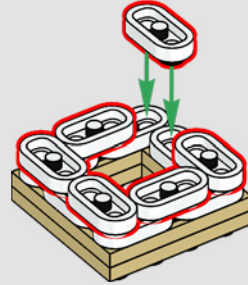
461



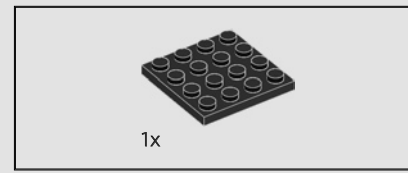
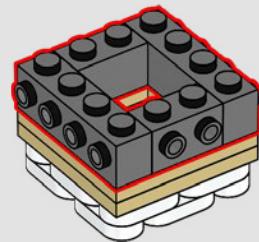
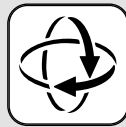
462



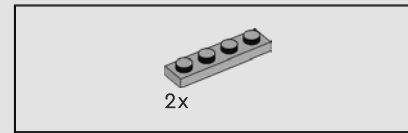
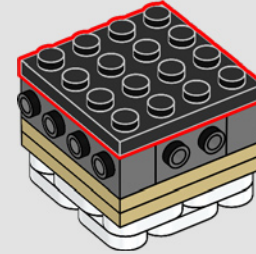
463



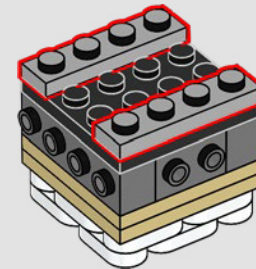
464

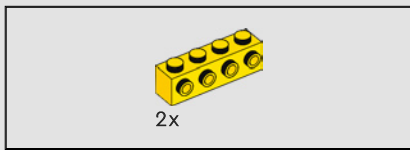


465

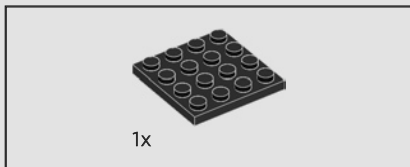
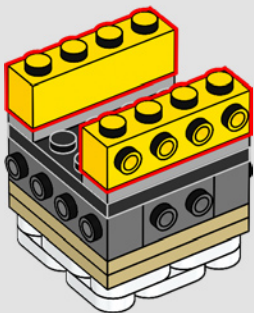


466

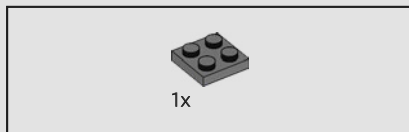
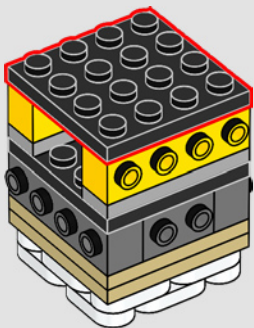




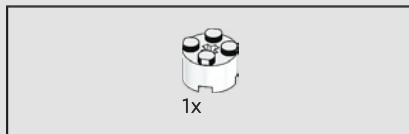
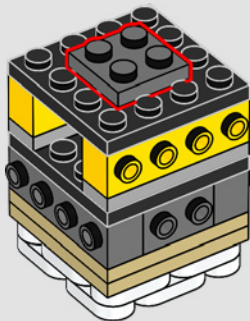
467



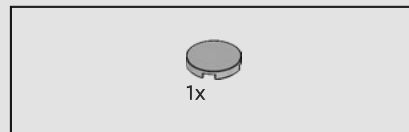
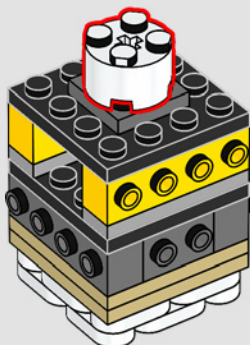
468



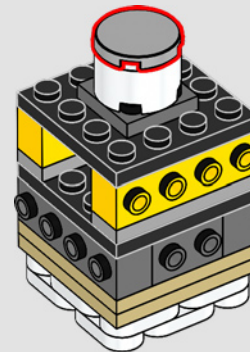
469



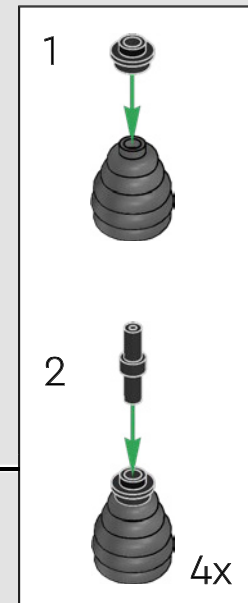
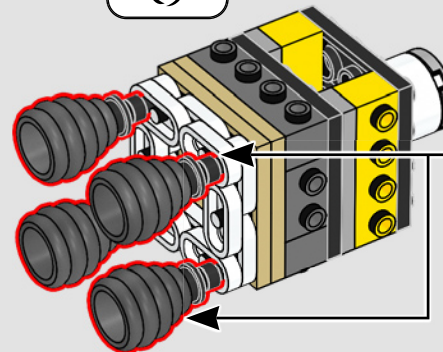
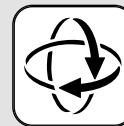
470



471

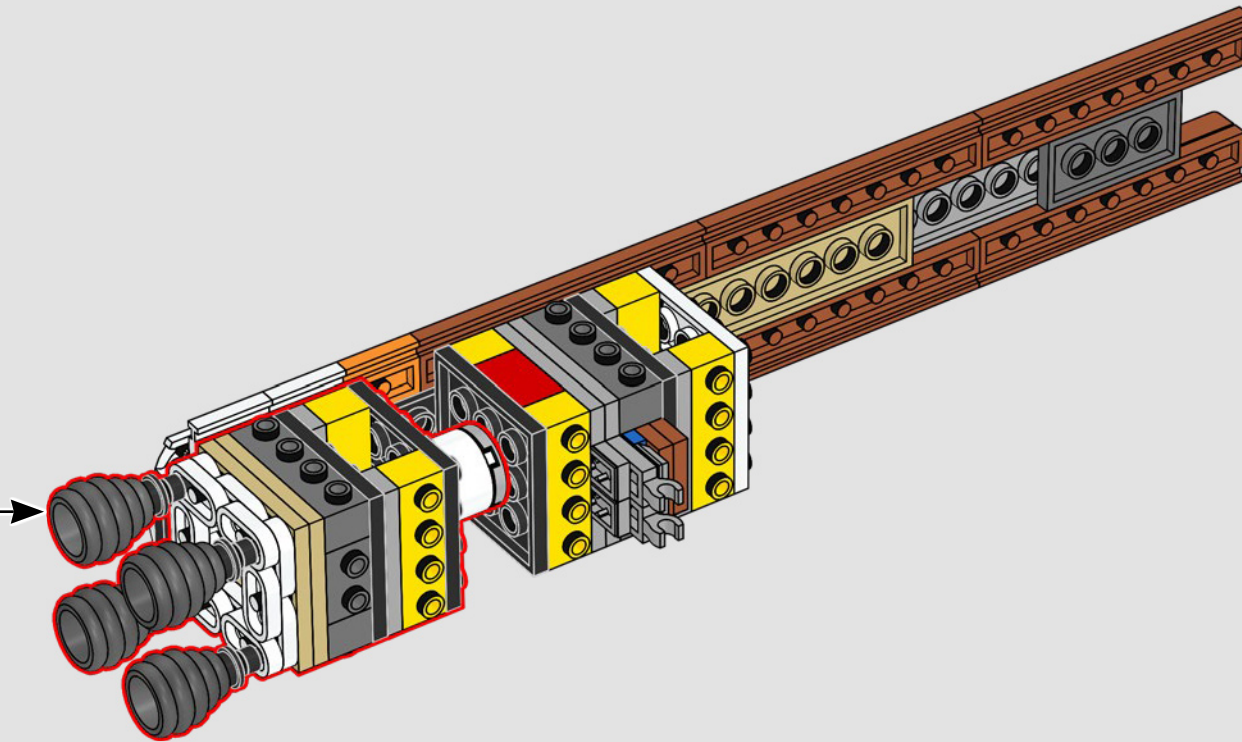


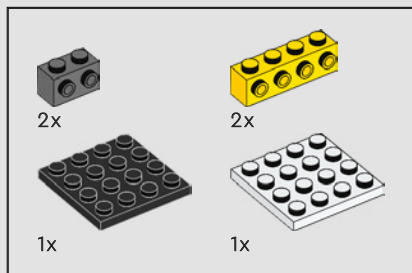
472



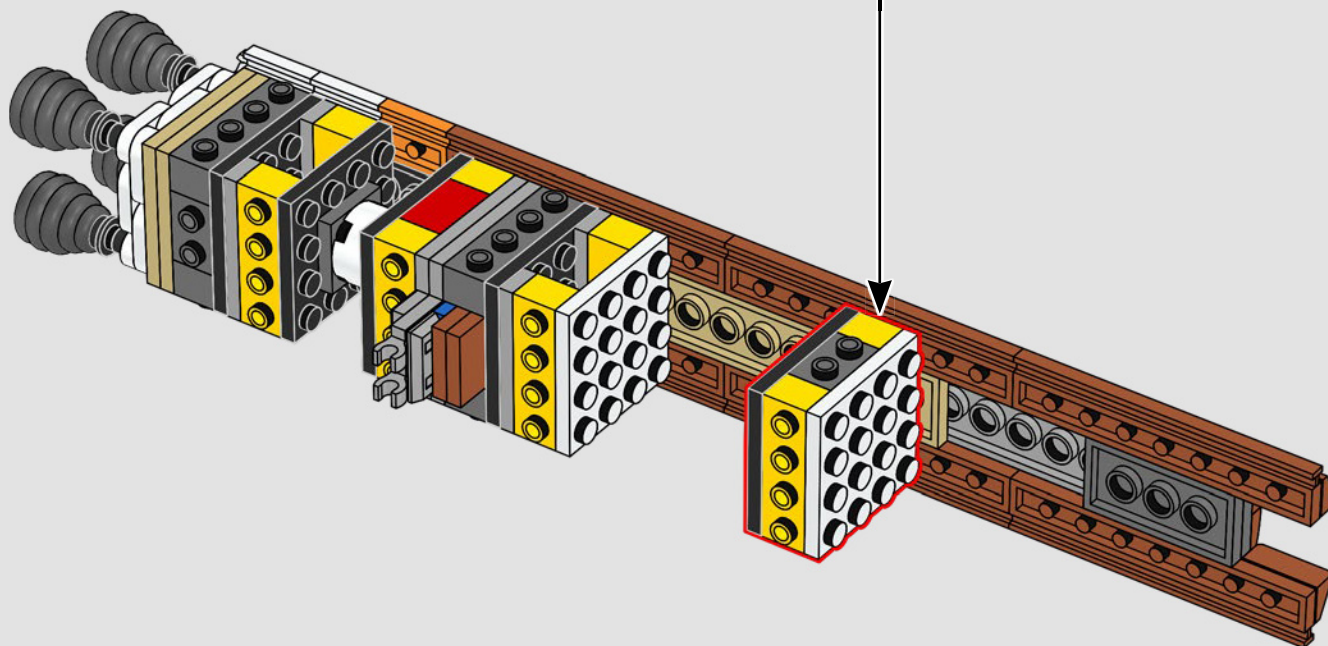
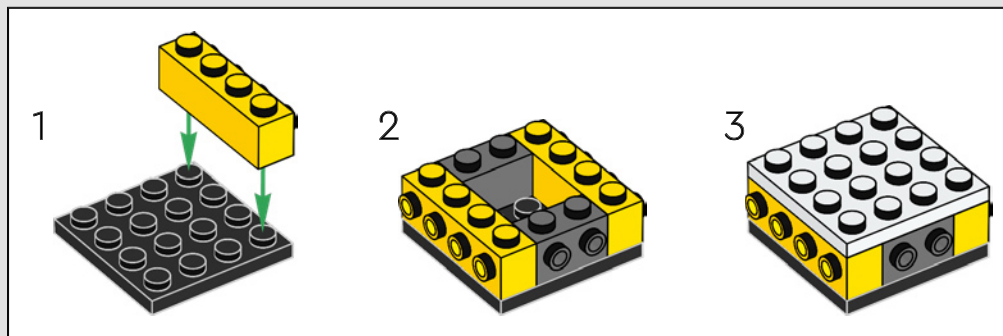
The LEGO® element used for the main engine nozzles was originally meant to depict a beehive but is called 'Mini hat no. 54'.

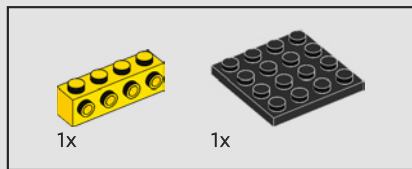
473



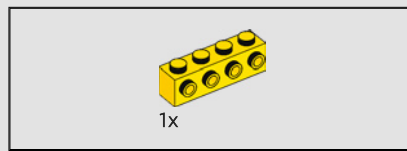
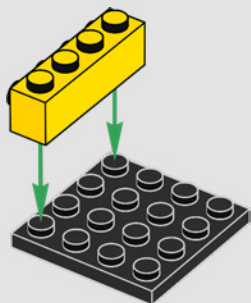


474

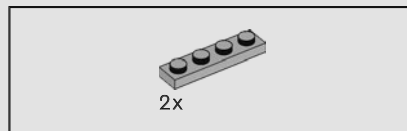
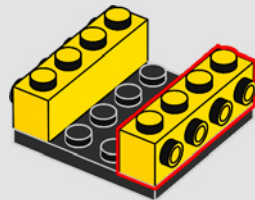




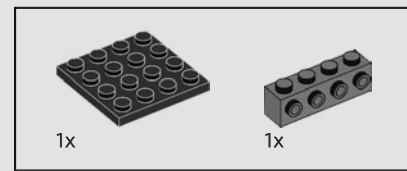
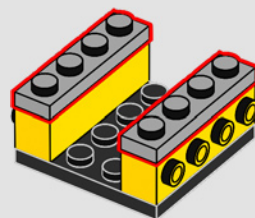
475



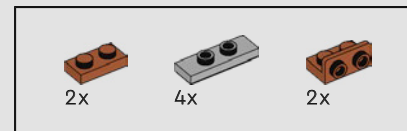
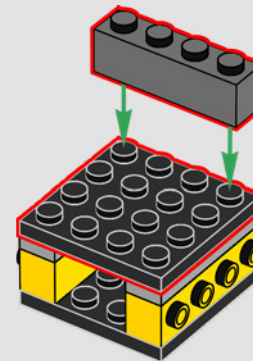
476



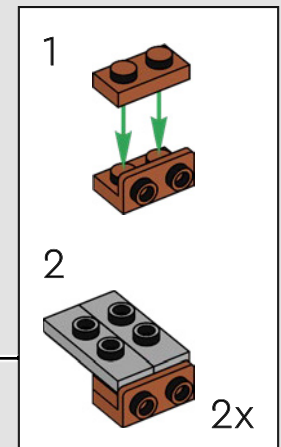
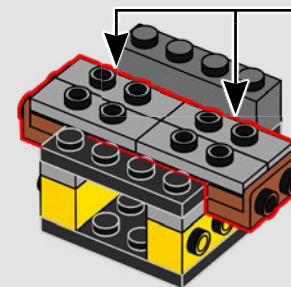
477

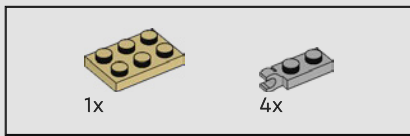


478

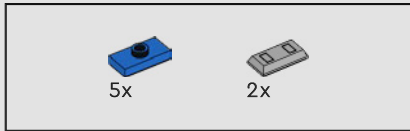
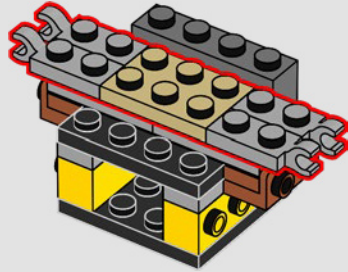


479

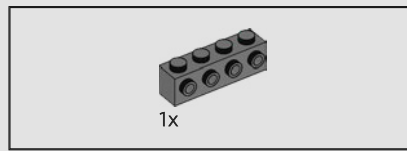
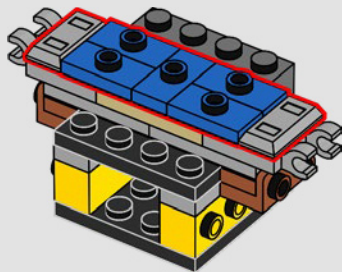




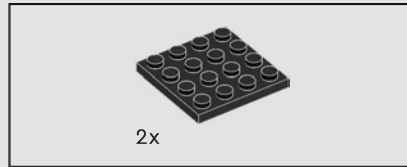
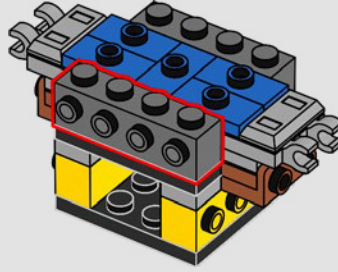
480



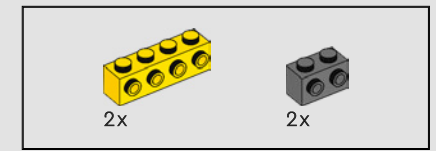
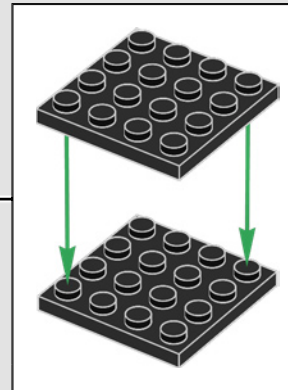
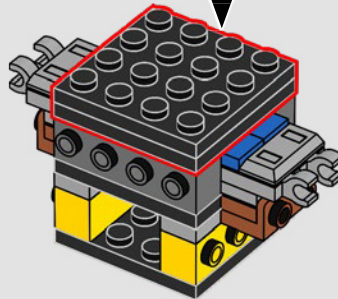
481



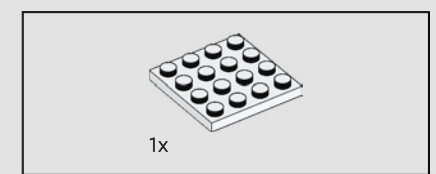
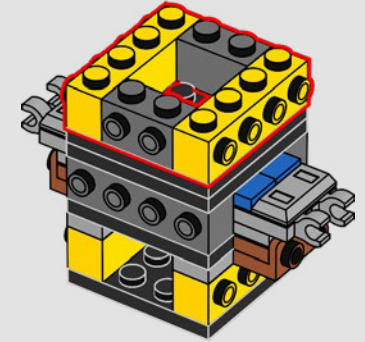
482



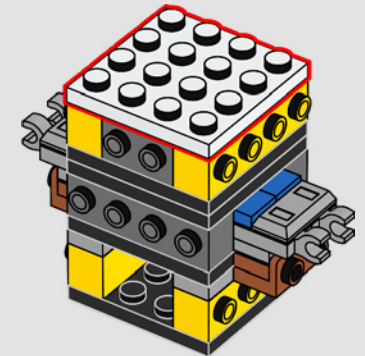
483



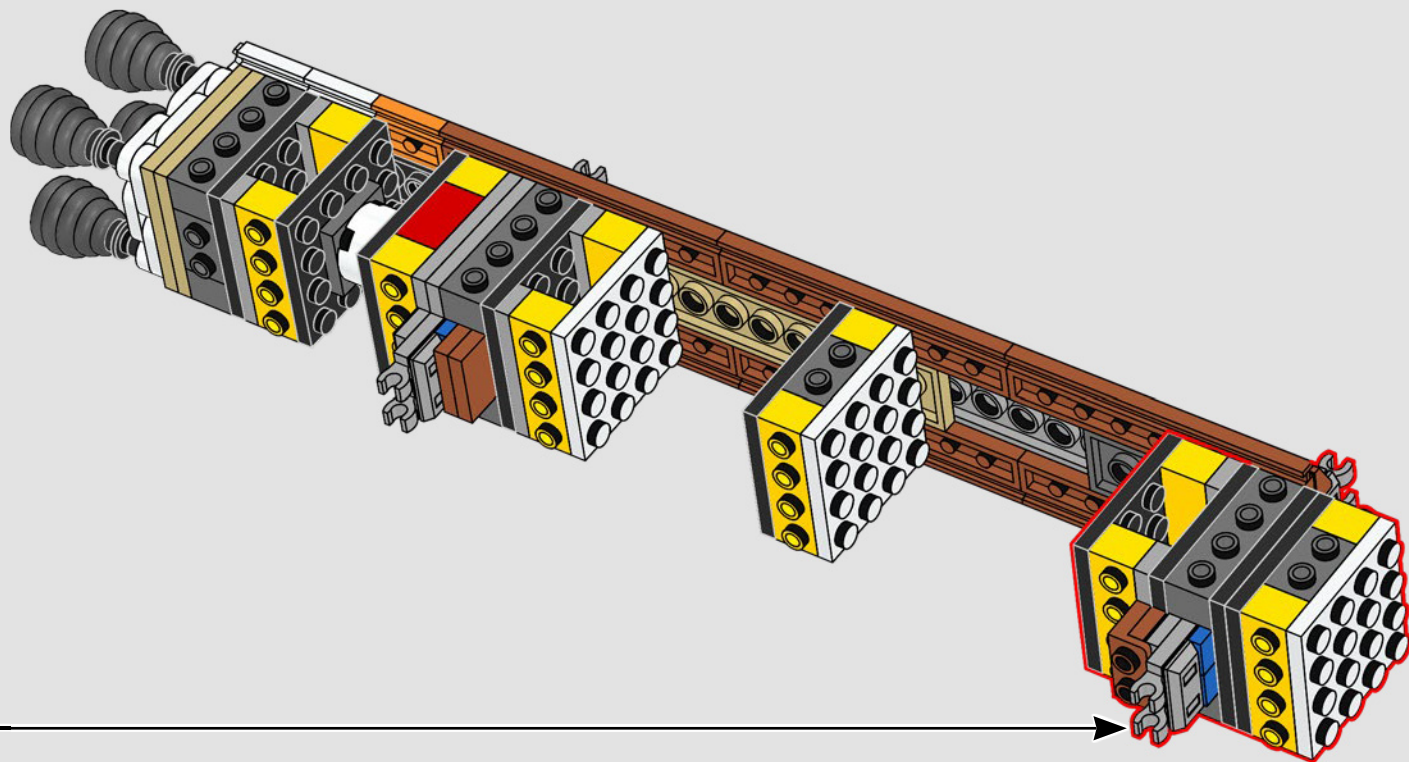
484

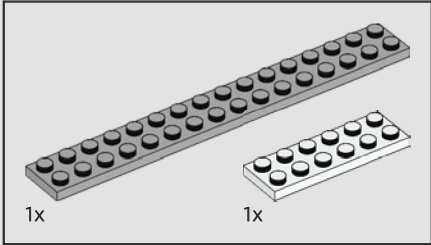
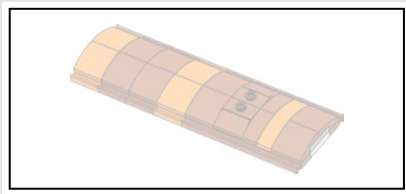


485

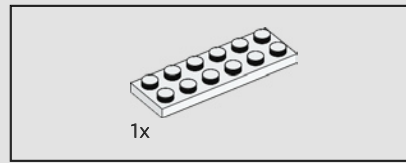
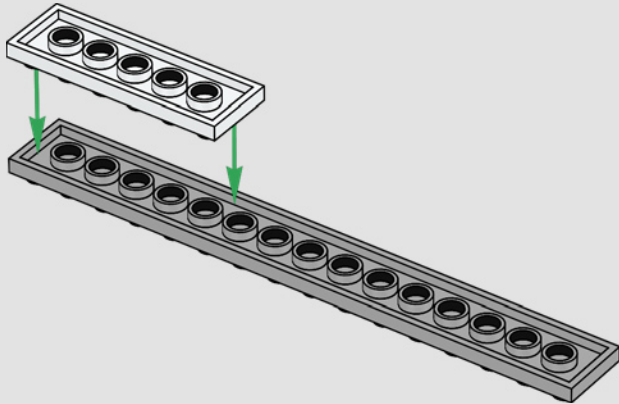


486

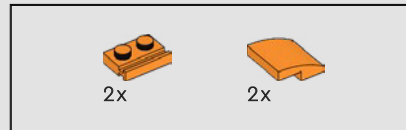
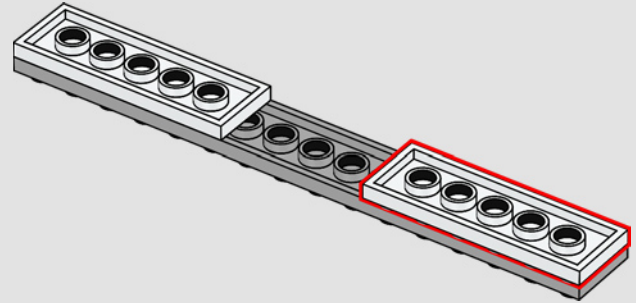




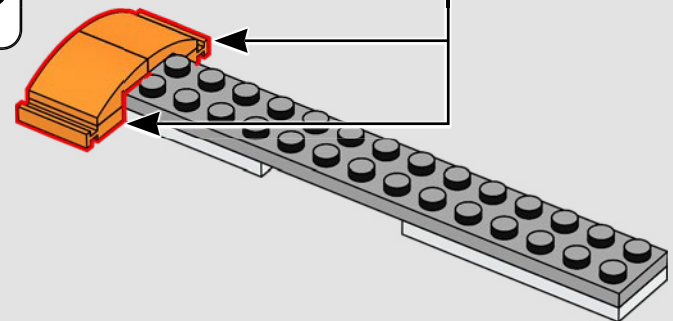
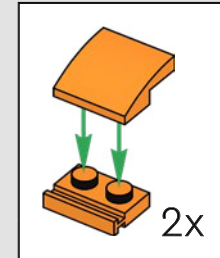
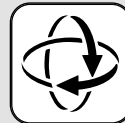
487

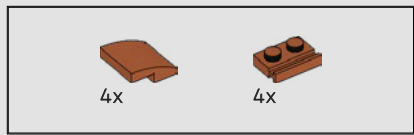


488

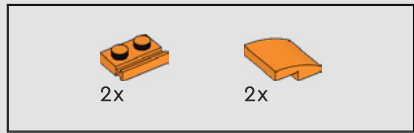
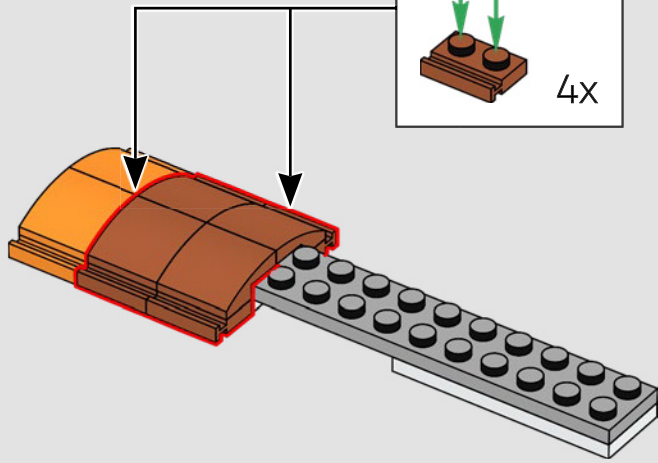
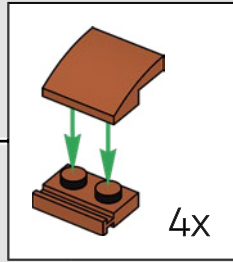


489

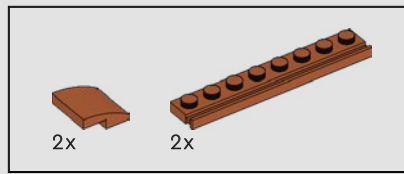
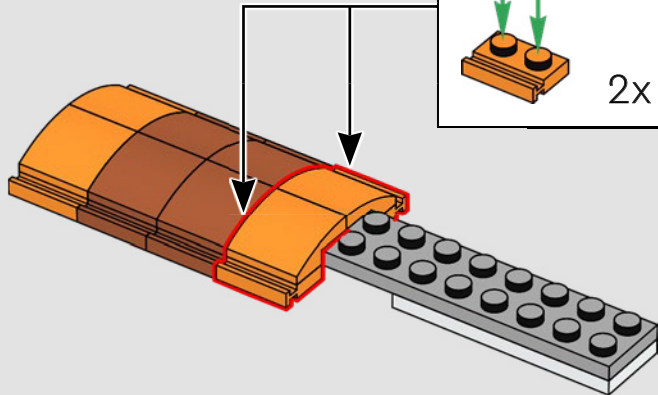
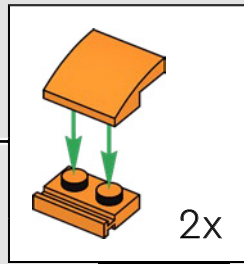




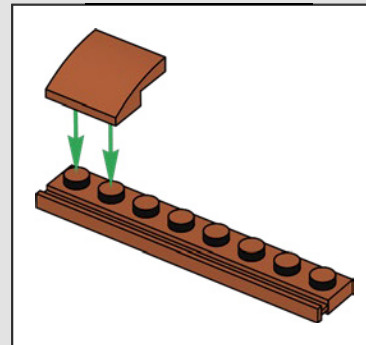
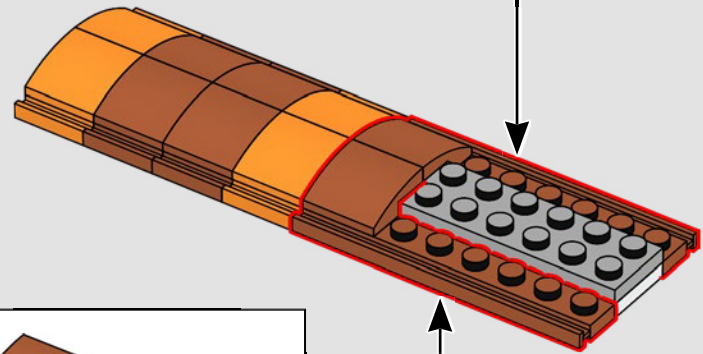
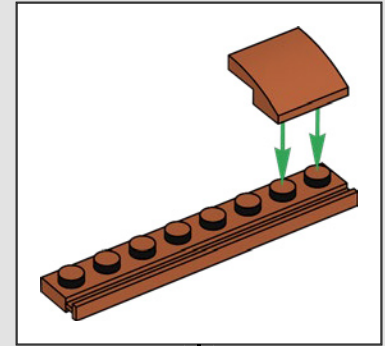
490

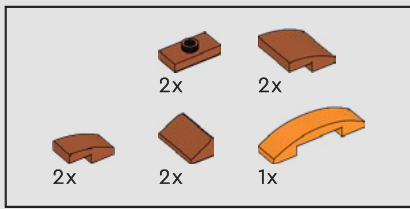


491

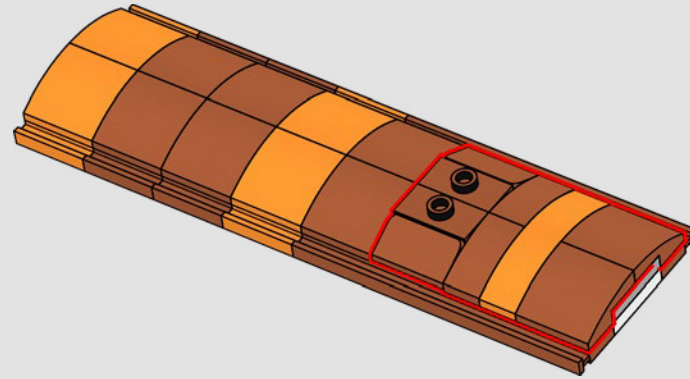


492

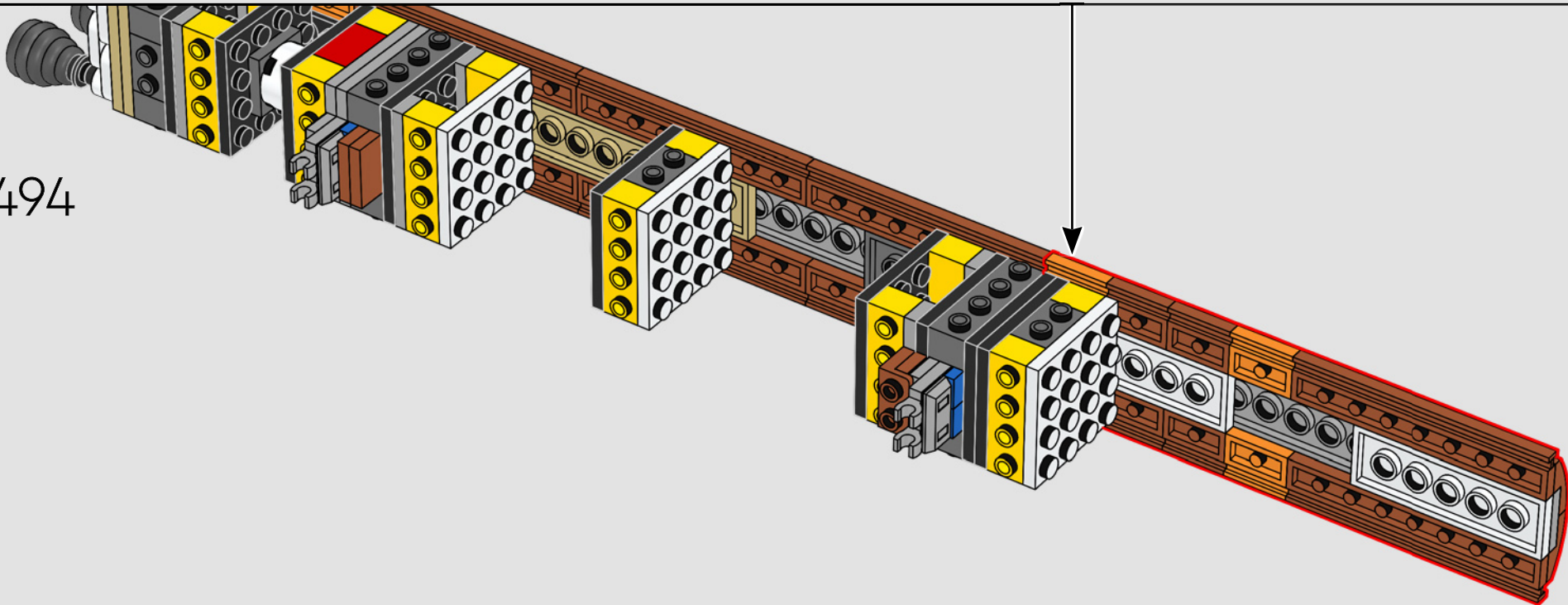


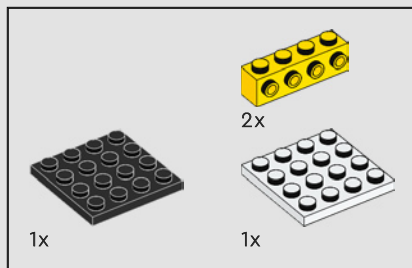


493

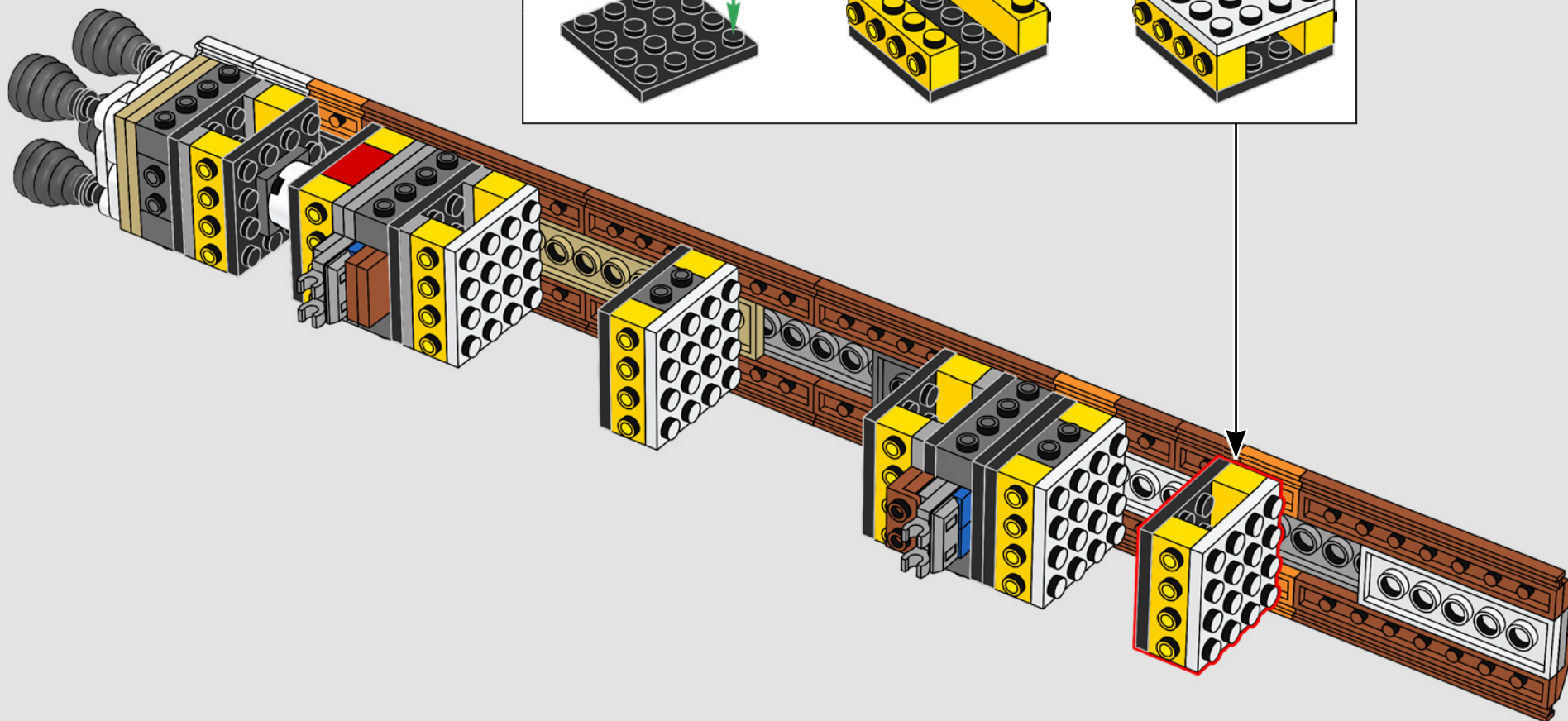
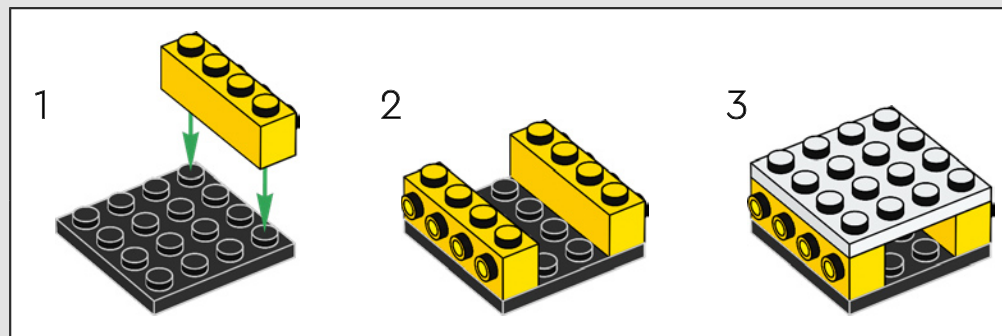


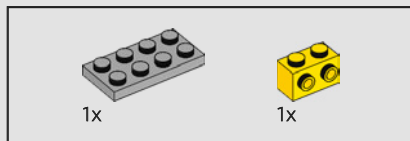
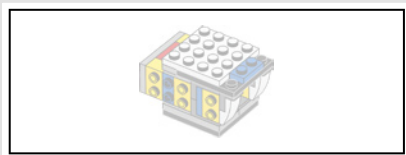
494



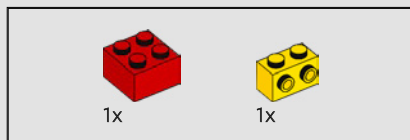
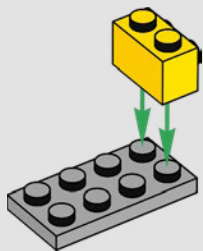


495

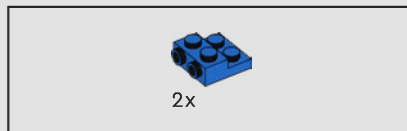
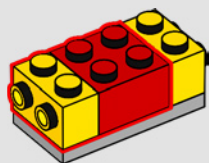




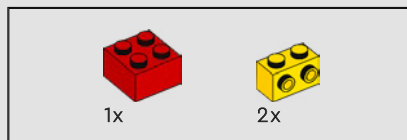
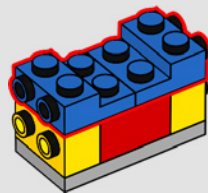
496



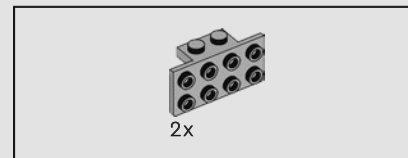
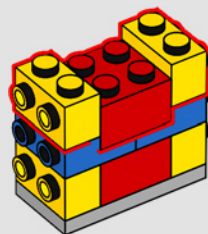
497



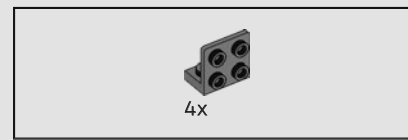
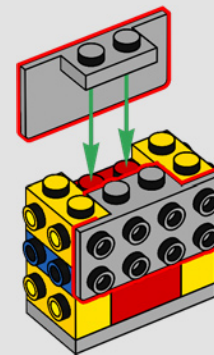
498



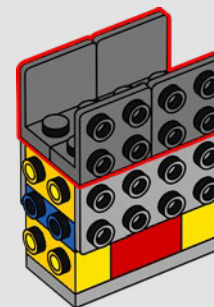
499

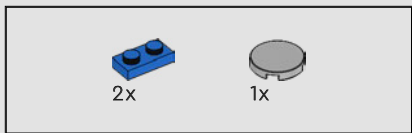


500

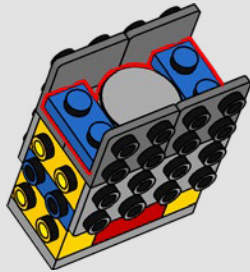


501

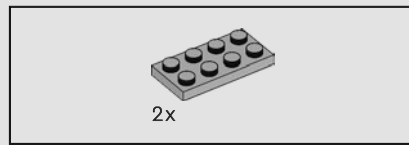
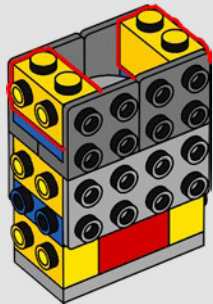




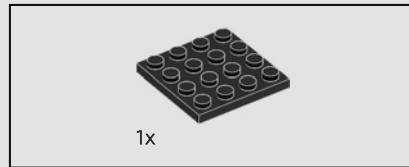
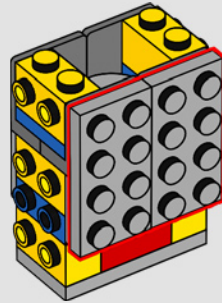
502



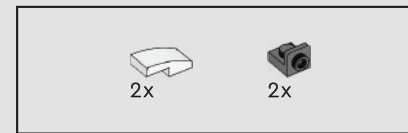
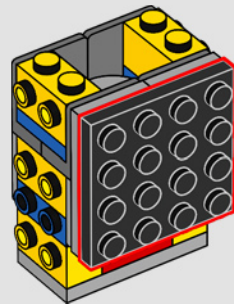
503



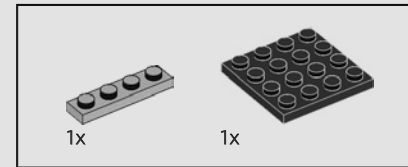
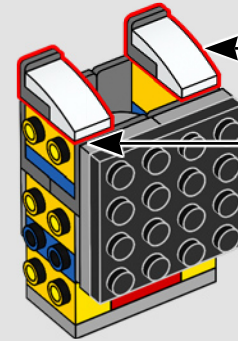
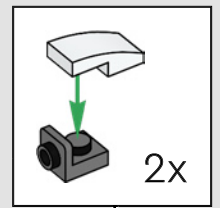
504



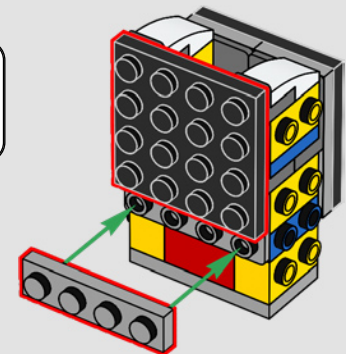
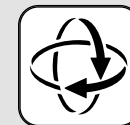
505

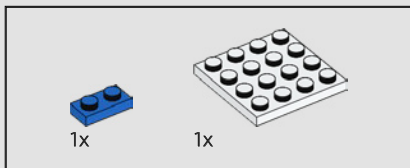


506

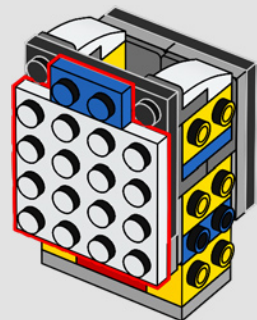


507

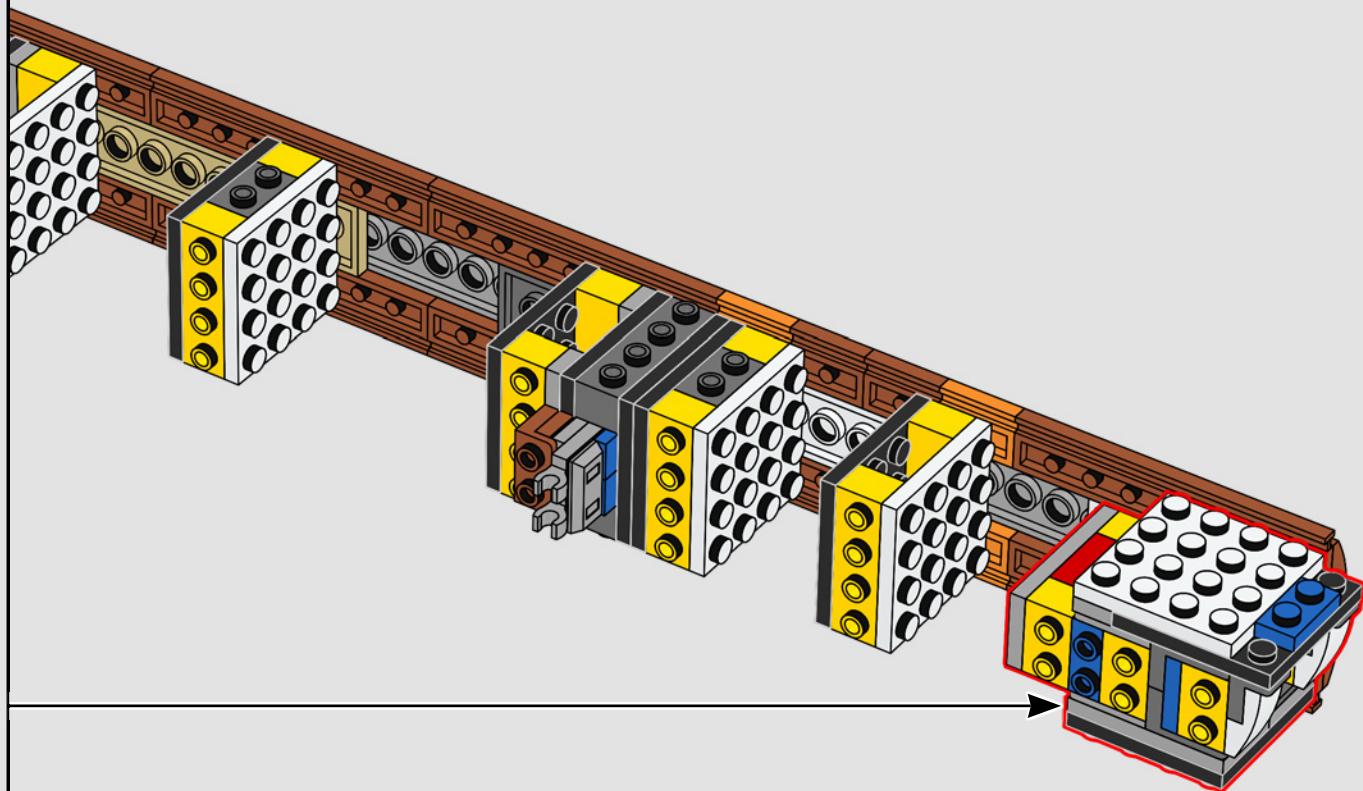




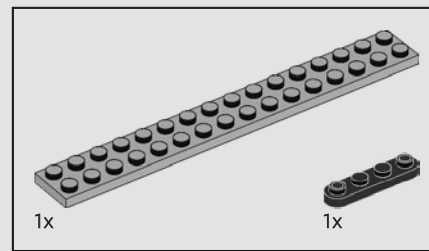
508



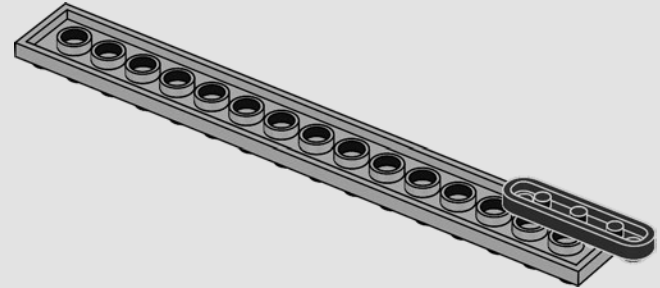
509



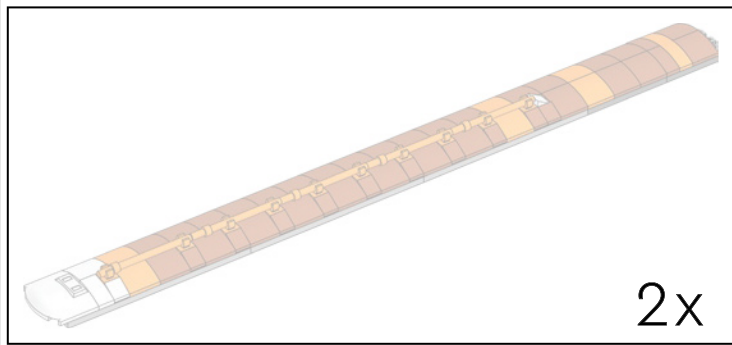
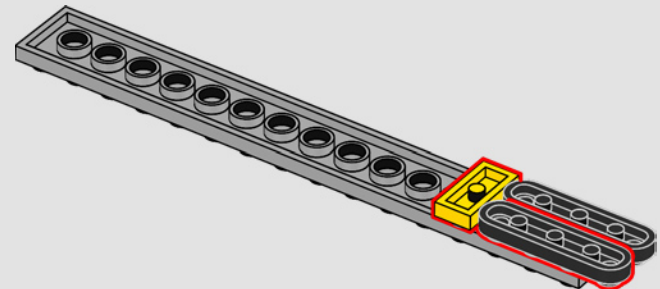
The core stage was developed specifically for the SLS. It consists of propellant tanks, avionics and related equipment. The four RS-25 engines provide attachment points for the boosters.

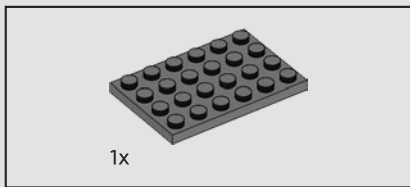


510

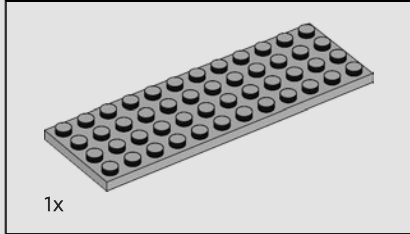
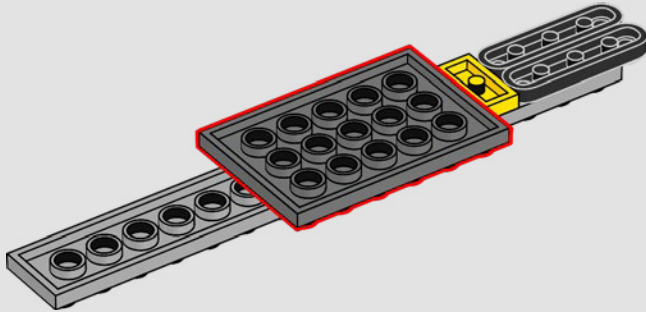


511

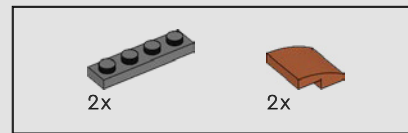
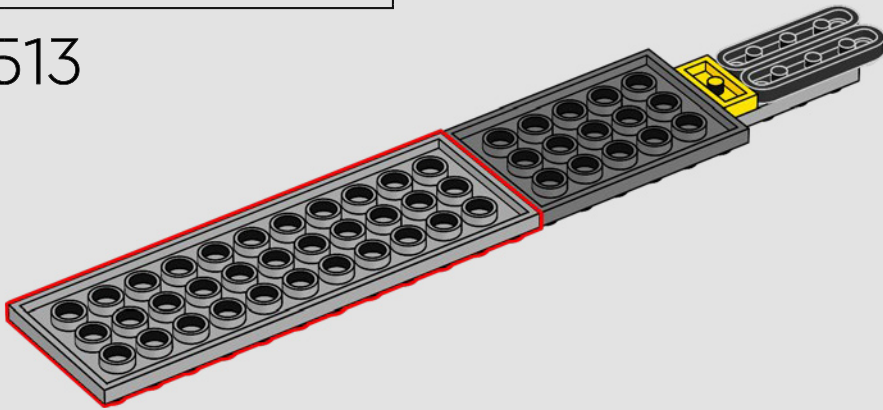




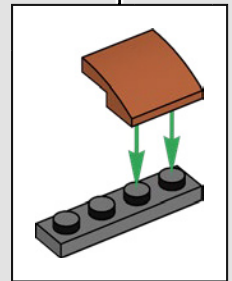
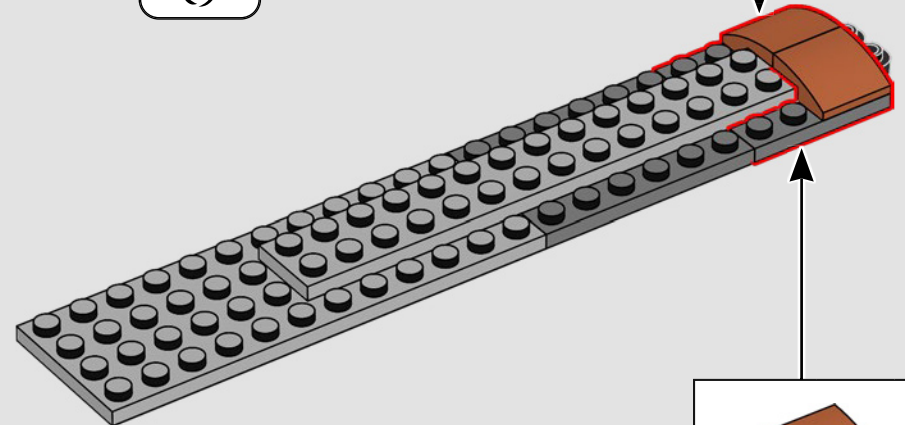
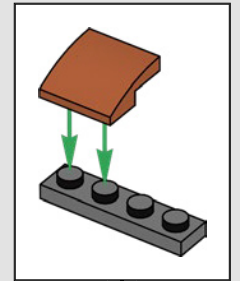
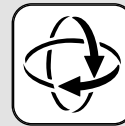
512

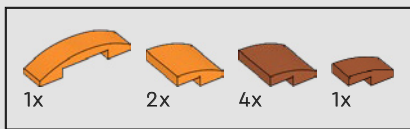


513

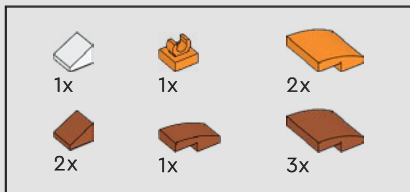
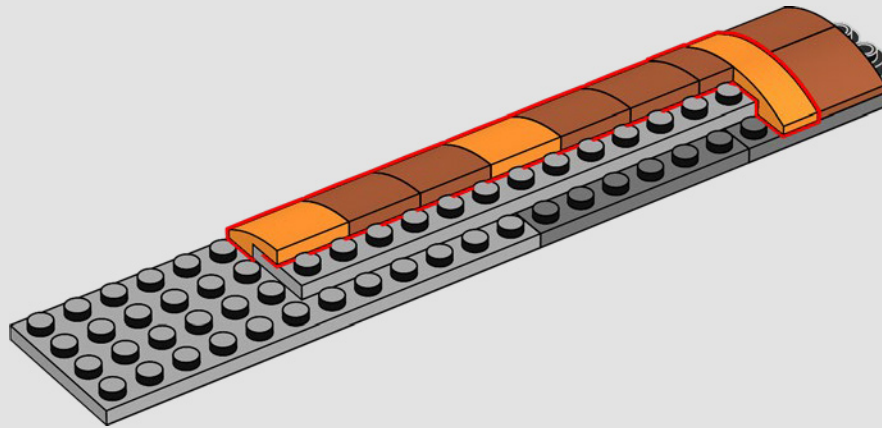


514

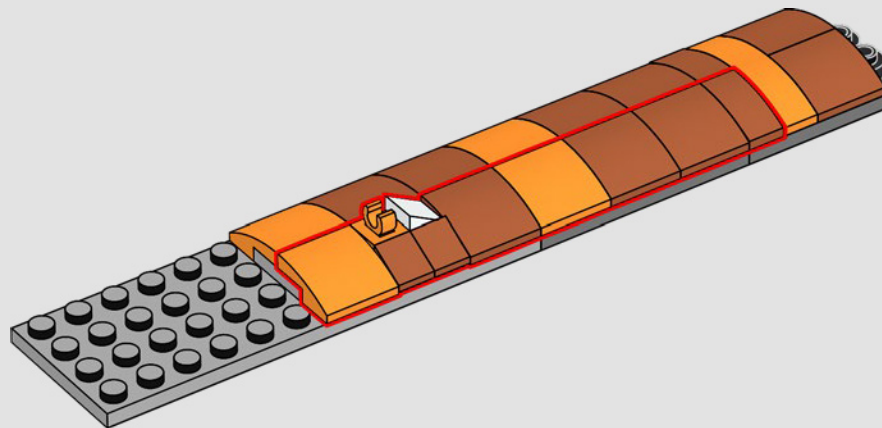


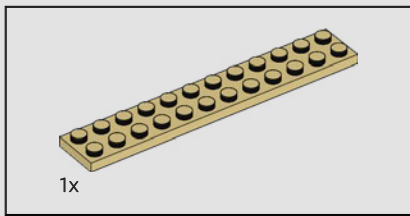


515

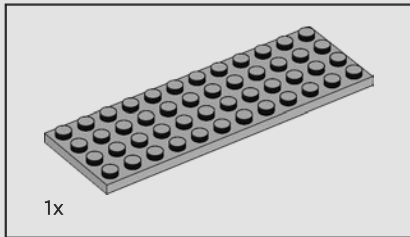
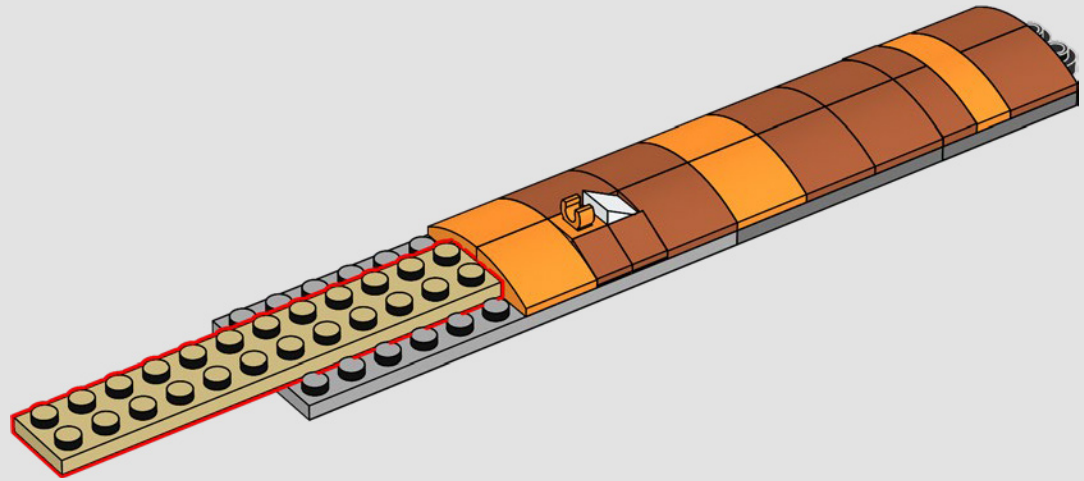


516

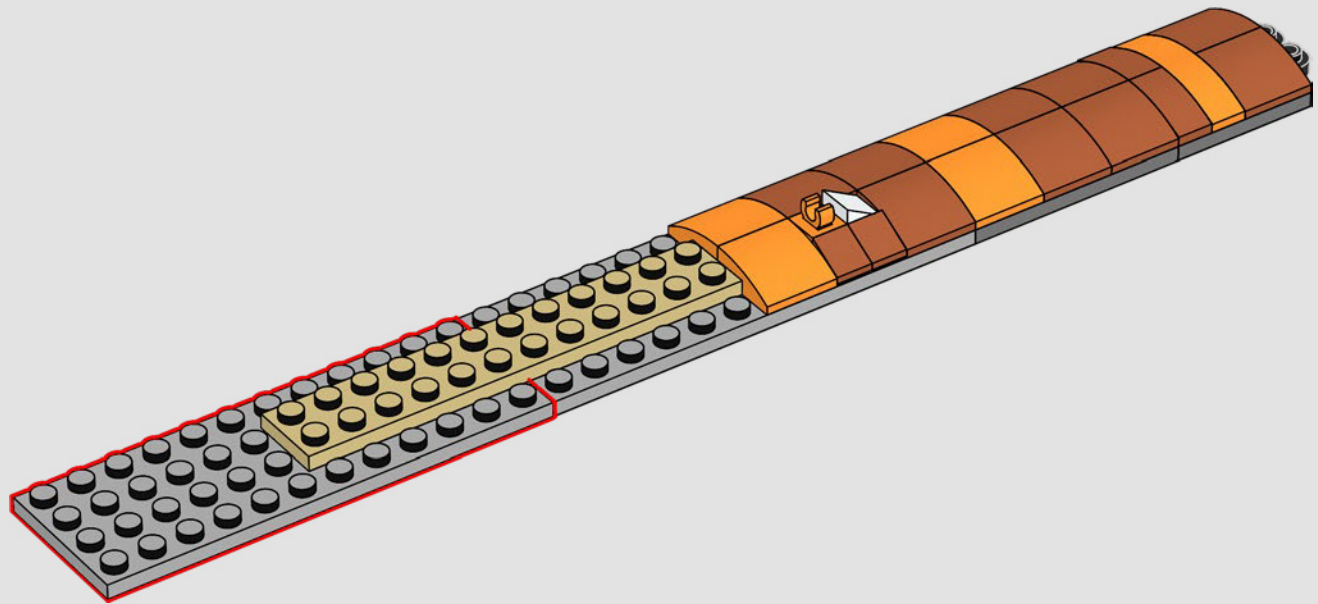


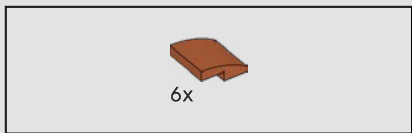


517

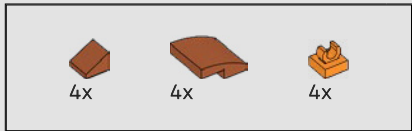
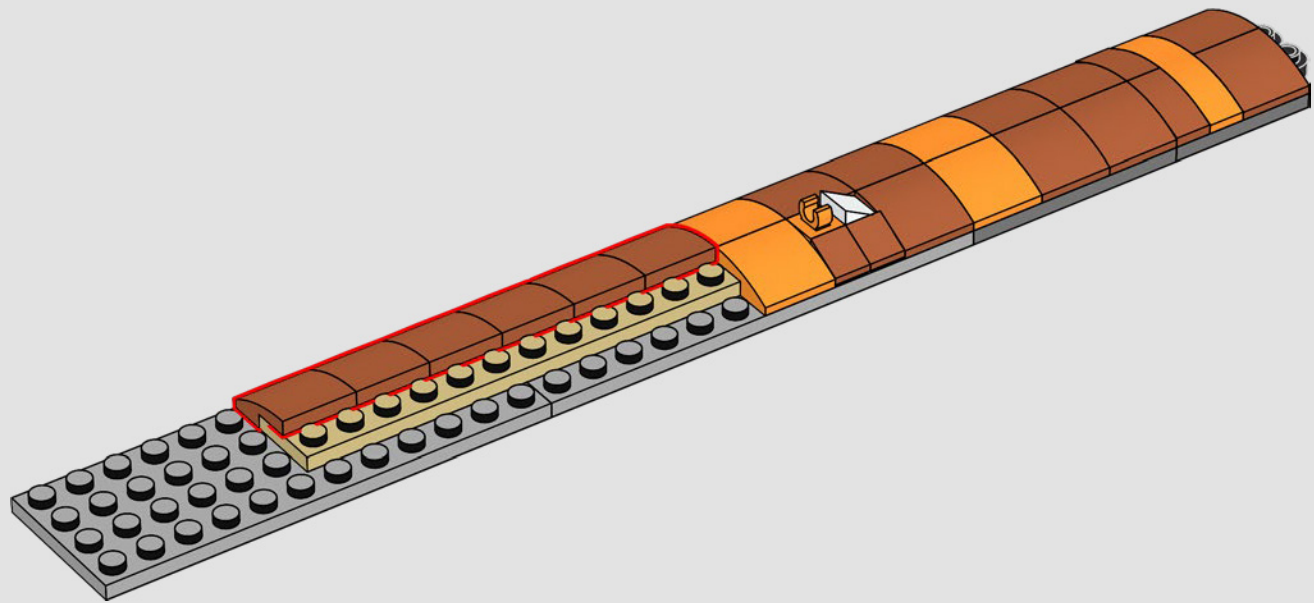


518

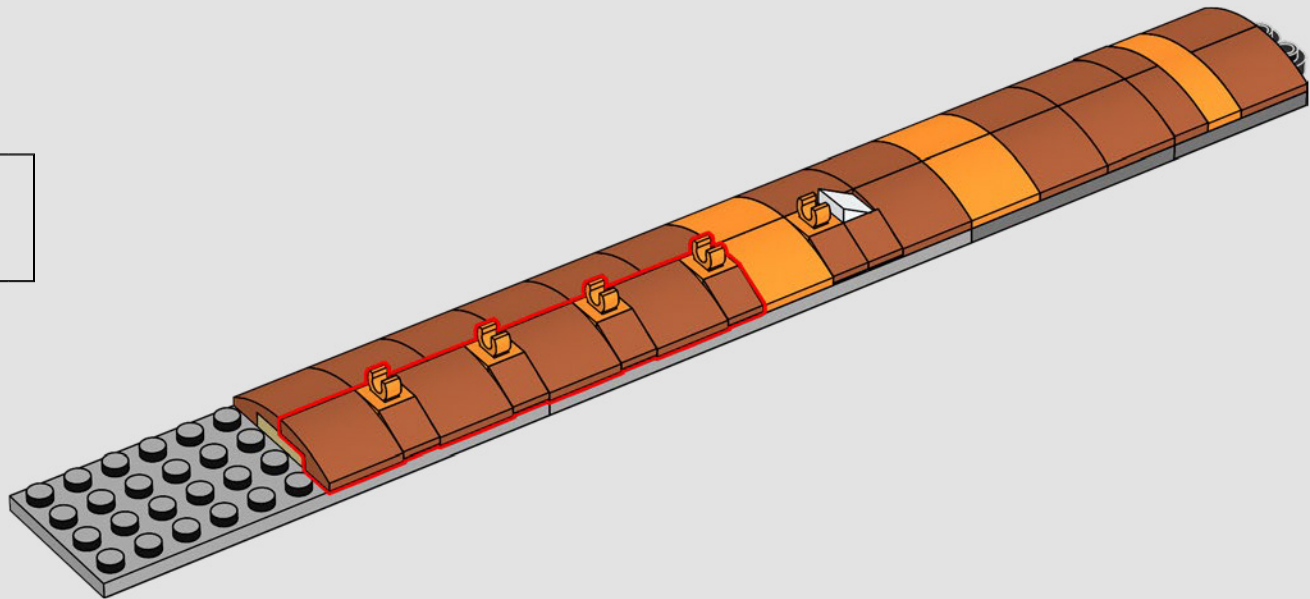


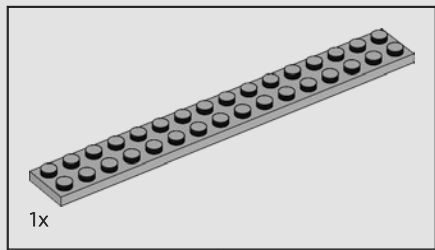


519



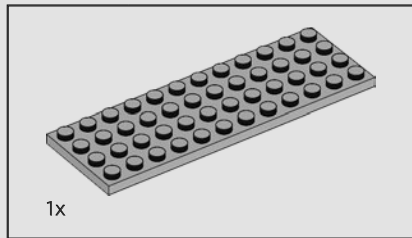
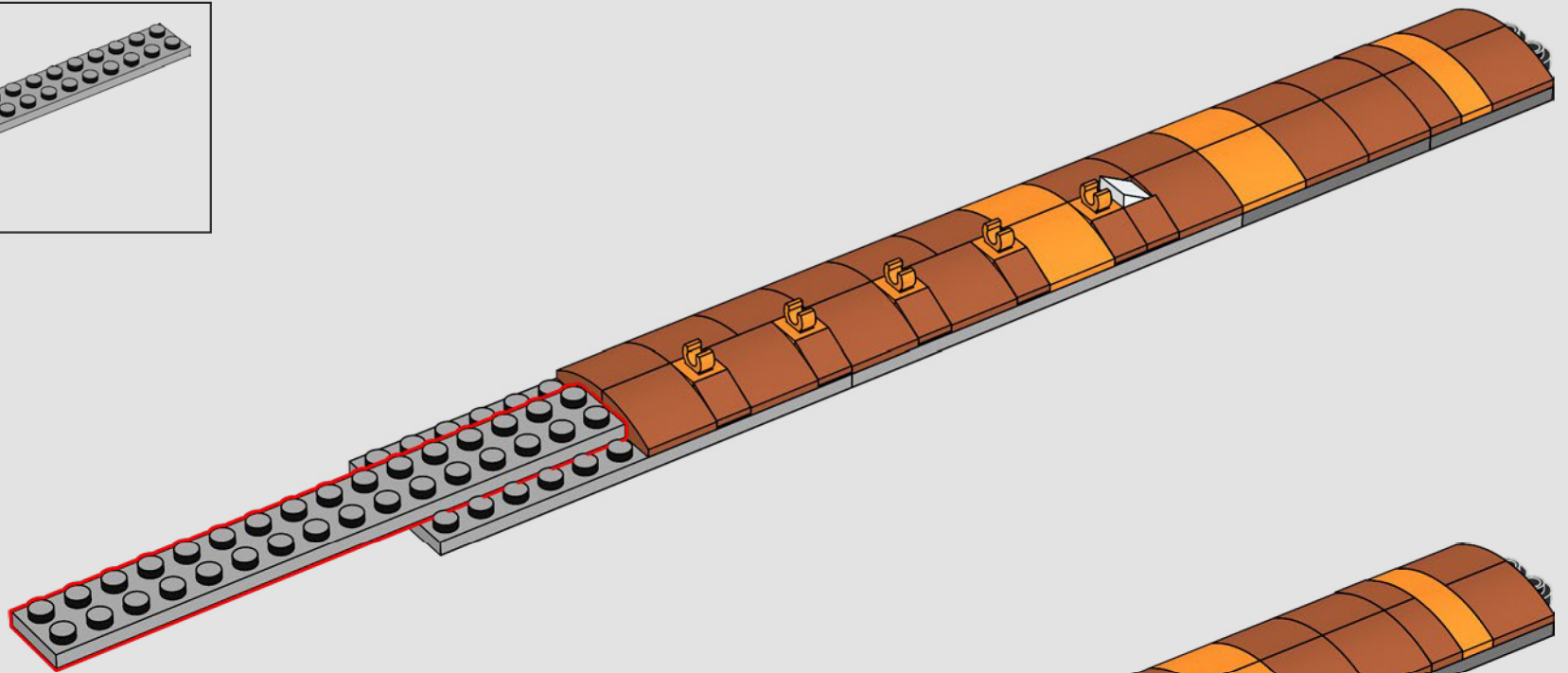
520





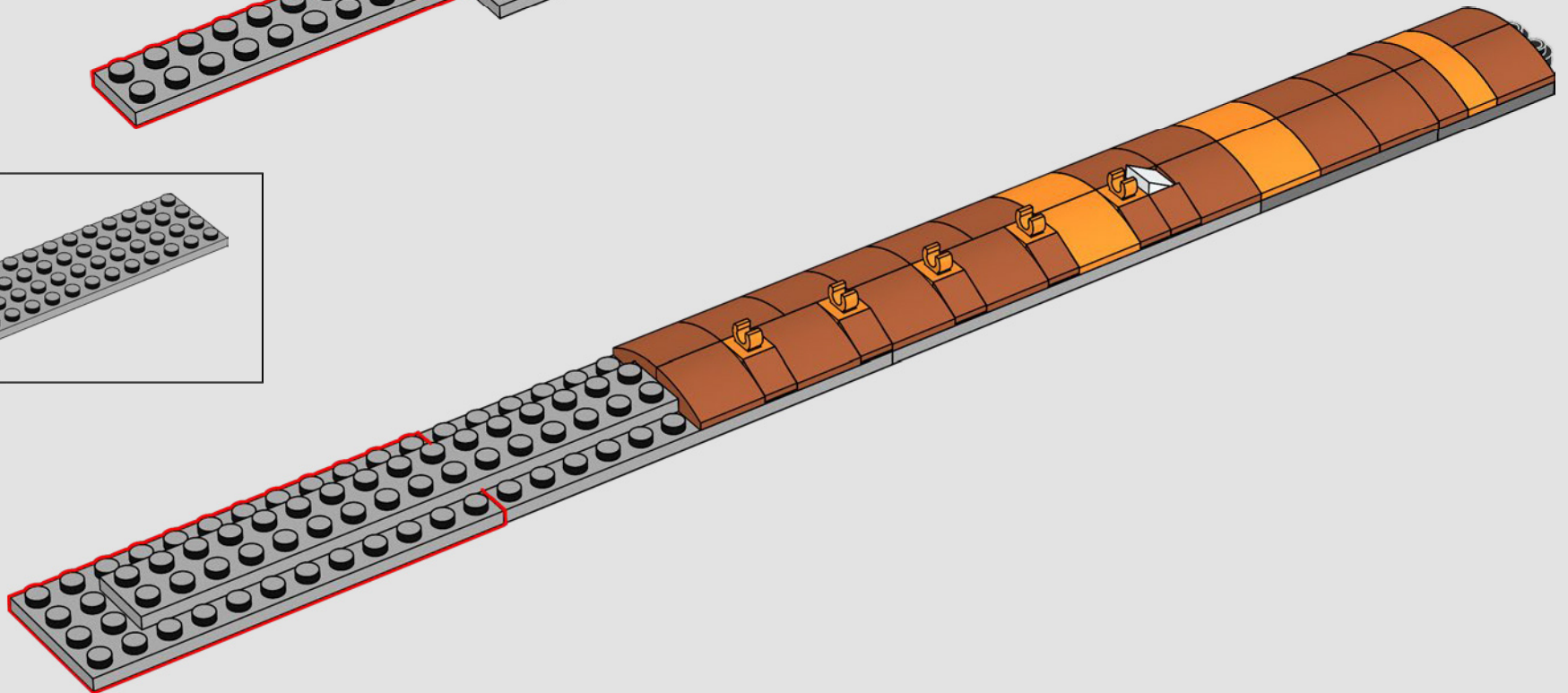
1x

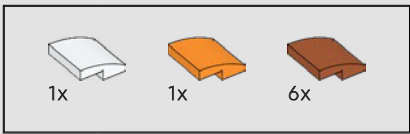
521



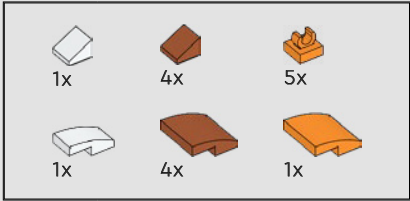
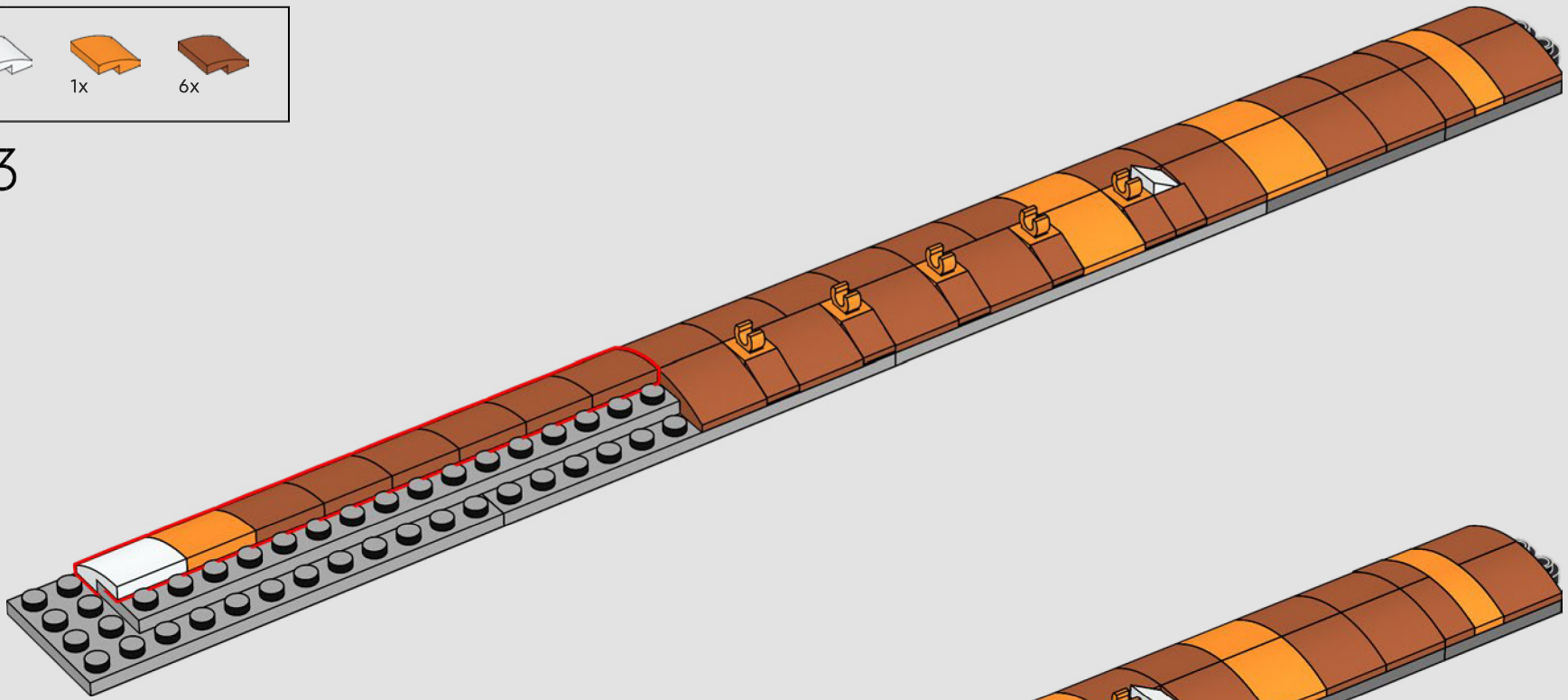
1x

522

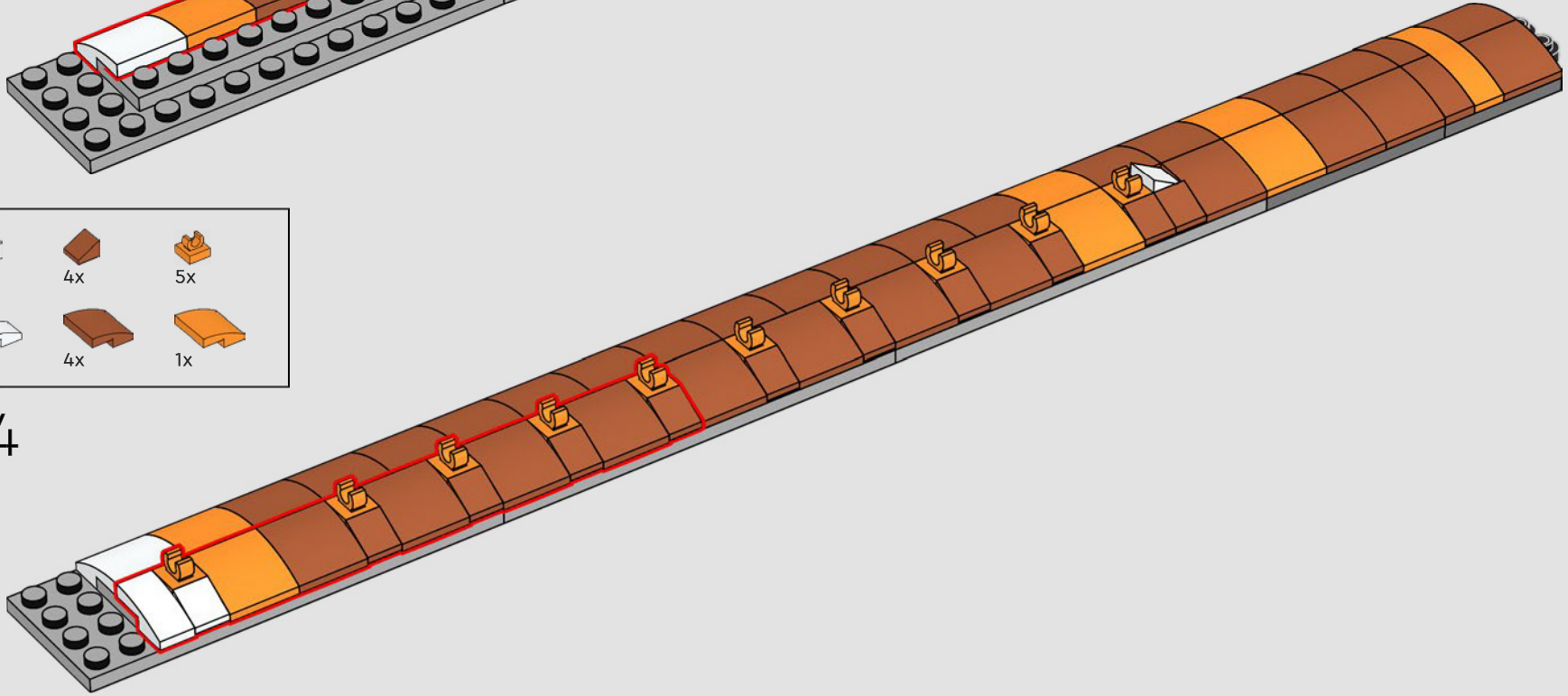


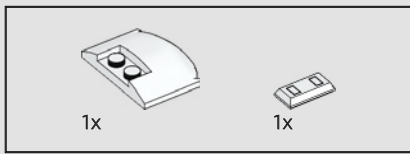


523

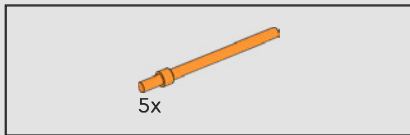
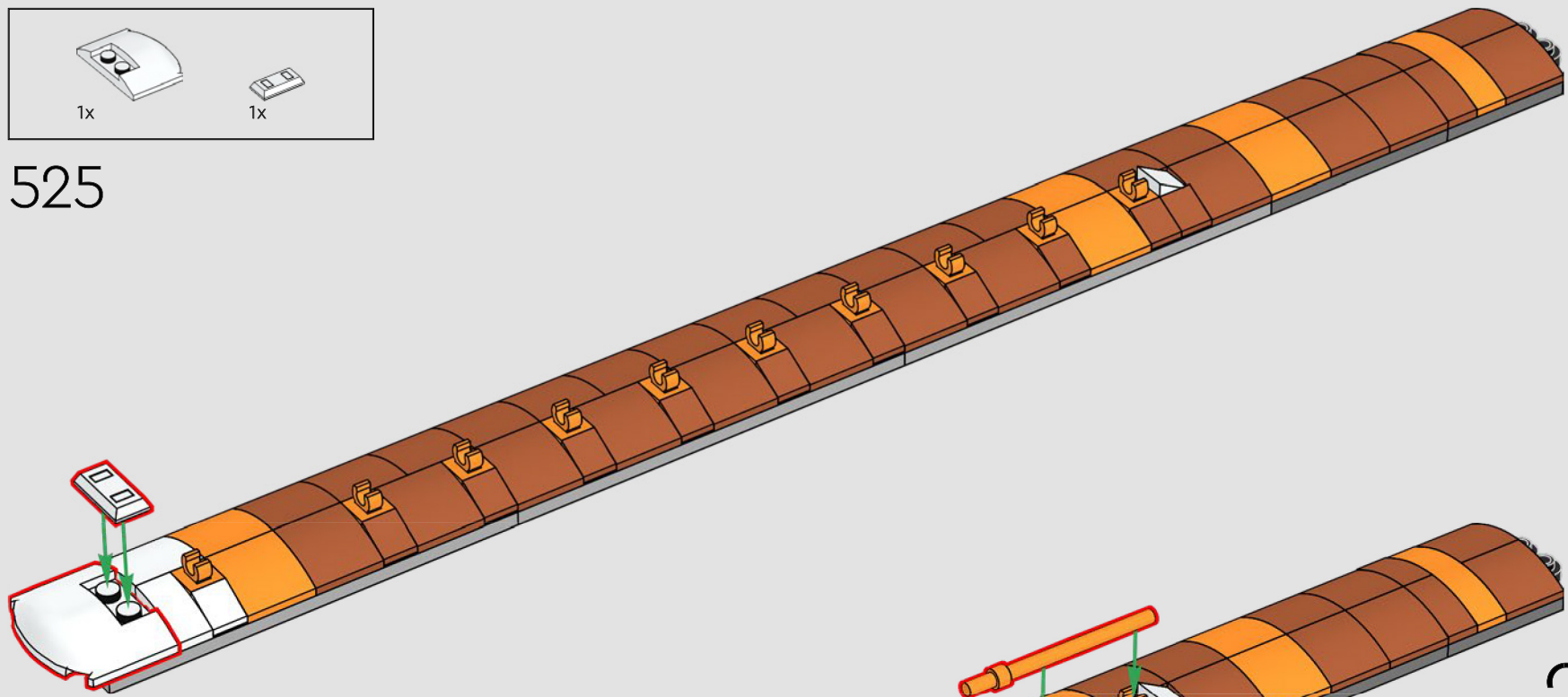


524

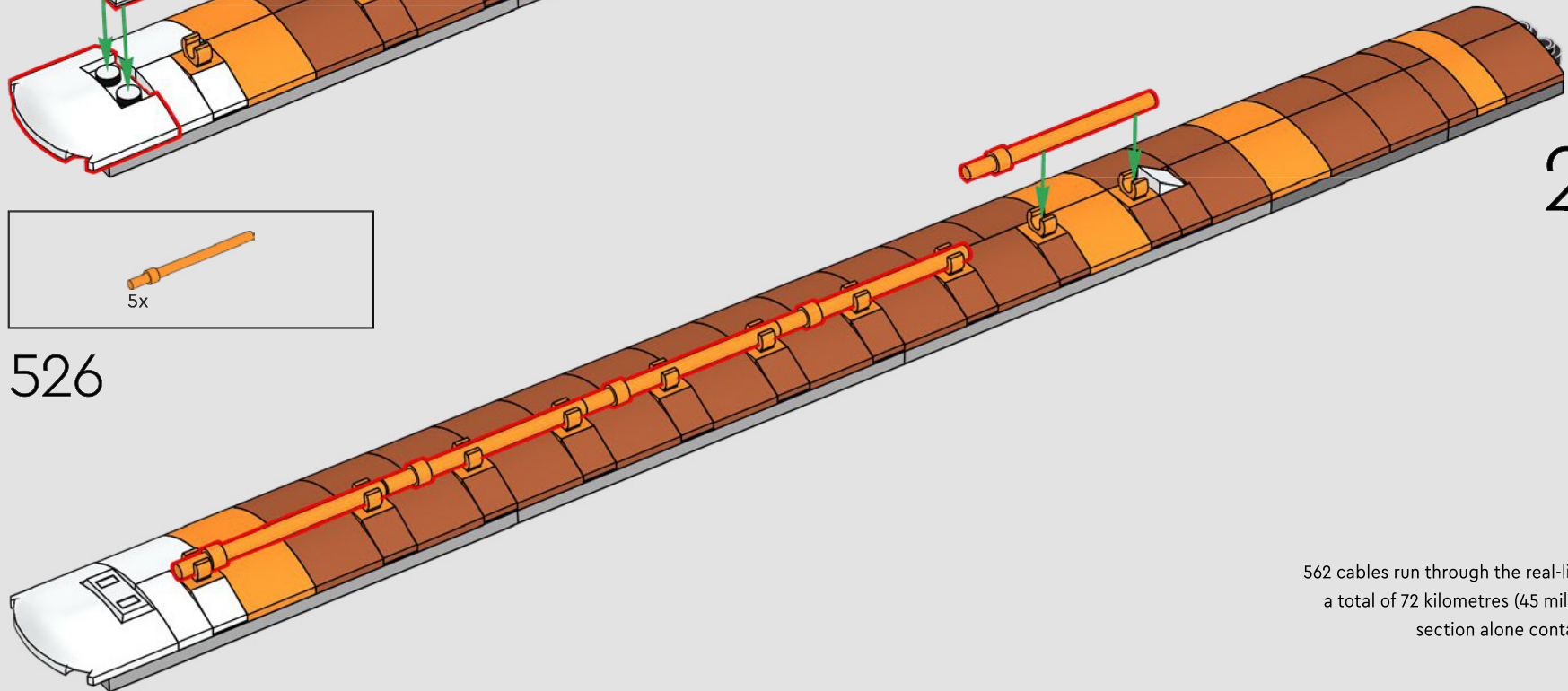




525



526



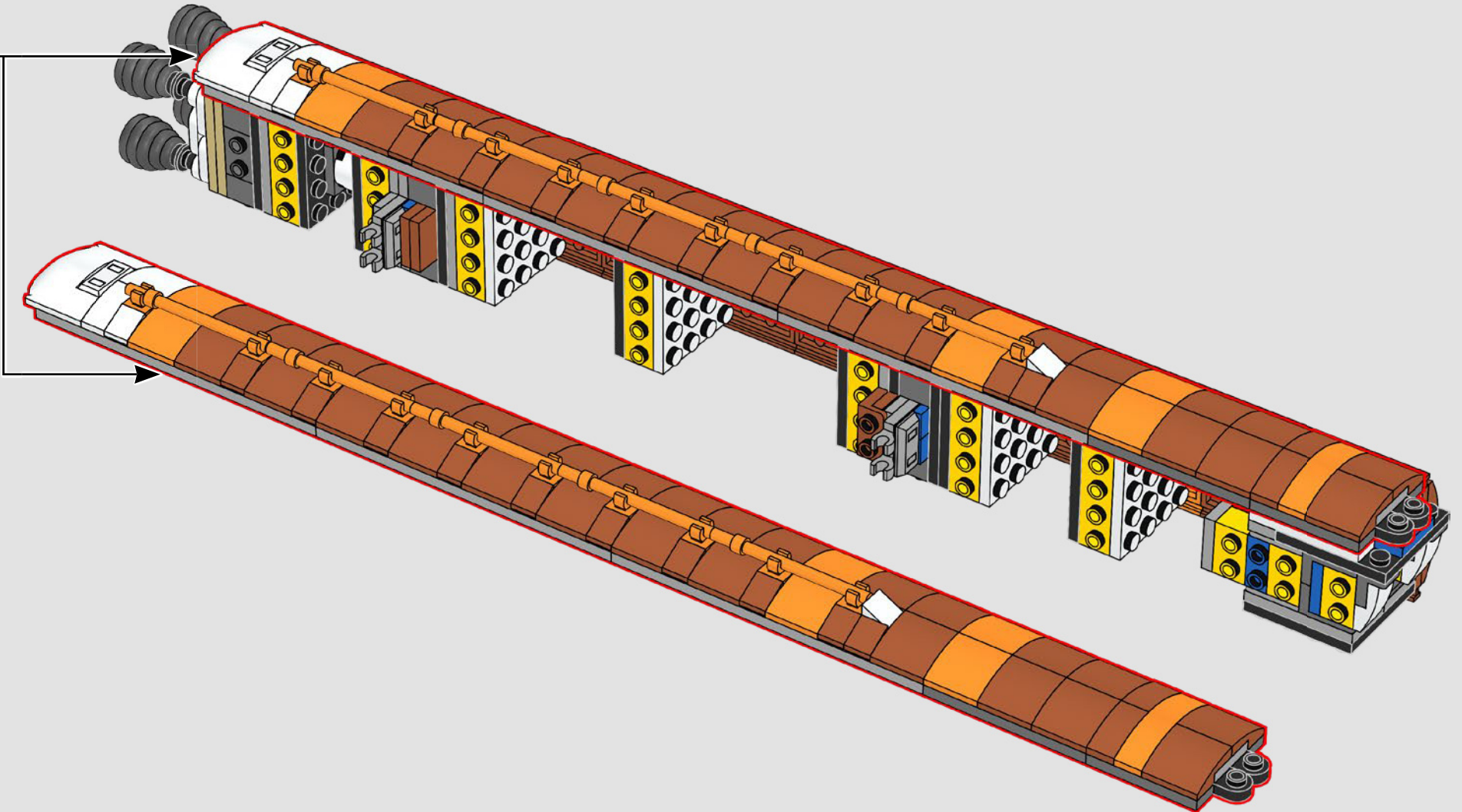
2x

562 cables run through the real-life core stage – a total of 72 kilometres (45 miles). The engine section alone contains 231 cables.

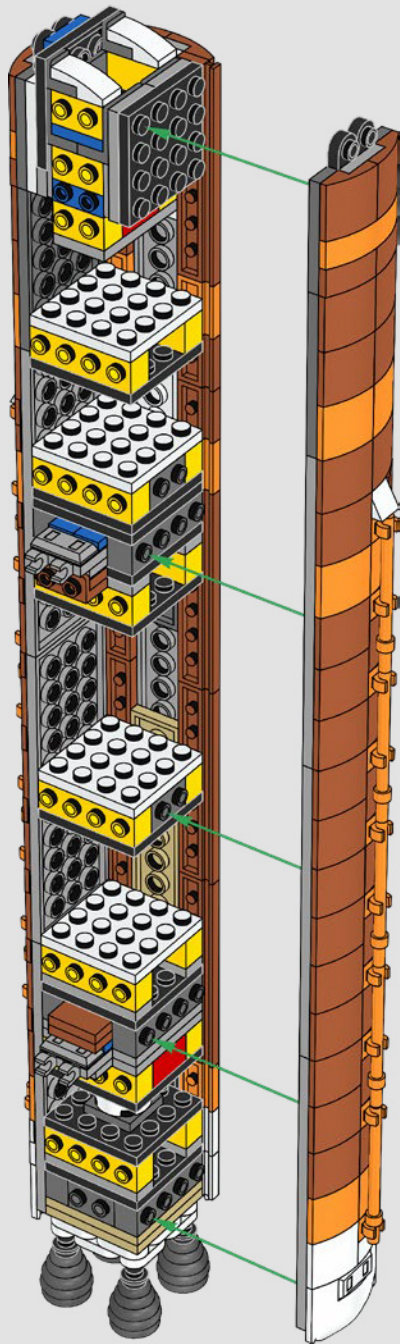


527

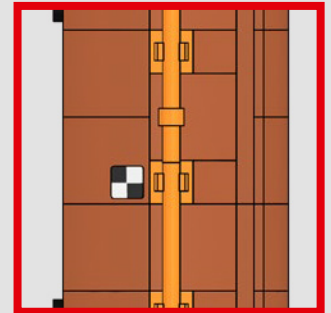
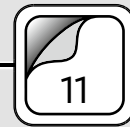
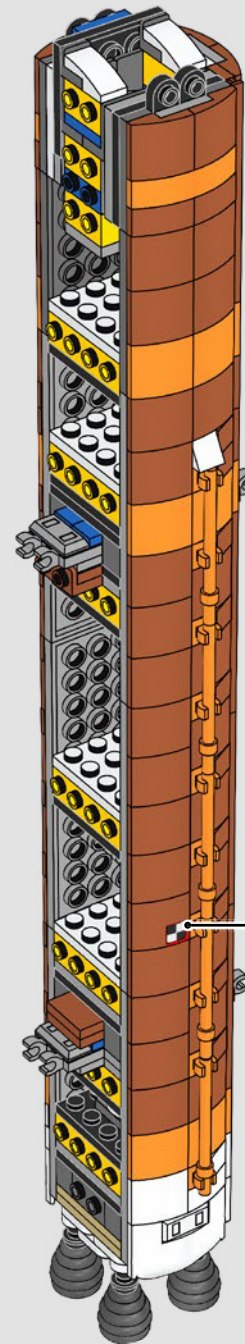
The orange colour on the first stage is the insulation foam that helps keep the propellant cool. The foam reacts to sunlight by becoming brighter where it is the thinnest - hence the bright orange elements on the otherwise dark orange model.

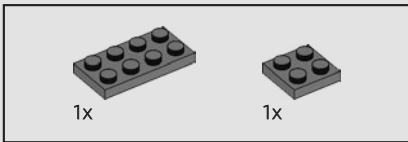
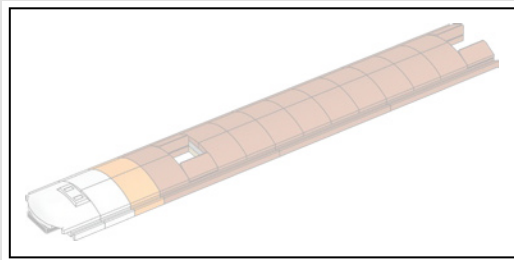


528

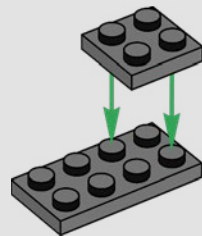


529

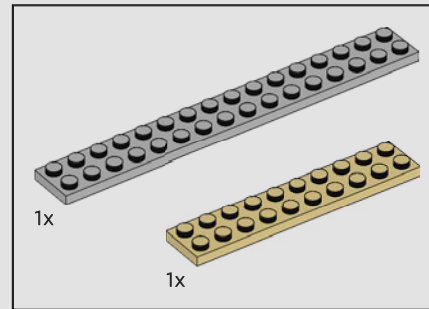
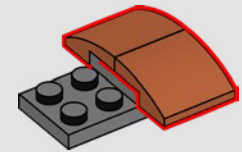




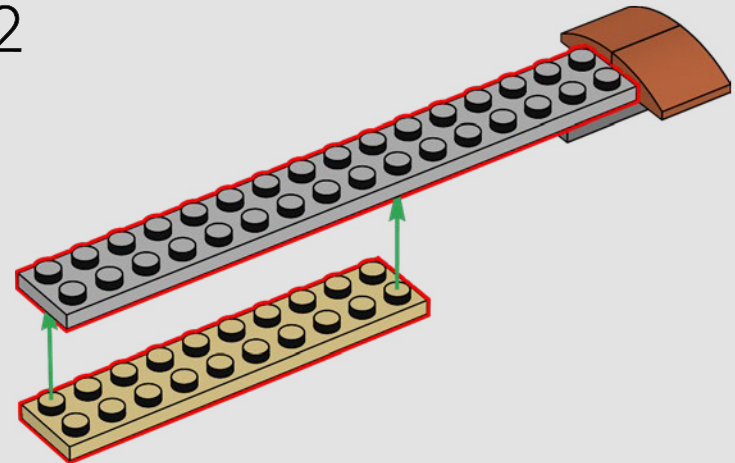
530

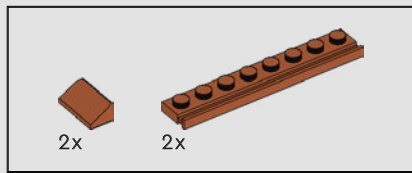


531

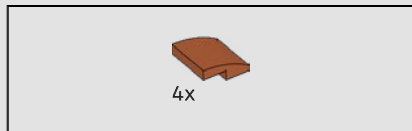
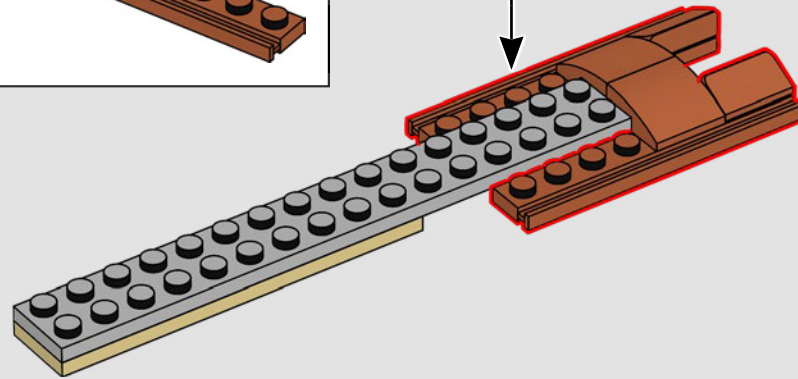
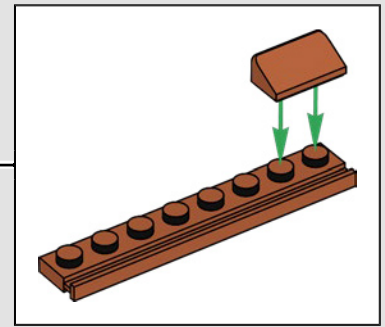
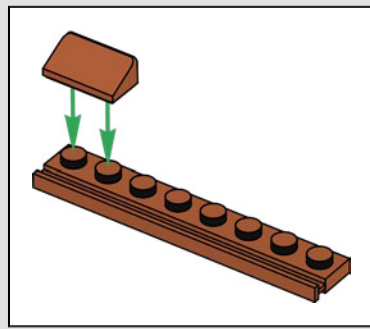


532

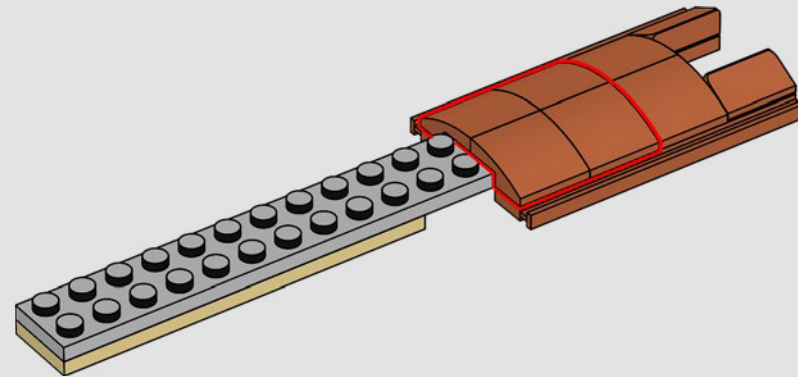


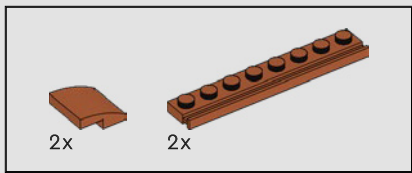


533

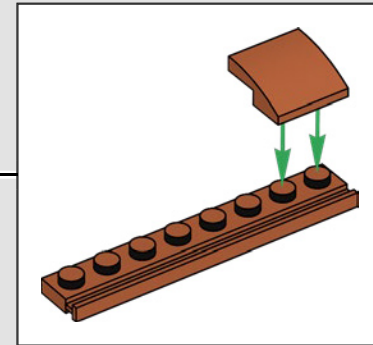
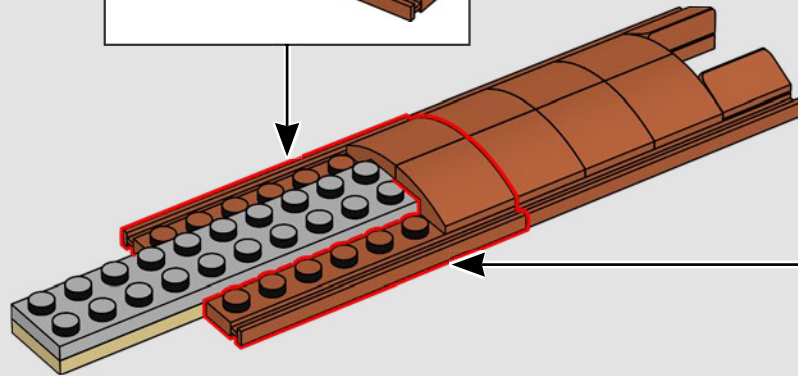
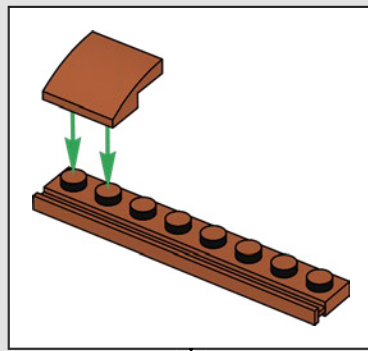


534

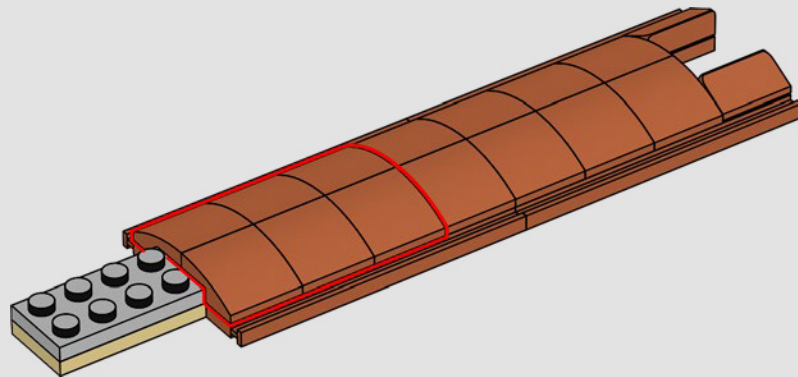


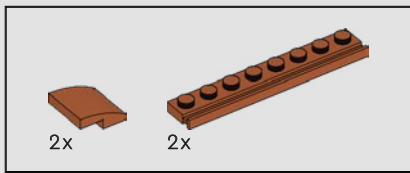


535

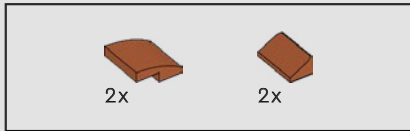
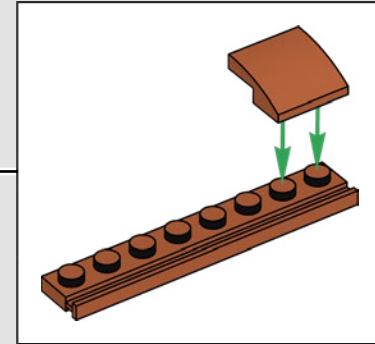
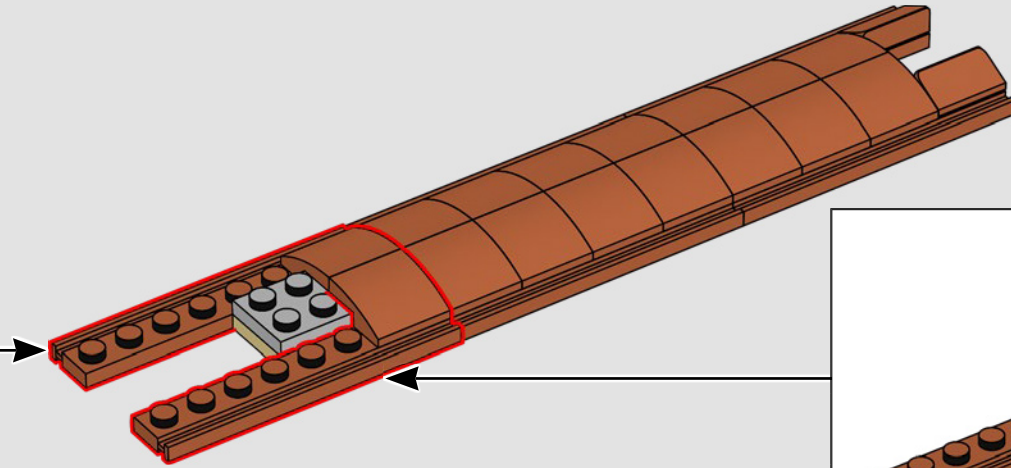
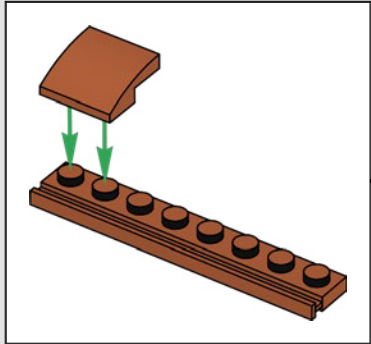


536

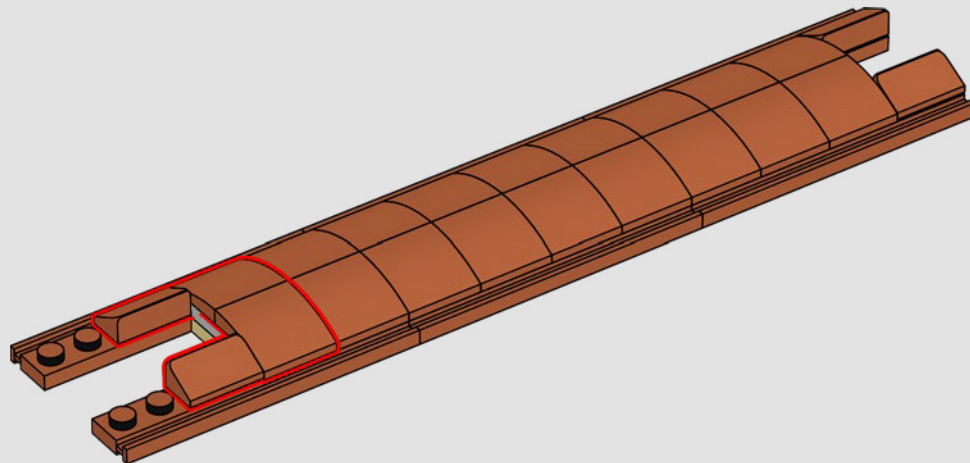


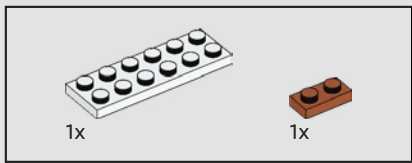


537

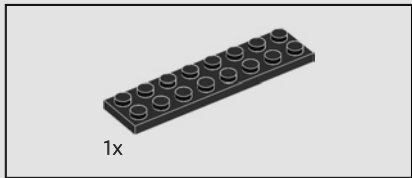
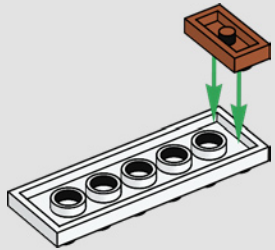


538

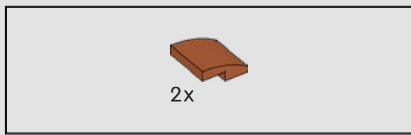
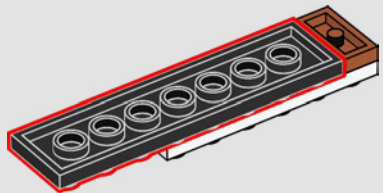




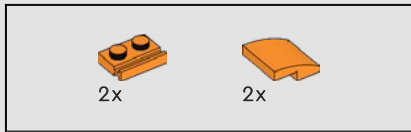
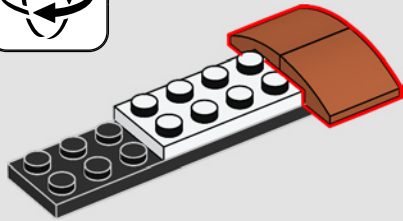
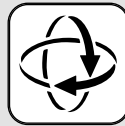
539



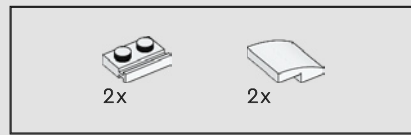
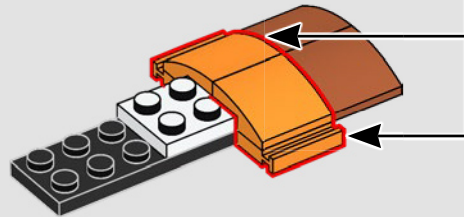
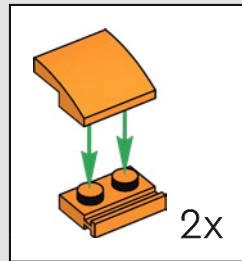
540



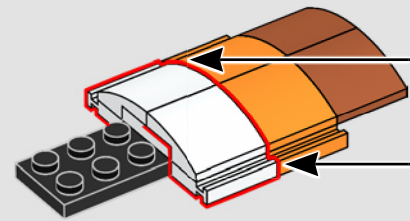
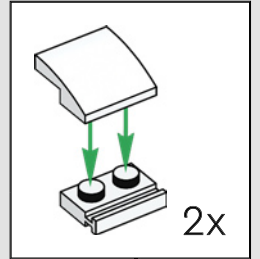
541



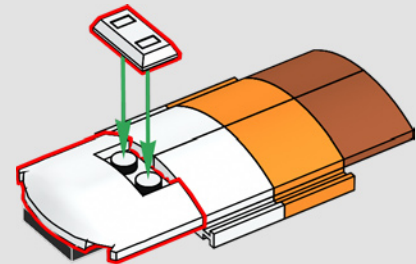
542

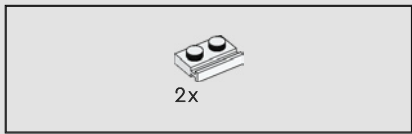


543

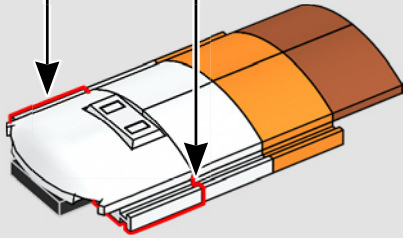
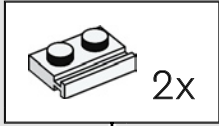


544

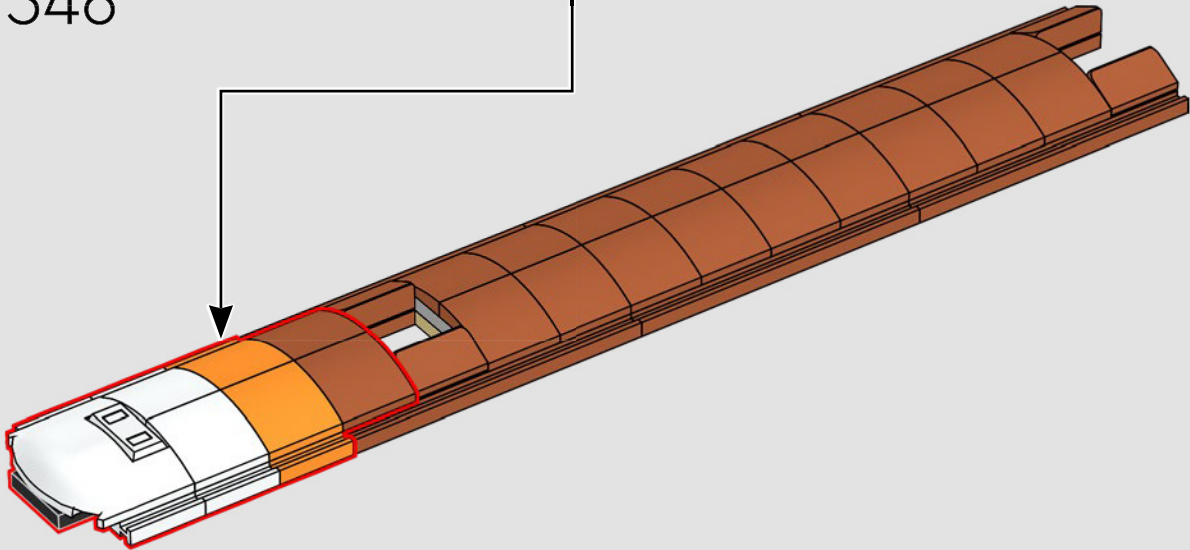




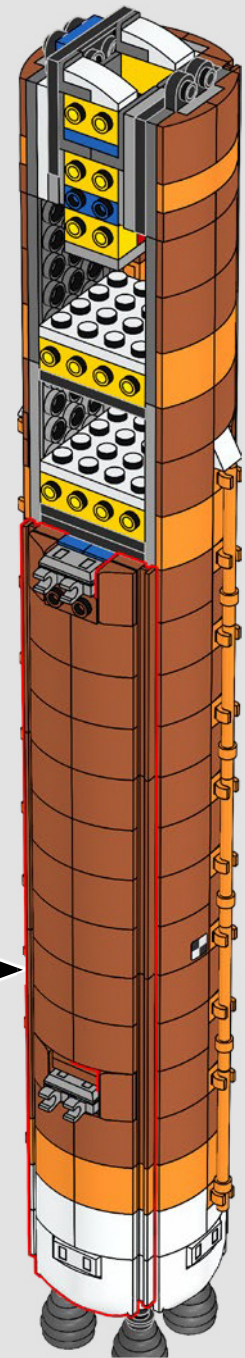
545

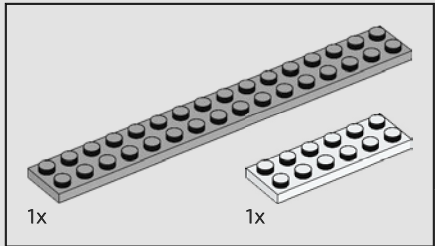
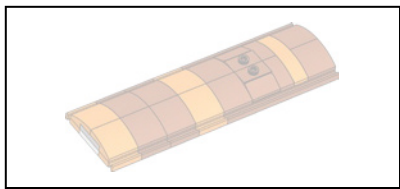


546

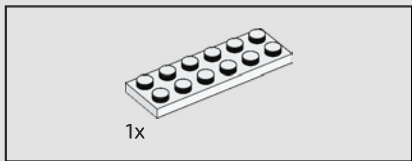
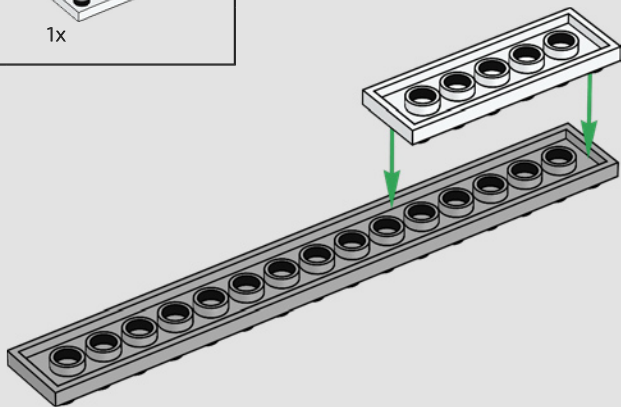


547

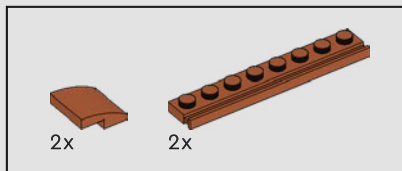
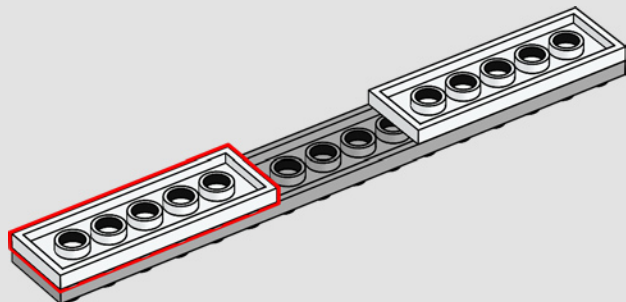




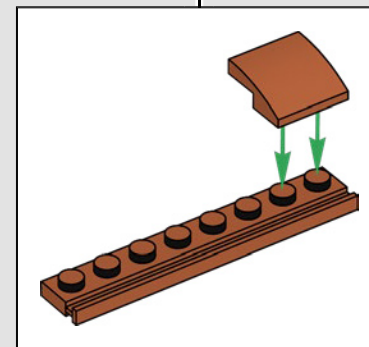
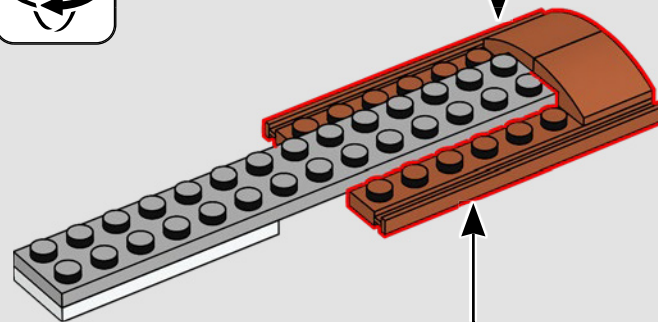
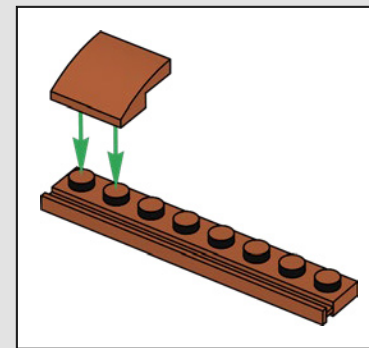
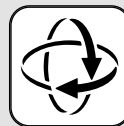
548

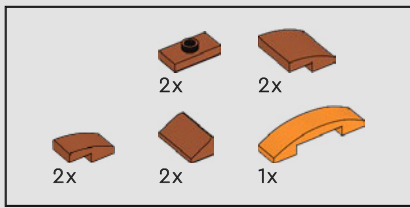


549

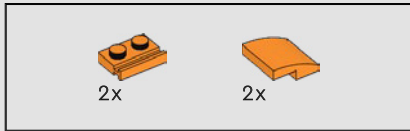
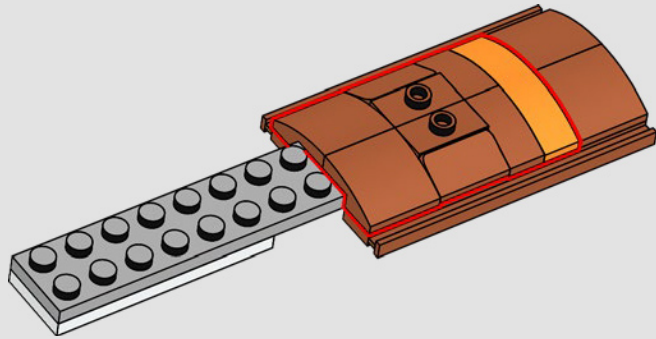


550

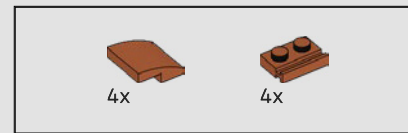
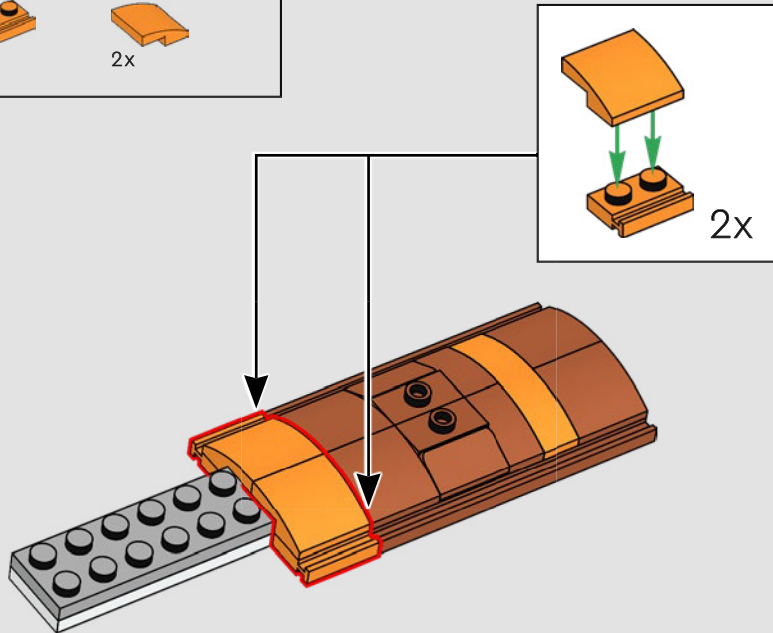




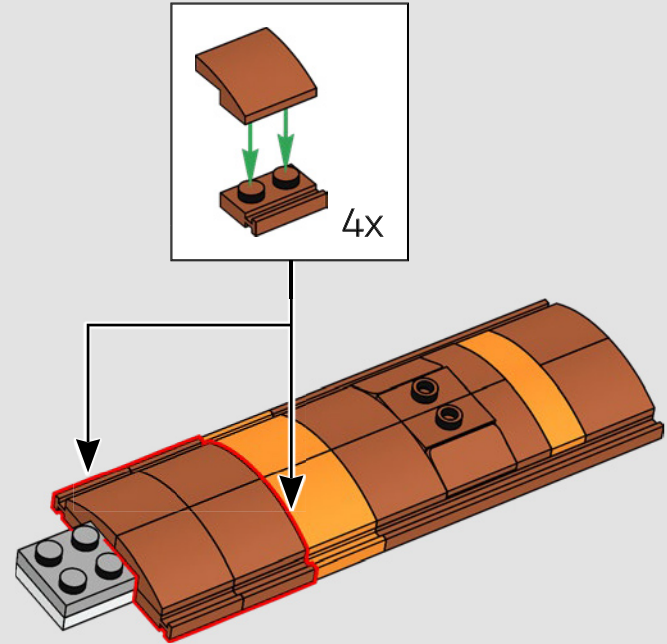
551

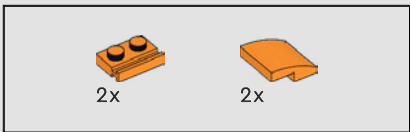


552

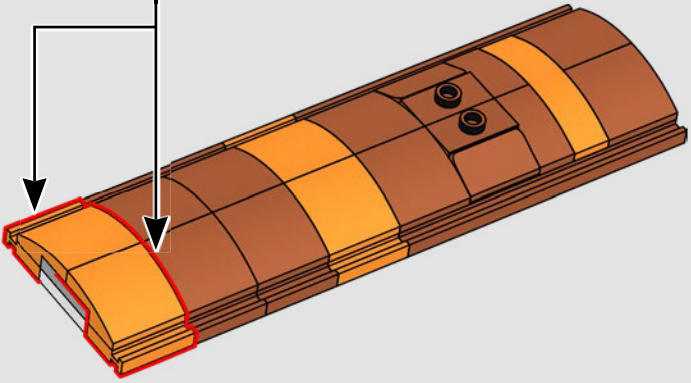
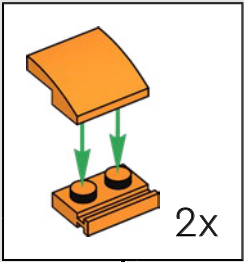


553

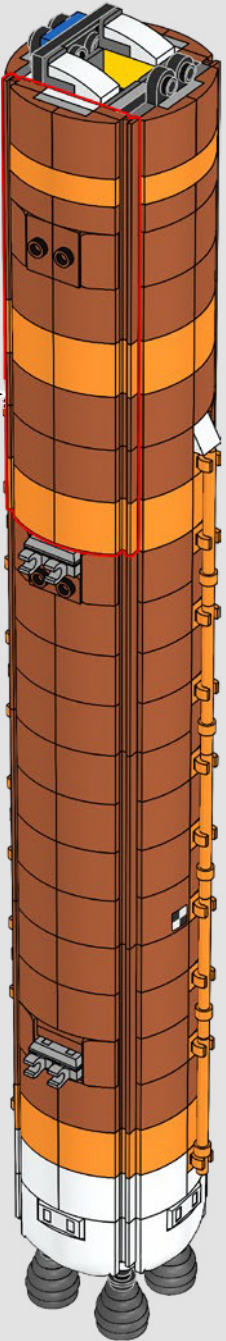


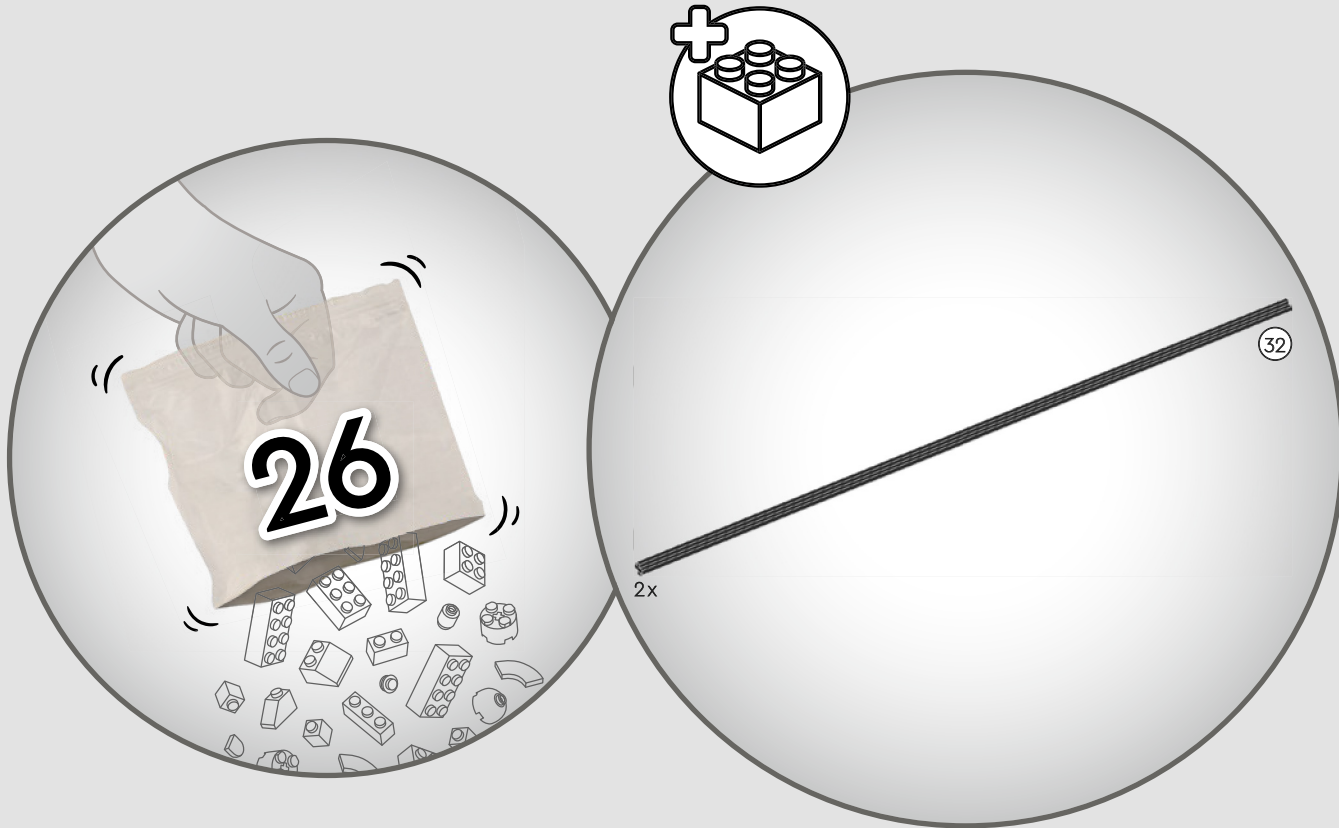


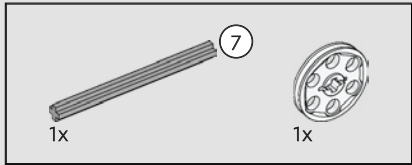
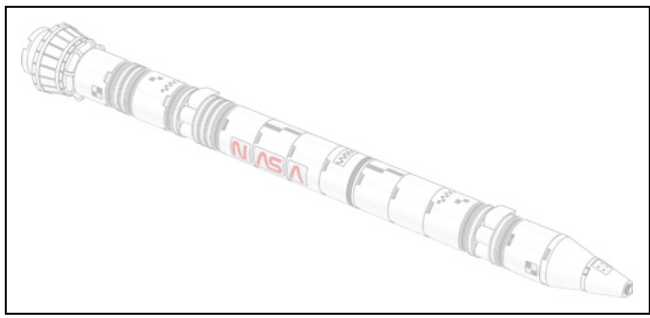
554



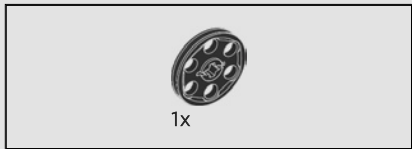
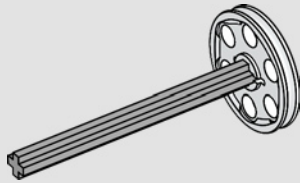
555



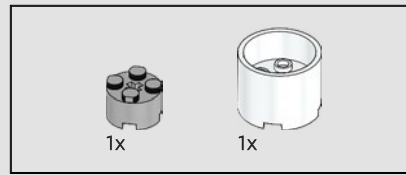
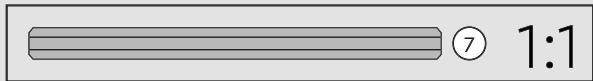
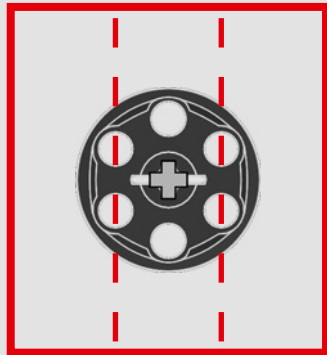
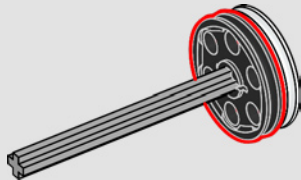




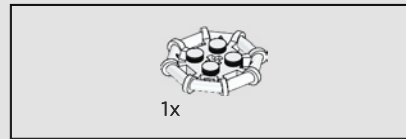
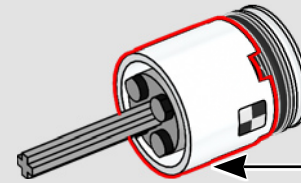
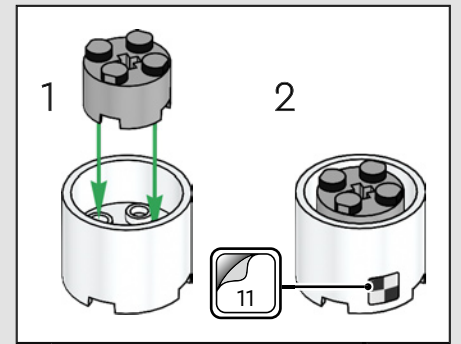
556



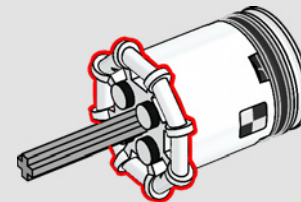
557

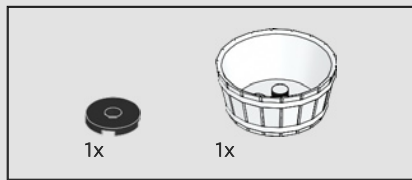


558

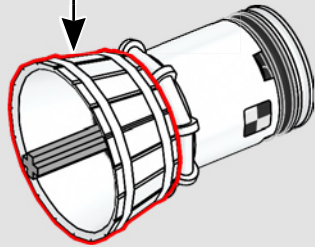
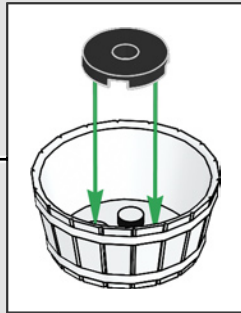


559

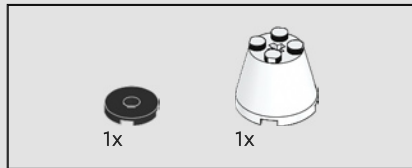
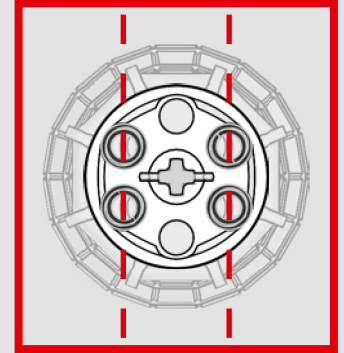
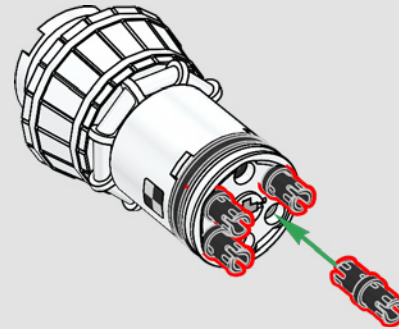




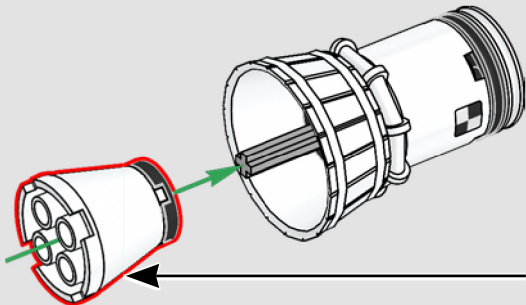
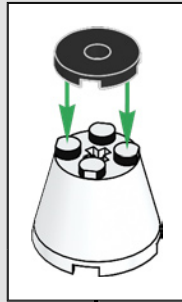
560



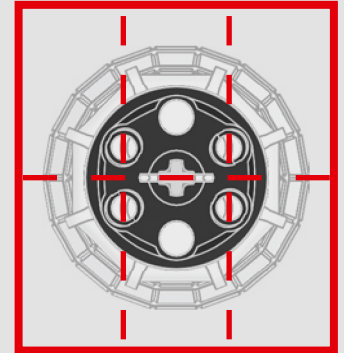
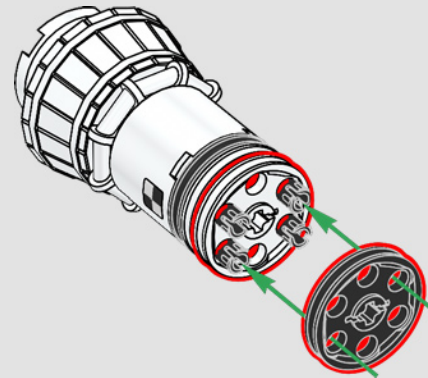
562



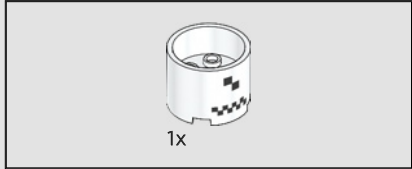
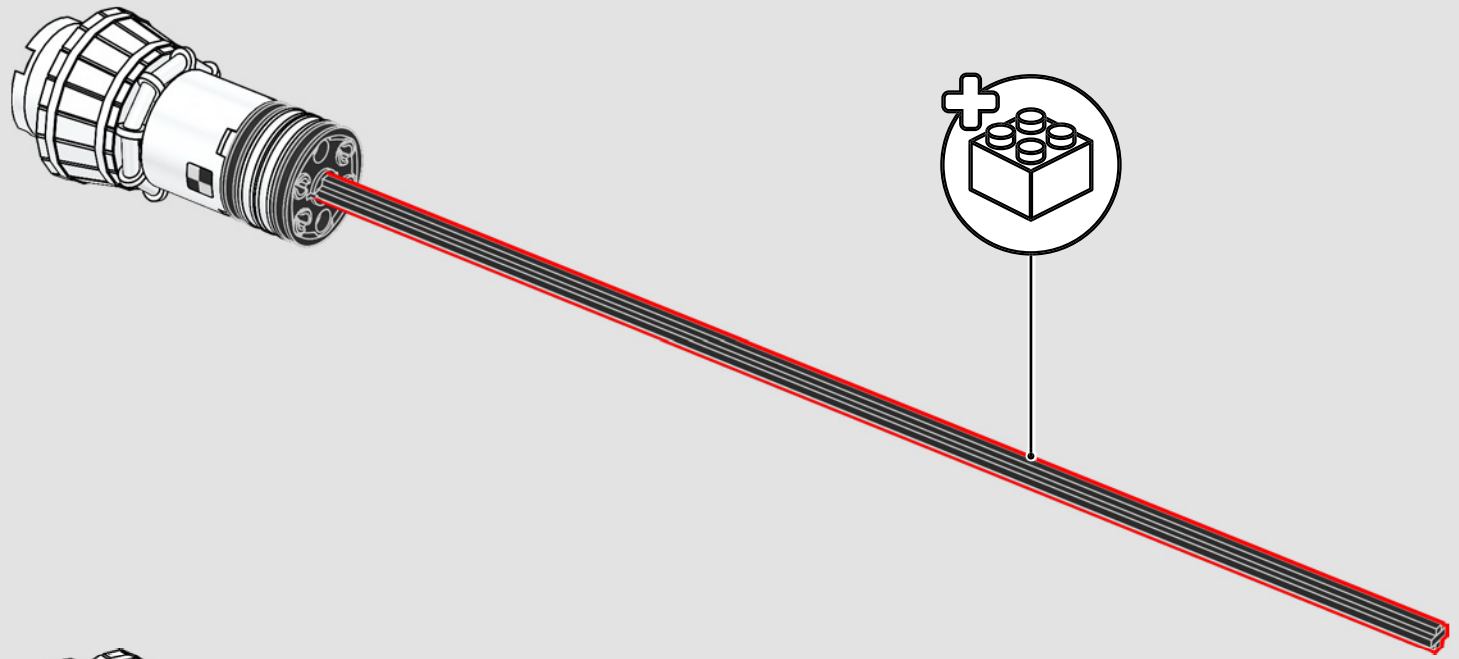
561



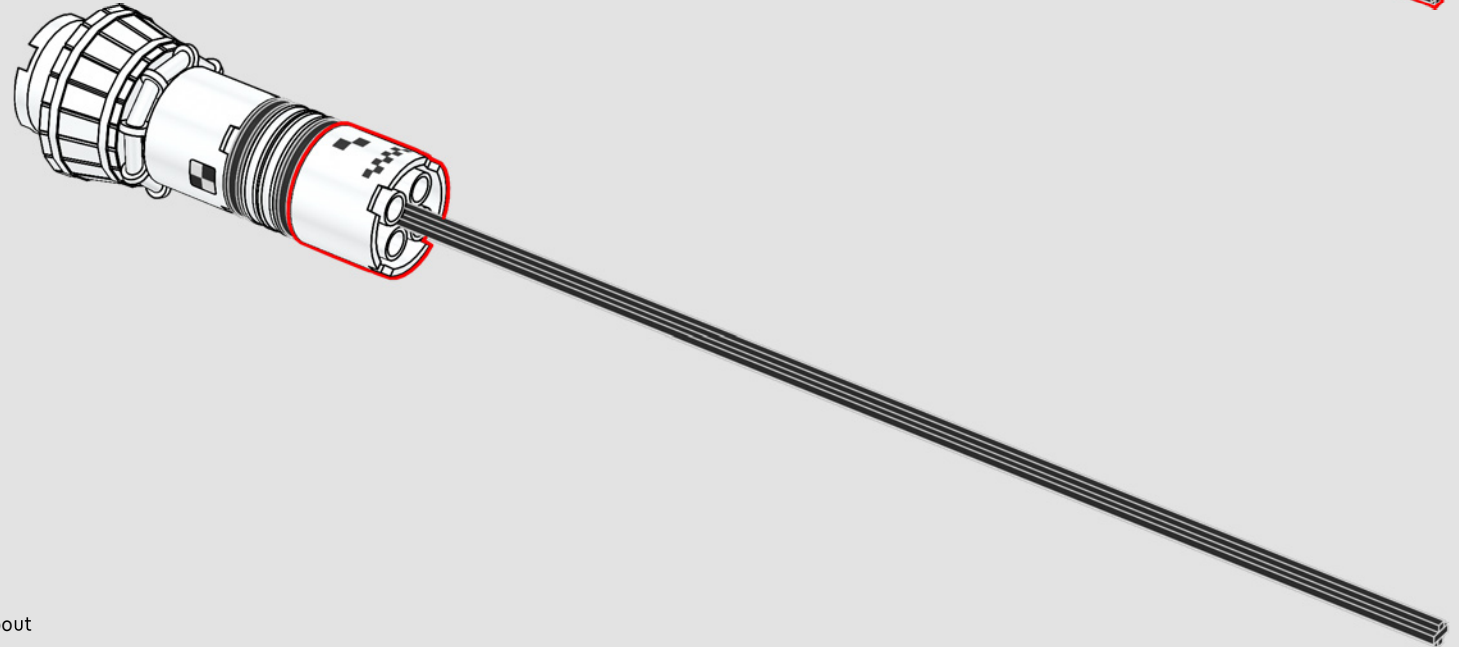
563



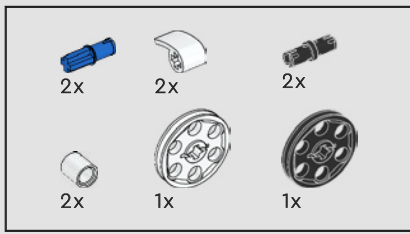
564



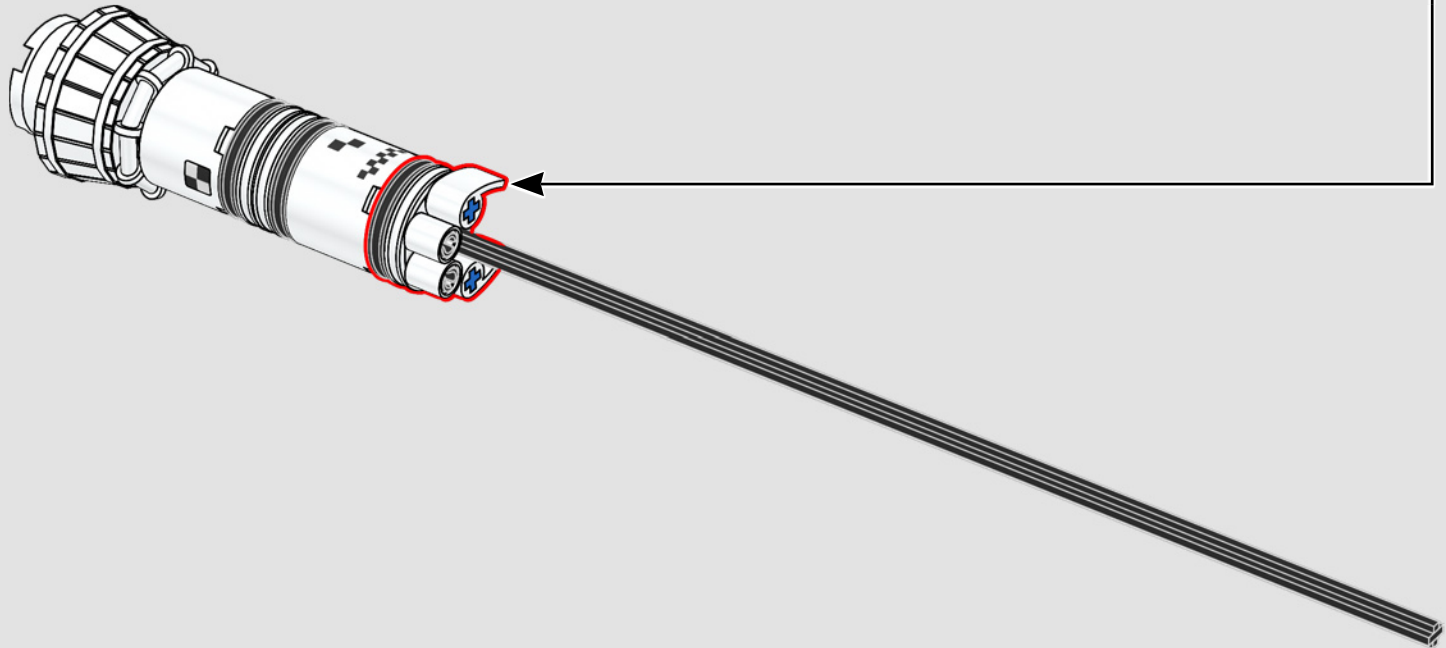
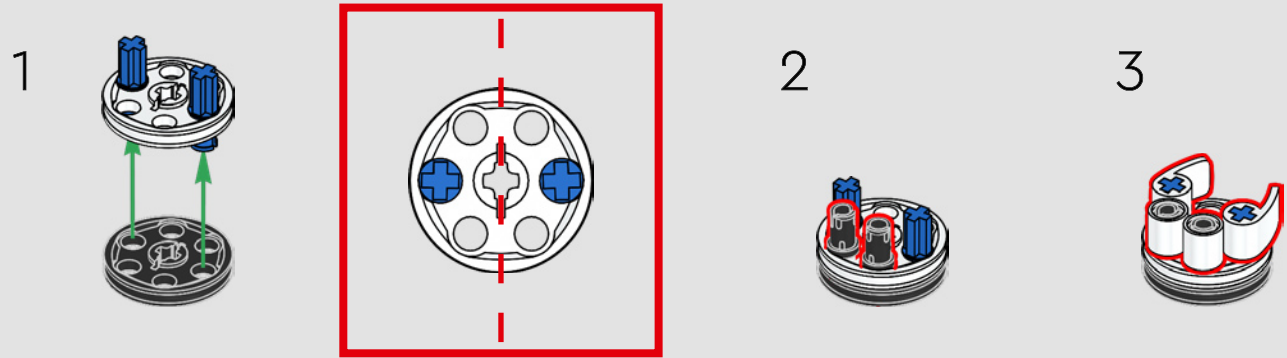
565



After the SLS launches, boosters operate for about two minutes, then separate from the core stage.



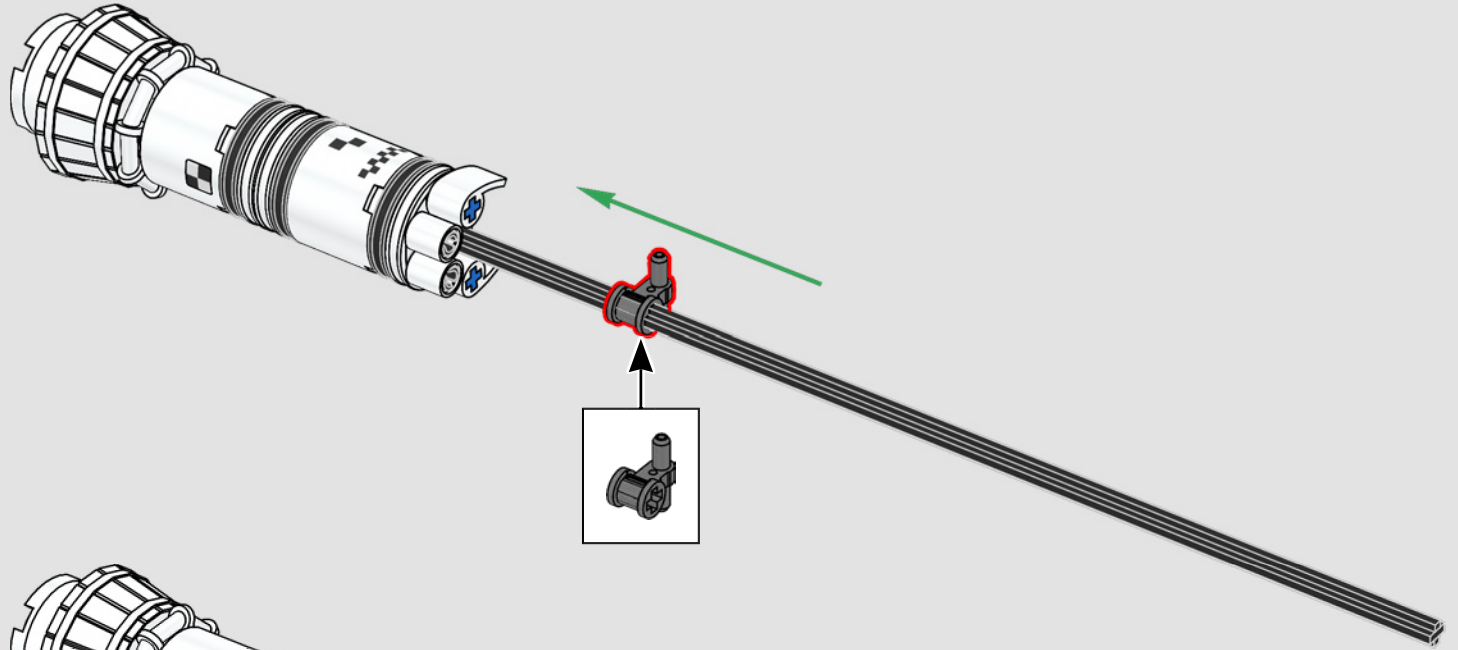
566





1x

567

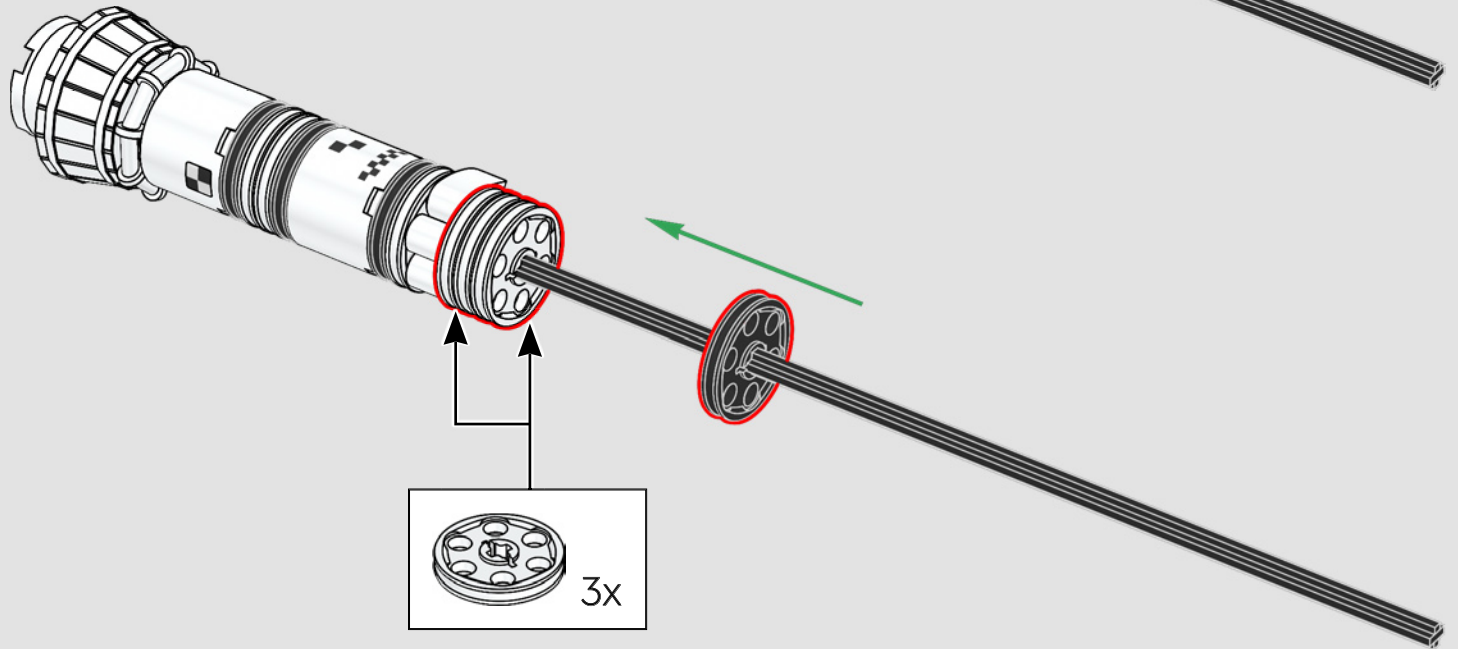


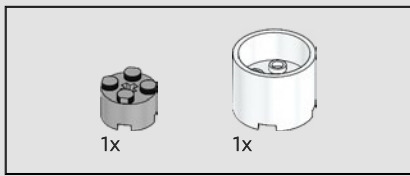
1x



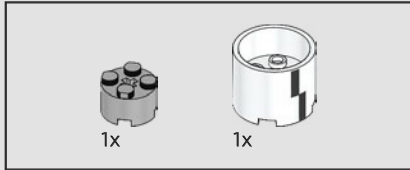
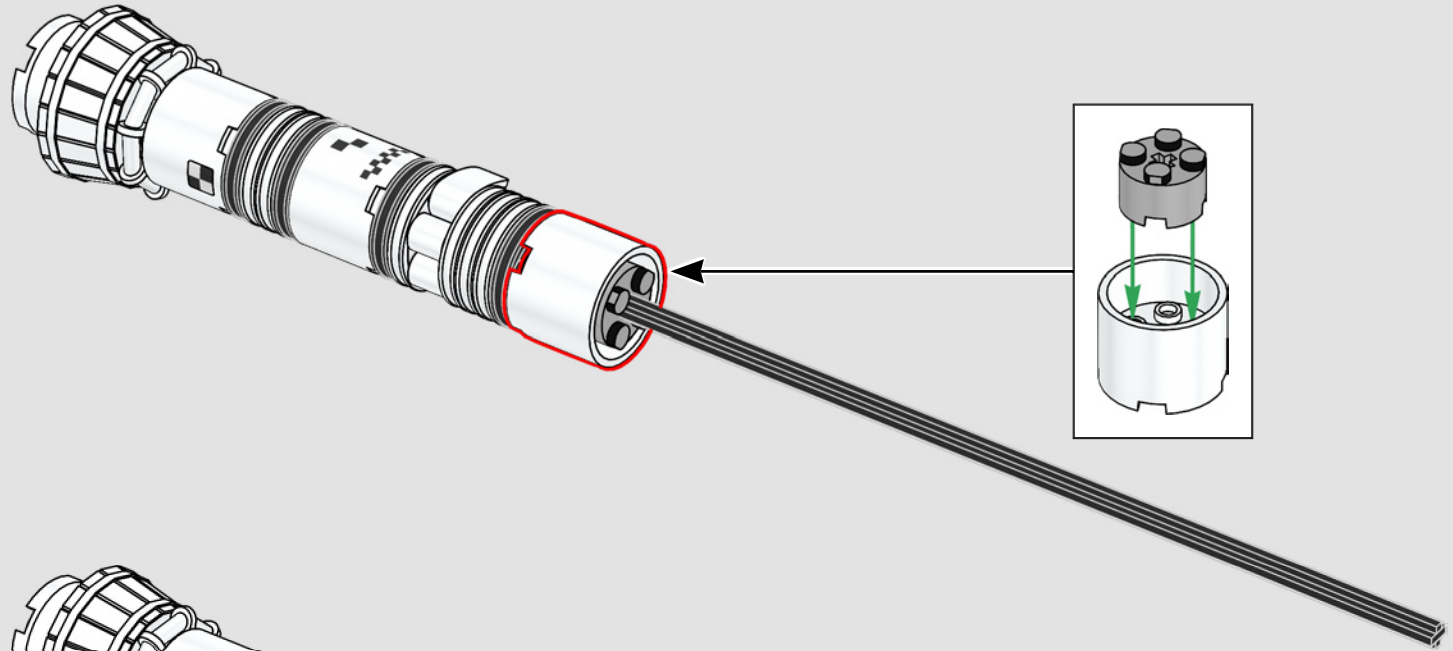
3x

568

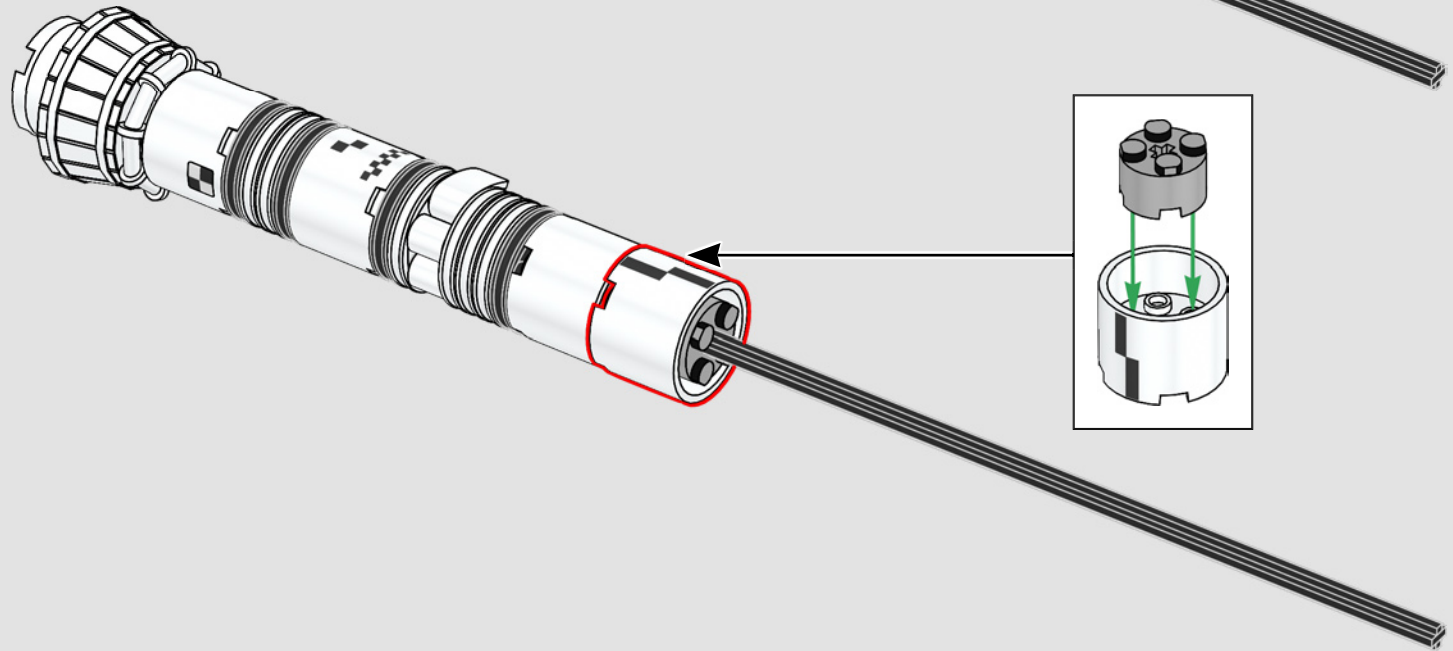


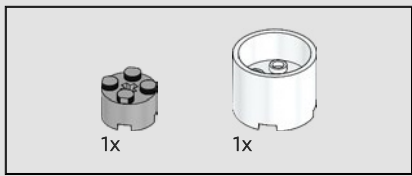


569

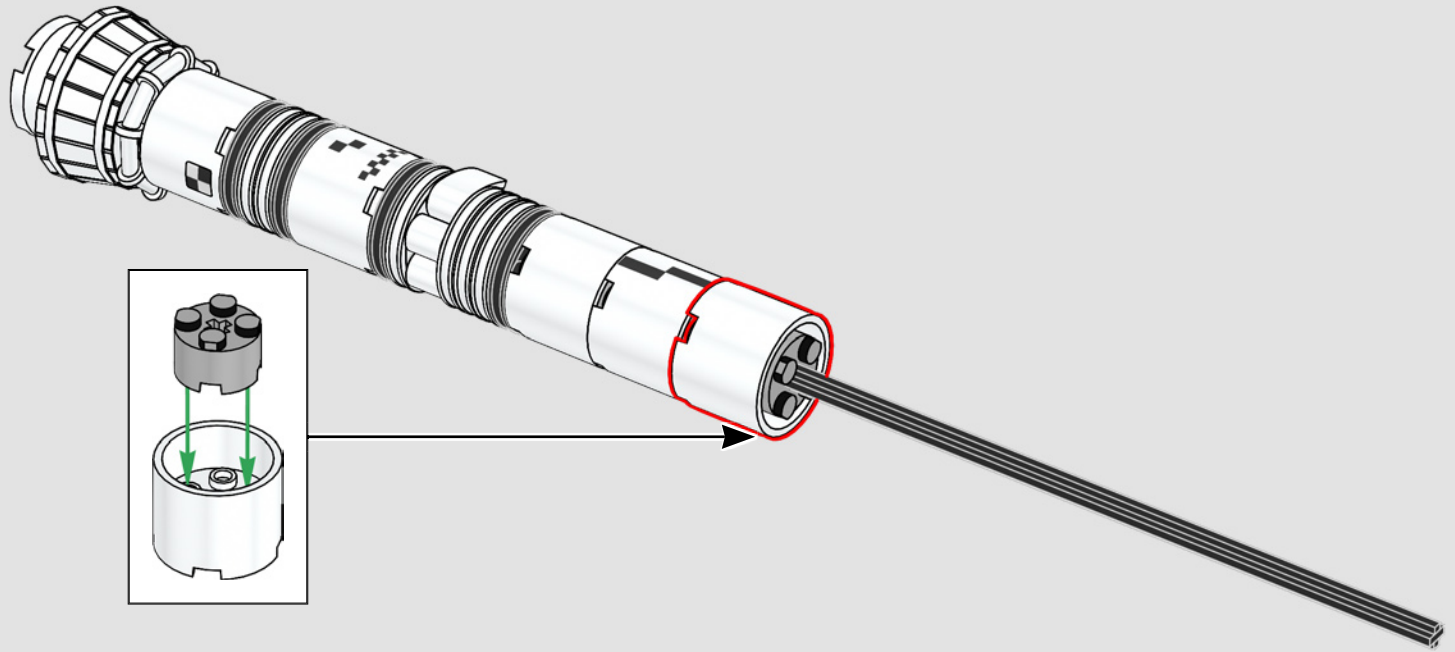


570

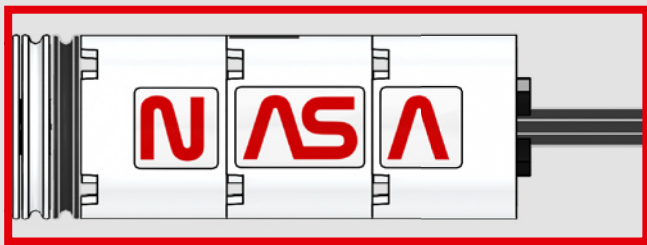
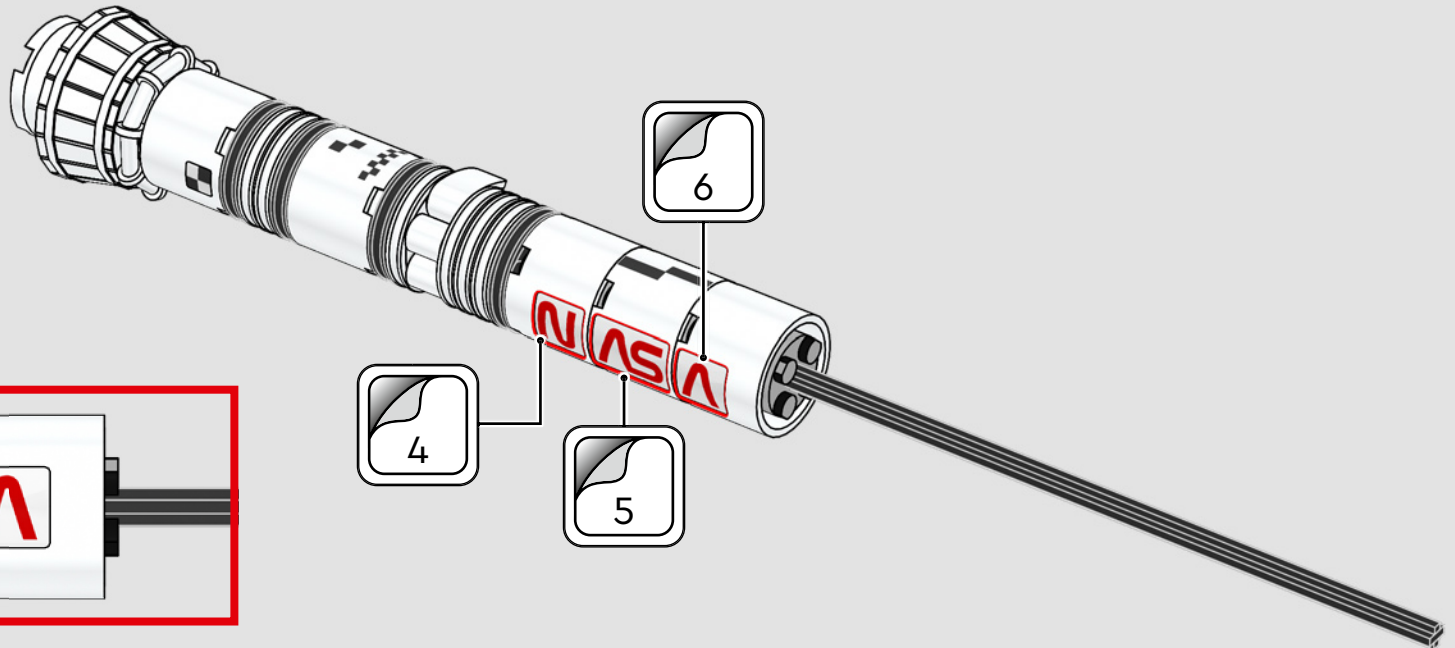


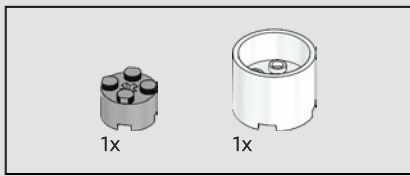


571

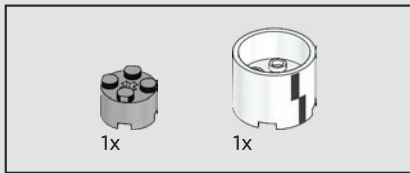
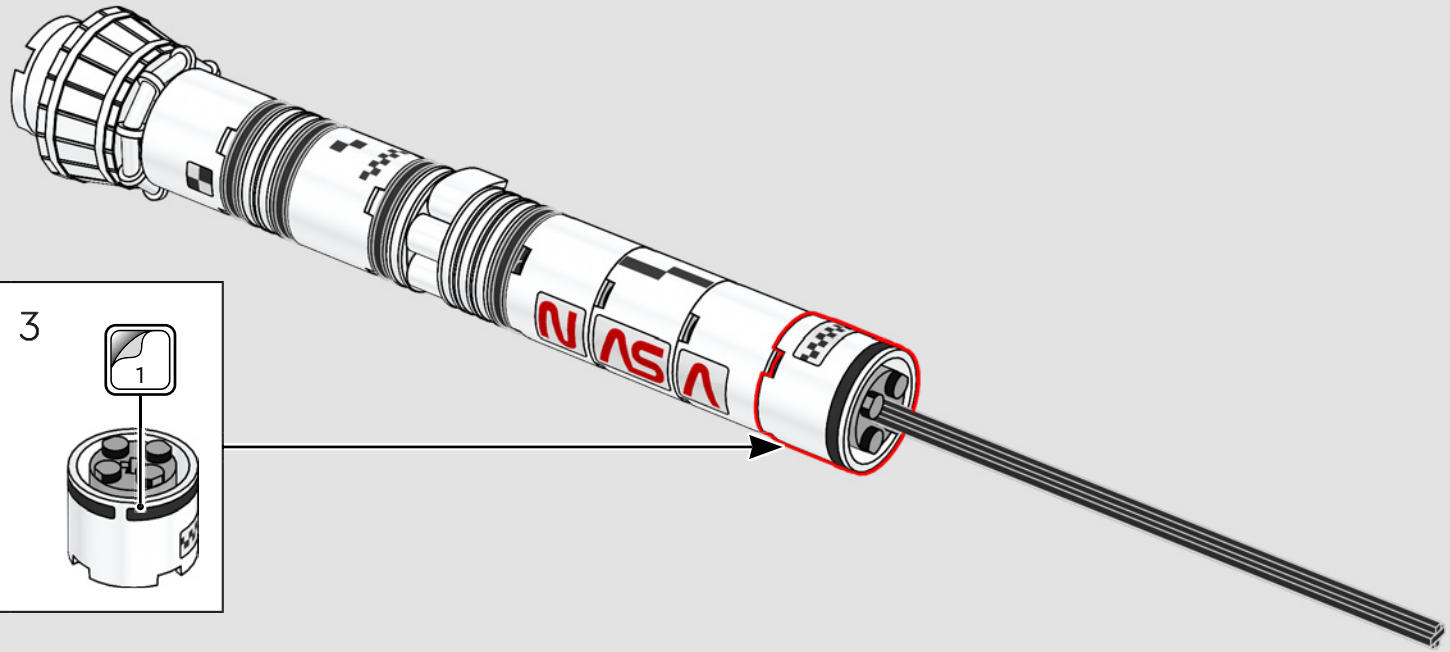
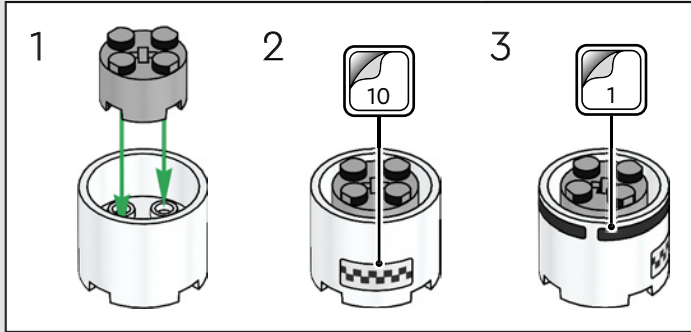


572

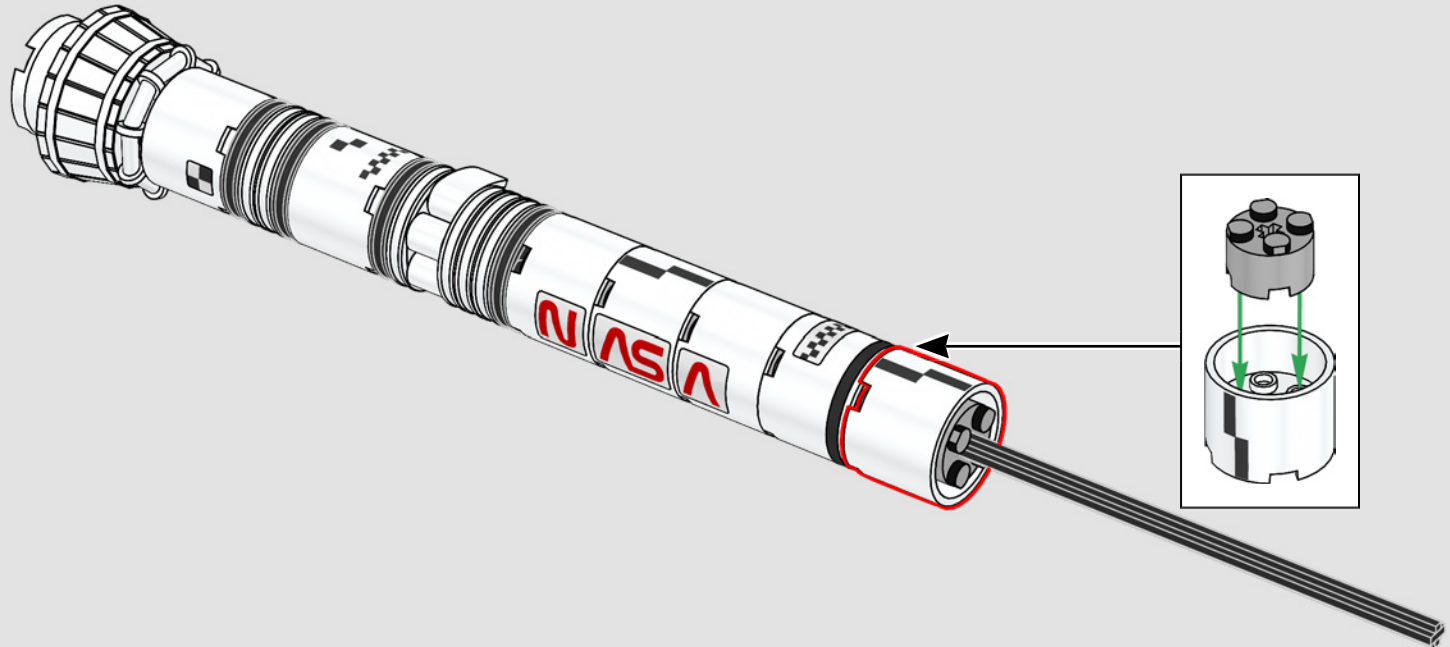


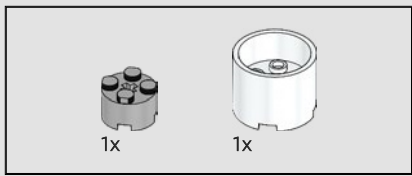


573

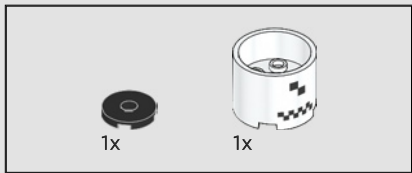
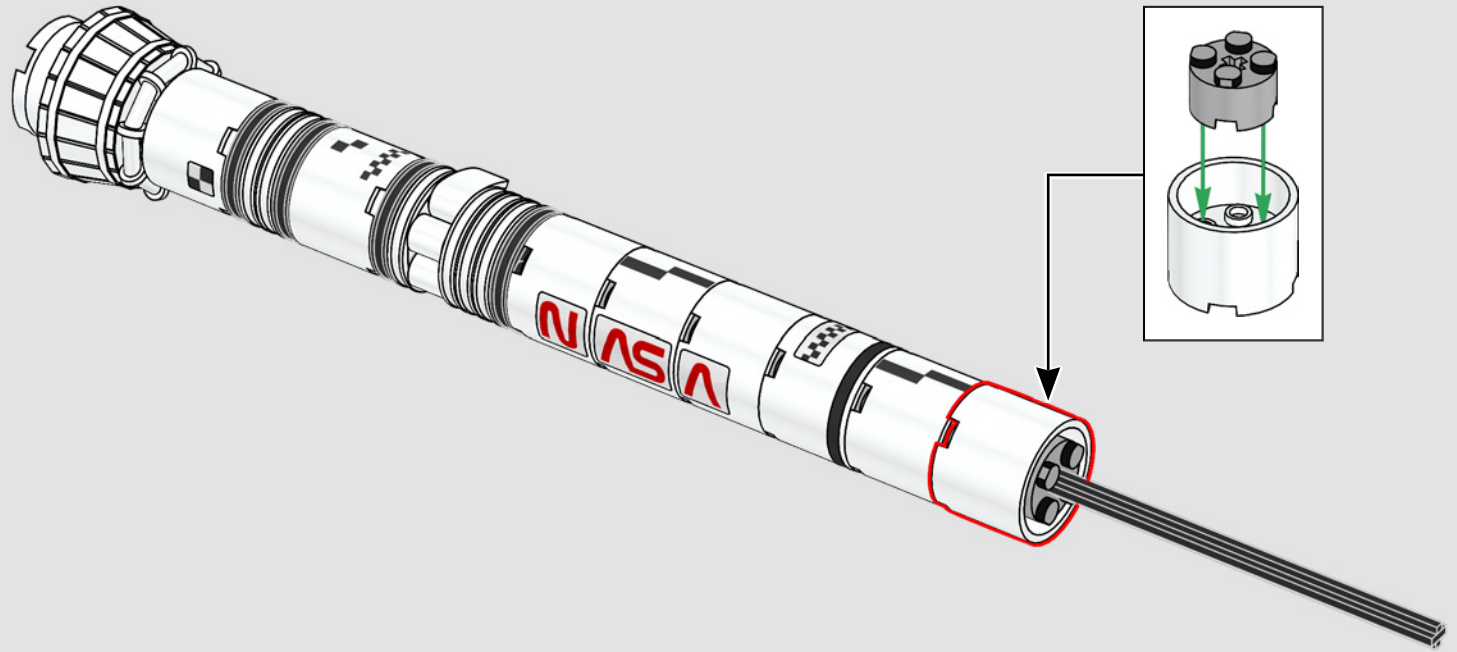


574

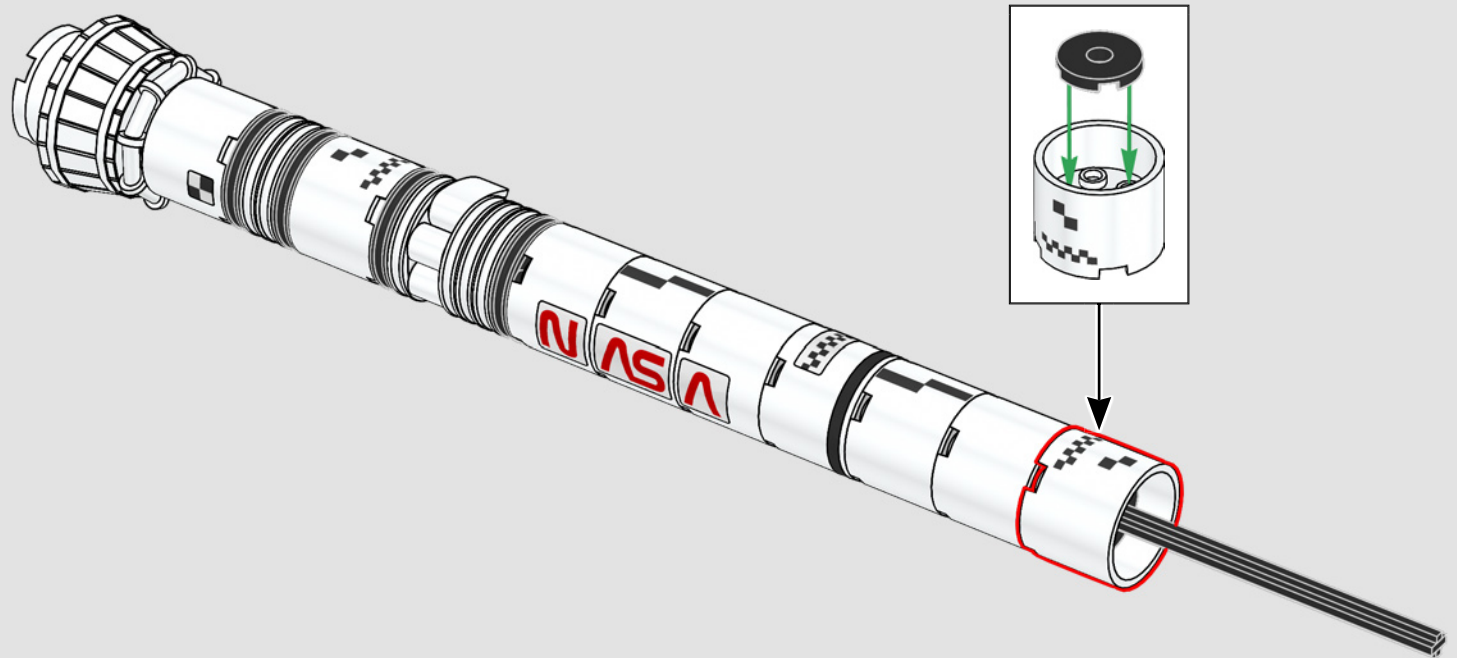


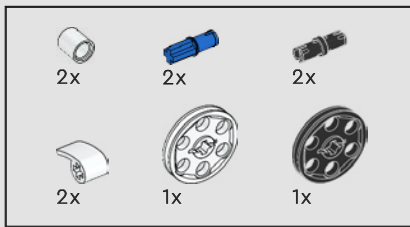


575



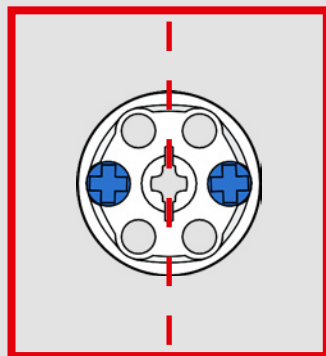
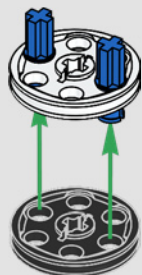
576



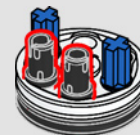


577

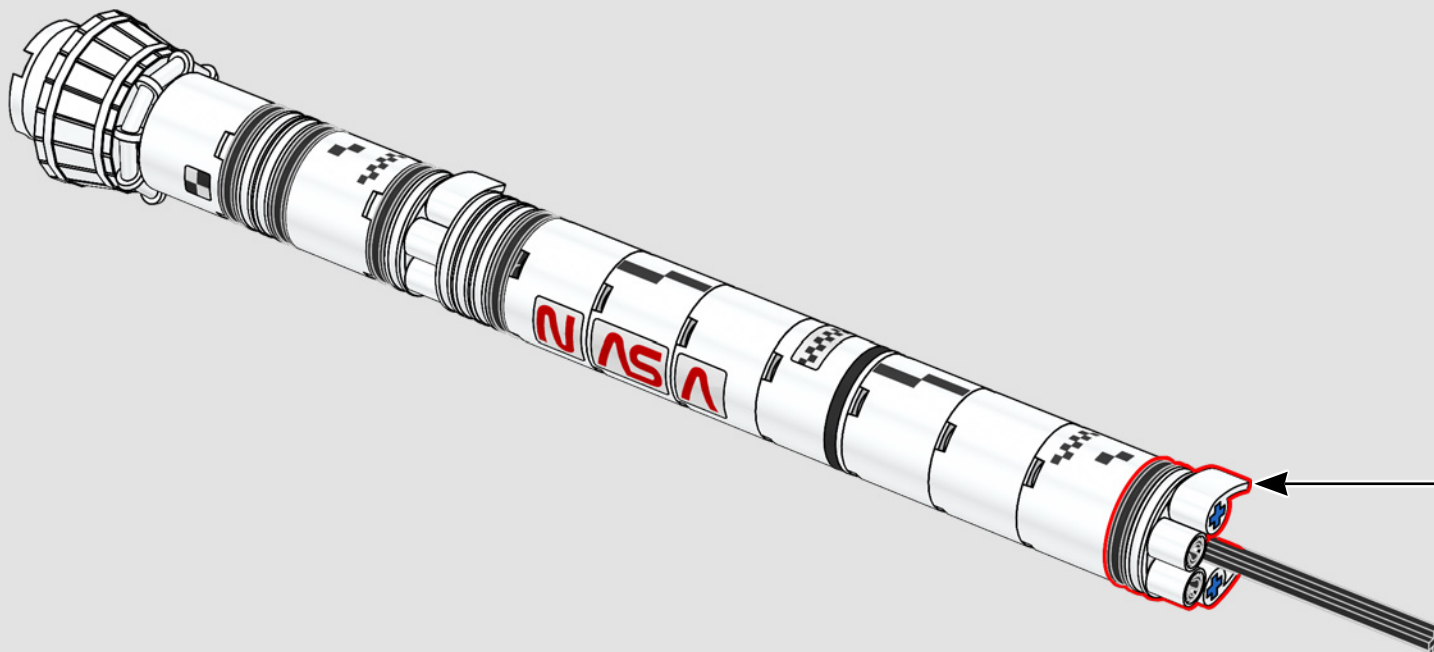
1



2



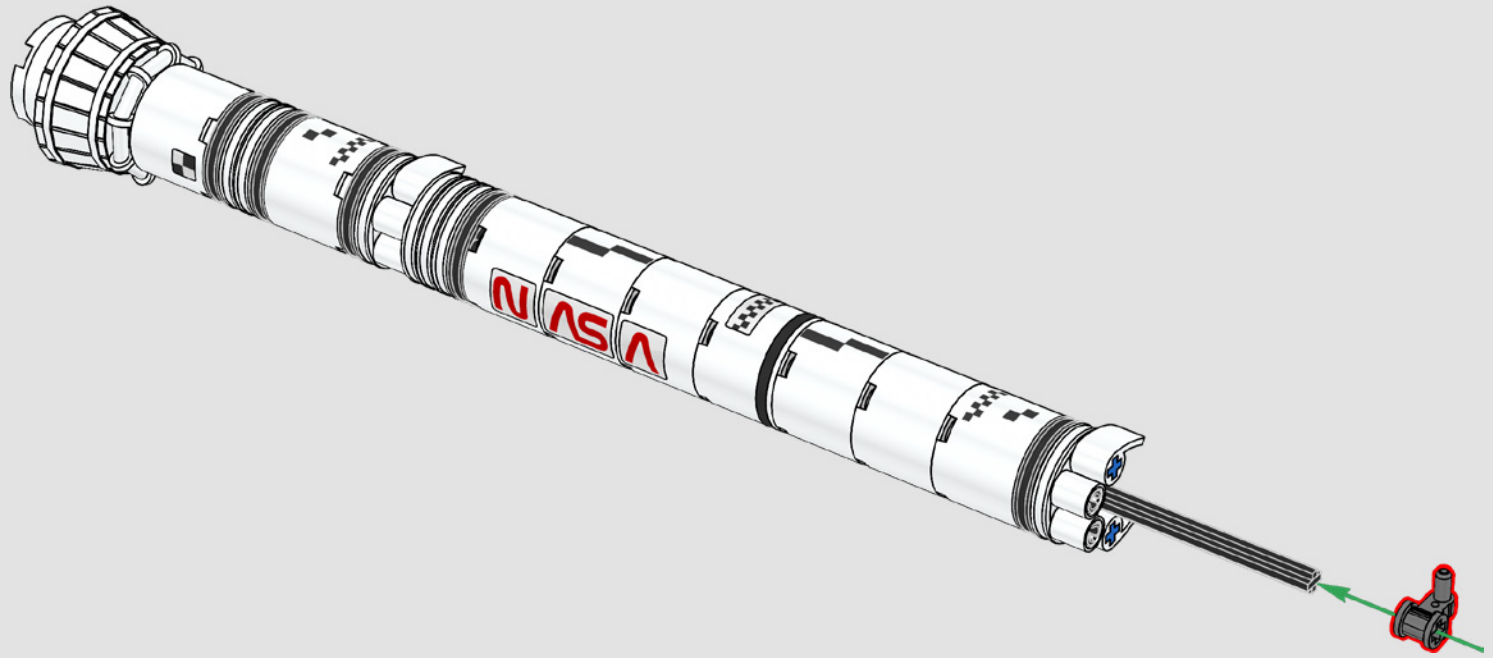
3





1x

578

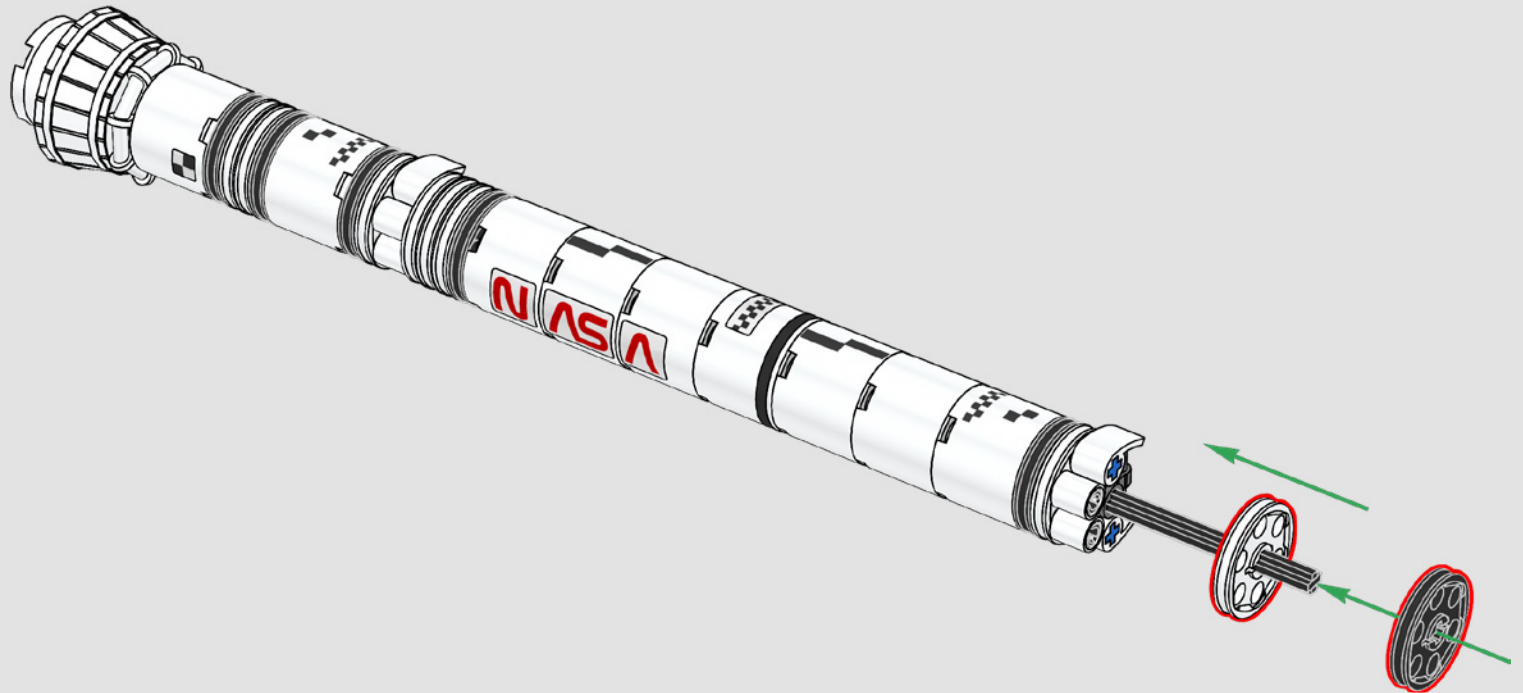


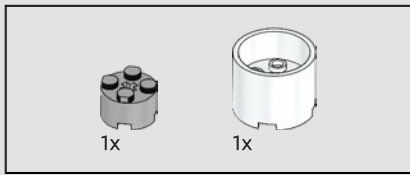
1x



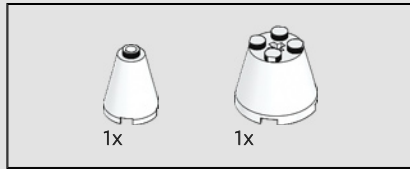
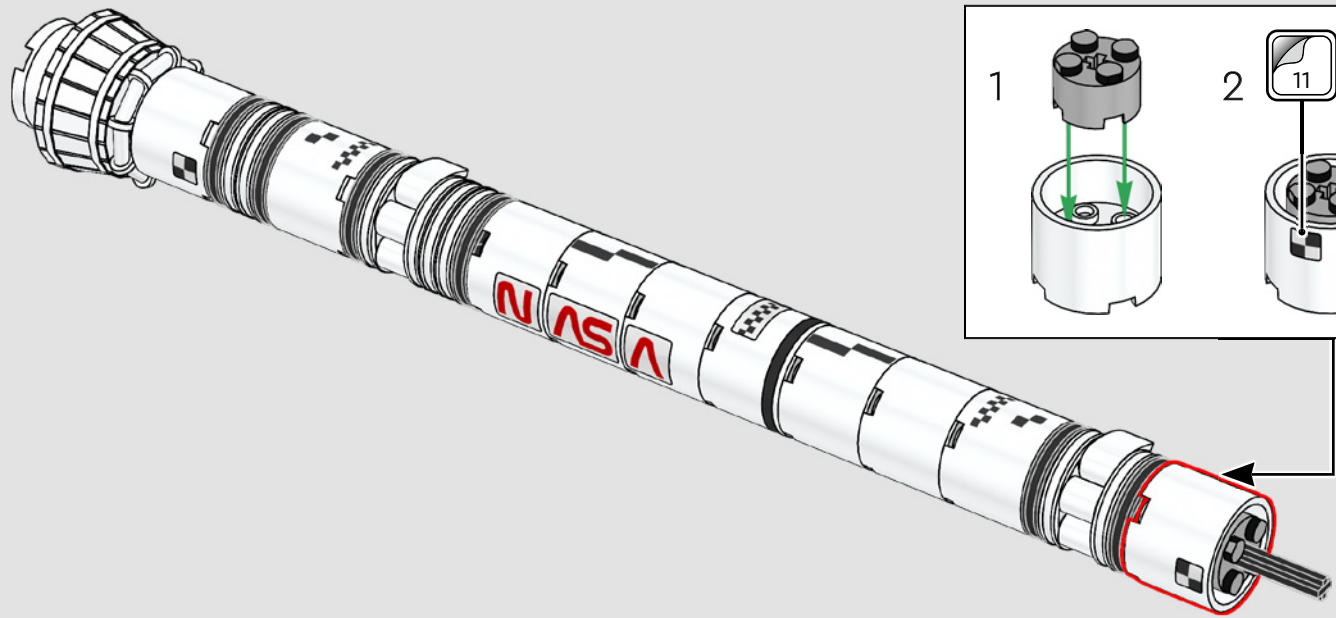
1x

579

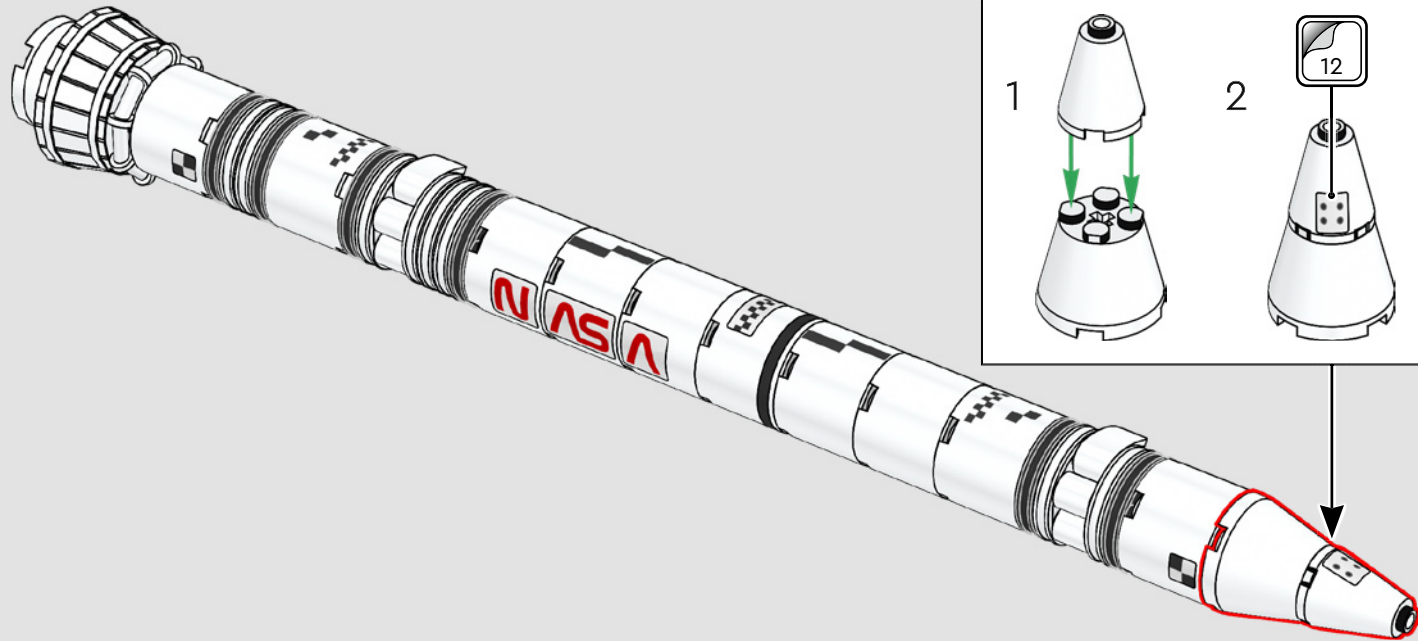




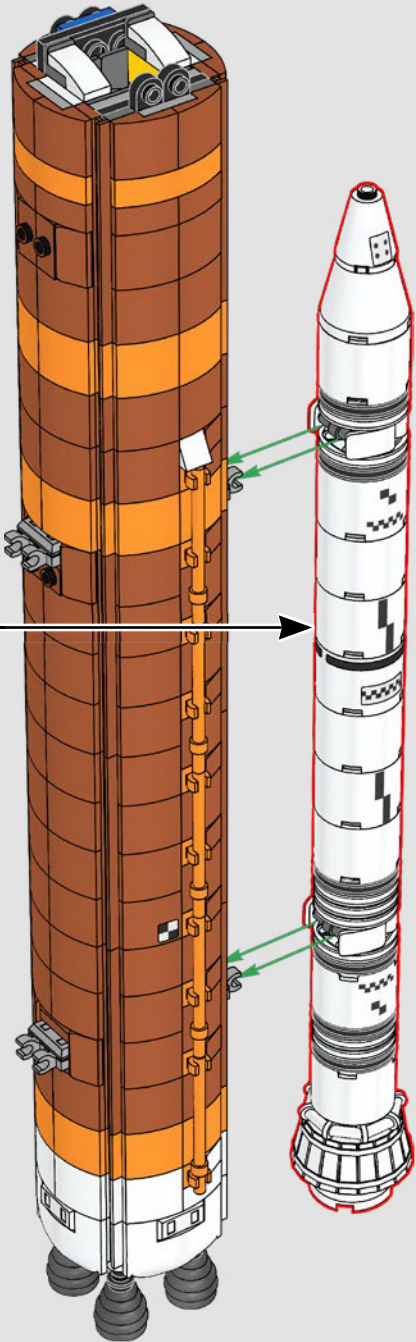
580

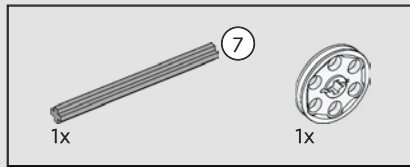
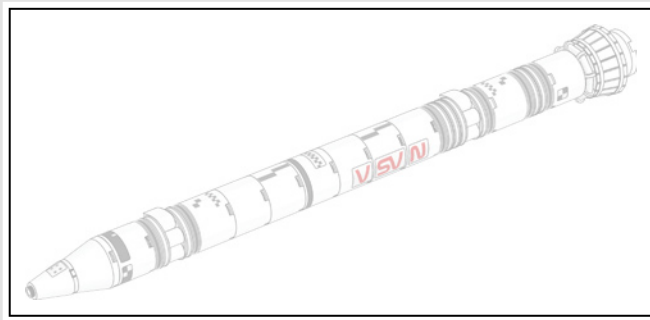


581

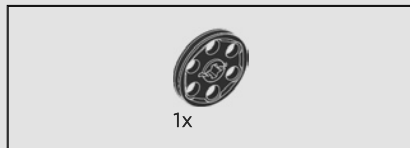
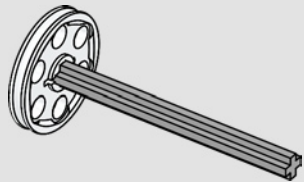


582

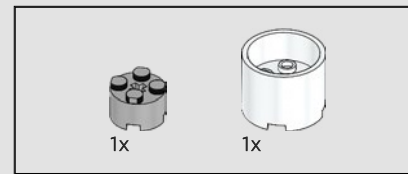
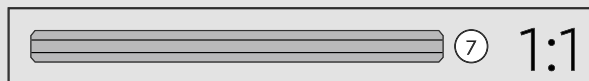
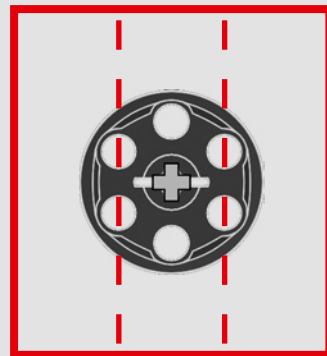
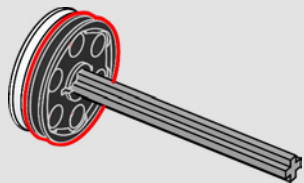




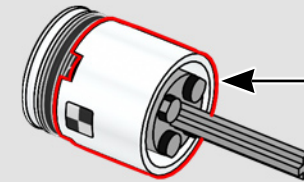
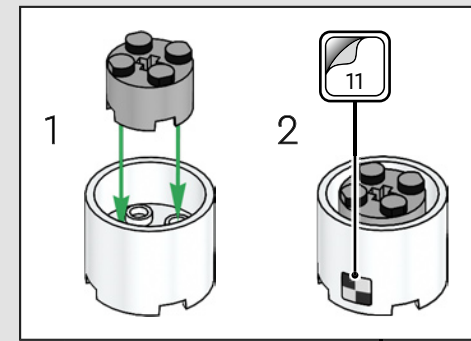
583



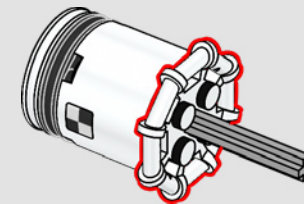
584

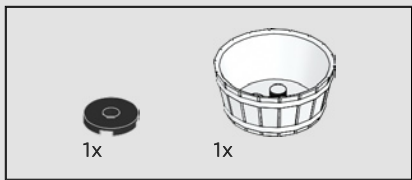


585

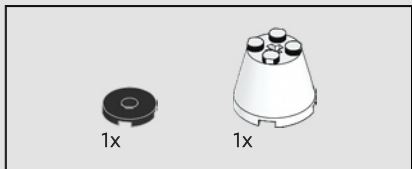
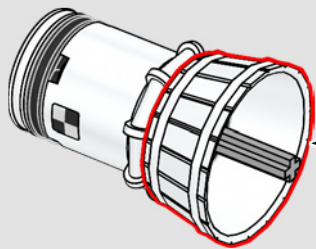
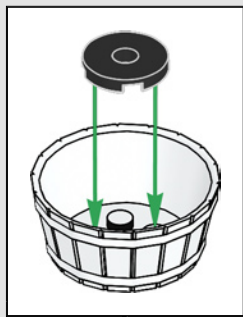


586

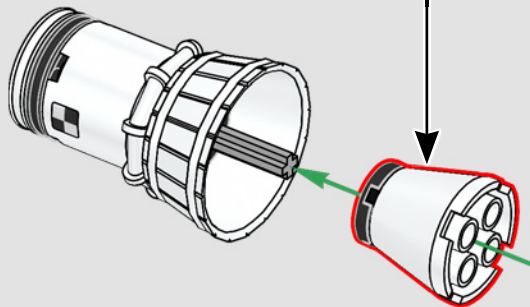
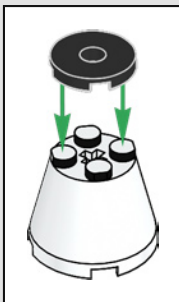




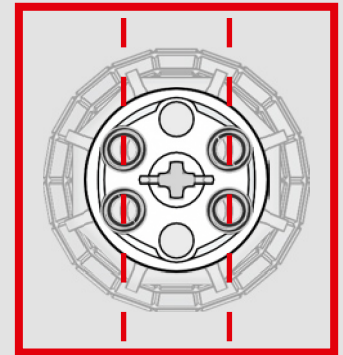
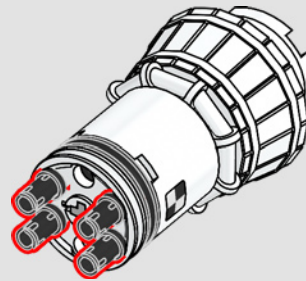
587



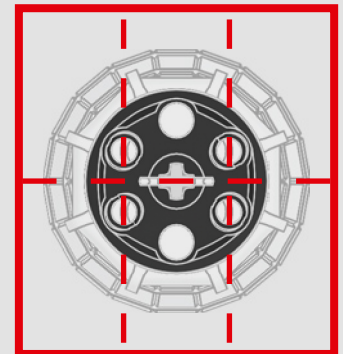
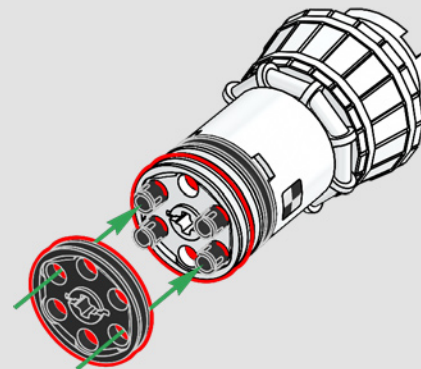
588



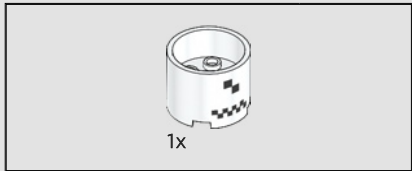
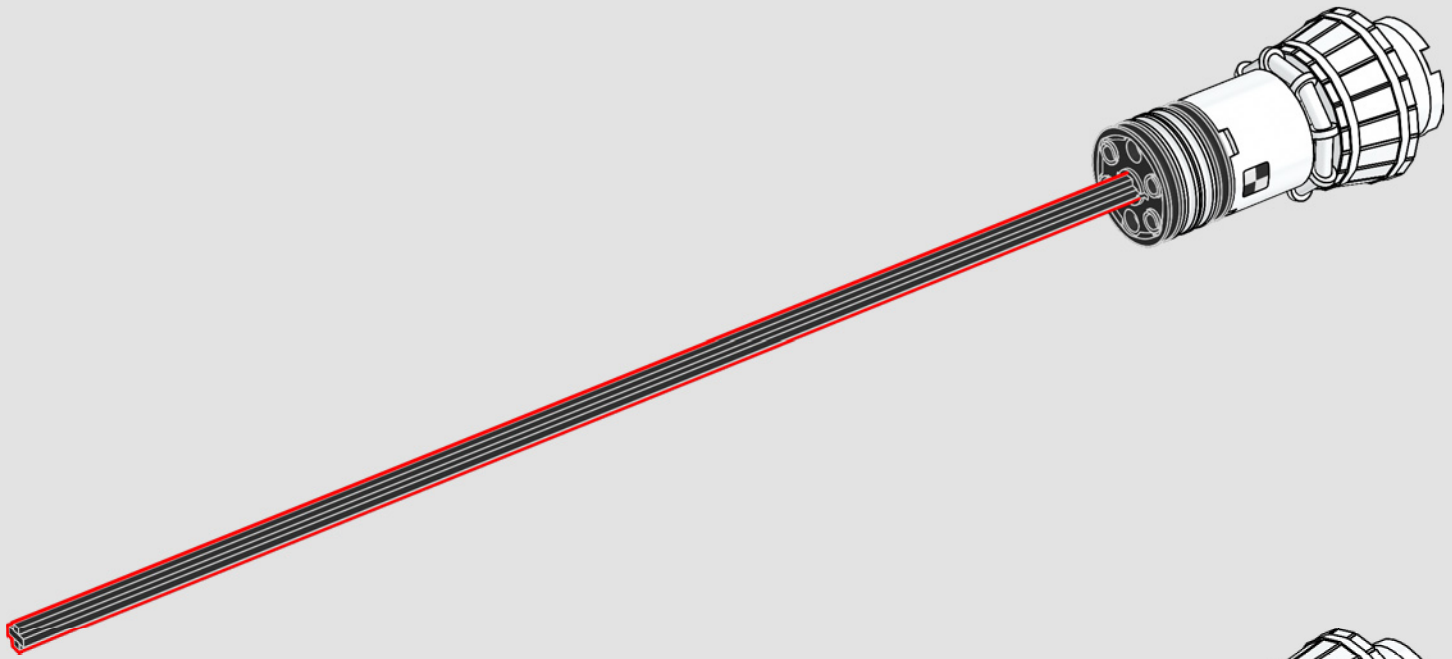
589



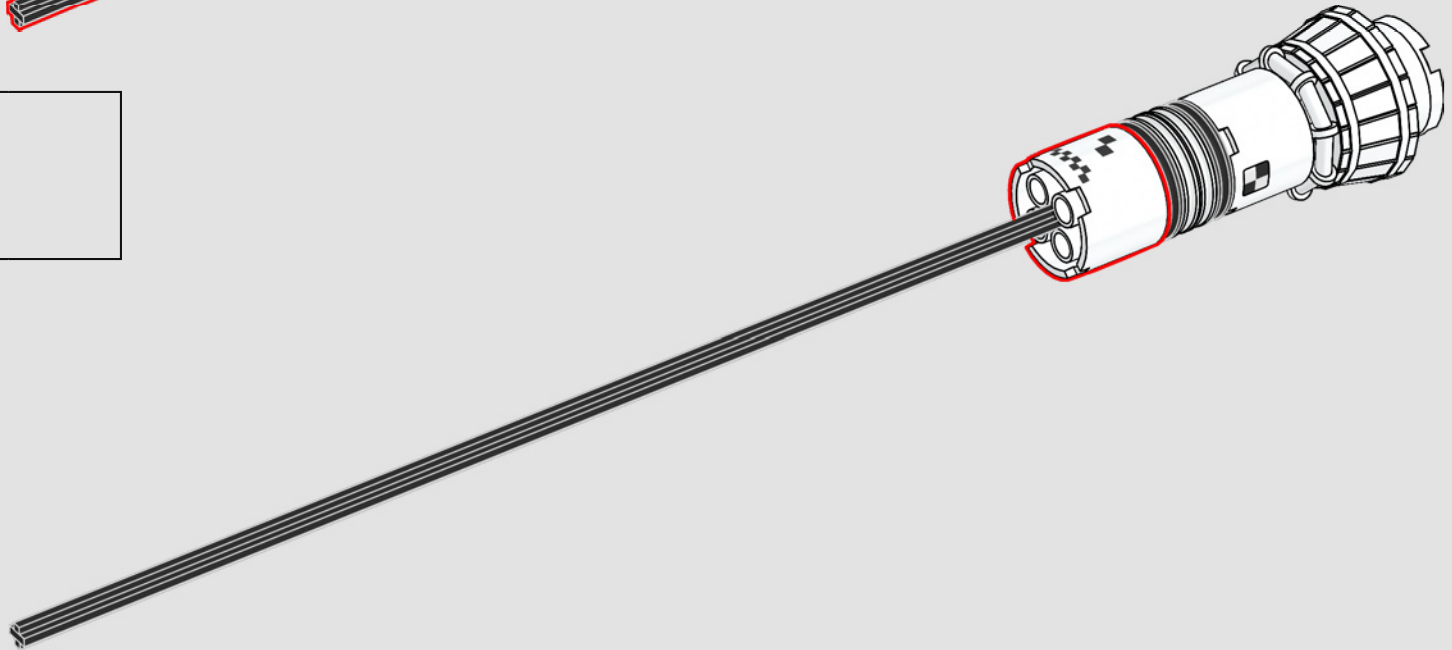
590

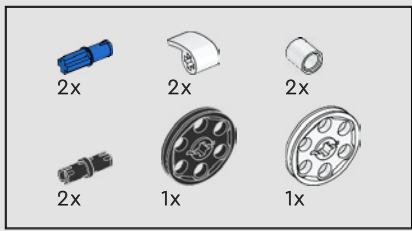


591



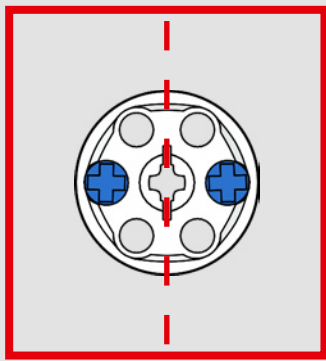
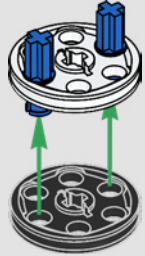
592



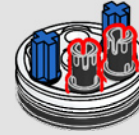


593

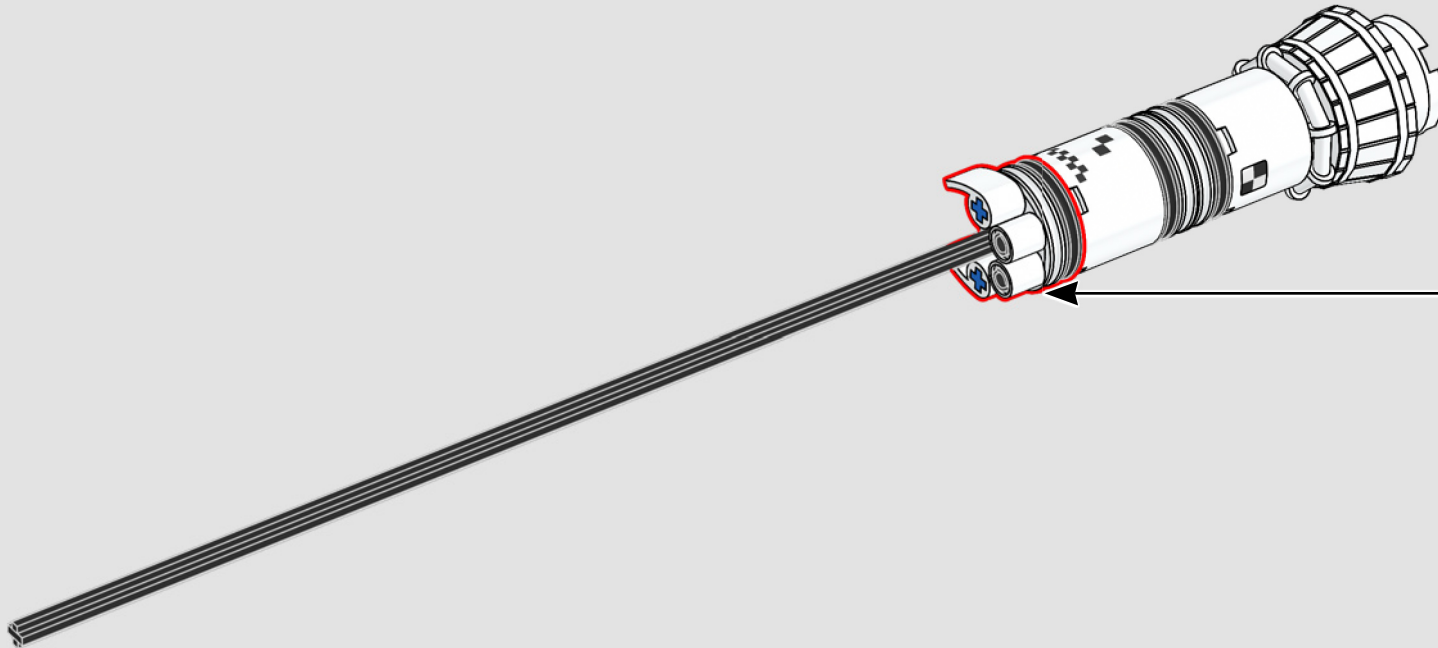
1



2

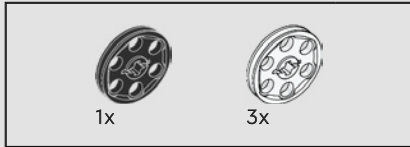
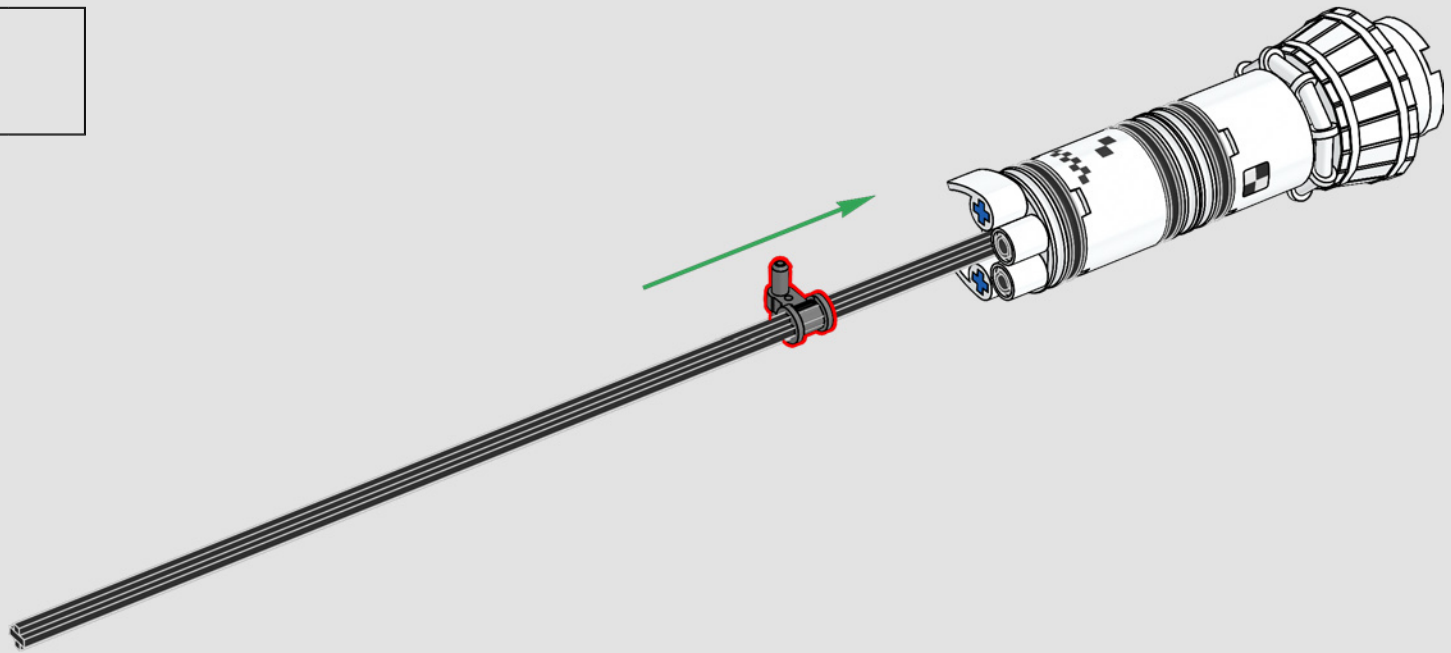


3

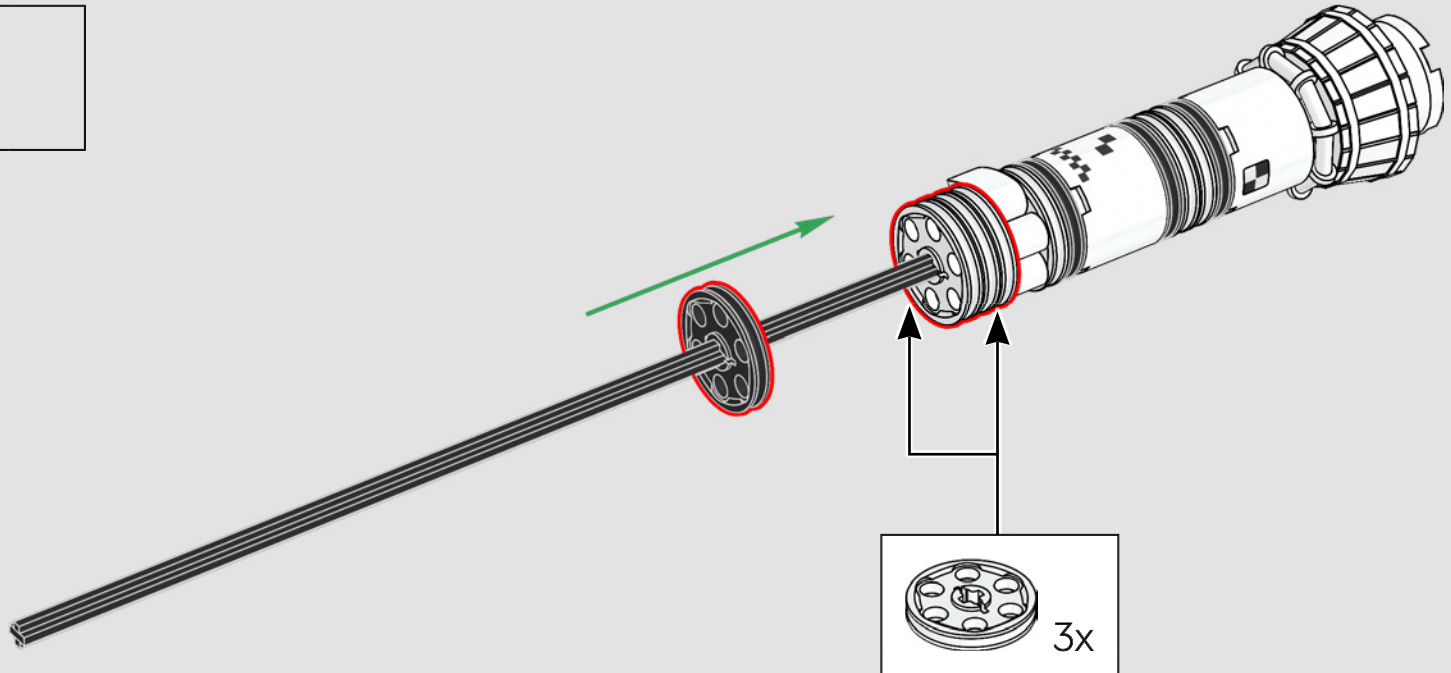


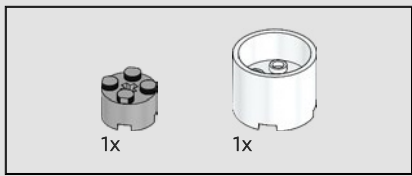


594

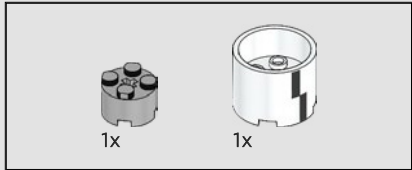
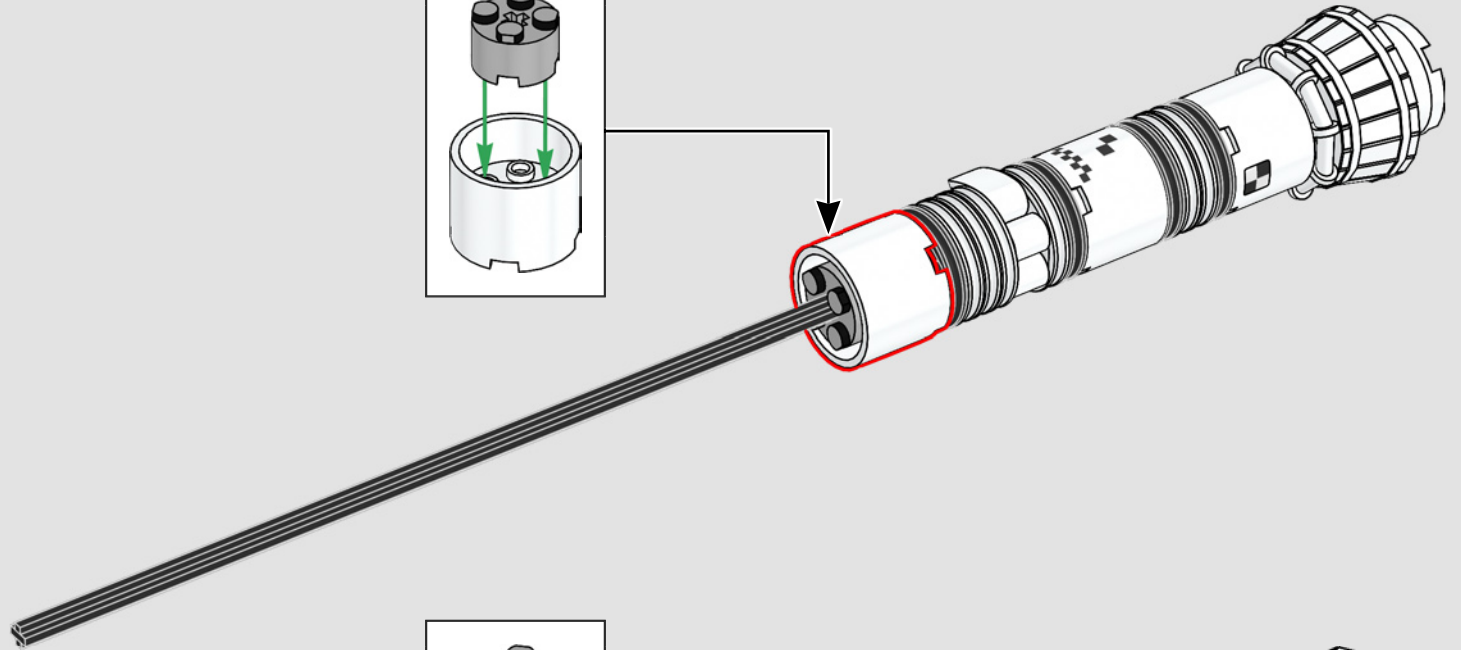
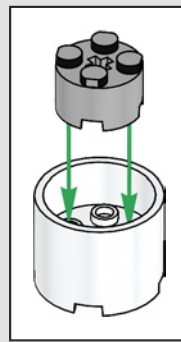


595

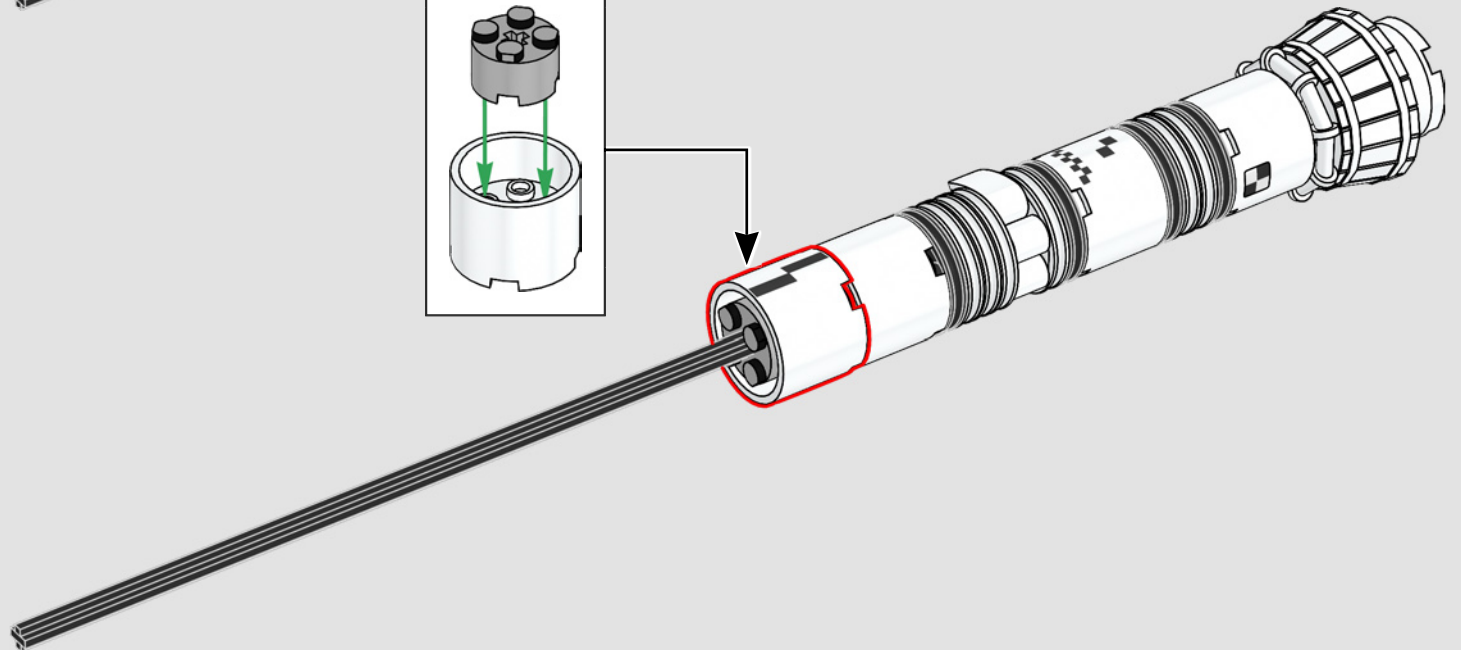
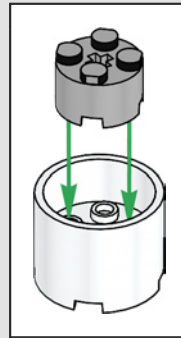


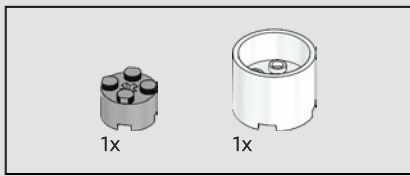


596

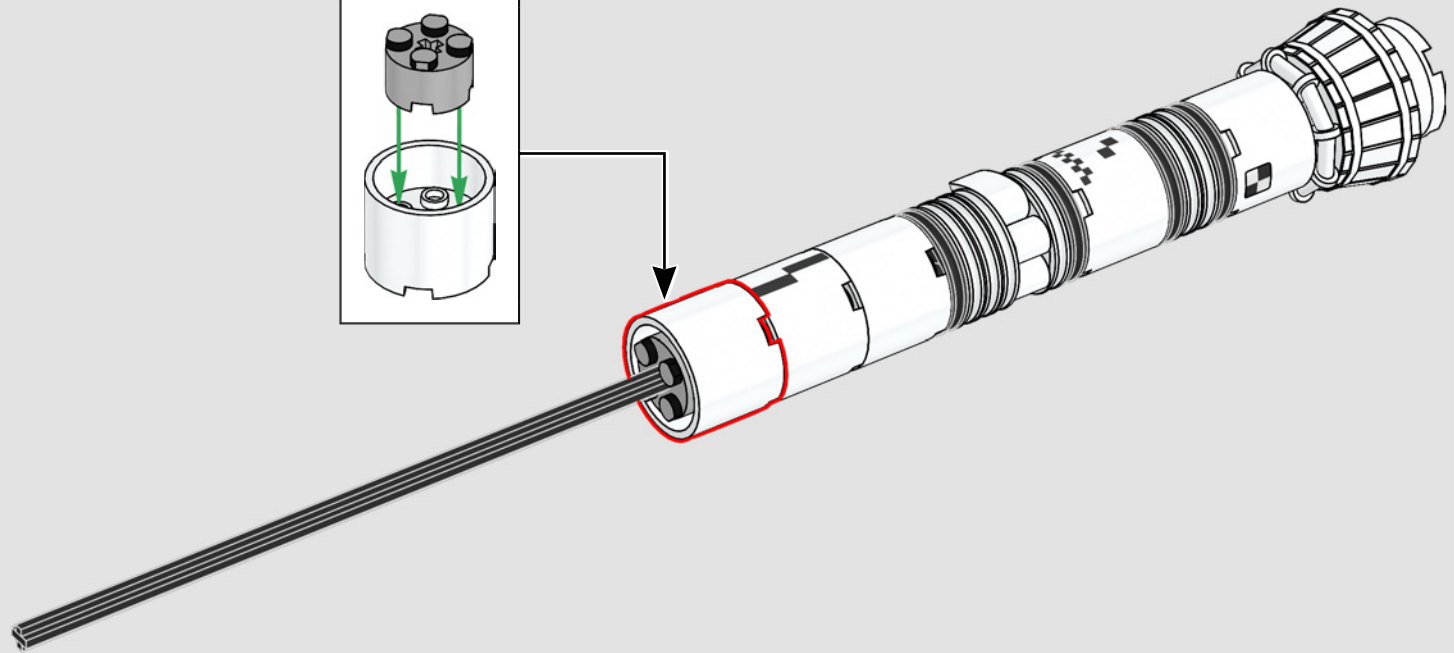
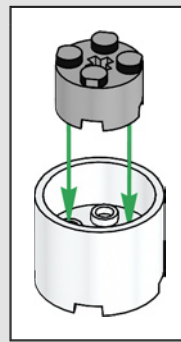


597

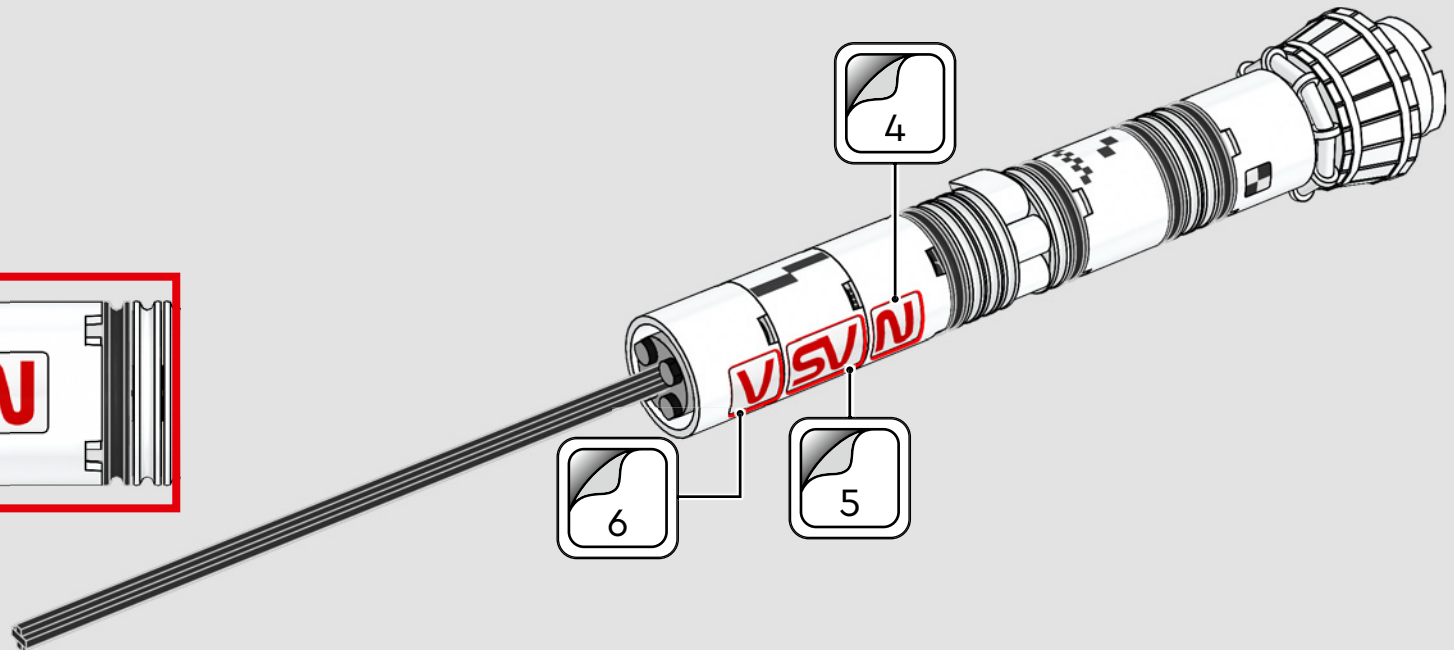
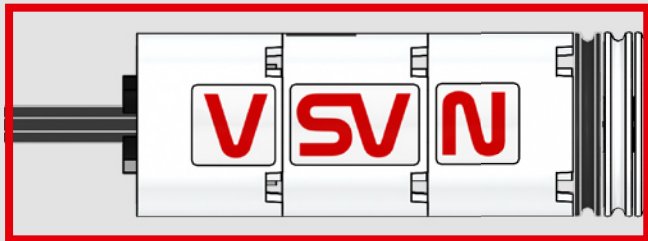


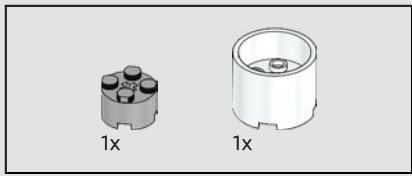


598

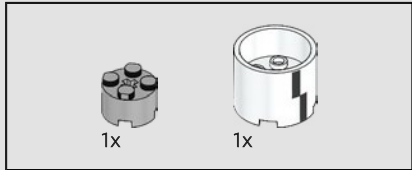
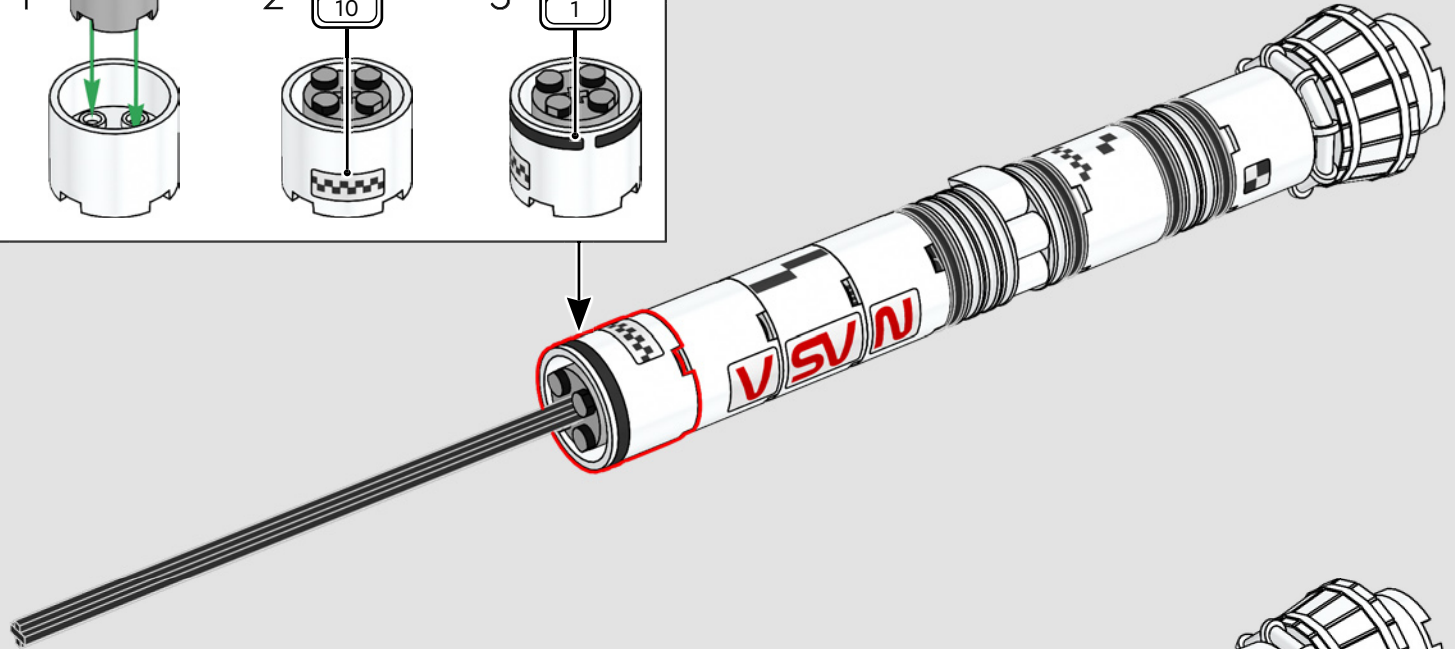
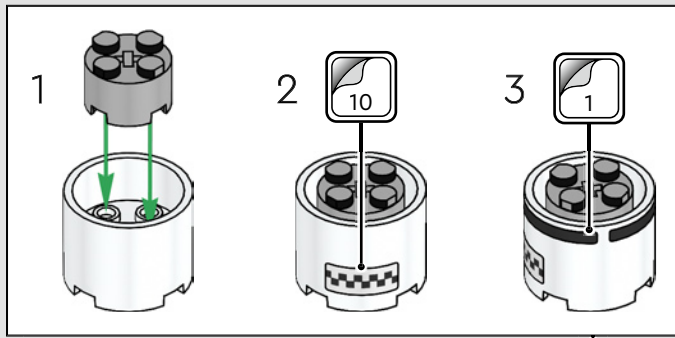


599

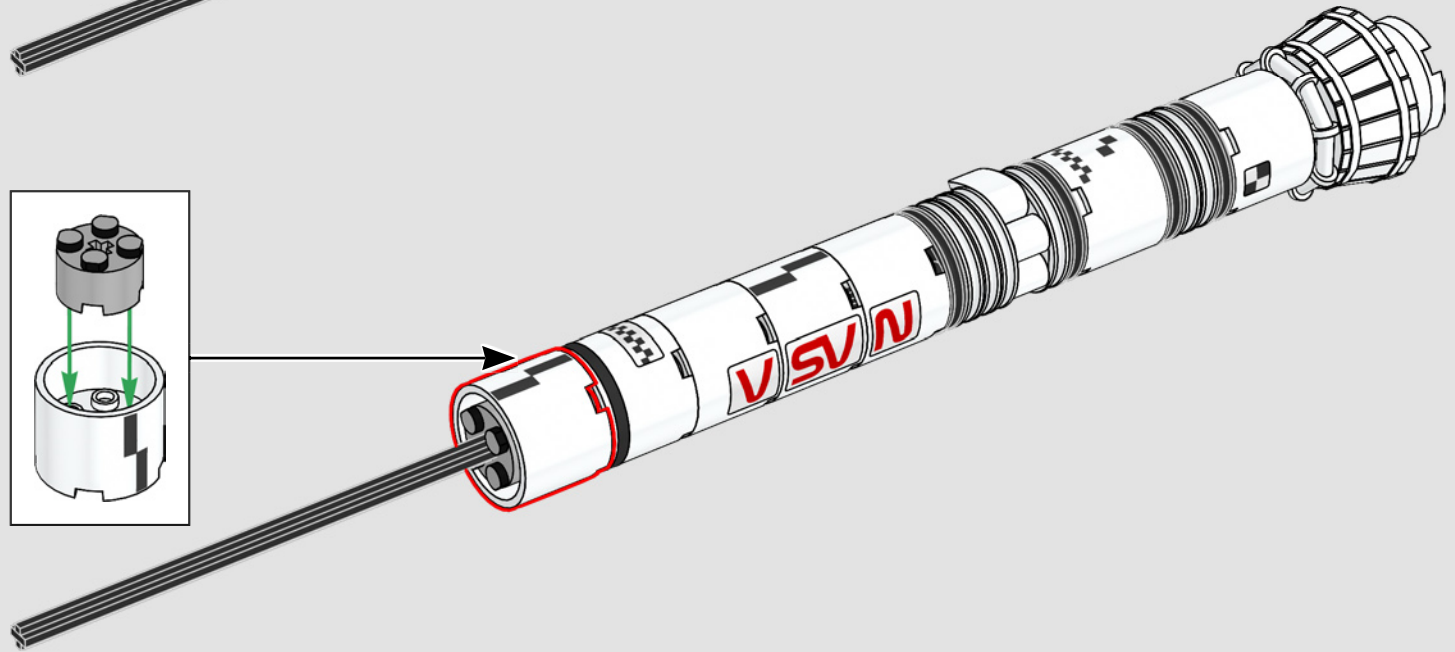
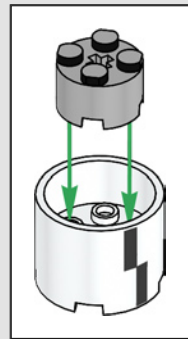


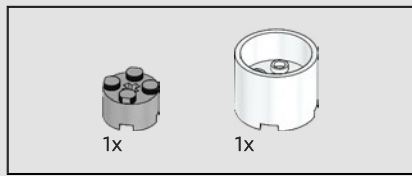


600

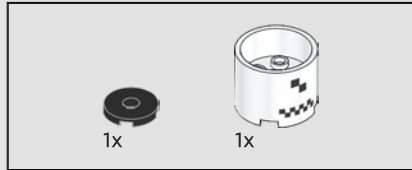
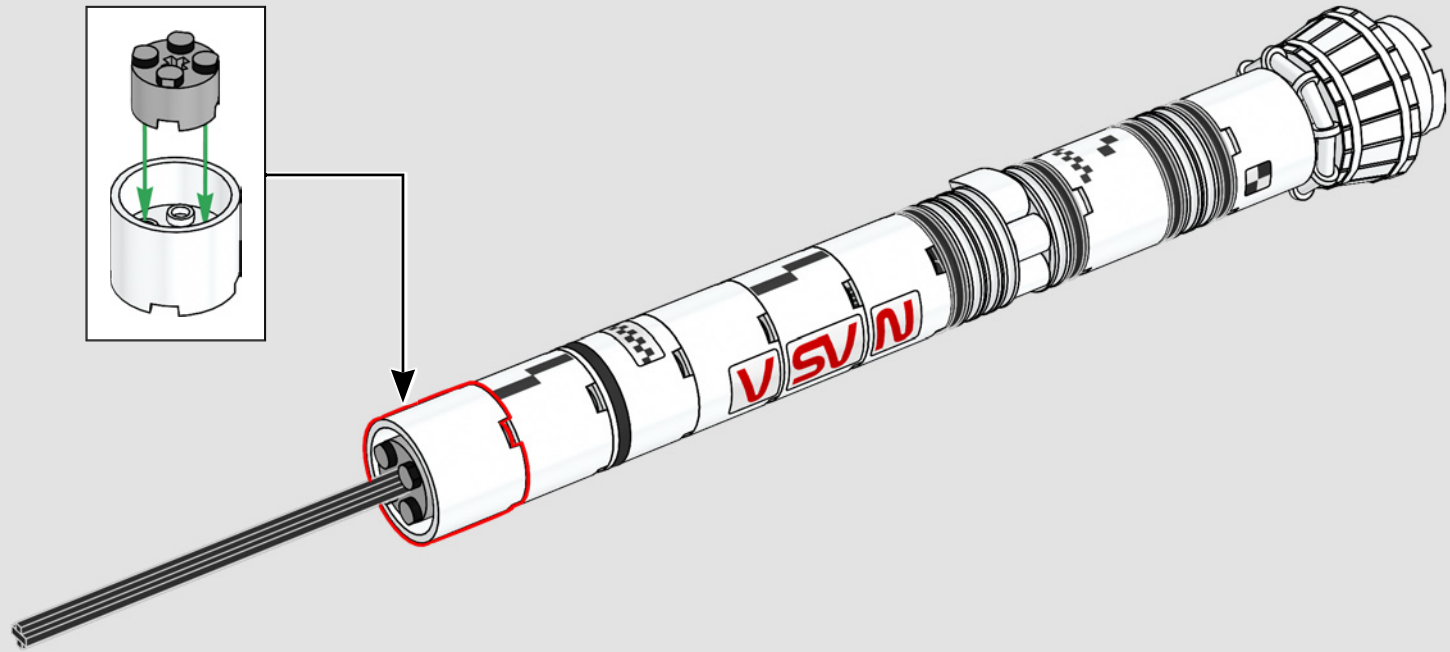
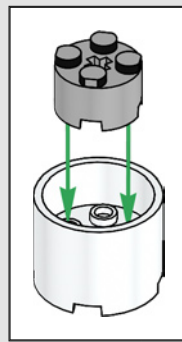


601

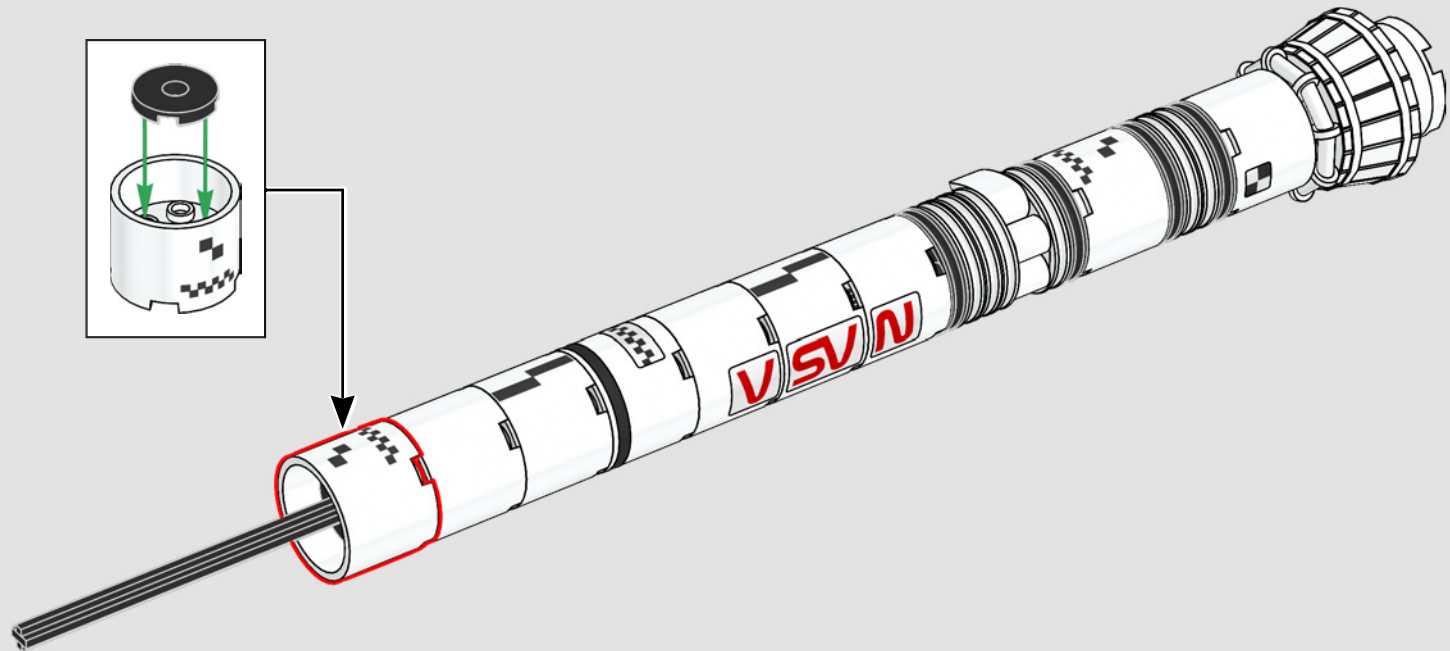
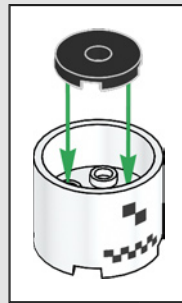


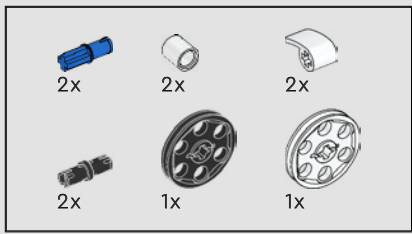


602



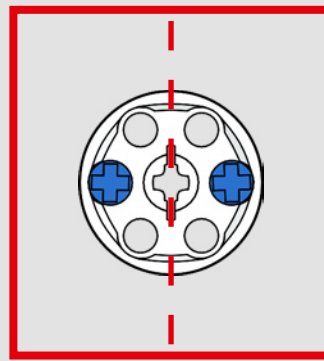
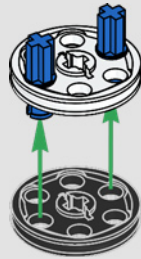
603





604

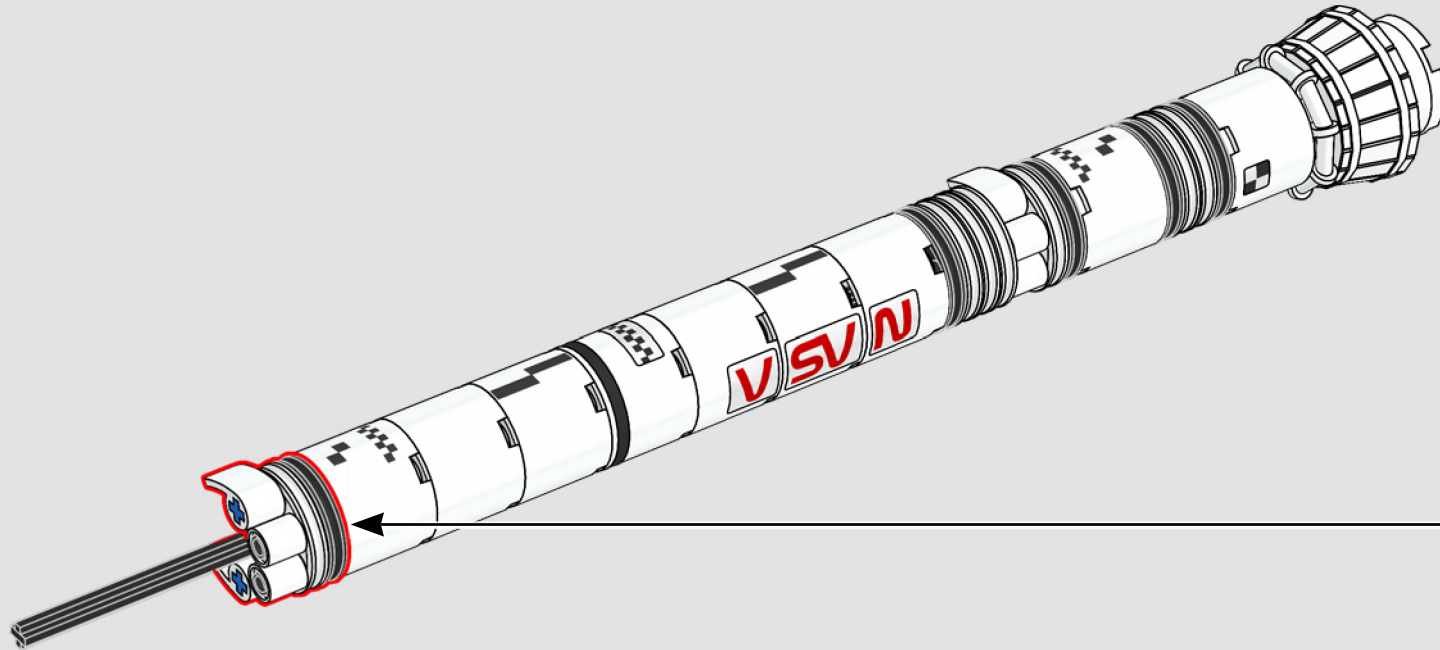
1



2

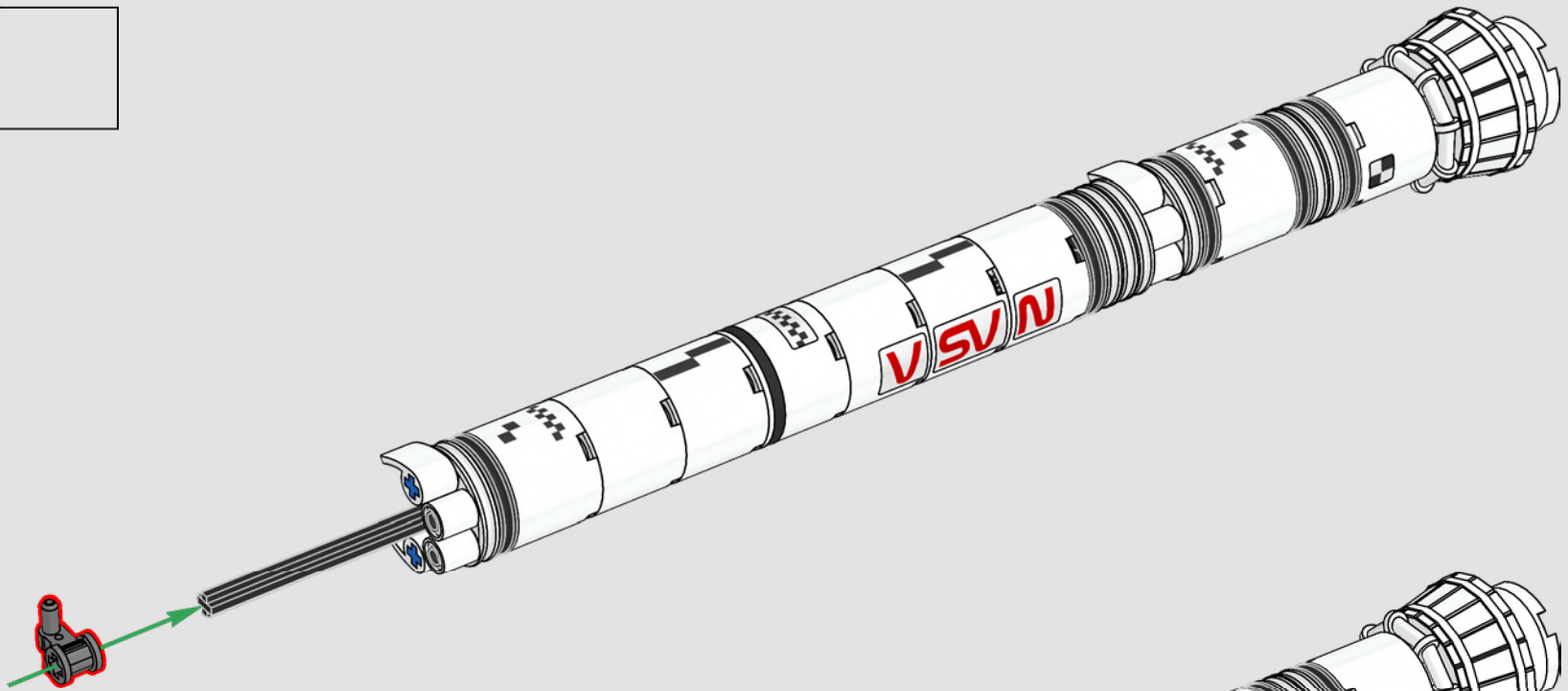


3

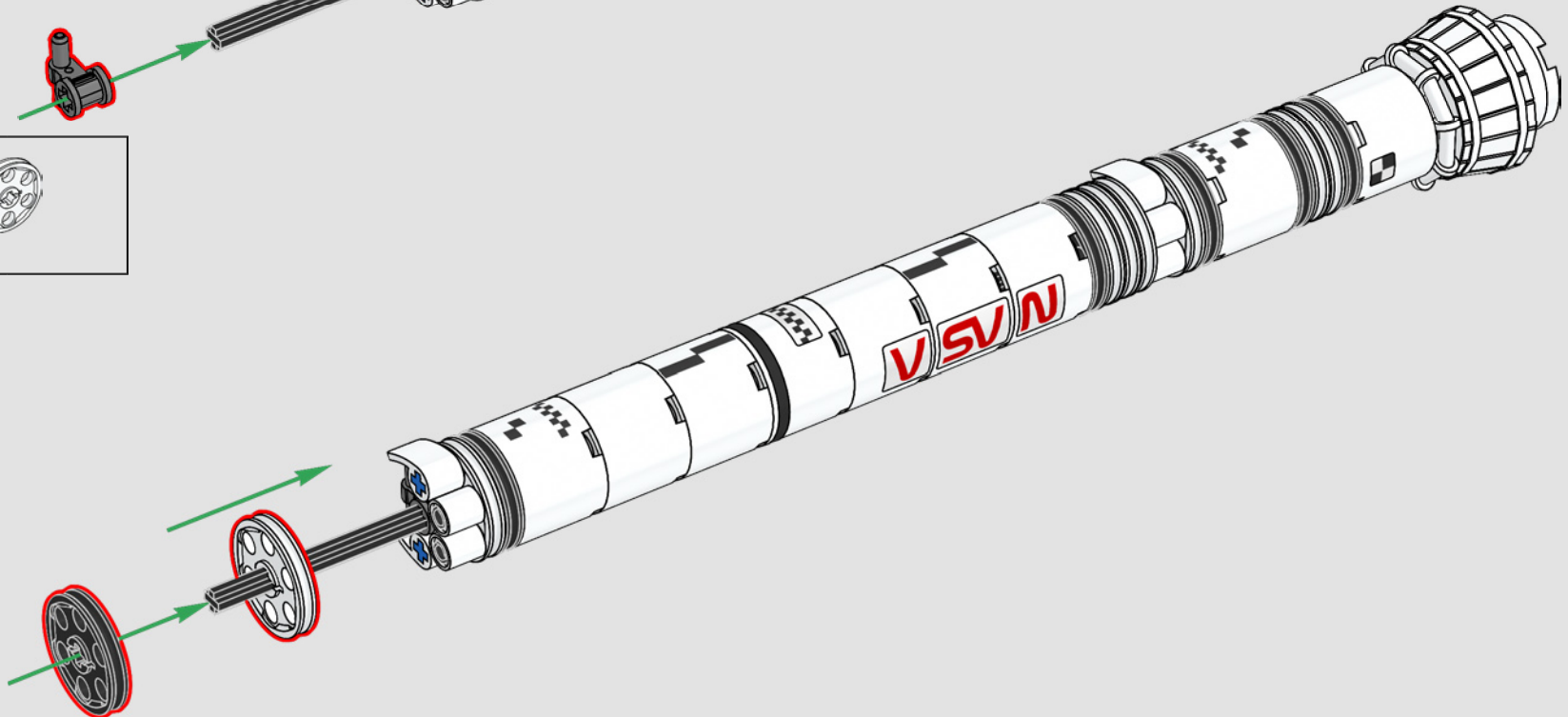


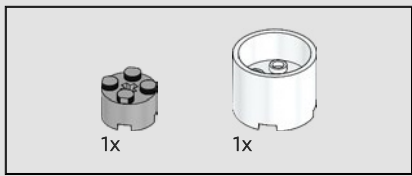


605

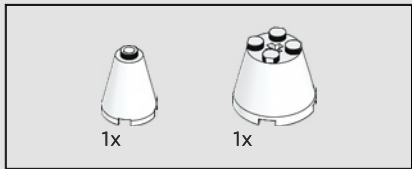
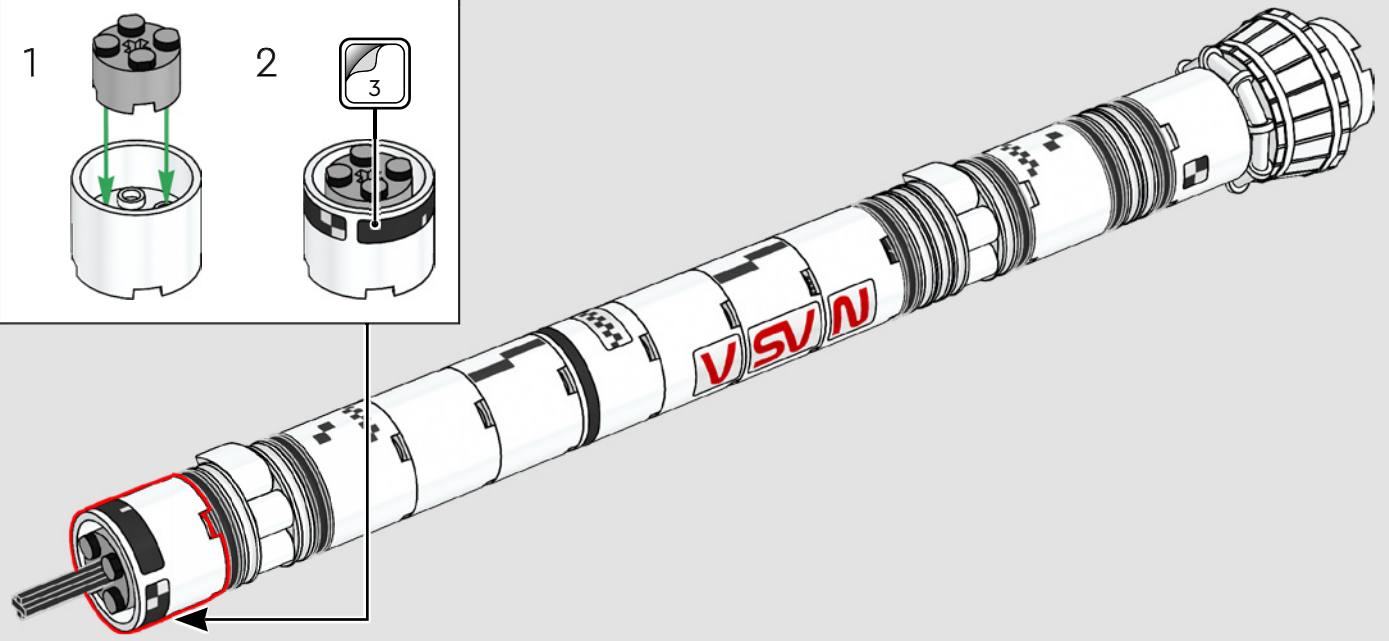
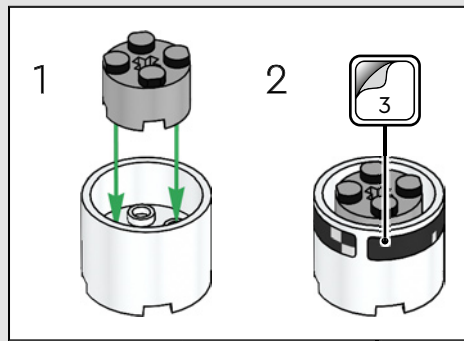


606

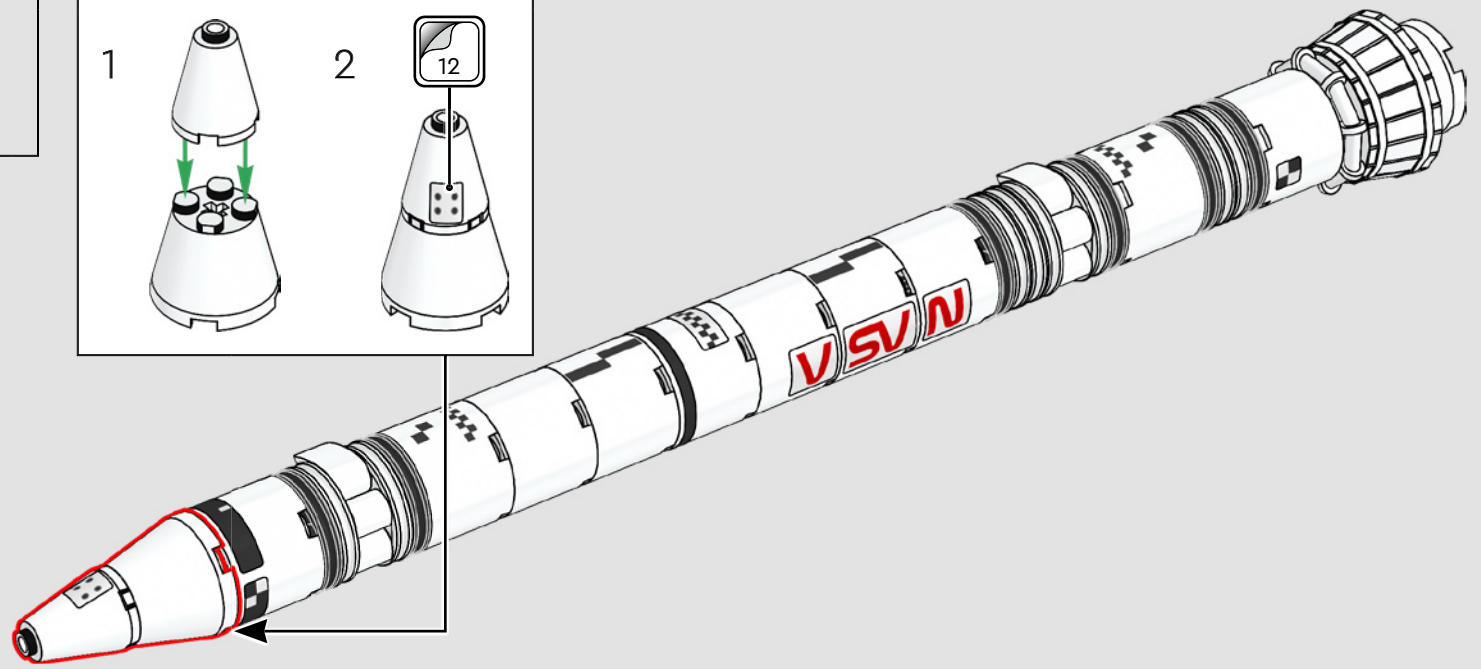
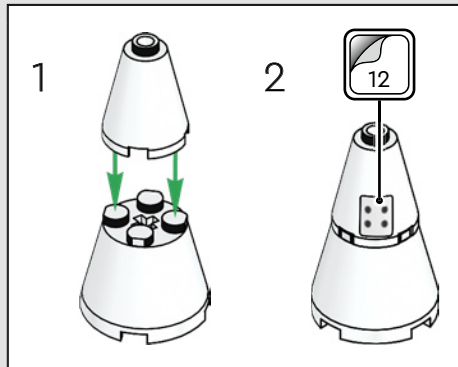




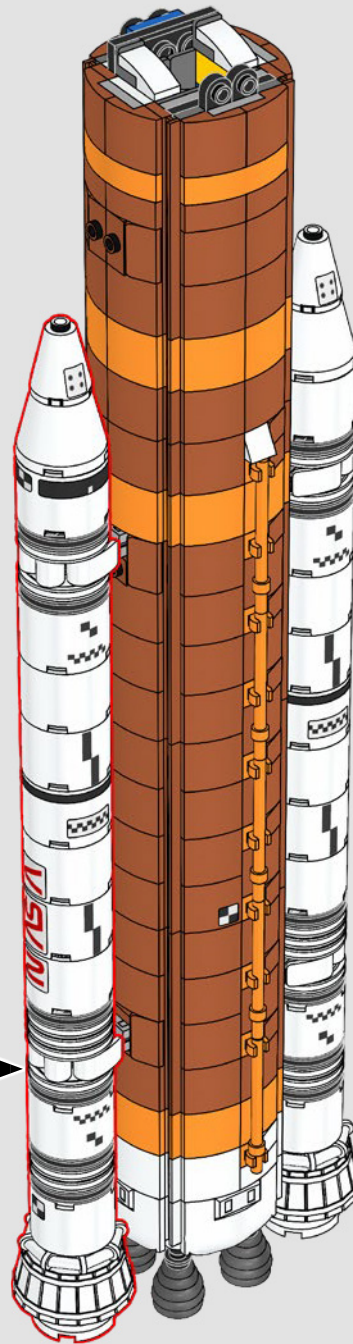
607



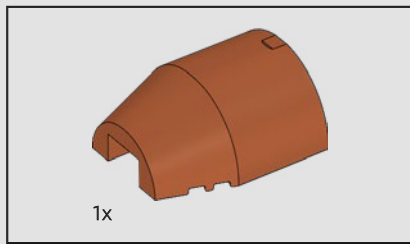
608



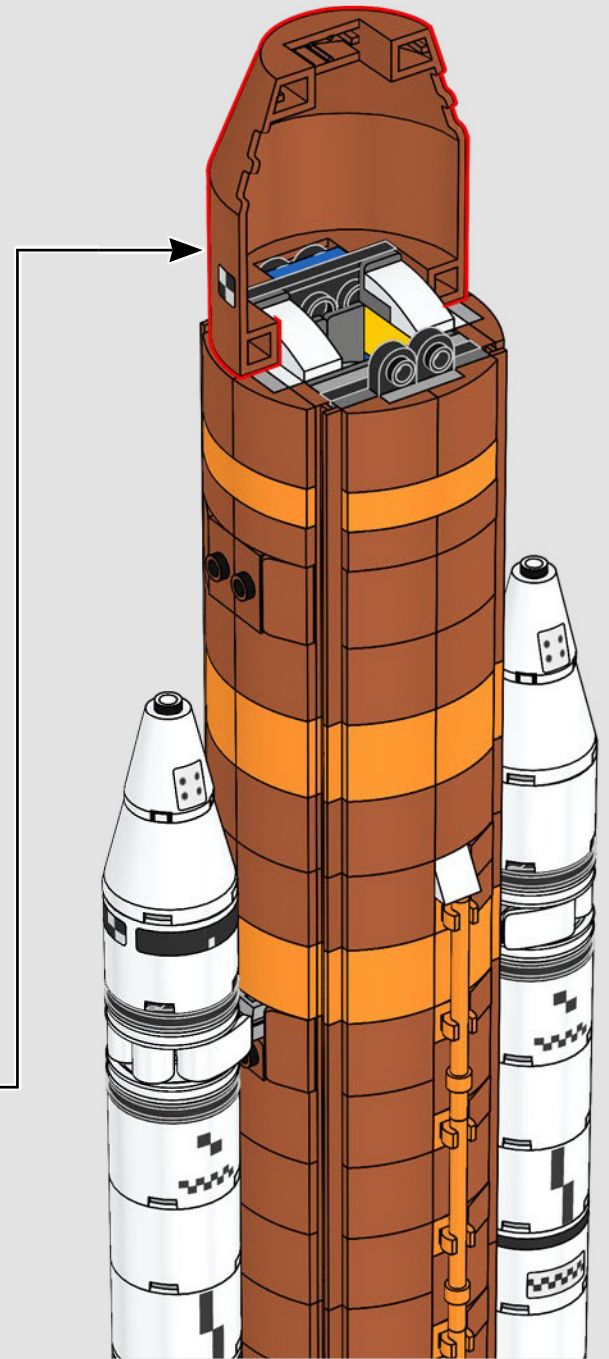
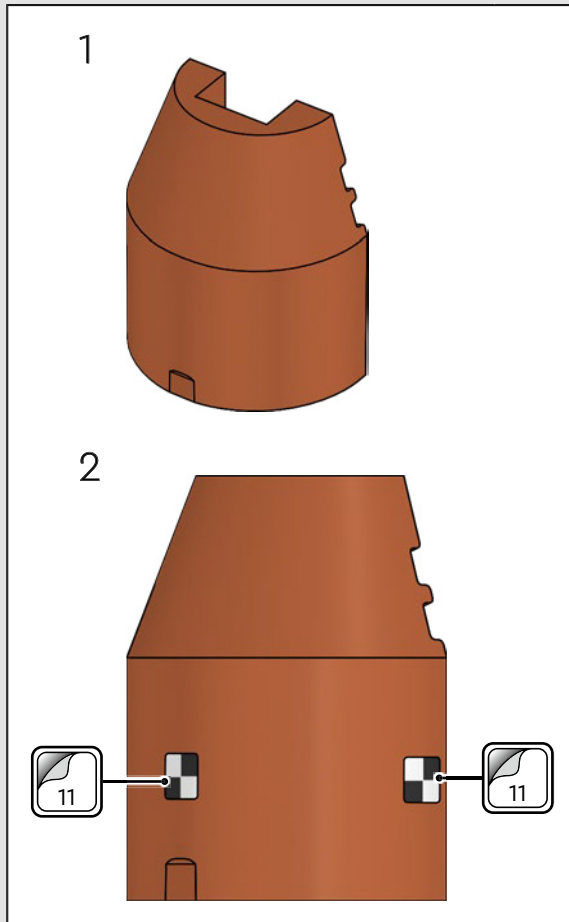
609

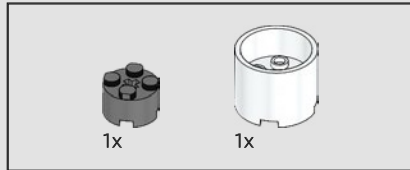
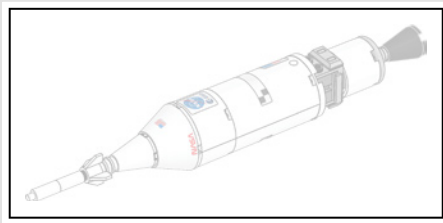


The cone element at the top of the boosters was already used in 1979 LEGO® Classic Space rockets (but had a solid stud with the LEGO logo).

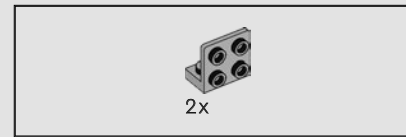
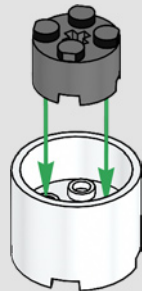


610

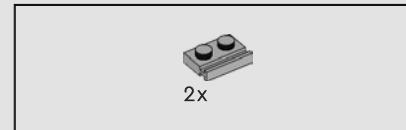
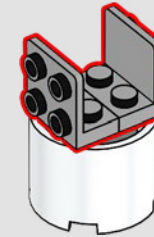




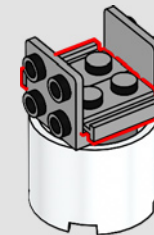
611

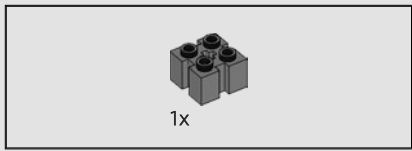


612

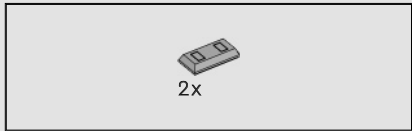
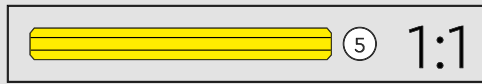
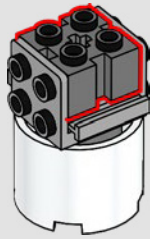


613

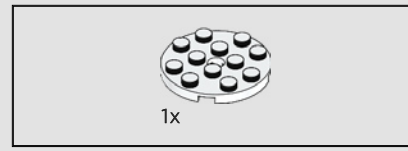
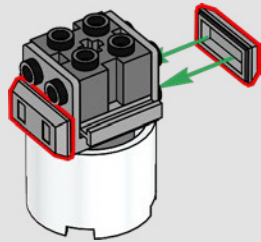




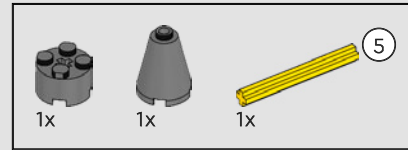
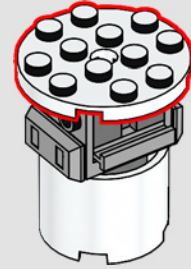
614



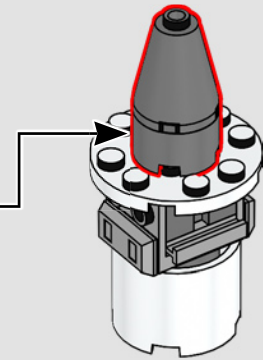
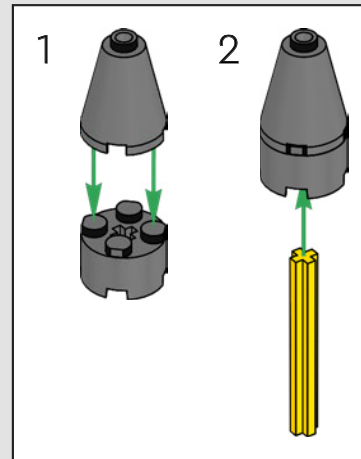
615

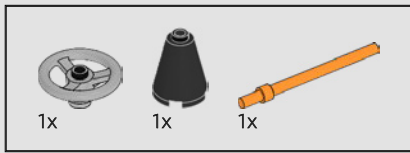


616

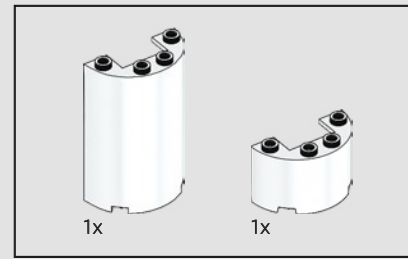
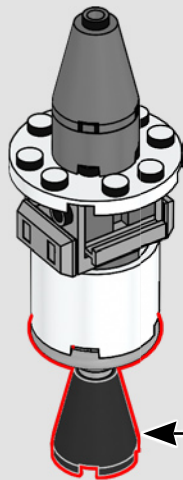
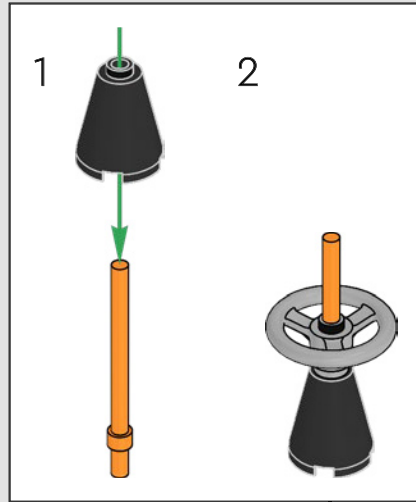


617

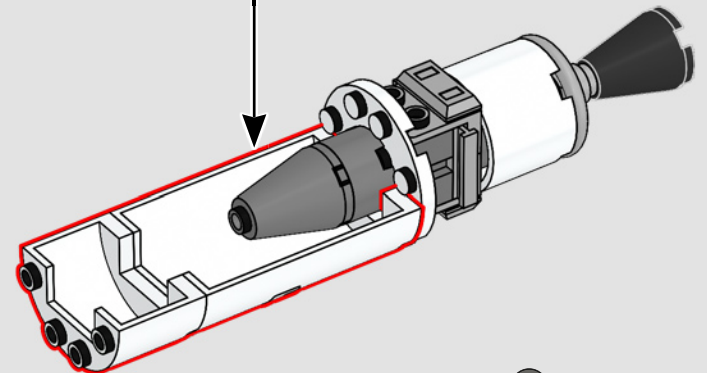
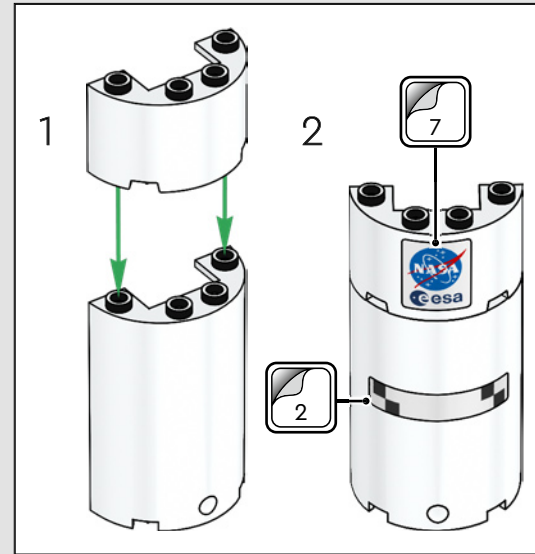


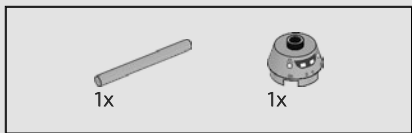


618

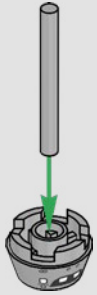


619

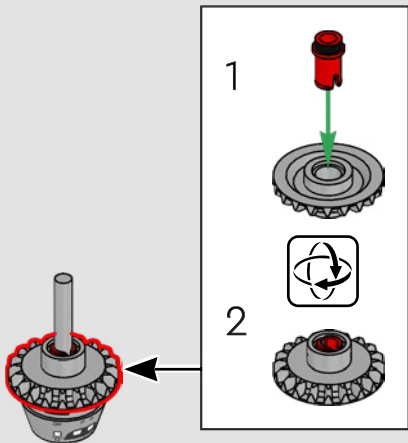




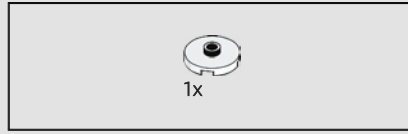
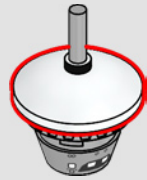
620



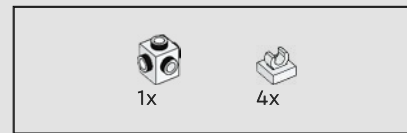
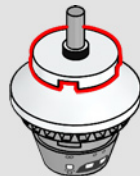
621



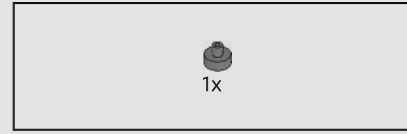
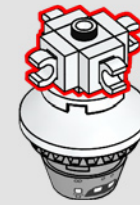
622



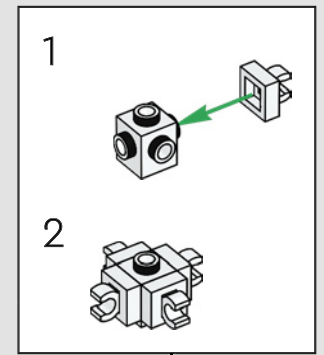
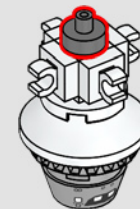
623

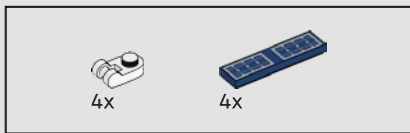


624

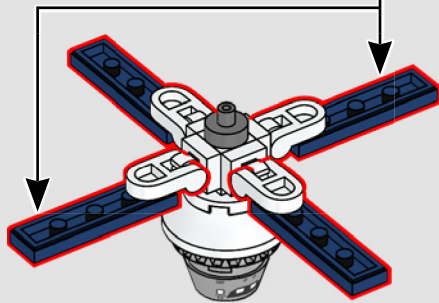
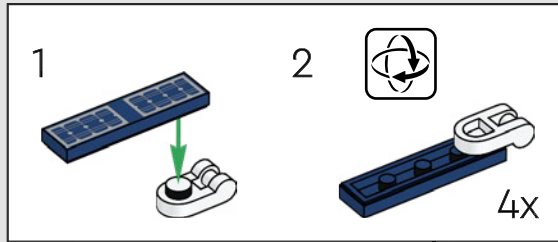


625





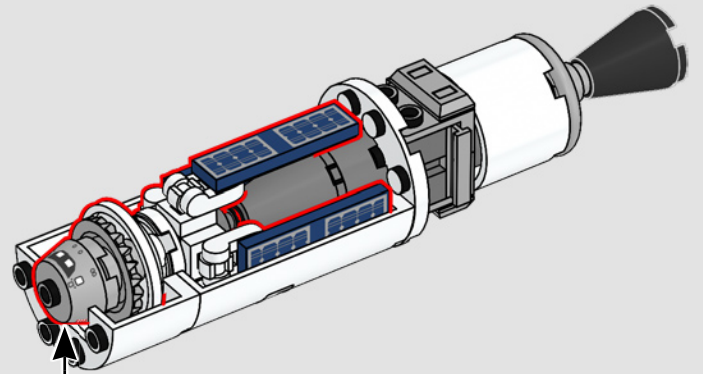
626

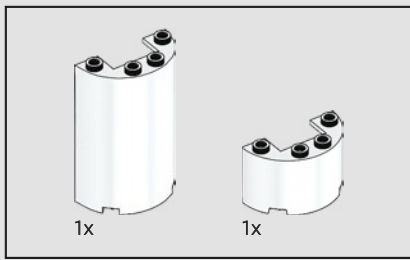


627

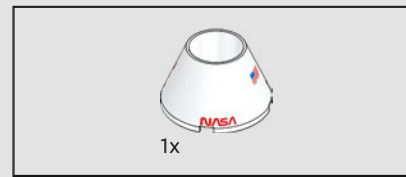
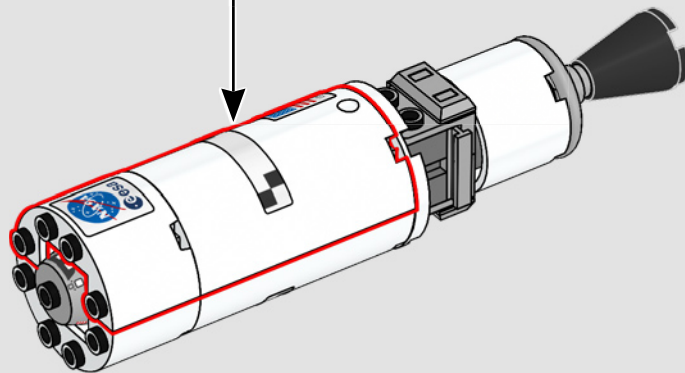
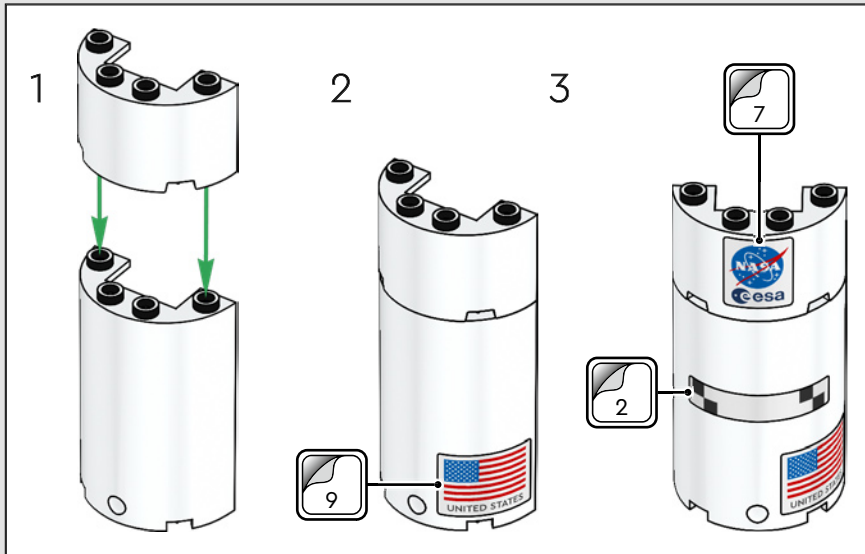


628

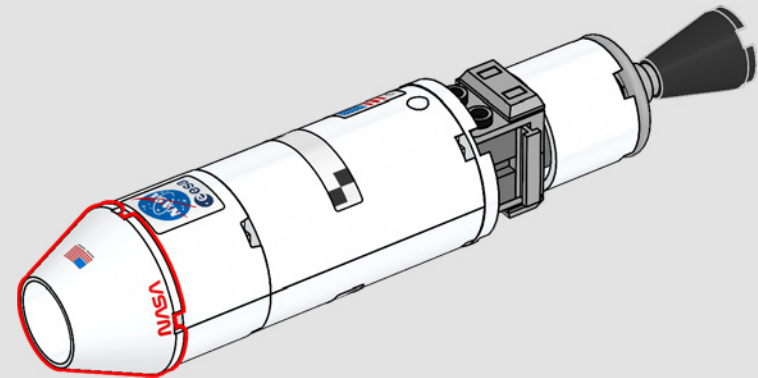


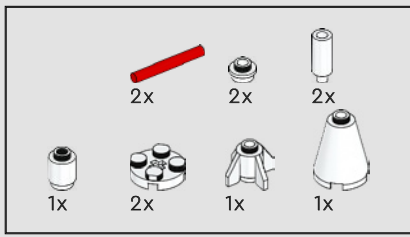


629

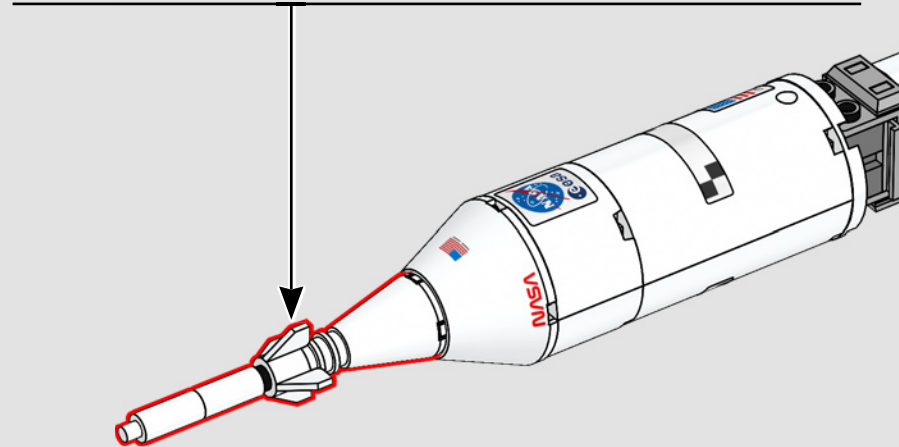
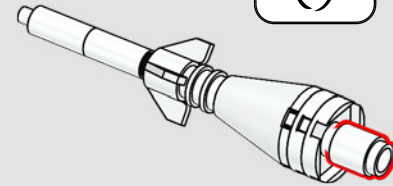
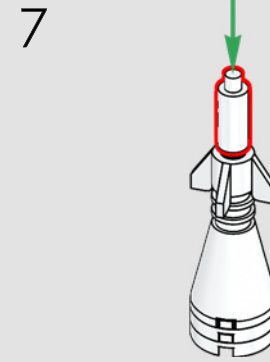
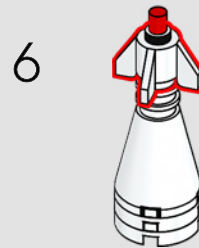
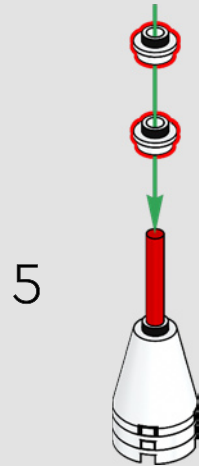
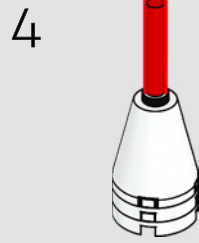
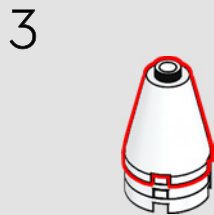
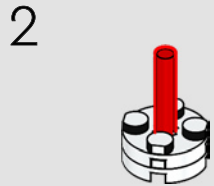
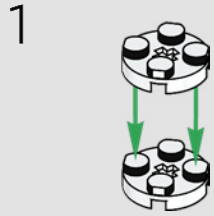


630

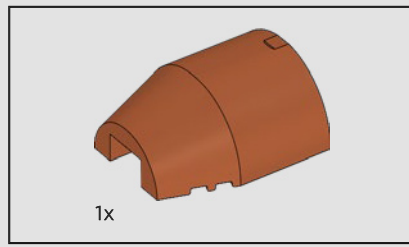
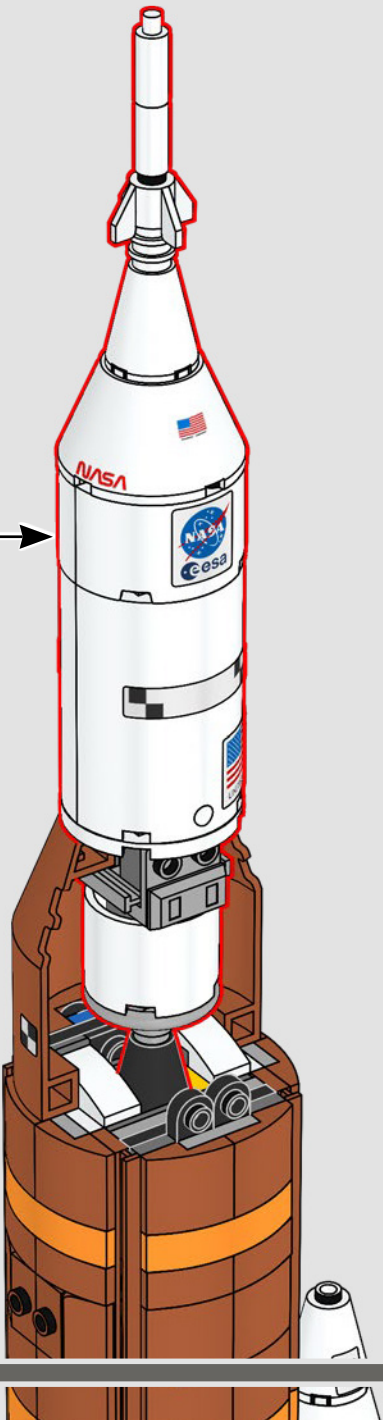




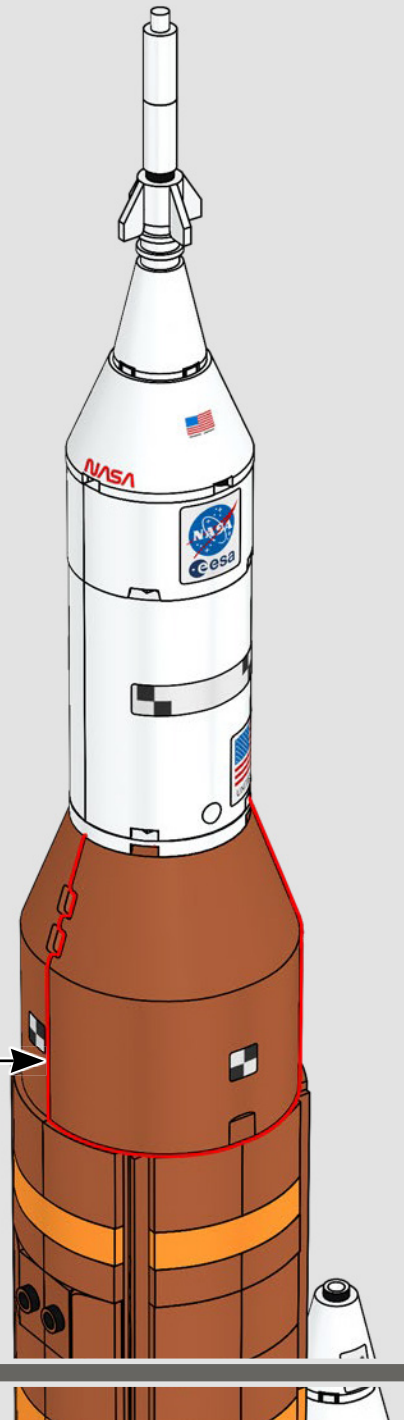
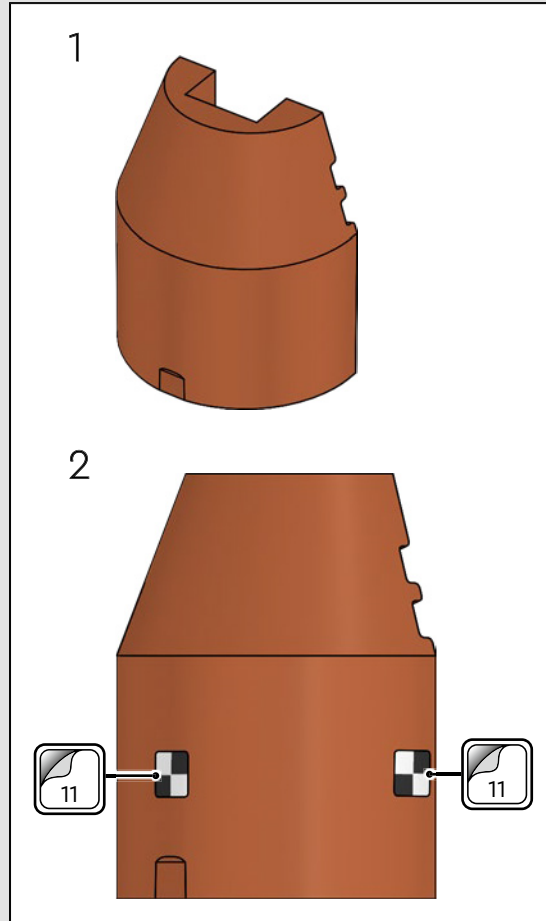
631



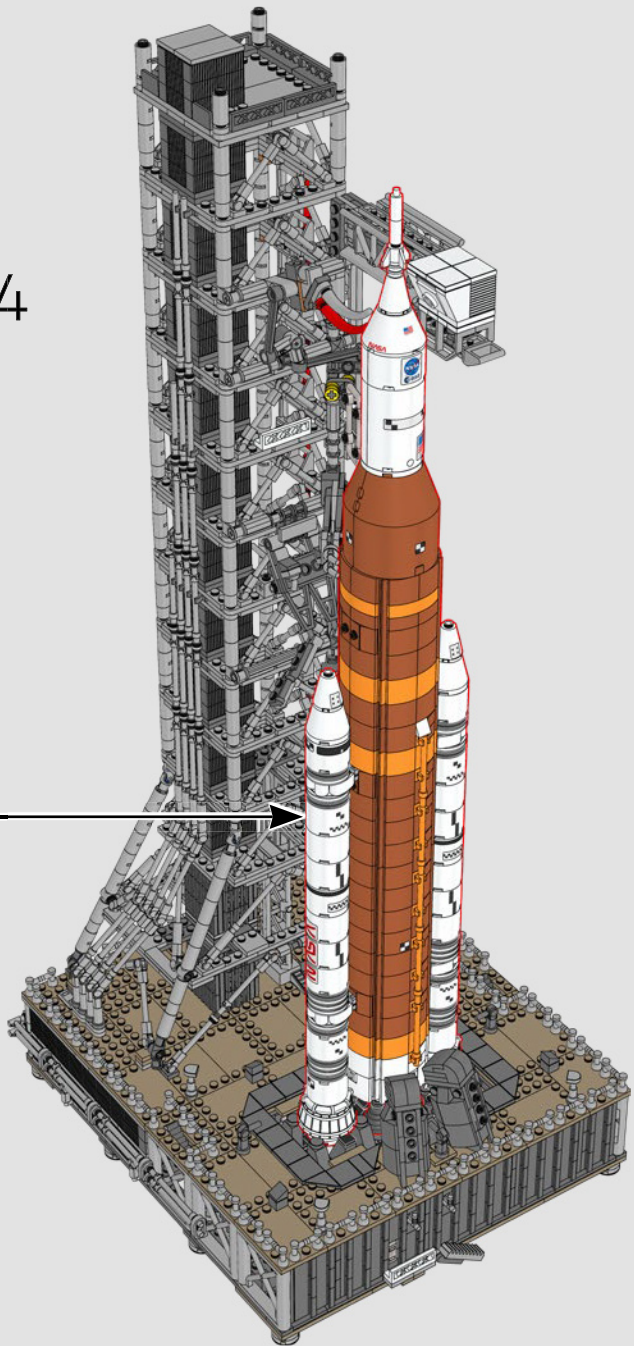
632



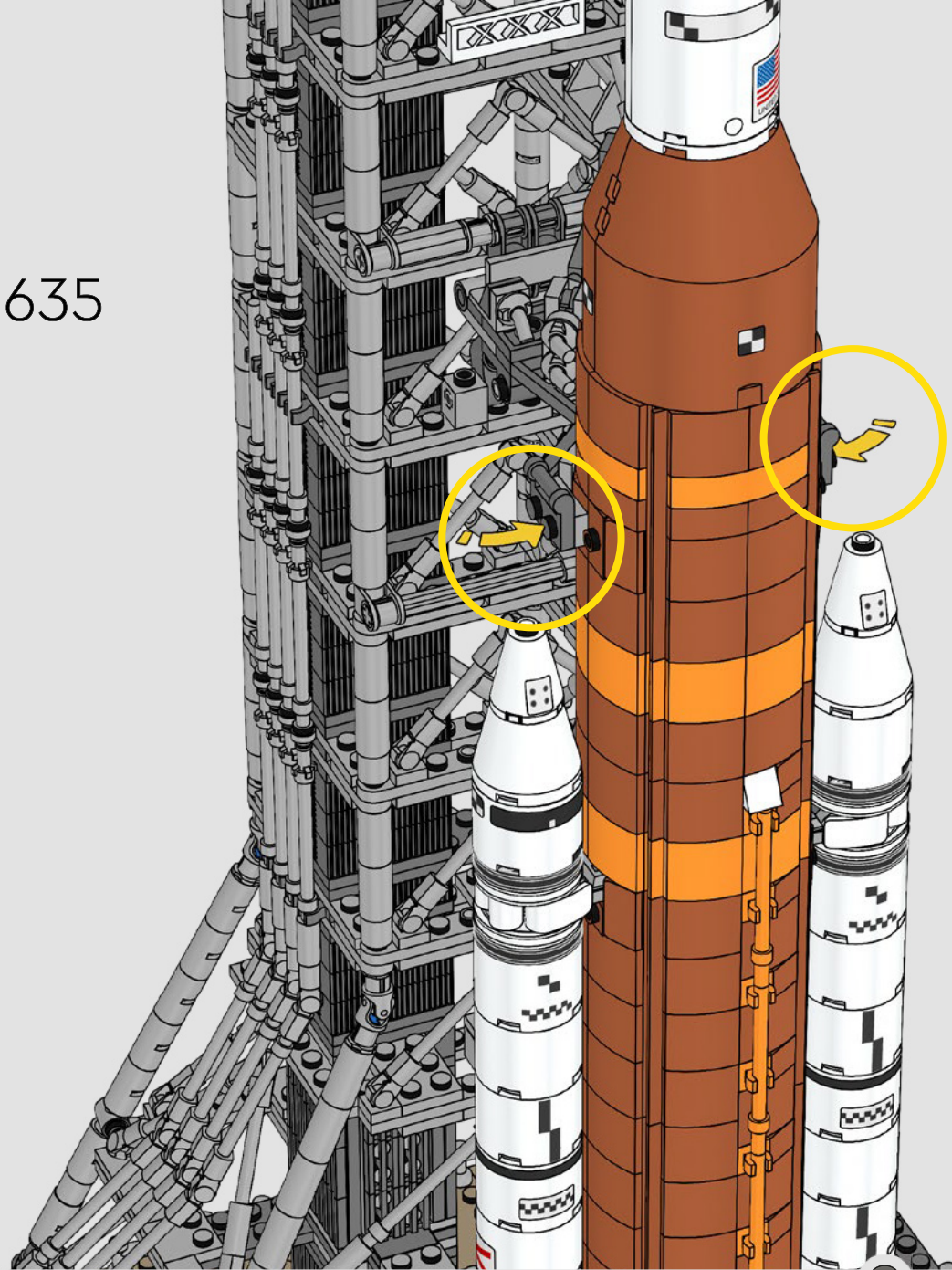
633



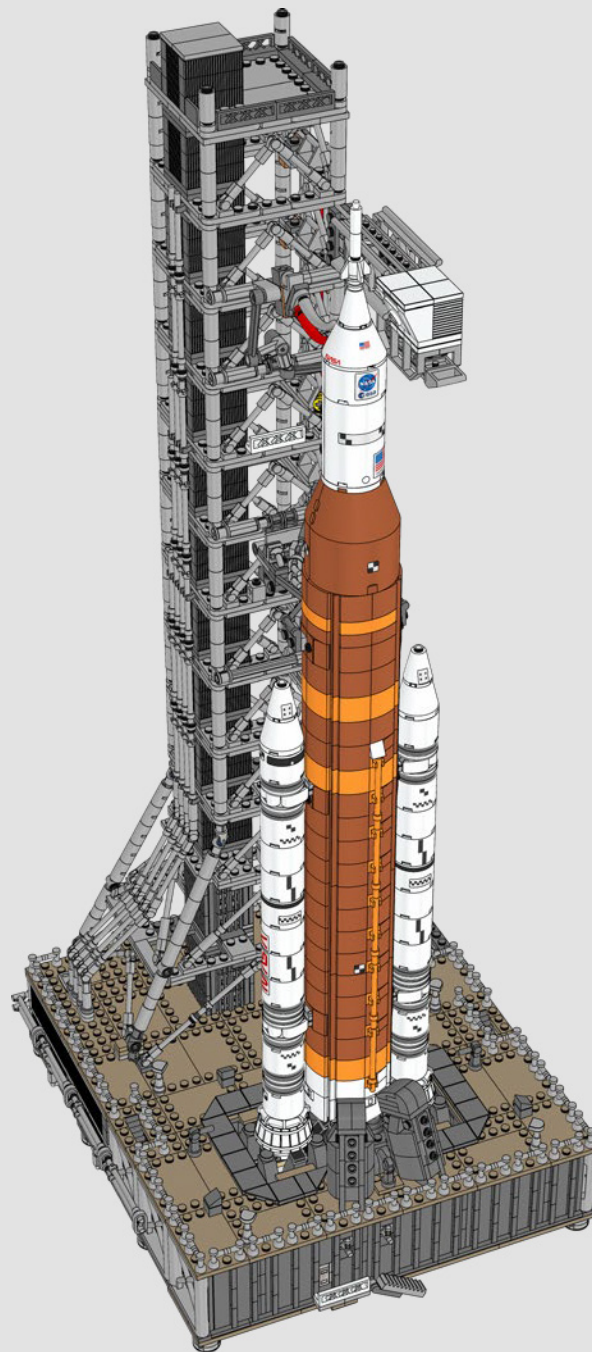
634



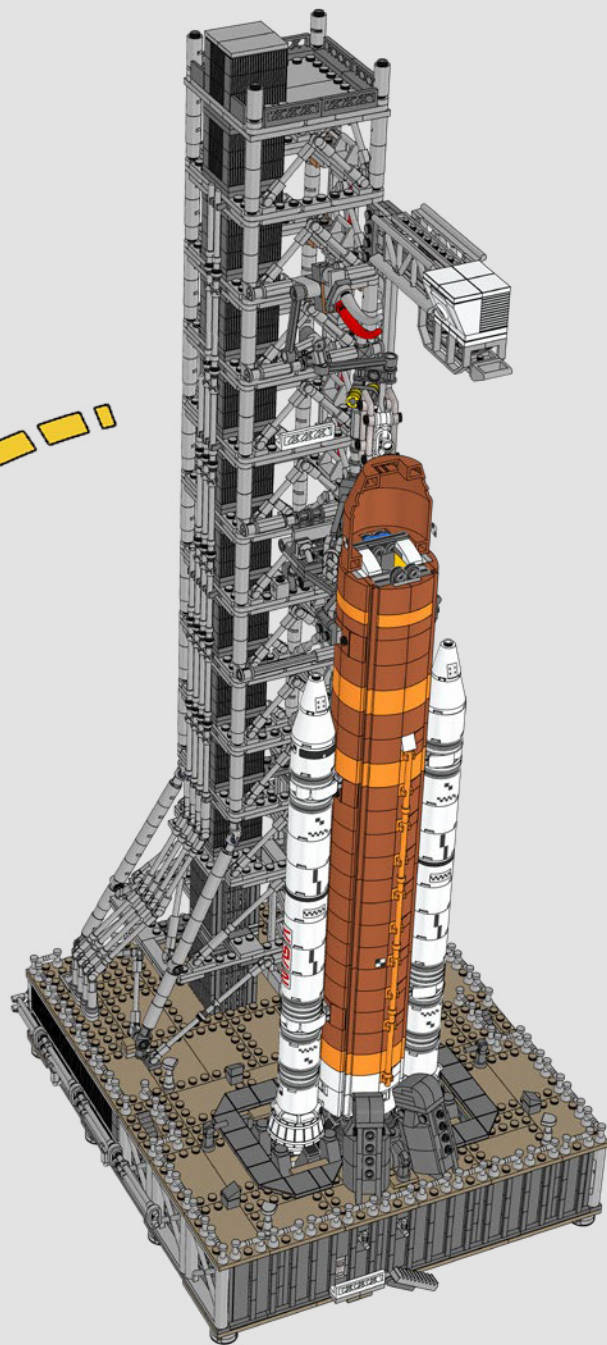
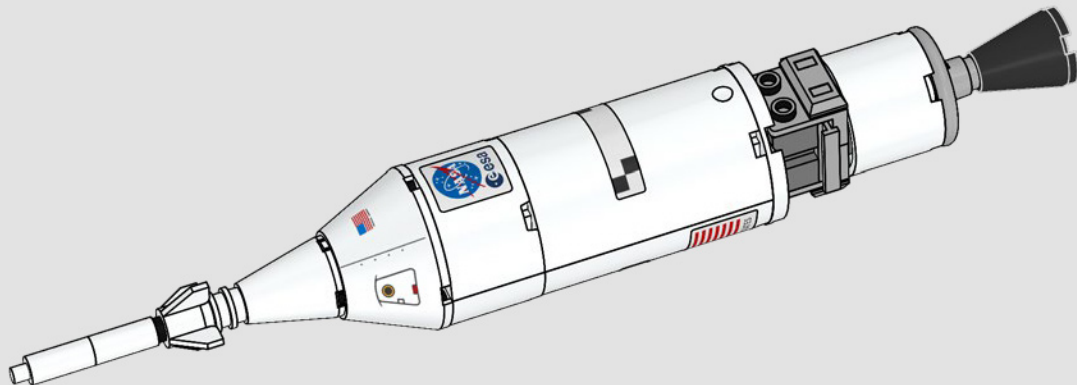
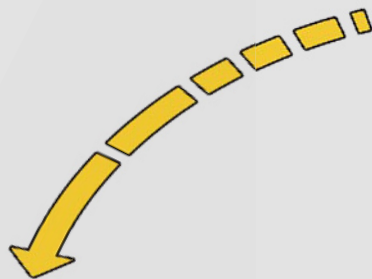
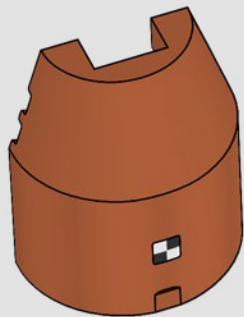
635

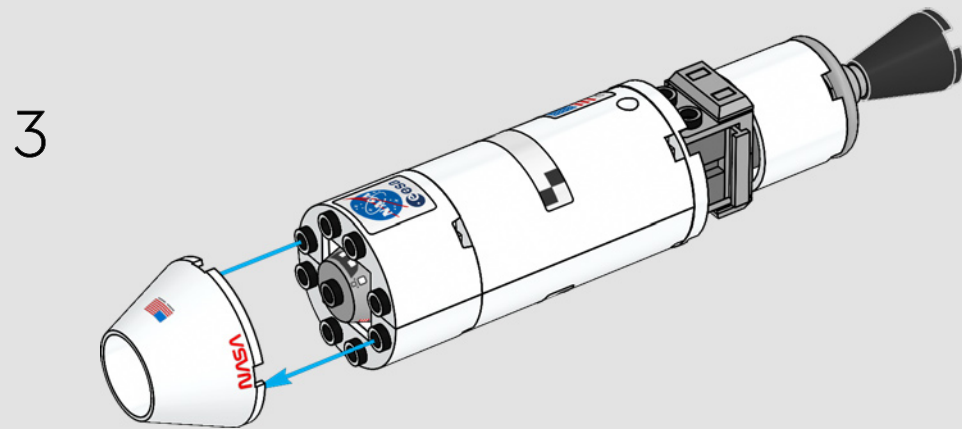
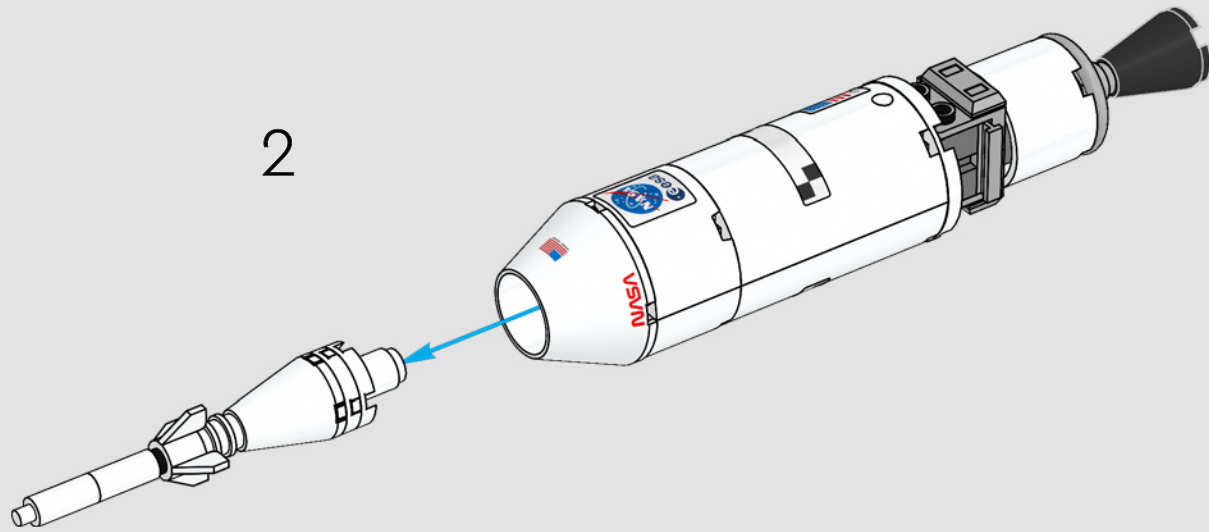


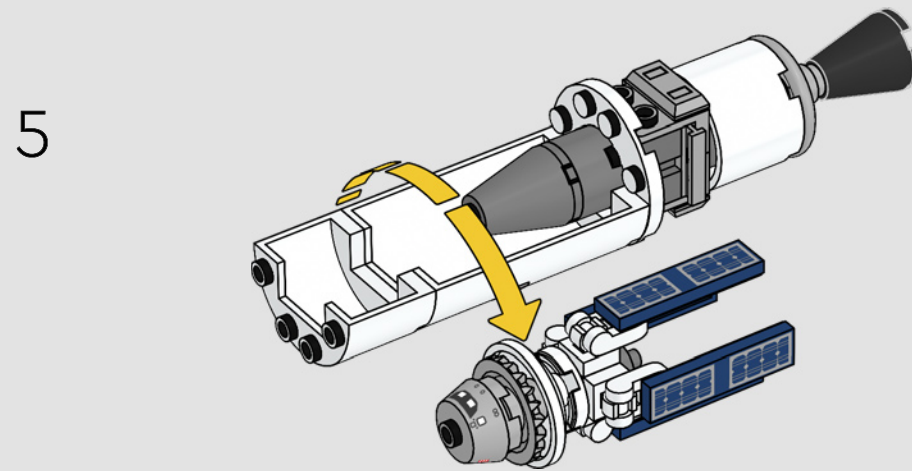
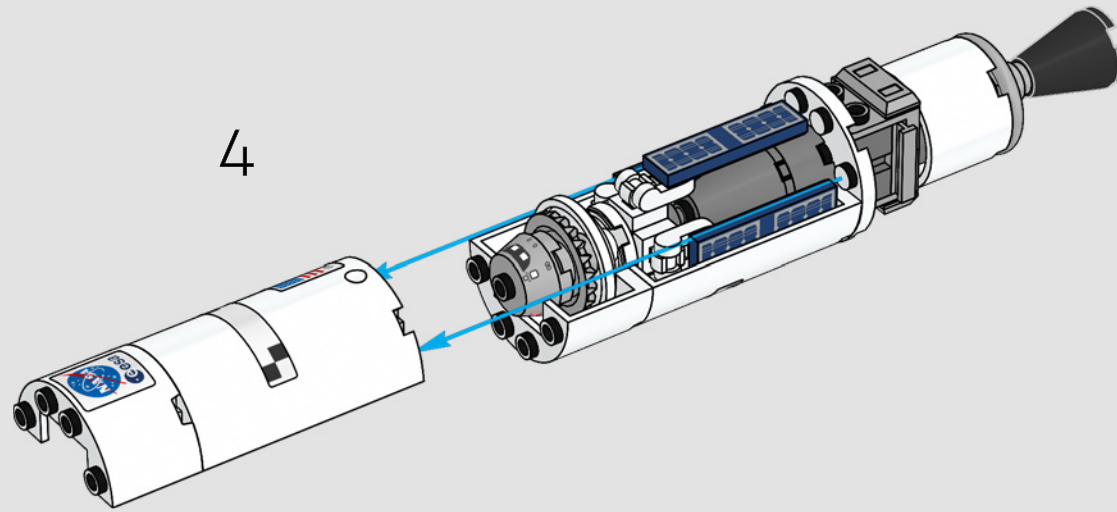
Like in real life, the whole rocket rests on the skirts of the boosters.

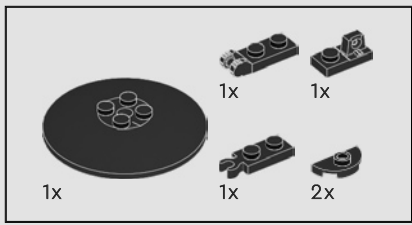


1



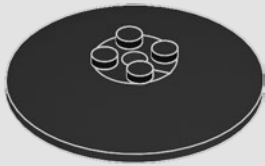




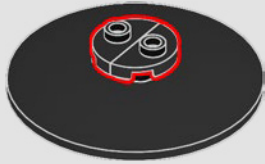


6

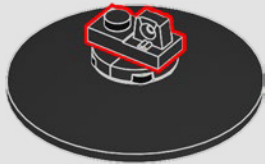
1



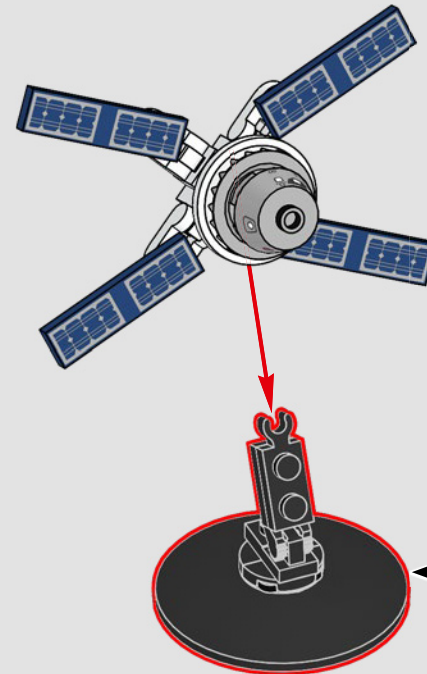
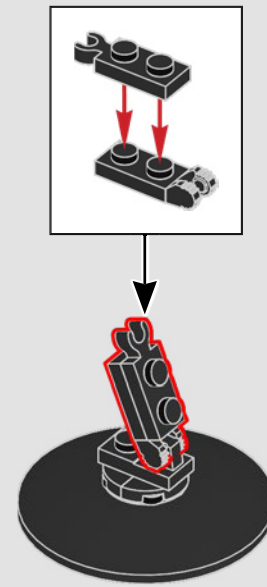
2

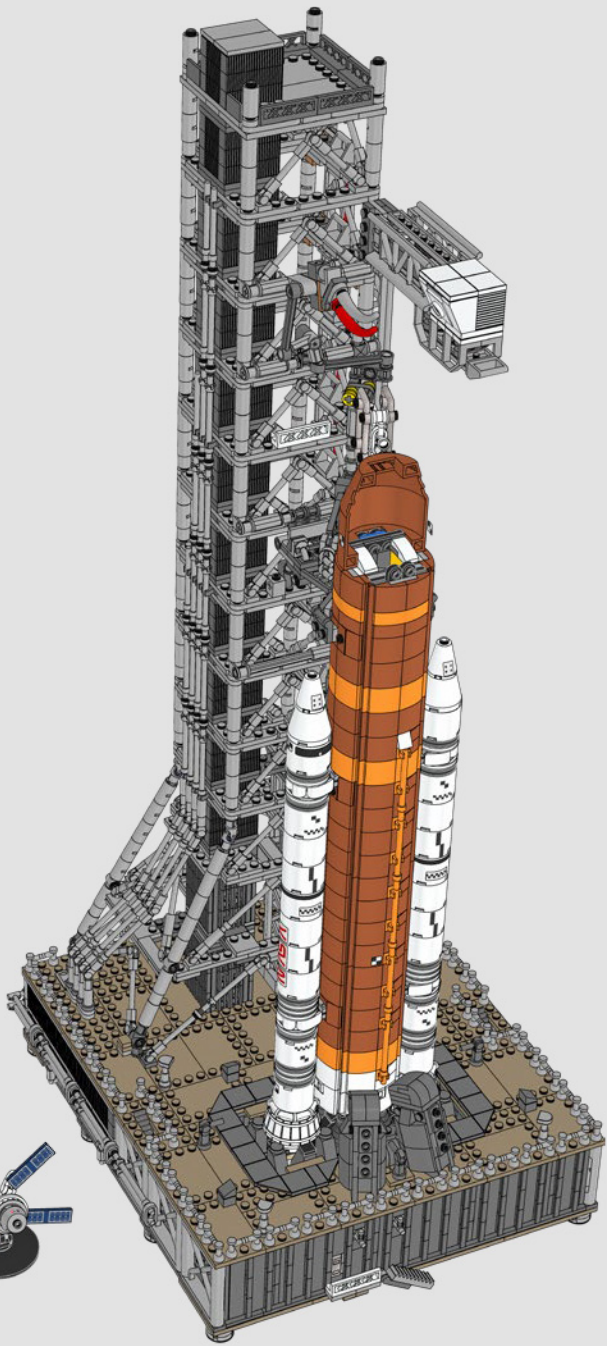


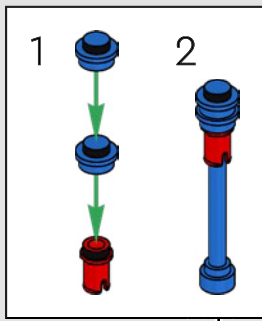
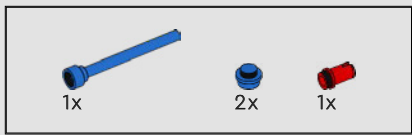
3



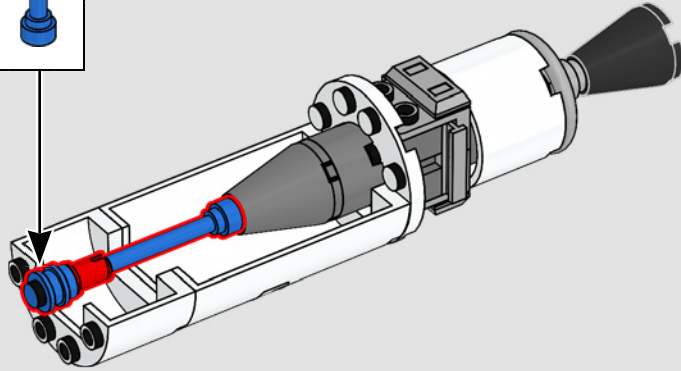
4



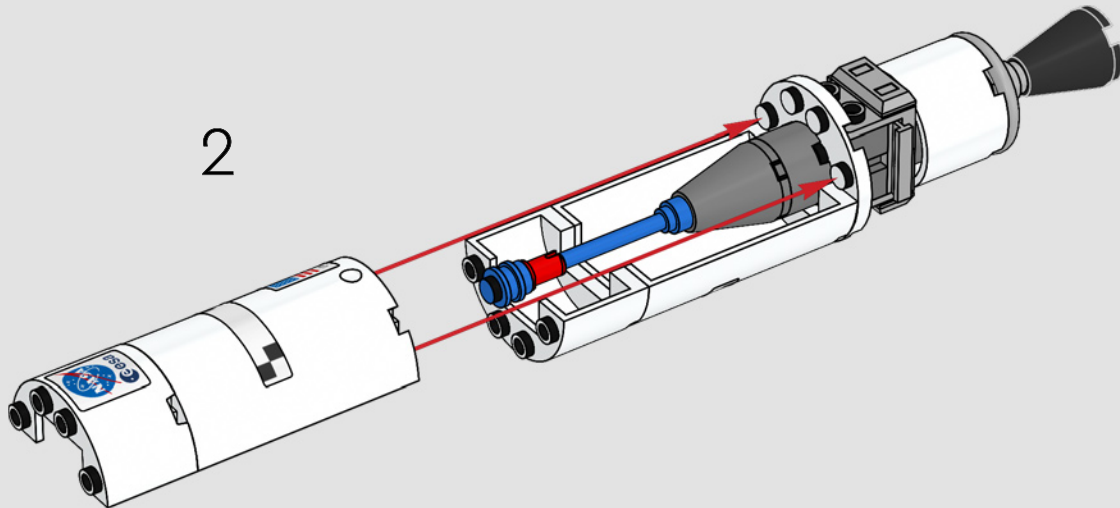


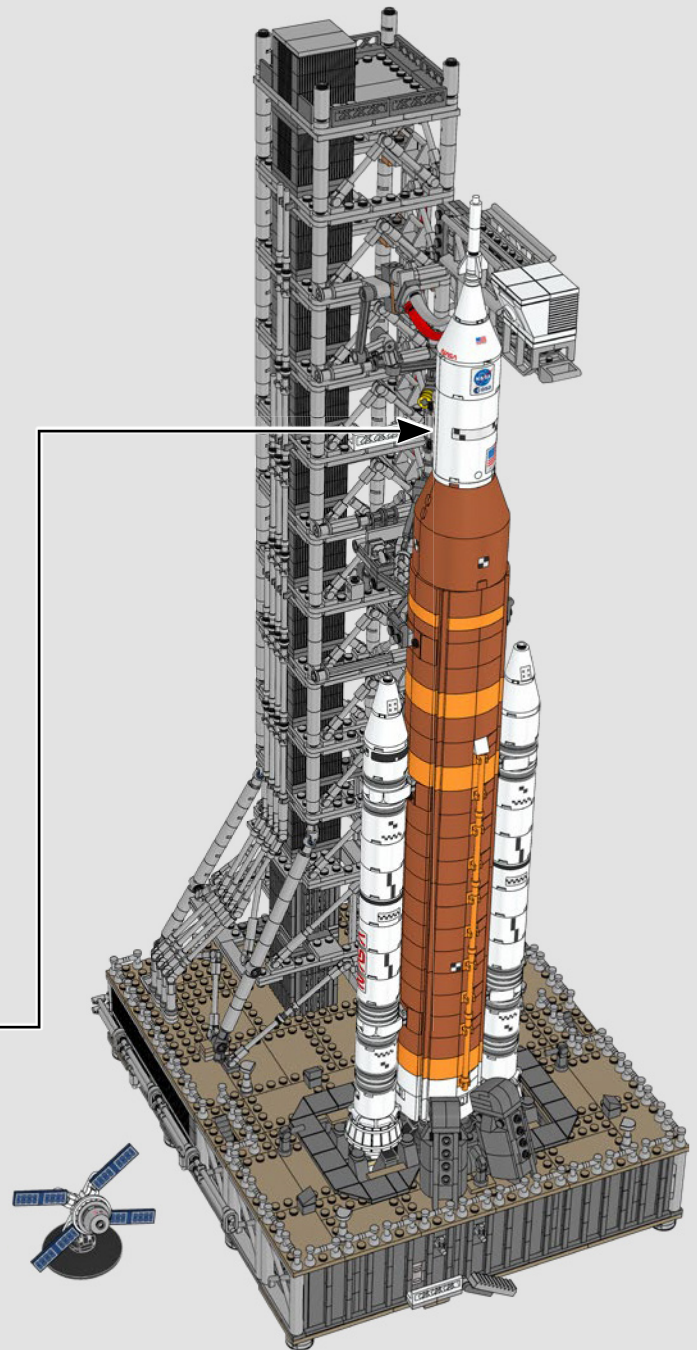
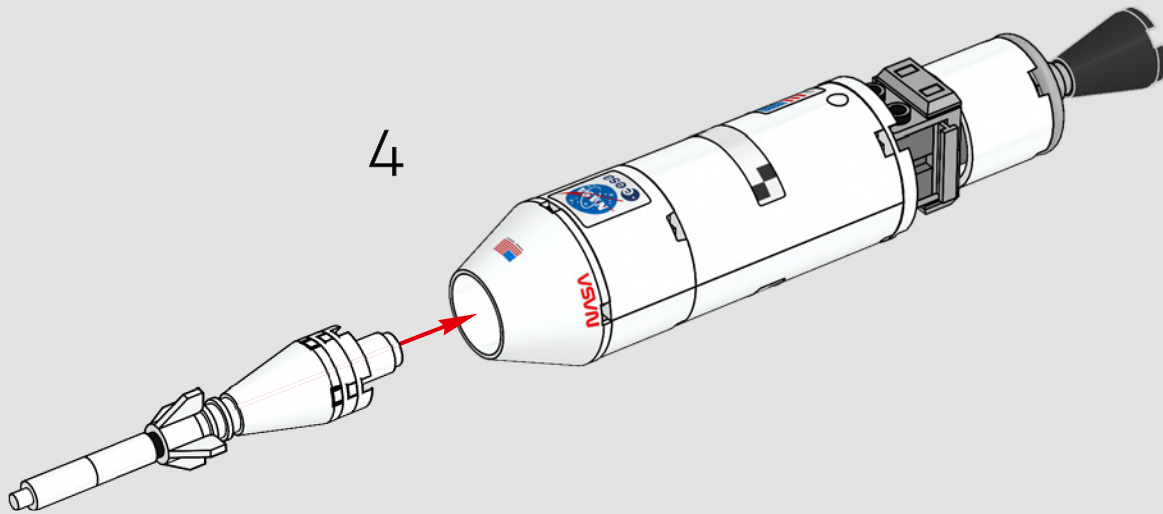
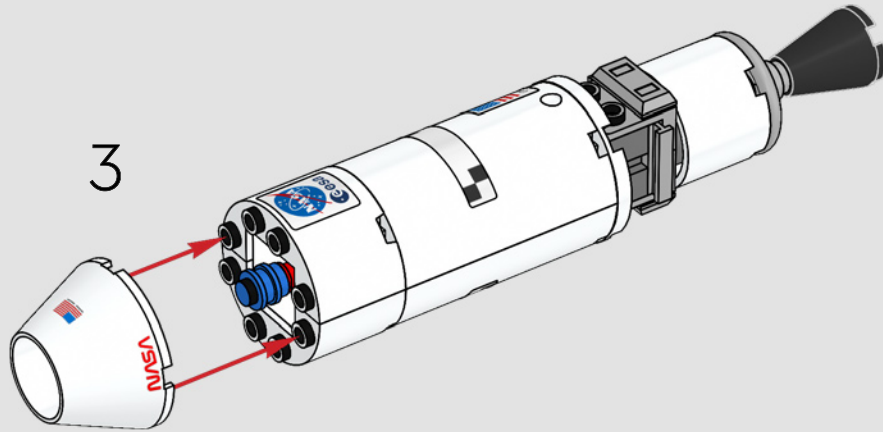


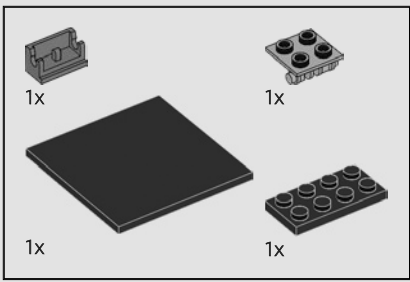
1



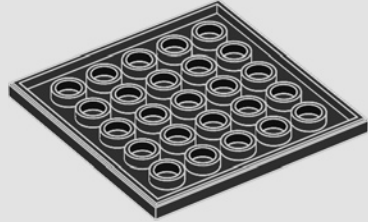
2



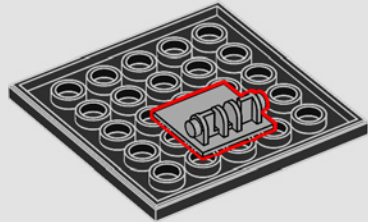




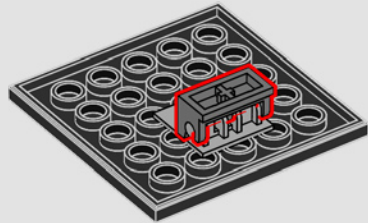
1



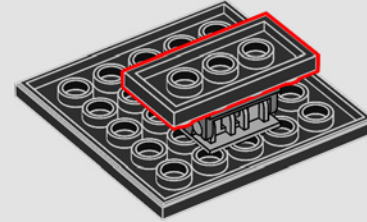
2



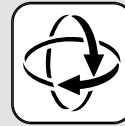
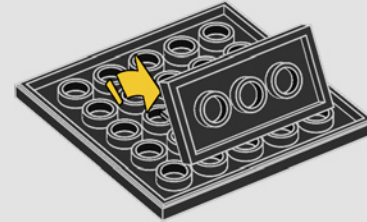
3



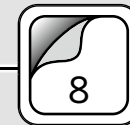
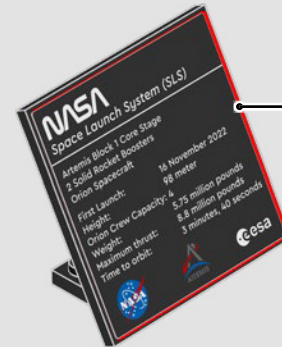
4

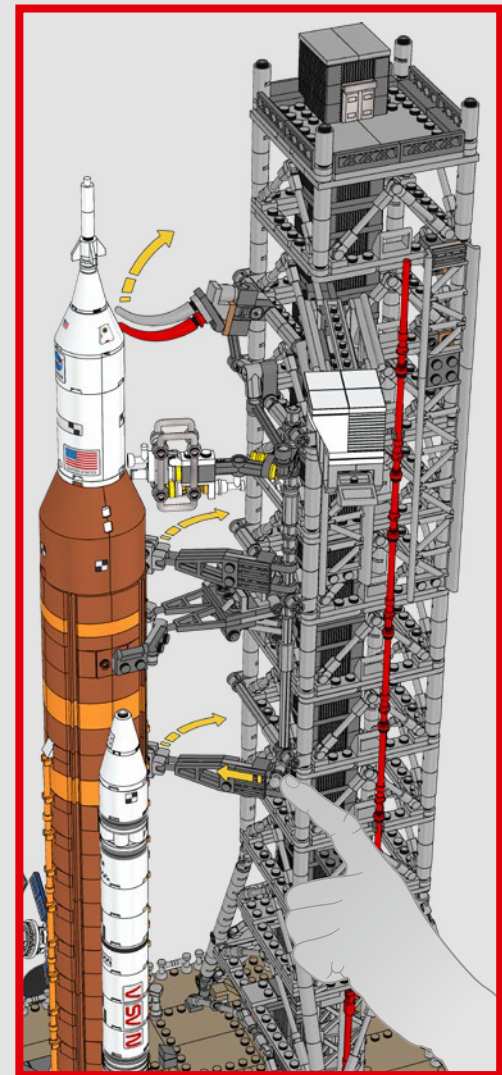
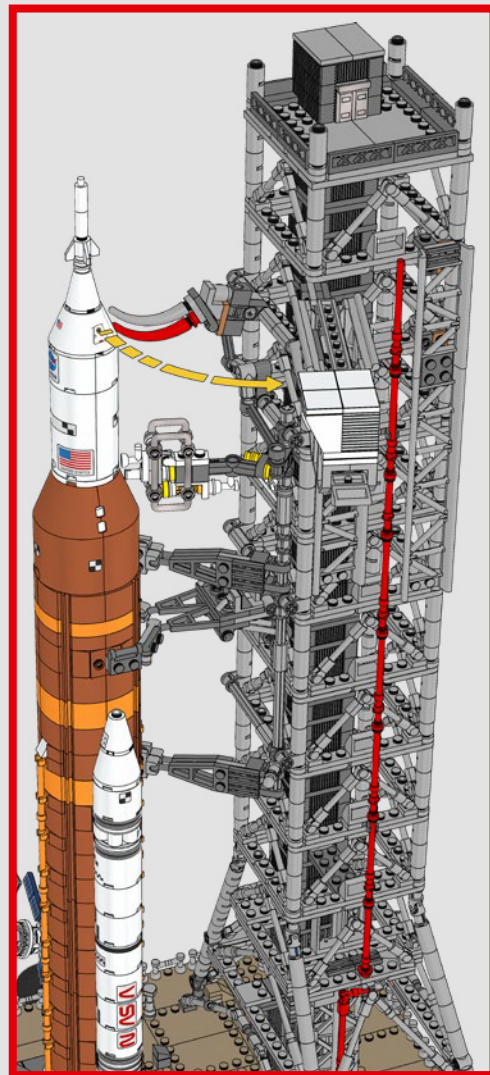
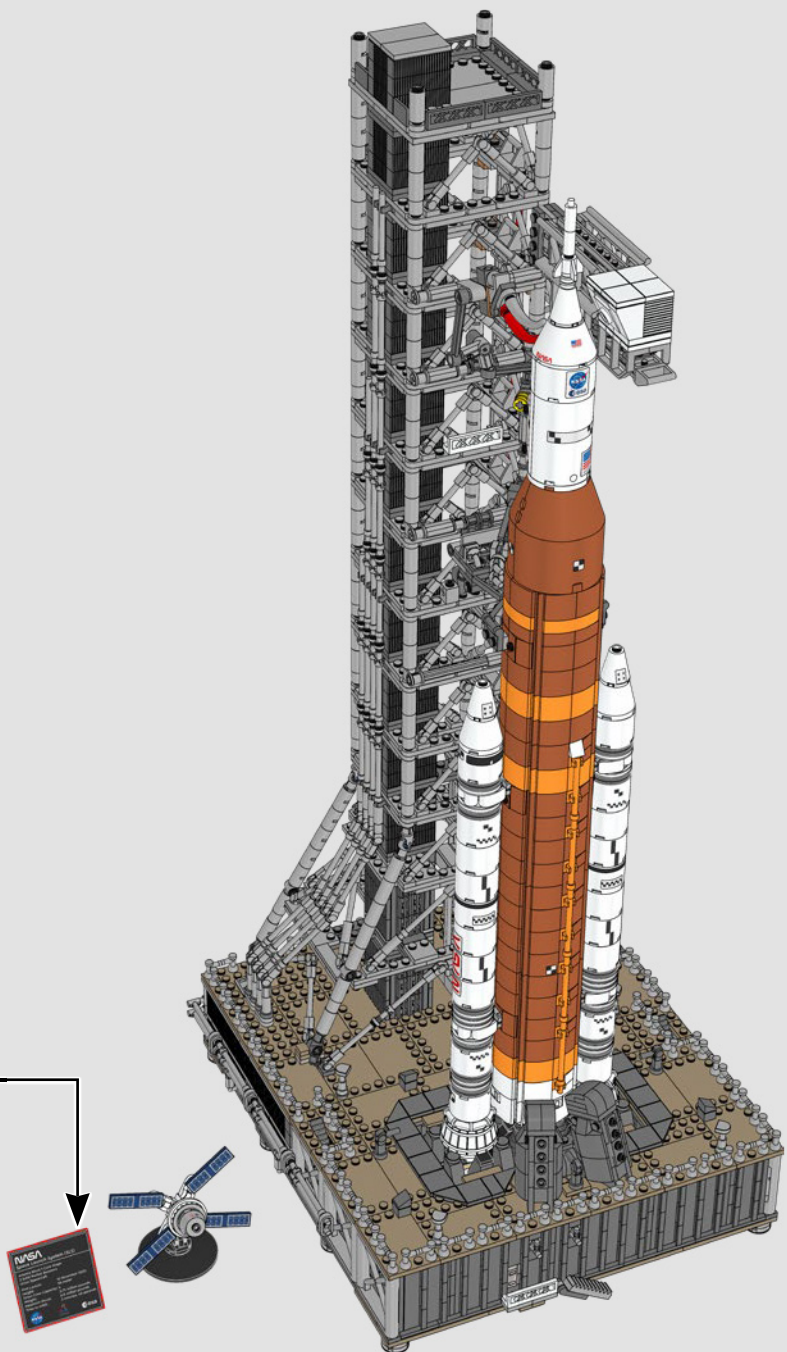


5

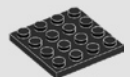


6

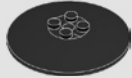




- 2x 6234807
- 7x 614101
- 2x 6168642
- 1x 306201
- 4x 459901
- 1x 6388018
- 11x 6177114
- 2x 300501
- 4x 4504369
- 4x 6348055
- 1x 6442358
- 2x 4111971
- 1x 6331225
- 15x 6210272
- 8x 6434569
- 4x 6174937
- 2x 403201
- 3x 6044601
- 2x 6281990
- 1x 614301
- 1x 6093053
- 5x 6194851
- 5x 287701
- 4x 6173116
- 5x 6210076
- 2x 4515370
- 2x 6166894
- 4x 6034044
- 8x 4249563
- 16x 6330136
- 4x 235701
- 4x 6013866
- 1x 6238334
- 6x 6047220
- 1x 6267044
- 1x 4179580
- 4x 6188466
- 6x 6313593
- 1x 6245249
- 13x 6390507
- 4x 6483019
- 4x 6484829
- 5x 6195371
- 2x 302101
- 2x 6246885
- 2x 6249552
- 2x 6009016
- 2x 4550171
- 1x 4515347
- 1x 6483018
- 4x 6018101
- 2x 6388641
- 2x 4560178
- 5x 4243812
- 17x 379501
- 2x 4113915
- 13x 4114306
- 2x 4121921
- 8x 4118790
- 2x 6223291
- 9x 4166138
- 2x 4249019
- 2x 6093864
- 2x 6330584
- 8x 6231857
- 1x 6341972
- 1x 306221
- 2x 6223427
- 2x 459921
- 4x 6378120
- 2x 6210269
- 1x 6399645
- 2x 4142865
- 5x 302321
- 4x 241221
- 3x 6275080
- 2x 300321
- 12x 300221
- 1x 6129995
- 1x 6431120
- 2x 300121
- 9x 6170487
- 1x 6253828
- 10x 4181138
- 1x 6130004
- 1x 416221
- 1x 383221
- 2x 614123
- 26x 4206482
- 7x 302323
- 10x 6092582
- 32x 6345634
- 5x 6299413
- 2x 6469450
- 1x 302123
- 1x 4166140
- 2x 300123
- 3x 302023
- 2x 6210271
- 2x 302328
- 20x 6104342
- 12x 6188477
- 4x 6092602
- 4x 4570877
- 8x 6186009
- 2x 6440767
- 8x 6228839
- 114x 6104344
- 2x 6394948
- 1x 6219673
- 16x 6472959
- 2x 6381453
- 17x 6240030
- 3x 6271167
- 2x 6284577
- 6x 6119197
- 2x 302324
- 14x 4164073
- 1x 6130008
- 11x 6329869
- 2x 383224
- 4x 6168646
- 4x 307026
- 4x 4504382
- 1x 6344752
- 2x 6438919
- 4x 6371584
- 5x 6024730
- 1x 4653822
- 114x 6279875
- 4x 4109810
- 1x 6092664
- 6x 6143850
- 2x 4253815
- 32x 6092585
- 4x 4121966
- 1x 393826
- 1x 6338799
- 1x 6350725
- 12x 6323668
- 4x 6267045
- 4x 6428167
- 1x 6116604
- 1x 243126
- 12x 6174917
- 1x 302026



12x
4243819



1x
6058341



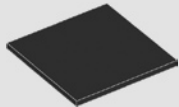
3x
4181144



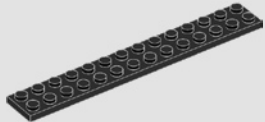
4x
373826



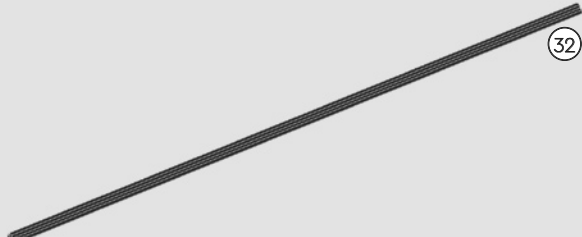
2x
303426



1x
6155125



5x
6001494



2x
6210821



20x
6472962



8x
4121739



12x
6021787



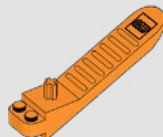
24x
6067913



4x
4650977



11x
6472965



1x
6240515



8x
4528604



2x
6092591



8x
6335228



2x
6396392



2x
6047415



2x
4550168



4x
6015452



2x
6328307



2x
6257599



56x
6355025



11x
4267874



2x
4550329



28x
6472958



6x
6006524



6x
4251796



4x
6215341



1x
6134252



48x
6170418



16x
6436421



34x
4539481



36x
6347715



6x
4211399



2x
6336539



1x
6380605



128x
6343976



2x
6271165



1x
4211412



5x
6258831



8x
6439041



10x
6326748



5x
6250597



9x
6275844



4x
6321303



88x
4211503



33x
6183784



2x
4211483



5x
4211535



4x
4211476



60x
6308012



6x
4211399



2x
6336539



2x
4211389



2x
6362975



2x
6345639



2x
4213567



4x
6443149



26x
6248890



2x
4514195



2x
6225246



8x
6261375



22x
6326078



16x
4211475



2x
6052200



1x
6482568



16x
4211526



10x
4512360



1x
6380605



1x
6268924



104x
6173127



2x
4642934



42x
4211398



6x
6261353



2x
6382725



11x
6134378



11x
4211357



4x
6326078



2x
6435915



1x
6313114



1x
6092111



1x
6123809



2x
6213378



4x
6043656



1x
6265694



20x
4657366



1x
4558690



1x
6004990



2x
4654580



2x
4211568



18x
6446028



19x
6319336



56x
6093527



5x
6212077



2x
6045988



58x
6456718



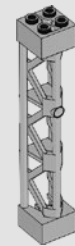
19x
6116608



2x
4211815



2x
6043639



2x
6186292



1x
4211655



4x
6335279



6x
6438836



4x
4211429



1x
4558169



10x
6211969



1x
4580510



2x
6118827



58x
6456718



19x
6116608



2x
4211396



17x
4211445



7x
4211356



5x
6457283



1x
6257599



6x
6416524



9x
4211395



2x
4560183



2x
4211639



7x
6440545



6x
4565433

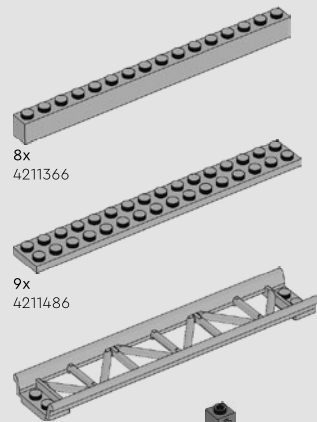
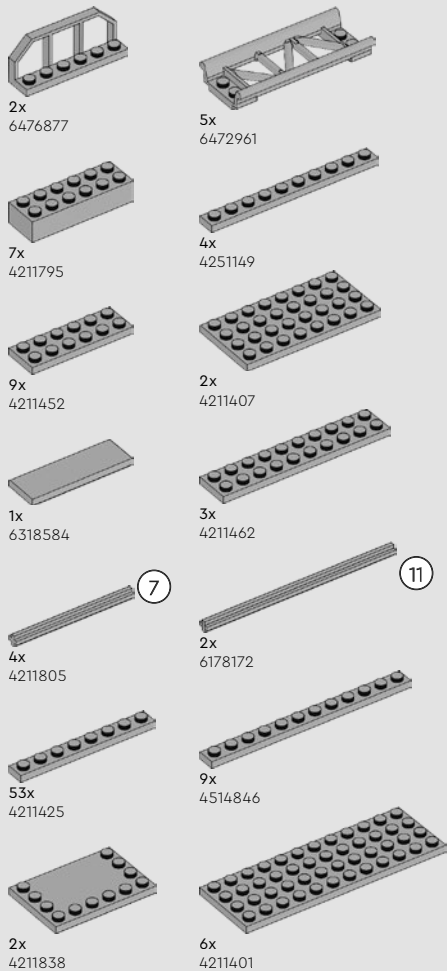


1x
6383116



2x
4211393





4

7

11



YOU COULD WIN



YOU COULD WIN

Your feedback will help shape the future development of this product series.

Visit:

DU KÖNNTEST GEWINNEN

Dein Feedback trägt zur Weiterentwicklung dieser Produktreihe bei.

Geh auf:

VOUS POURRIEZ GAGNER

Vos commentaires nous aideront à concevoir les futurs produits de cette gamme.

Visitez :

POTRESTI VINCERE TU

La tua opinione ci aiuterà a migliorare la creazione futura di questa linea di prodotti.

Visita:

PUEDES GANAR

Tu opinión contribuirá al futuro de esta serie de productos.

Visita:

轻松获奖

您的反馈将有助于我们在今后改进本产品系列。

请访问:

LEGO.com/productfeedback

You also have the chance to win a LEGO® set.

Terms and conditions apply.*

Außerdem hast du die Chance, ein LEGO® Set zu gewinnen.

Es gelten die Teilnahmebedingungen.*

Vous pourriez également gagner un ensemble LEGO®.

Des conditions s'appliquent.*

Hai anche la possibilità di vincere un set LEGO®.

Termini e condizioni sono applicabili.*

También tienes la oportunidad de ganar un set LEGO®.

Aplican términos y condiciones.*

您还有机会赢取乐高®套装。

条款和条件适用。*

*LEGO.com/productfeedback-terms

LEGO and the LEGO logo are trademarks of the LEGO Group. ©2024 The LEGO Group. 6516997

NASA Insignia and identifiers provided and used with permission of NASA.

This product is developed in collaboration with the European Space Agency (ESA) for the purpose of fostering children's interest in space science.
ESA is not involved in the manufacturing and commercialisation of this product.

