



TECHNIC

42166



LEGO® Builder



Get excited about our new packaging!

We're switching from plastic to paper-based packaging. That's why you might find a mix of paper and plastic in our boxes!

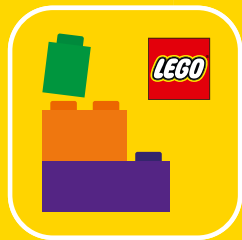
Nos nouveaux emballages vous emballeront !

Nous passons des emballages en plastique aux emballages à base de papier. C'est pourquoi vous pourriez trouver un mélange de papier et de plastique dans nos boîtes !

¡Te presentamos nuestros nuevos empaques!

Estamos sustituyendo las bolsas de plástico por bolsas con base de papel. ¡Por eso, puedes encontrar una mezcla de papel y de plástico en nuestras cajas!

[LEGO.com/sustainable-packaging](https://www.lego.com/sustainable-packaging)



Q LEGO® Builder

BUILDER

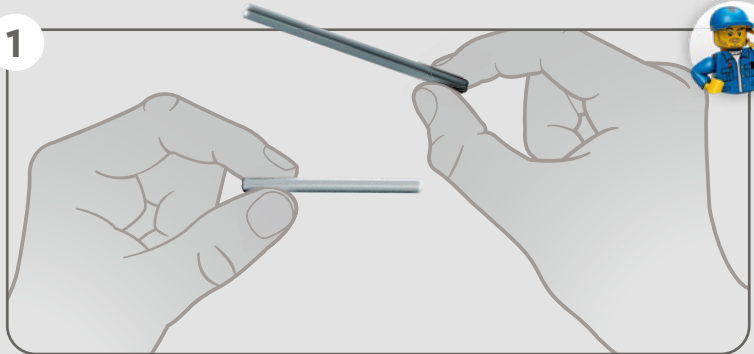


Apple and the Apple logo are trademarks of Apple Inc., registered in the U.S. and other countries and regions. App Store is a service mark of Apple Inc. Google Play and the Google Play logo are trademarks of Google LLC. Tencent and the Tencent logo are trademarks of Tencent Inc.

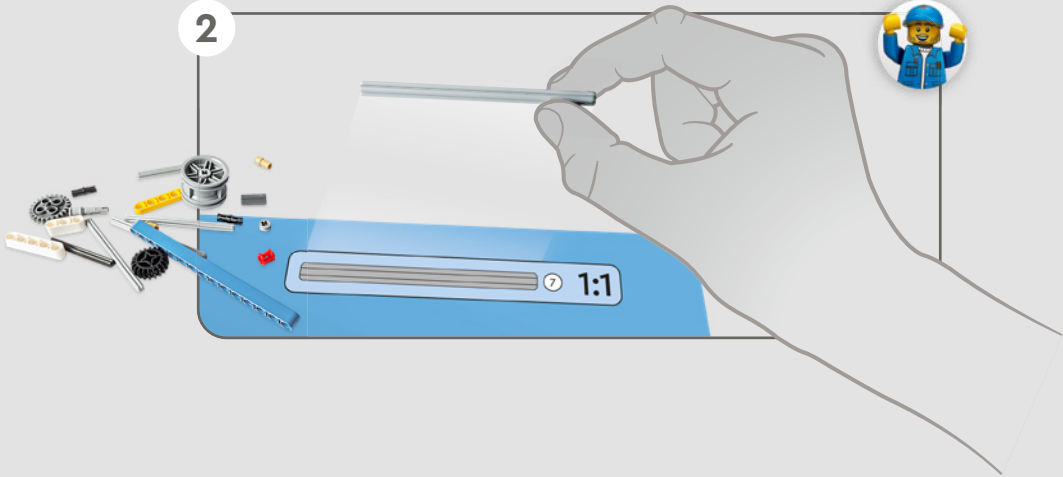
Q [LEGO.com/devicecheck](https://lego.com/devicecheck)

EN Ask parents' permission before going online | **DE** Eltern um Erlaubnis bitten, bevor du online gehst | **FR** Demande l'autorisation d'un parent avant d'aller en ligne | **IT** Chiedi il permesso ai tuoi genitori prima di andare online | **ES** Pídeles permiso a tus papás antes de conectarte a Internet | **PT** Pede autorização aos pais antes de acederes online | **ZH** 上网前应先征得父母的同意 | **PL** Poproś rodziców o zgodę, zanim wejdziesz do Internetu | **CS** Než půjdeš na internet, požádej rodiče o svolení | **SK** Skôr než pôjdeš na internet, vypýtaj si povolenie od rodičov | **HU** Kérj szülői engedélyt, mielőtt online csatlakoznál! | **RO** Cere permisiunea părinților înainte de a te conecta online | **BG** Поискайте разрешение от родител, преди да влезете онлайн | **LV** Pirms došanās tiešsaistē palūdz atļauju vecākiem | **ET** Enne Interneti kasutamist küsi vanematelt luba | **LT** Prieš prisijungdami prie interneto, atsiklauskite tėvų

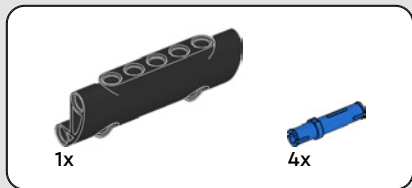
1



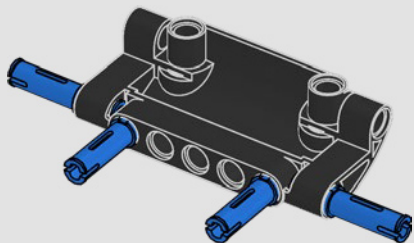
2



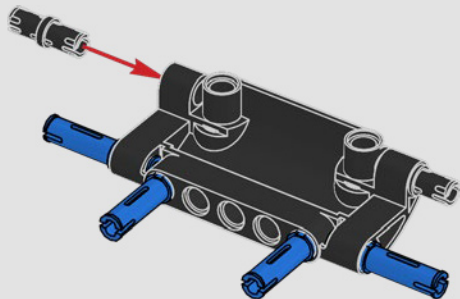




1

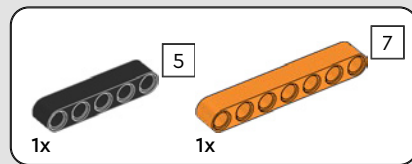
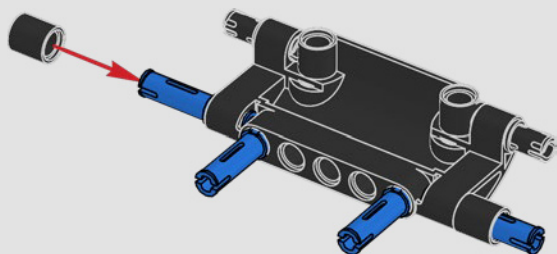


2

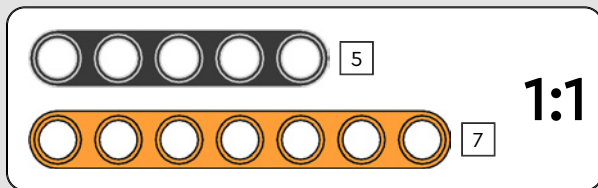
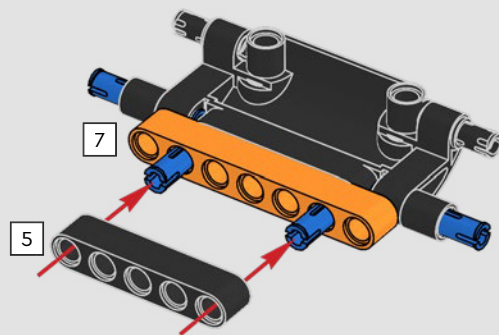




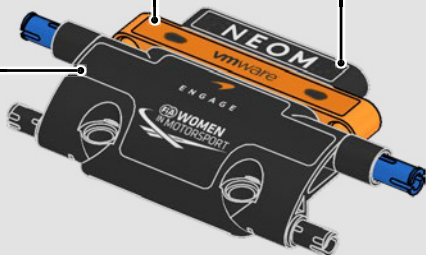
3



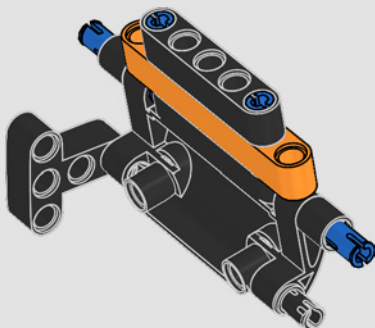
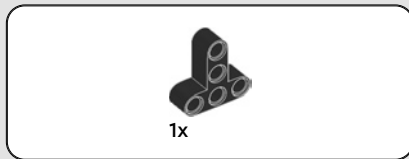
4

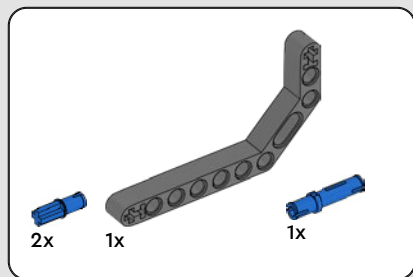


5

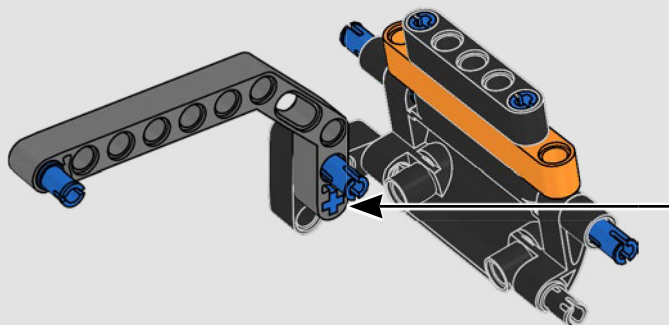
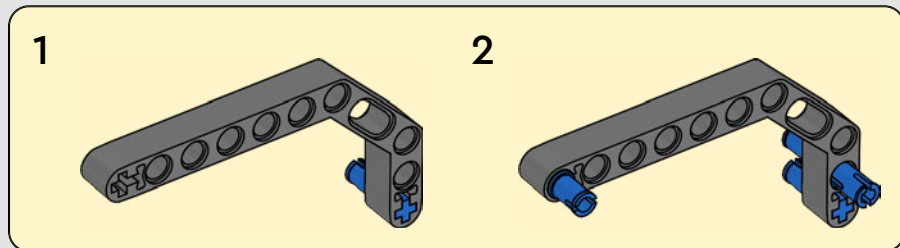


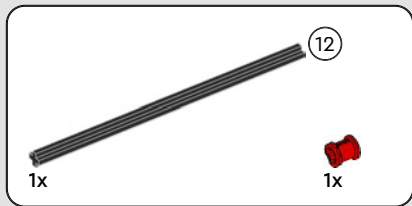
6



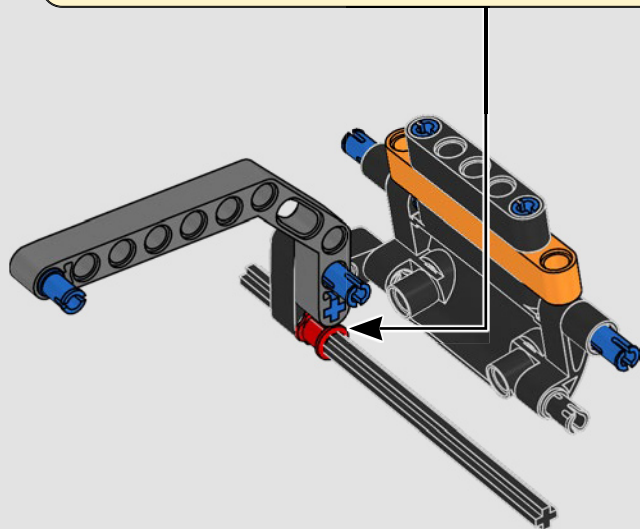
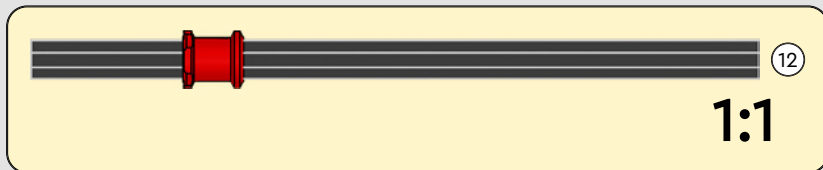


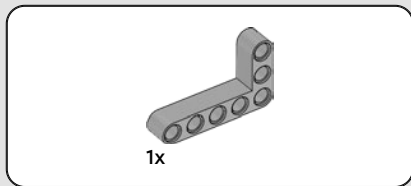
7



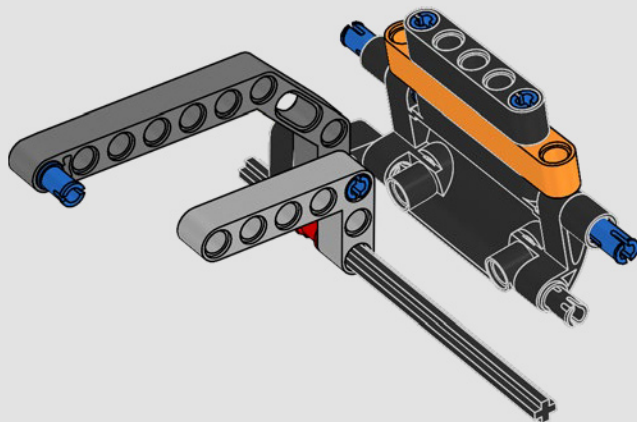


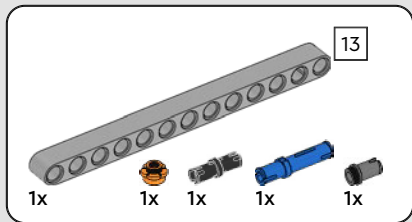
8





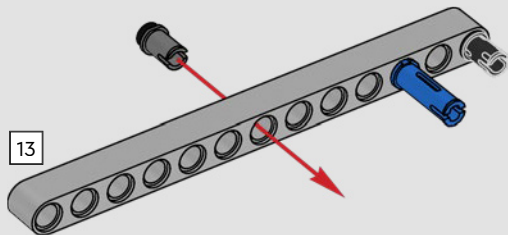
9



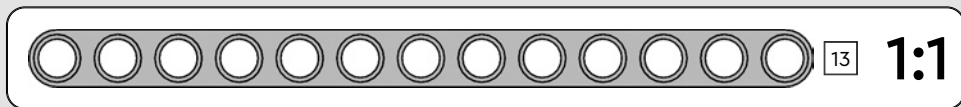
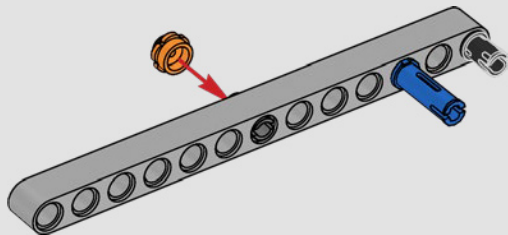


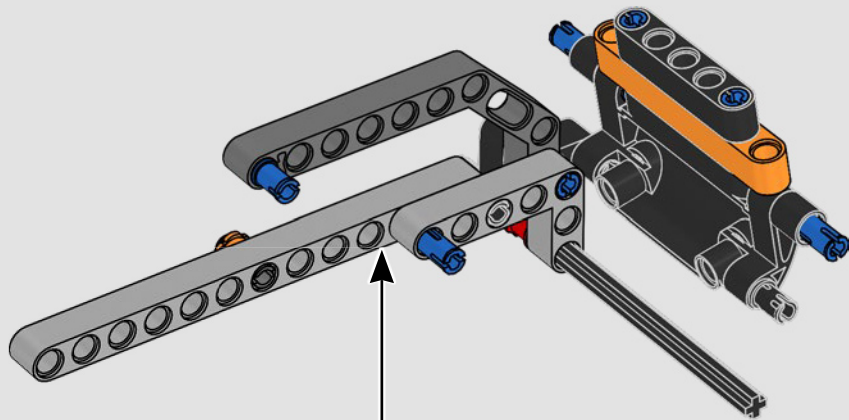
10

1



2

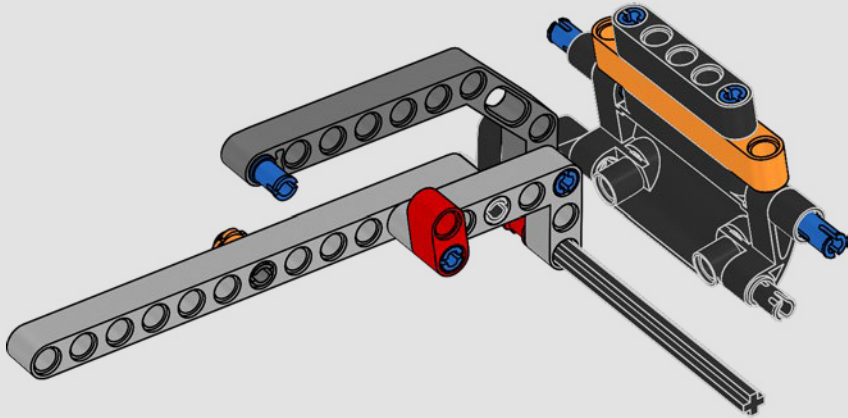


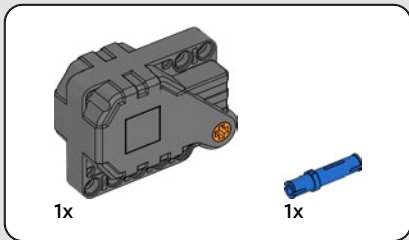




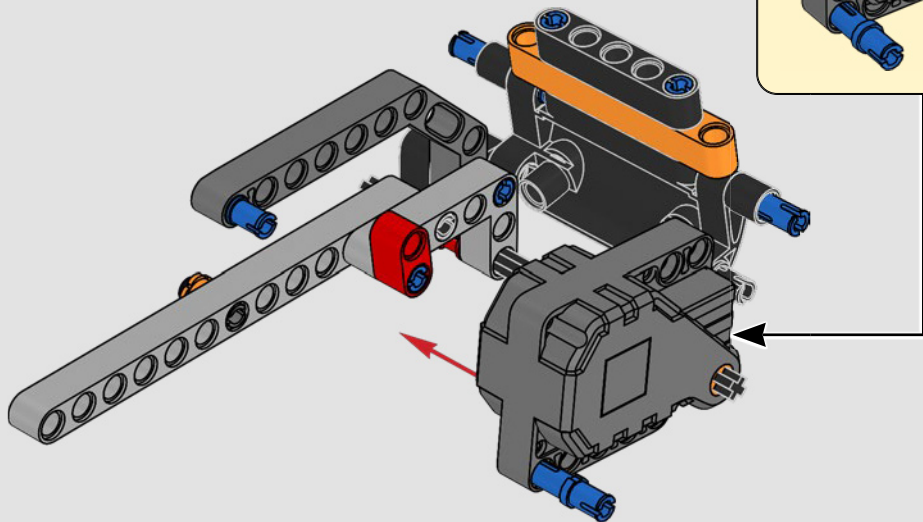
1x

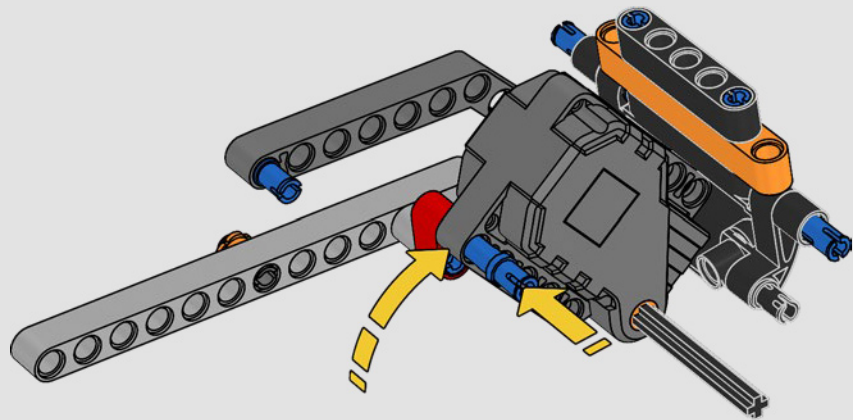
11

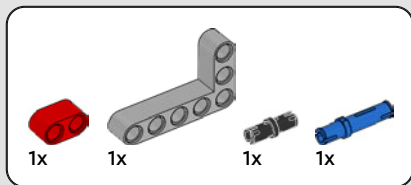




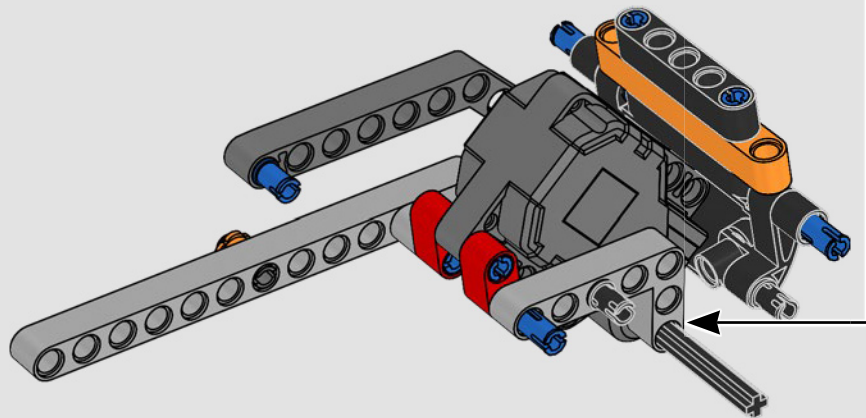
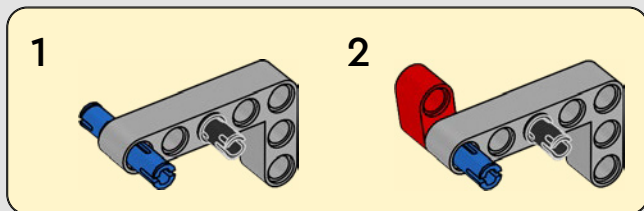
12







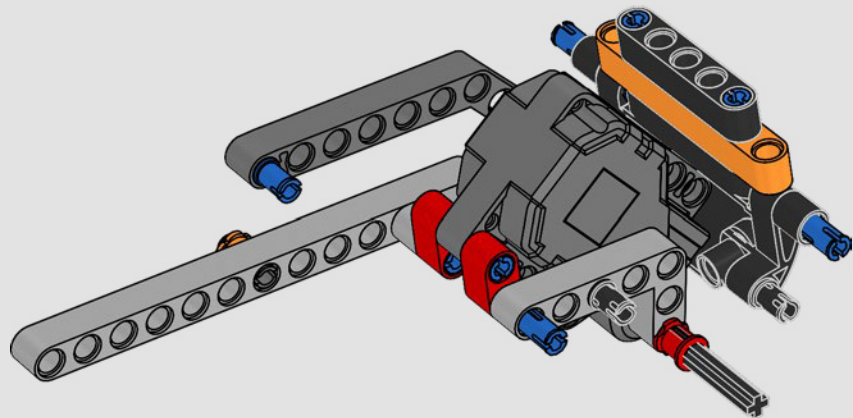
14

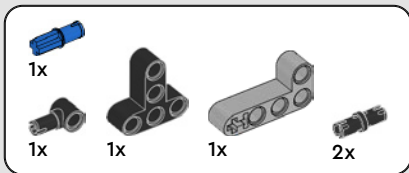




1x

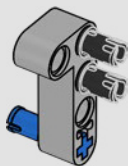
15



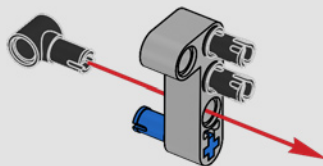


16

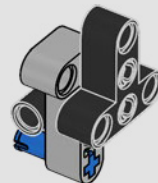
1

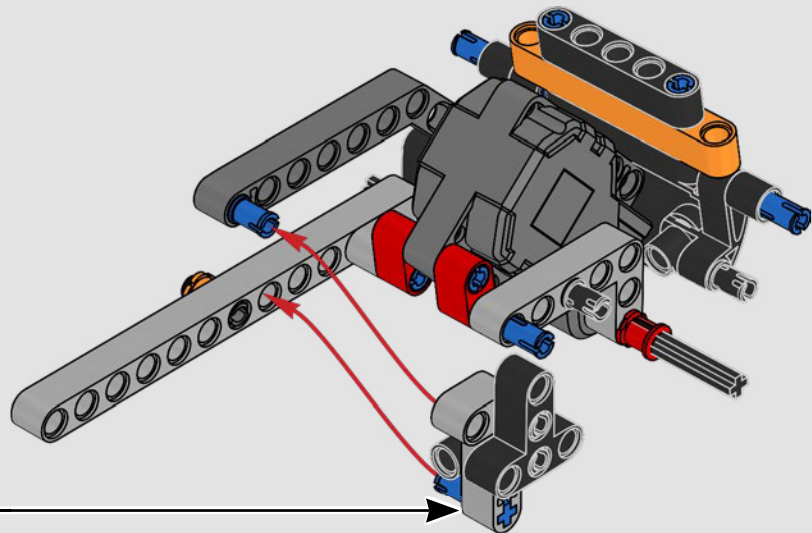


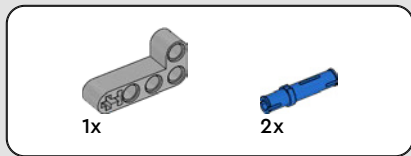
2



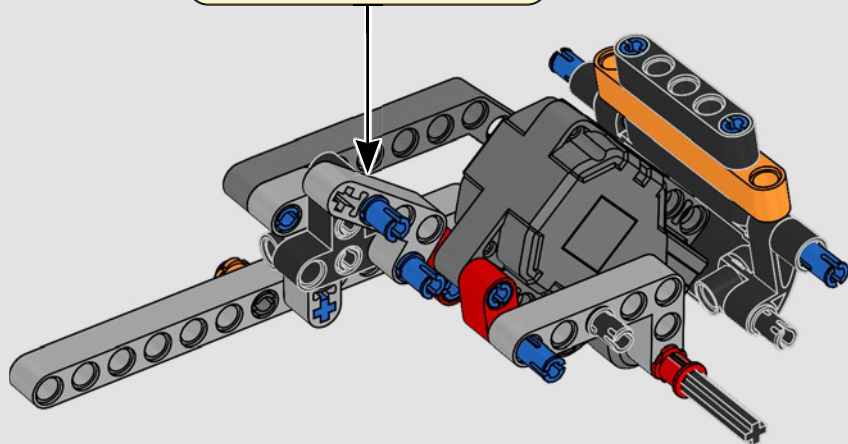
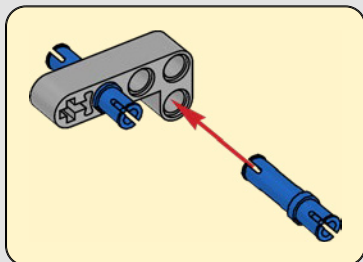
3

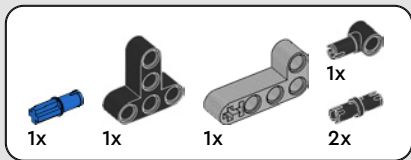




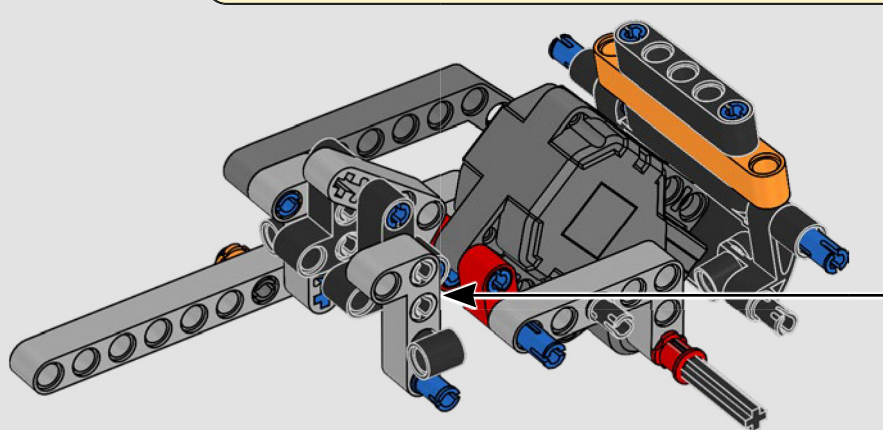
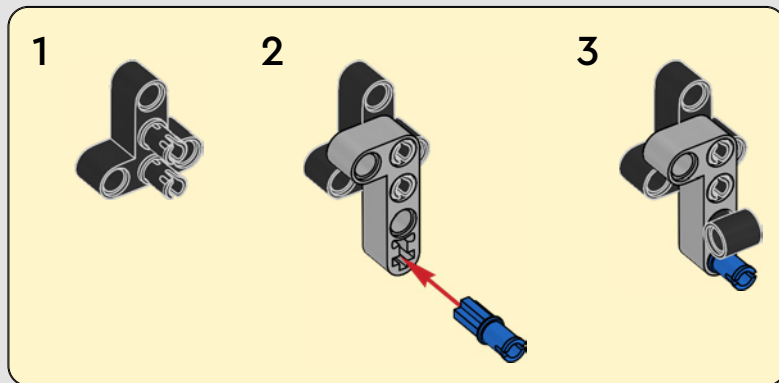


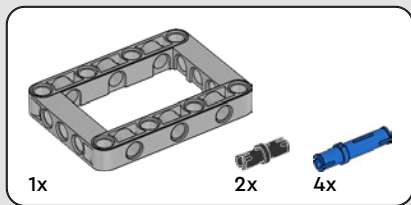
17



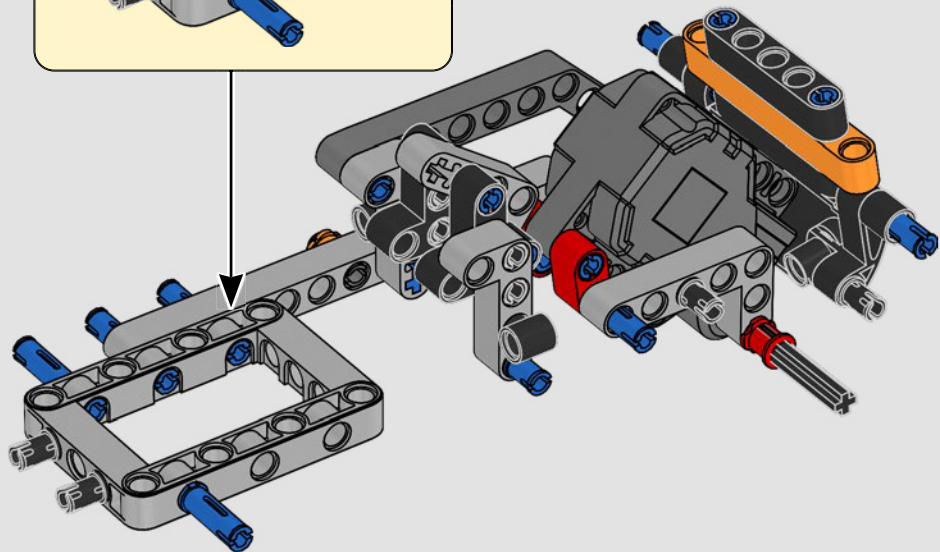
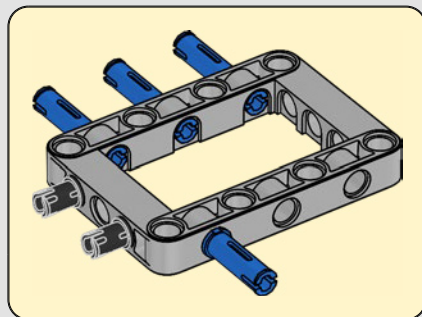


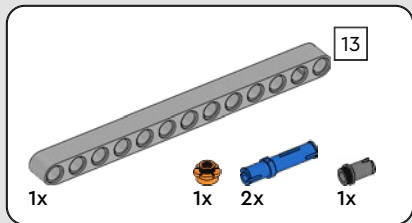
18





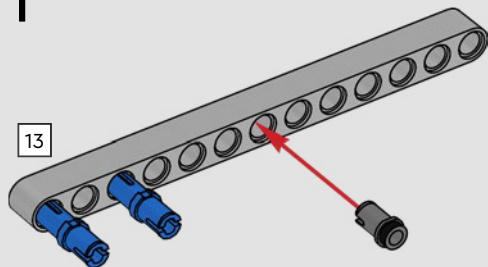
19



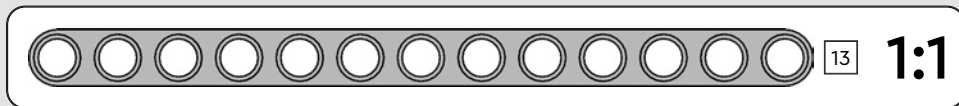
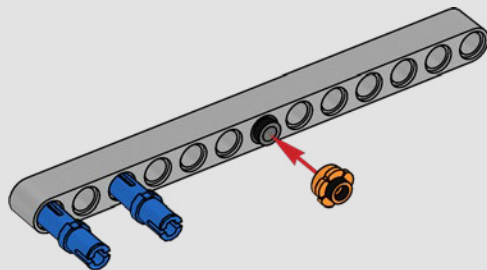


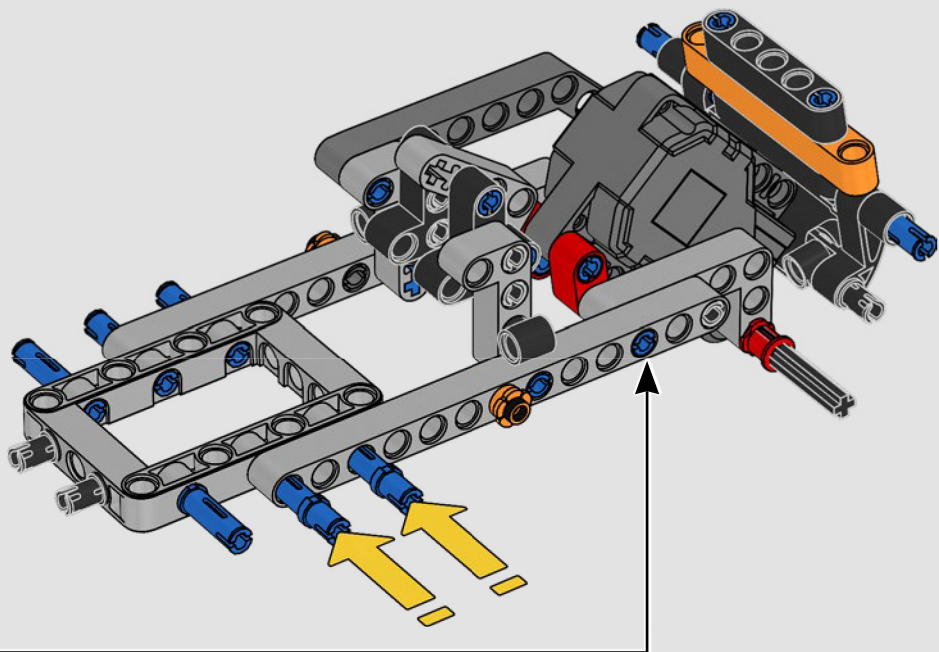
20

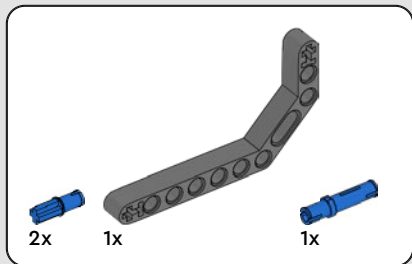
1



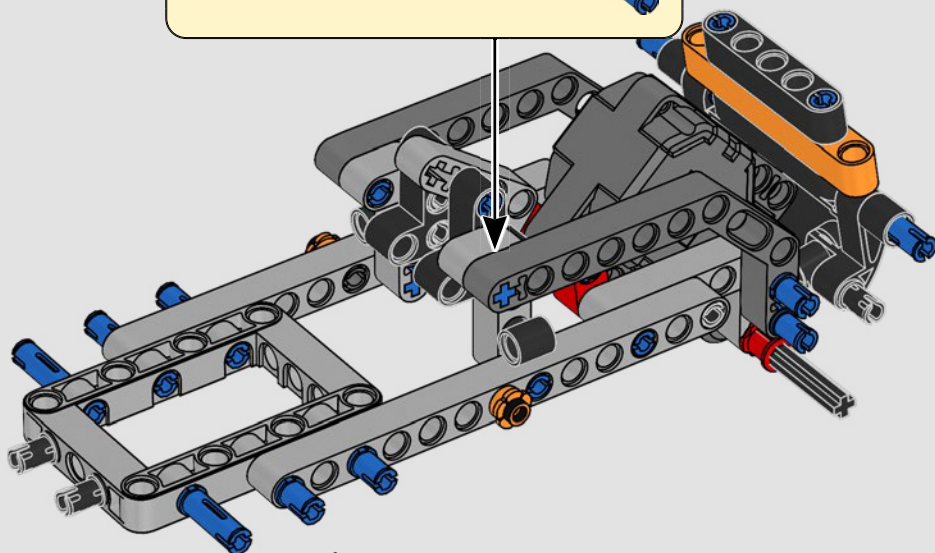
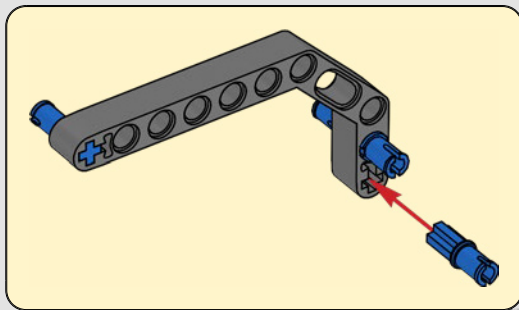
2







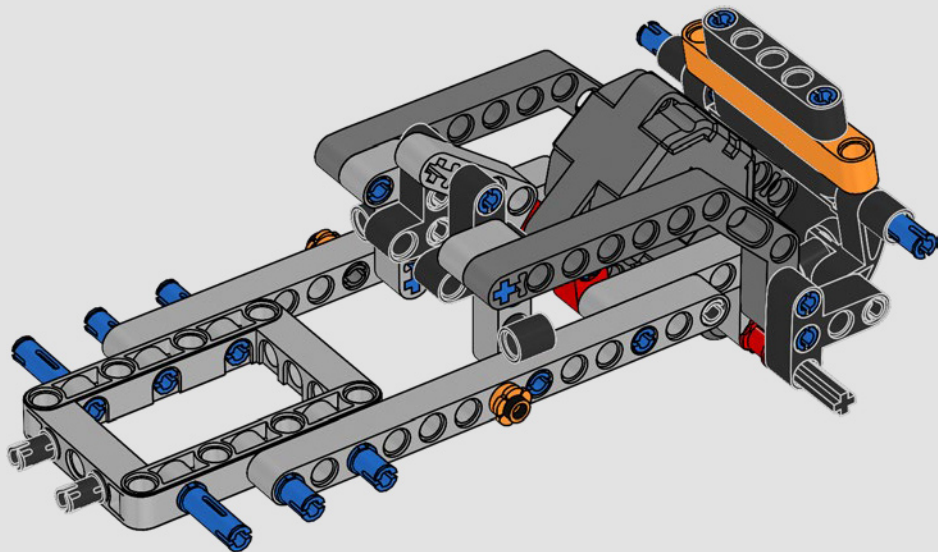
21

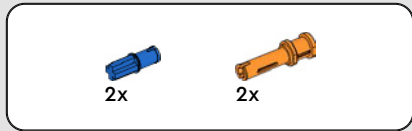




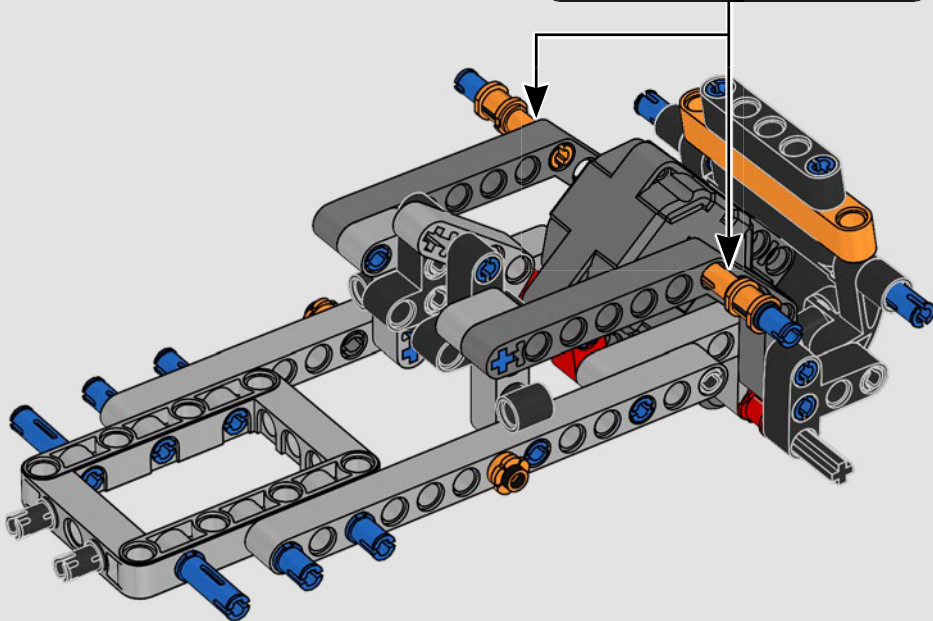
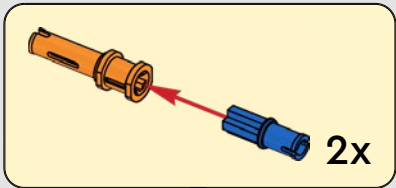
1x

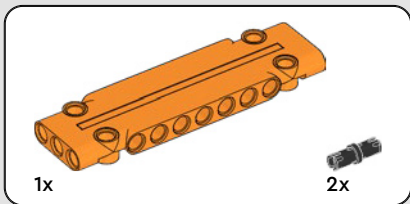
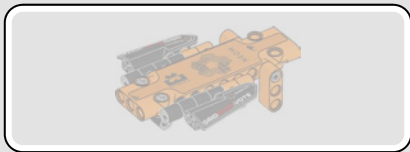
22



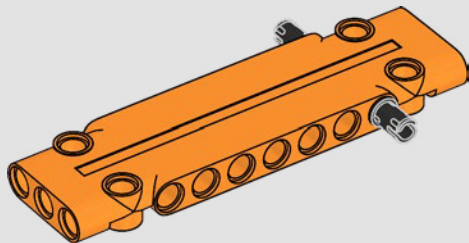


23

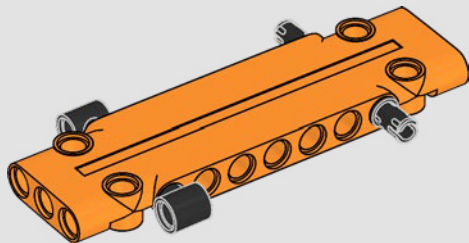




24



25



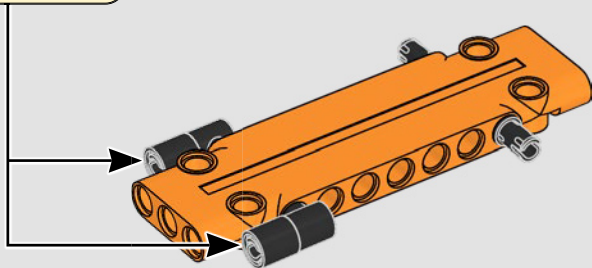
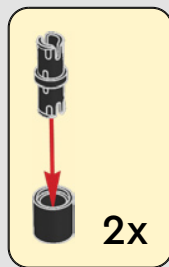


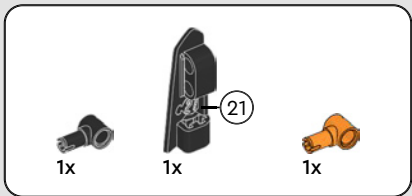
2x



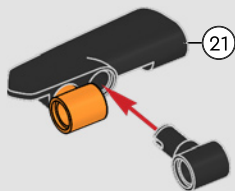
2x

26

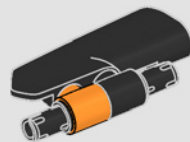


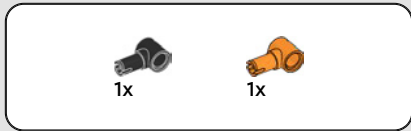


27

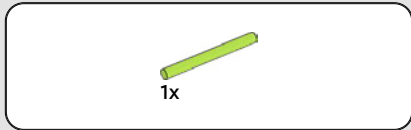
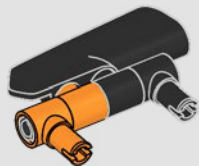


28

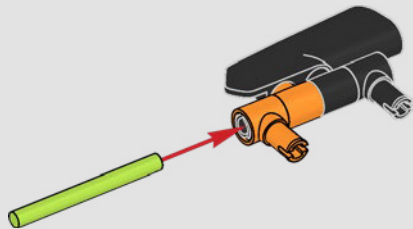




29

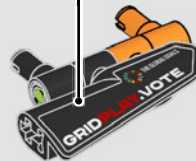


30

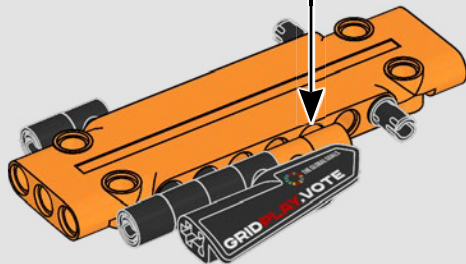


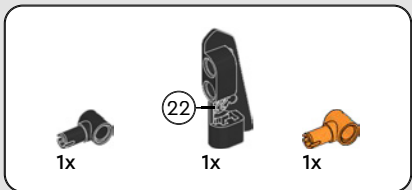
32

31

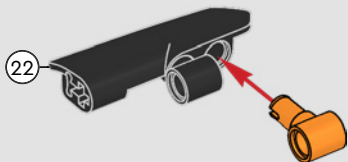


32

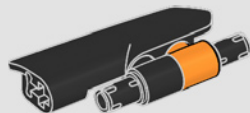




33

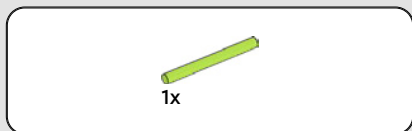
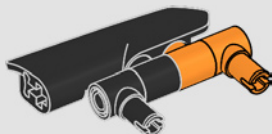


34

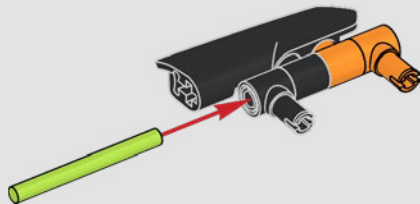




35



36



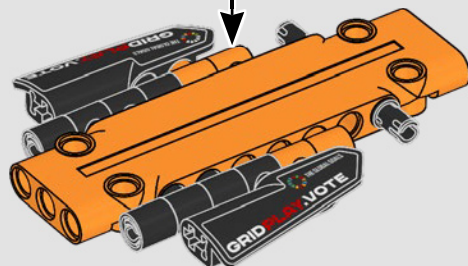
34



37



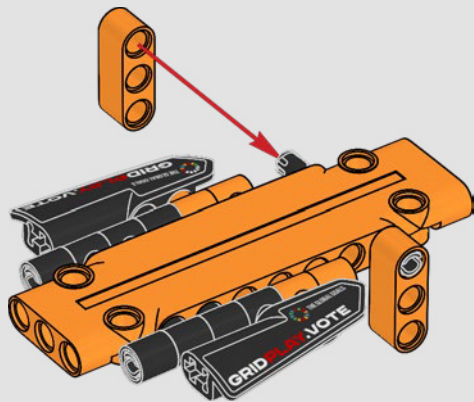
38





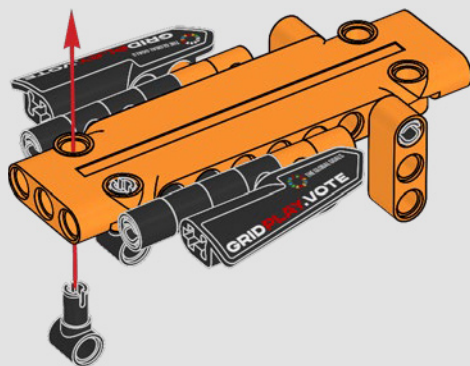
2x

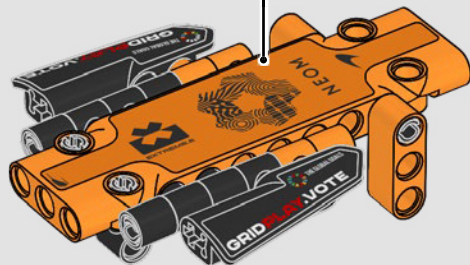
39



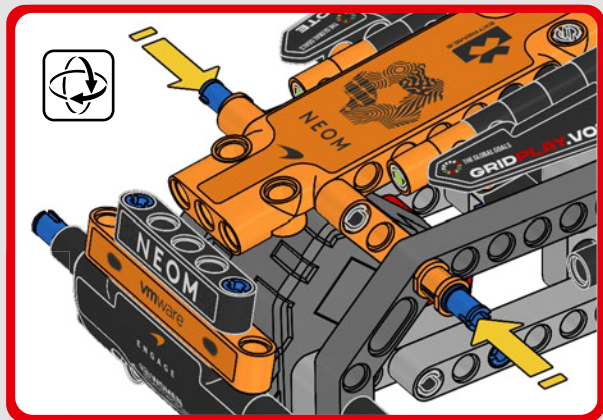
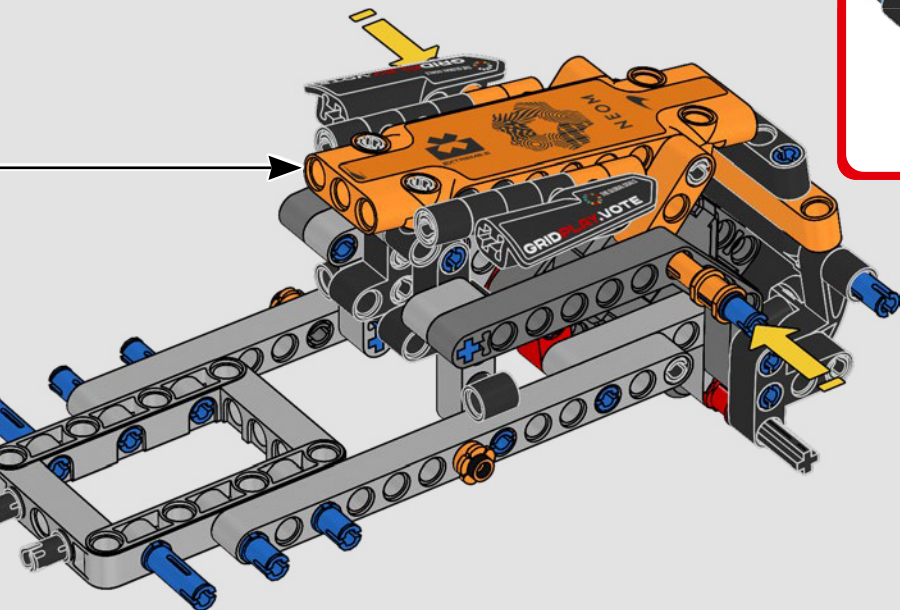
2x

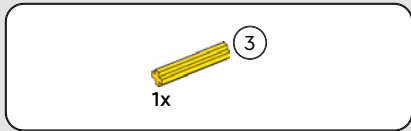
40



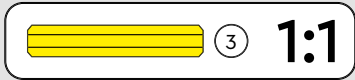
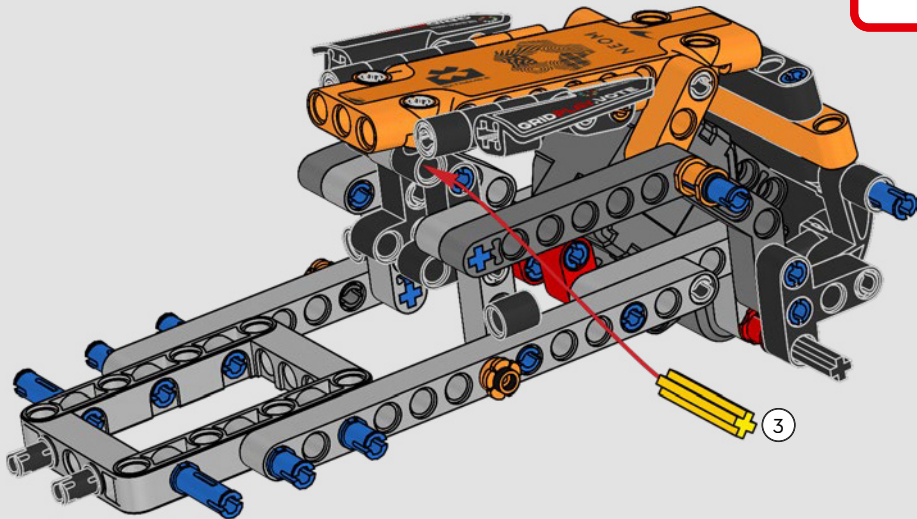
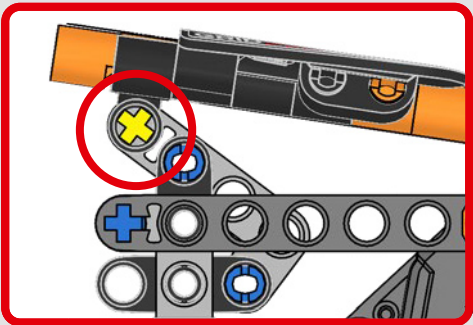


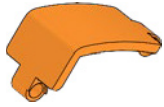
42





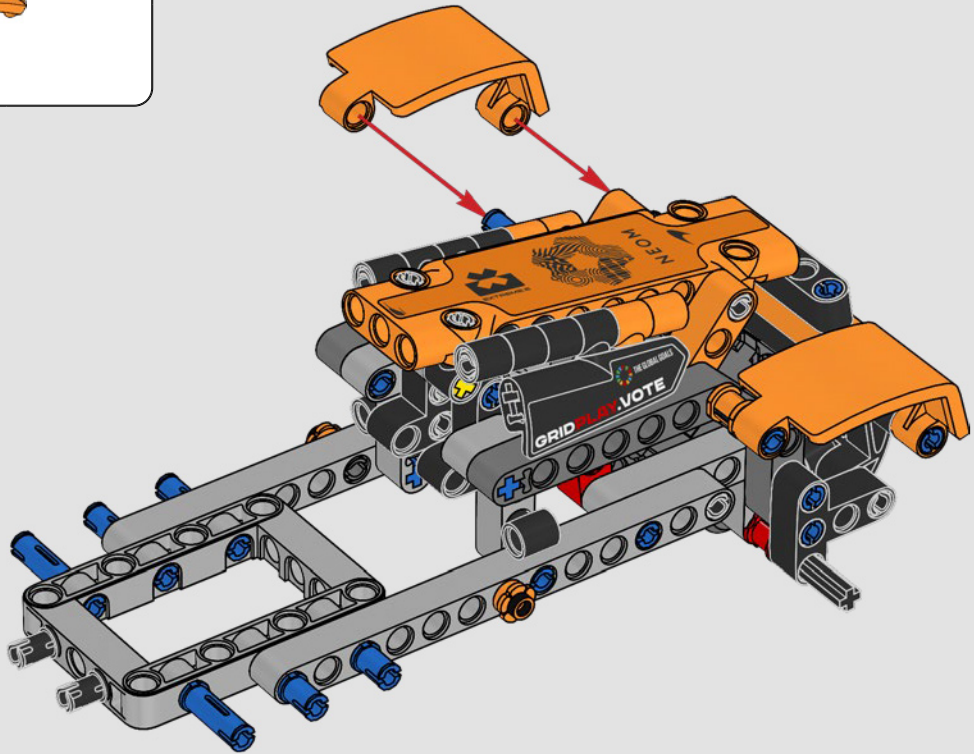
43

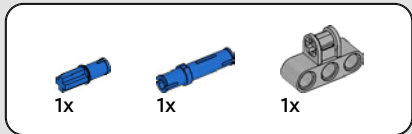




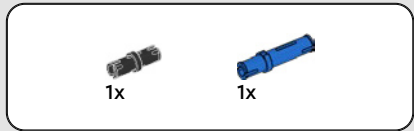
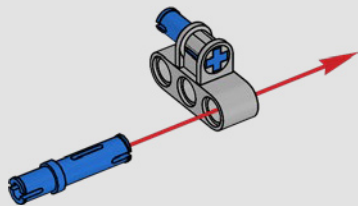
2x

44

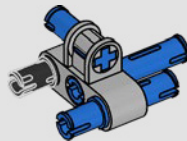




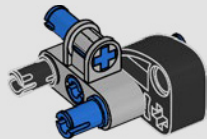
45



46



47



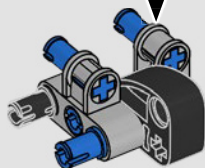


1x

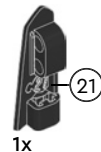


1x

48



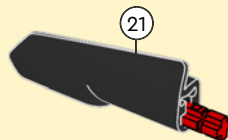
1x



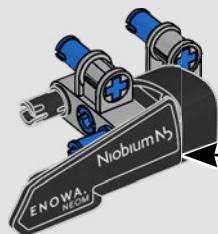
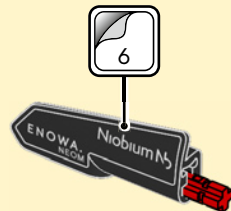
1x

49

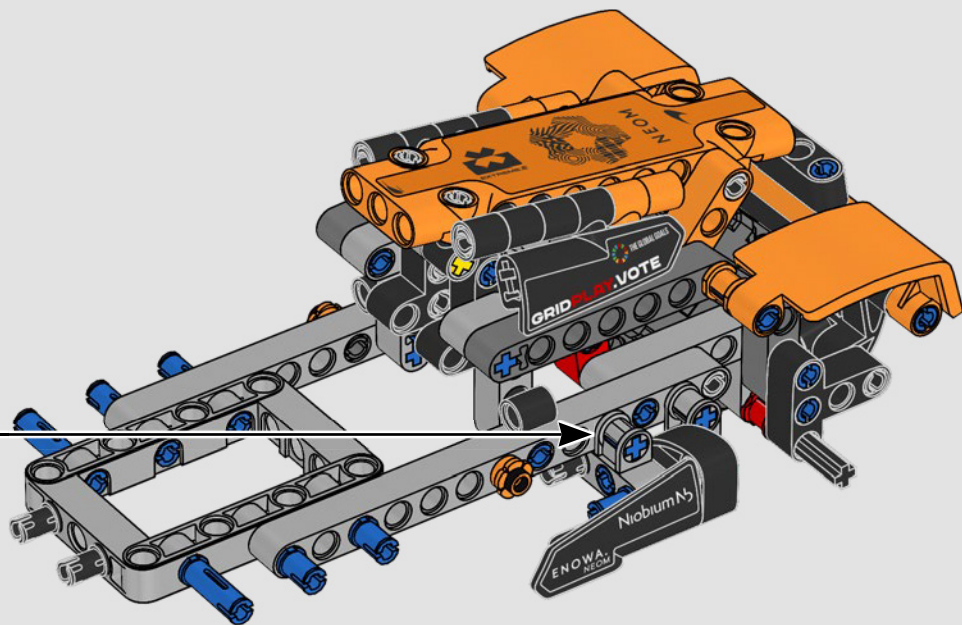
1



2

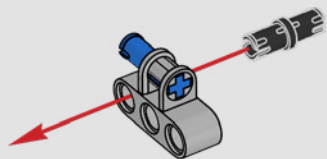


50

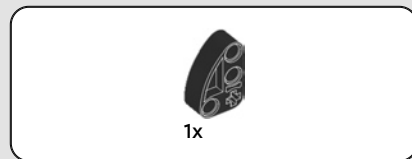
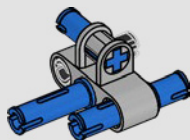




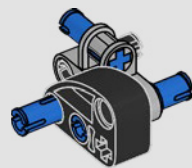
51

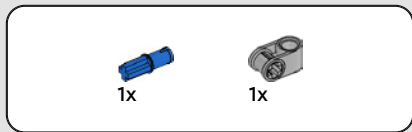


52

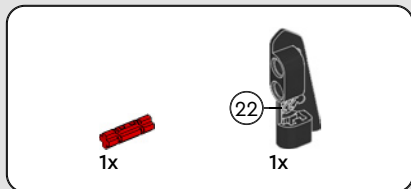
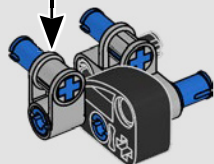


53

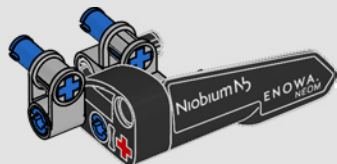
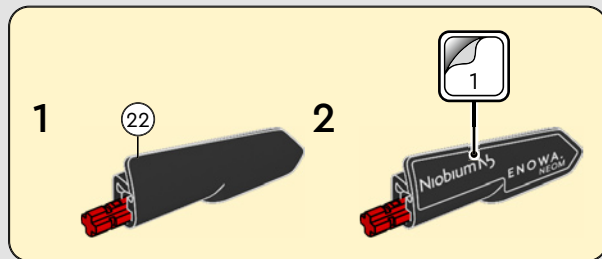




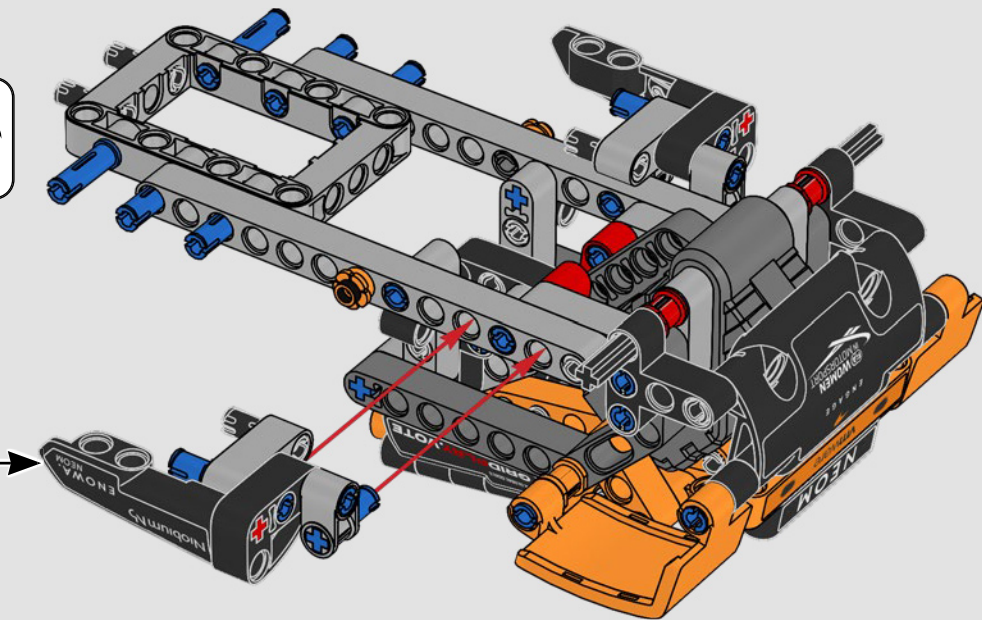
54

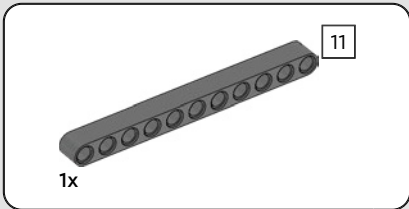


55

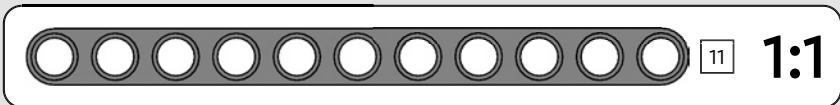
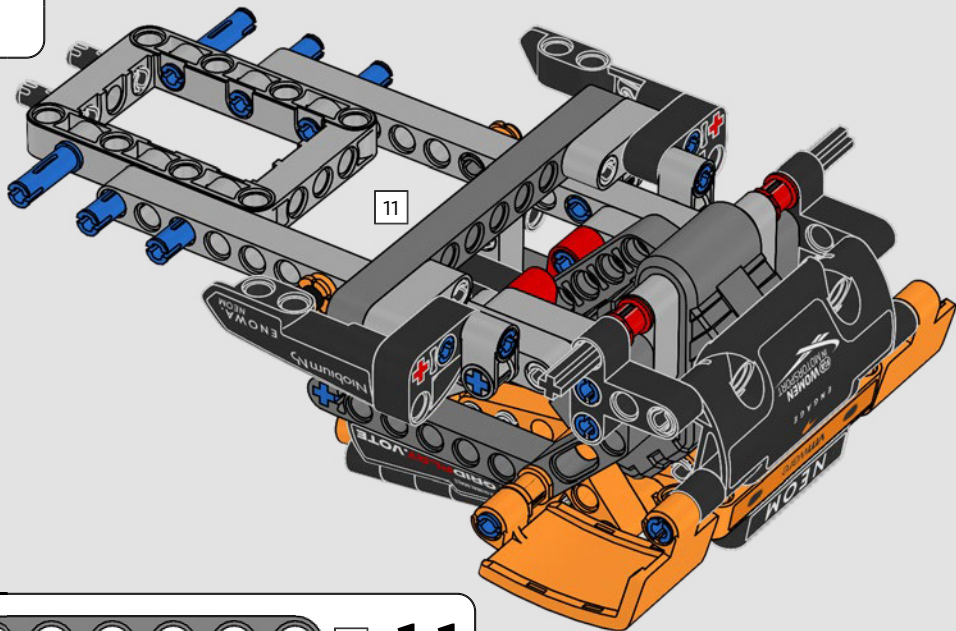


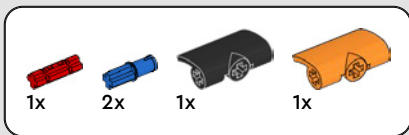
56





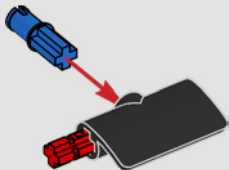
57



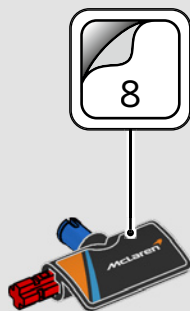


58

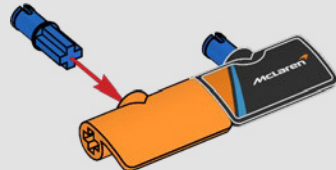
1

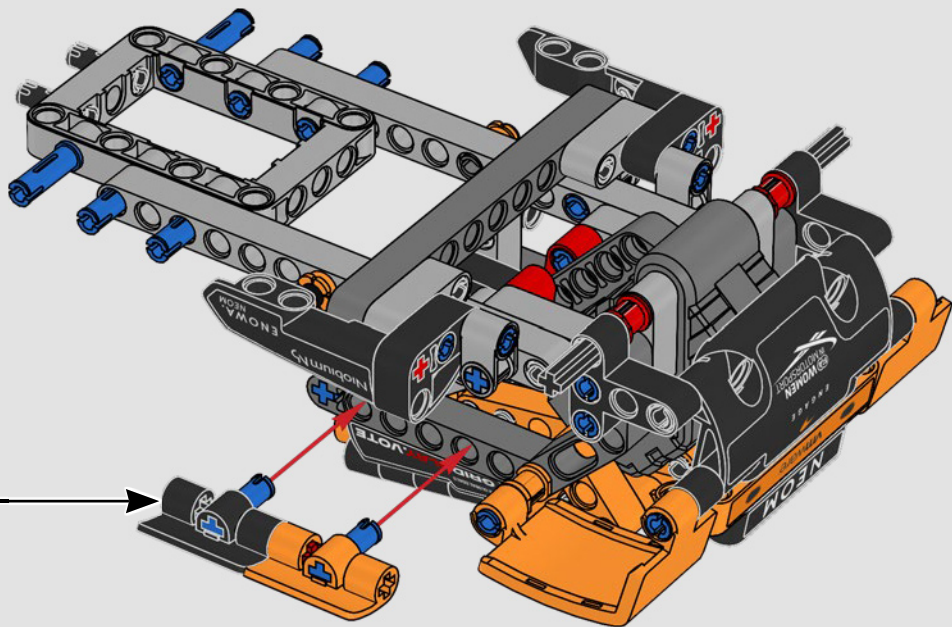


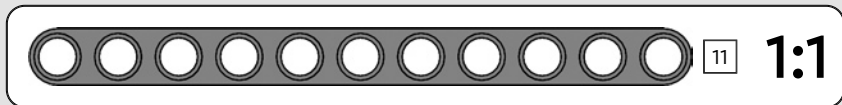
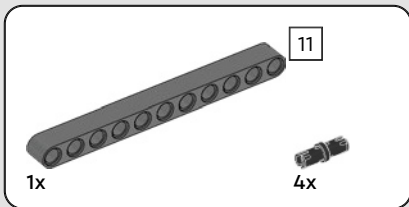
2



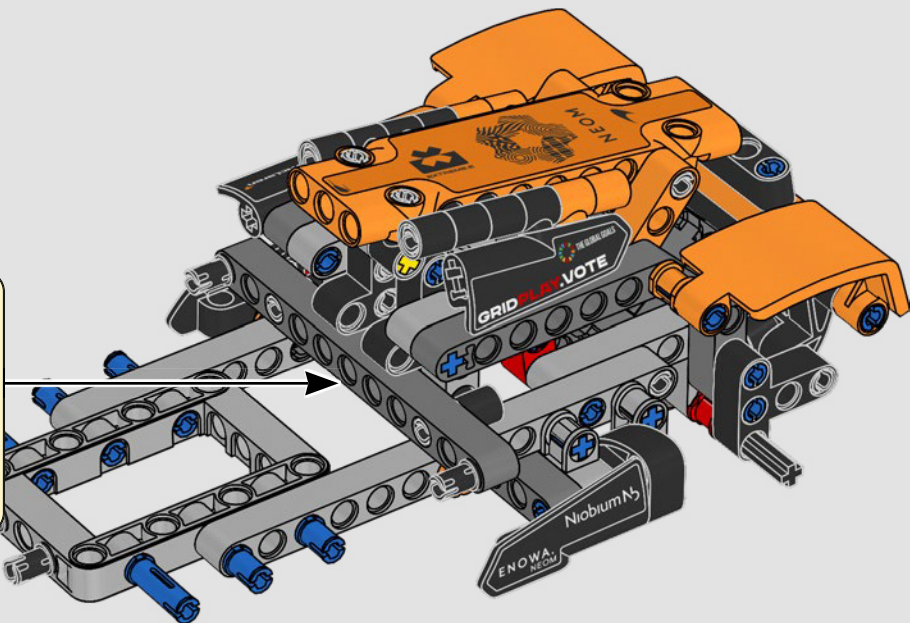
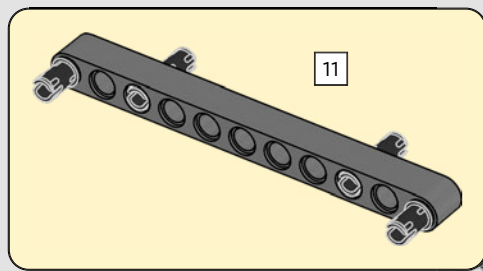
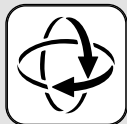
3

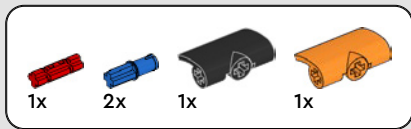






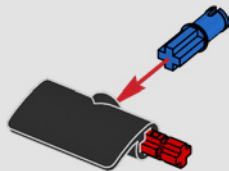
59





60

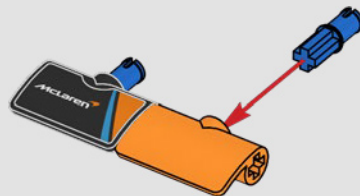
1

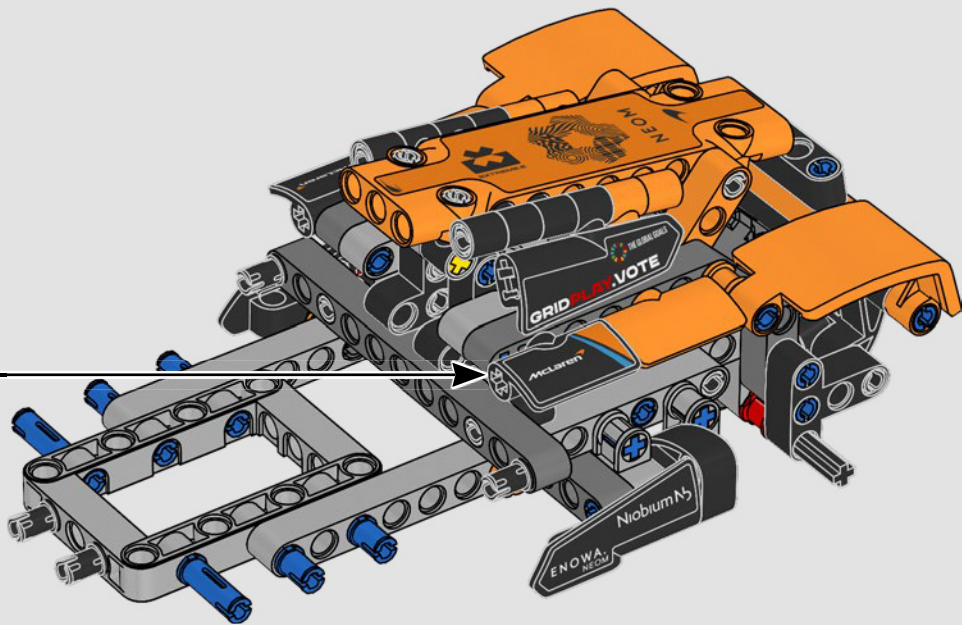


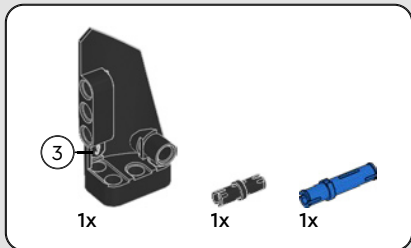
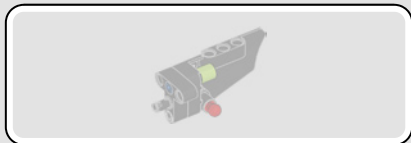
2



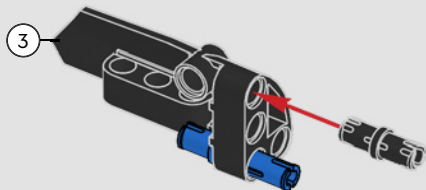
3



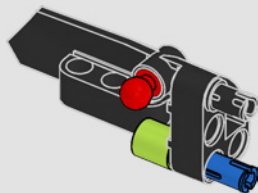




61

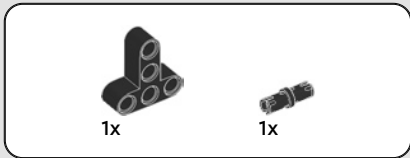


62

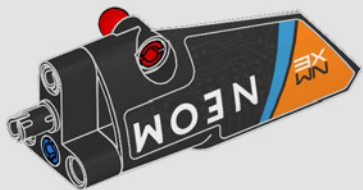


63

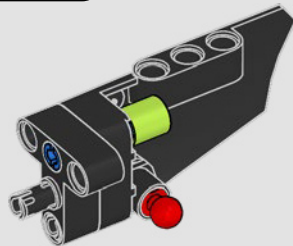




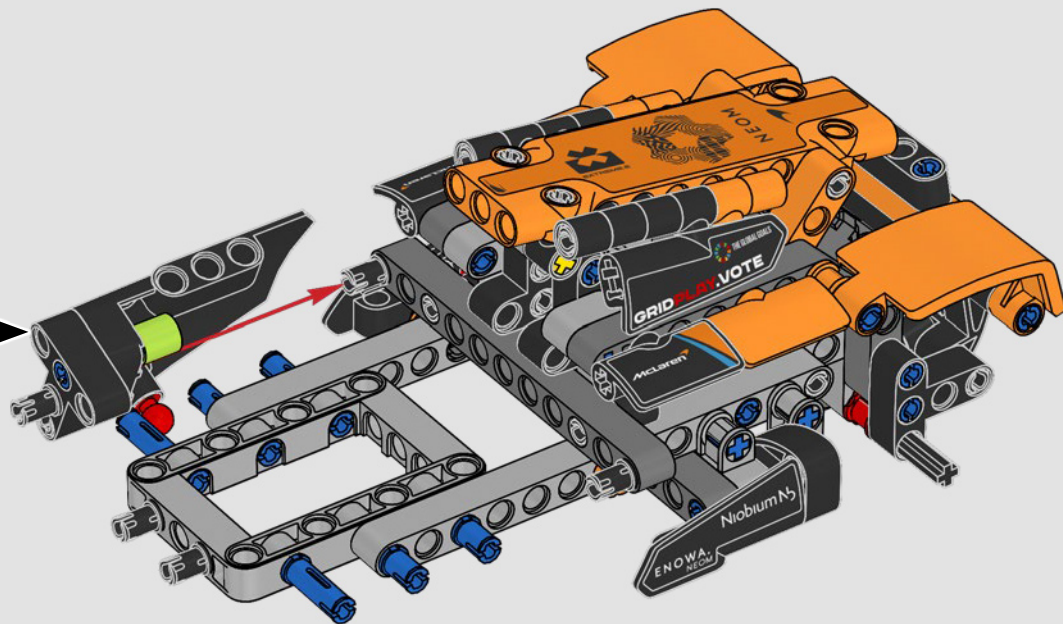
64

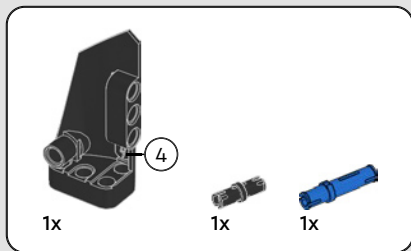


65

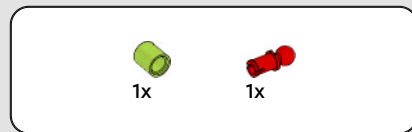
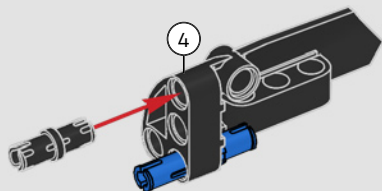


66

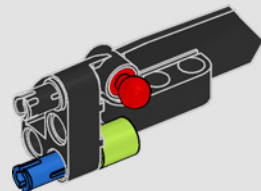


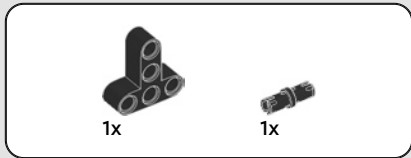


67

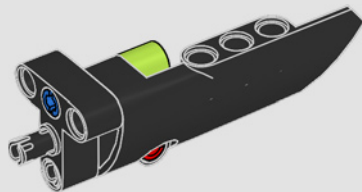


68

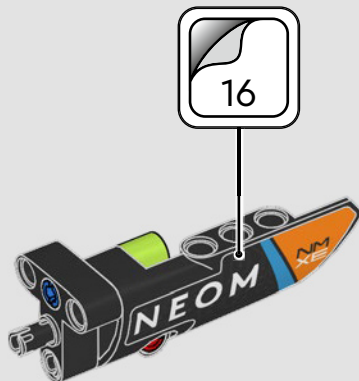


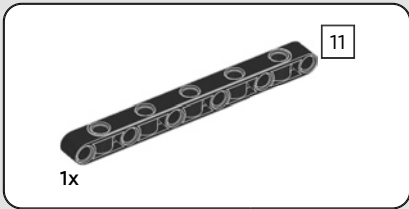


69

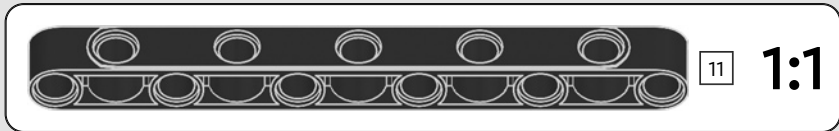
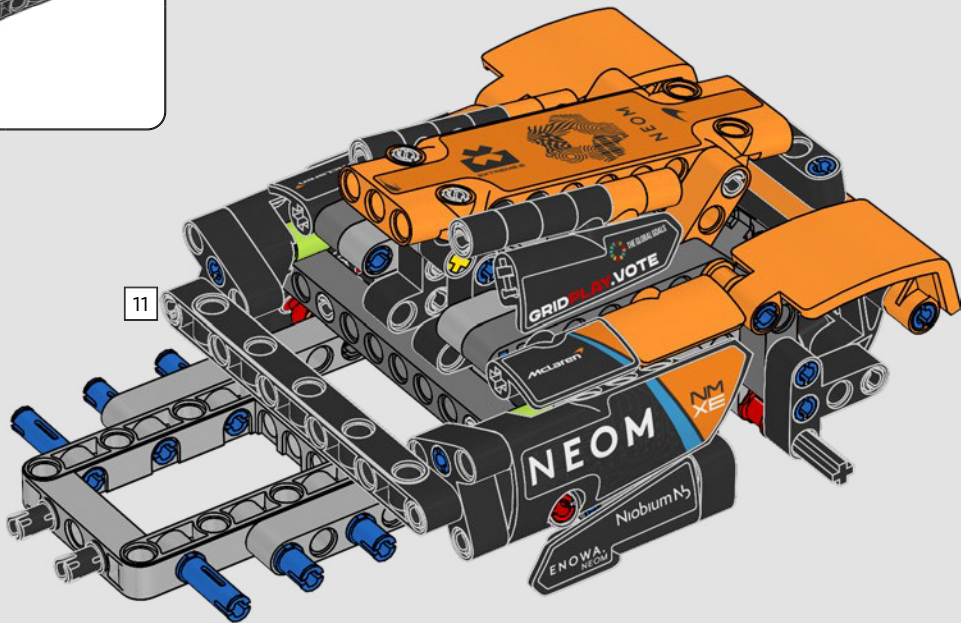


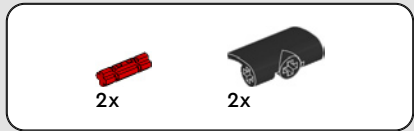
70



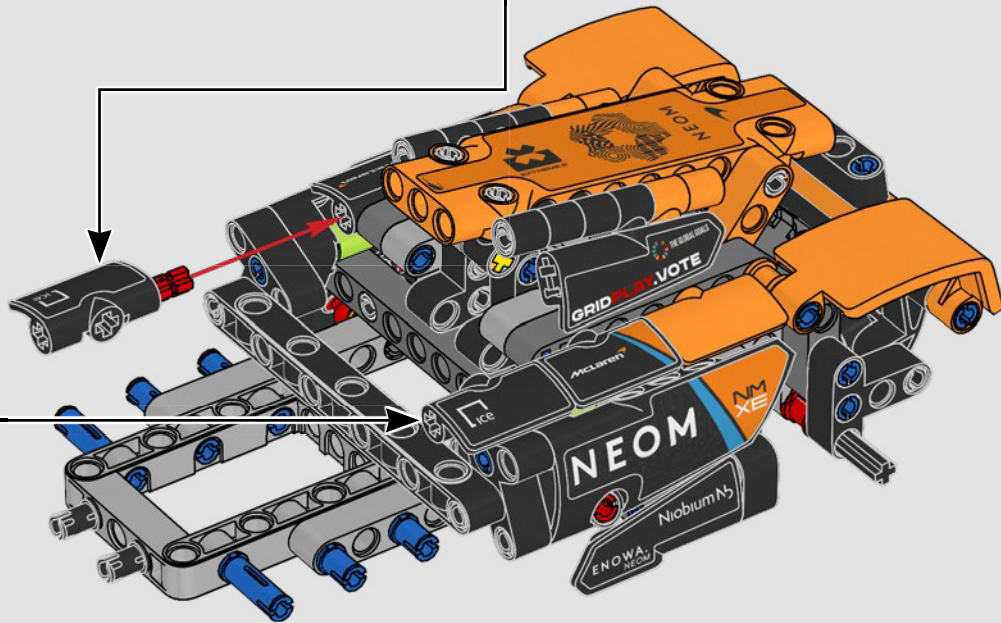
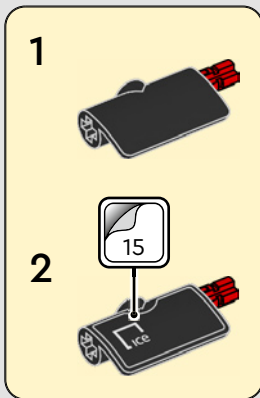
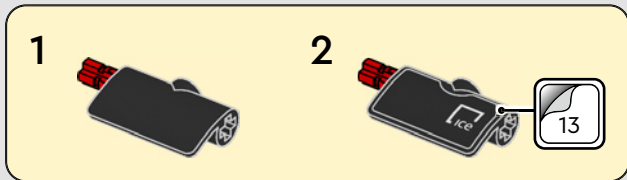


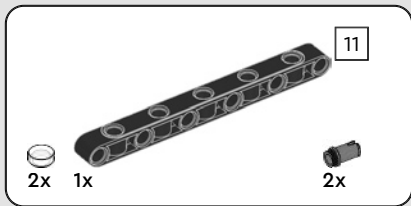
72





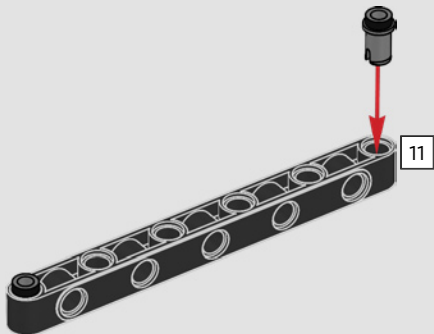
73



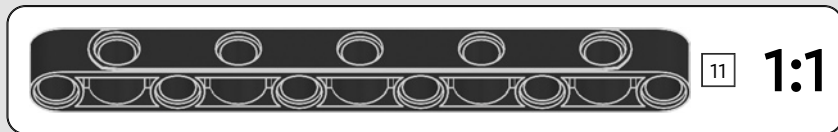
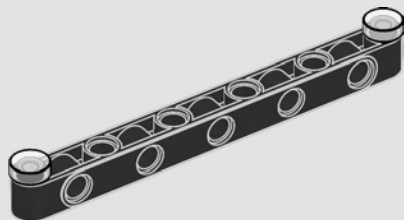


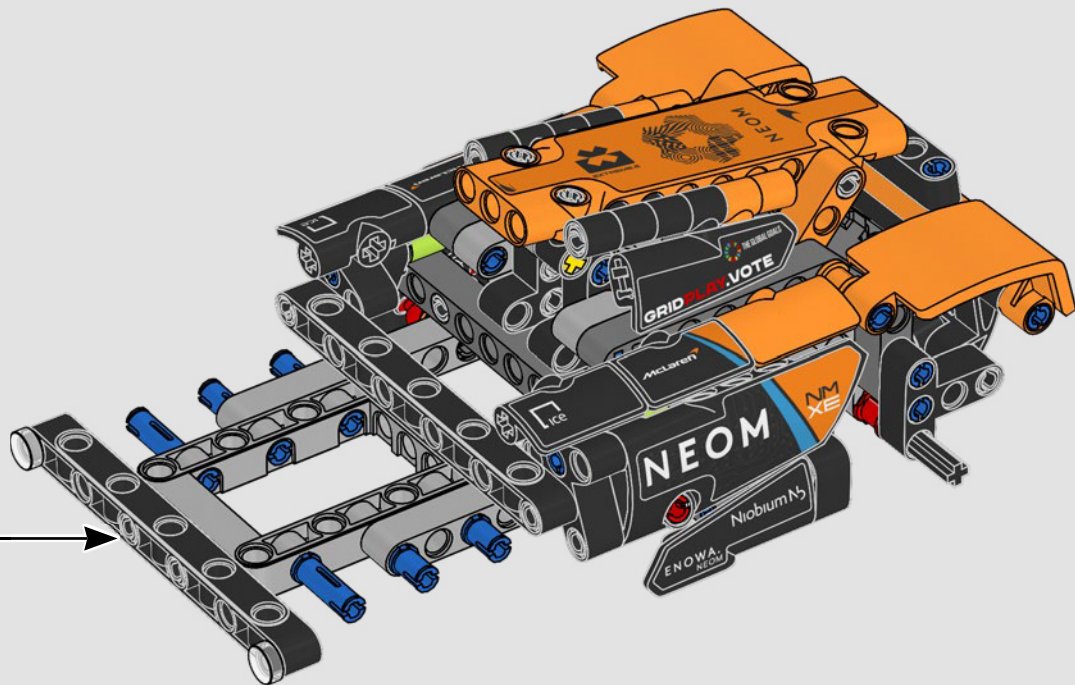
74

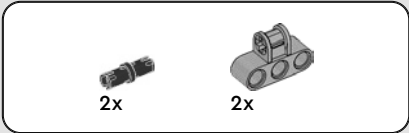
1



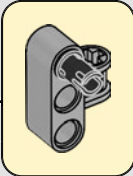
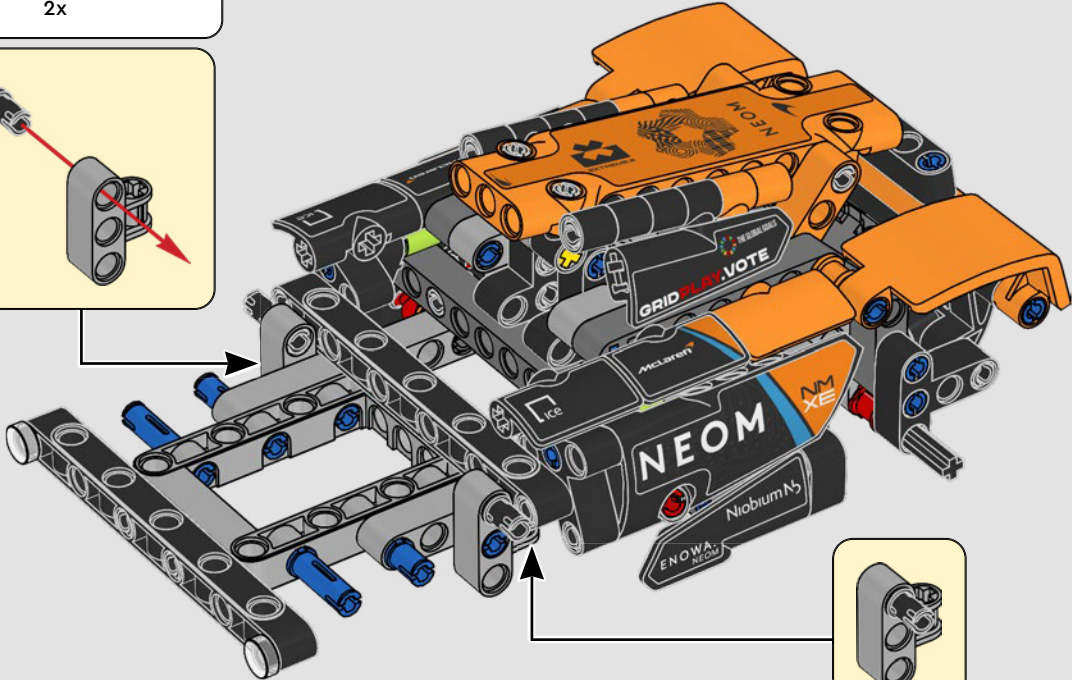
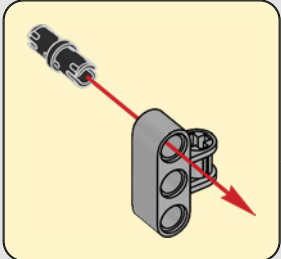
2







75



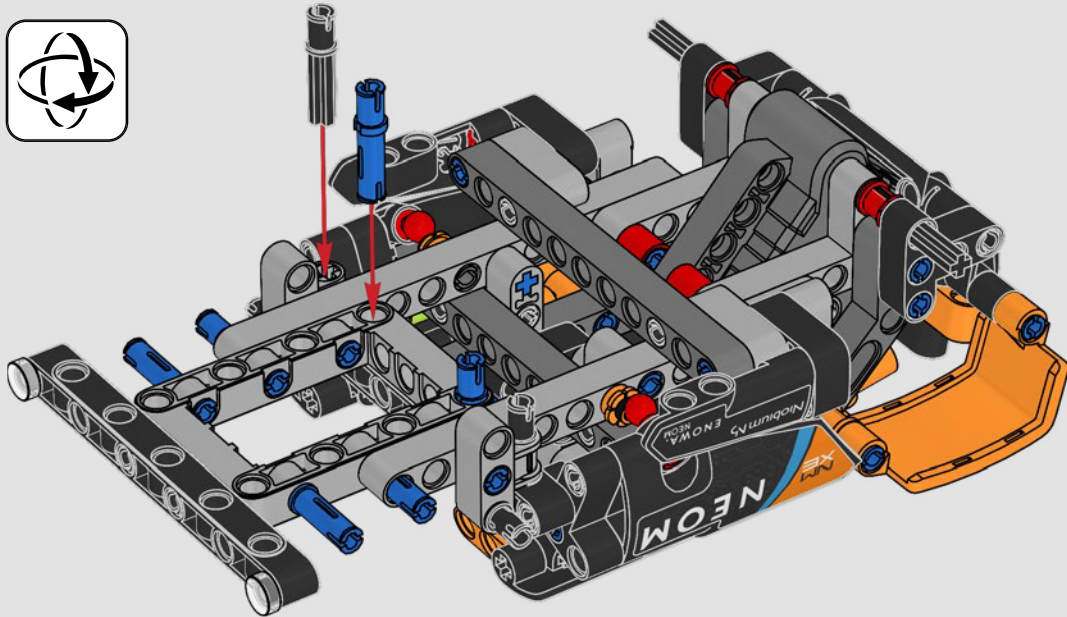


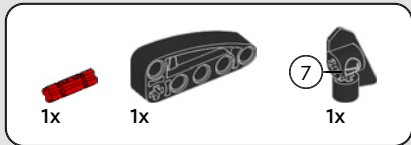
2x



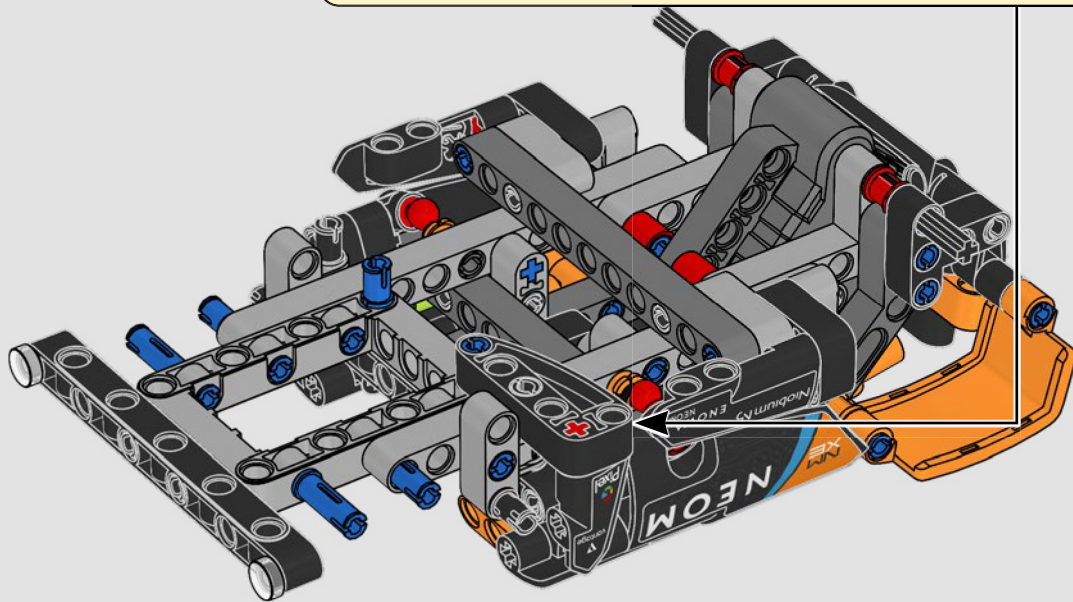
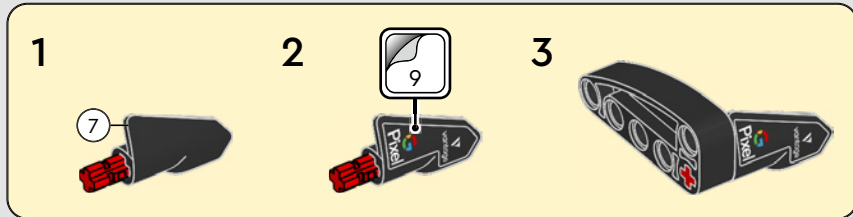
2x

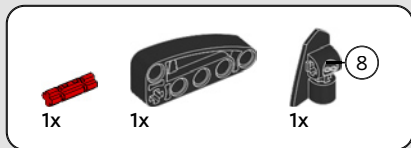
76



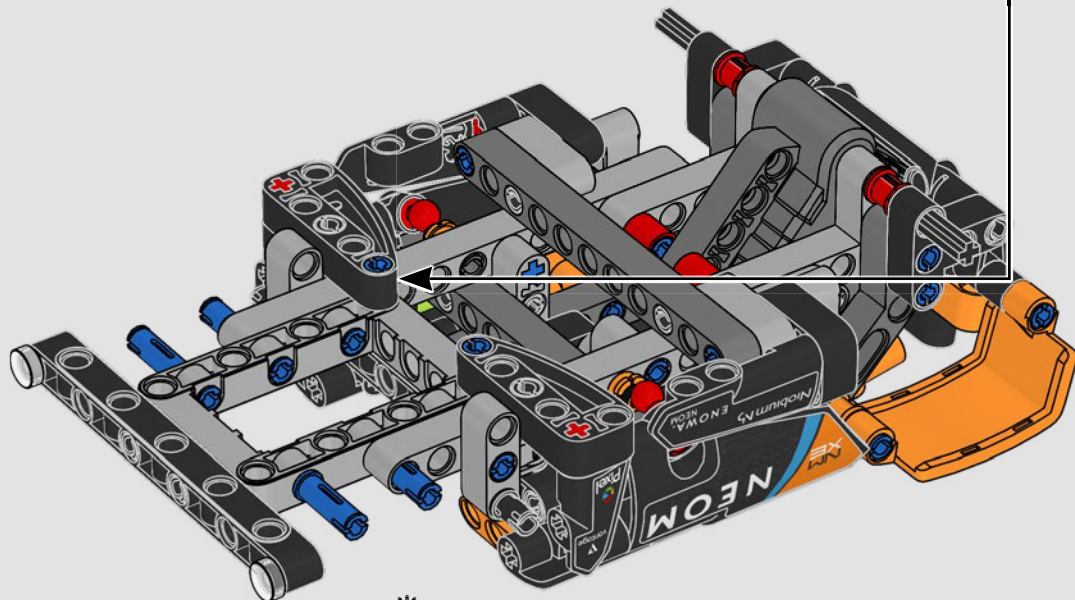
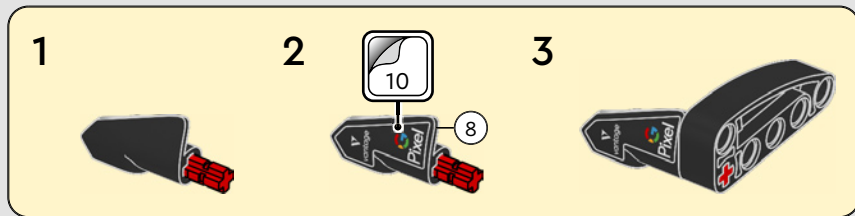


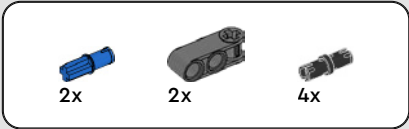
77



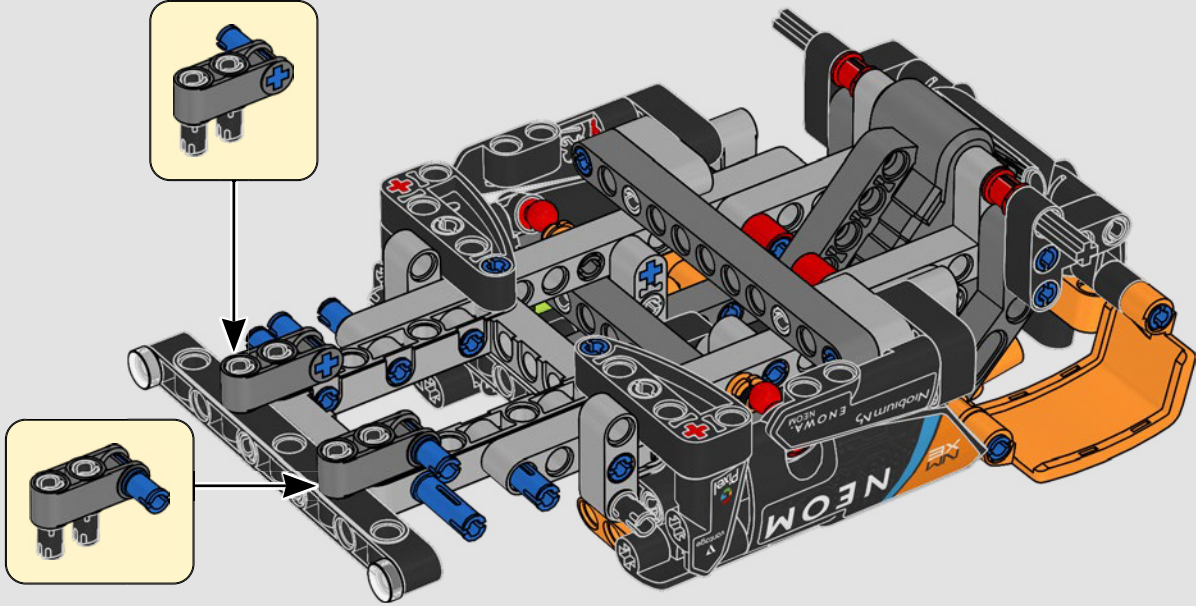


78





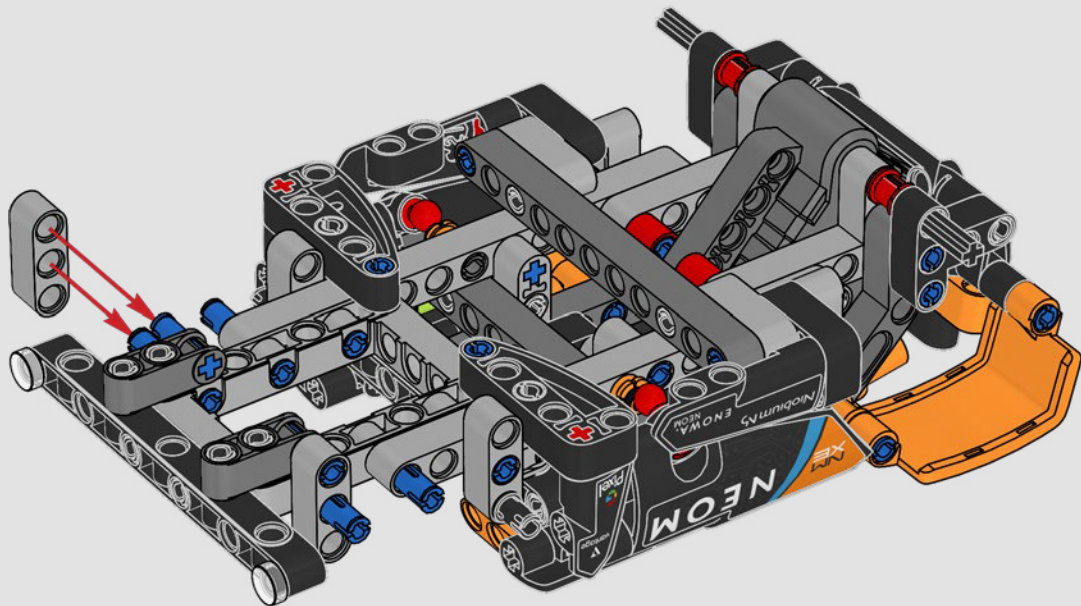
79

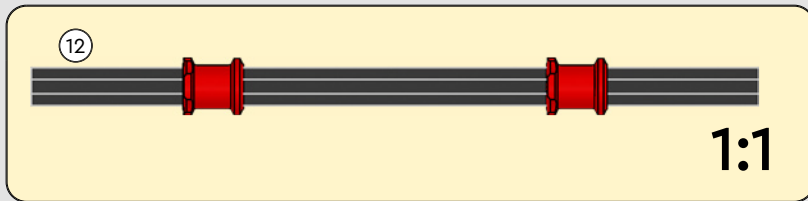
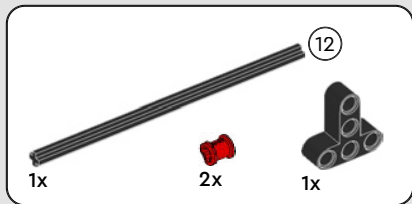




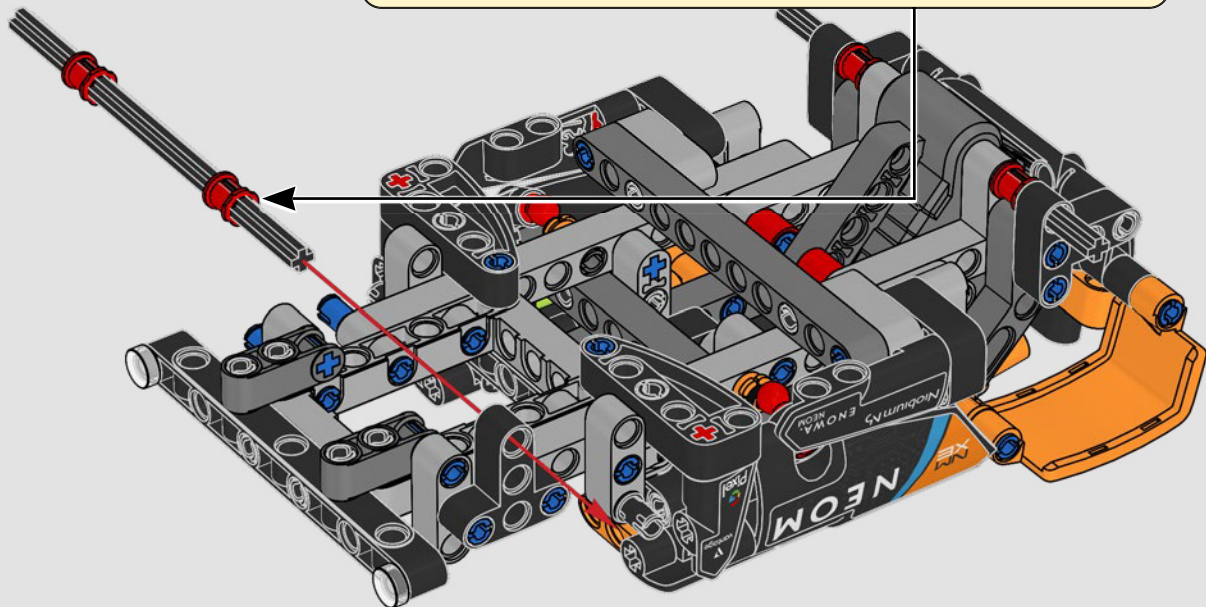
2x

80





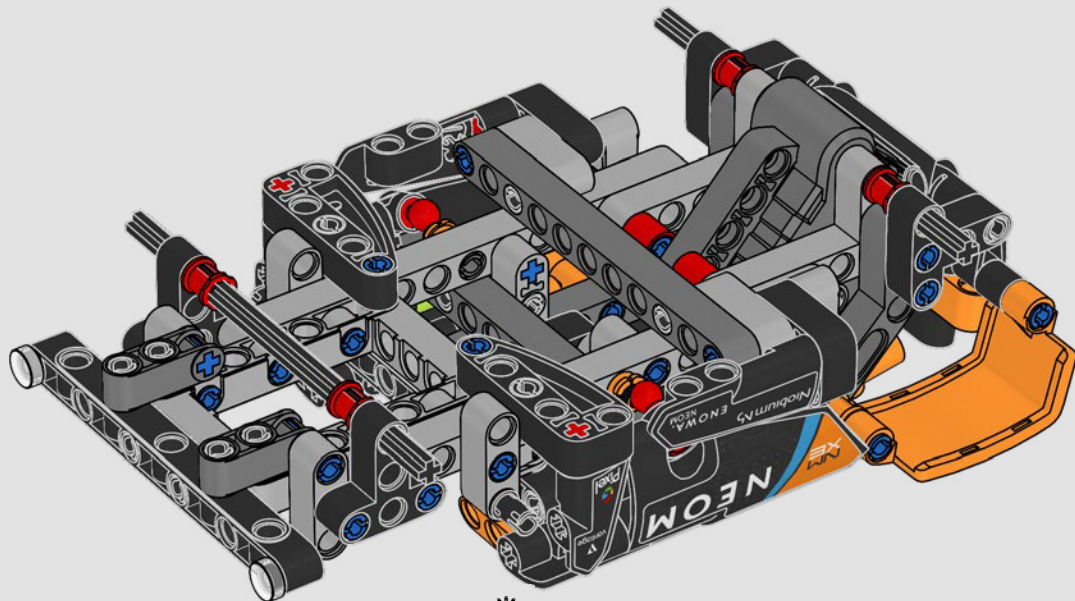
81

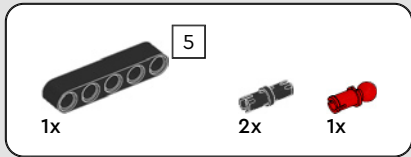




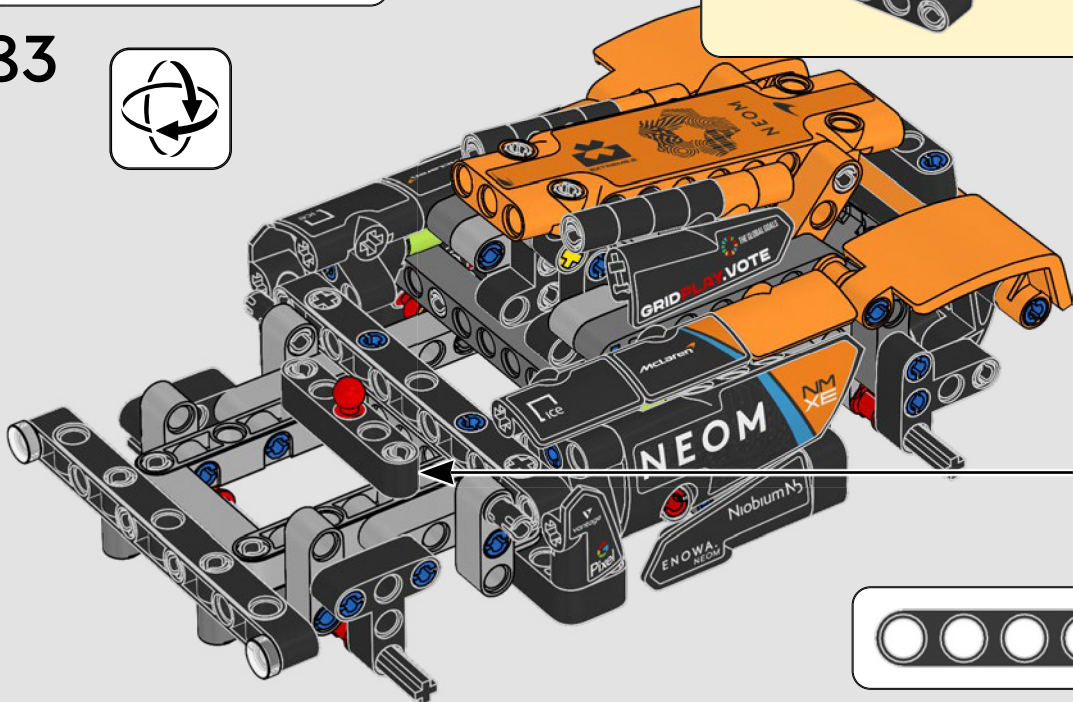
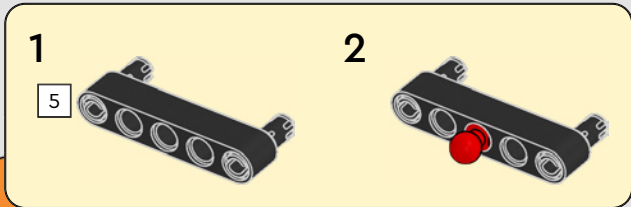
1x

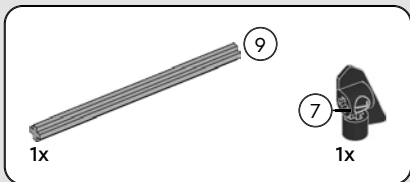
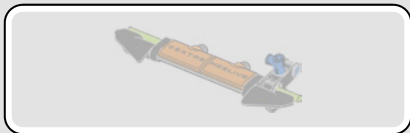
82



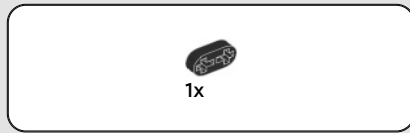
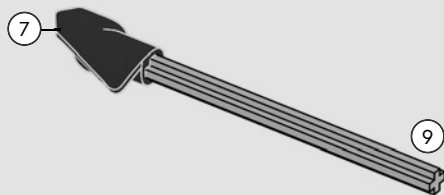


83

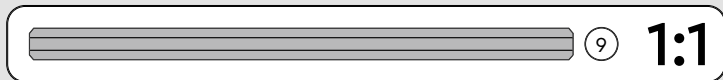
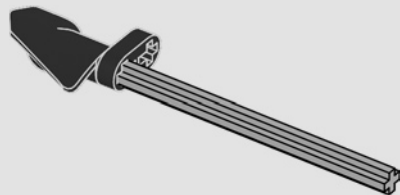


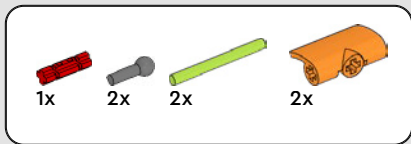


84

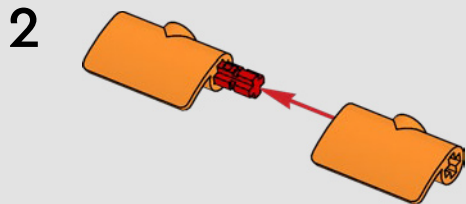


85

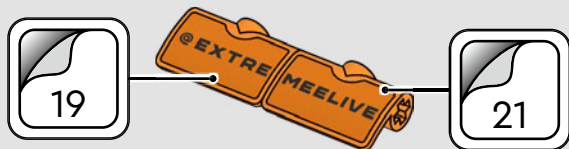




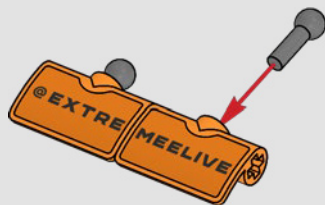
86



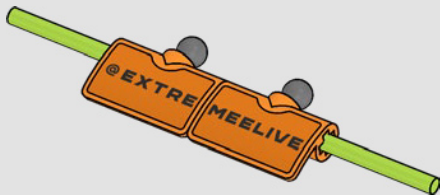
3

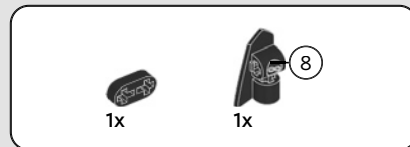


4

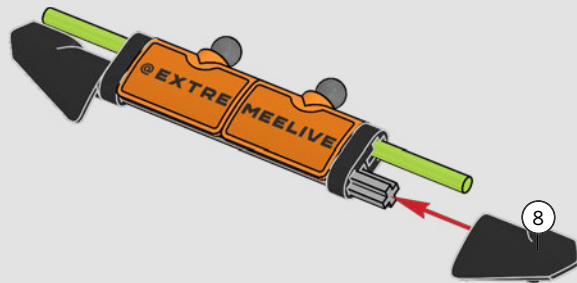
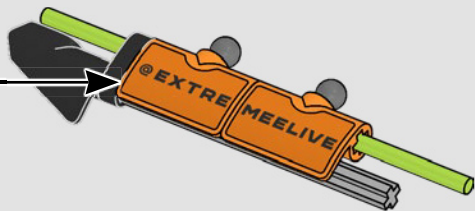


5





87





1x



1x



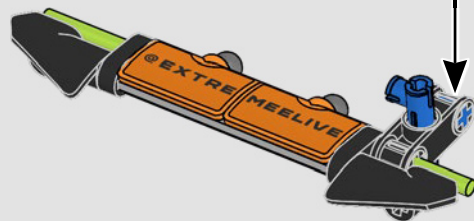
1x

88

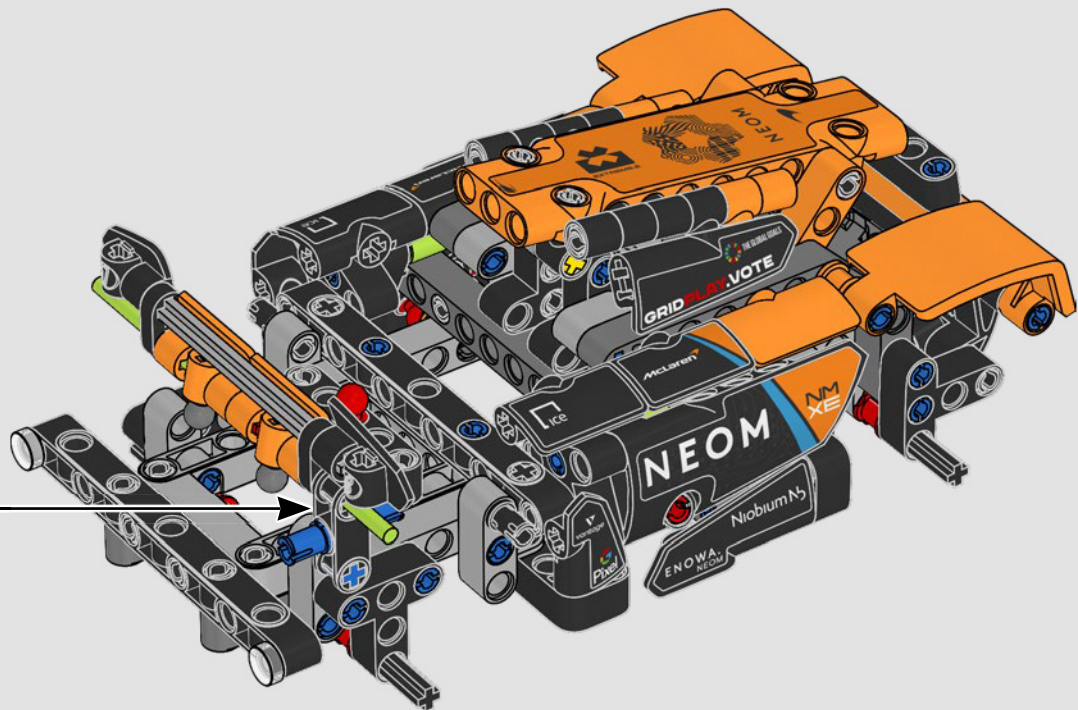
1



2



89





1x



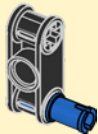
1x



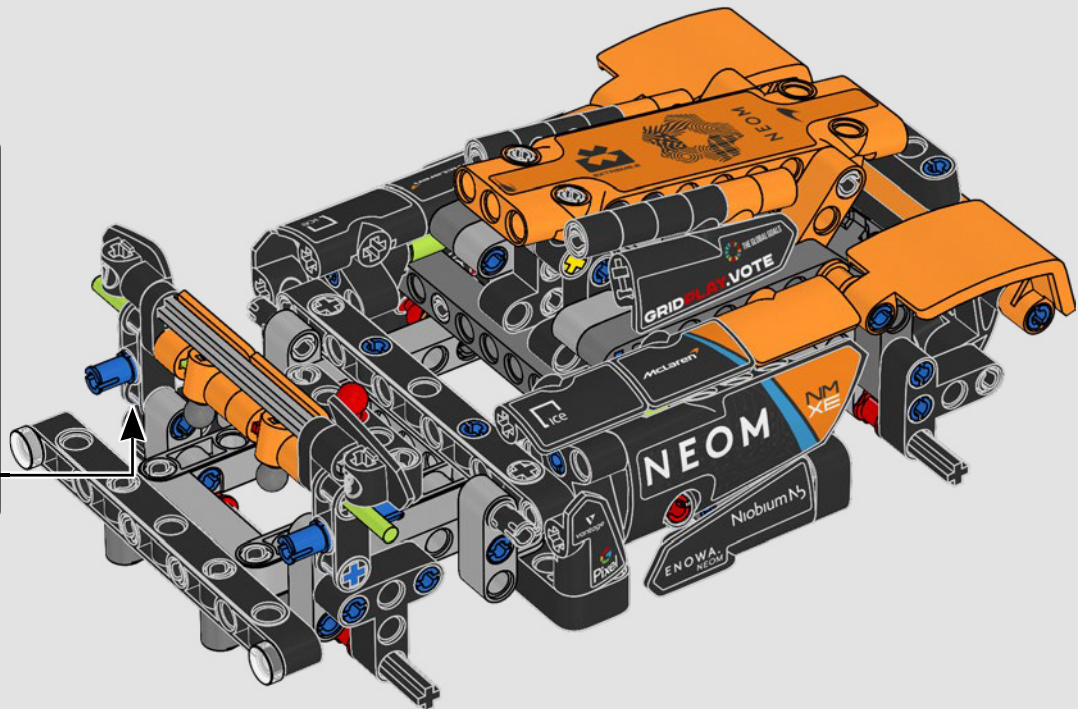
1x

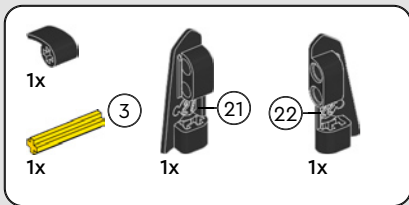
90

1

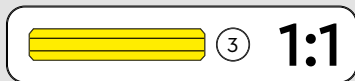
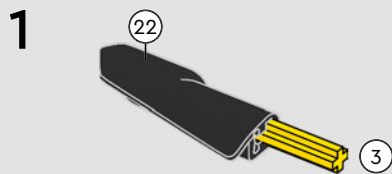


2

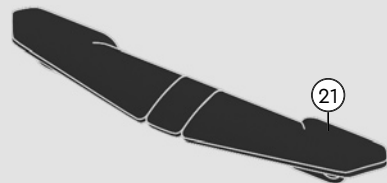




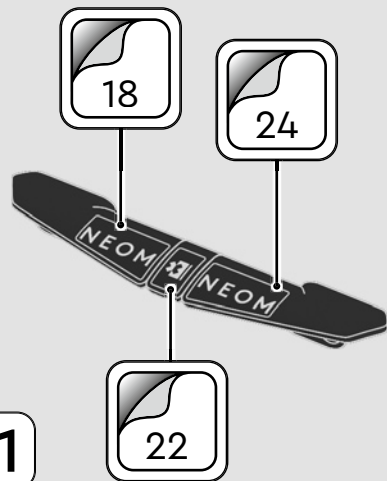
91

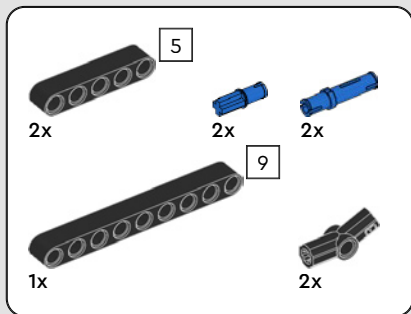


3

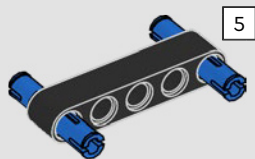


4

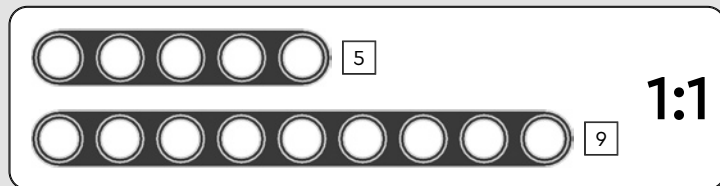
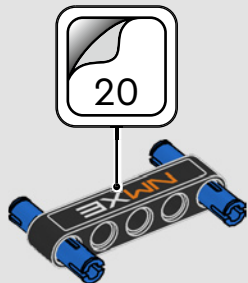




92 1



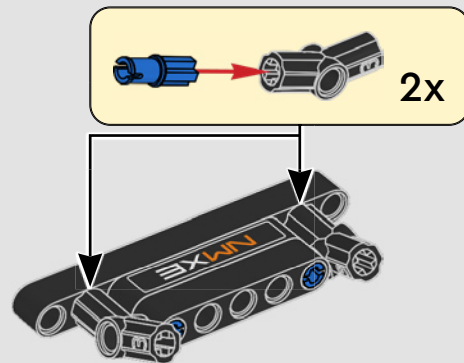
2

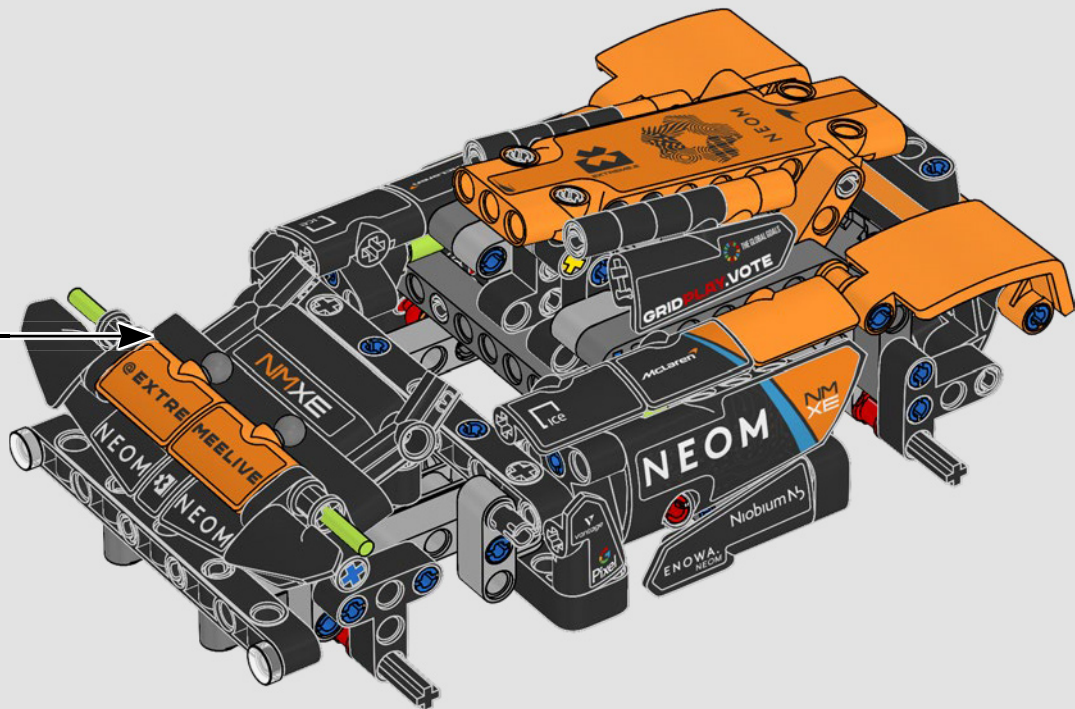


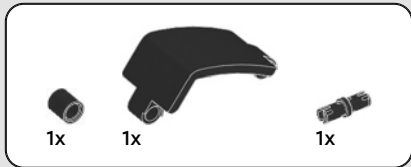
3



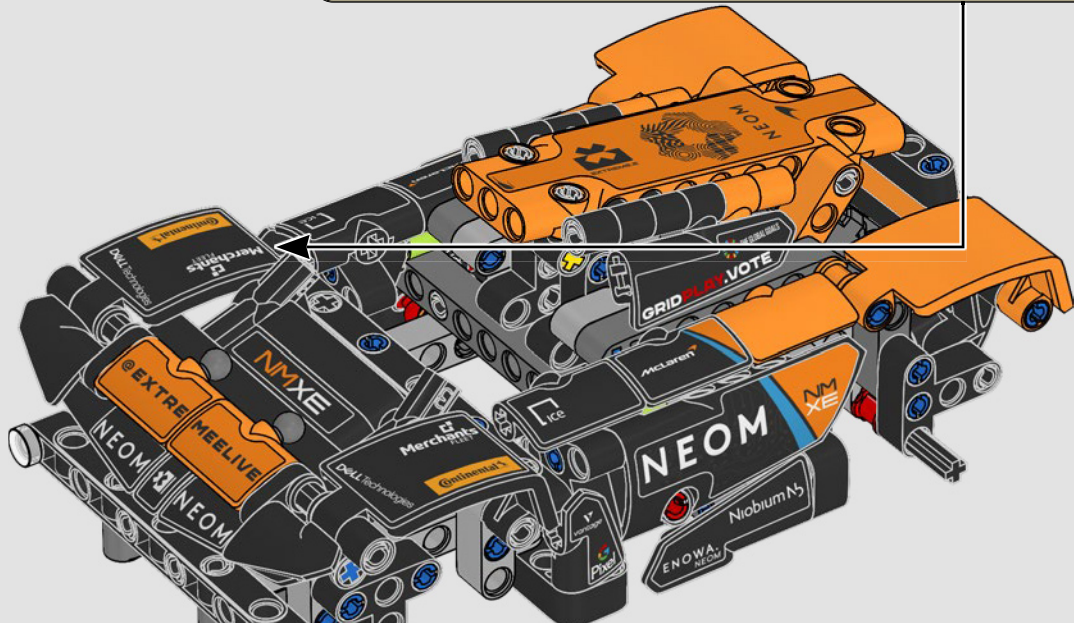
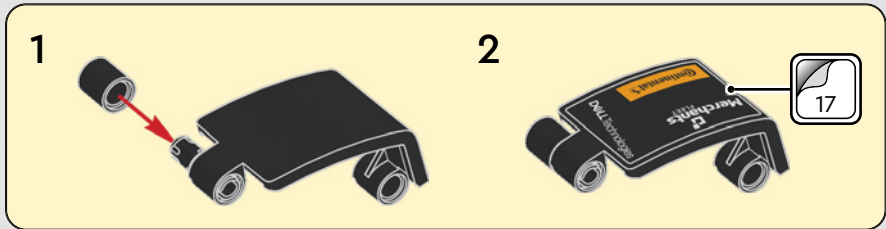
4

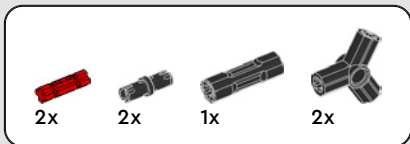






94



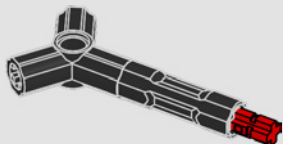


95

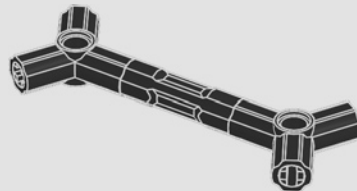
1



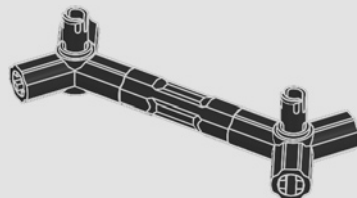
2

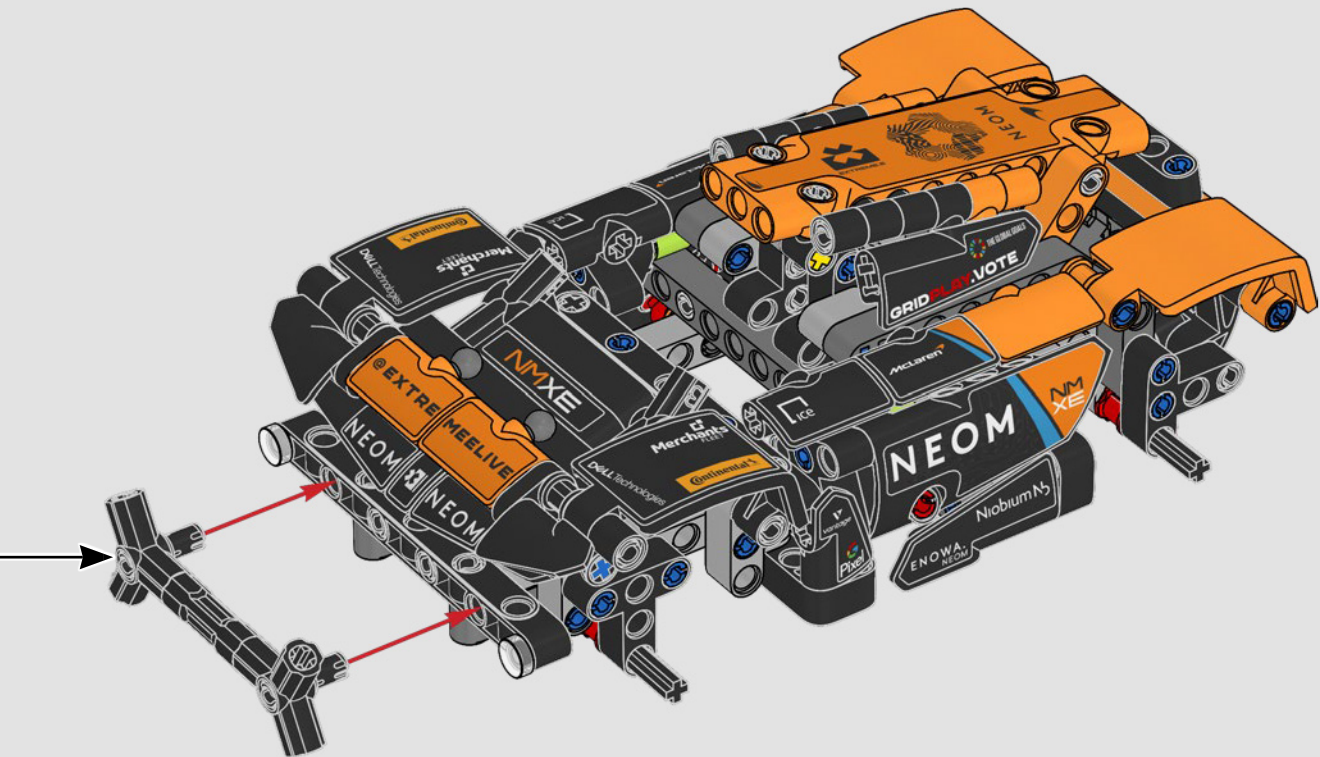


3



4

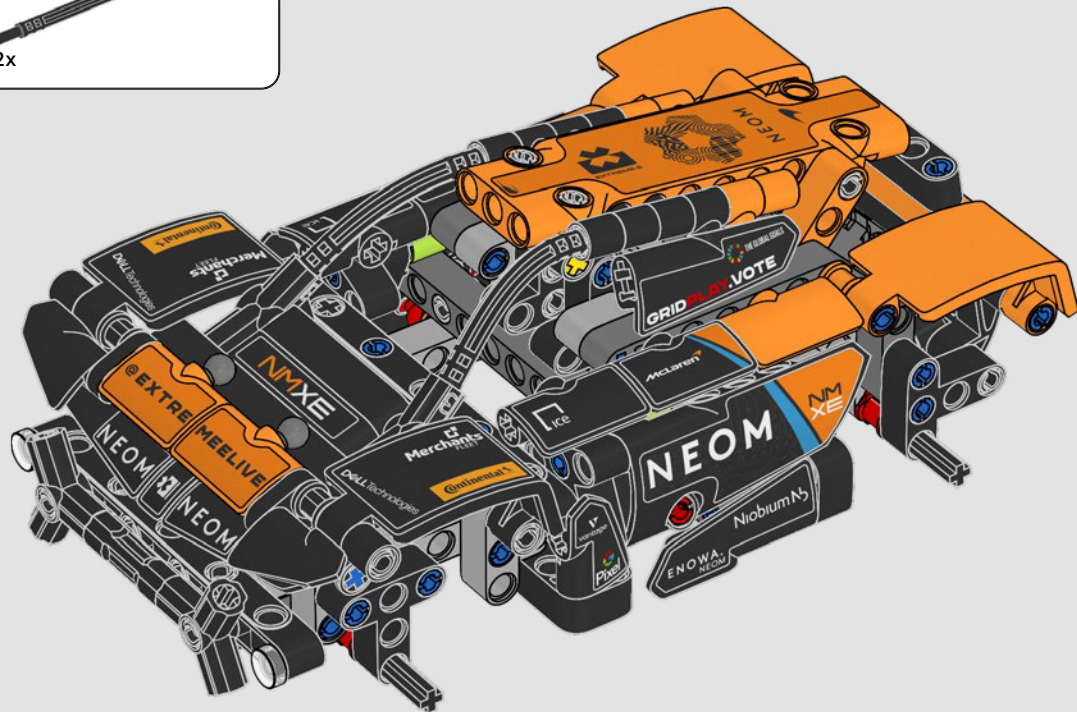


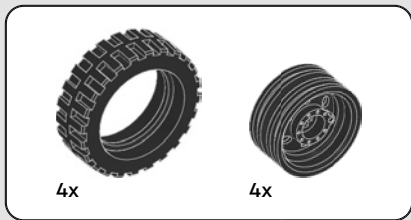




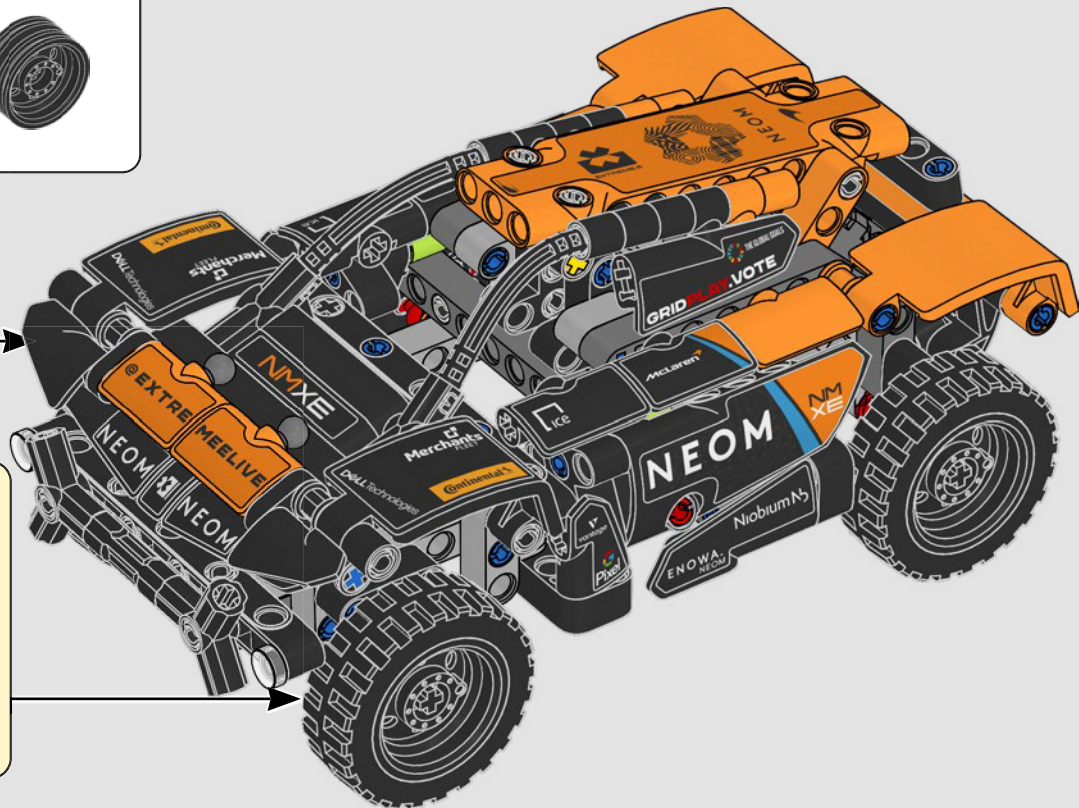
2x

96





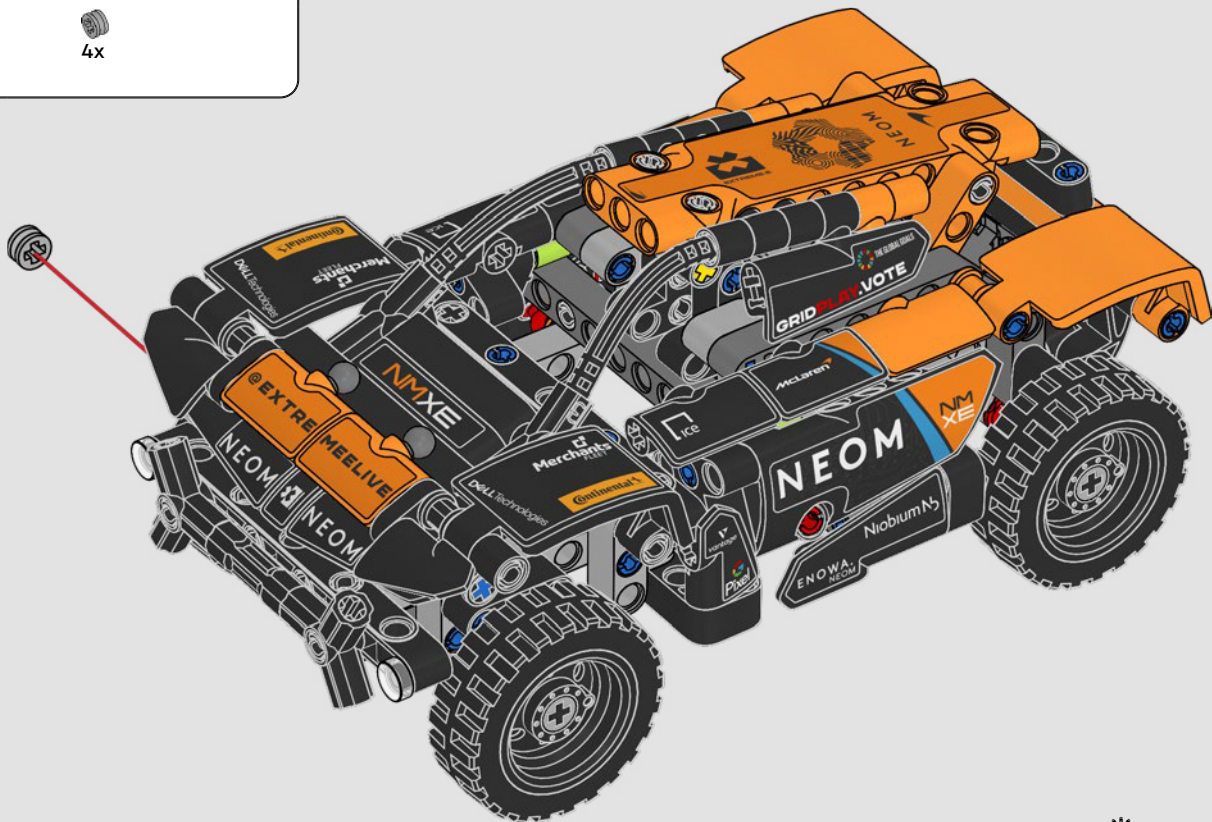
97

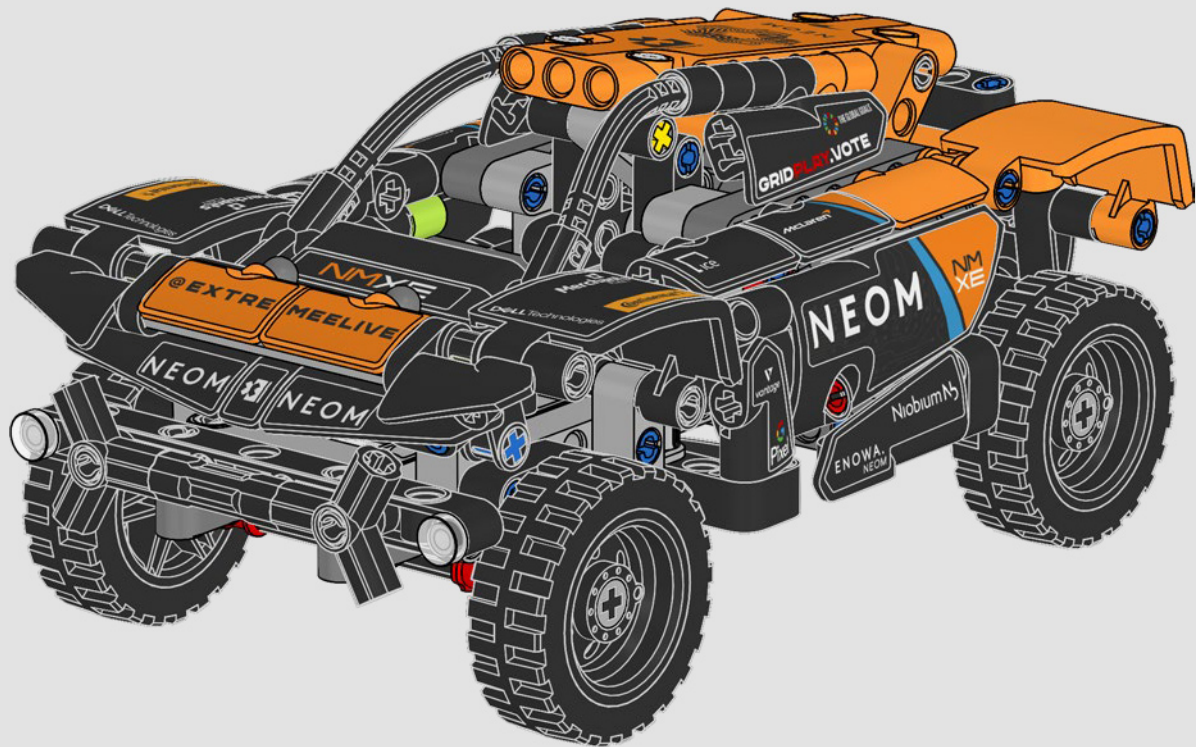




4x

98







TECHNICTM





Rebuild
the
world™



4x
6271820

3x
6360104

11x
4142865

2x
4185664

22x
4206482

29x
6299413

2x
6130007

6x
6121485

2x
6426589

3x
6319983

1x
6396456

2x
6338428

2x
6426590

3x
6316923

40x
6279875

10x
6282140

2x
6326047

2x
6460708

2x
6089119

2x
6089119

2x
6261386

2x
6276951

8x
4552347

1x
6286381

4x
6331026

1x
4541325

1x
4541924

4x
6251174

2x
6407066

4x
4142135

4x
4539268

2x
6268012

2x
6132744

1x
6150082

1x
4645732

2x
6330585

2x
370826

2x
6460711

1x
6339024

1x
6143751

1x
6339023

4x
6358255

2x
6214234

4x
6390390

2x
6347790

2x
6102618

2x
6274738

2x
6302741

4x
6327442

4x
6271165

2x
6261375

4x
6331441

1x
4539880

2x
4522934

2x
4211713

1x
4535768

2x
4211655

3x
6271831

4x
6395635

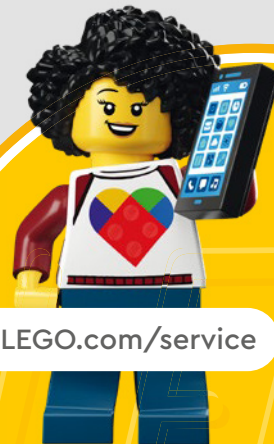
2x
6364352

2x
6273715

2x
6271155

2x
4603472

 [LEGO.com/service](https://www.LEGO.com/service)



YOU COULD
WIN



Scan this QR code or go to
LEGO.COM/PRODUCTFEEDBACK and give us
your short feedback about this LEGO® set for
a chance to win a cool LEGO prize.

Terms and Conditions apply*

EN: YOU COULD WIN. Terms and Conditions apply* **DE: Du könntest GEWINNEN.** Es gelten die Teilnahmebedingungen* **FR: Tu pourrais GAGNER.** Des conditions s'appliquent* **IT: Potresti VINCERE tu.** Termini e condizioni sono applicabili* **ES: Puedes GANAR.** Aplican términos y condiciones* **PT: Poderá GANHAR.** Aplicam-se termos e condições* **ZH: 轻松获奖. 条款和条件适用*** **PL: Szansa na WYGRANĄ.** Obowiązują warunki korzystania* **CS: Máte šanci VYHRÁT.** Platí všeobecné smluvní podmínky* **SK: Máte šancu VYHRAŤ.** Platia všeobecné zmluvné podmienky* **HU: TE IS NYERHETSZ.** Felhasználási feltételek érvényesek* **RO: Ai putea CÂȘTIGA.** Se aplică termenii și condiții* **BG: Можете да СПЕЧЕЛИТЕ.** Има определени правила и условия* **LV: Tu vari LAIMĒT.** Ir spēkā noteikumi un nosacījumi.* **ET: Sul on võimalus VÕITA.** Kehtivad tingimused* **LT: Jūs galite LAIMĖTI.** Taikomos sąlygos*

*[LEGO.com/productfeedback-terms](https://www.lego.com/productfeedback-terms)

LEGO and the LEGO logo are trademarks of the/sont des marques de commerce du/son marcas registradas de LEGO Group. ©2024 The LEGO Group.
Manufactured under license from McLaren Racing Limited. 'McLaren' is a trademark of McLaren Services Limited.
This product is under license under the Extreme E Ltd brand.

6495266