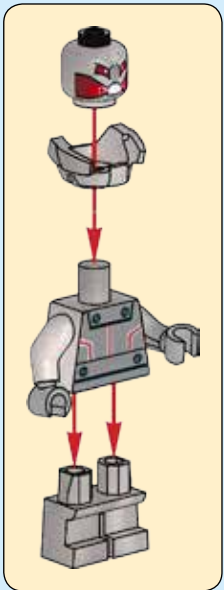
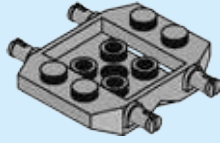


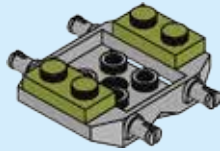
2



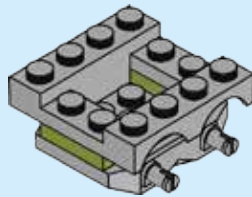
1



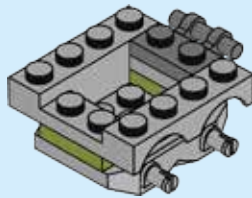
2



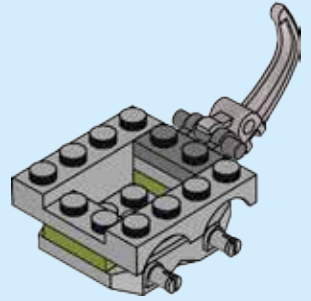
3



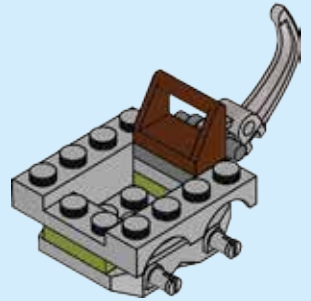
4



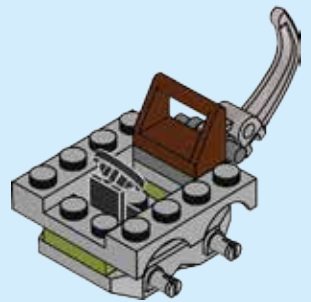
5



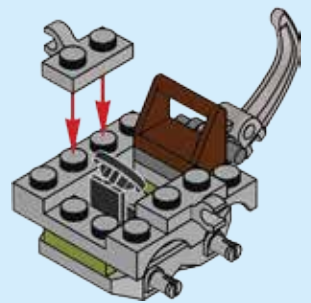
6



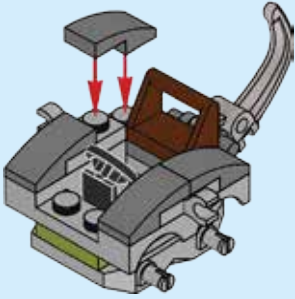
7



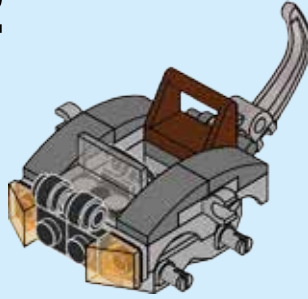
8



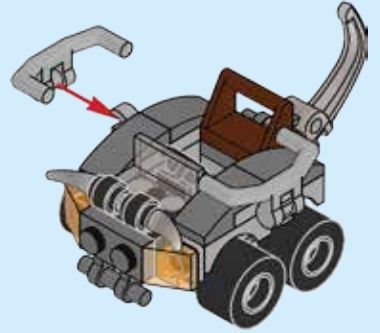
9



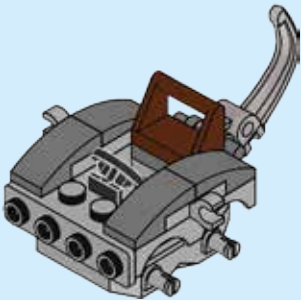
12



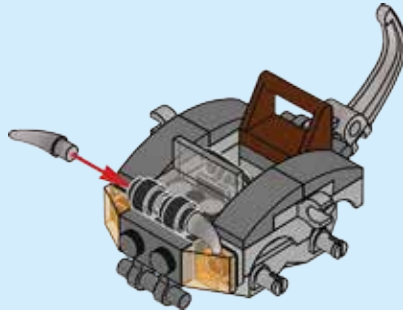
15



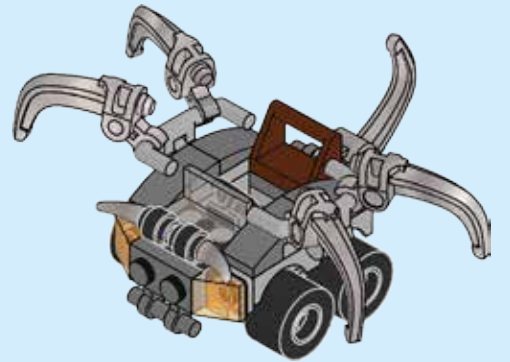
10



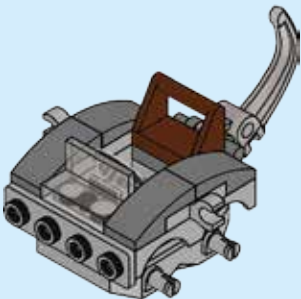
13



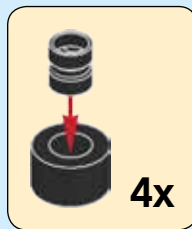
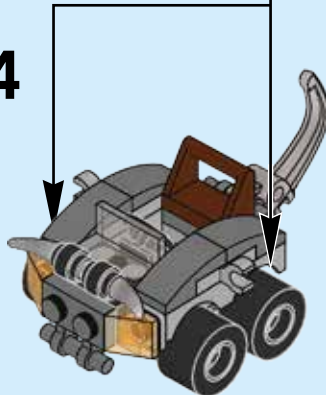
16



11



14



LEGO.com/service

LEGO and the LEGO logo are trademarks of the LEGO Group. ©2016 The LEGO Group. 6154222



marvelkids.com

© MARVEL