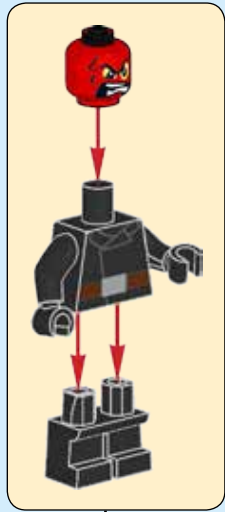
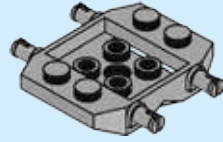


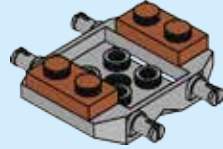
2



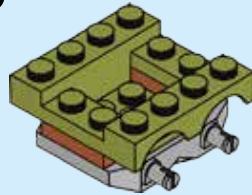
1



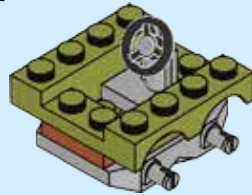
2



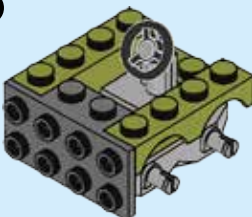
3



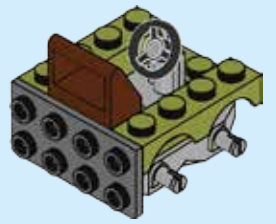
4



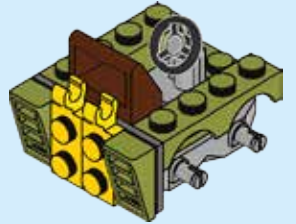
5



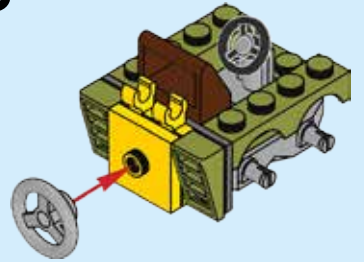
6



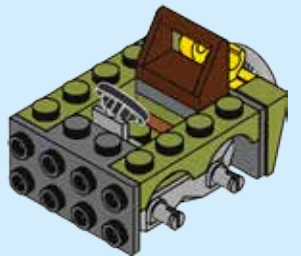
7



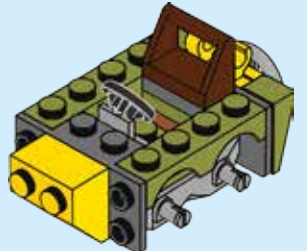
8

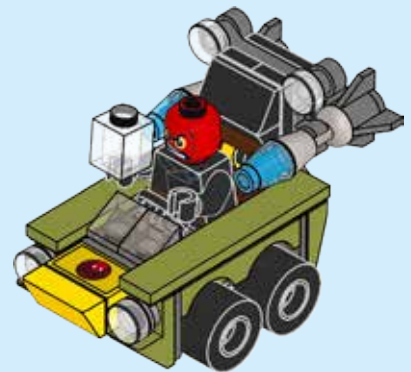
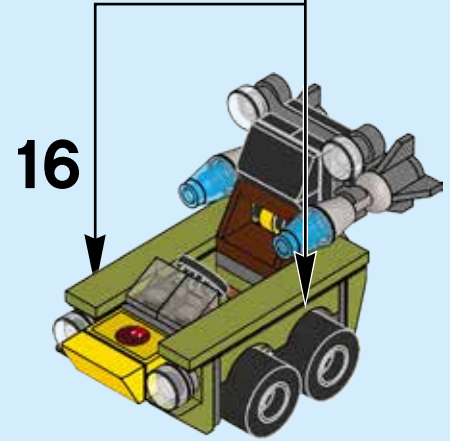
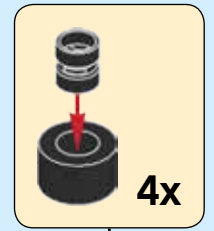
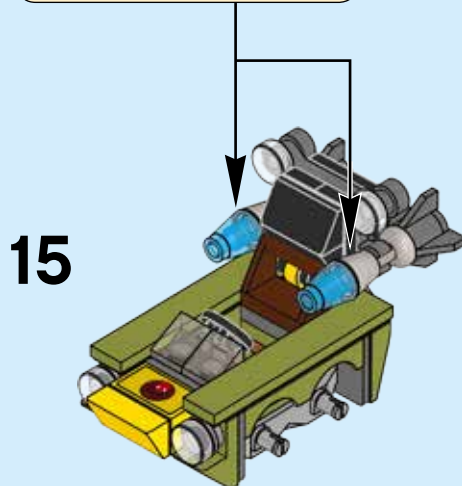
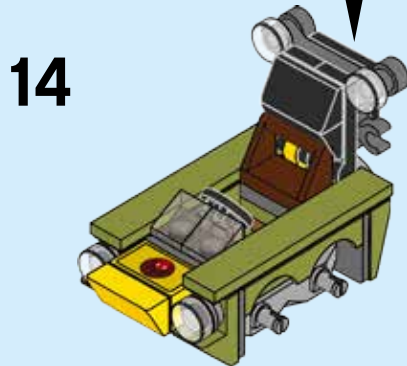
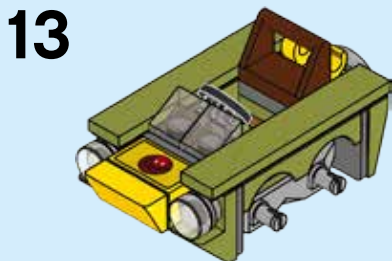
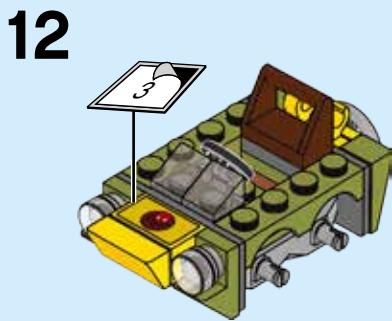
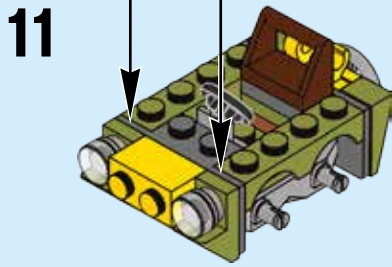
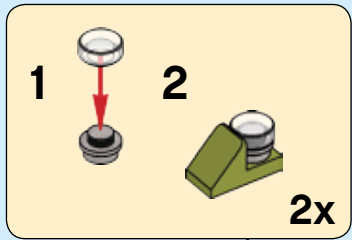


9



10





LEGO.com/service

LEGO and the LEGO logo are trademarks of the LEGO Group. ©2016 The LEGO Group. 6154215



© MARVEL