

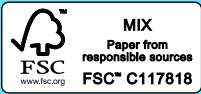
CREATOR



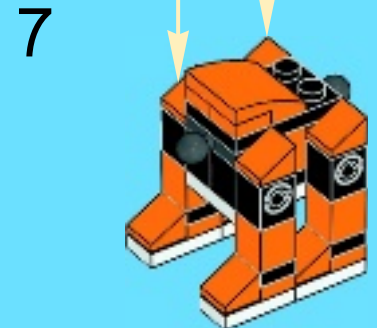
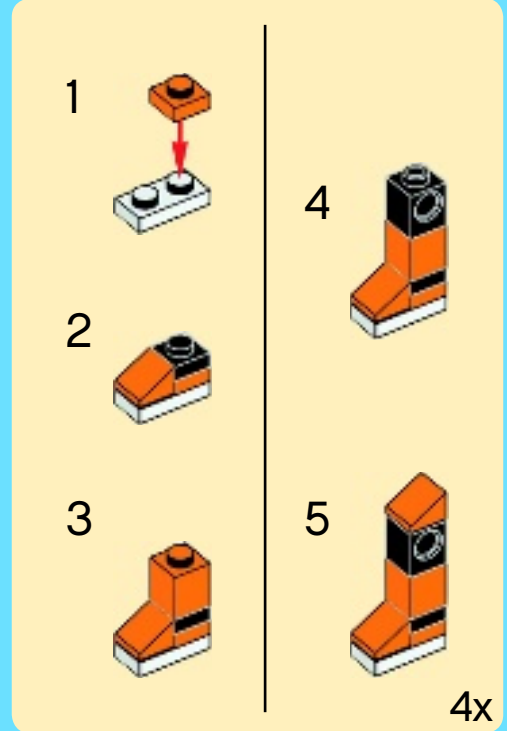
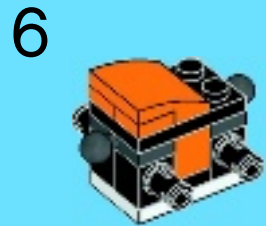
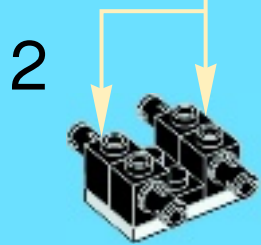
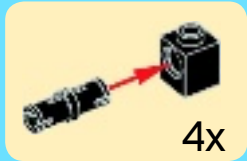
30285

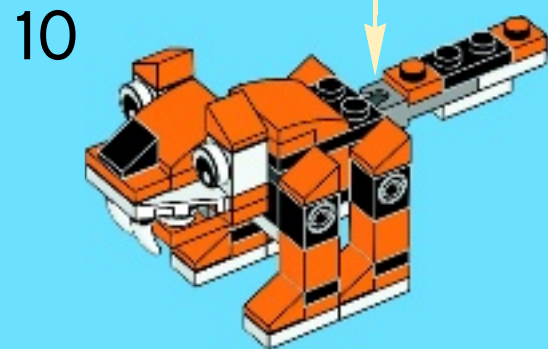
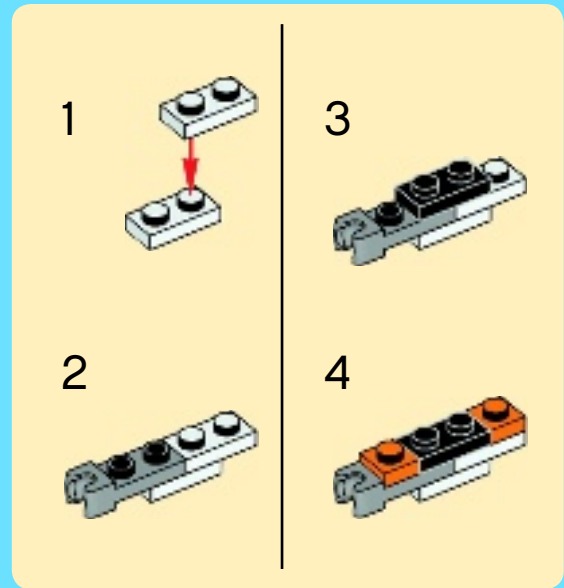
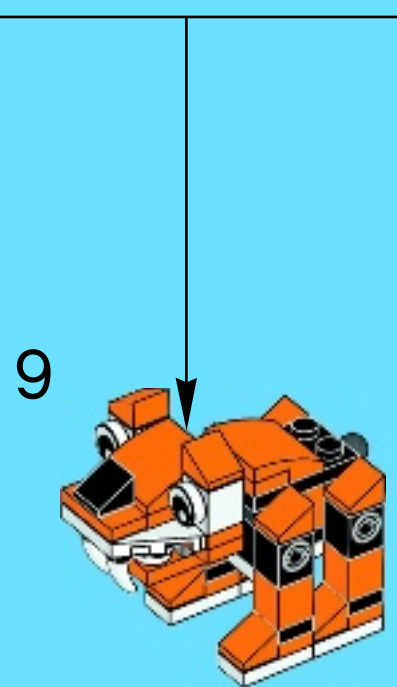
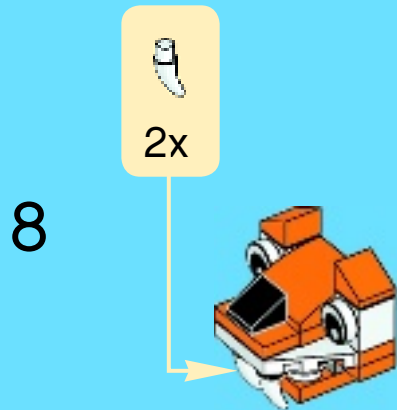
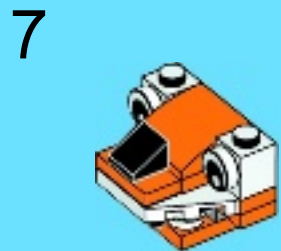
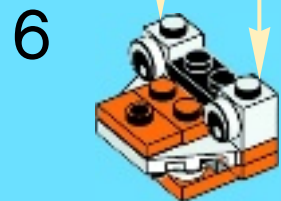
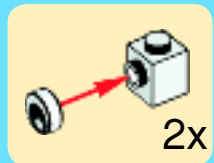
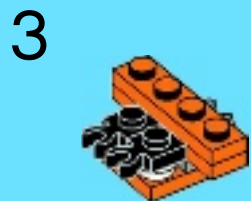
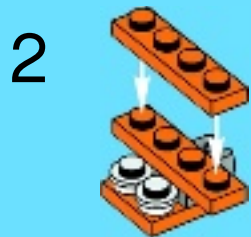
6112670

LEGO.com/creator



RATE THIS SET!
ÉVALUE CE JEU!





LEGO.com/service

LEGO and the LEGO logo are trademarks of the/son des
marques de commerce du/son marcas registradas de
LEGO Group. ©2015 The LEGO Group. 6112670