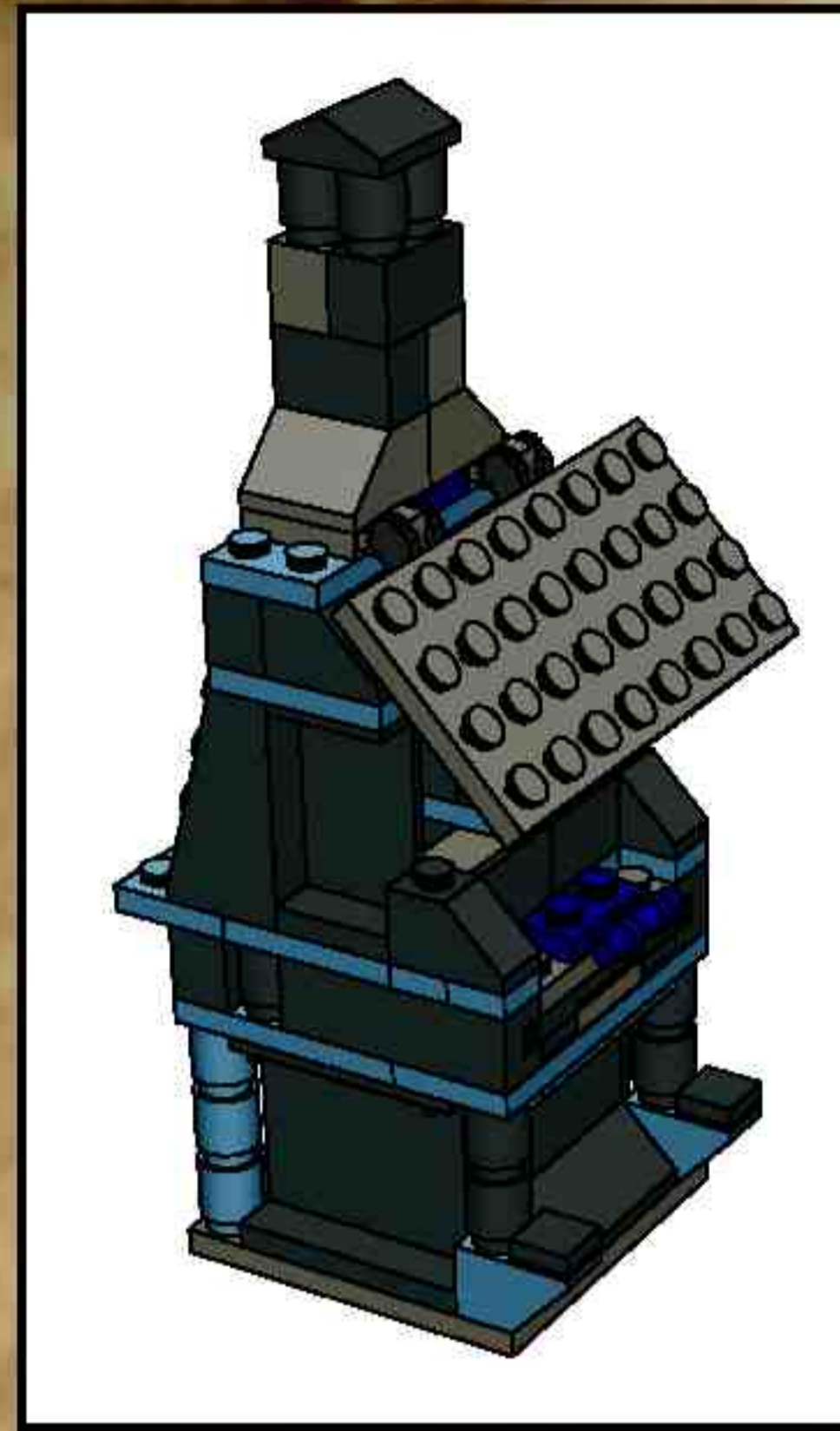
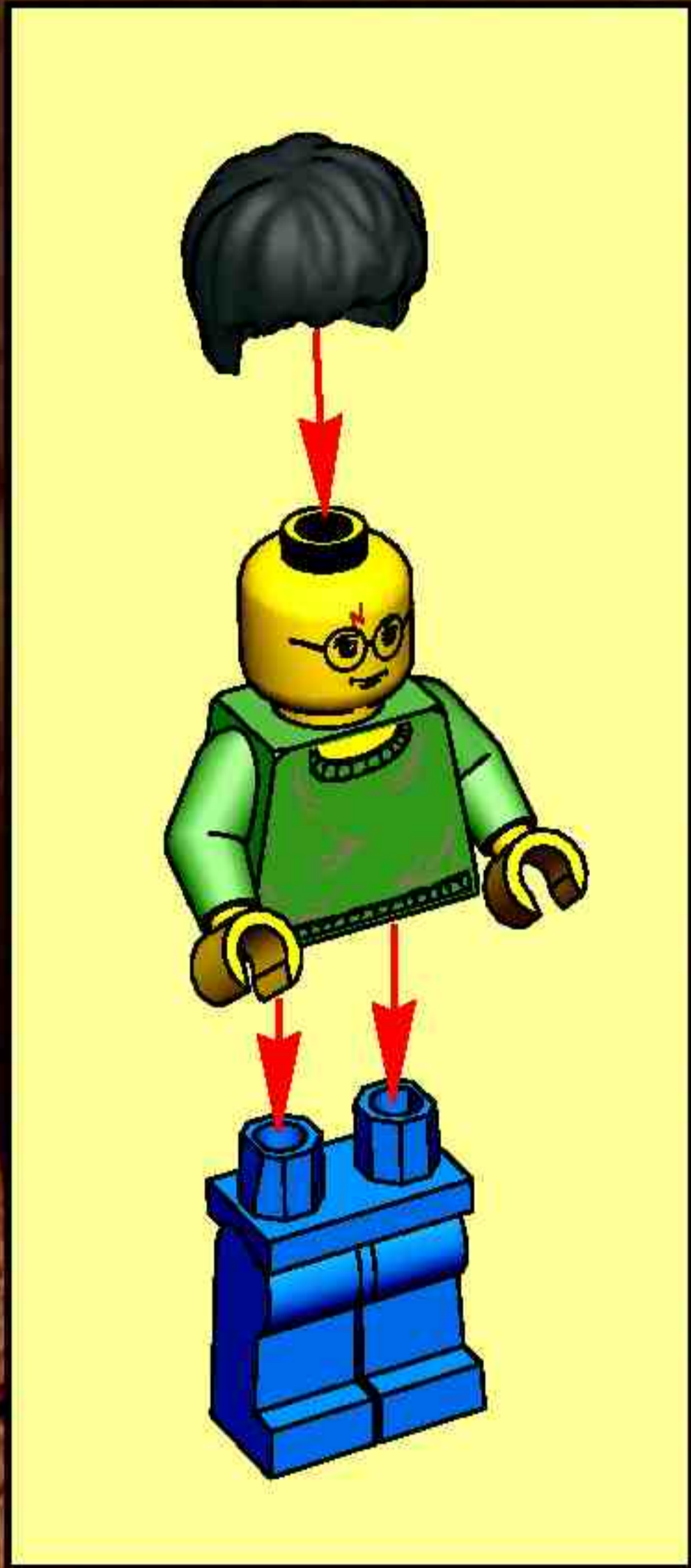




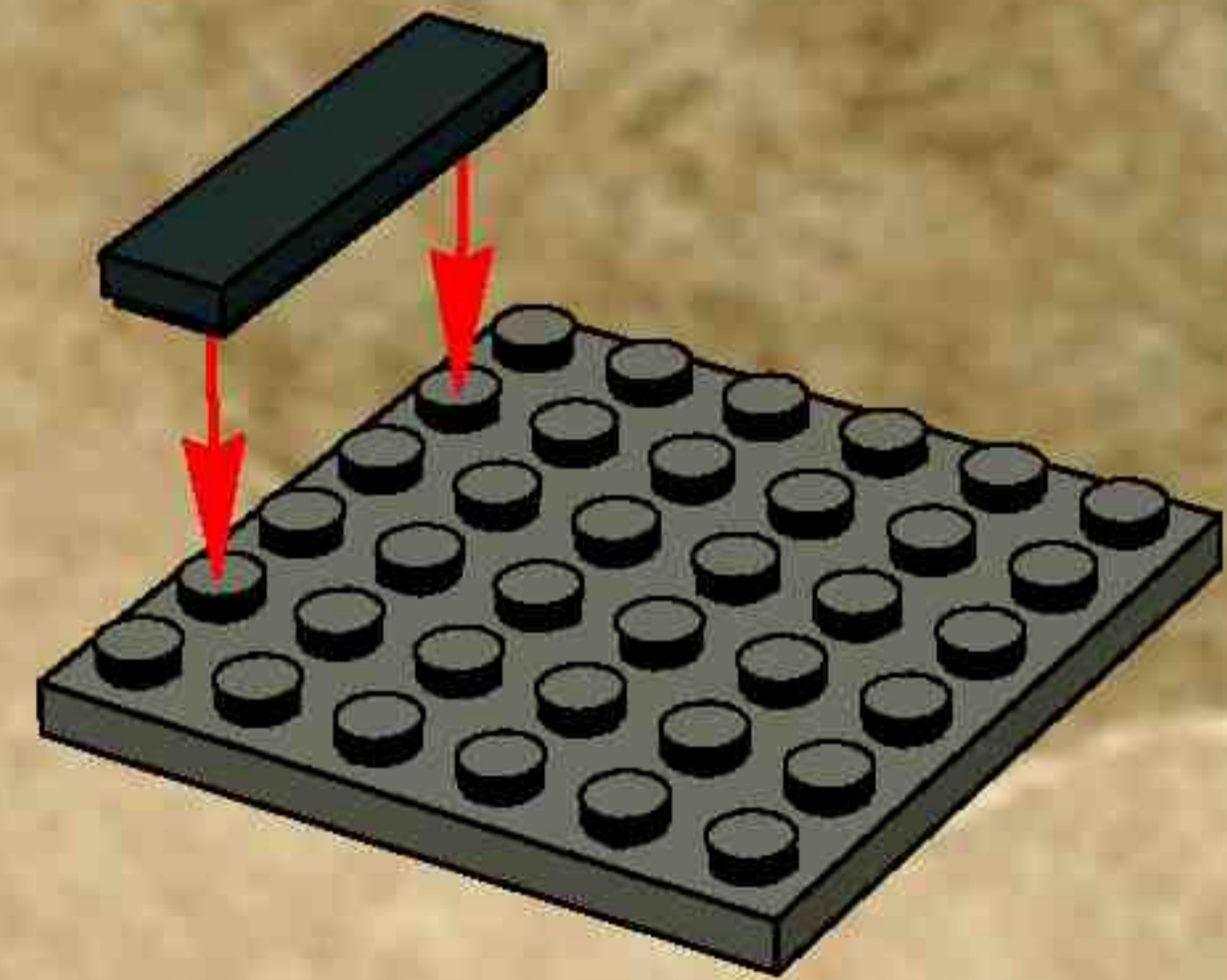
Harry Potter™



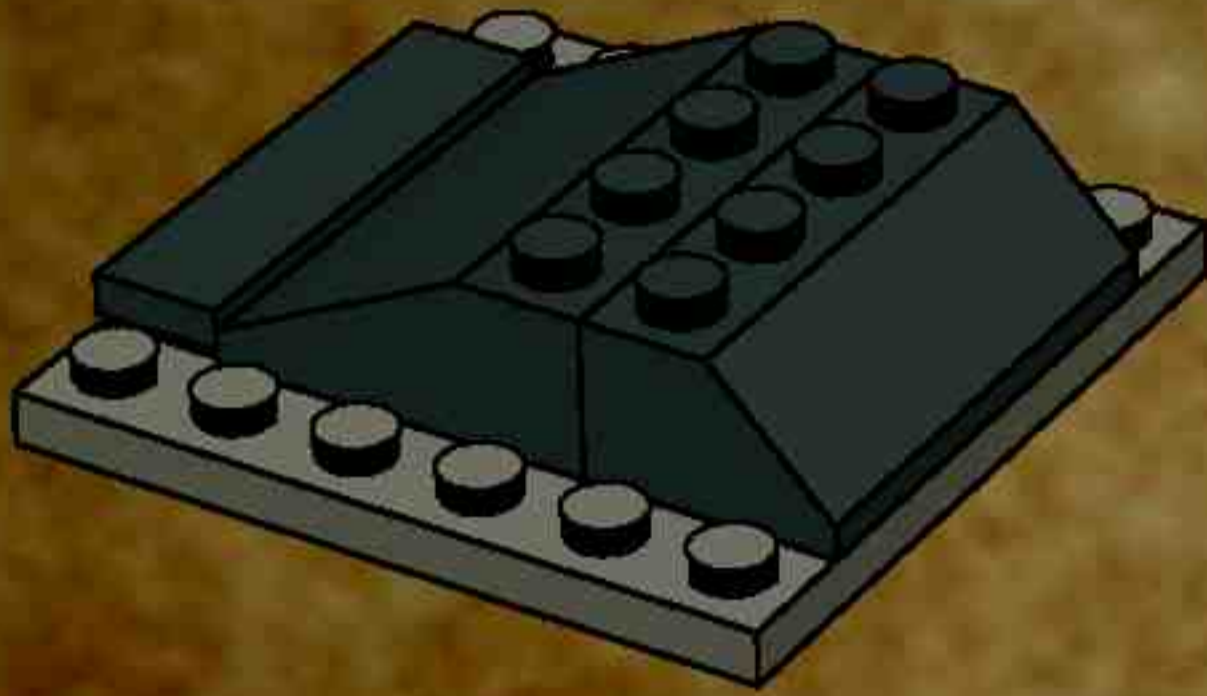
4720



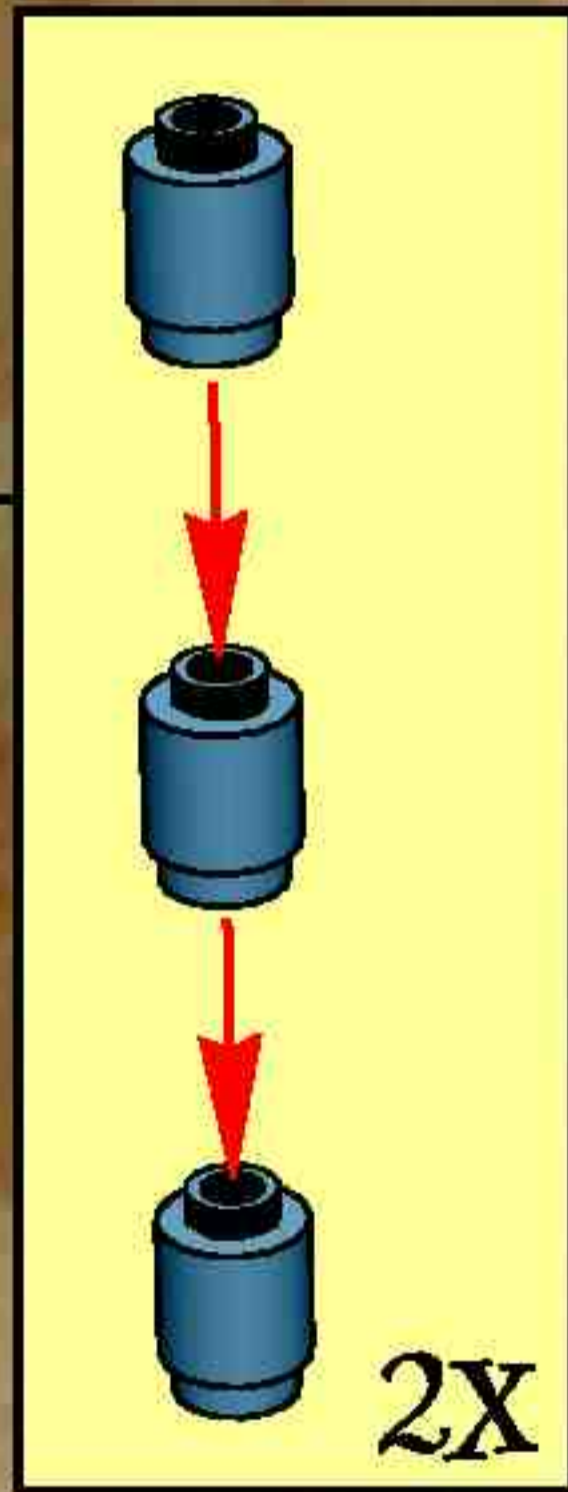
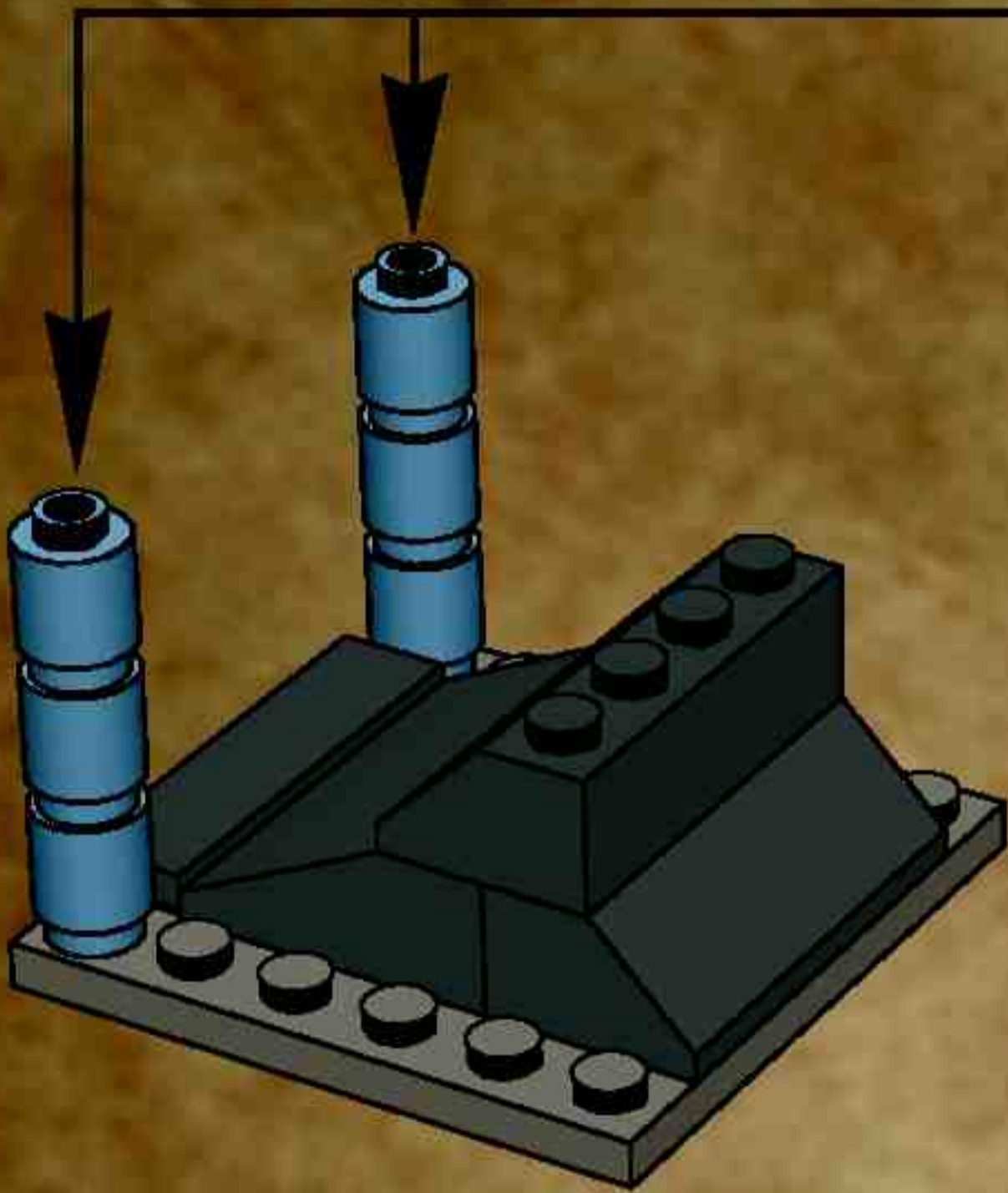
1



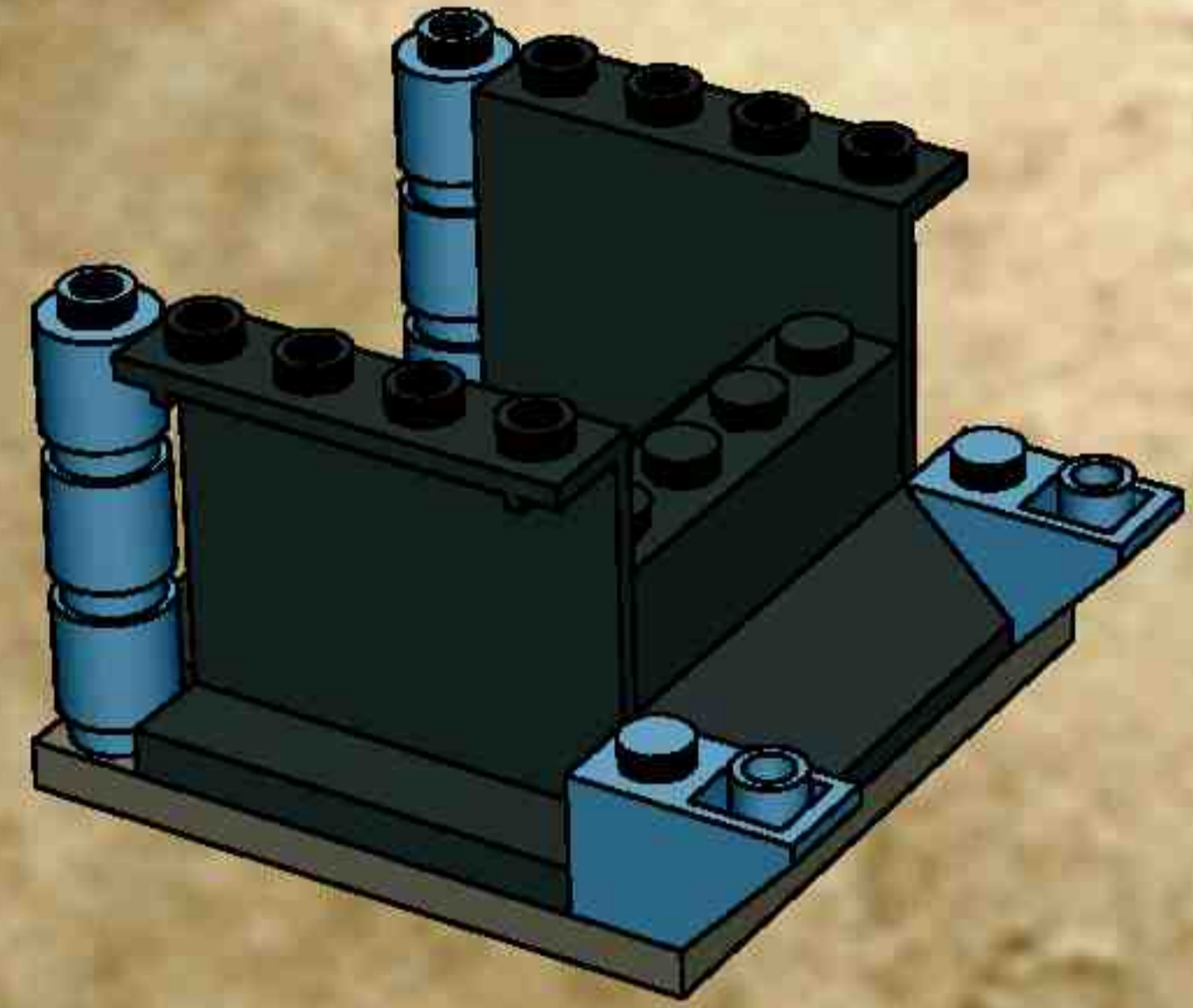
2



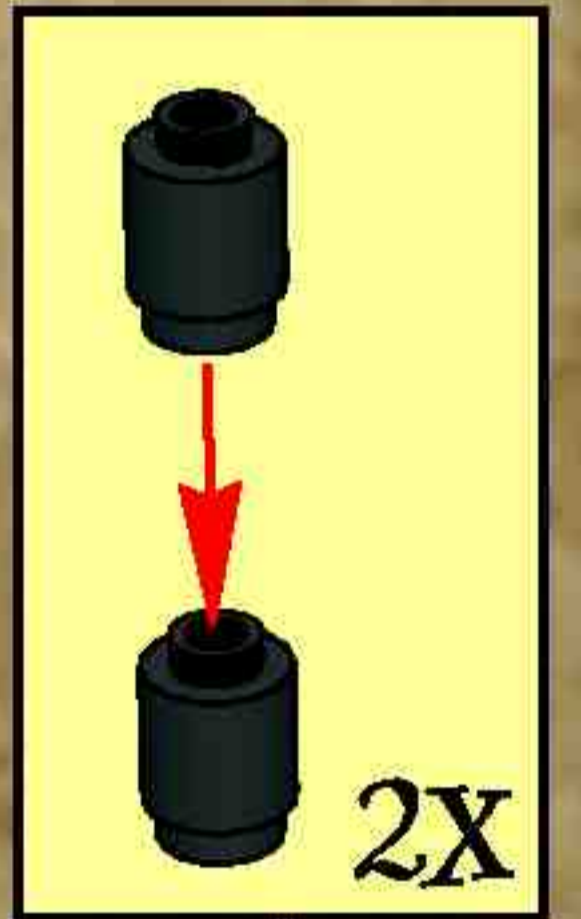
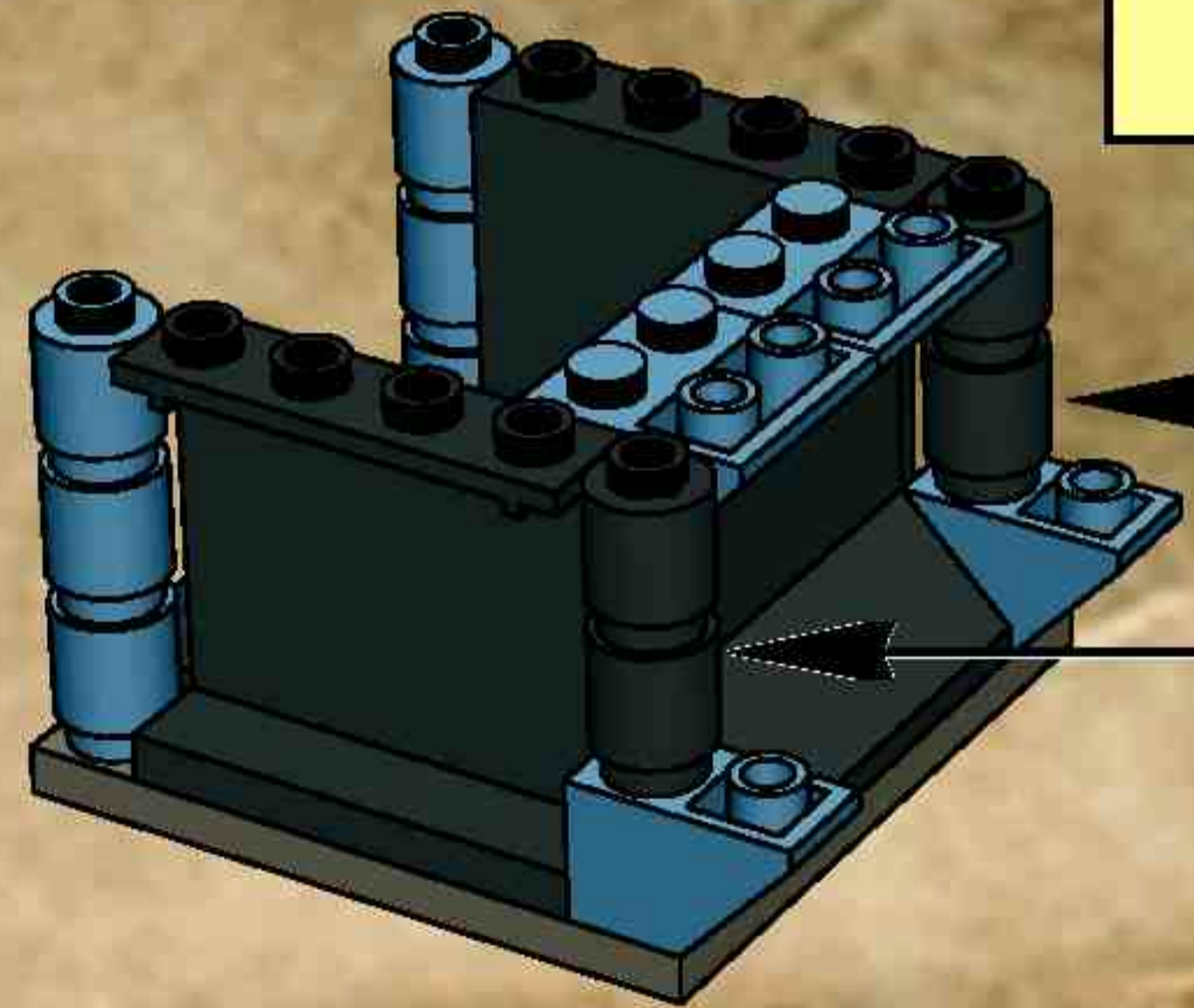
3



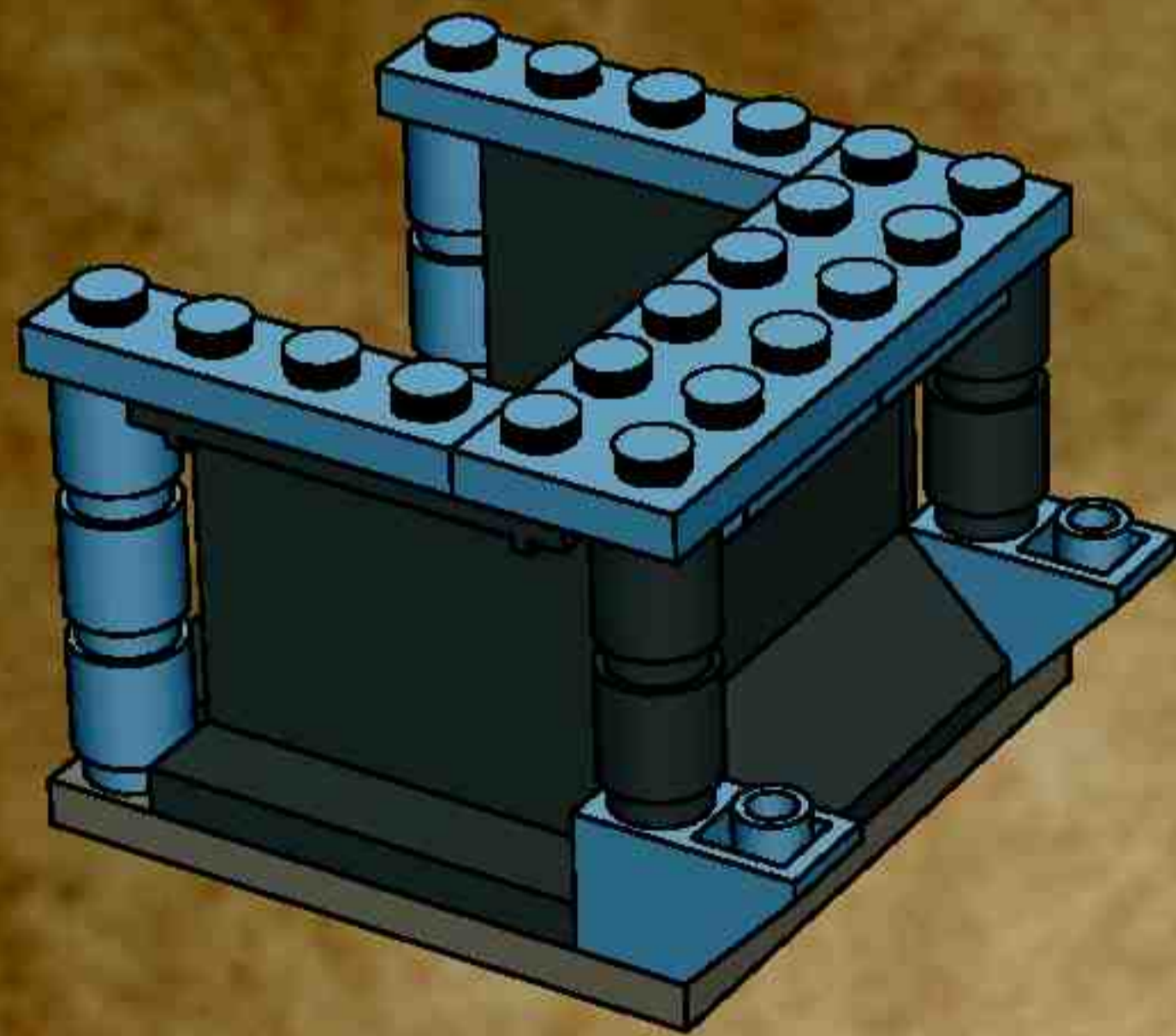
4



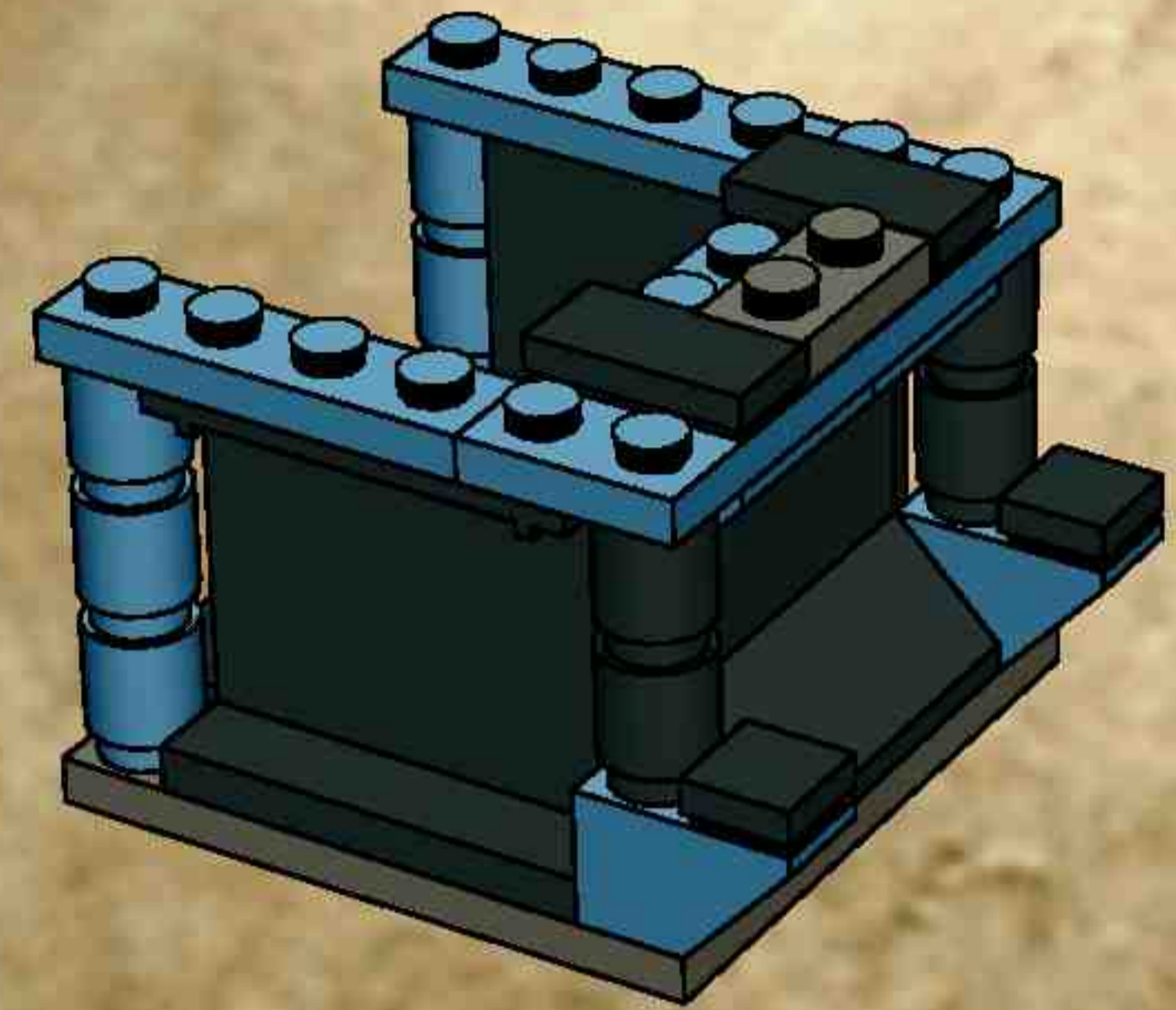
5



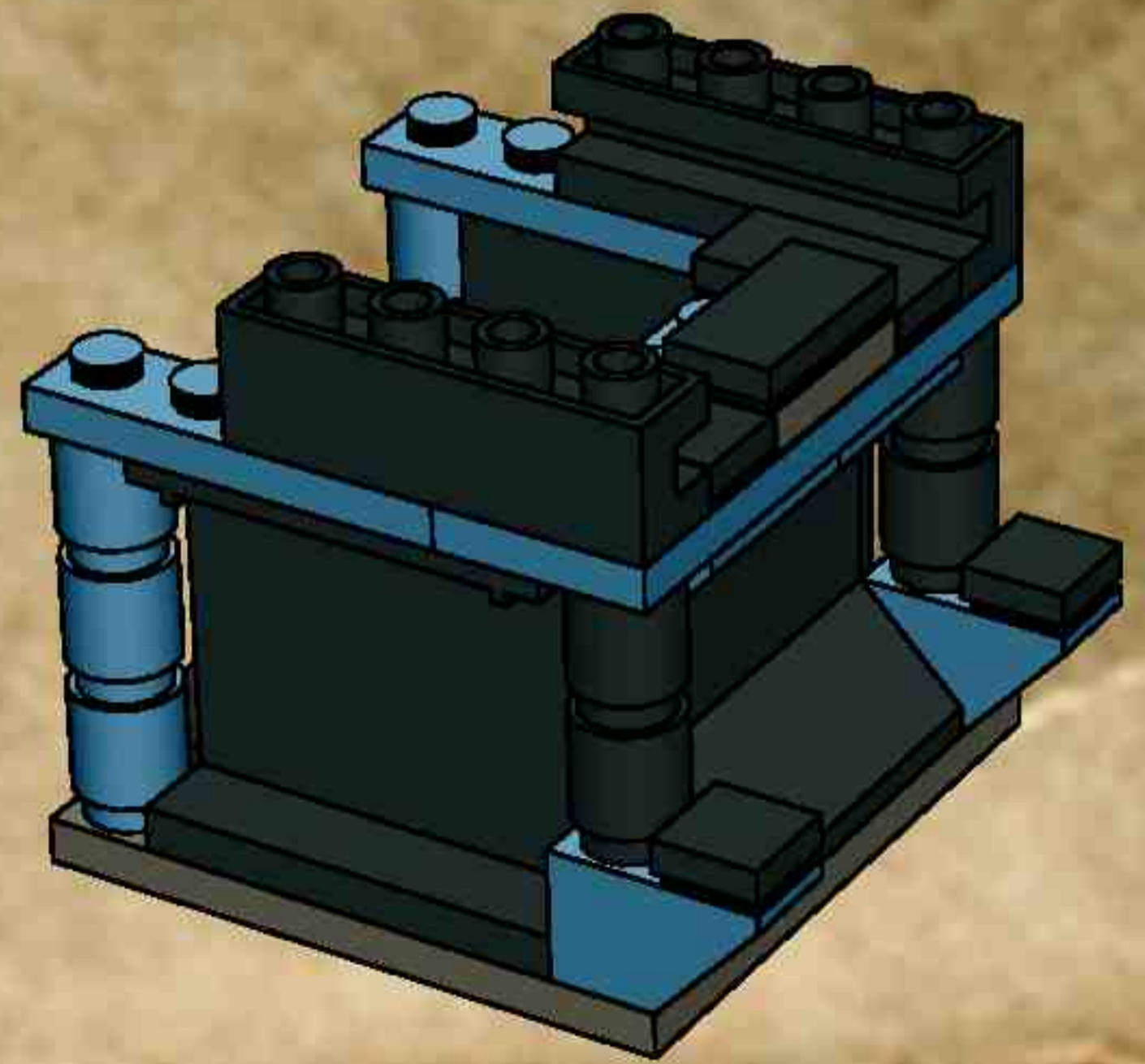
6

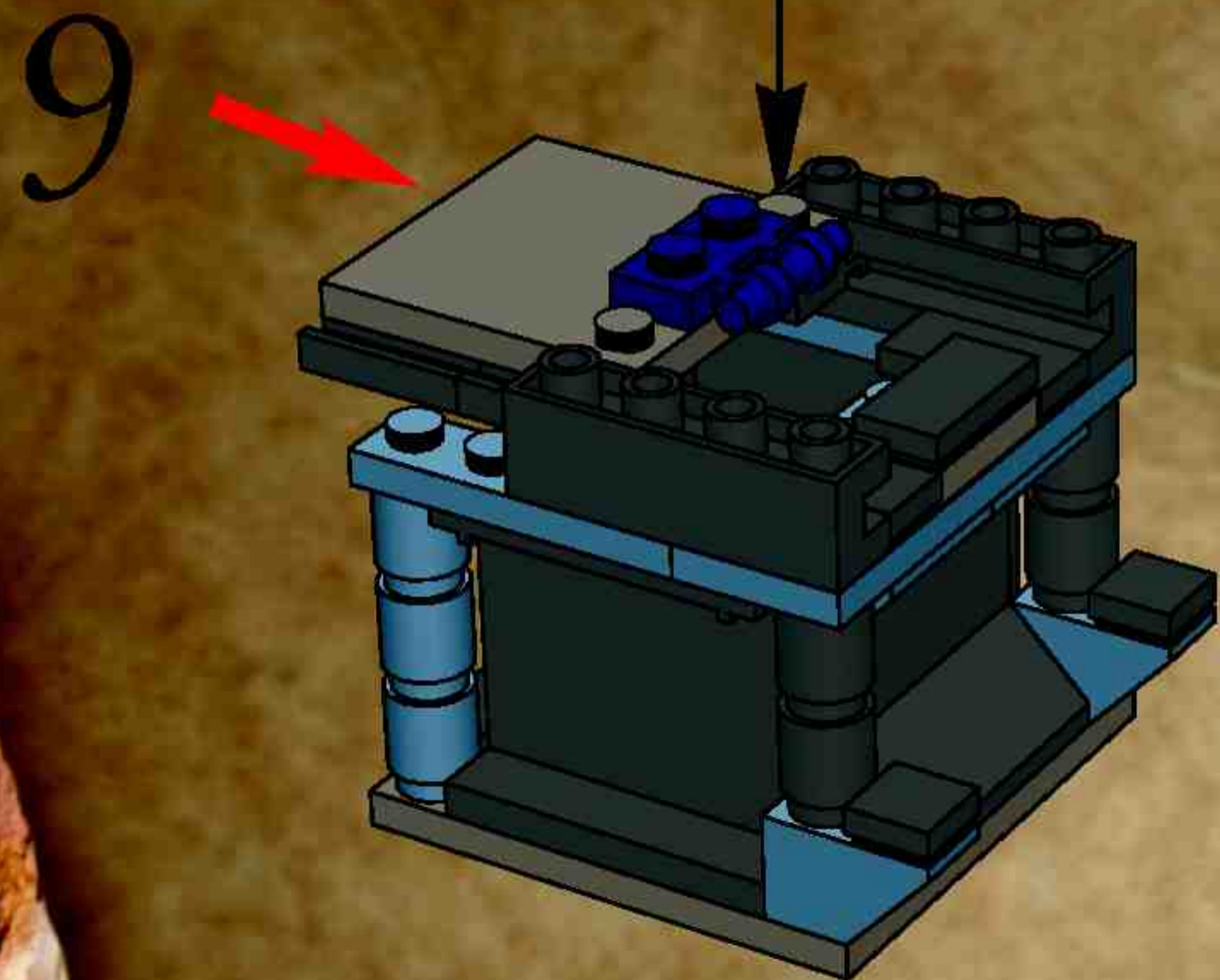
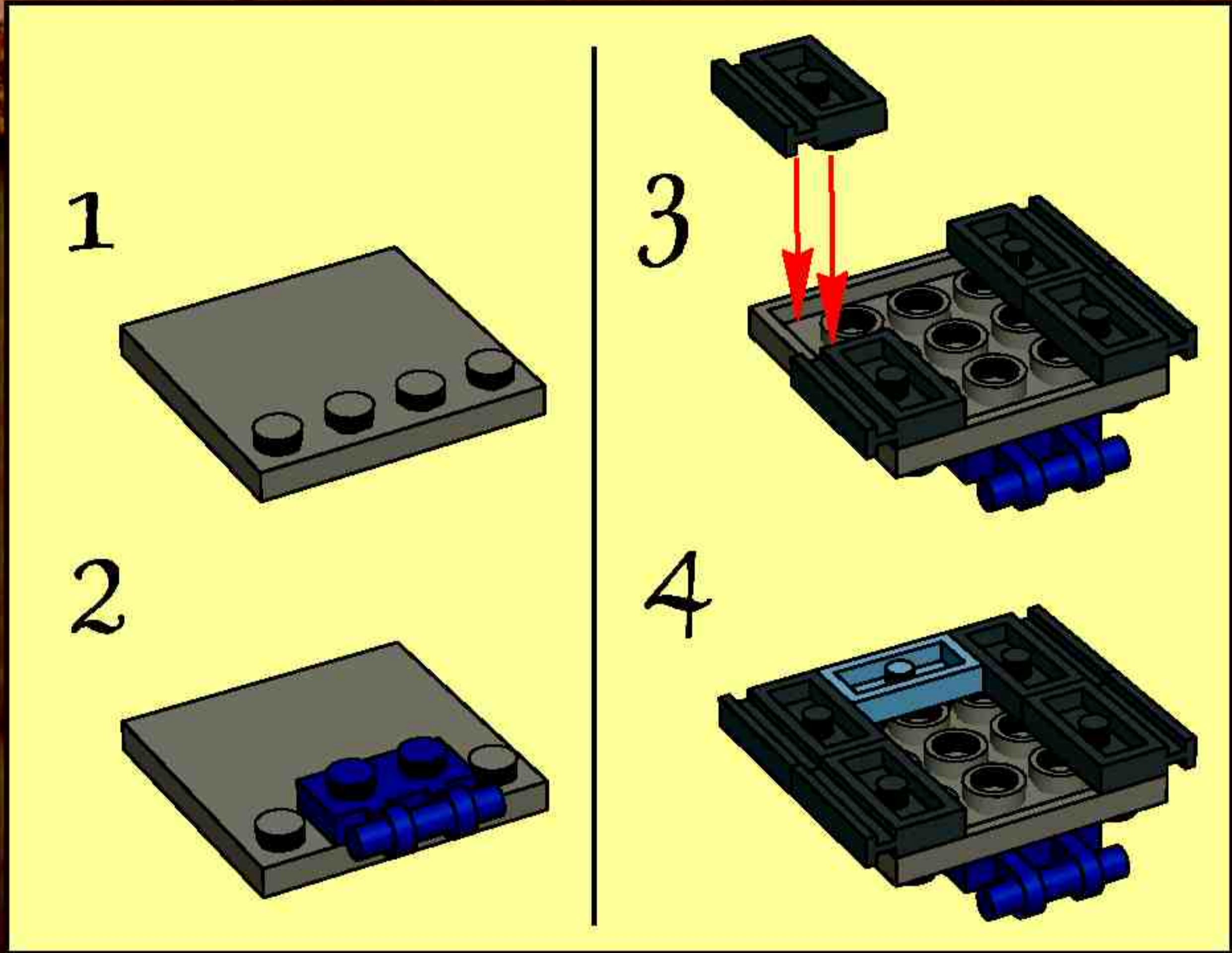


7

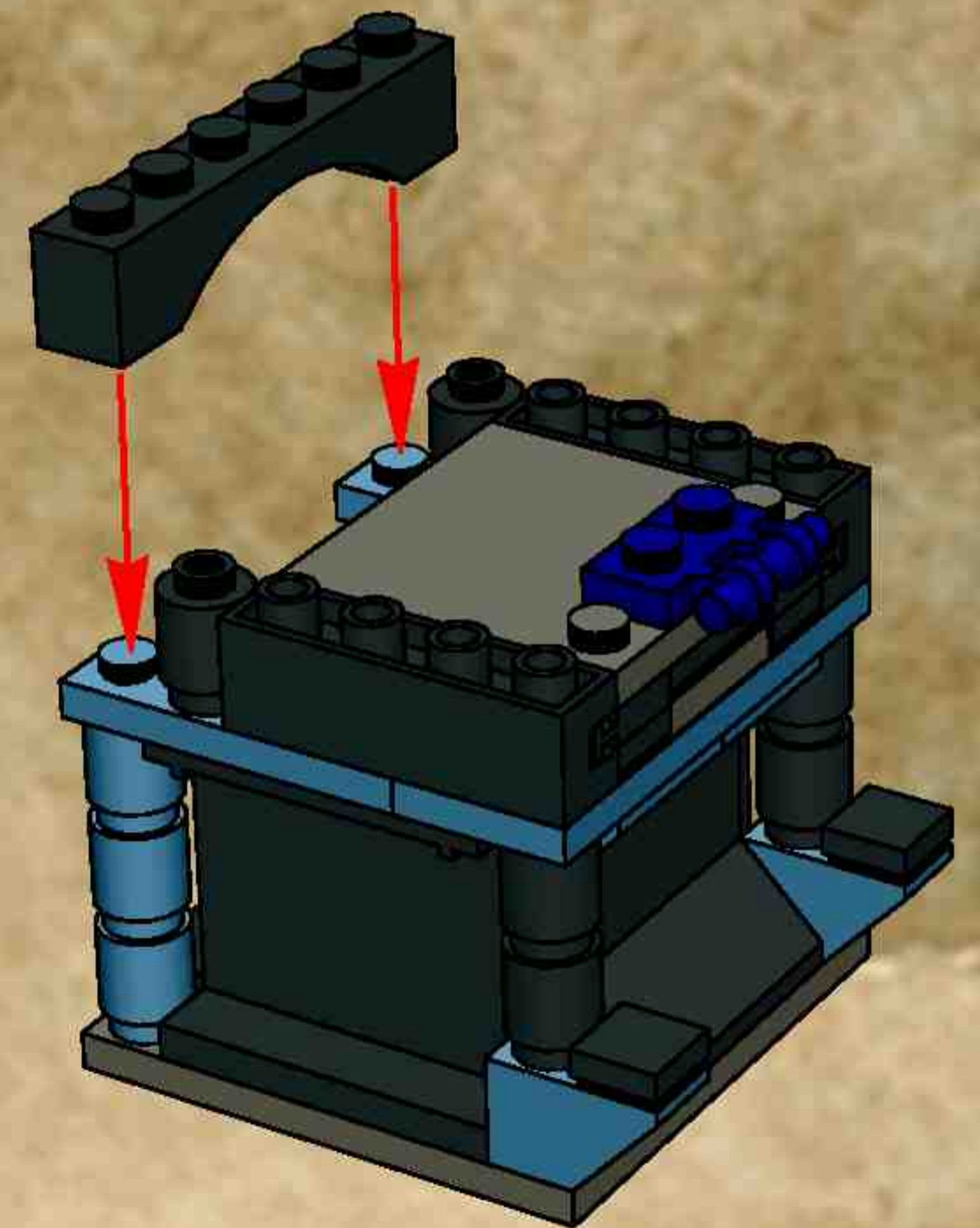


8

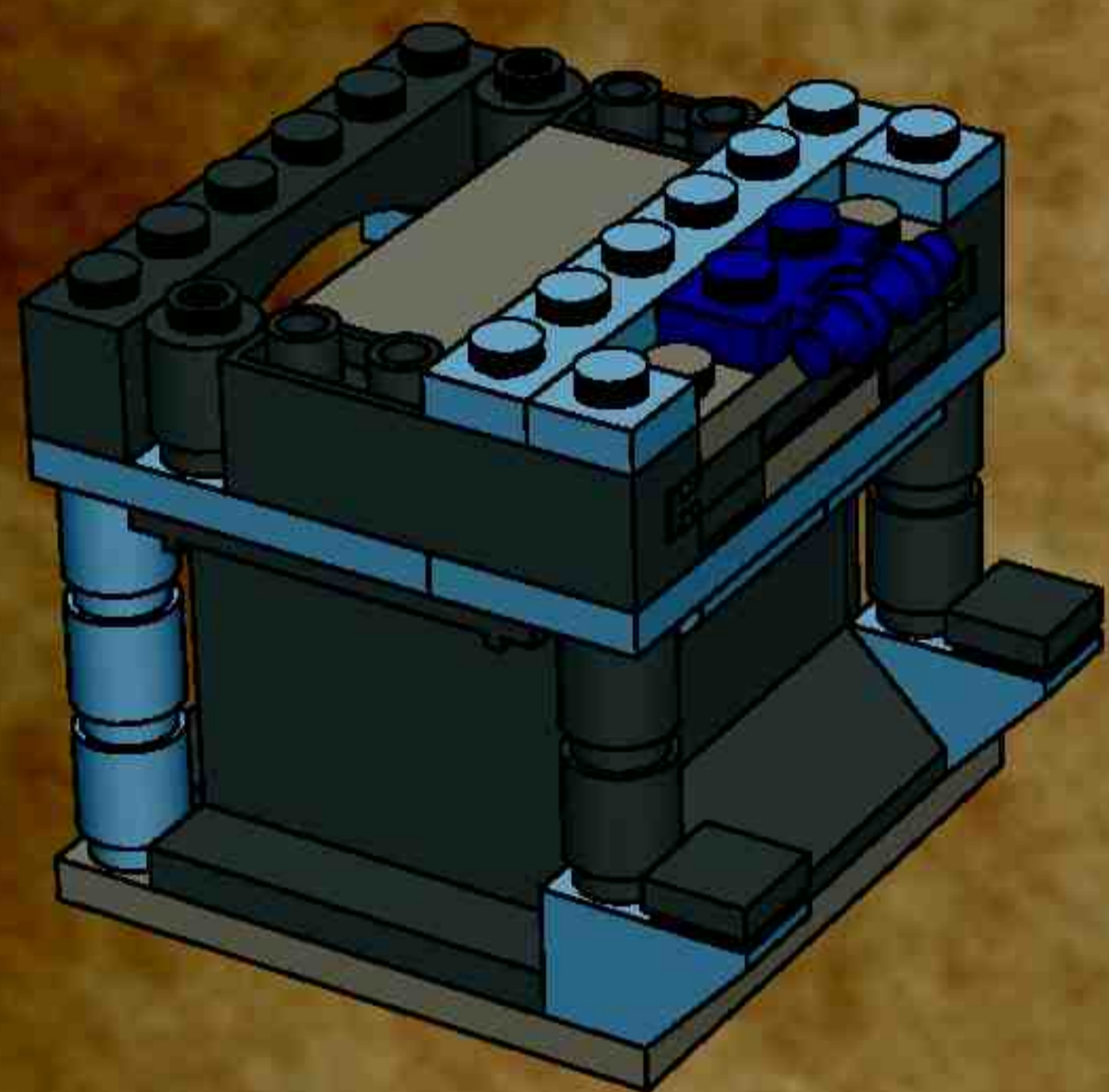




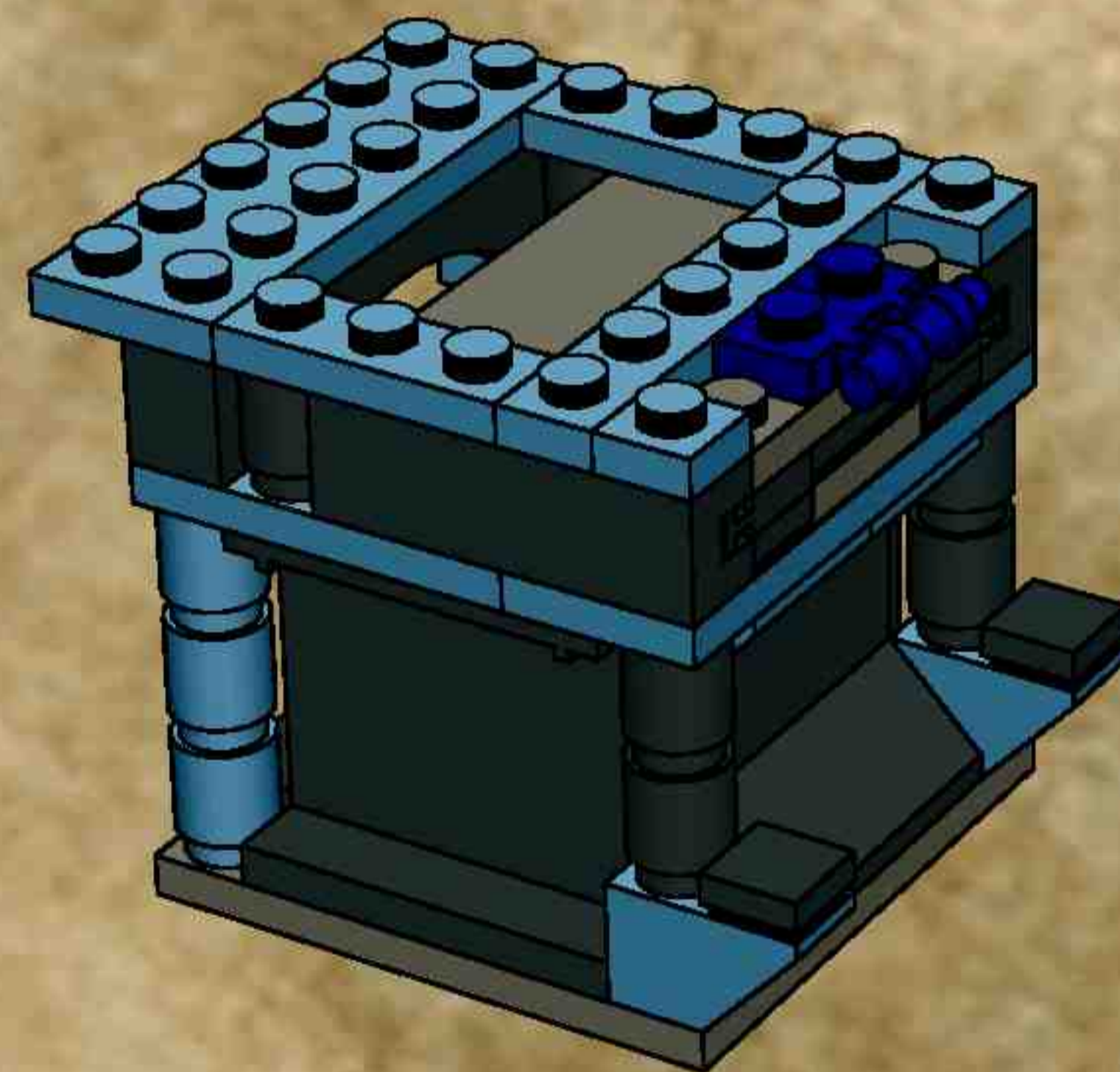
10

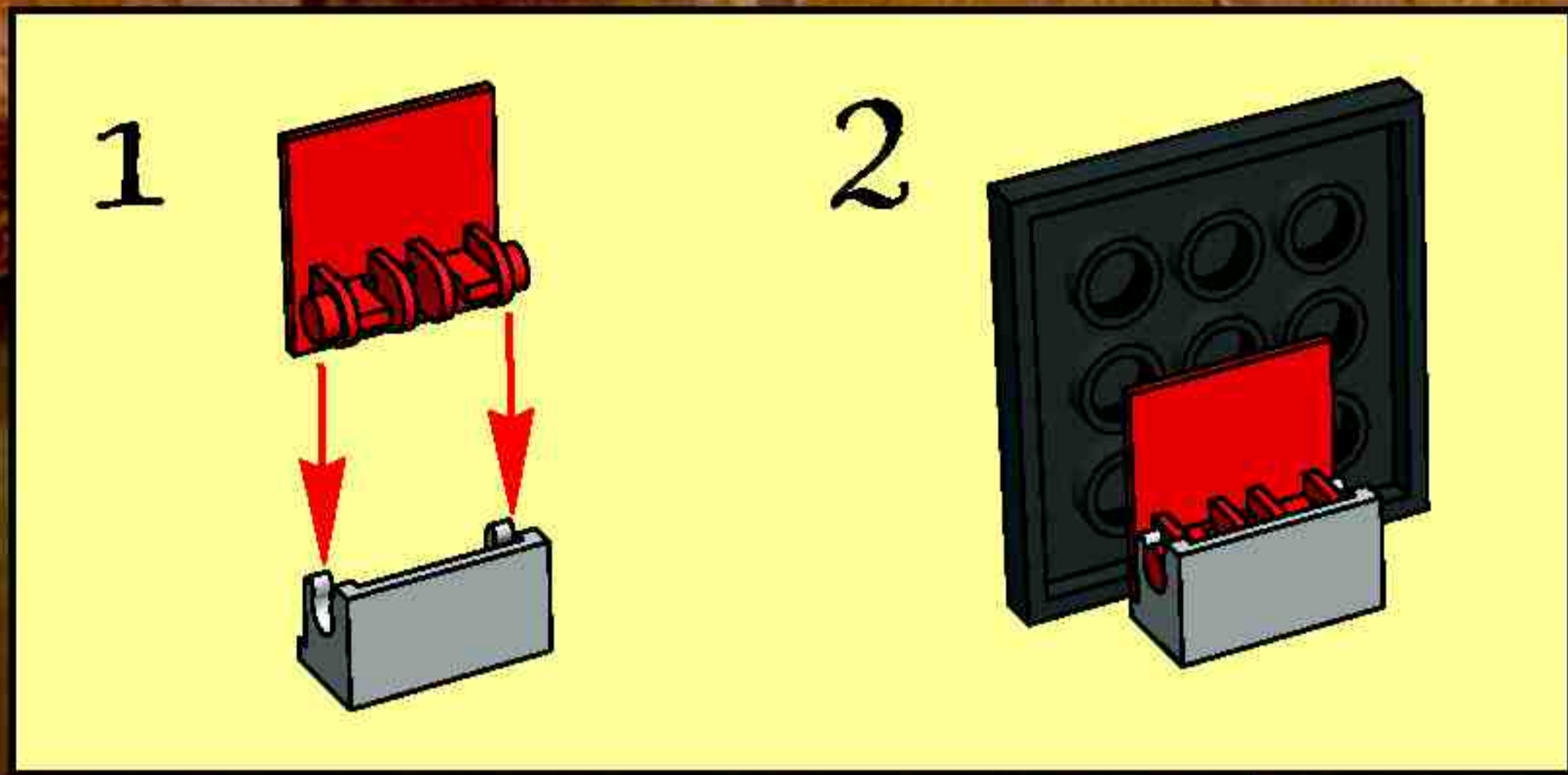


11

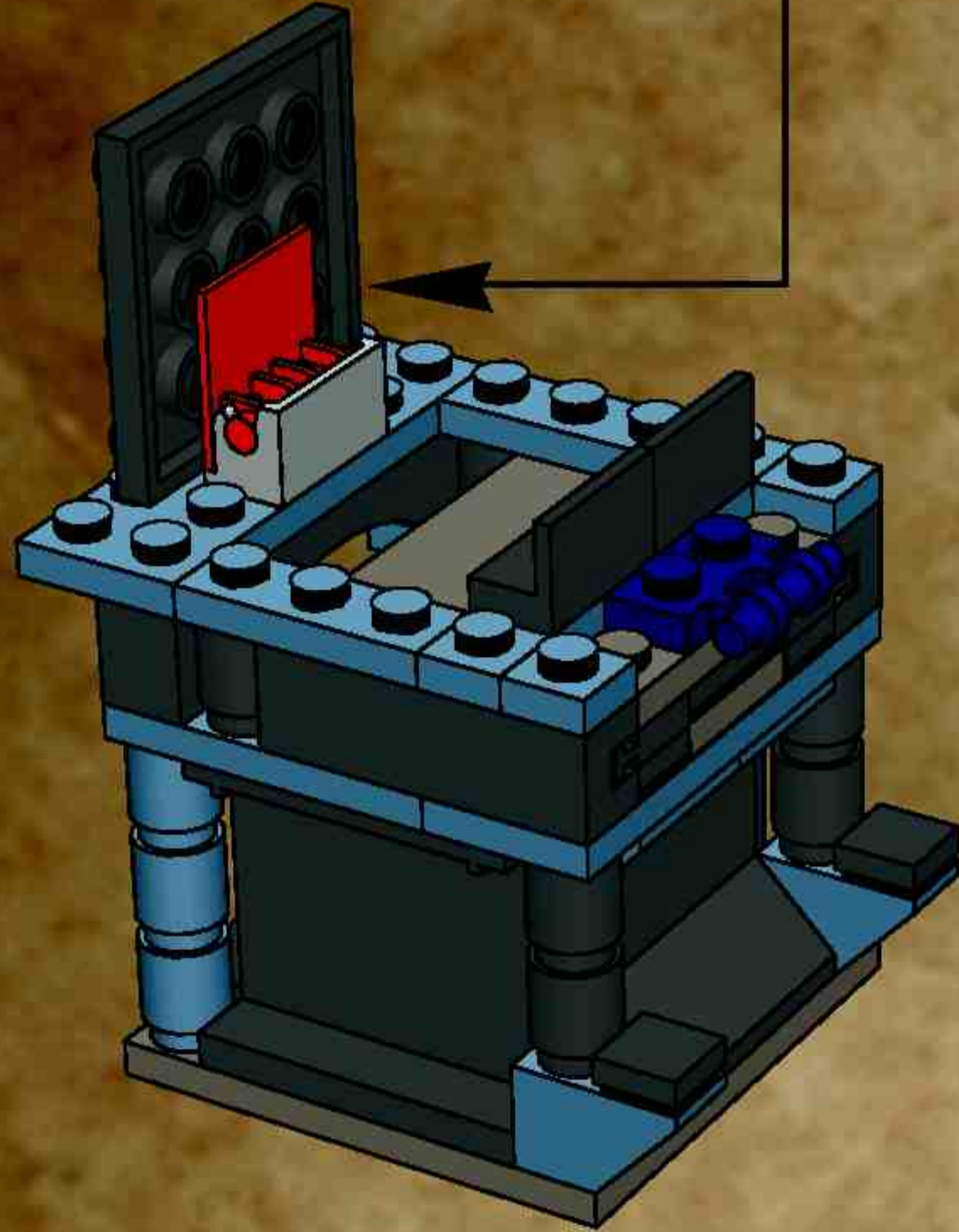


12

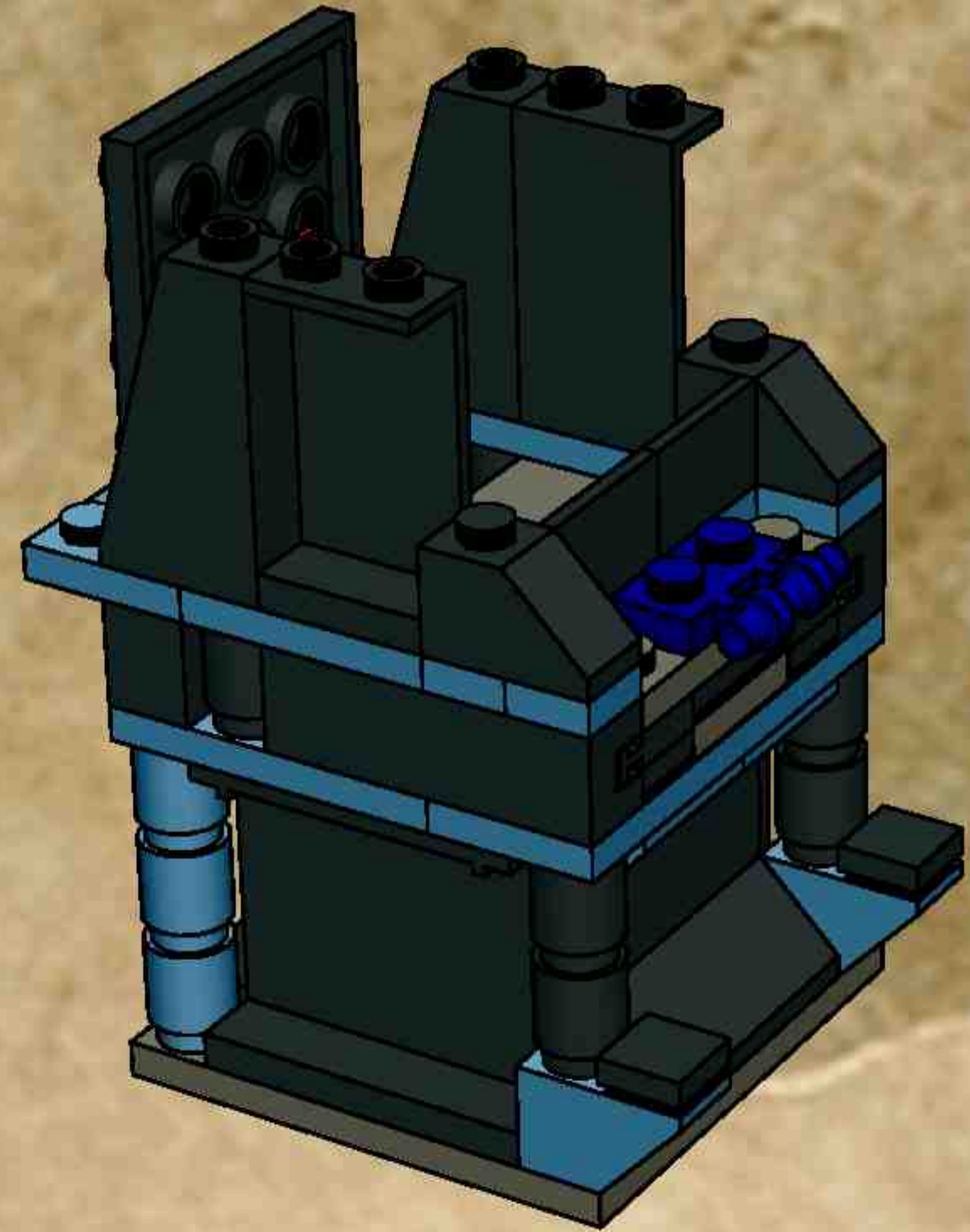




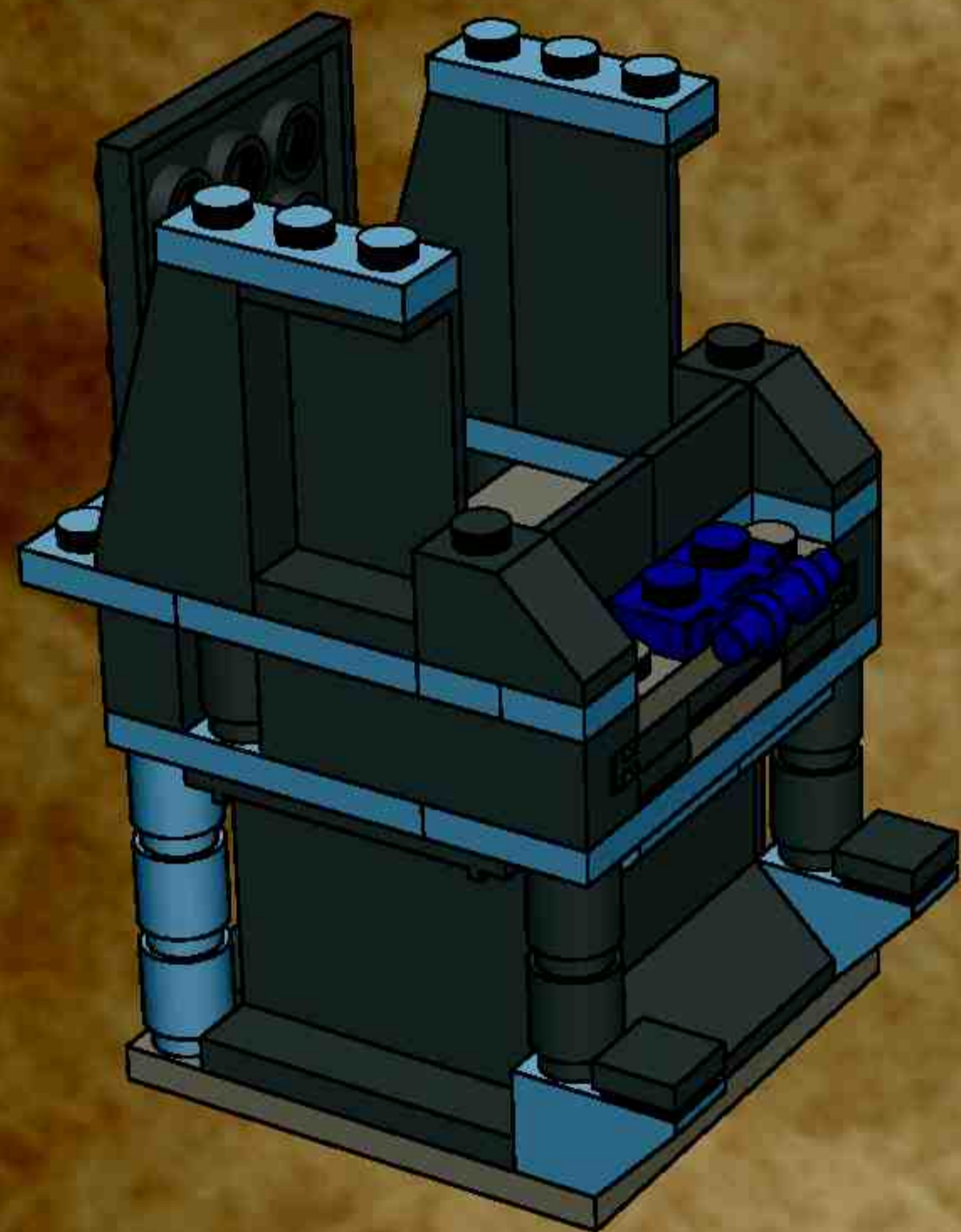
13



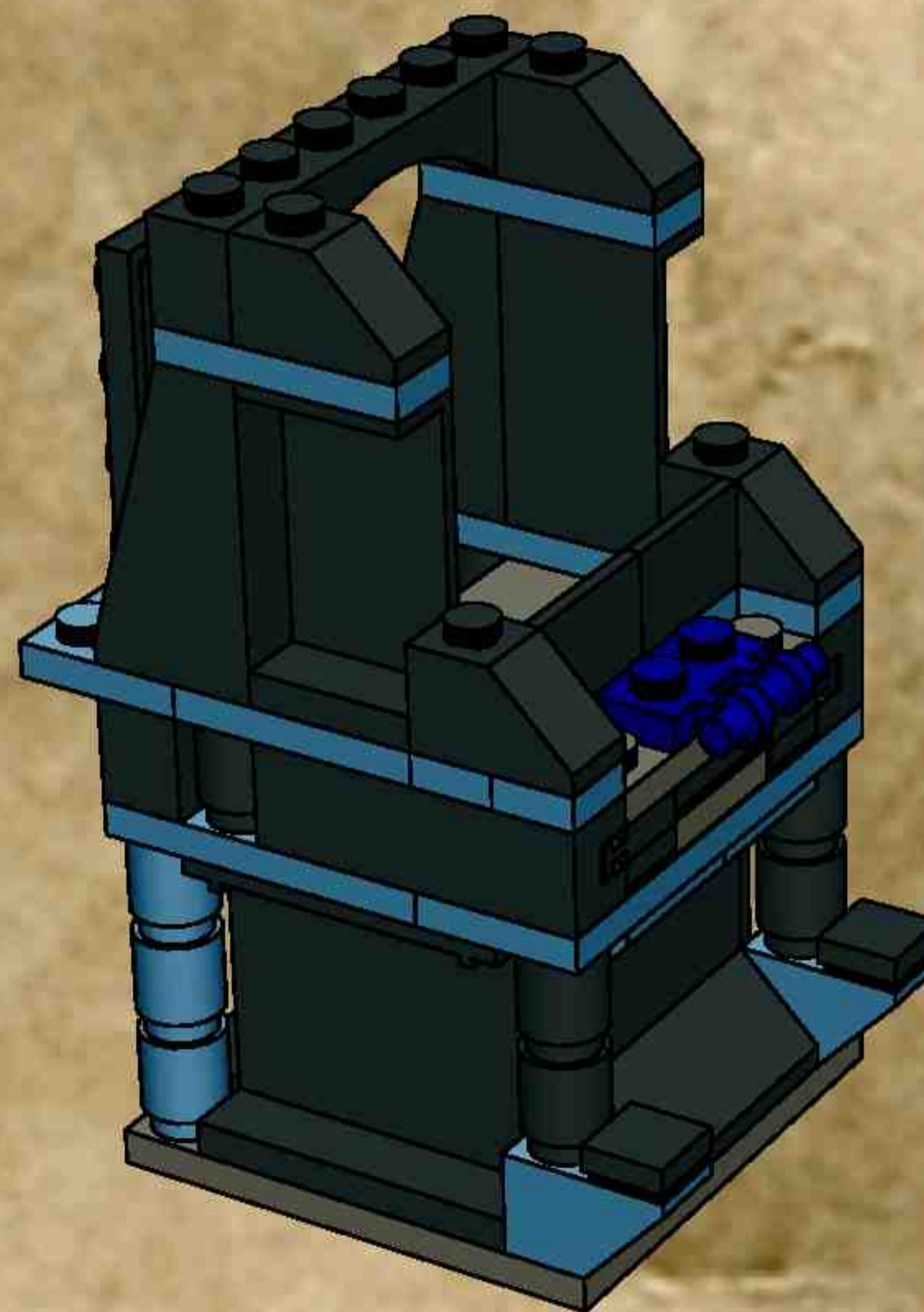
14



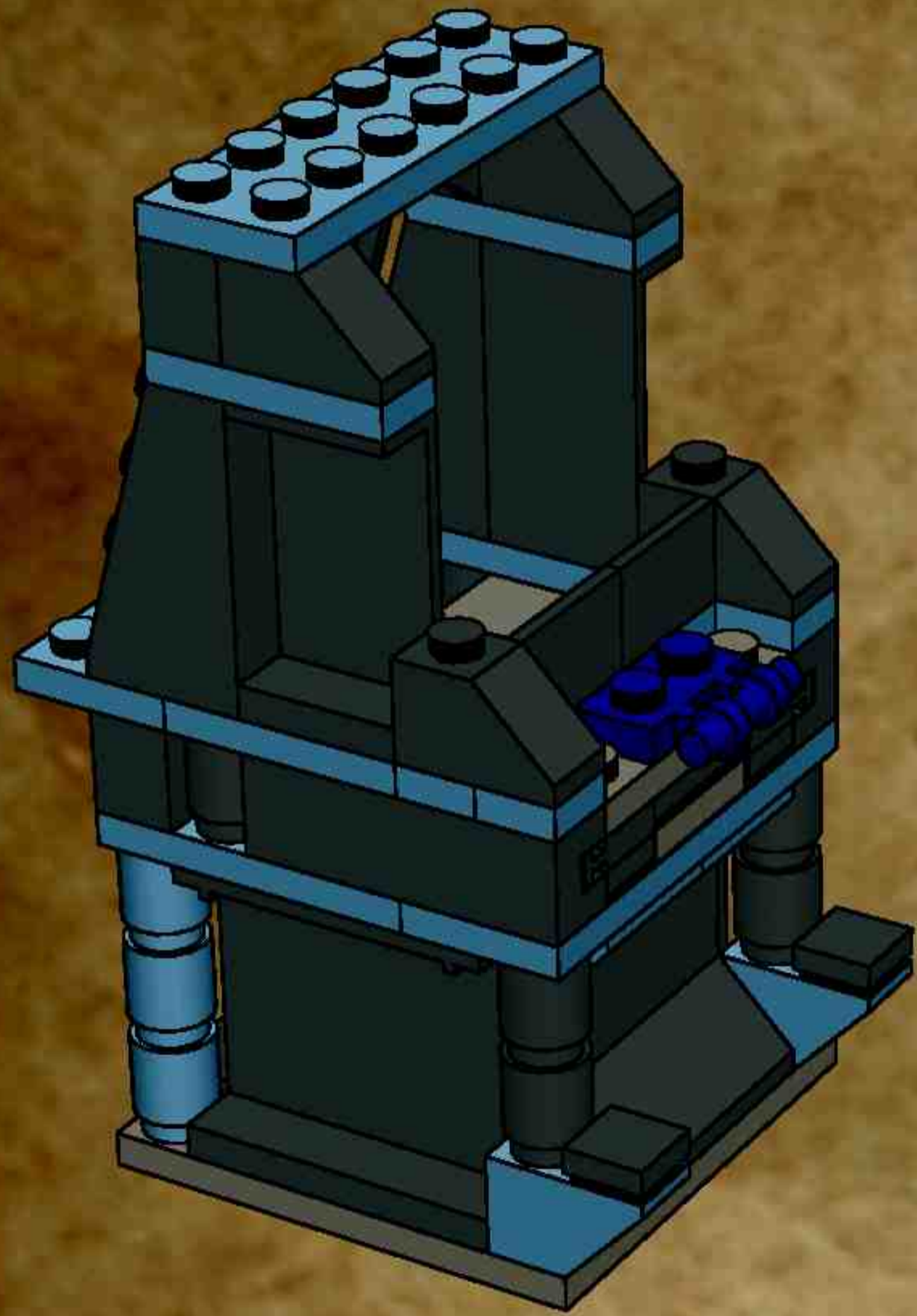
15



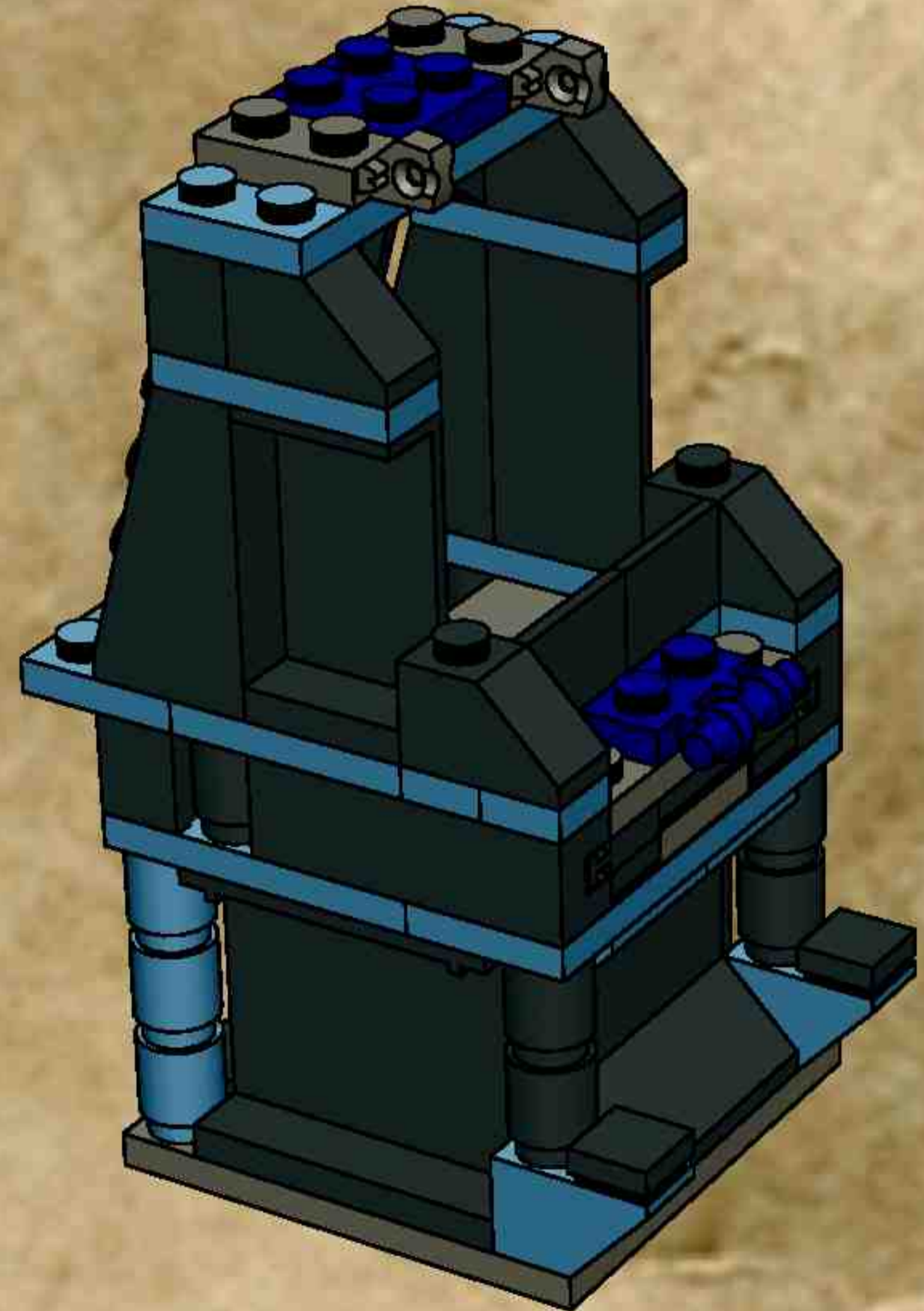
16



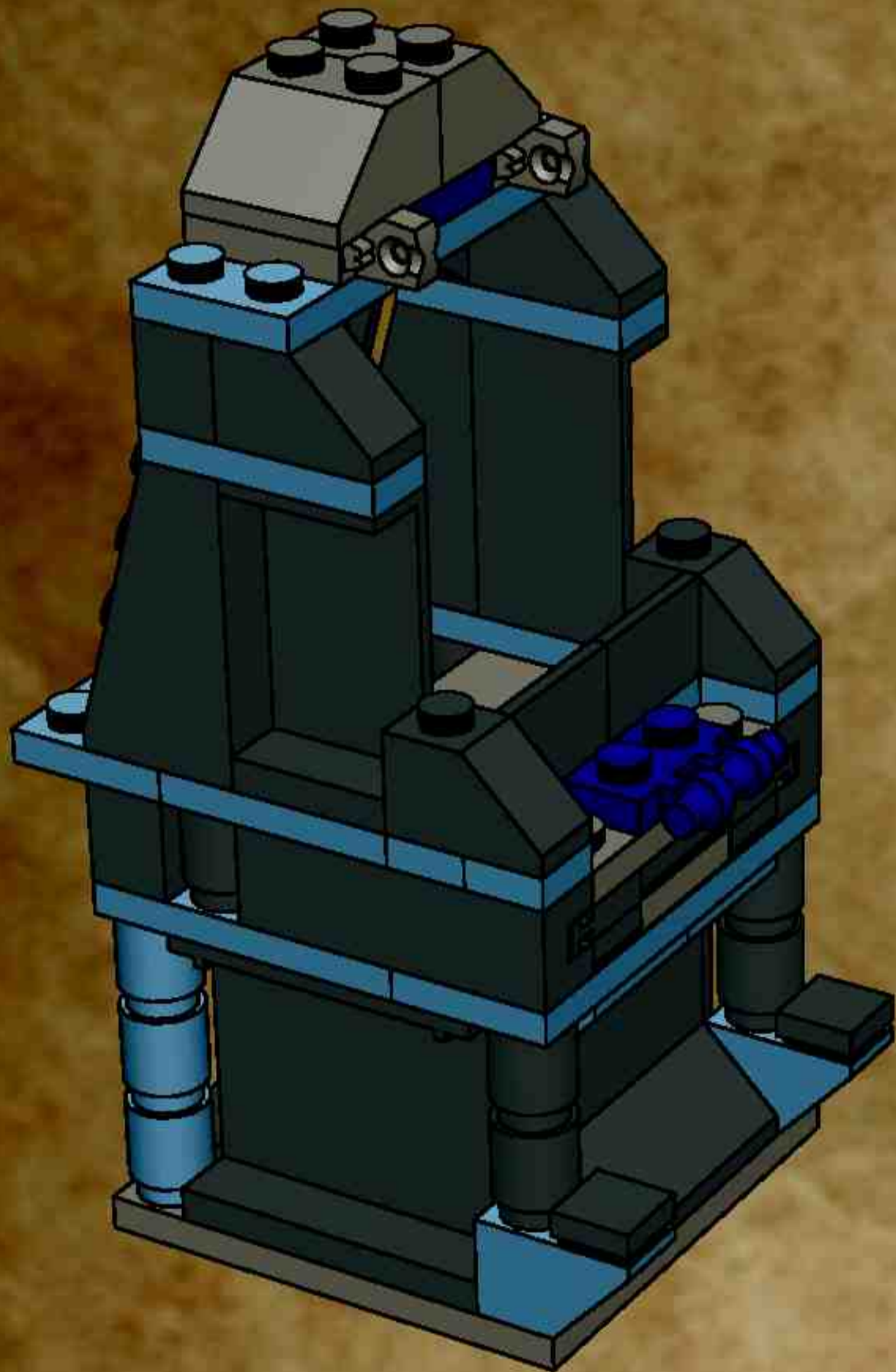
17



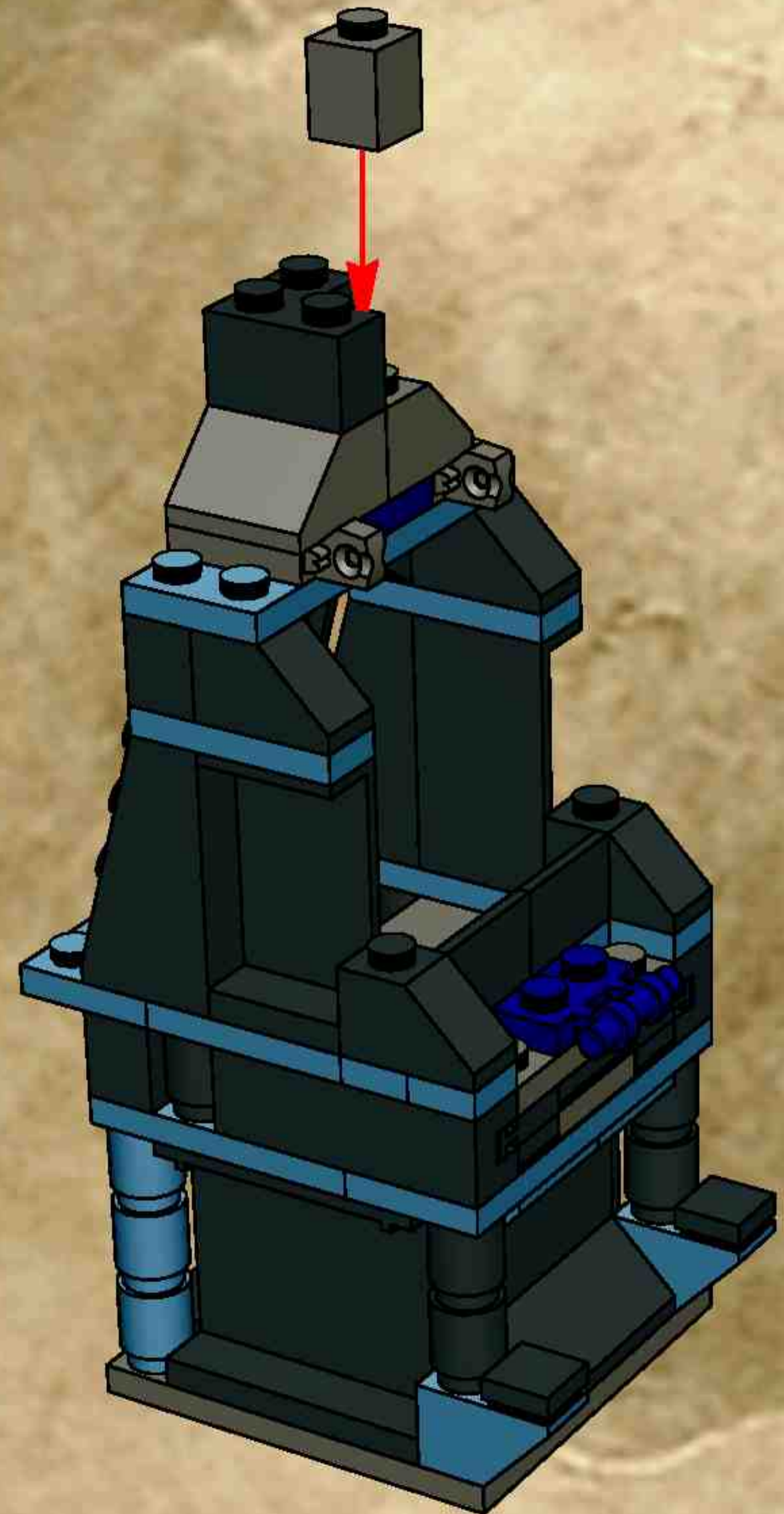
18



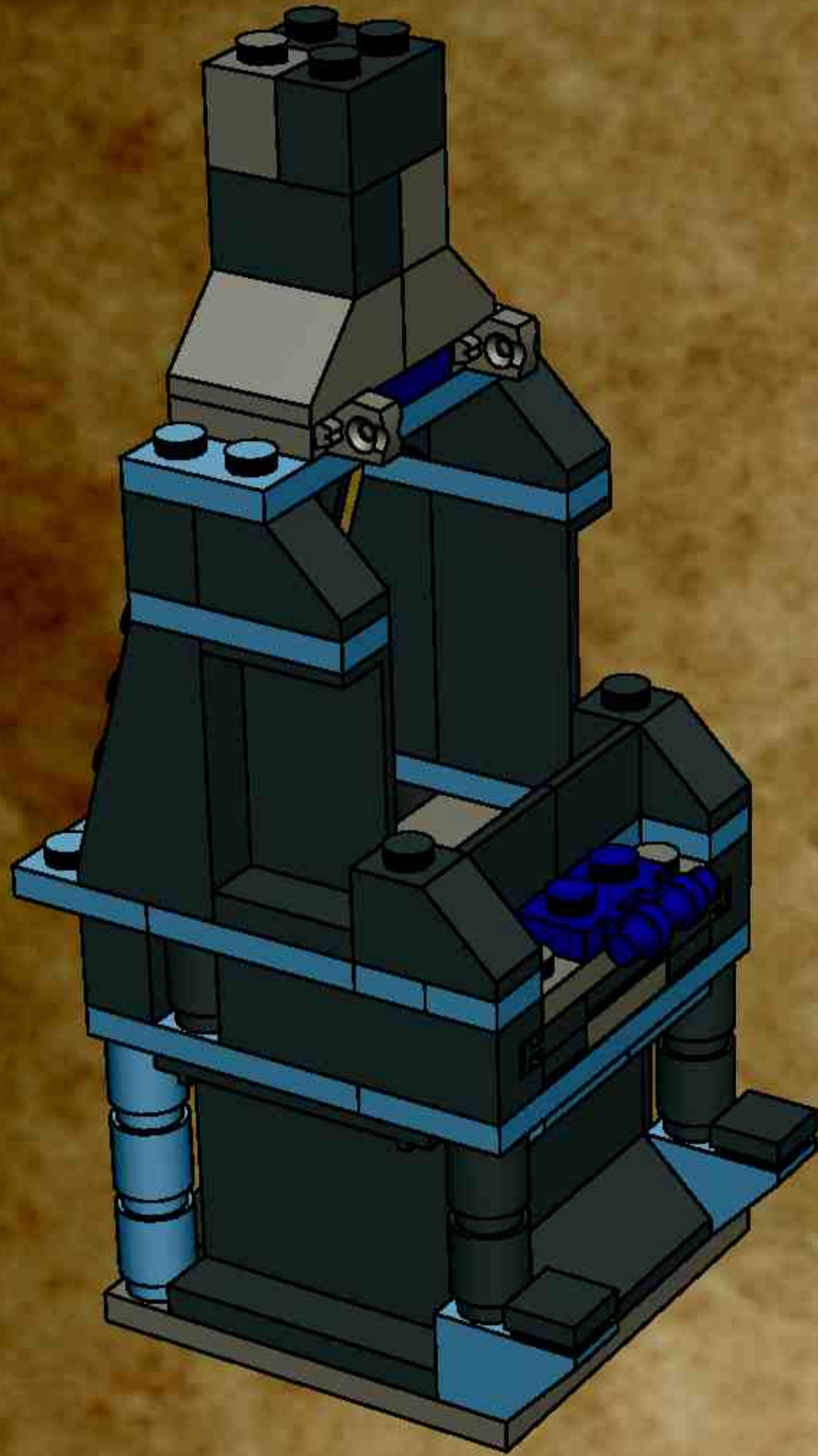
19



20



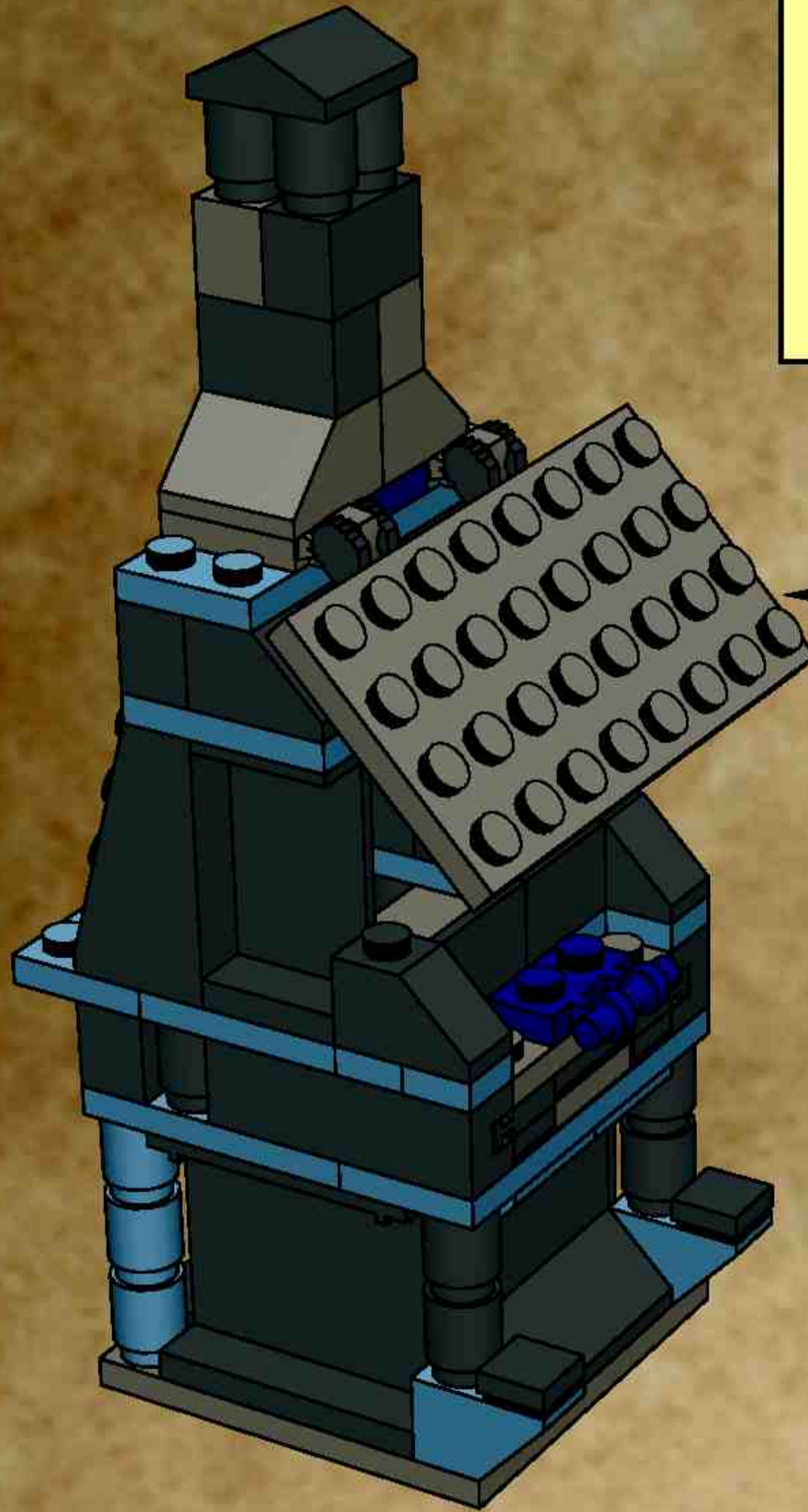
21



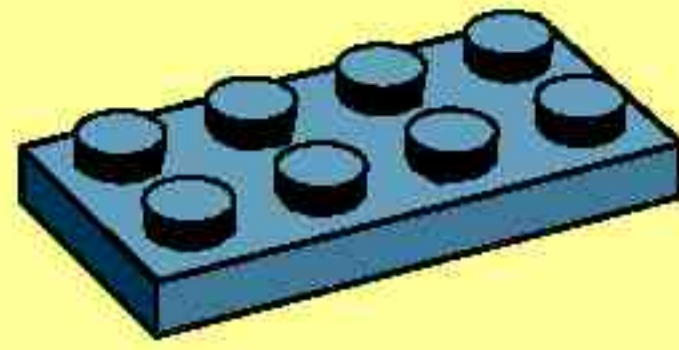
22



23



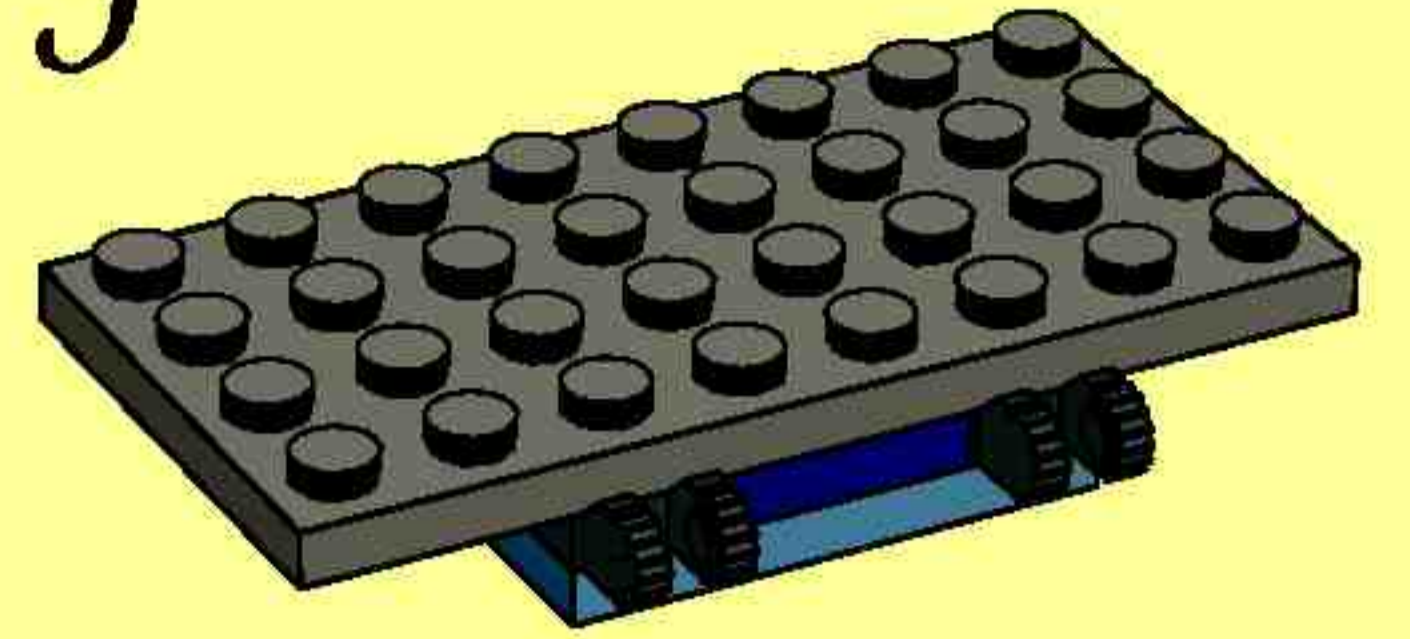
1



2

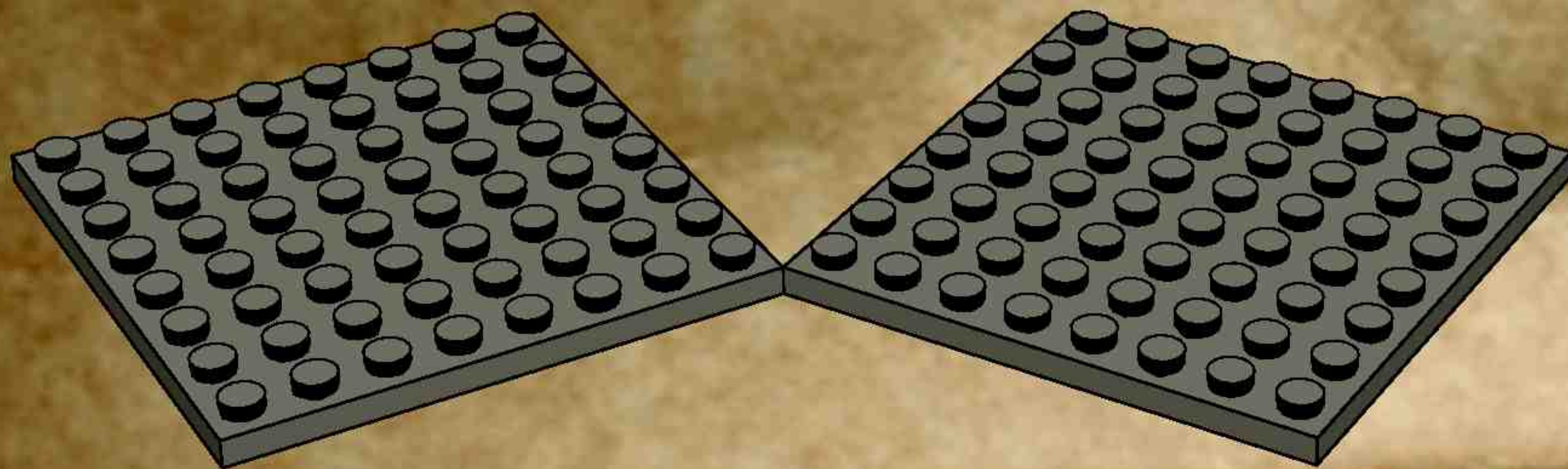


3

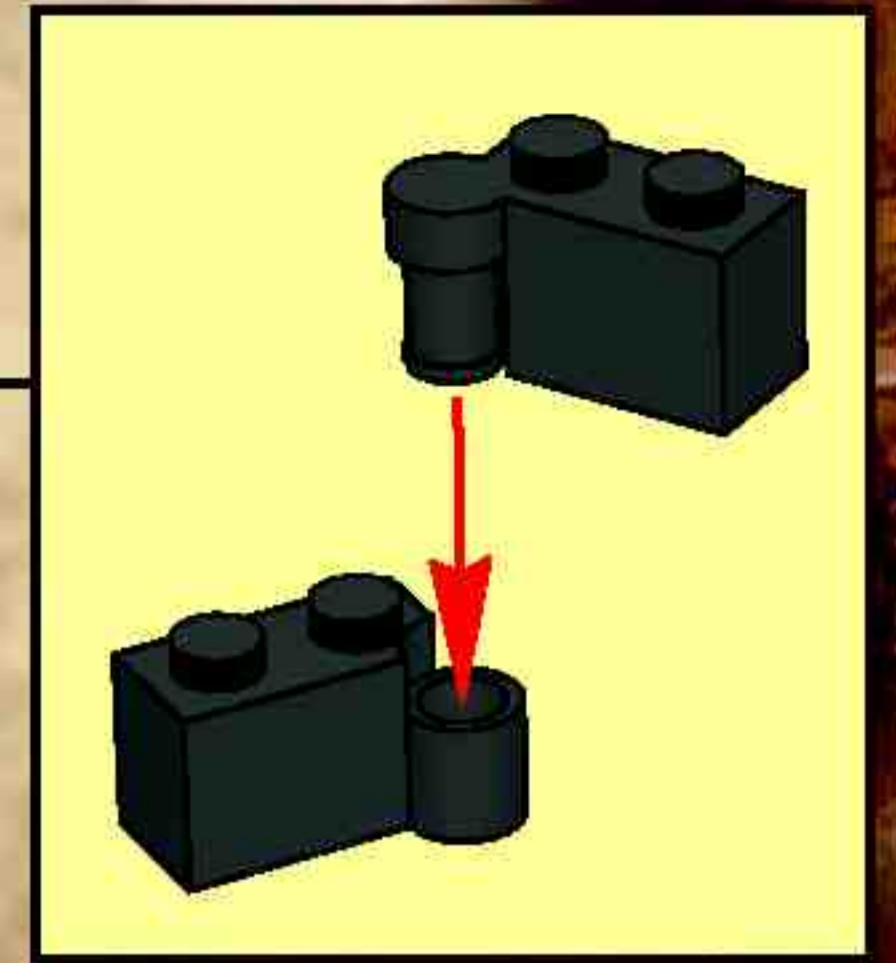
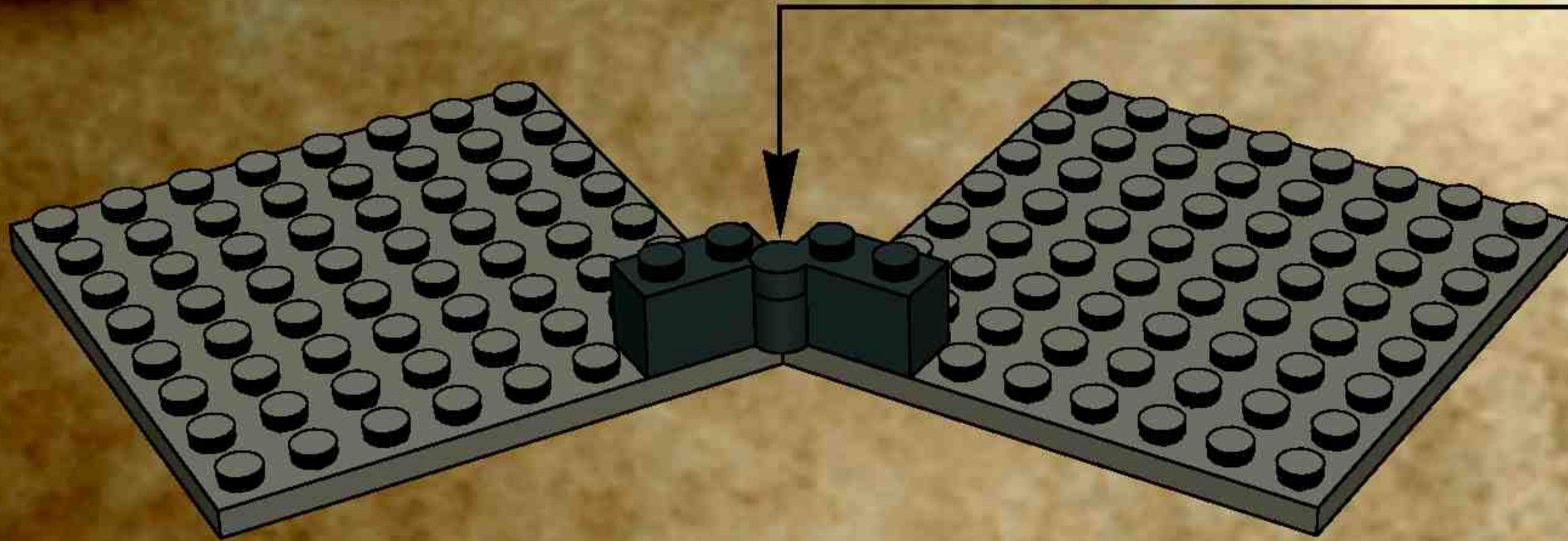




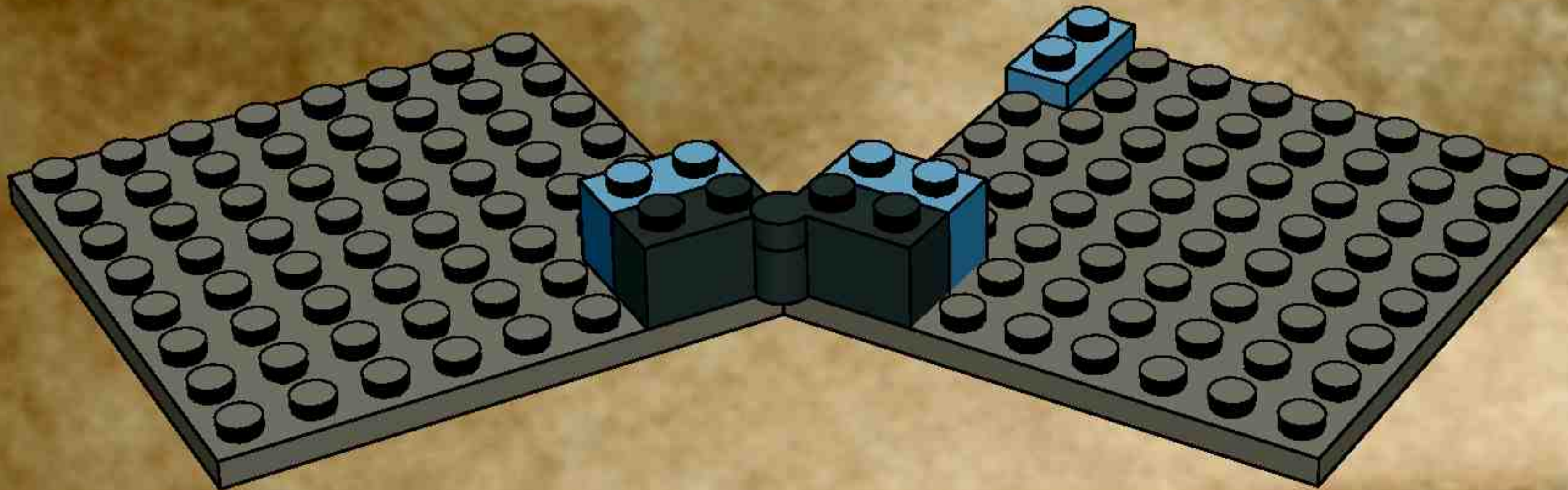
1



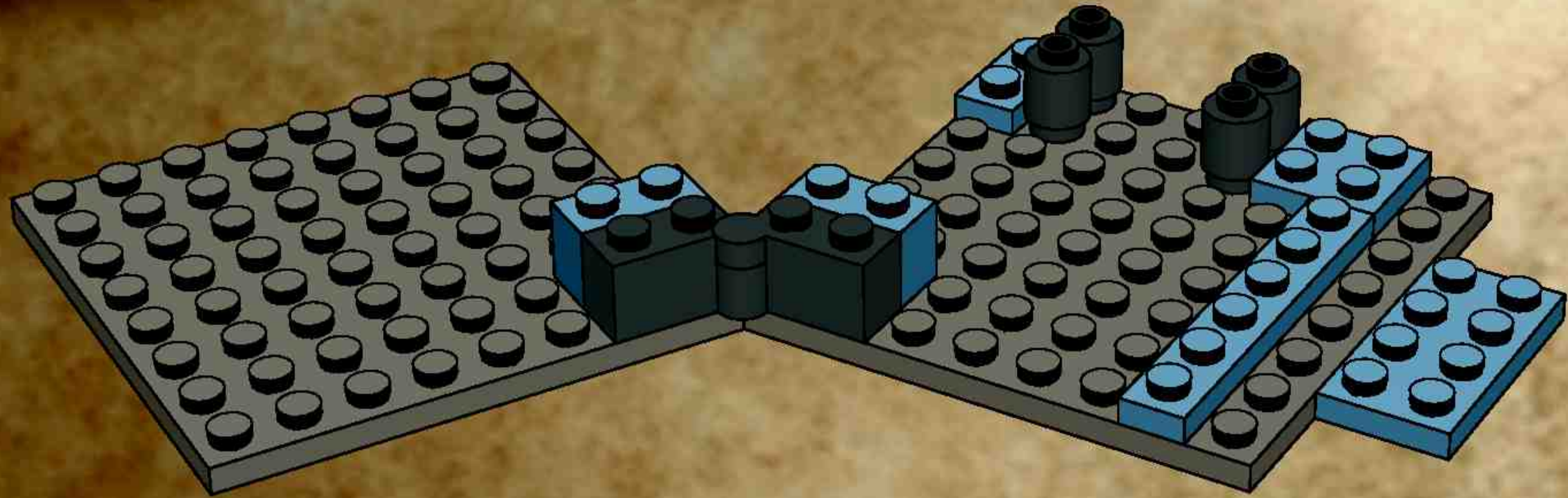
2



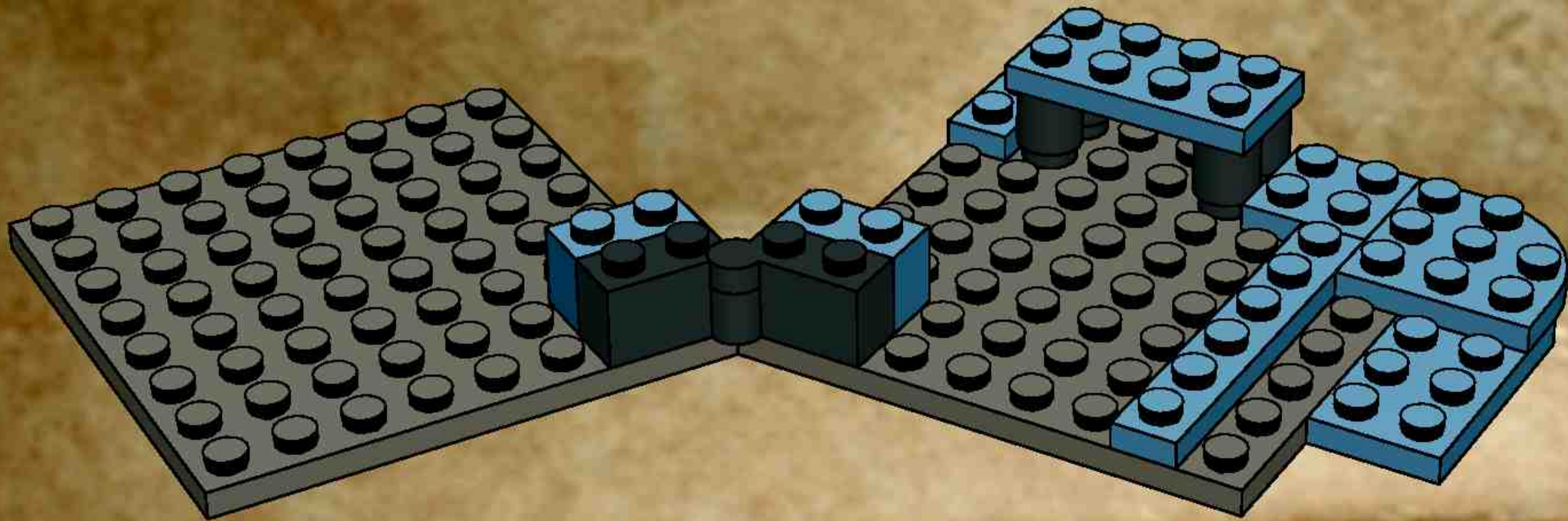
3



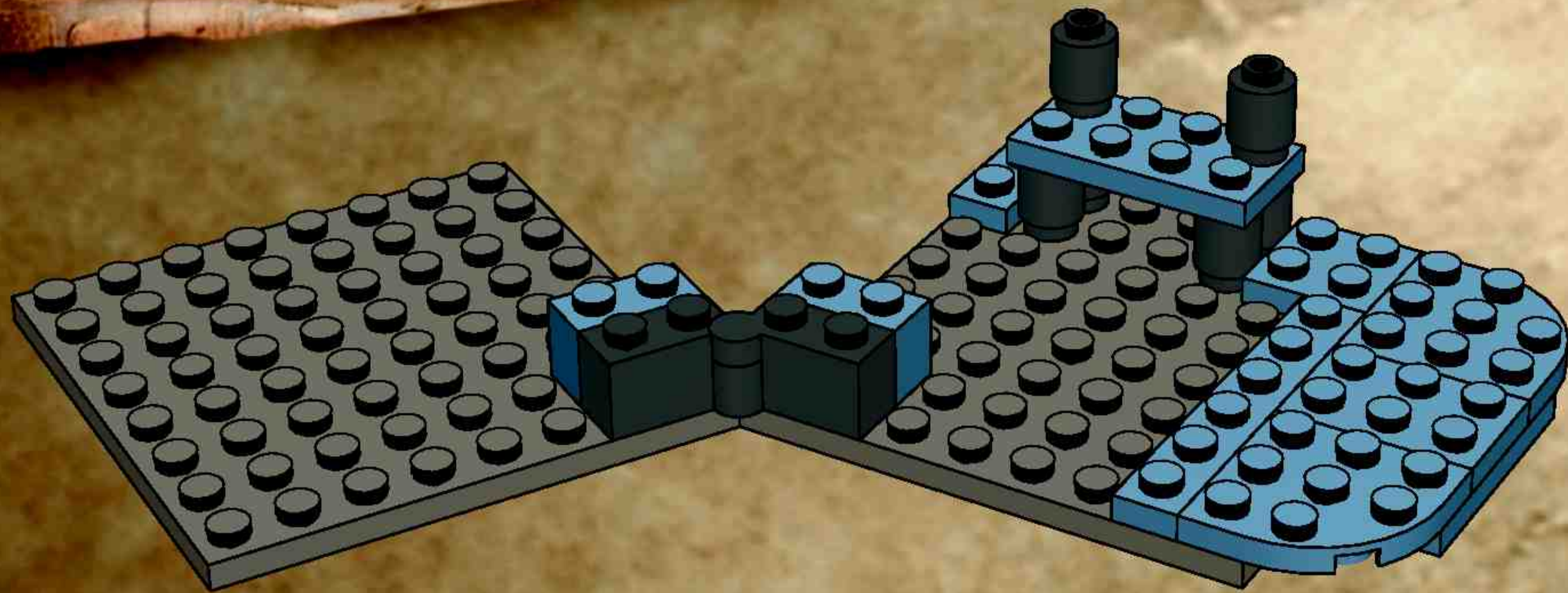
4



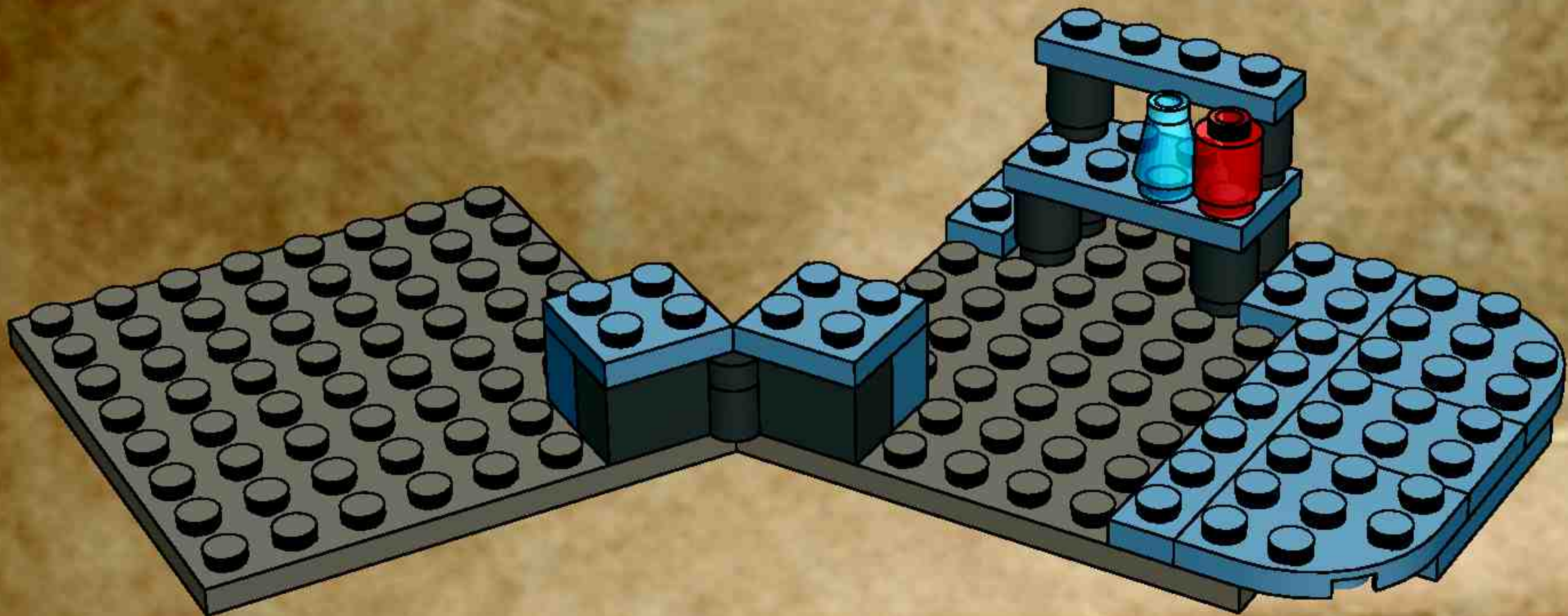
5



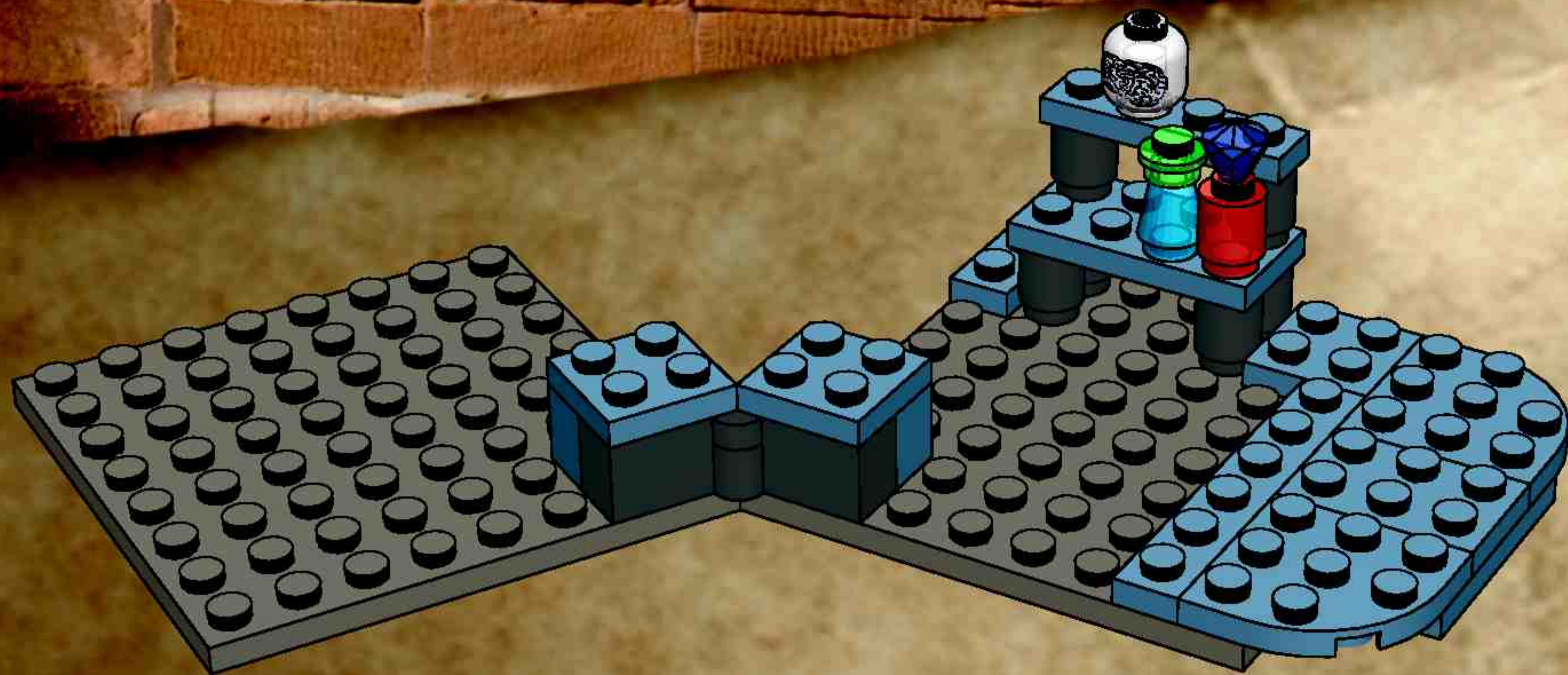
6



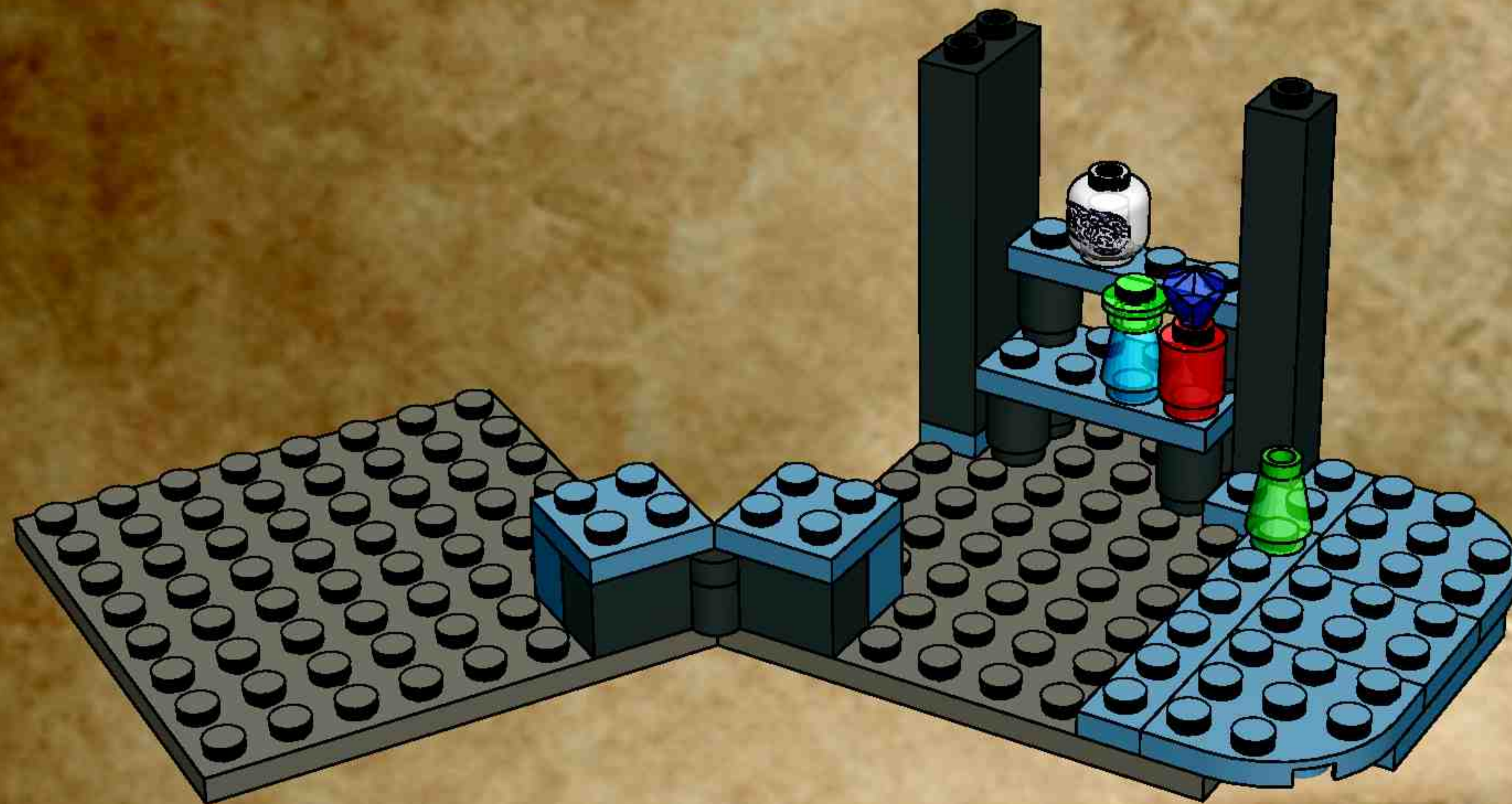
7



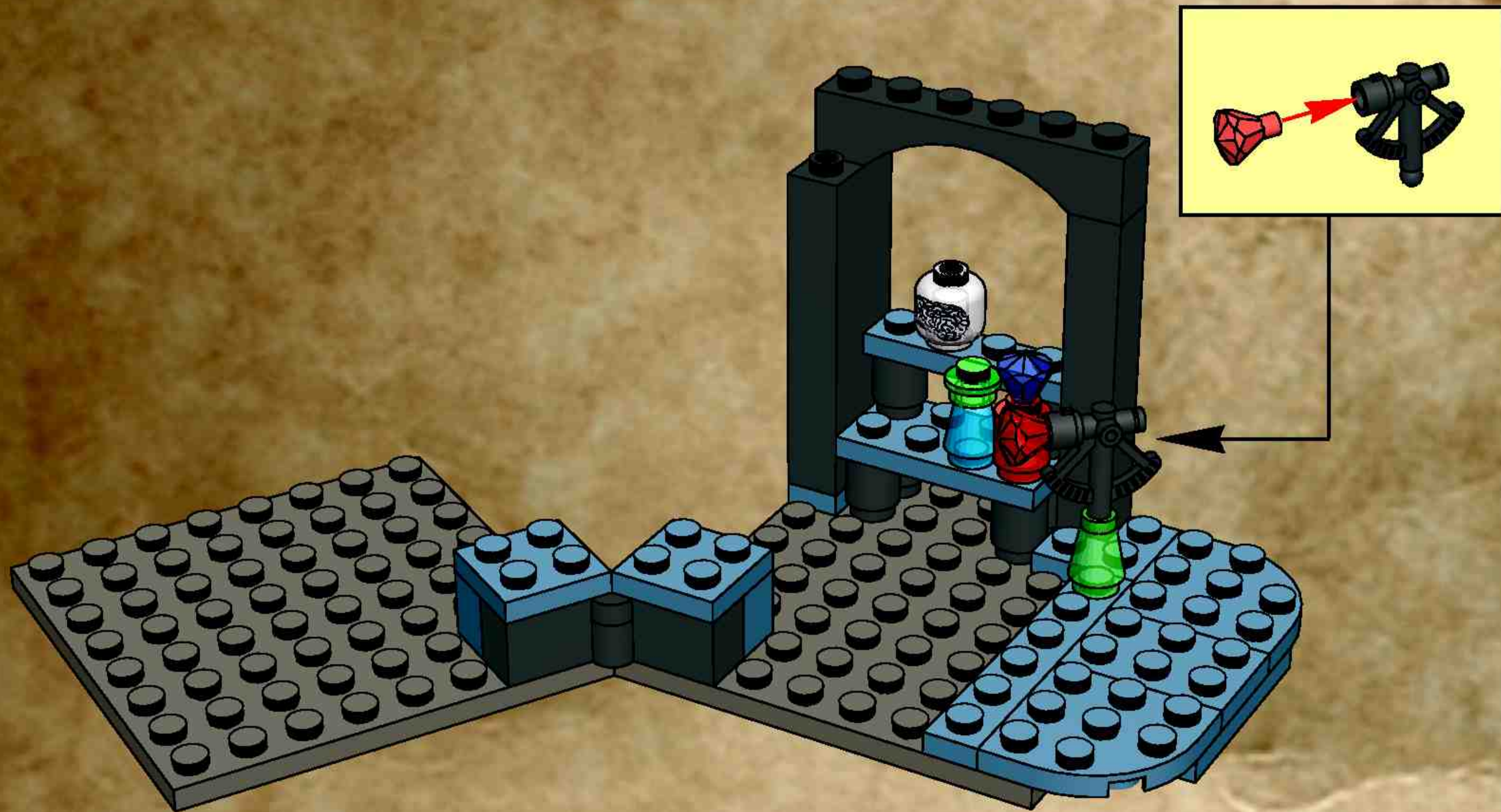
8

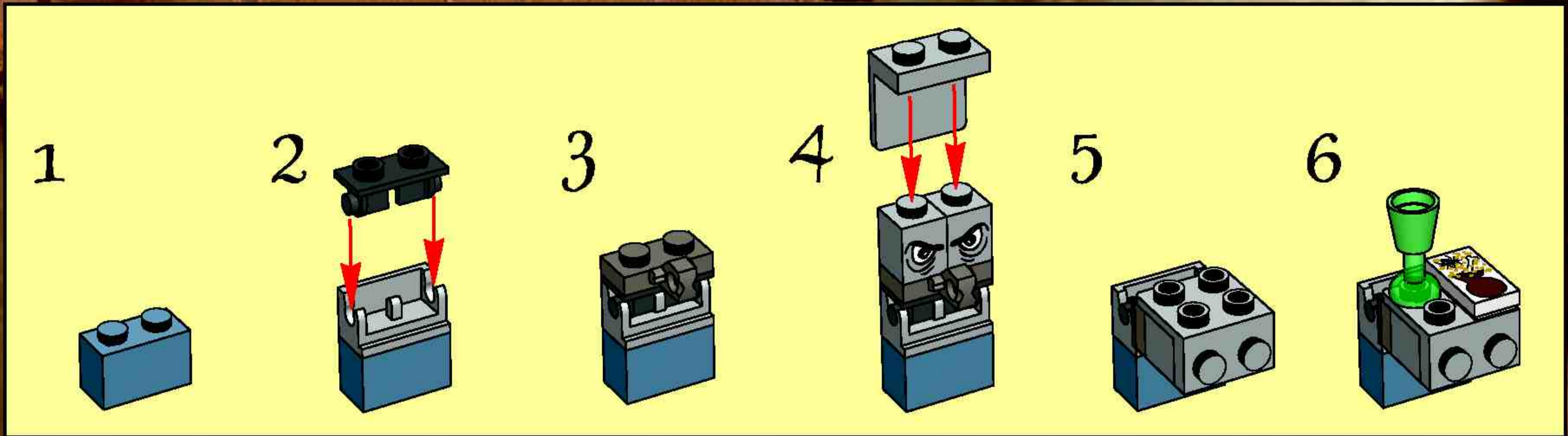


9

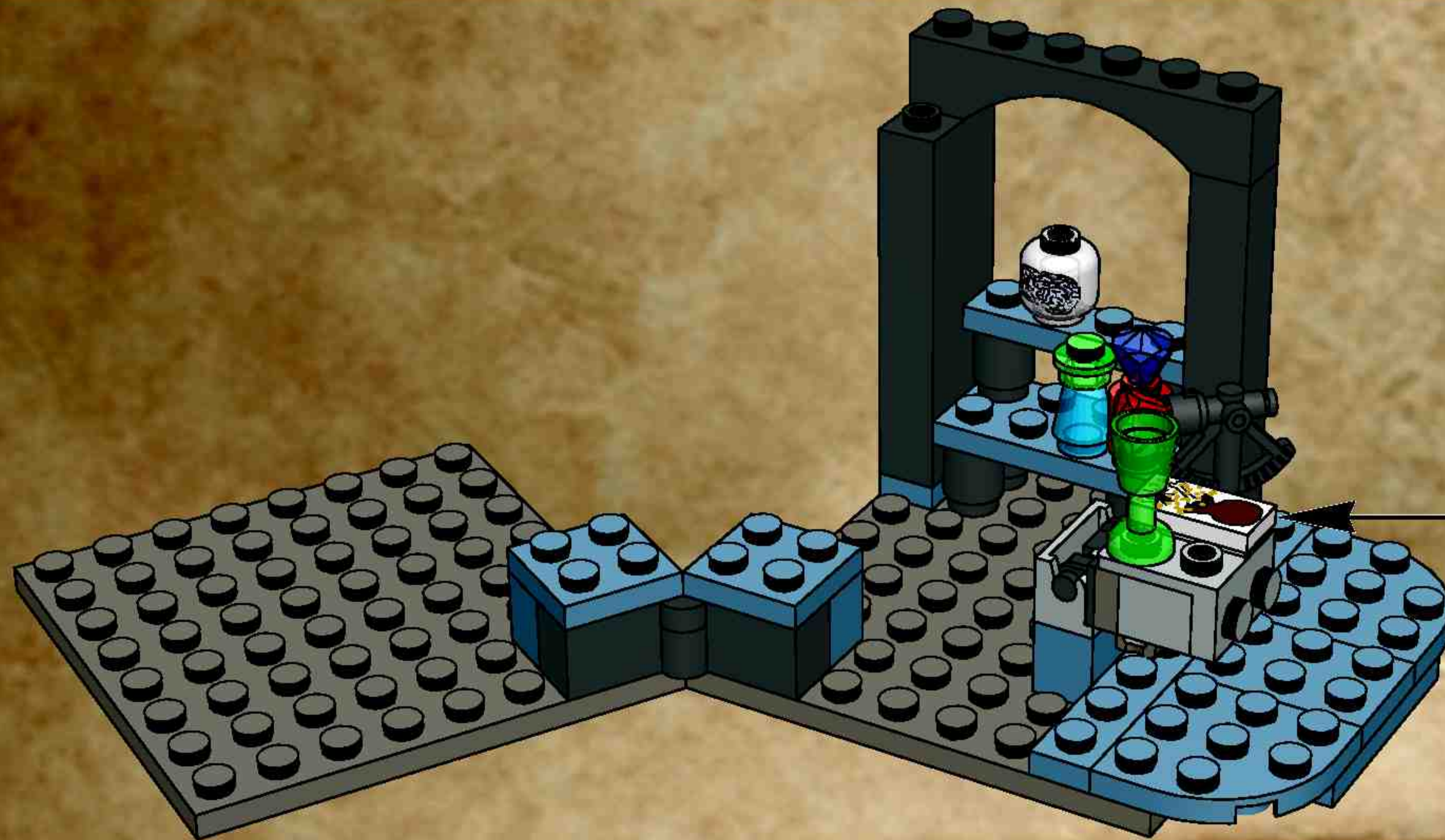


10

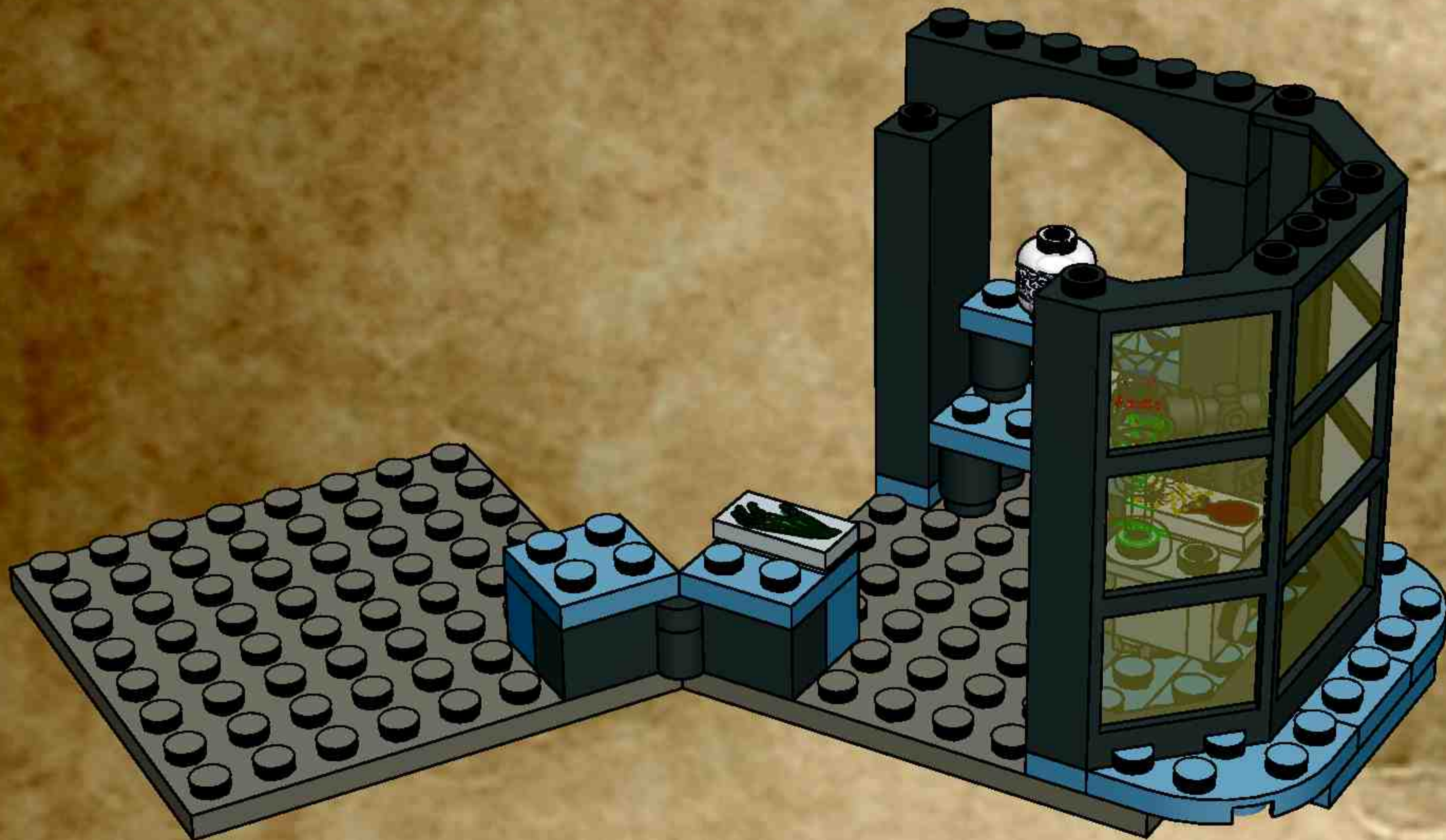




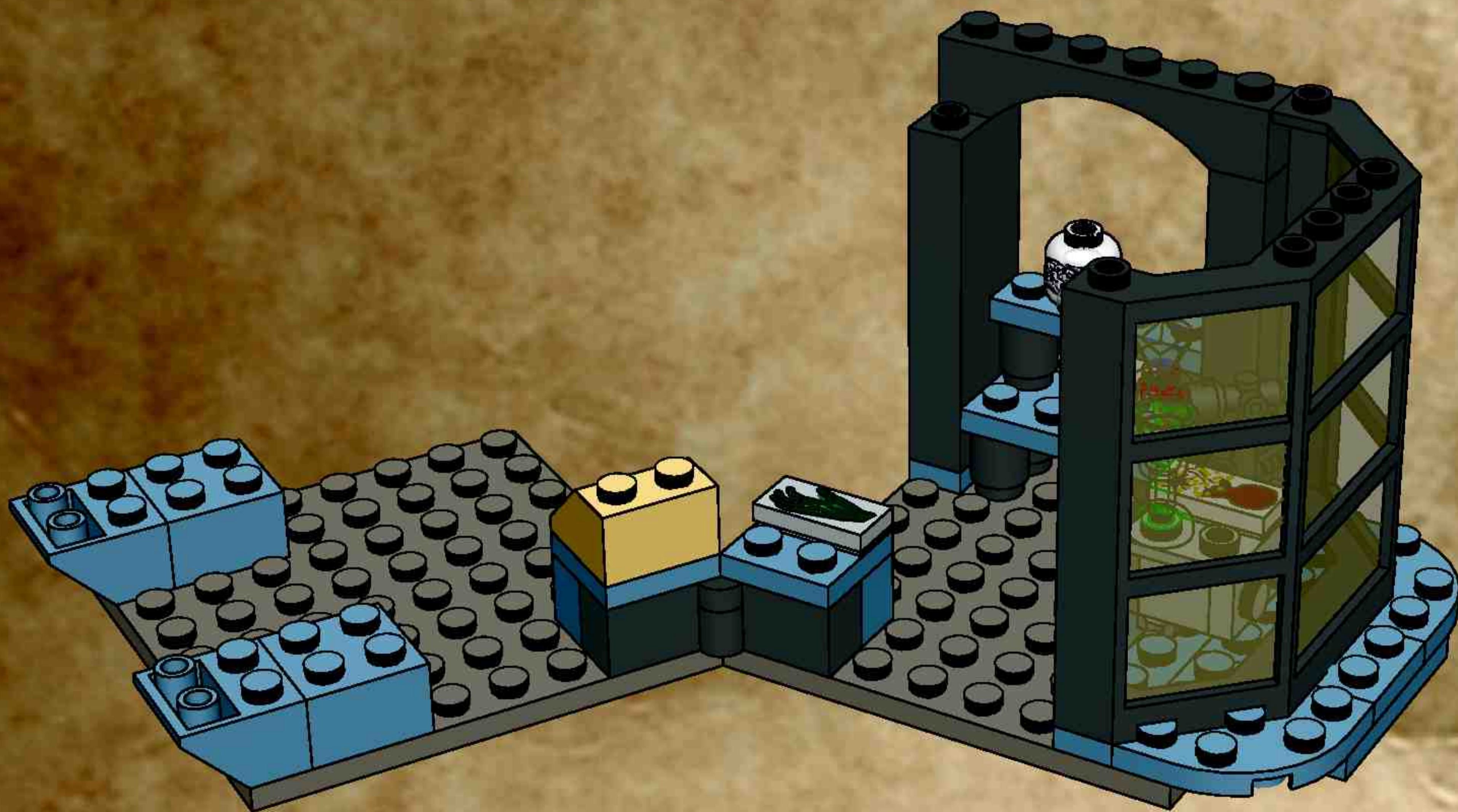
11

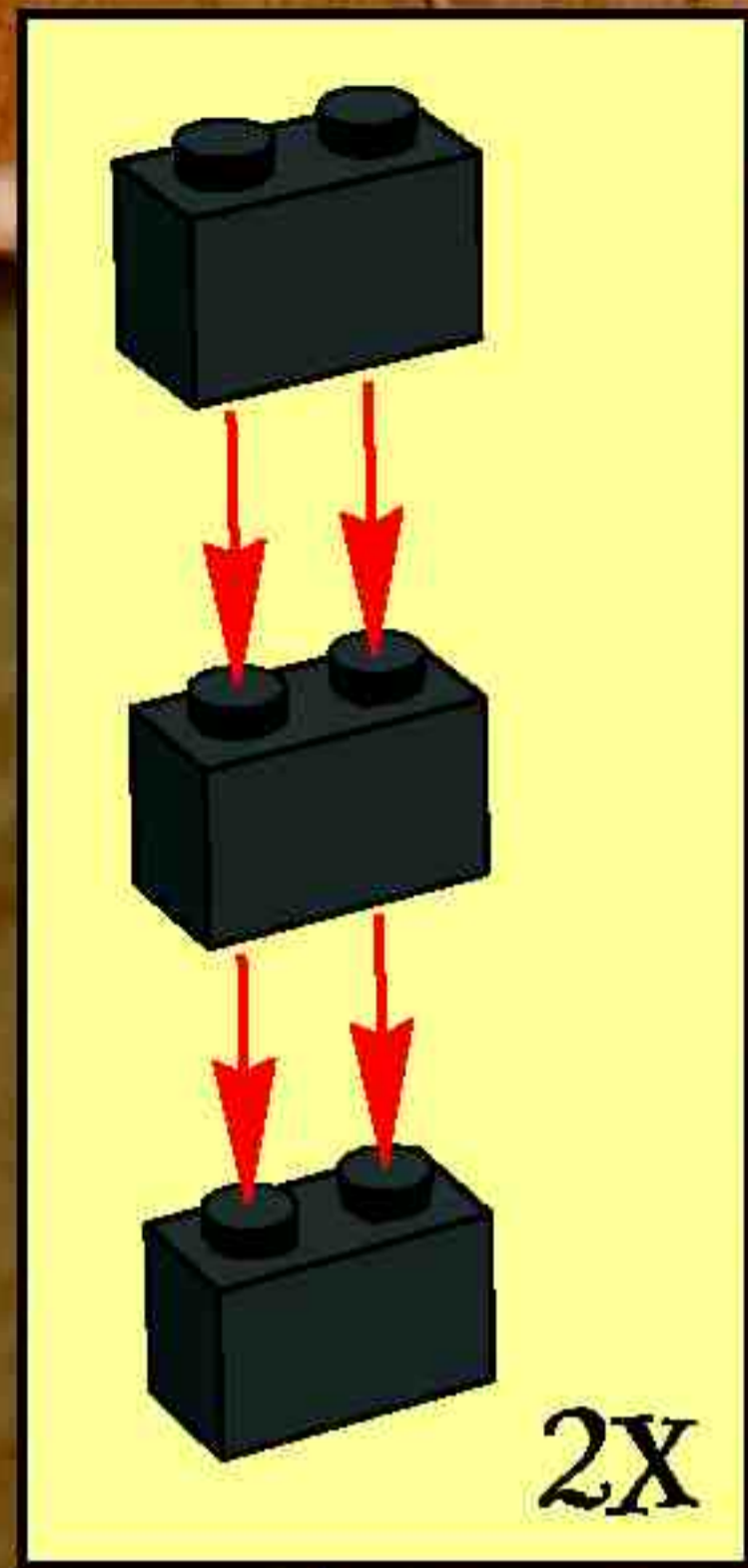


12

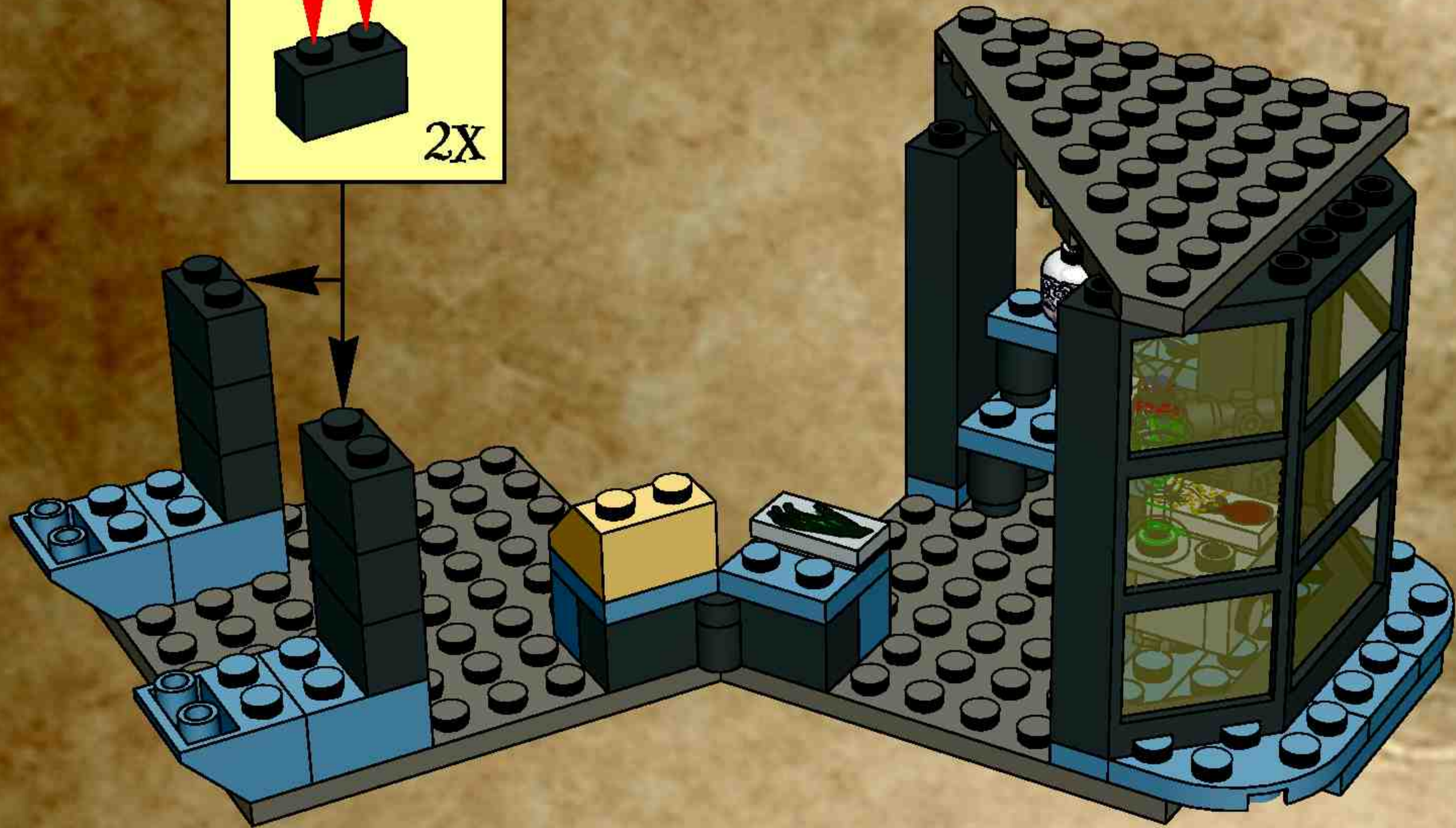


13

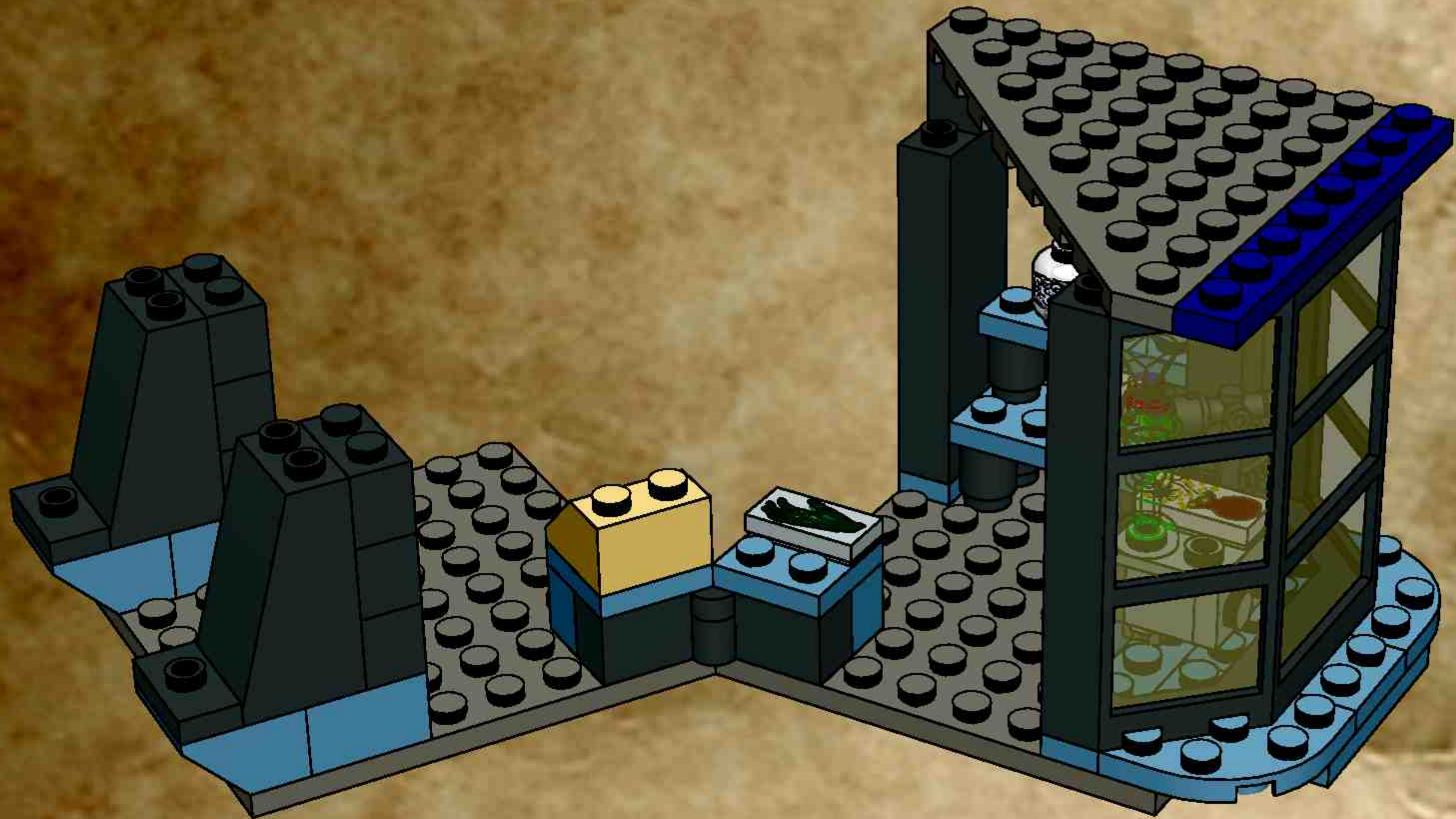




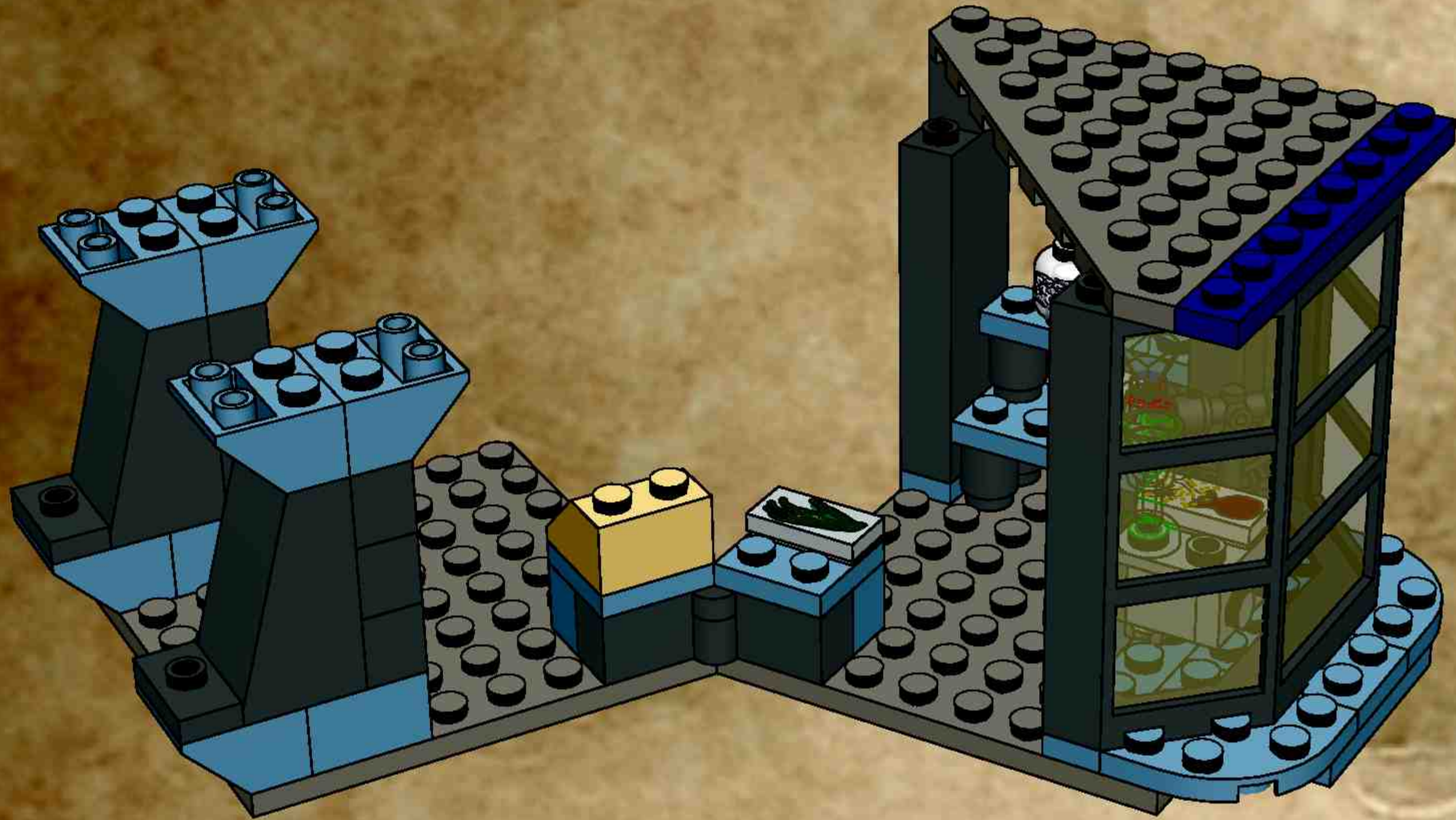
14



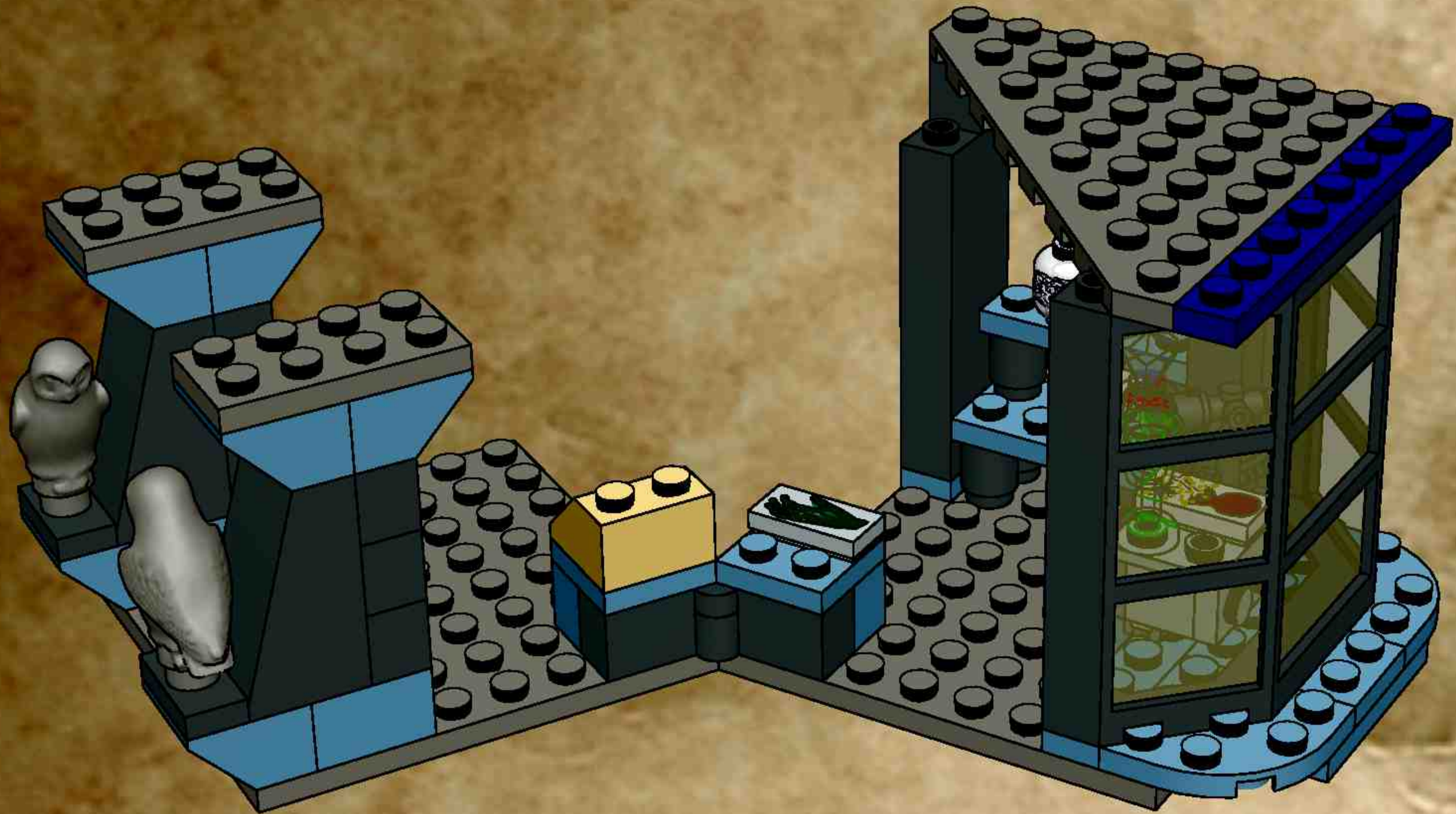
15



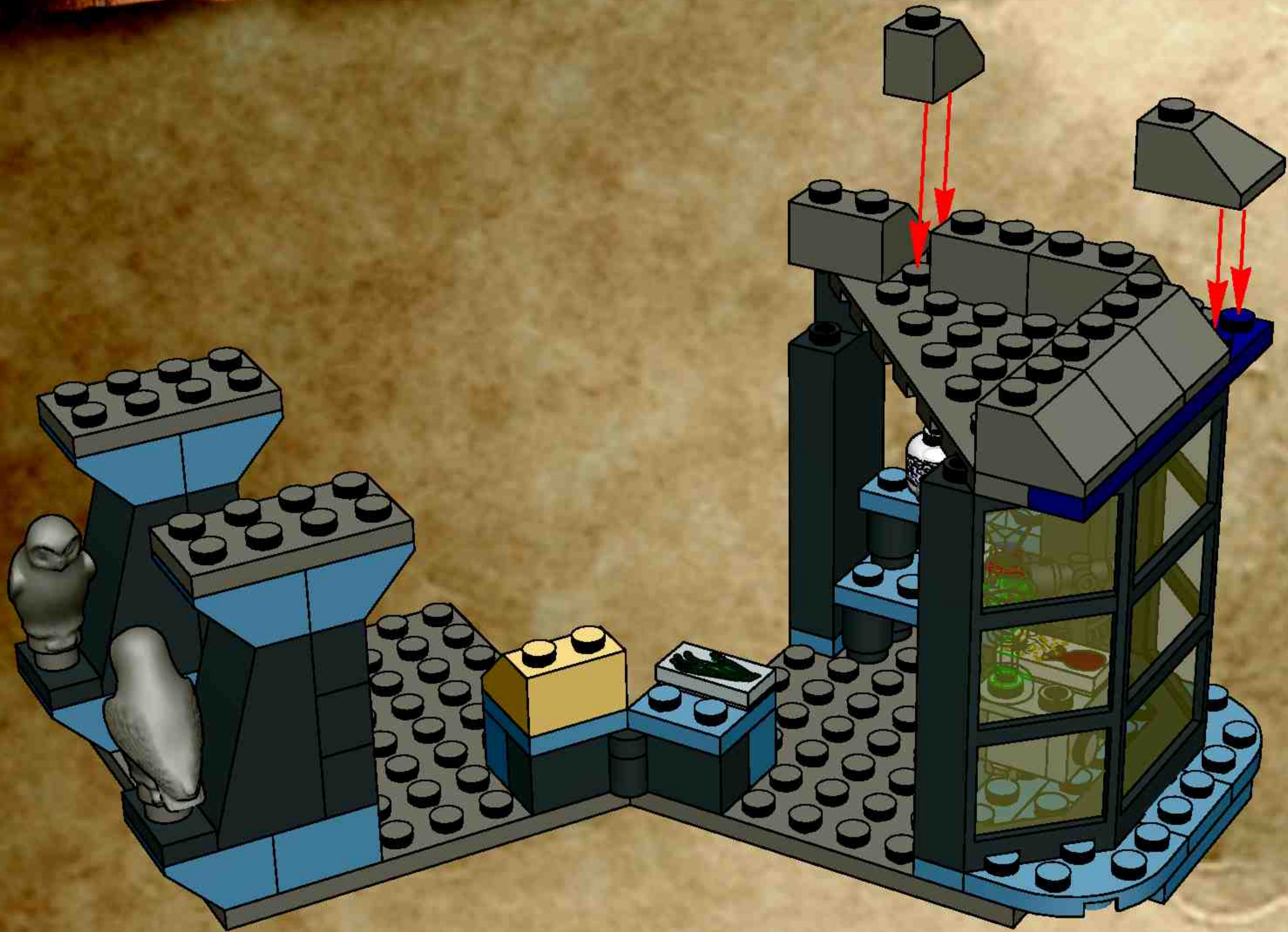
16



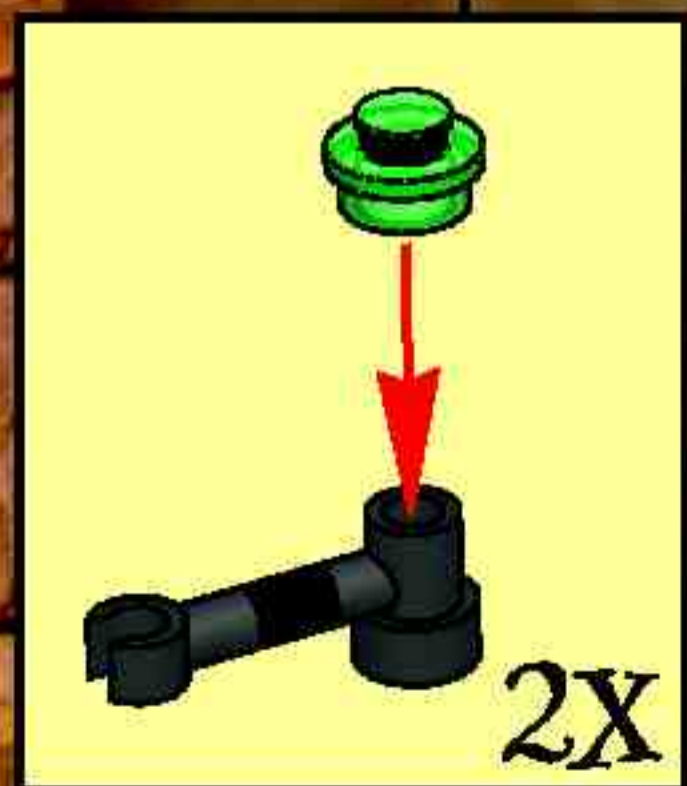
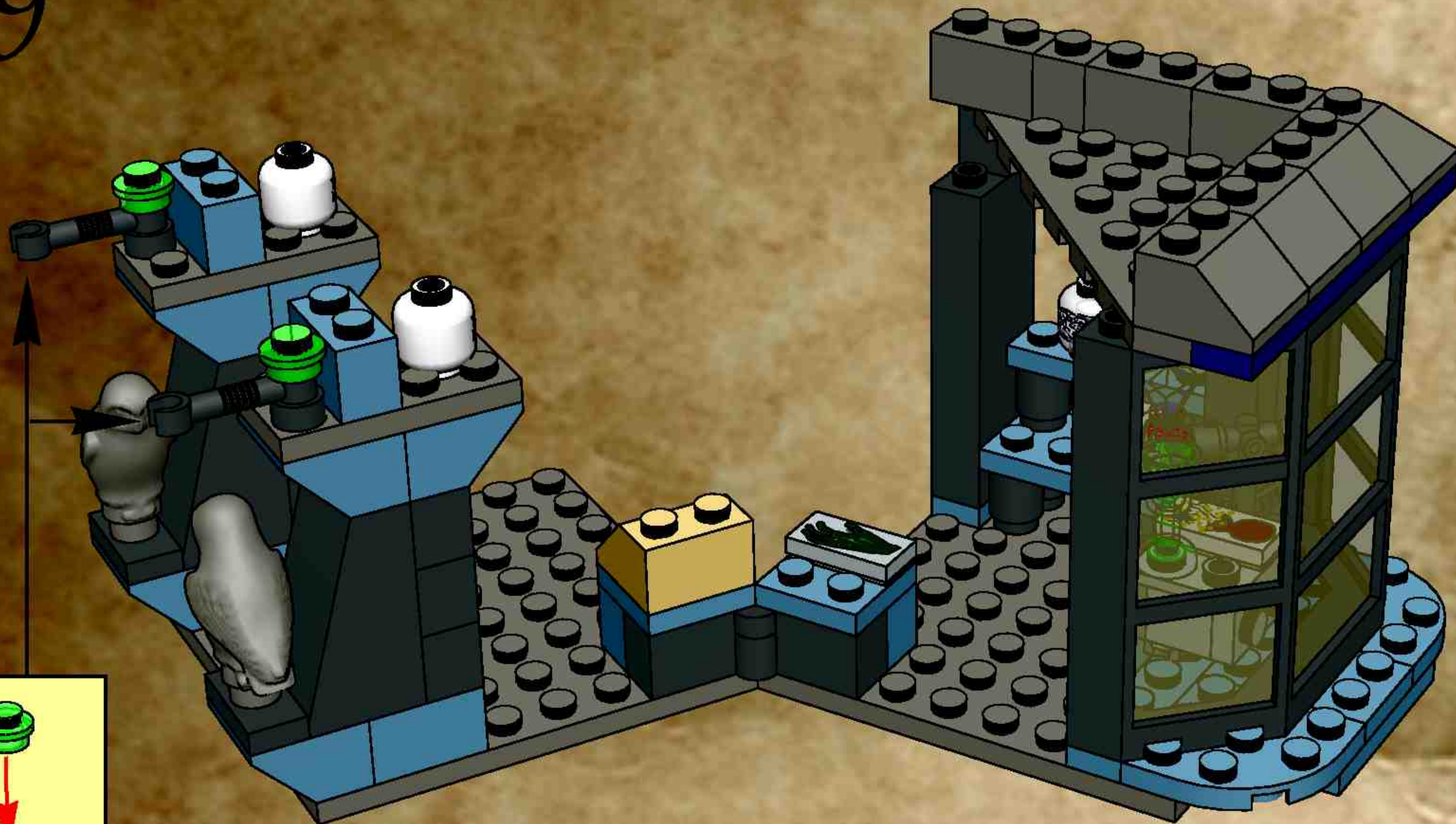
17



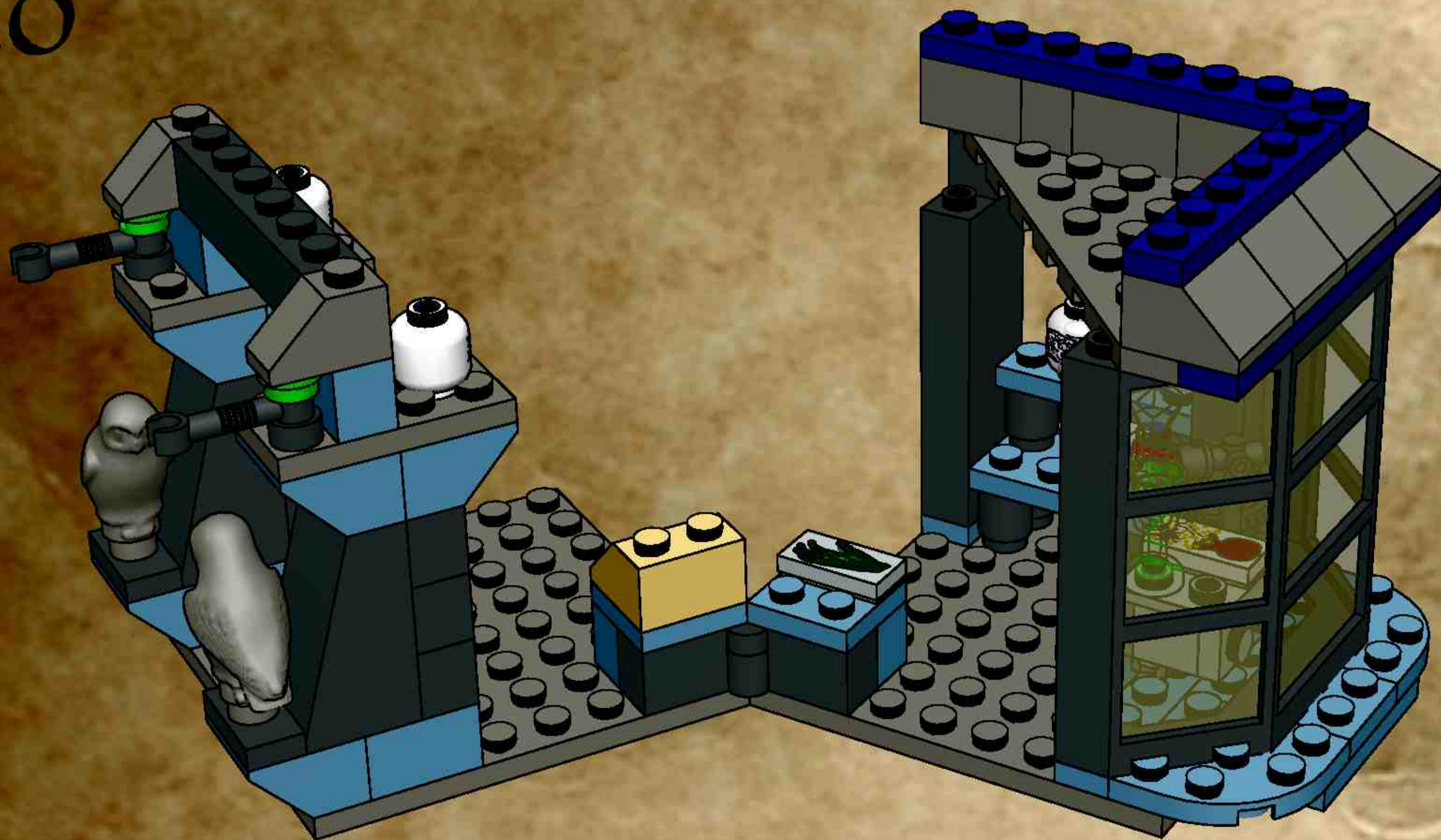
18



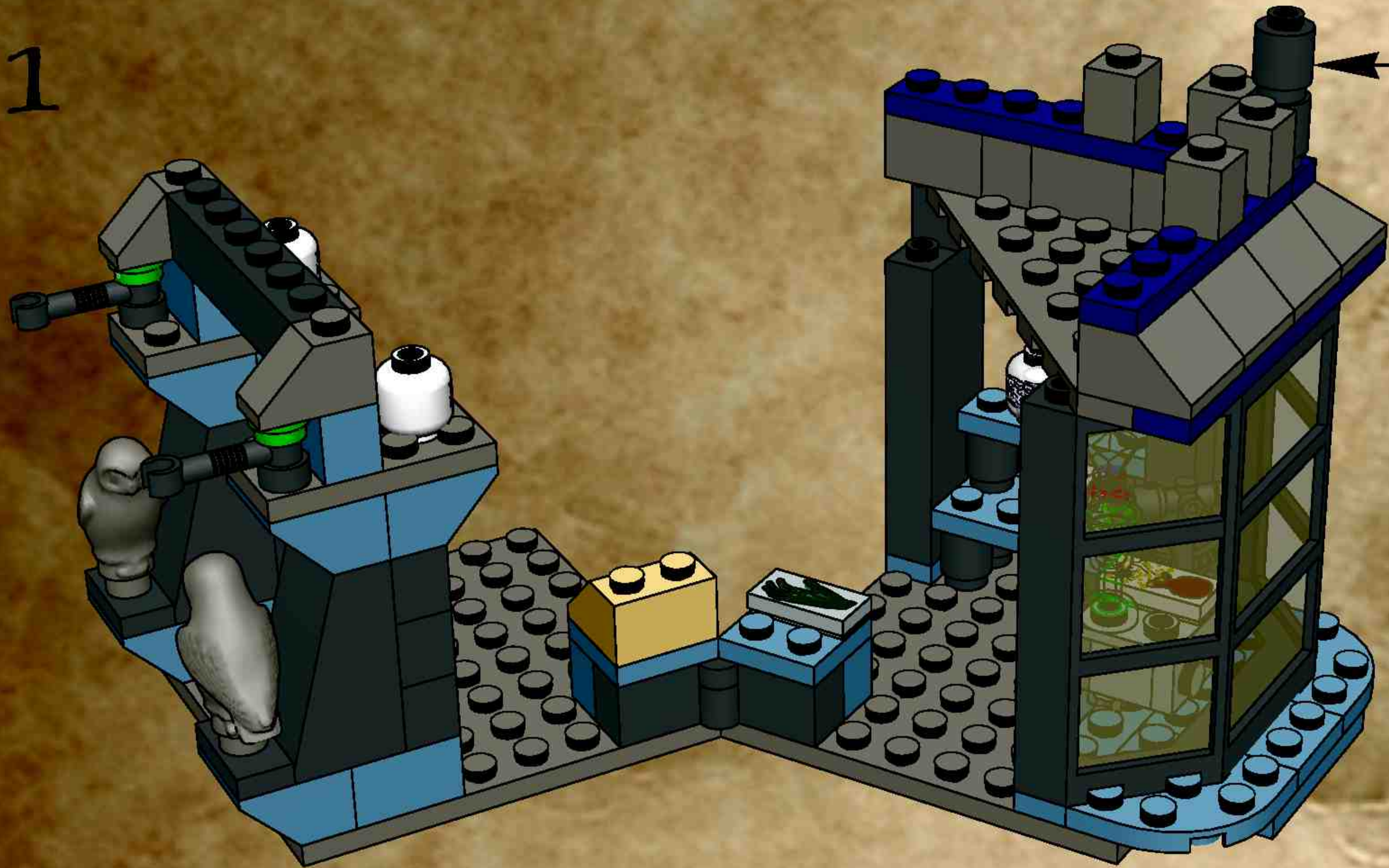
19



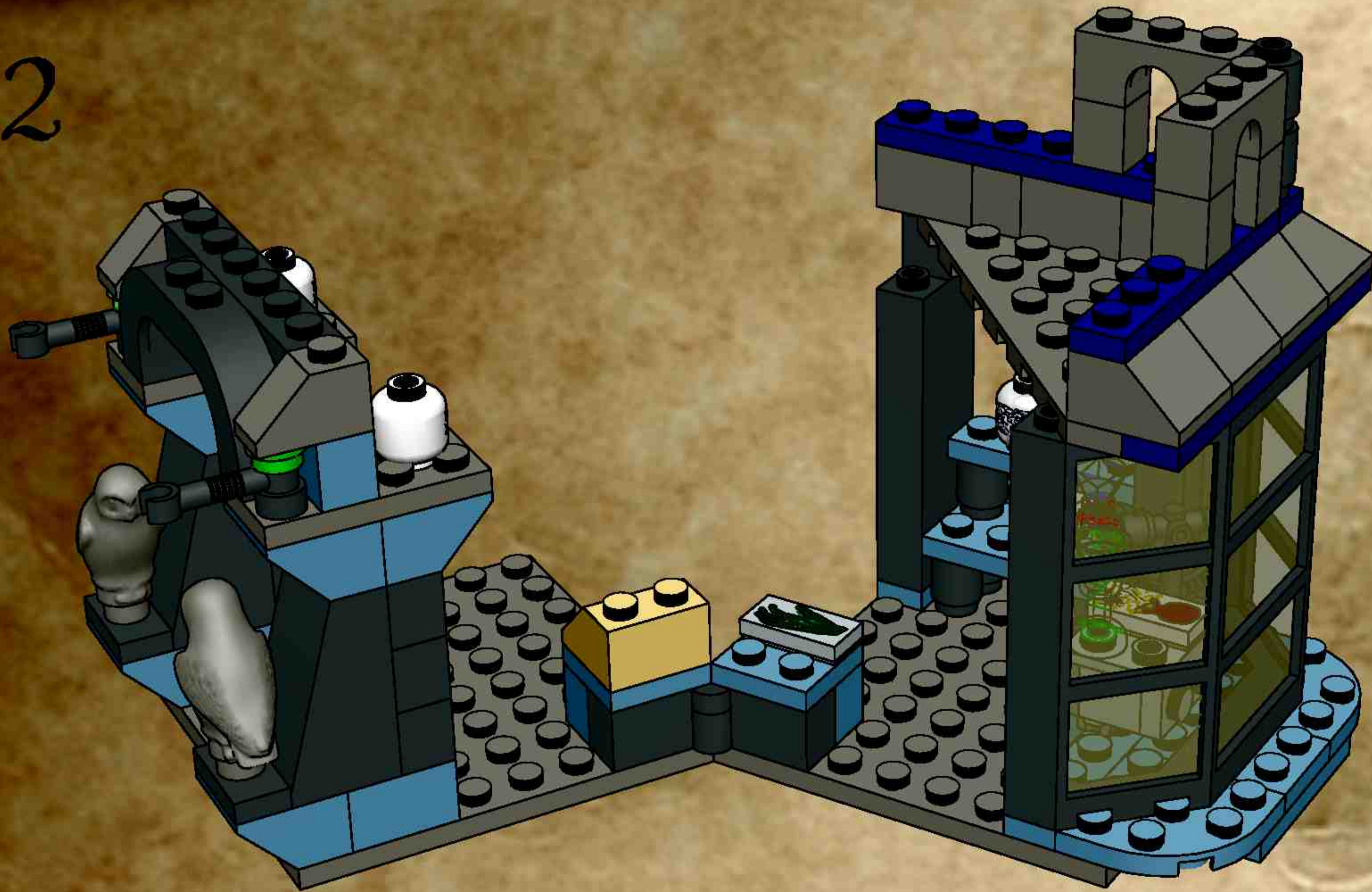
20



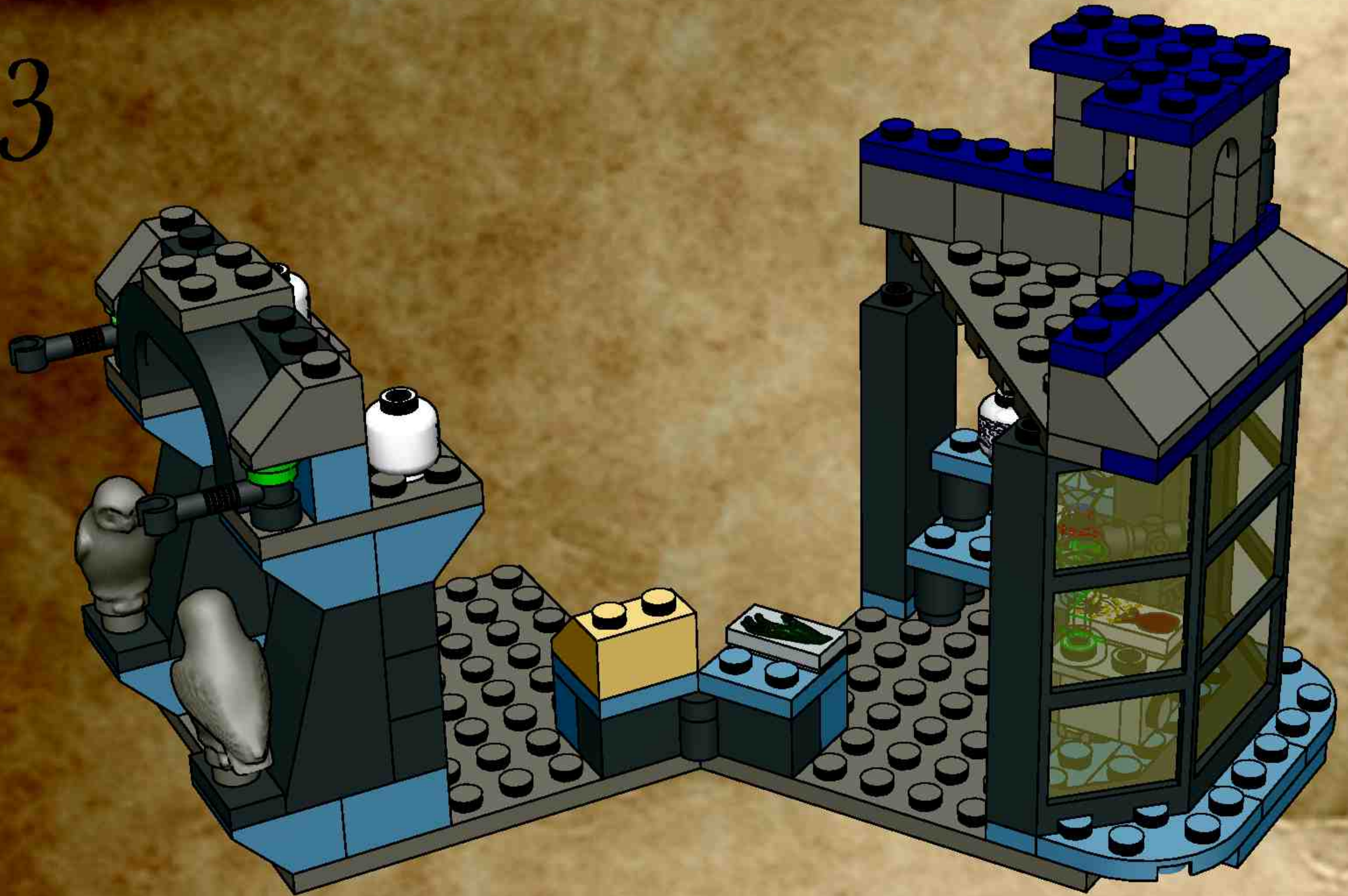
21



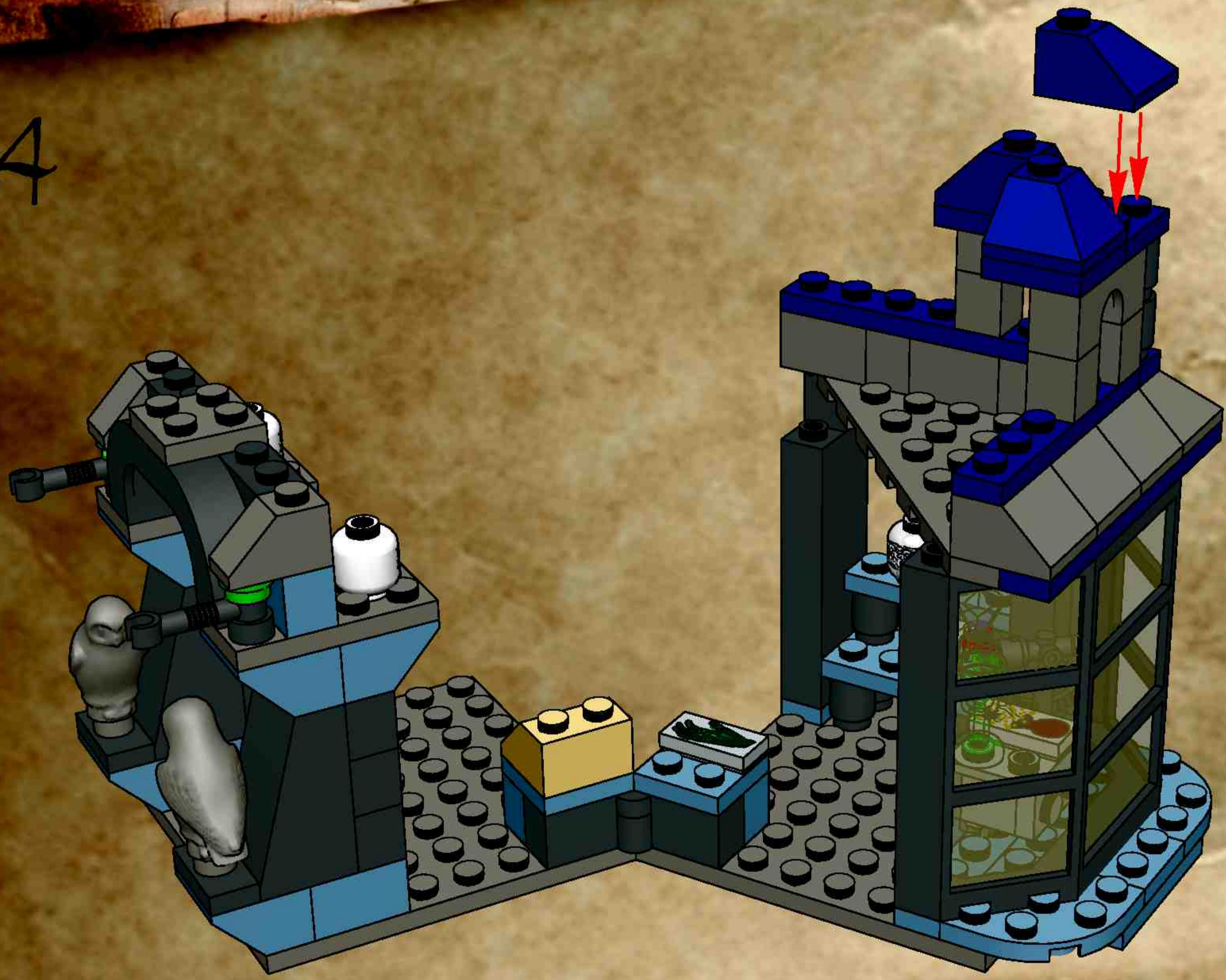
22



23



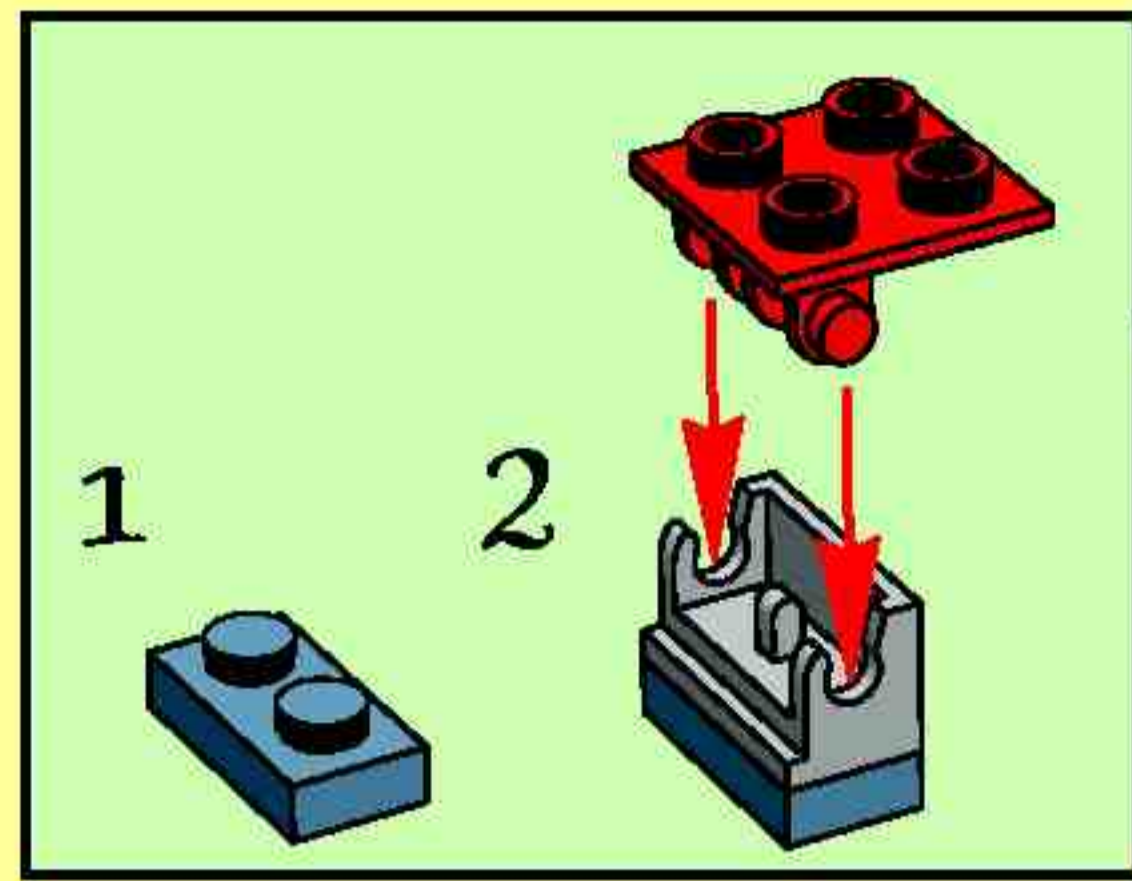
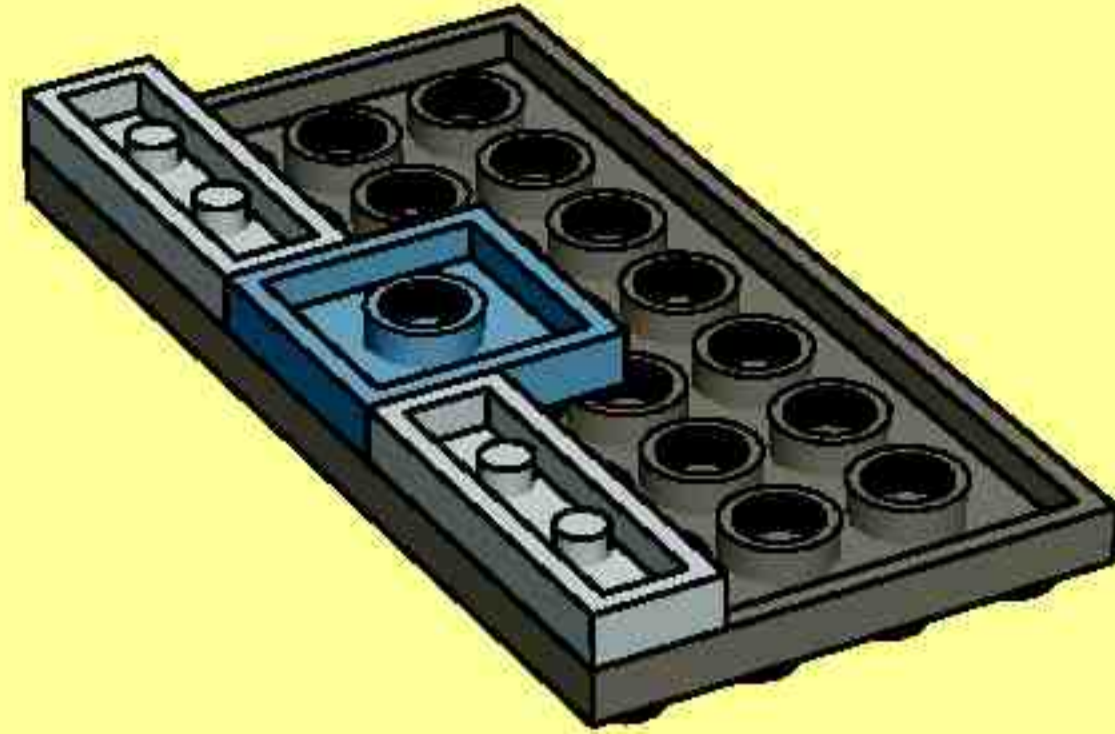
24



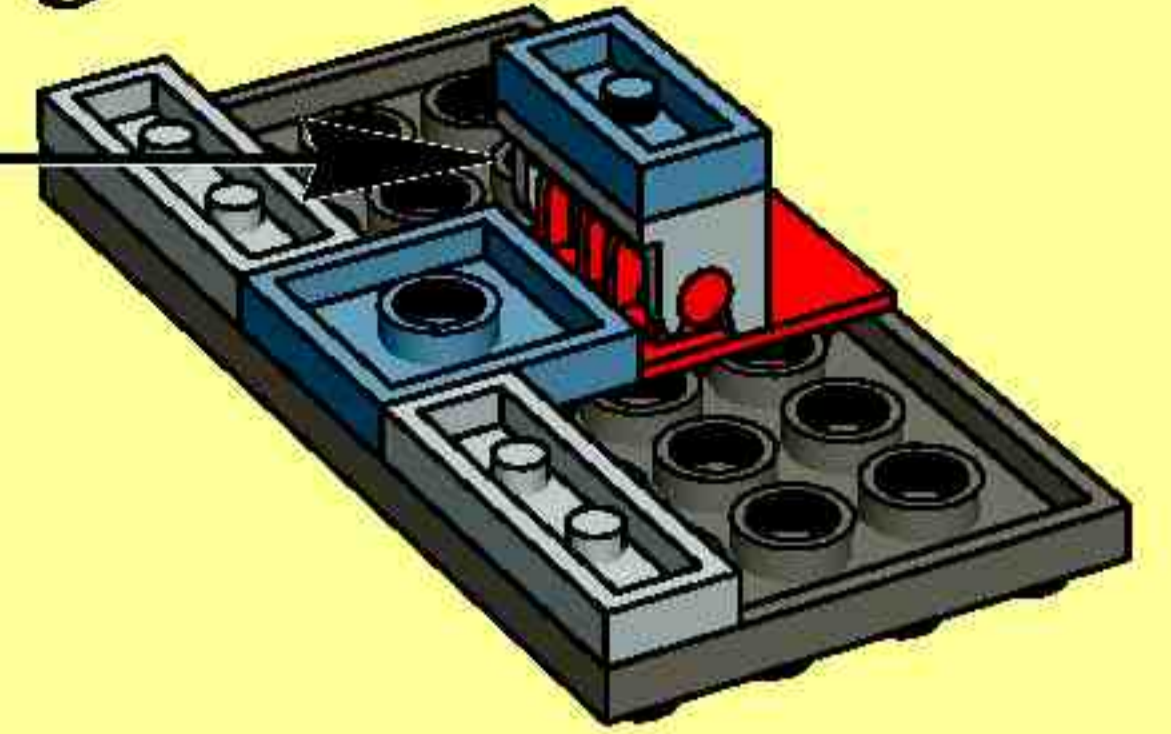
1



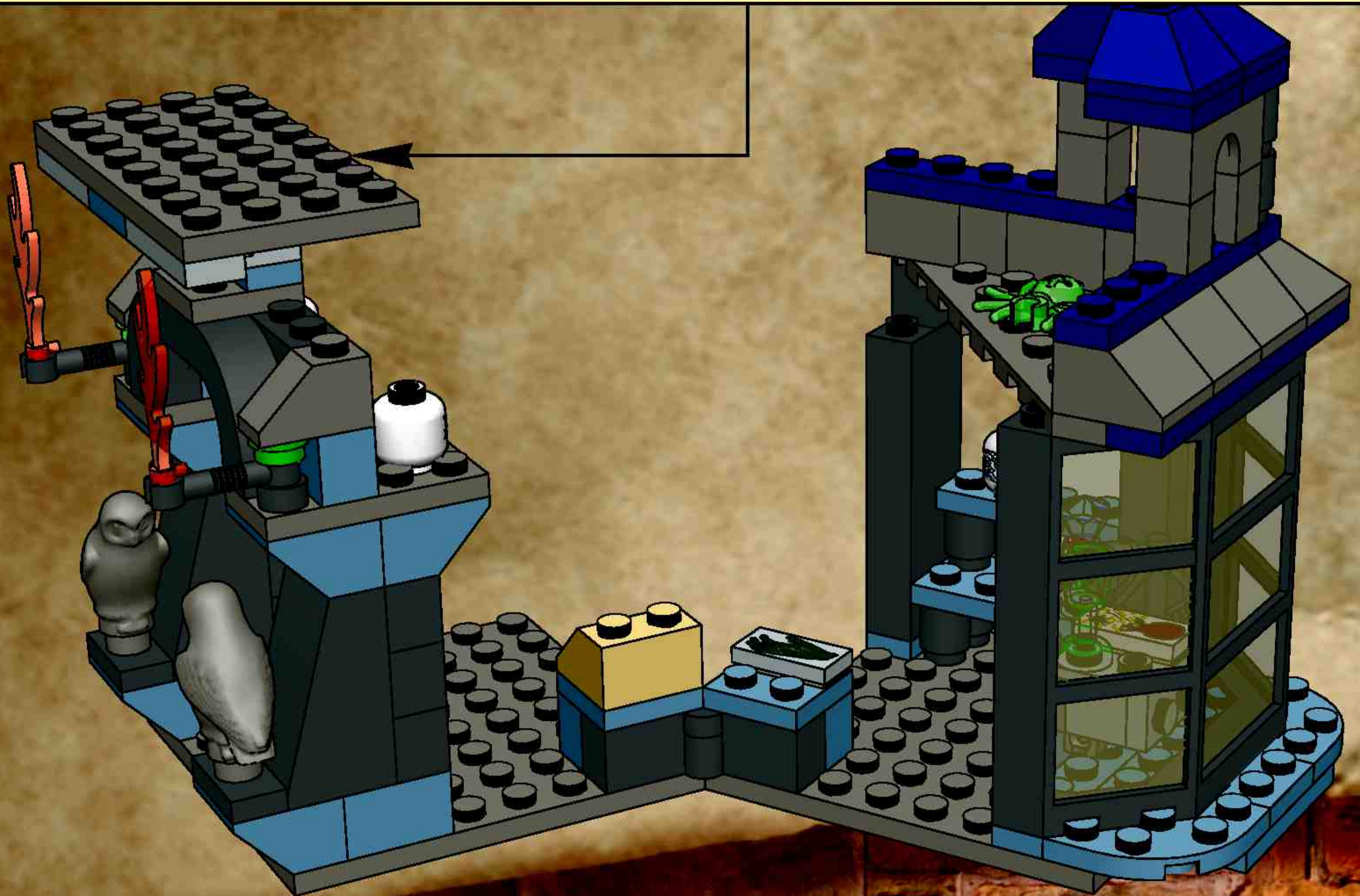
2



3

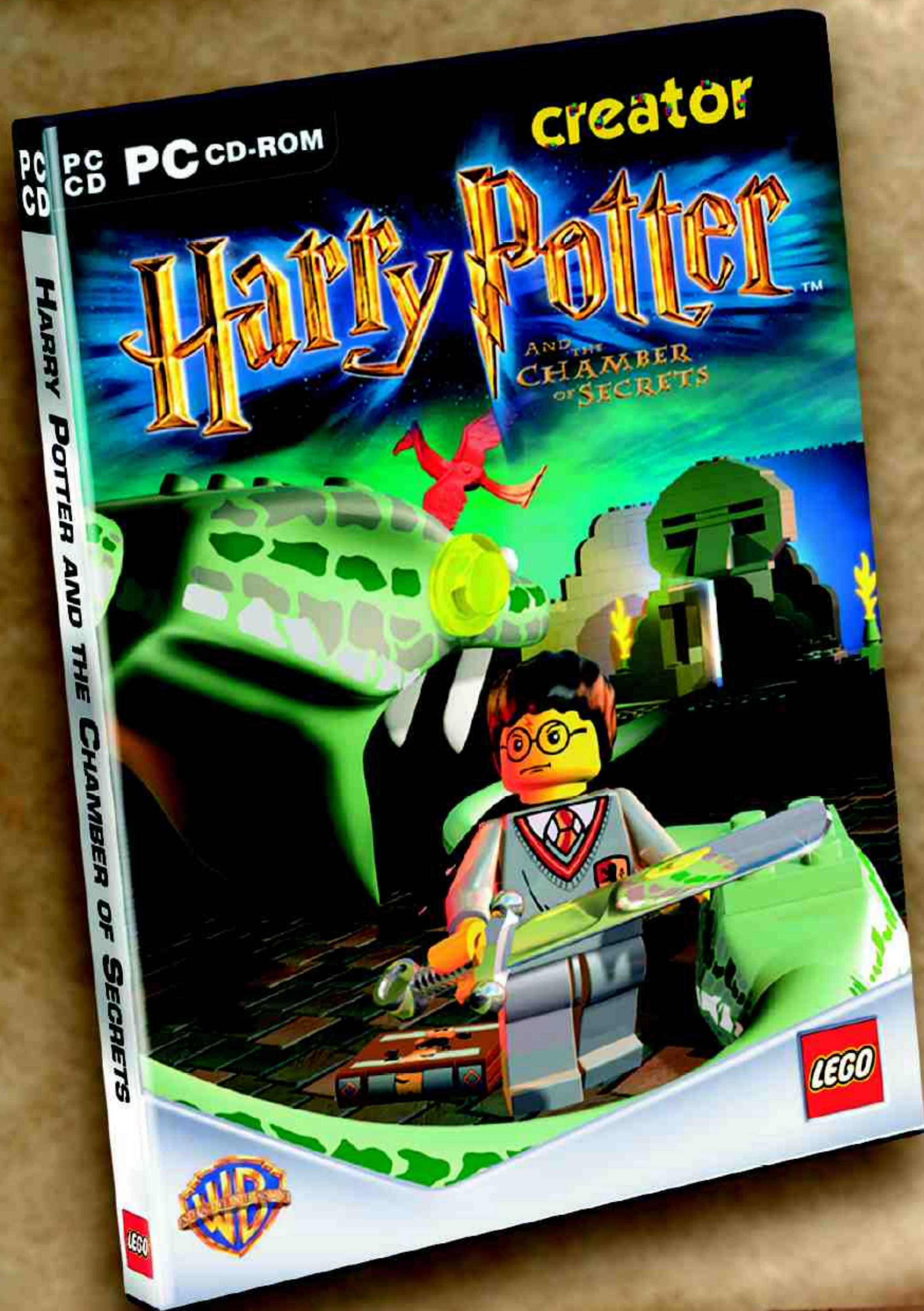


25



26







LEGO, and the LEGO logo are trademarks of the LEGO Group.
©2003 The LEGO Group.

HARRY POTTER, characters, names and related indicia are trademarks of and © Warner Bros.

WB SHIELD: TM & © Warner Bros.

Harry Potter Publishing Rights © JKR.
(s03)

www.harrypotter.com

www.LEGO.com

4201536