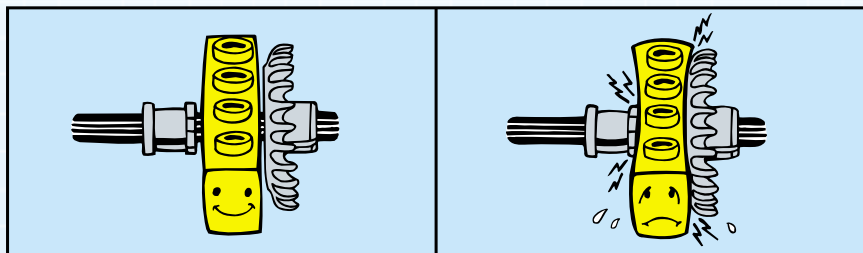
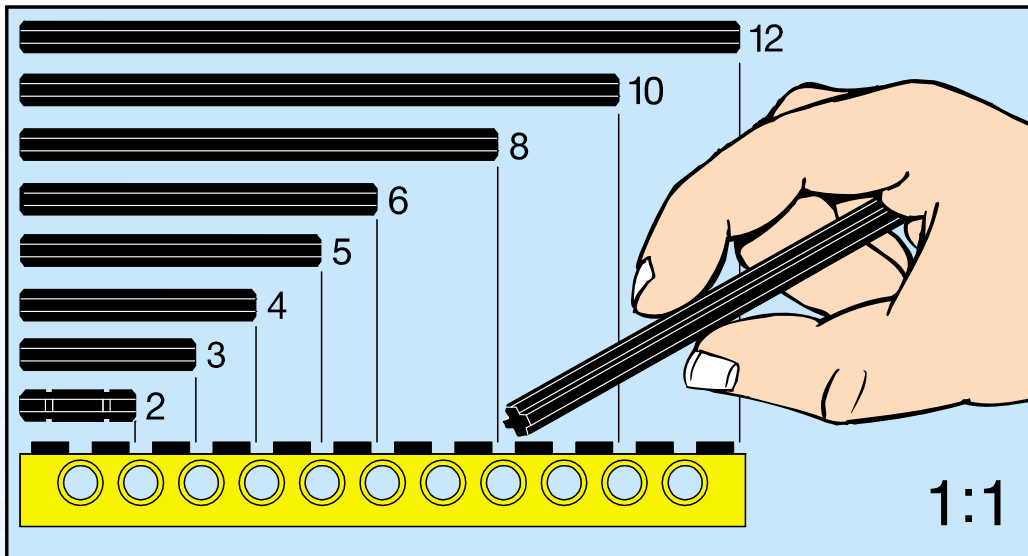


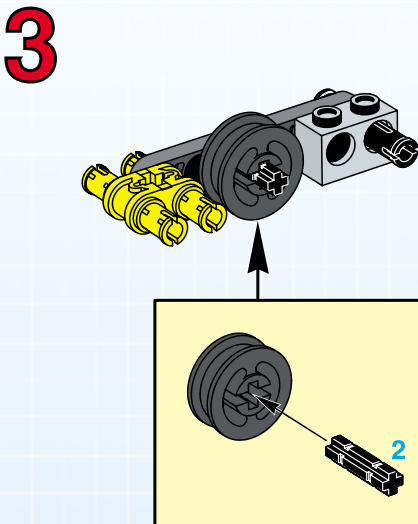
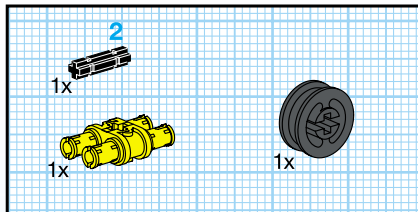
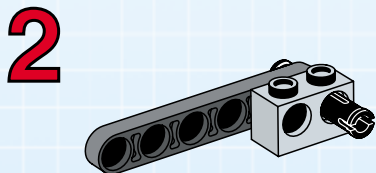
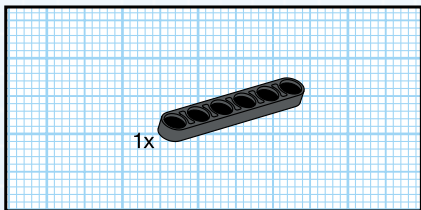
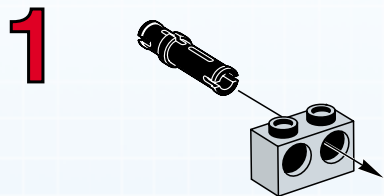
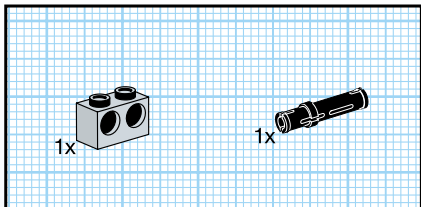


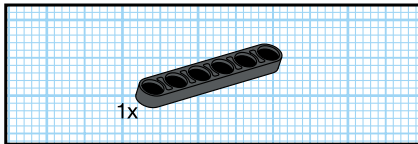
Technic

8246

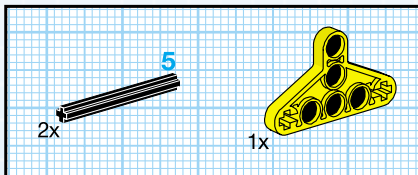
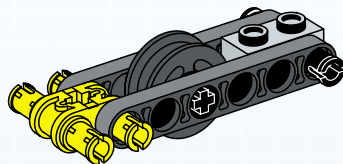




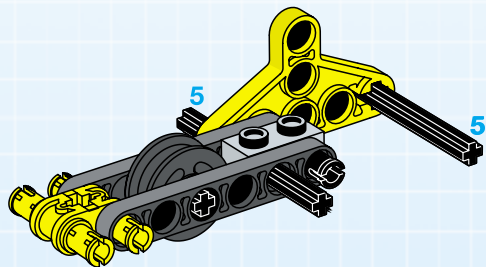


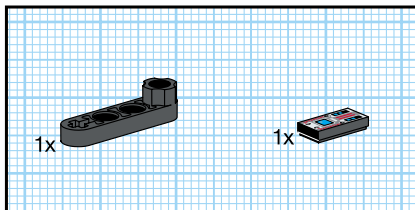


4

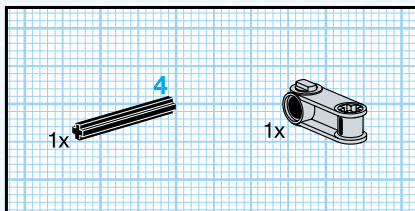
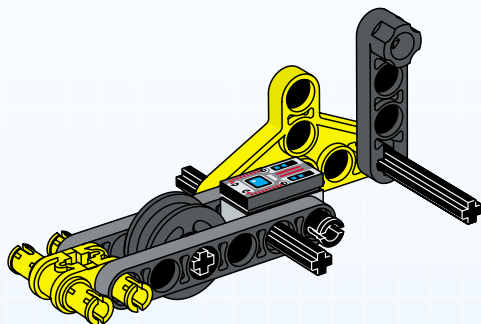


5

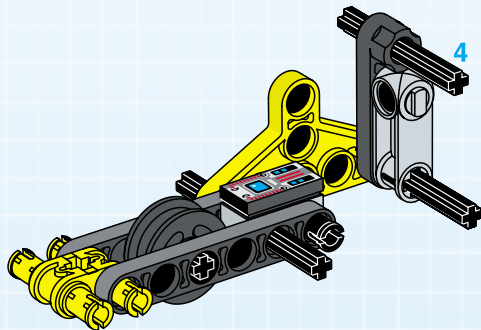


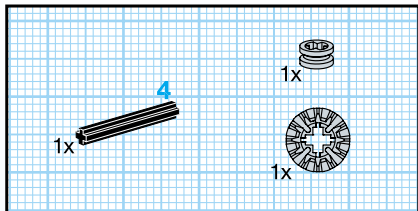


6

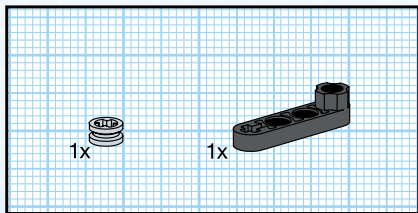
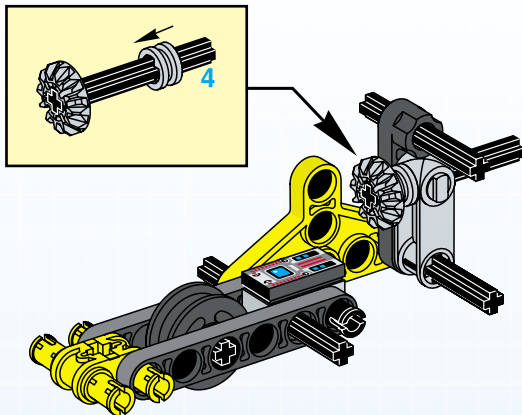


7

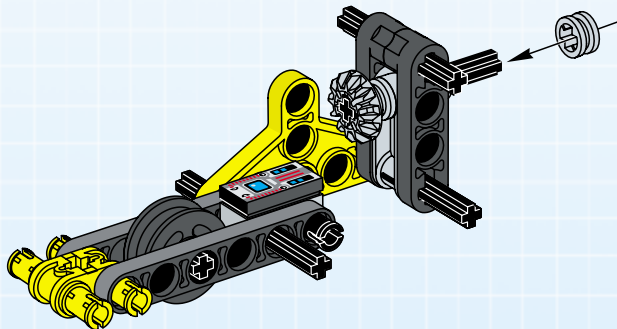


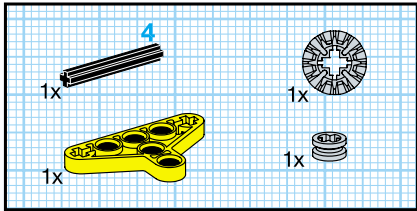


8

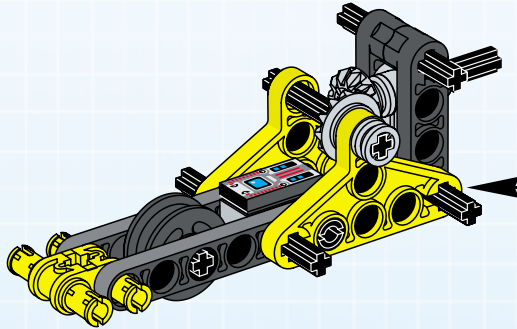
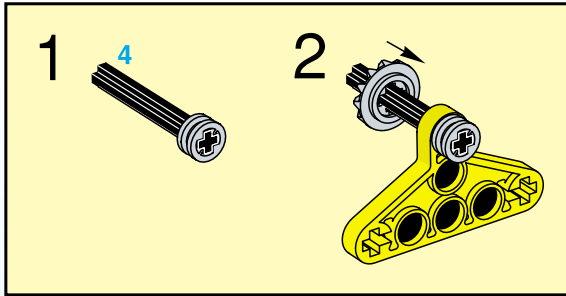


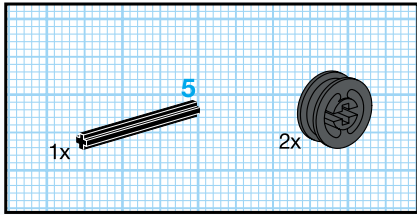
9



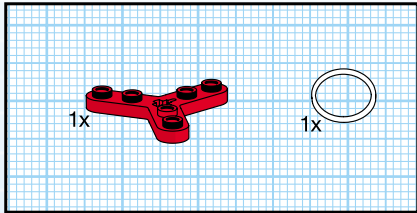
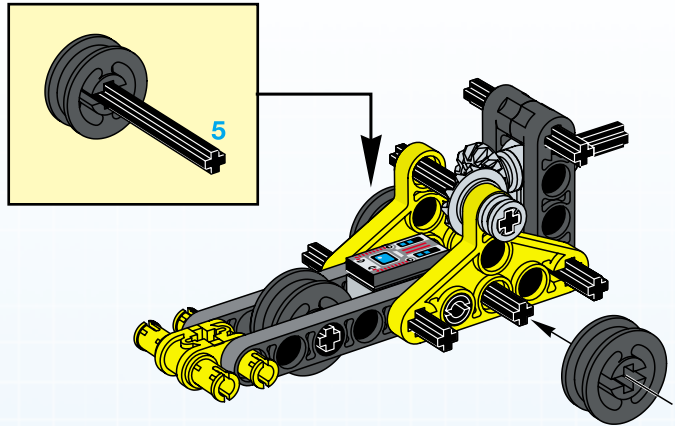


10

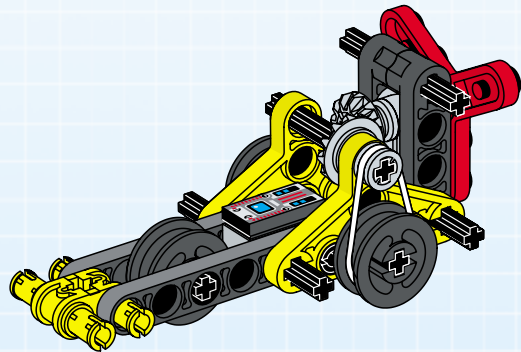


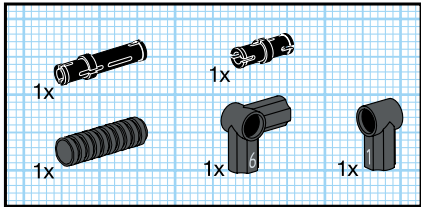


11

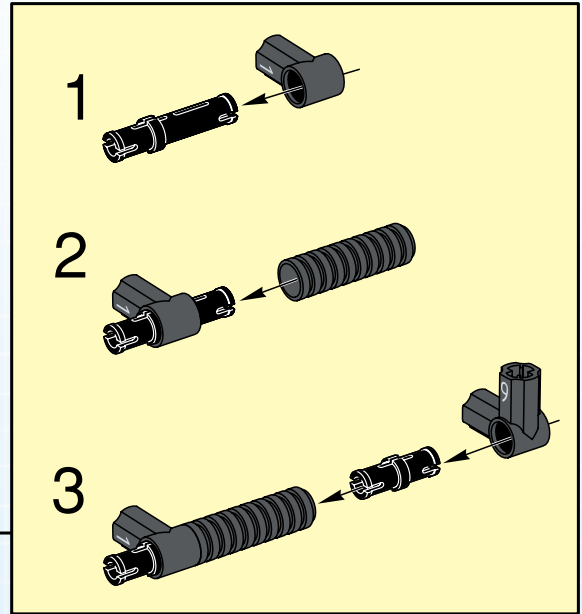
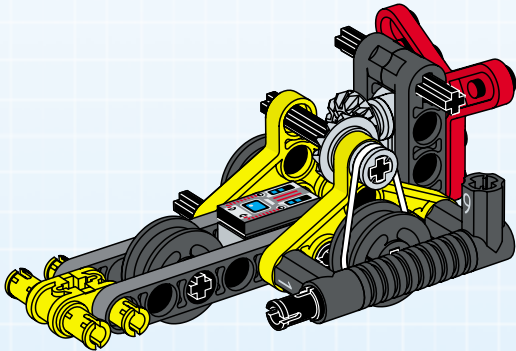


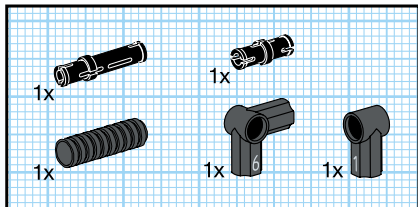
12



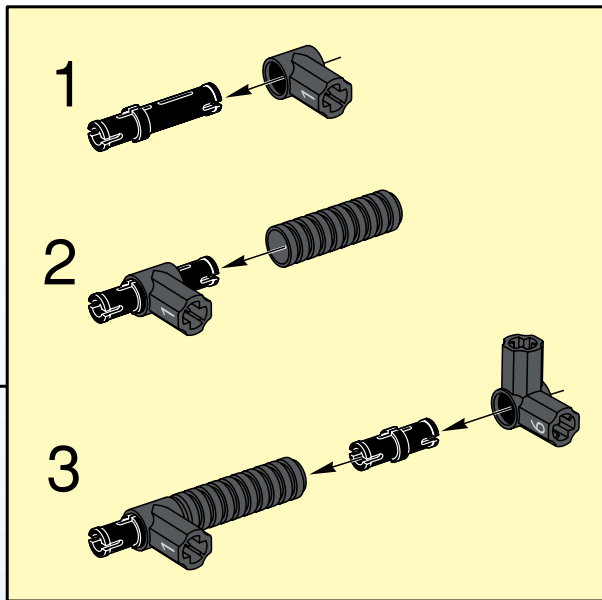
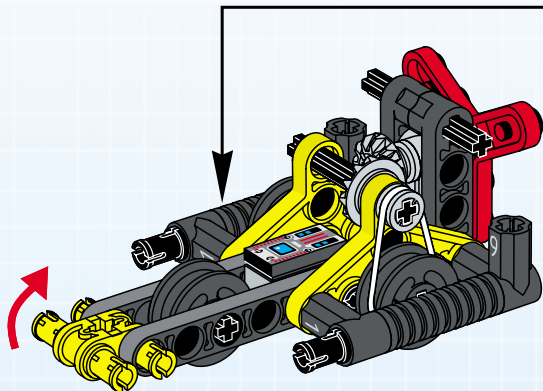


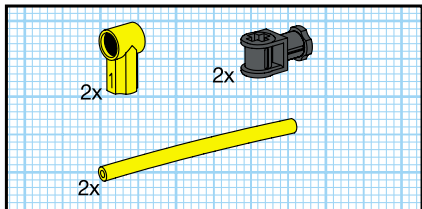
13



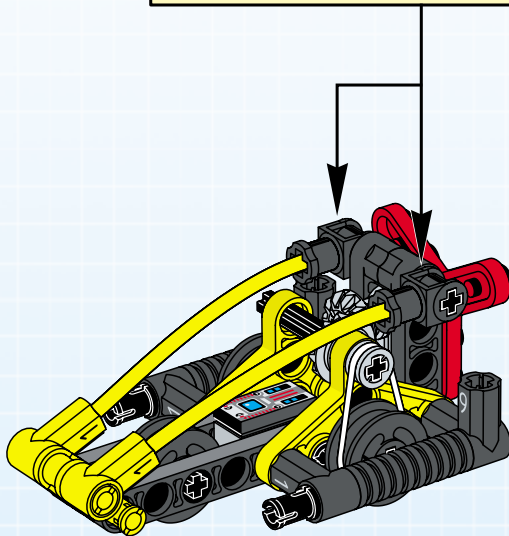
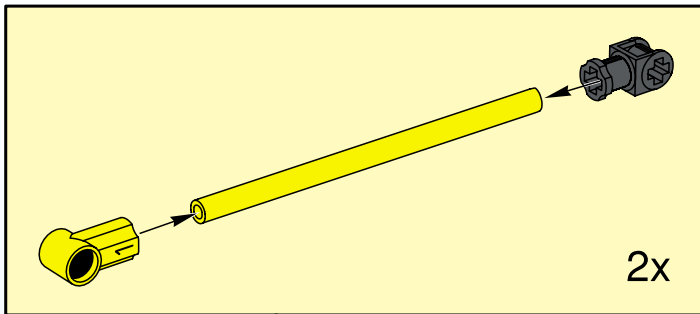


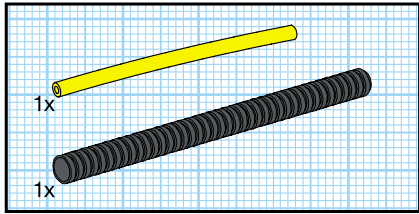
14





15





16

