

**LEGO MINDSTORMS™**

**EXTREME  
CREATURES™**

CONSTRUCTION A

9732











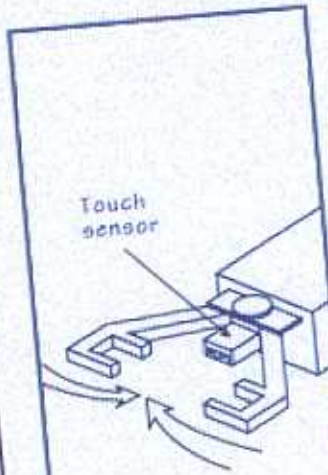
This Constructopedia™ is a building guide for Extreme Creatures™ that offers suggestions, hints, and tips to get you started on the Extreme Creatures™ CD-ROM Challenges and Creatures of your own design.

To master a Challenge, you must follow three basic steps:

1. Construct – To start, review the Design Brief. Then gather the pieces you need to meet the Challenge and start building.
2. Program – Once your robot is built, you can program it using the simple, but powerful, programming language included on the CD-ROM. Your program will determine how your creature reacts to its environment.
3. Test – Now it's time to test your program and design. Once you have downloaded your program from your PC to your RCX™ using the infrared transmitter, your robot can run independent of your computer. Now let it loose and watch what happens!

#### DESIGN BRIEF

## Skorpion



- Needs 1 motor for both claws
- Has a touch sensor to trigger claw motor
- Needs a 2nd motor for the stinging tail
- Has a 2nd touch sensor to trigger tail motor



Design

Pro



# CONTENTS

	PAGE
<b>PROJECT IDEAS</b>	<b>4</b>
<b>CREATURE MOVER 1</b>	<b>6</b>
<b>CREATURE MOVER 2</b>	<b>9</b>
<b>CREATURE MOVER 3</b>	<b>12</b>
<b>PINCER</b>	<b>16</b>
<b>CLAW</b>	<b>18</b>
<b>WAGGER</b>	<b>21</b>
<b>SPECIAL FEATURES</b>	
<b>Movement</b>	<b>24</b>
<b>Sensors</b>	<b>26</b>
<b>Attachments</b>	<b>27</b>
<b>Grabber Attachments</b>	<b>28</b>
<b>Tails</b>	<b>29</b>
<b>TIPS &amp; TRICKS</b>	<b>30</b>
<b>TOP SECRET PLANS</b>	<b>36</b>
<b>PARTS IDENTIFICATION</b>	<b>39</b>

© 1998 The LEGO Group.

©, ™, LEGO, MINDSTORMS, RCX, Constructopedia, Extreme Creatures and the LEGO and MINDSTORMS logos are trademarks of the LEGO Group.

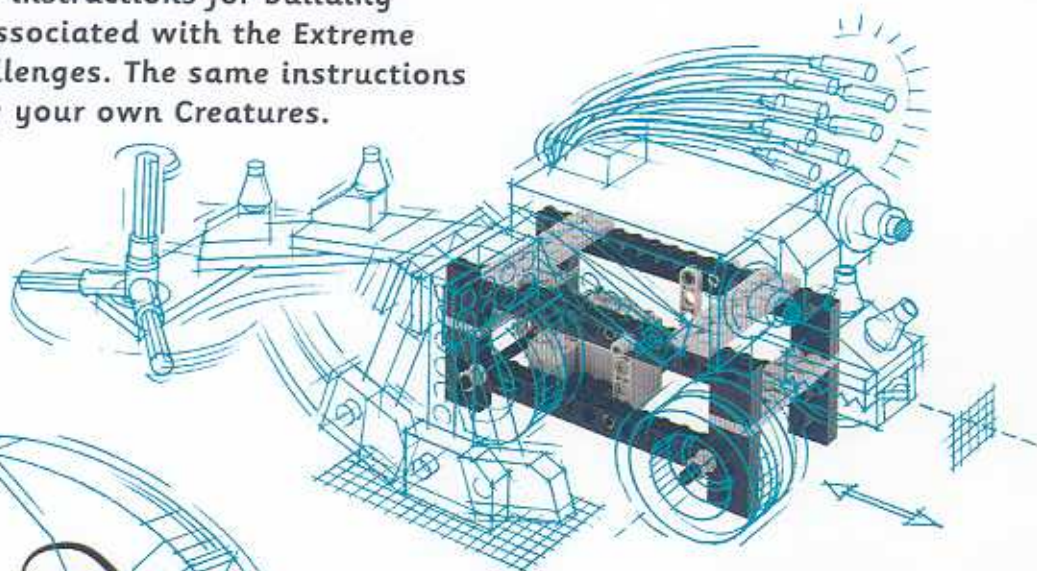
ISBN 1-57056-053-6

[www.legomindstorms.com](http://www.legomindstorms.com)



# Project Ideas

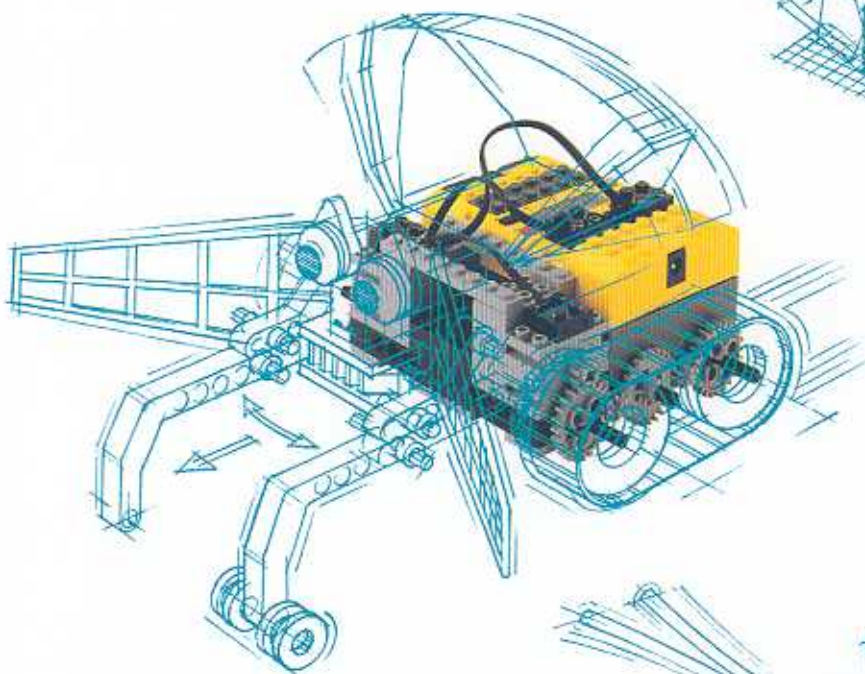
What follows are basic instructions for building the six subassemblies associated with the Extreme Creatures™ CD-ROM Challenges. The same instructions can be used for building your own Creatures.



## CREATURE MOVER 1

- Slowly moves back and forth.
- Requires one motor.

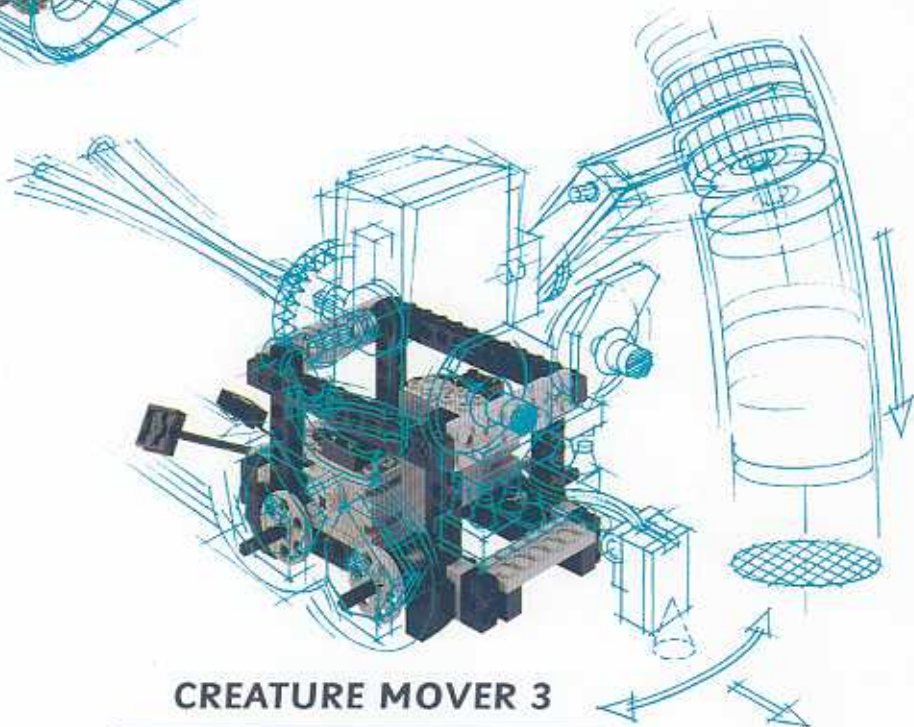
PAGE  
6



## CREATURE MOVER 2

- Uses gears to slowly turn left and right.
- Requires two motors.

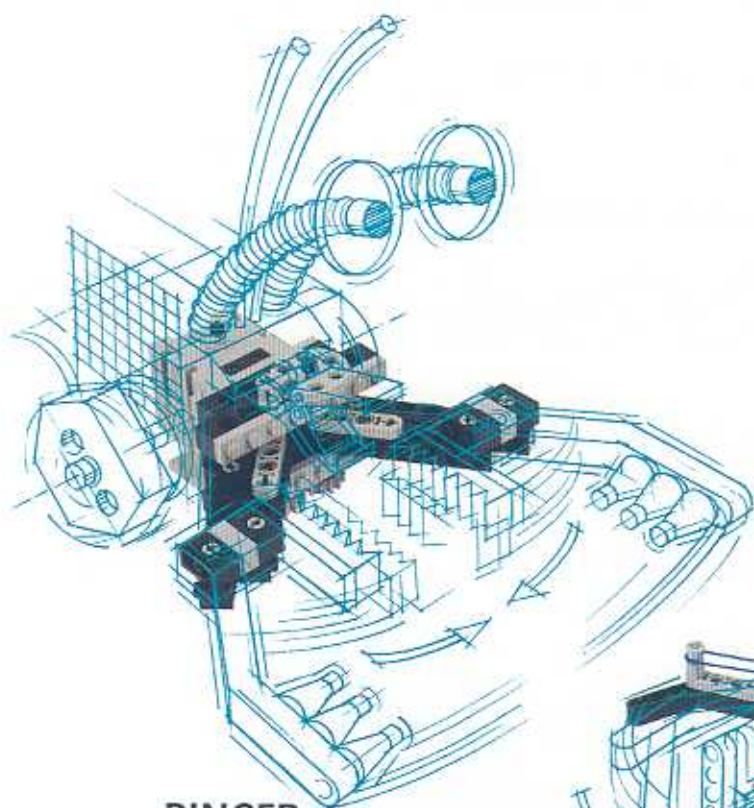
PAGE  
9



## CREATURE MOVER 3

- Uses pulleys to slowly turn left and right.
- Requires two motors.

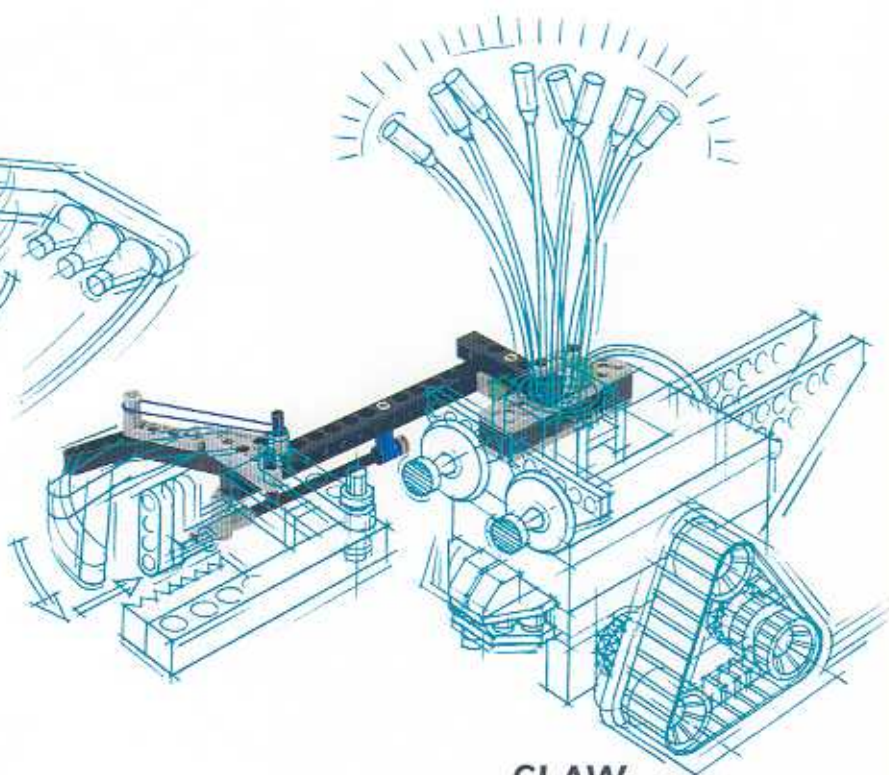
PAGE  
12



### PINCER

- Grabbing mechanism opens and closes.
- Requires one motor.

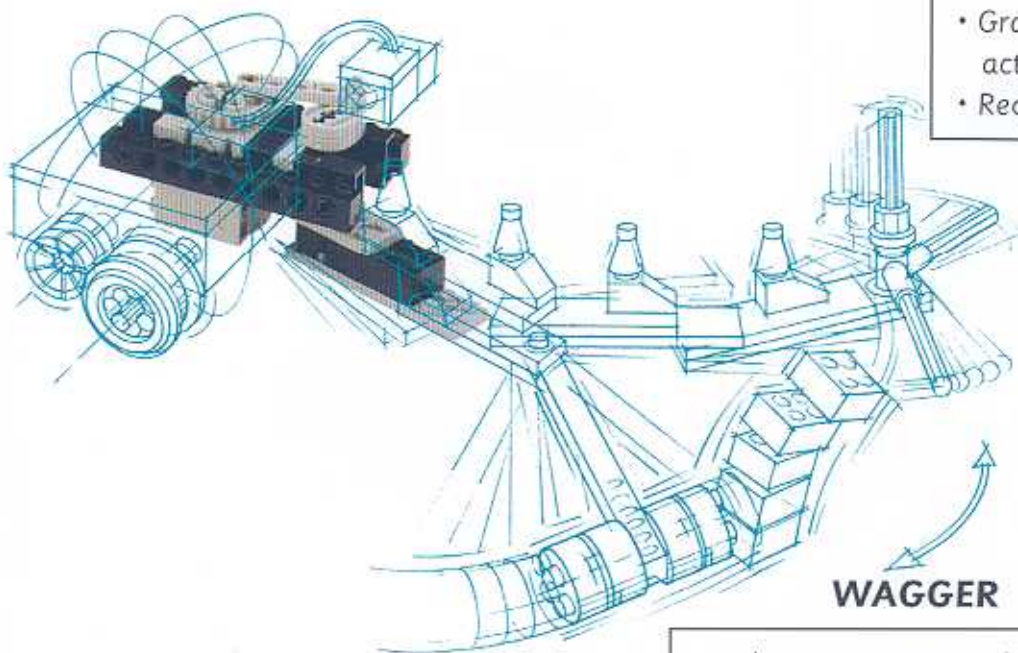
PAGE  
16



### CLAW

- Grabbing mechanism is activated by a trigger.
- Requires no motor.

PAGE  
18



### WAGGER

- Tail pieces move quickly from side to side.
- Requires one motor.

PAGE  
21

# Creature Mover 1

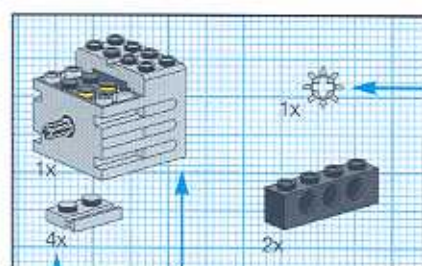
To get started on Creature Mover 1, follow these 5 steps.

## BEFORE YOU GET STARTED...

Make sure there are batteries in your RCX. For help installing batteries, turn to page 35.

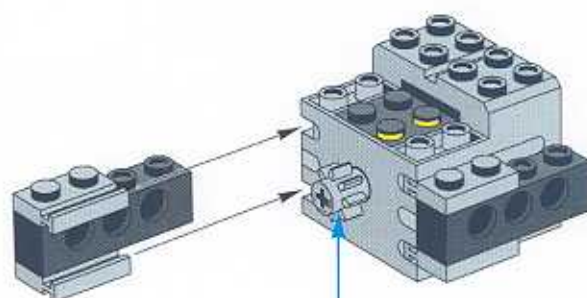
# 1

For this step, you need:



4x means you need 4 of these.  
Motor

8-tooth gear



Put the 8-tooth gear onto the motor.

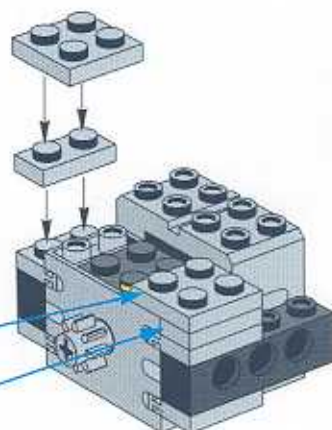
# 2

For this step, you need:



2x2 plate

1x2 plate

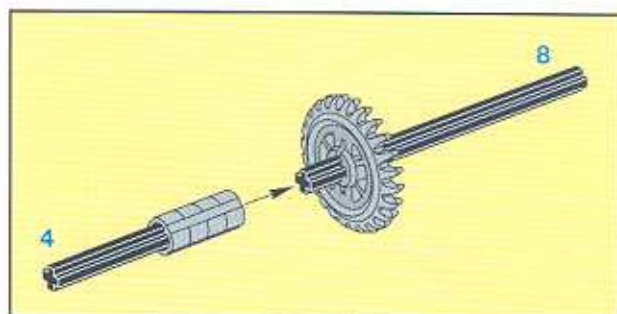
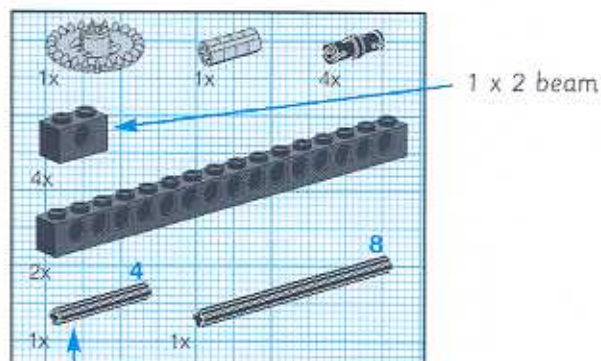


Put the 2x2 plate here.

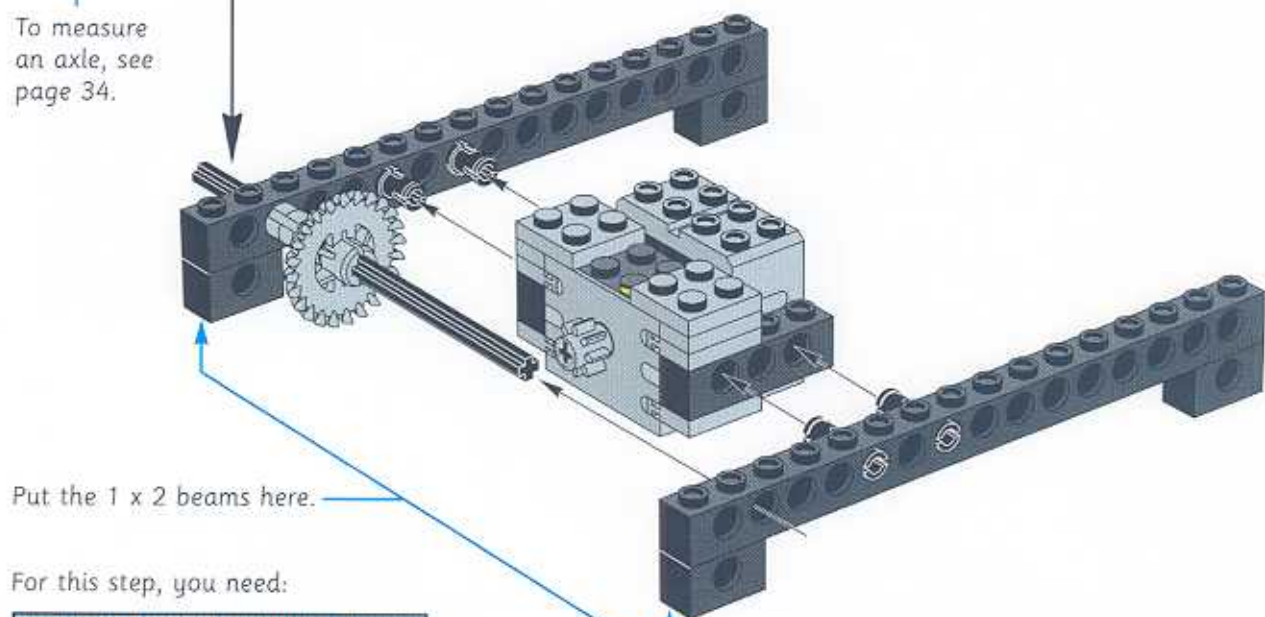
Put the 1x2 plate here.

**3**

For this step, you need:



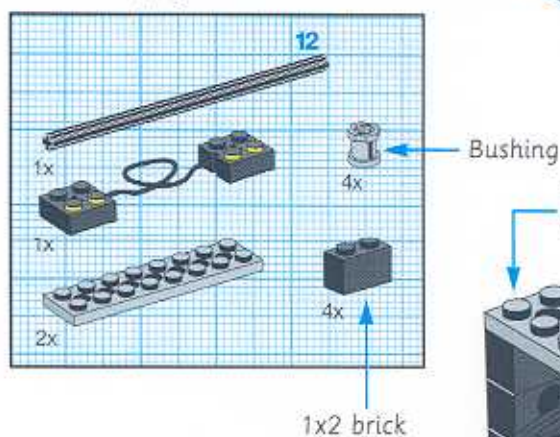
To measure an axle, see page 34.



Put the 1 x 2 beams here.

**4**

For this step, you need:

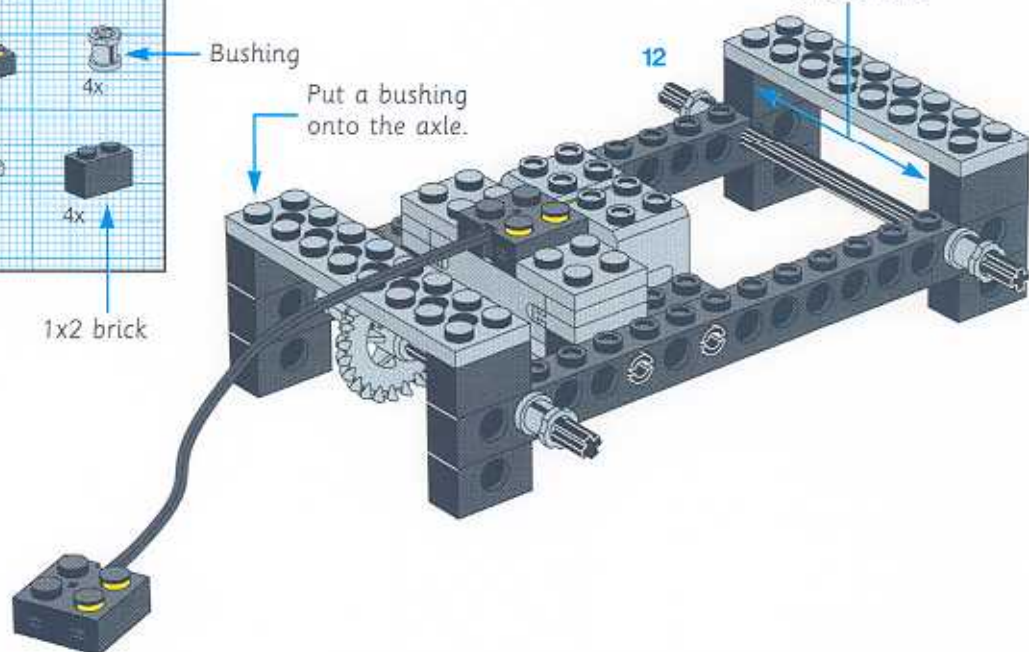


1x2 brick

Bushing

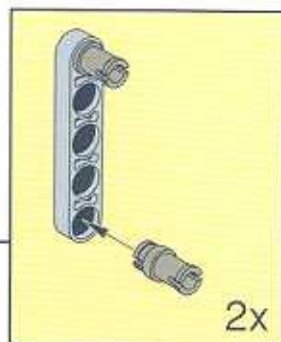
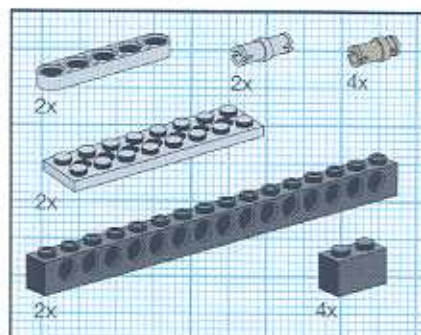
Put a bushing onto the axle.

Put the 1x2 bricks here.



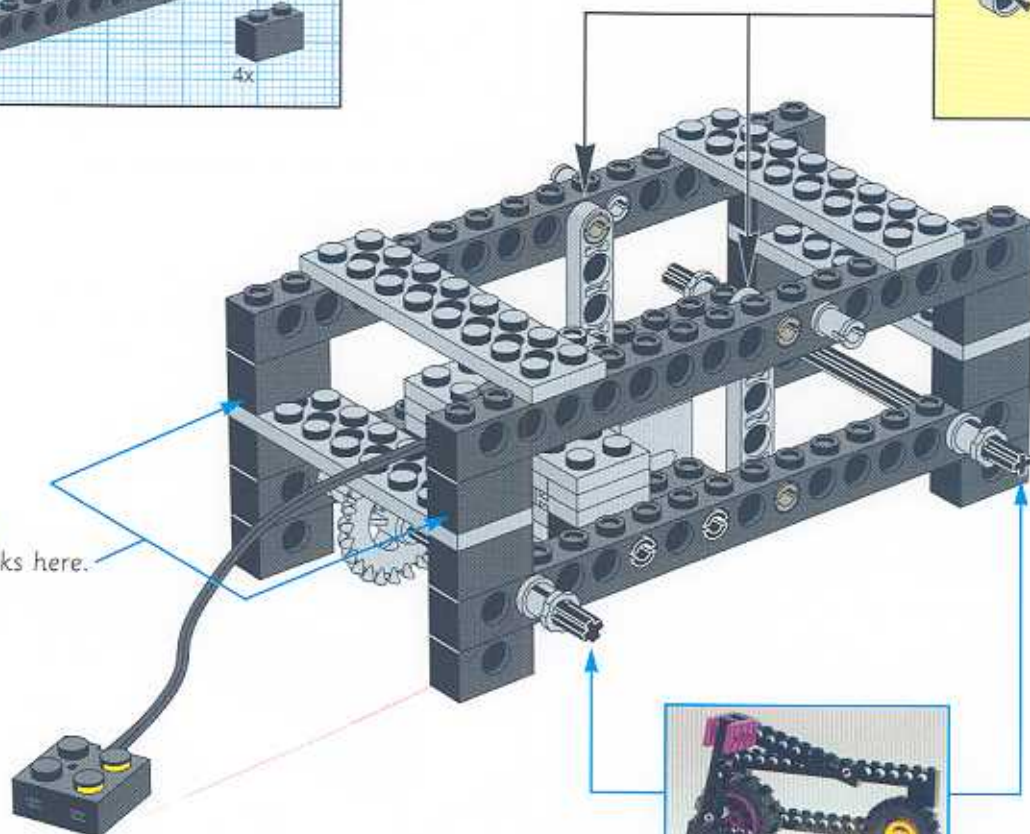
# 5

For this step, you need:



### Do this first!

Put the 1 x 2 bricks here.



**HINT:** Try these wheels.

### IF YOU NEED HELP COMPLETING YOUR ROBOT...

- Check out "Special Features" on page 24.
- Turn to "Tips and Tricks" on page 30.

### TO PROGRAM YOUR CREATURE...

- Go to one of the following challenges on the CD-ROM: Trapdragon, Bomberfly, Hammerphist, Stegoclubber or Tyrannolifter.

# Creature Mover 2

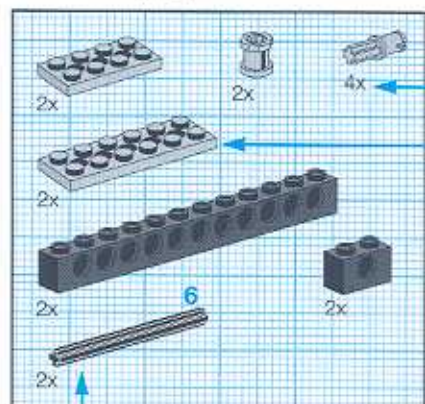
To get started on Creature Mover 2, follow these 6 steps.

## BEFORE YOU GET STARTED...

Make sure there are batteries in your RCX. For help installing batteries, turn to page 35.

# 1

For this step, you need:



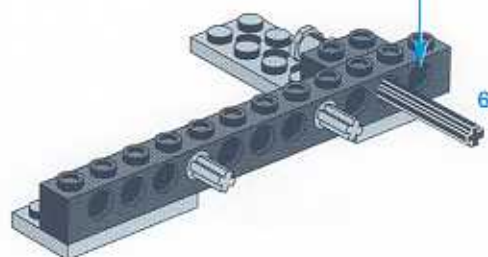
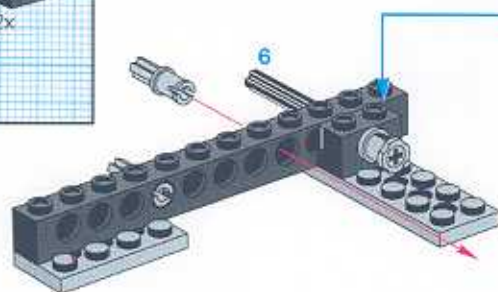
4x means you need 4 of these.

2x6 plate with holes

**Do this first!**

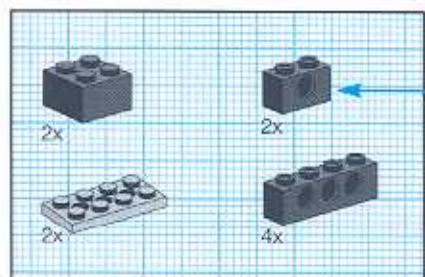
Put the beams onto the 2x6 plate with holes.

To measure an axle, see page 34.



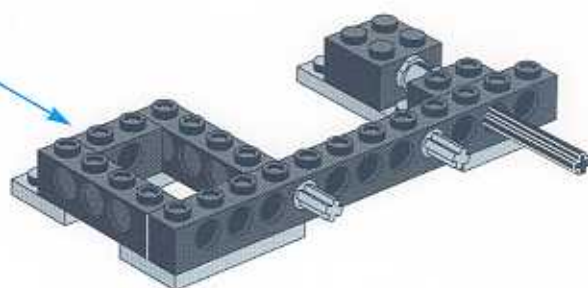
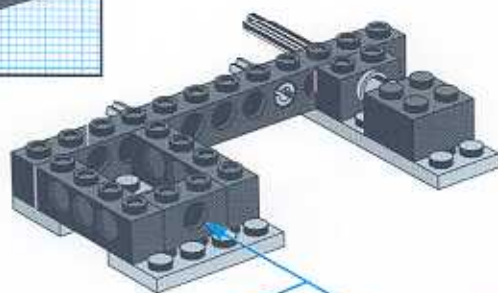
# 2

For this step, you need:



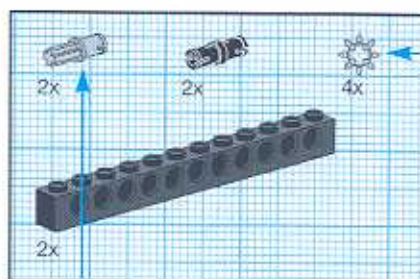
1x2 beam

Put the 1x2 beams here.



# 3

For this step, you need:

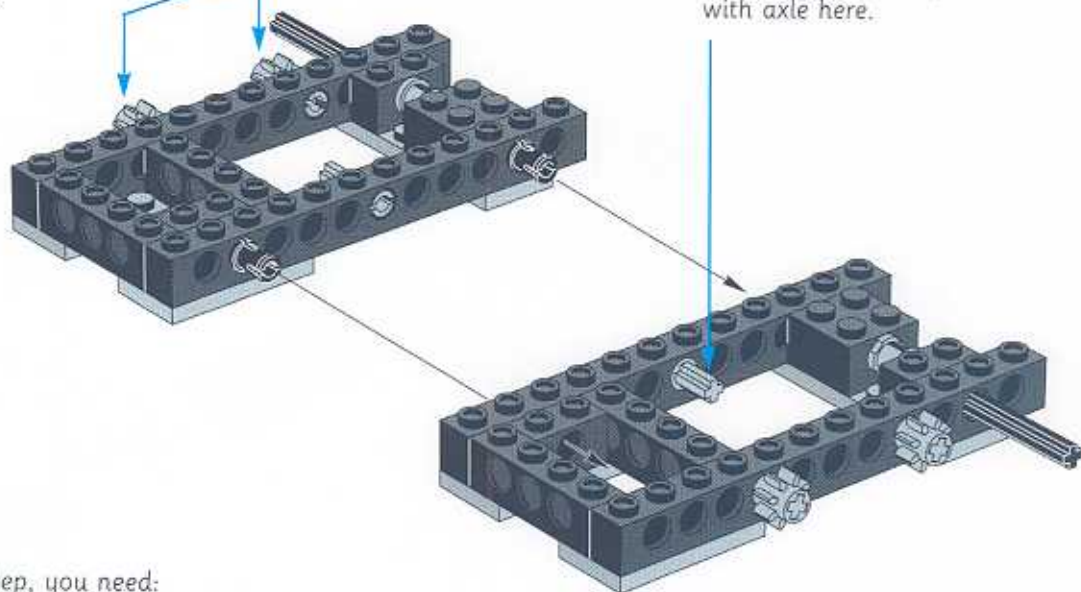


8-tooth gear

Connector peg with axle

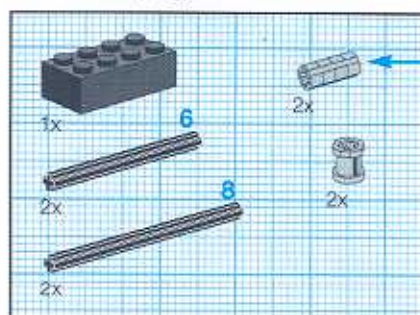
Put the 8-tooth gears here.

Put a connector peg with axle here.



# 4

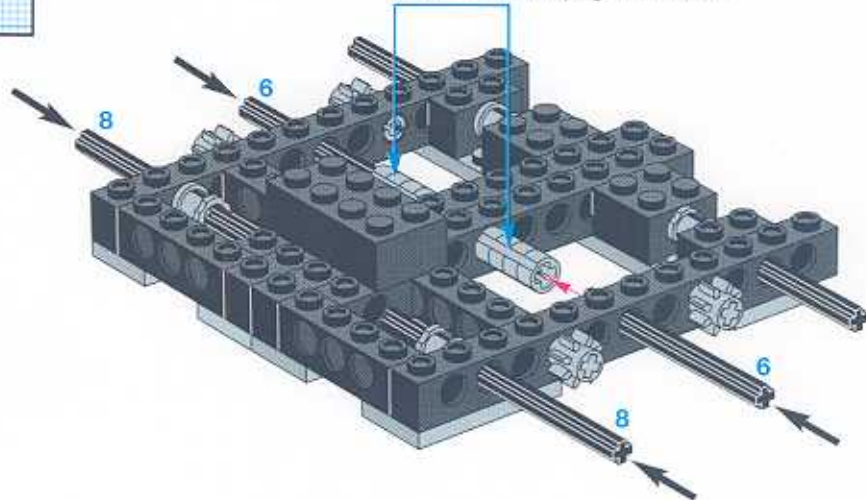
For this step, you need:



Axle extender

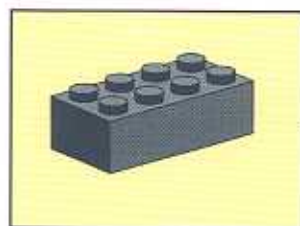
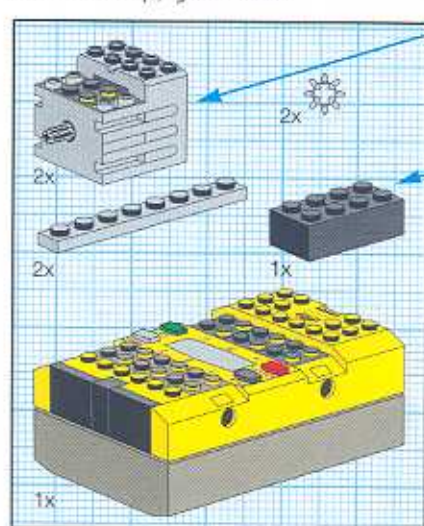
**Do this first!**

Put the axle extenders onto the connector peg with axle.

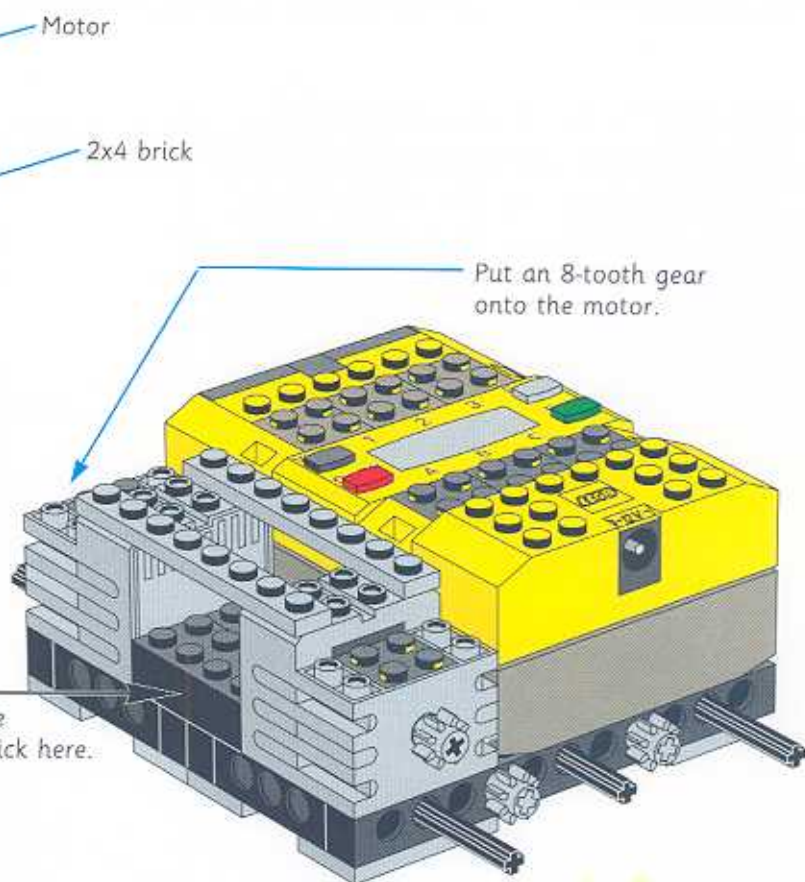


# 5

For this step, you need:

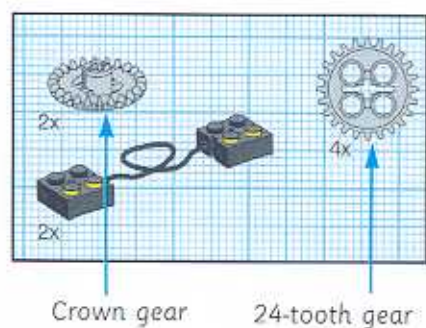


Put the 2x4 brick here.



# 6

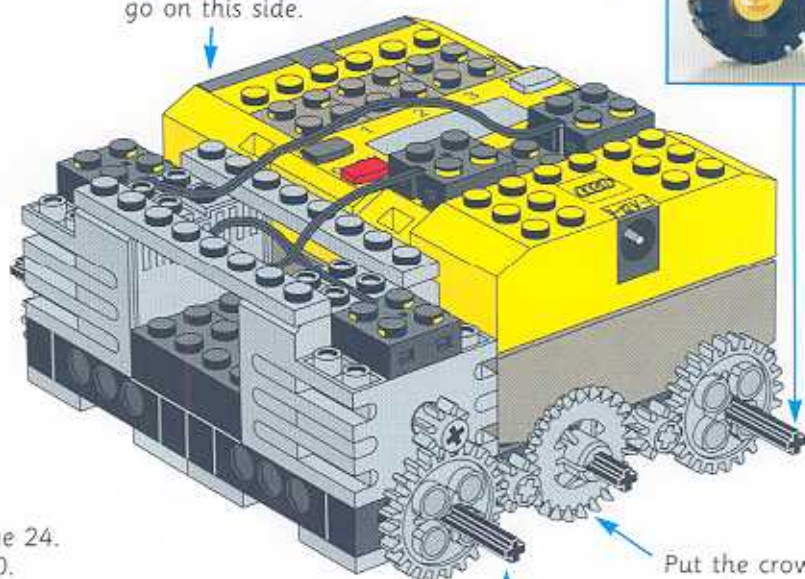
For this step, you need:



**HINT:** Try this wheel.



The gears also go on this side.



### IF YOU NEED HELP COMPLETING YOUR ROBOT...

- Check out "Special Features" on page 24.
- Turn to "Tips and Tricks" on page 30.

### TO PROGRAM YOUR CREATURE...

- Go to one of the following challenges on the CD-ROM: Touchmole, Glyptotank or Triceradozer.



**HINT:** Try this wheel.



# Creature Mover 3

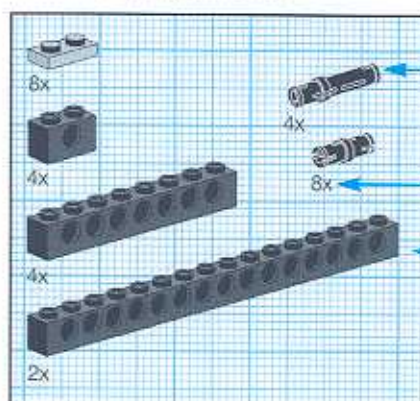
To get started on Creature Mover 3, follow these 6 steps.

## BEFORE YOU GET STARTED...

Make sure there are batteries in your RCX. For help installing batteries, turn to page 35.

# 1

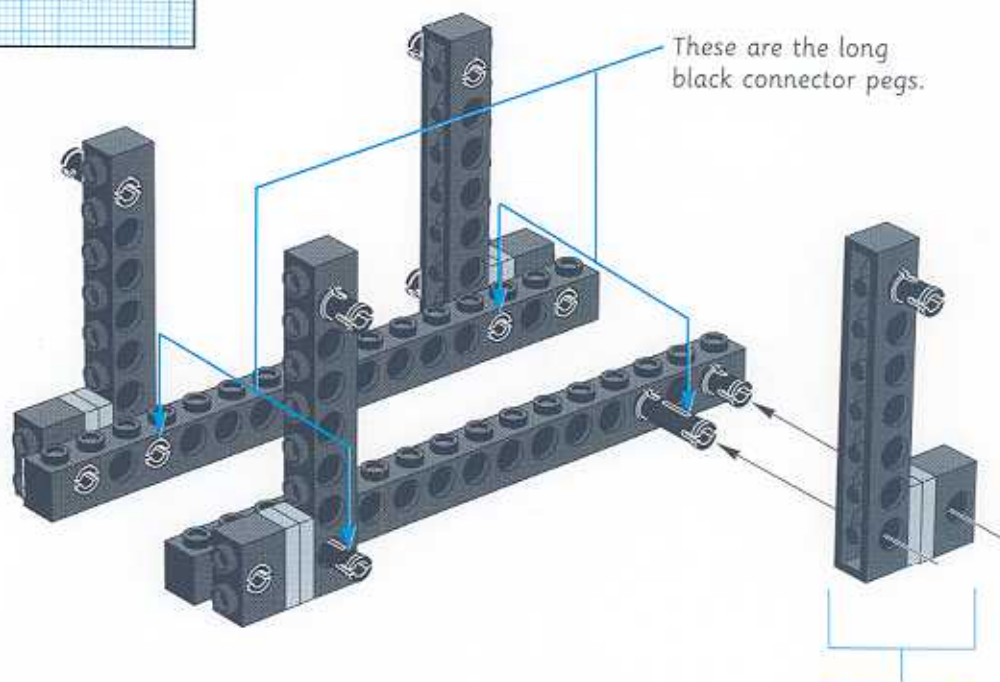
For this step, you need:



Long black connector peg

8x means you need 8 of these.

1 x 16 beam.



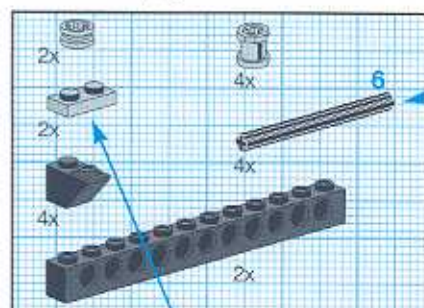
These are the long black connector pegs.

**Do this first!**

Build this, then attach it to the 1 x 16 beam.

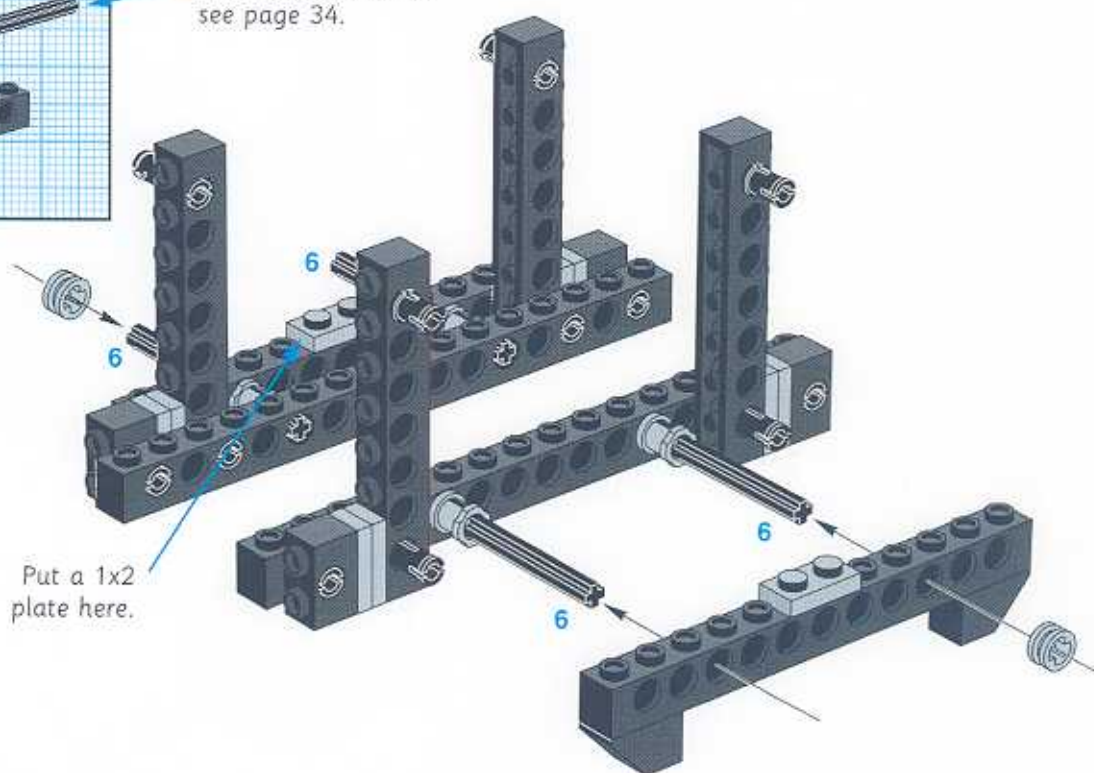
## 2

For this step, you need:



1x2 plate

To measure an axle, see page 34.



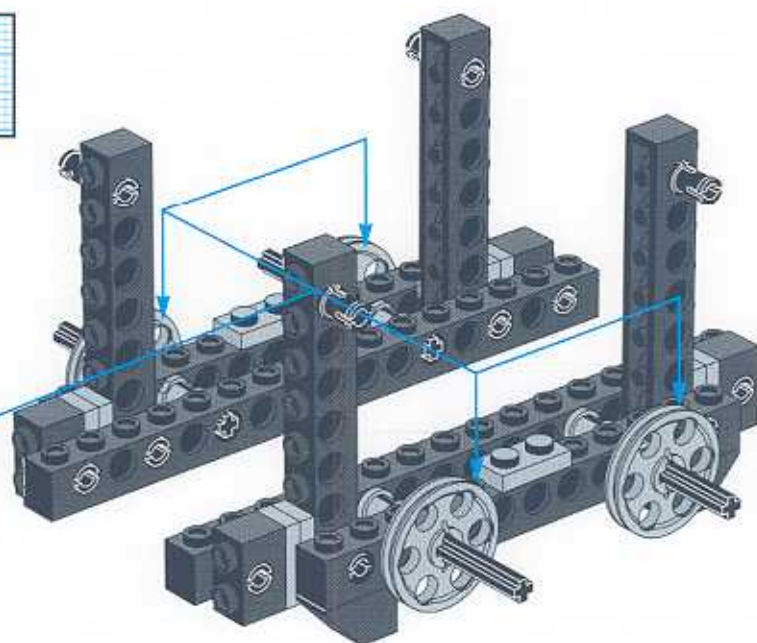
## 3

For this step, you need:



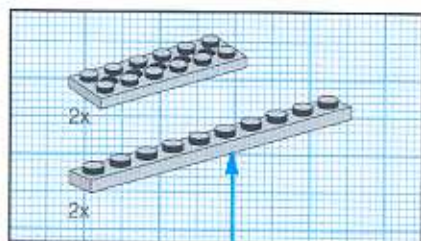
Large pulley

Put a large pulley onto each axle.

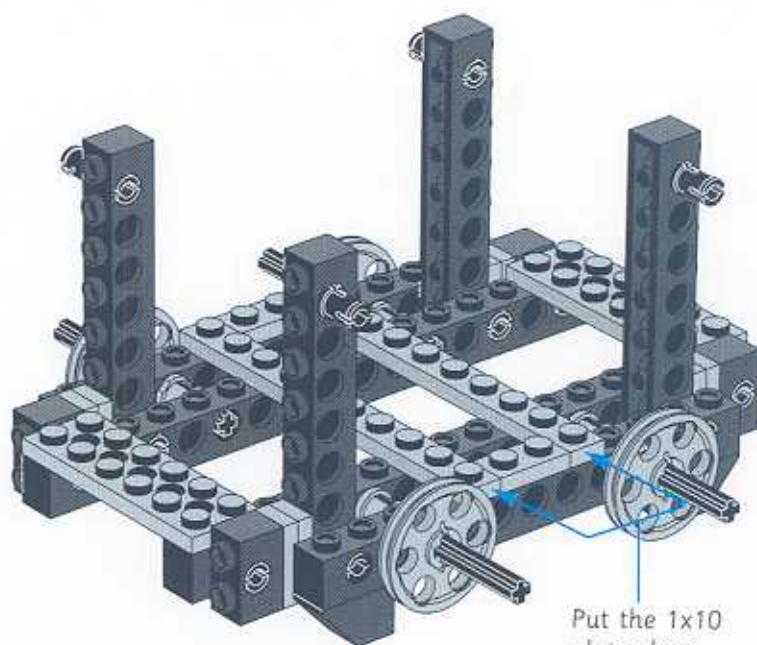


# 4

For this step, you need:



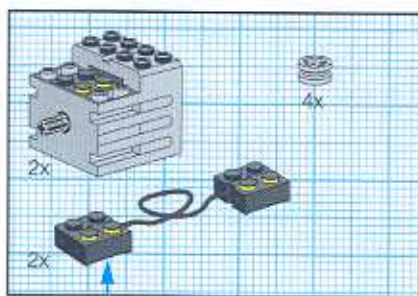
1x10 plate



Put the 1x10 plates here.

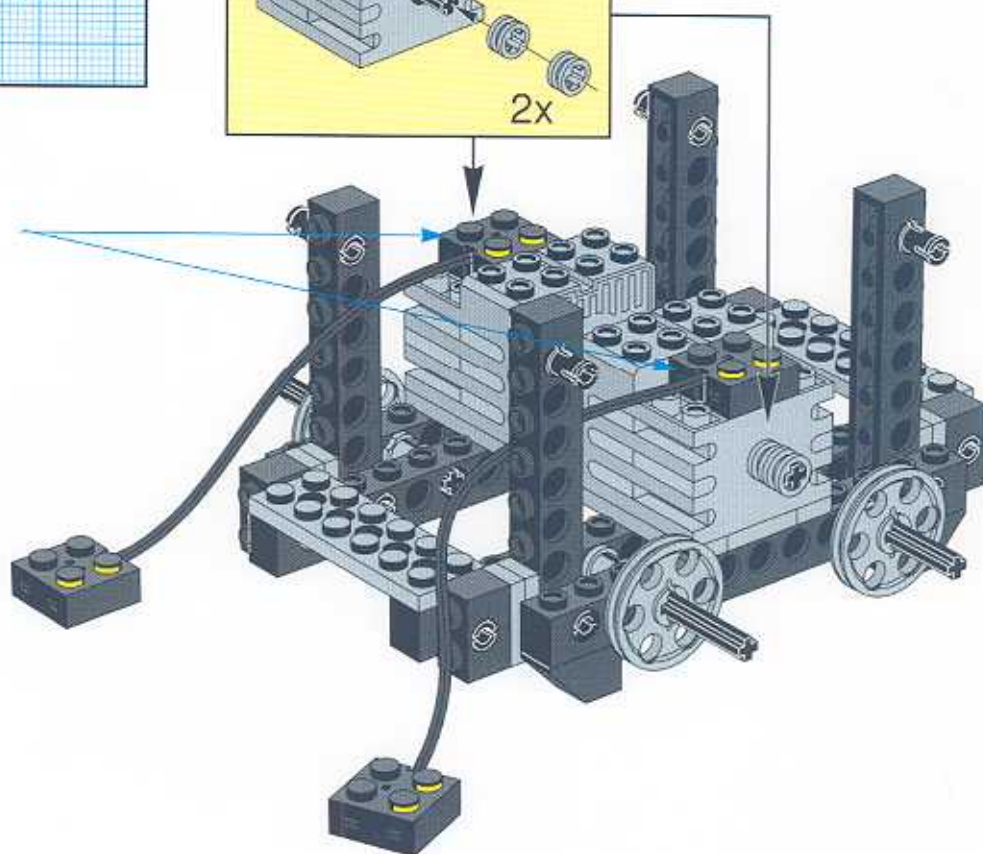
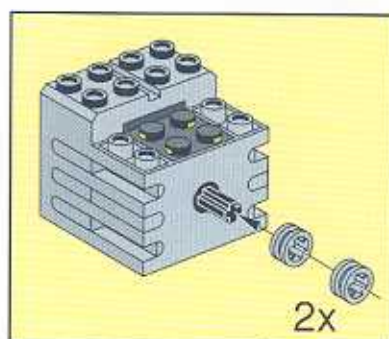
# 5

For this step, you need:



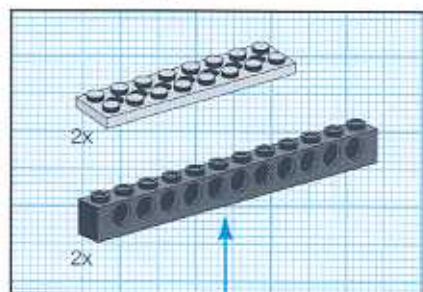
Electrical wire

Put the electrical wire onto the motors.



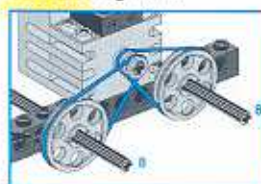
# 6

For this step, you need:

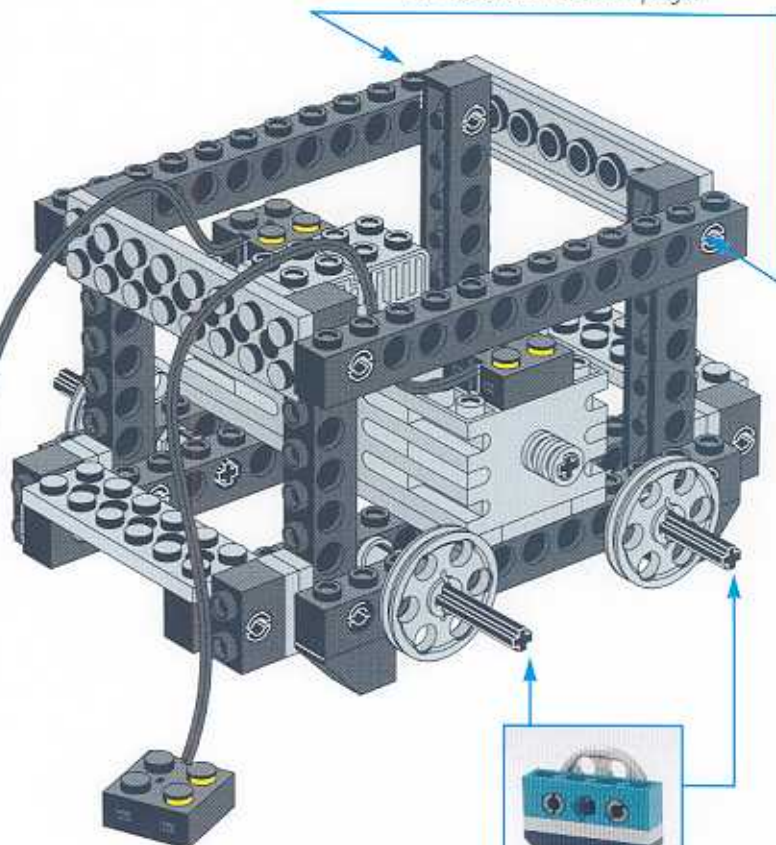


1x12 beam

**HINT:** Try this.



Put the 1x12 beams onto the black connector pegs.



**HINT:** Try these wheels.

### IF YOU NEED HELP COMPLETING YOUR ROBOT...

- Check out "Special Features" on page 24.
- Turn to "Tips and Tricks" on page 30.

### TO PROGRAM YOUR CREATURE...

- Go to one of the following challenges on the CD-ROM: Touchmole or Triceradozer.

# Pincer

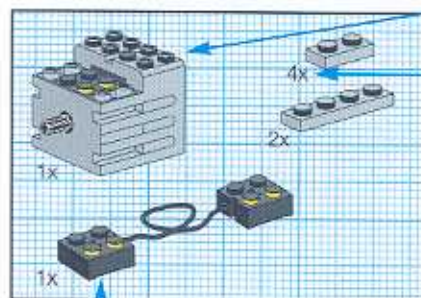
To get started on the Pincer, follow these 3 steps.

## BEFORE YOU GET STARTED...

Make sure there are batteries in your RCX. For help installing batteries, turn to page 35.

# 1

For this step, you need:

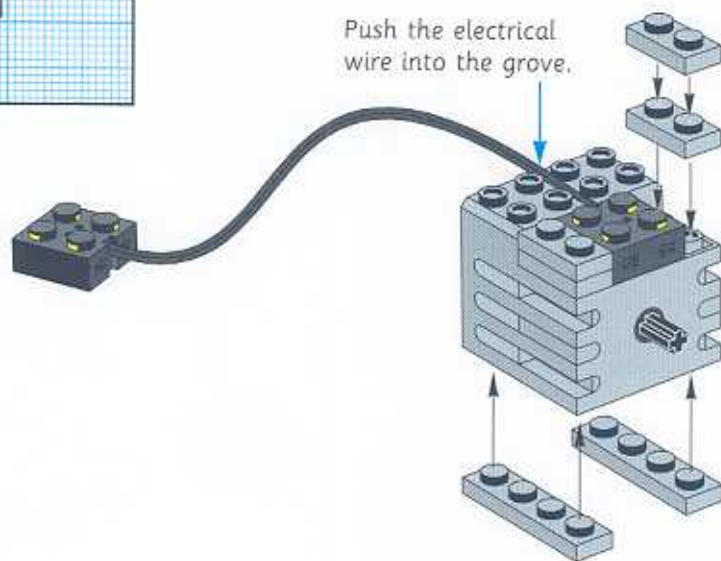


Motor

4x means you need 4 of these.

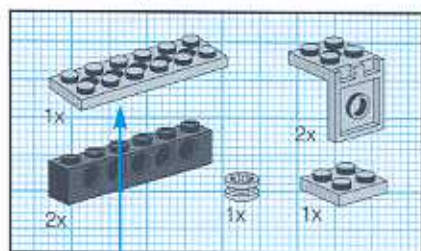
Electrical wire

Push the electrical wire into the groove.



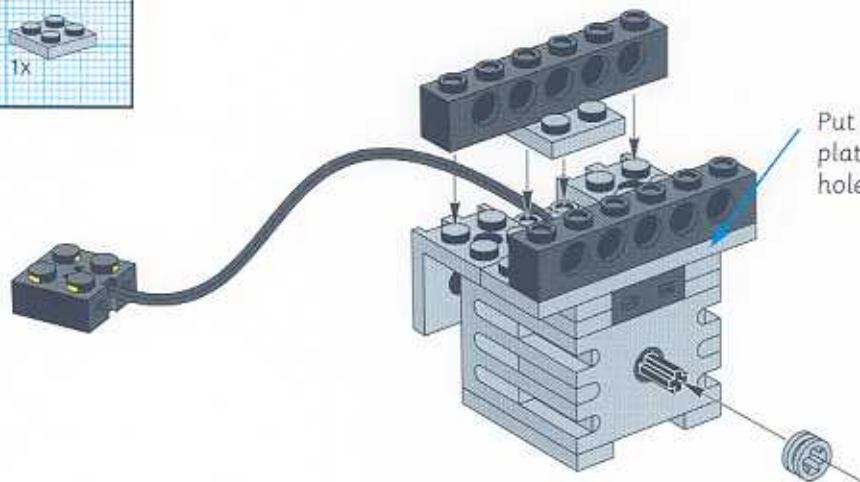
# 2

For this step, you need:

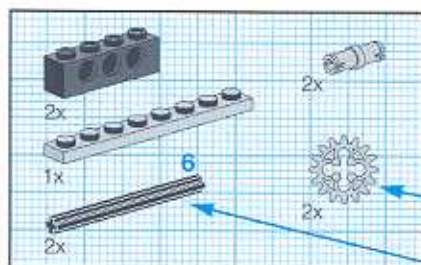


2x6 plate with holes

Put the 2x6 plate with holes here.



**3** For this step, you need:



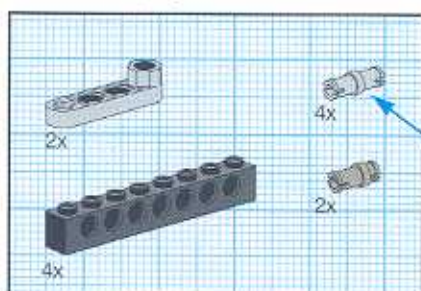
**a.**



16-tooth gear

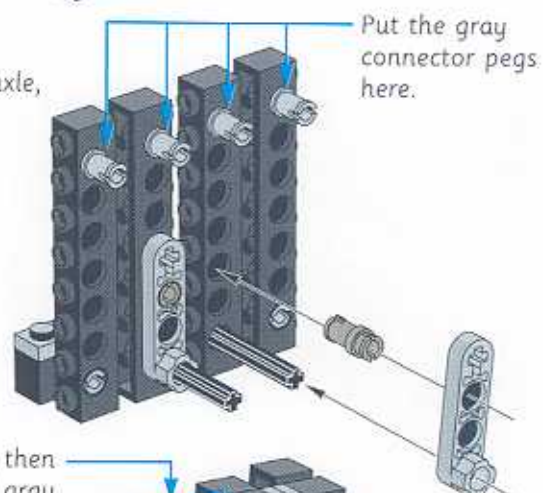
To measure an axle, see page 34.

For this step, you need:



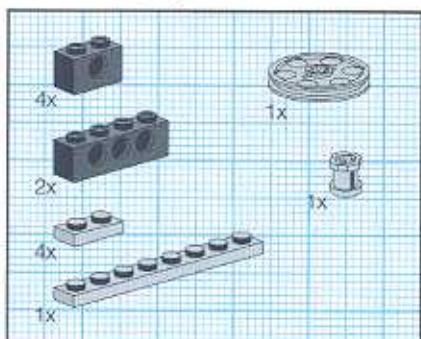
**b.**

Gray connector peg



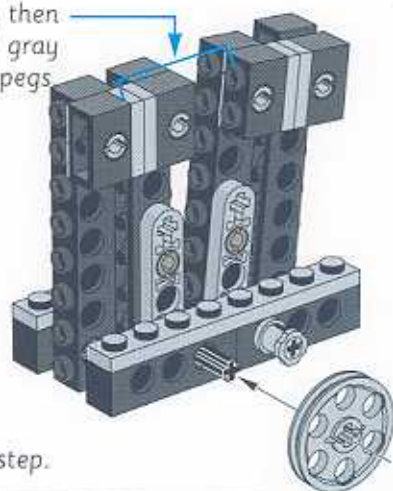
Put the gray connector pegs here.

For this step, you need:



**c.**

Build this first, then attach it to the gray connector pegs



Attach this to the previous step.

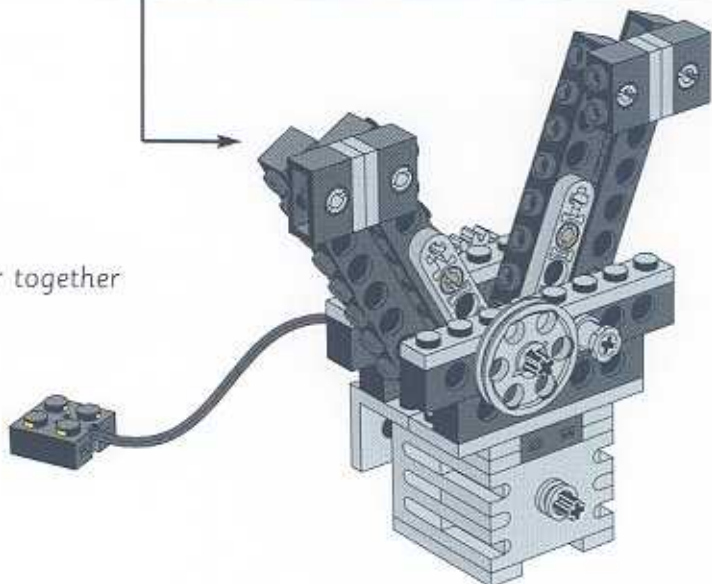
**4**

#### PINCER

- Use the Pincer on your own creature, or together with Creature Mover 1, 2 or 3.

#### HINT:

- Try one of the following challenges: Bomberfly, Skorpion or Tyrannolifter.



# Claw

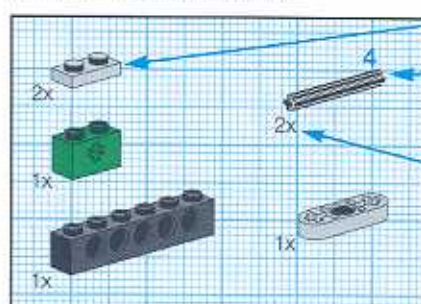
To get started on the Claw, follow these 6 steps.

## BEFORE YOU GET STARTED...

Make sure there are batteries in your RCX. For help installing batteries, turn to page 35.

# 1

For this step, you need:

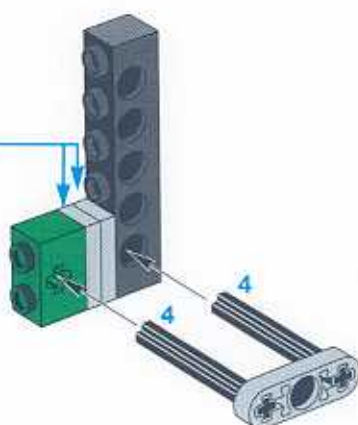


1x2 plate

To measure an axle, see page 34.

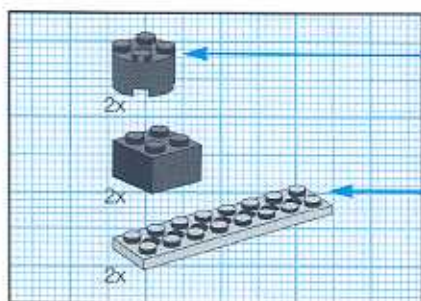
2x means you need 2 of these.

Put the 1x2 plates here.



# 2

For this step, you need:

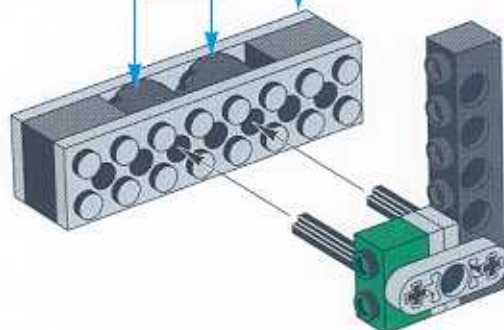


2x2 round brick

2x8 plate with holes

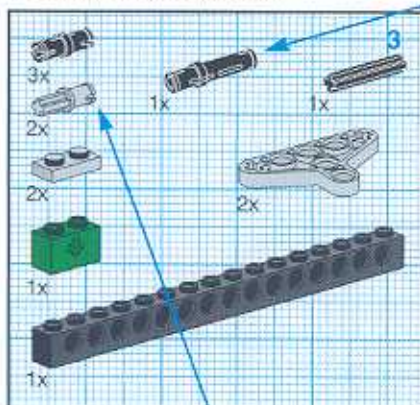
Put the 2x2 round bricks here.

This is a 2x8 plate with holes.



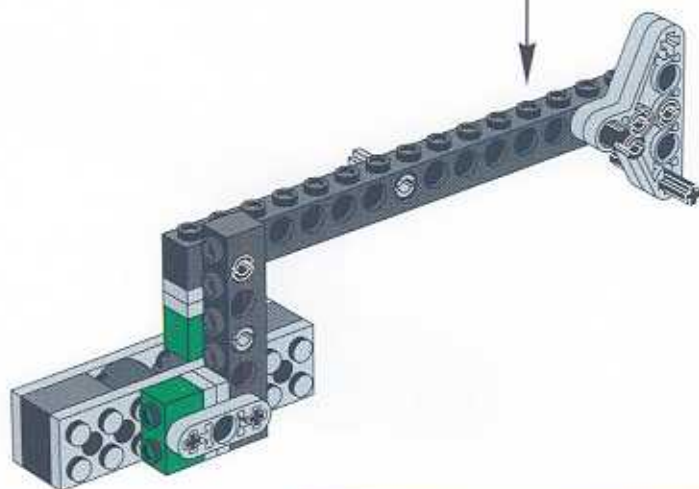
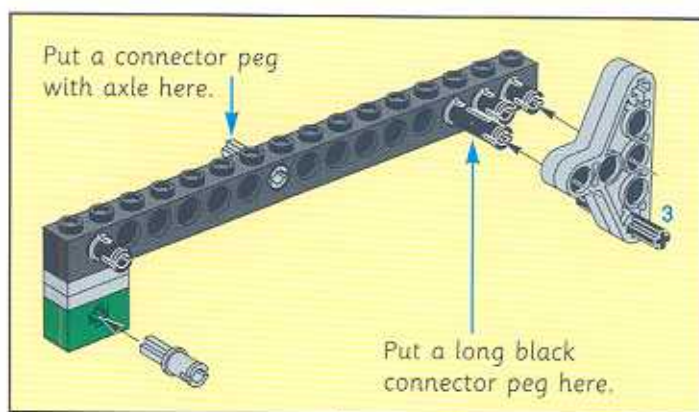
# 3

For this step, you need:



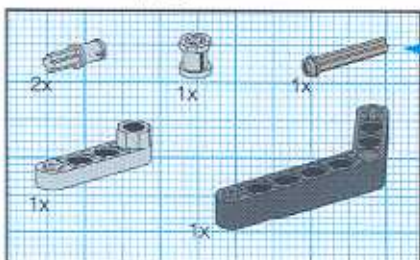
Long black connector peg

Connector peg with axle

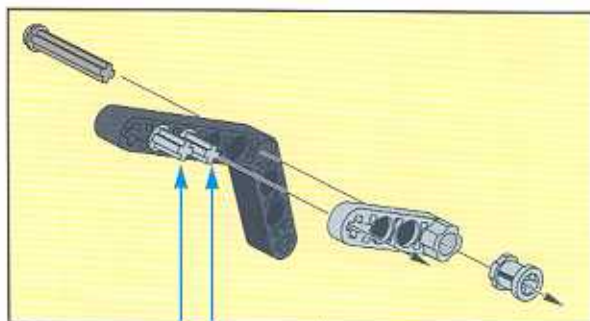


# 4

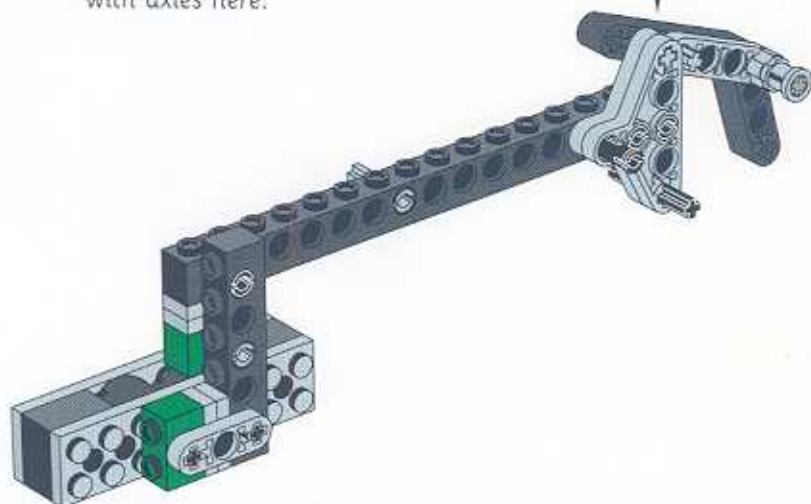
For this step, you need:



Axle with stop



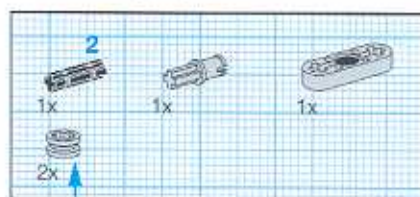
Put the connector peg with axles here.



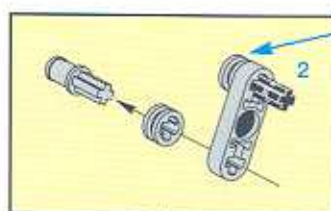


**5**

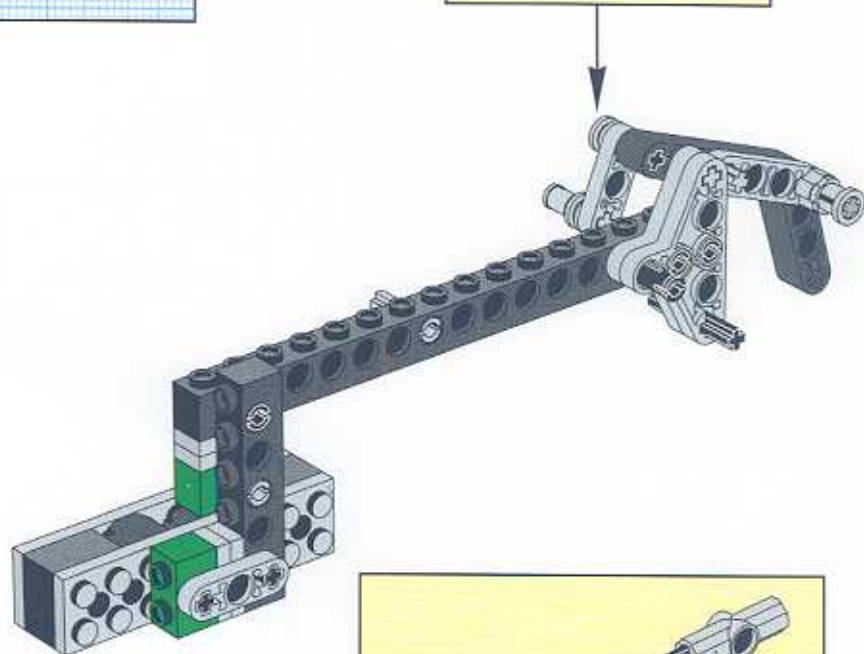
For this step, you need:



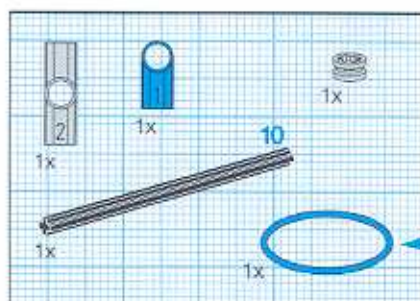
1/2 bushing



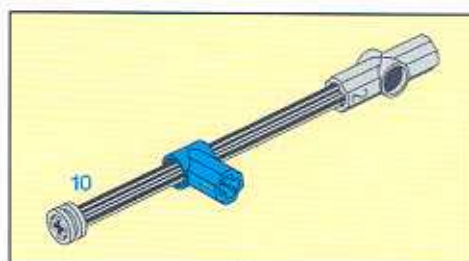
Put a 1/2 bushing here.

**6**

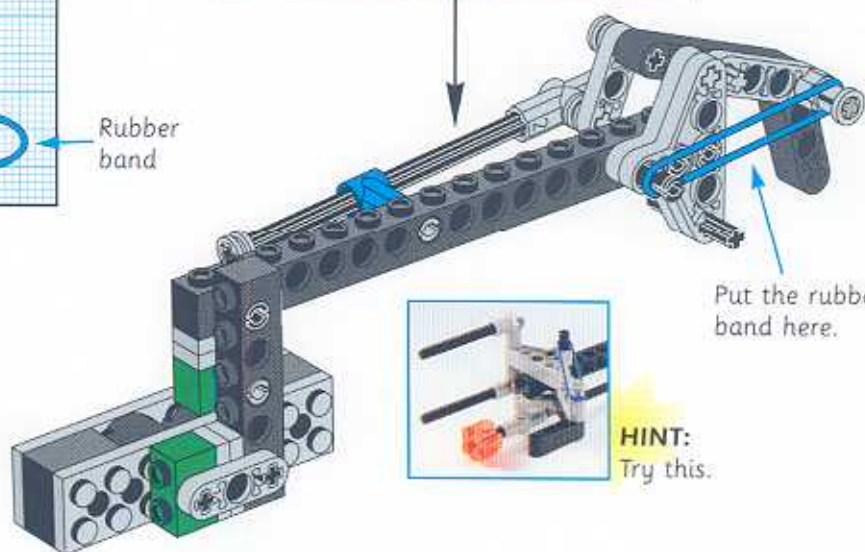
For this step, you need:



Rubber band



Put the rubber band here.

**HINT:**  
Try this.**CLAW**

- Use the Claw on your own creature, or together with Creature Mover 1, 2 or 3.

# Wagger

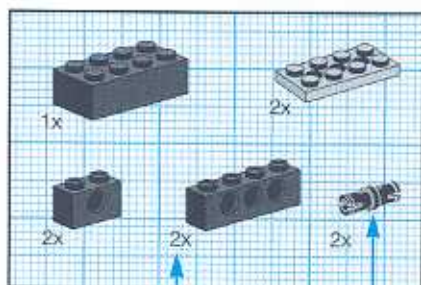
To get started on the Wagger, follow these 5 steps.

## BEFORE YOU GET STARTED...

Make sure there are batteries in your RCX. For help installing batteries, turn to page 35.

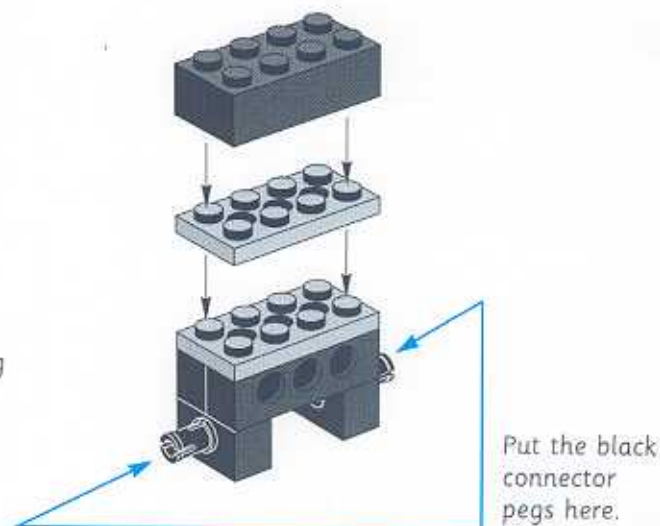
# 1

For this step, you need:



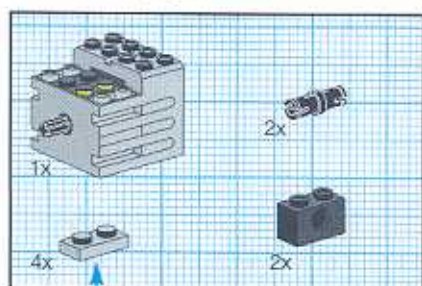
2x means you need 2 of these.

Black connector peg



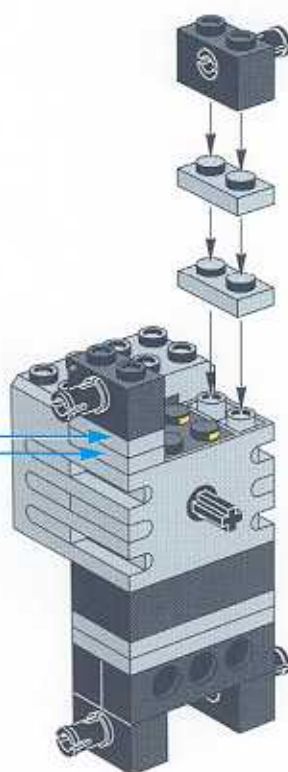
# 2

For this step, you need:



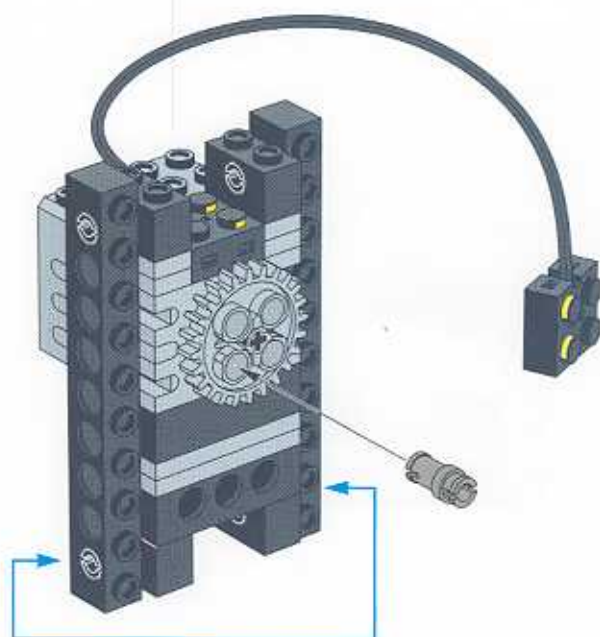
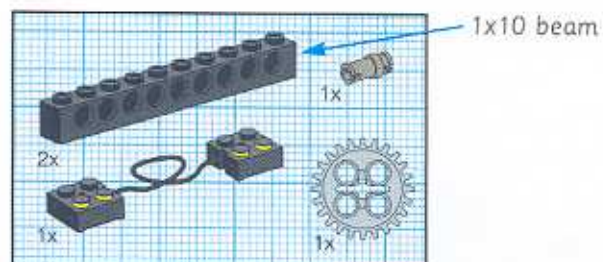
1x2 plate

Put the 1x2 plates here.



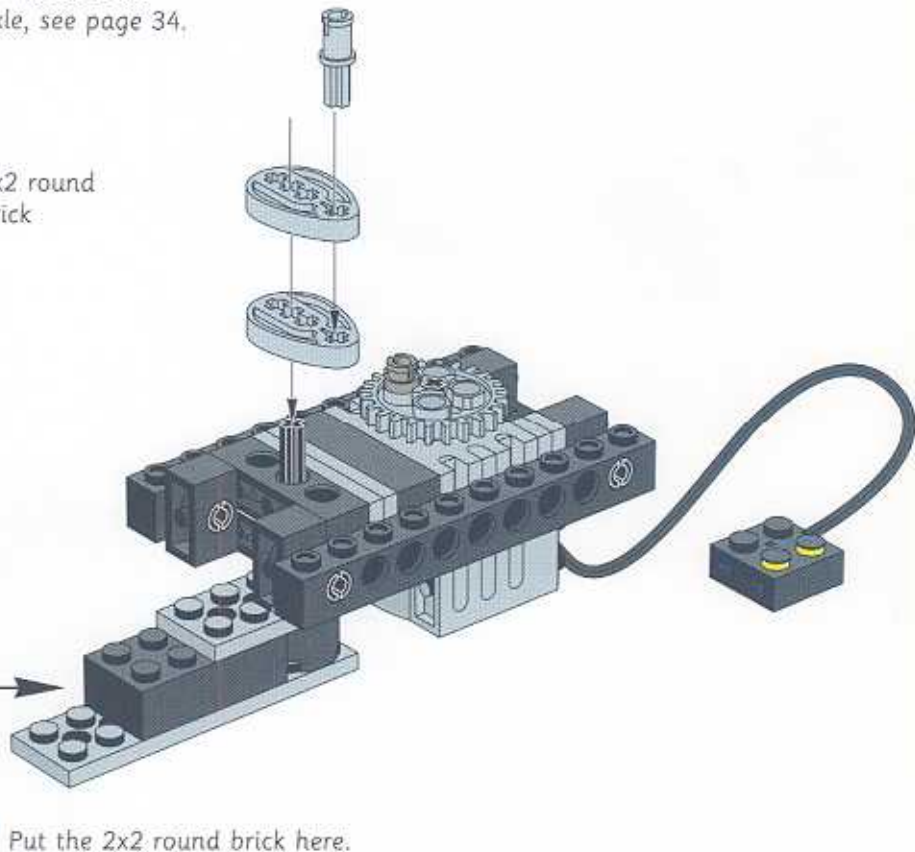
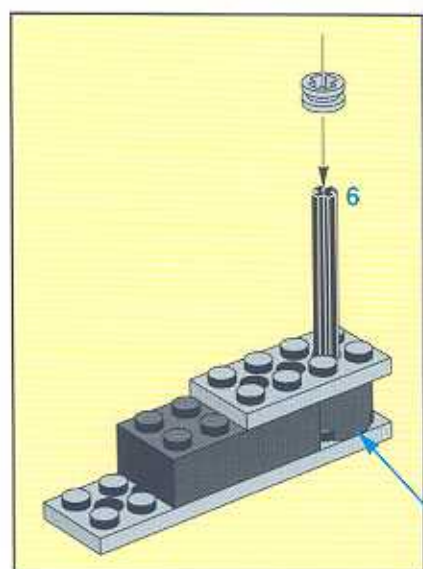
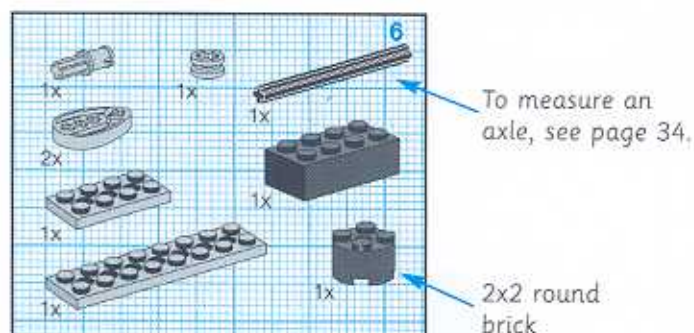
# 3

For this step, you need:



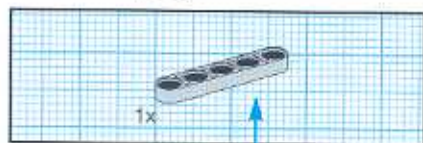
# 4

For this step, you need:



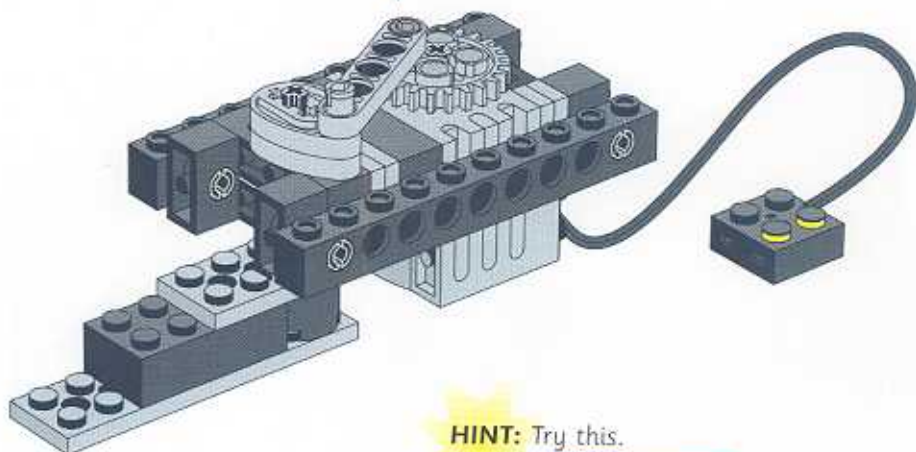
# 5

For this step, you need:



Half beam

Put the half beam here.



**HINT:** Try this.



## WAGGER

- Use the Wagger on your own creature, or together with Creature Mover 1, 2 or 3.

## HINT

- Try one of the following challenges: Pitcher Critter, Skorpion, Hammerphist or Stegoclubber.

# Special Features

## MOVEMENT

There's more than one way to get things moving. Here are a few ideas to get your mind in gear.



To make your creature limp, attach a foot to the wheel.

1



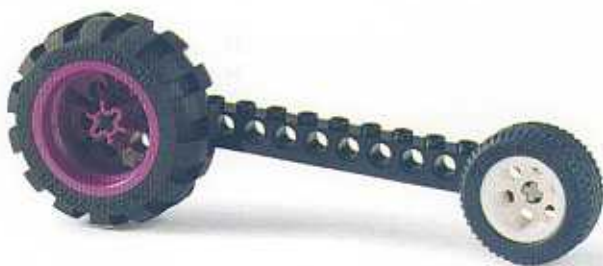
To make your creature hop, use these lopsided feet.

2



You can use more than one-sized wheel to make your creature move. Try this combination.

3



Now try this one.

4



Use this tread to make your creature move.

5



You can also use a triangular tread.

6



This chassis wobbles as it moves.

7



This chassis lunges as it moves.

8

## NATURAL



## MECHANICAL

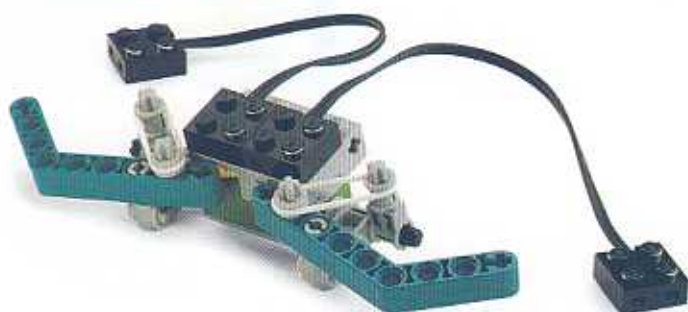


# Special Features

## SENSORS

Sensors make it possible for your creature to respond to its environment. Here are a few ideas on how to use light sensors and touch sensors.

### Touch Sensors



Use a bumper to activate your touch sensors. For help, turn to *Tips & Tricks* on page 32.

1

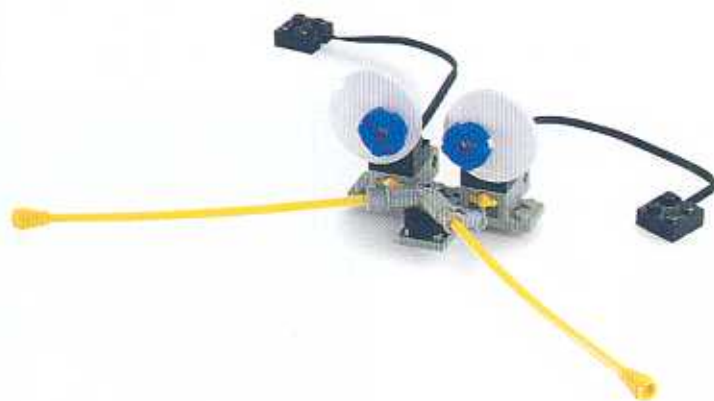
### Light Sensors



These eyes are just for decoration.

This eye is the one that really "sees."

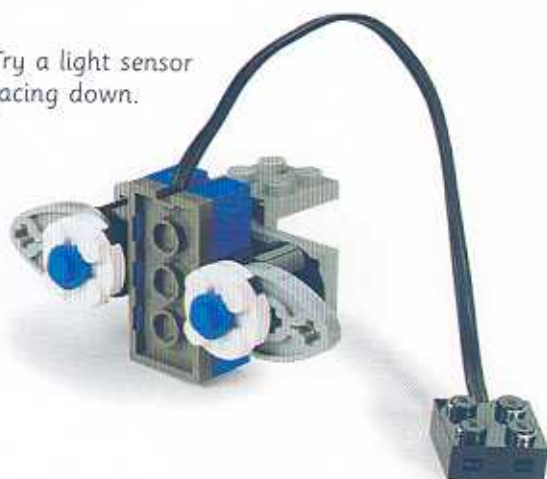
2



Use antennae to activate your touch sensors.

3

Try a light sensor facing down.

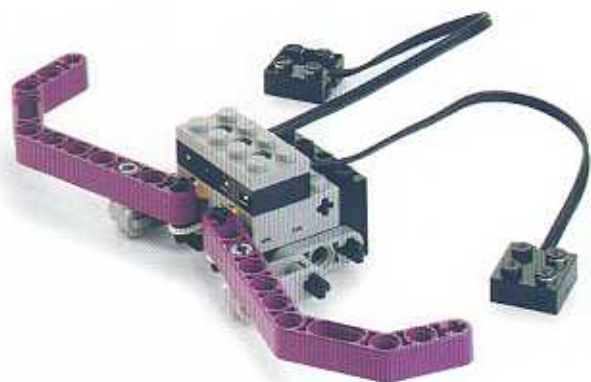


4

Try a light sensor facing up.



6



Use feelers to activate your touch sensors. For help, turn to *Tips & Tricks* on page 32.

5

## Attachments



These can be used as antennae.

7



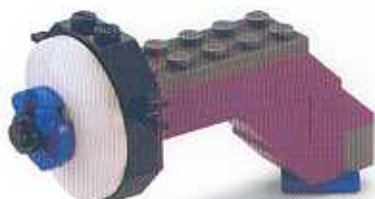
This can also be used as an antennae.

8

See what your creature looks like with big eyes like these.



9



Try making both one-eyed and two-eyed creatures.

10

Try these wings on your creature.



11

These can also be used as wings.

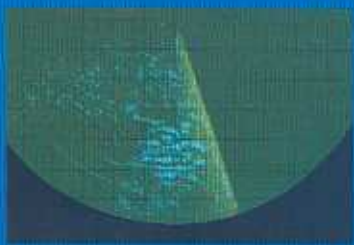


12

## NATURAL



## MECHANICAL

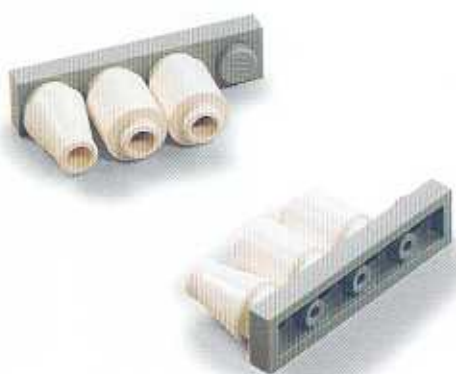




# Special Features

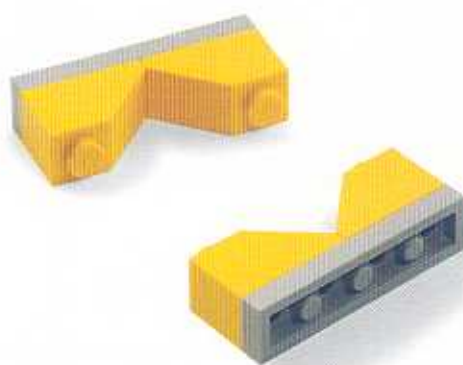
## GRABBER ATTACHMENTS

Attachments for the pincer



Add teeth to make a jaw.

1



Add these pieces to make a claw.

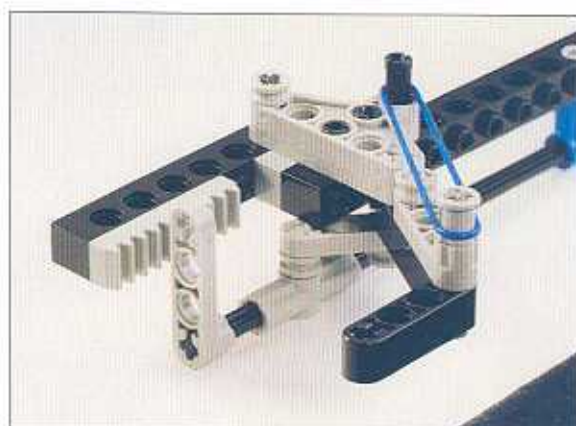
2

Attachments for the claw



This is a hand that grasps when triggered.

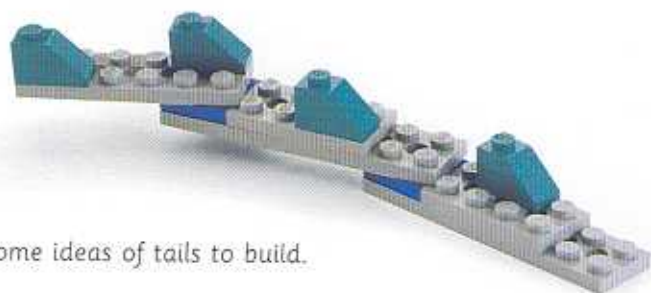
3



This is another trigger-activated hand.

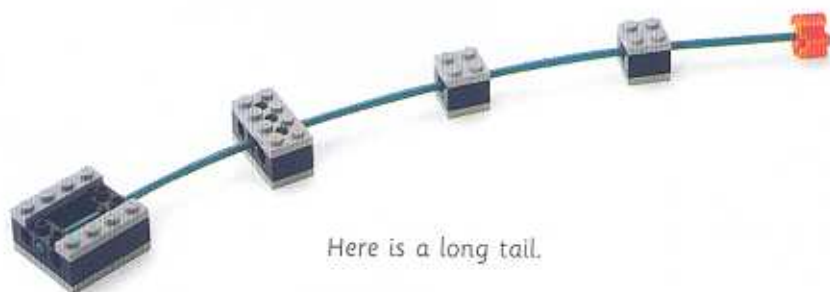
4

## Tails



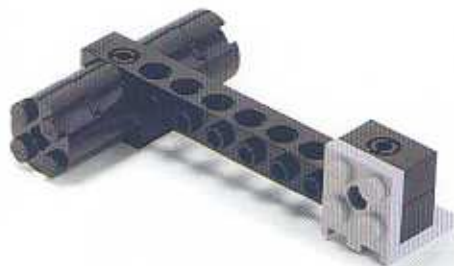
Here are some ideas of tails to build.

5



Here is a long tail.

6



Try this on the Stegoclubber.

7



Try this on the Skorpion.

8

## NATURAL



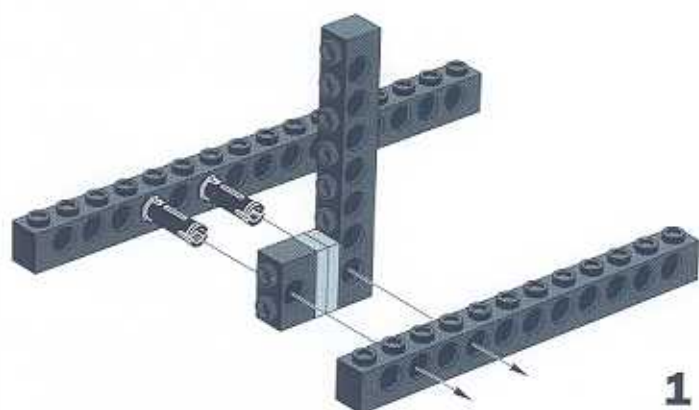
## MECHANICAL



# Tips & Tricks

If you want to make your invention bigger, stronger, faster, or work even better, try using these tips and tricks.

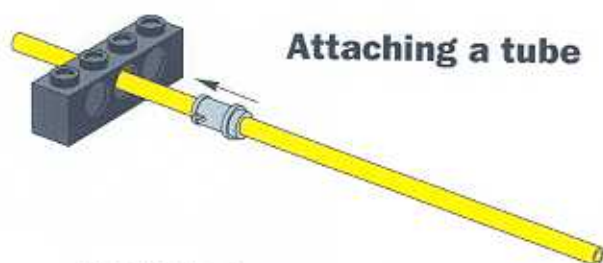
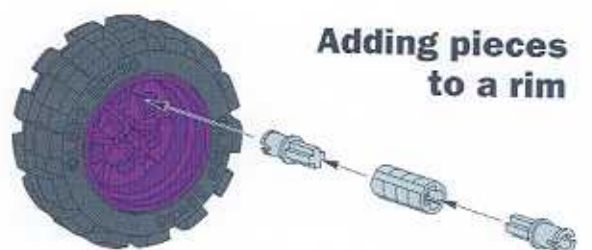
## Adding length



## Attaching a tube

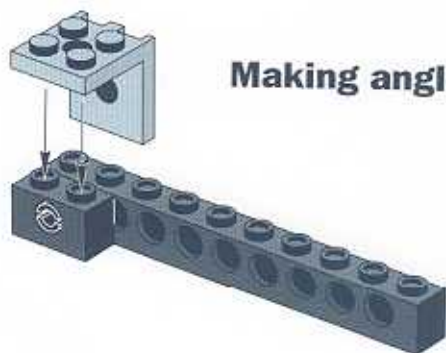


## Adding pieces to a rim

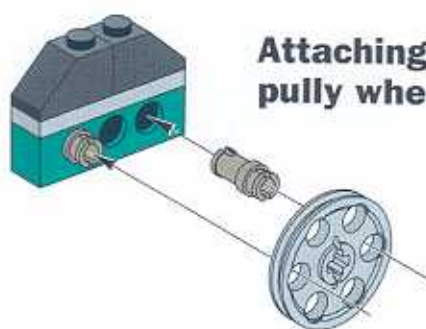


Use the short gray connector peg to attach the yellow tube to a brick.

## Making angles

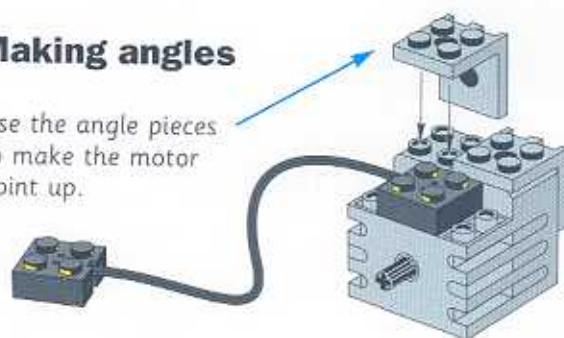


## Attaching a pulley wheel



## Making angles

Use the angle pieces to make the motor point up.



### Making a hinge



8

### Making a hinge

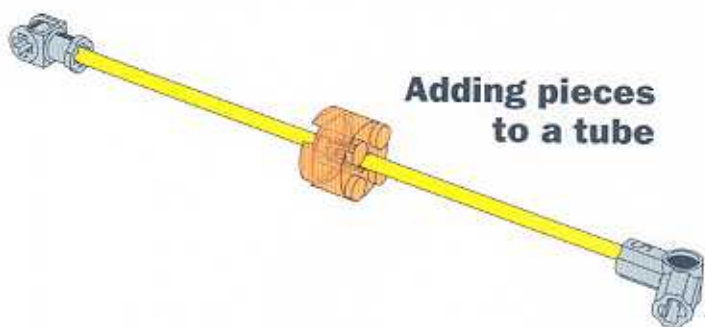


9

### Using a turntable



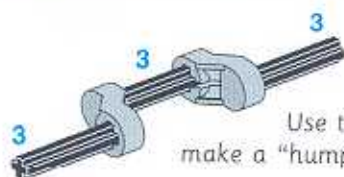
10



### Adding pieces to a tube

11

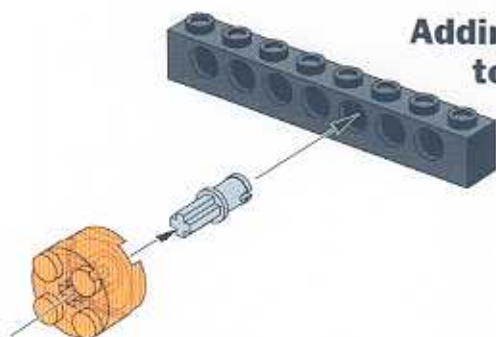
### Making a crank shaft



Use these pieces to make a "hump" in the axle.

12

### Adding bricks to a beam



13

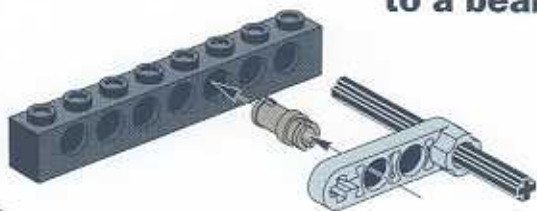
### Adding hubs for caterpillar treads



Use gears to attach the wheels for the track.

14

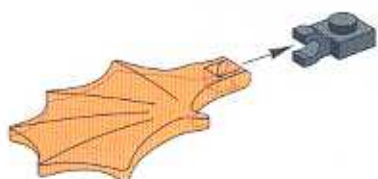
### Adding a lift arm to a beam



15

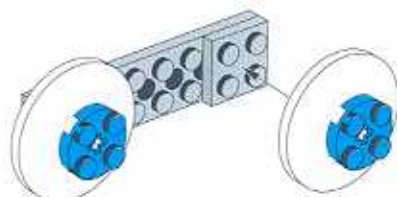
# Tips & Tricks

Attaching a wing



16

Adding eyes



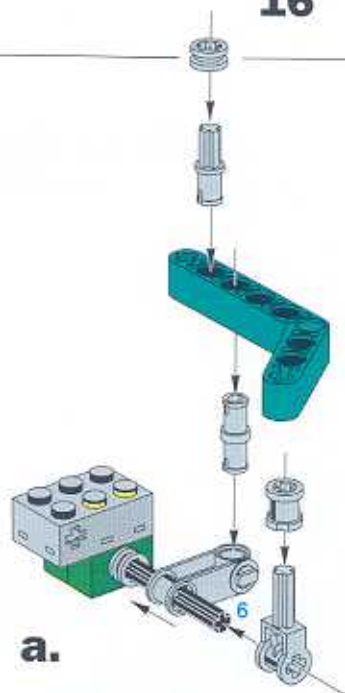
17

Adding eyes

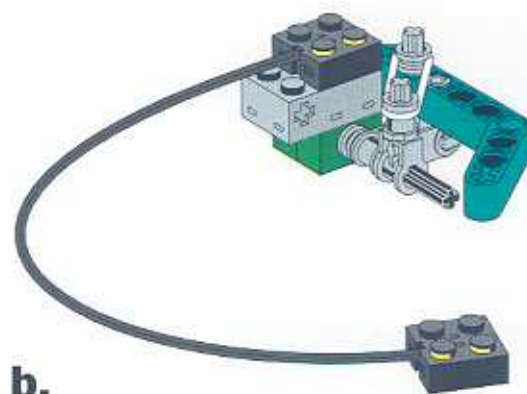


18

Making a single bumper



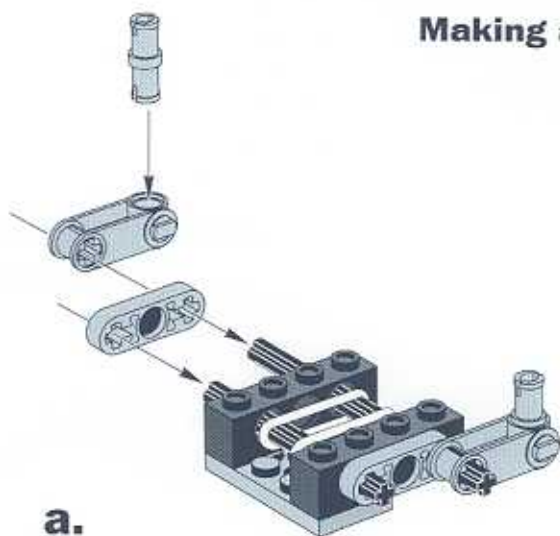
a.



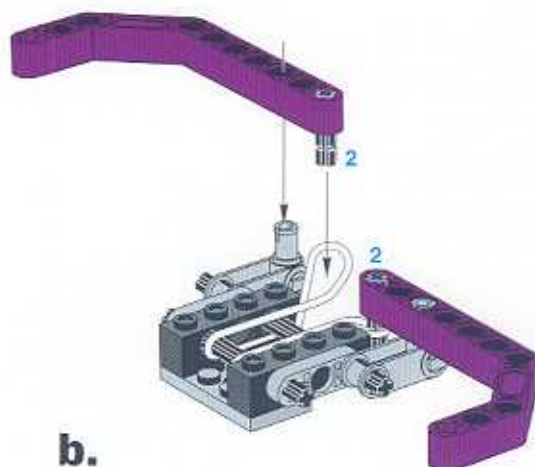
b.

19

Making a double bumper



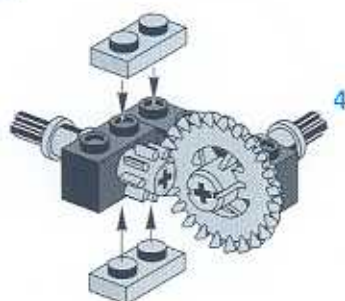
a.



b.

20

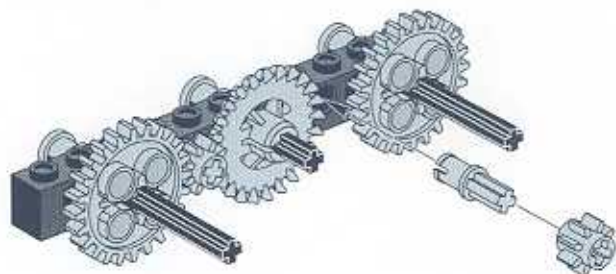
### Using gears to turn corners



This is how you can get an axle to spin at a right angle to another.

21

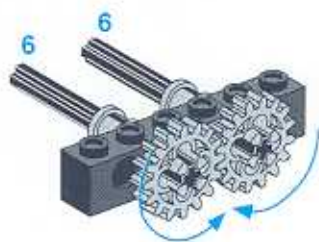
### Linking gears



Connecting the gears this way links one axle to another.

22

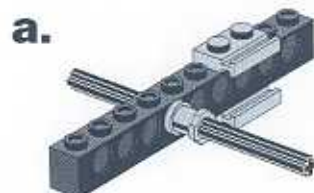
### Linking gears



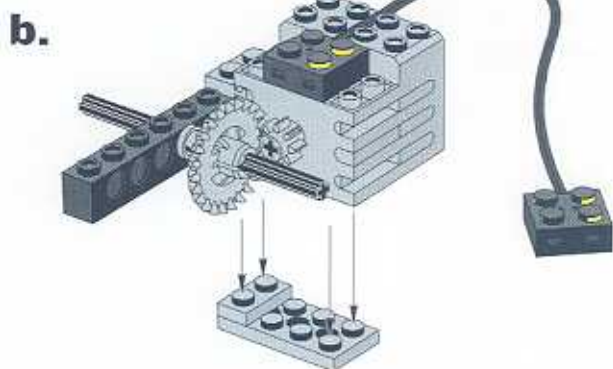
These gears will spin in opposite directions.

23

### Using the 24-tooth crown gear



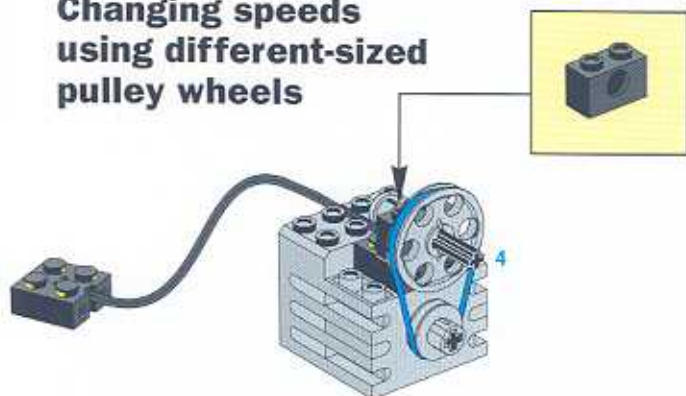
a.



Right angle gears

24

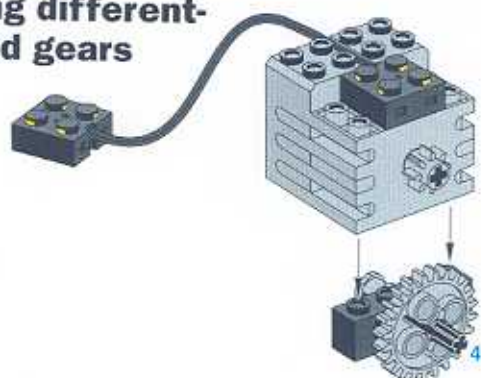
### Changing speeds using different-sized pulley wheels



25

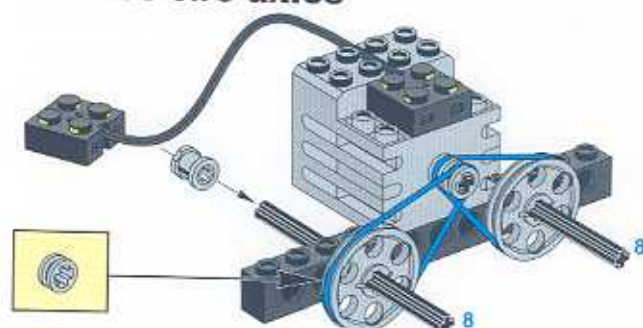
# Tips & Tricks

## Changing speeds using different-sized gears



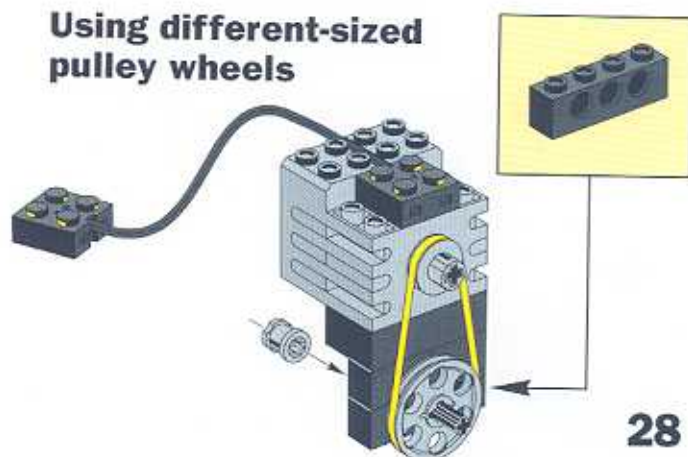
26

## Using one motor to drive two axles



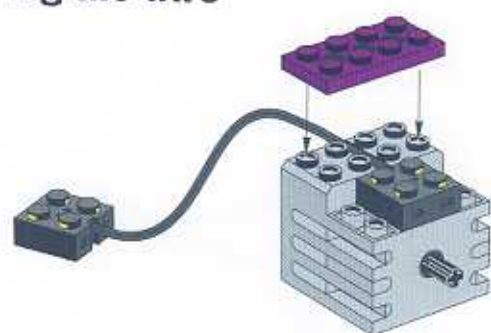
27

## Using different-sized pulley wheels



28

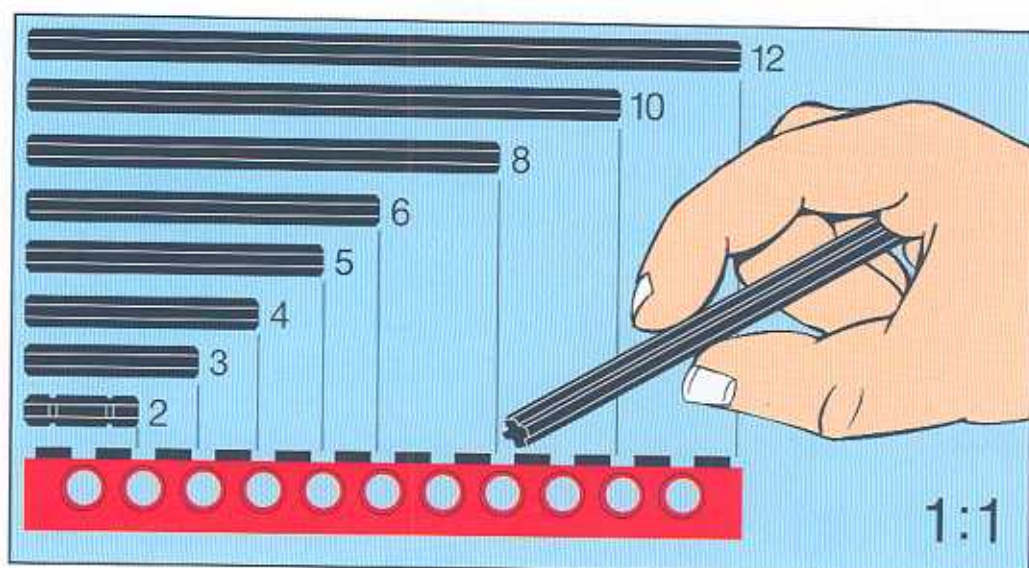
## Covering the wire



29

## How to Measure an Axle

Use this chart to measure the length of an axle.

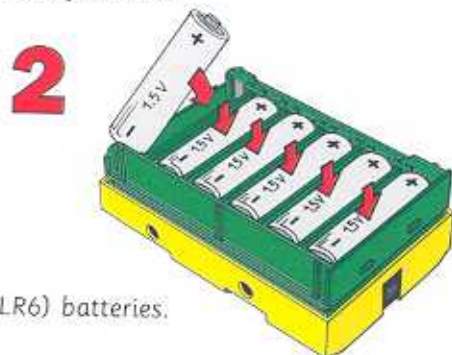
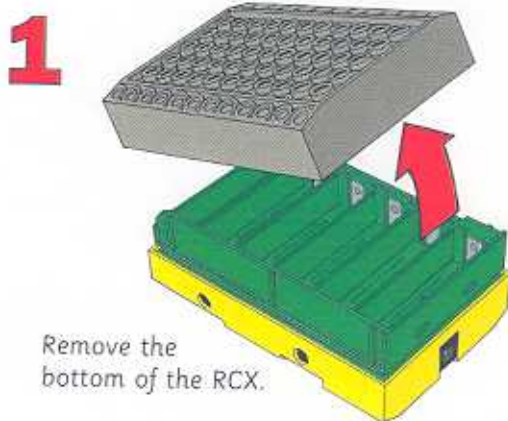


## Battery Installation for the RCX

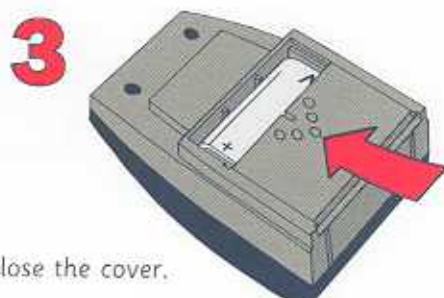
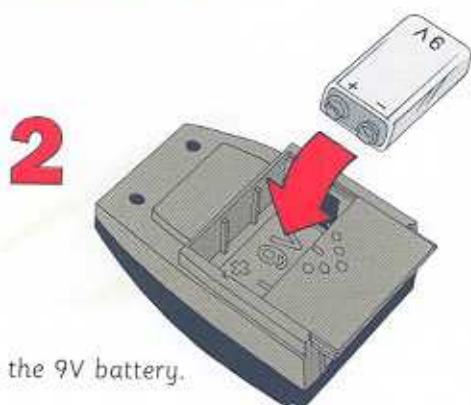


### Instructions for use of battery box

Never mix different types of batteries or old and new batteries in one battery box. Always remove the batteries from the battery box for long-term storage or if they have reached the end of their life. Liquid leaking from dead batteries will damage the battery box. Rechargeable batteries can be used but power may be reduced. Do not recharge the batteries in the battery box. Rechargeable batteries are only to be charged under adult supervision.



## Battery Installation for the Infrared Transmitter





# Top Secret Plans

## Fiber Optics

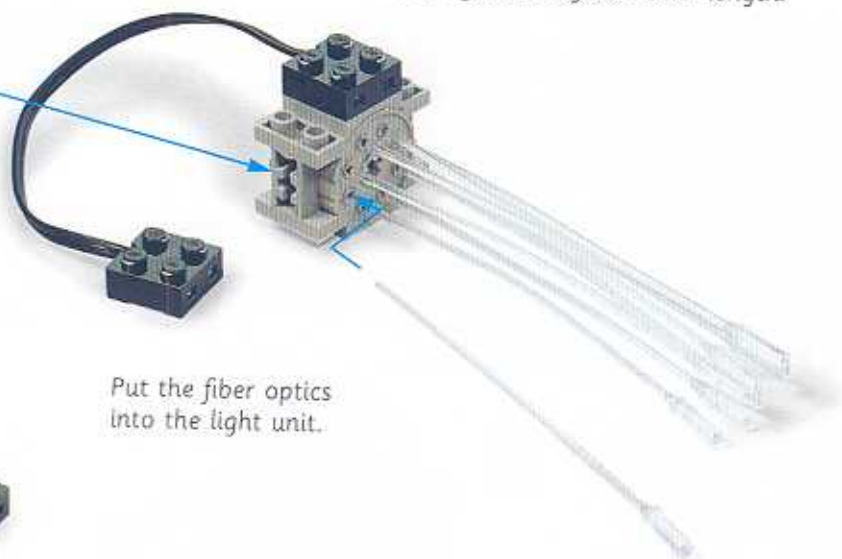
Use fiber optic strands to create creatures with flashing lights.

### How fiber optics work.

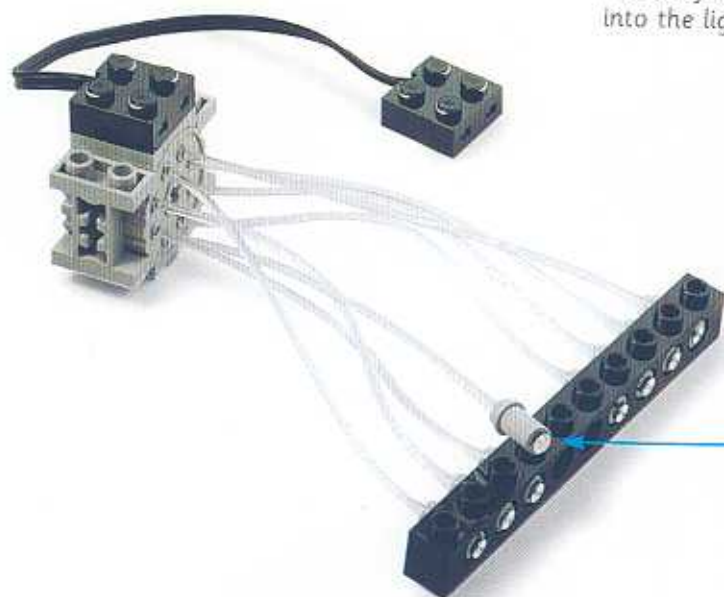
Fiber optics are thin transparent plastic fibers that transmit light throughout their length.

### Light unit

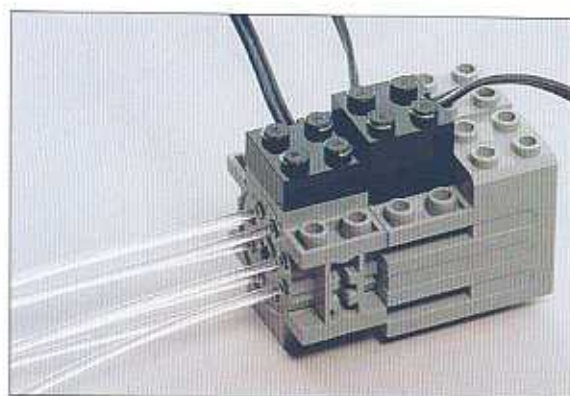
The light unit has one "light bulb" and must be rotated to get light into all the different fiber optics.



Put the fiber optics into the light unit.



Use the gray half-connector peg to hold the fibre optics in place.

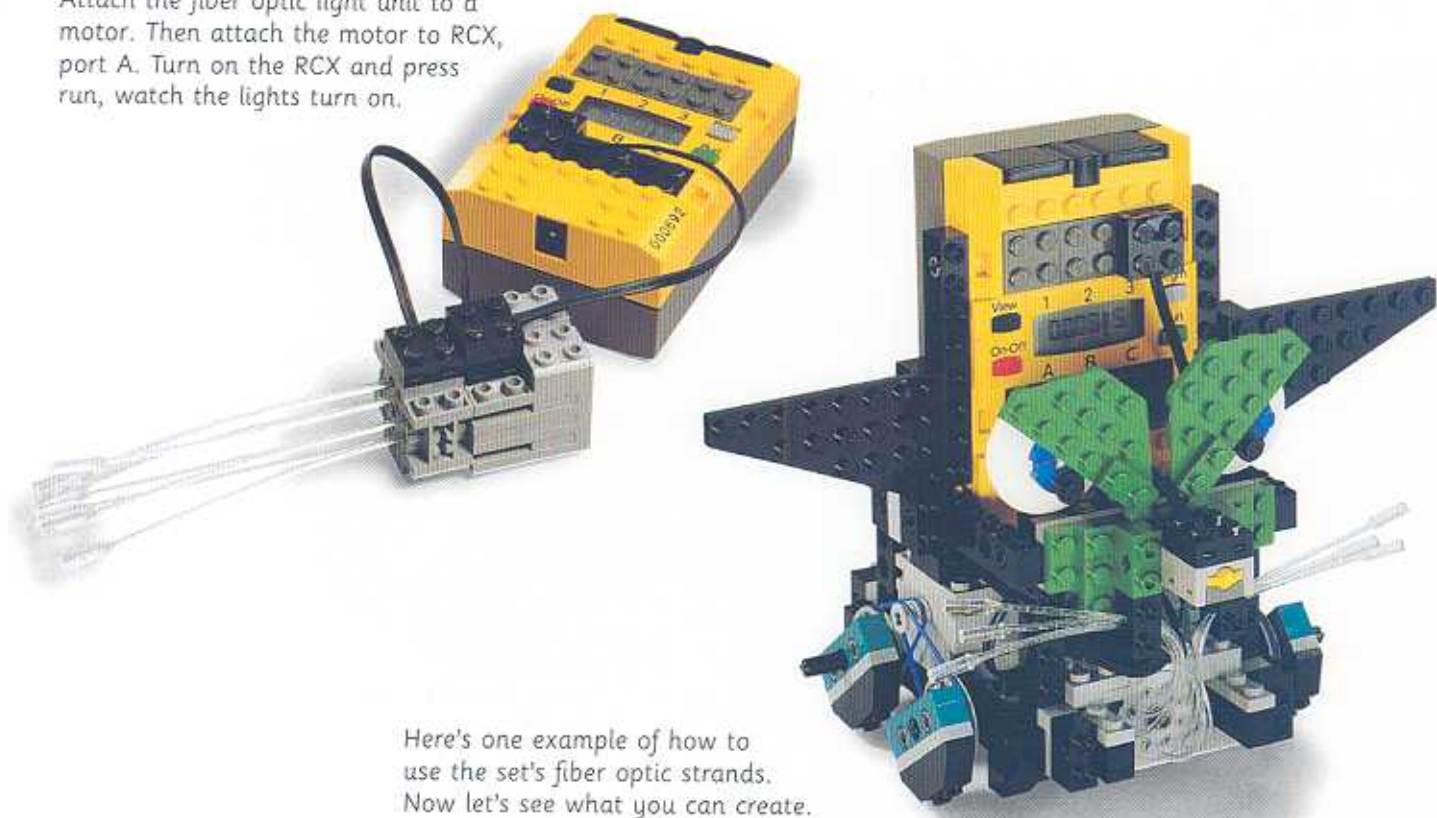


Attach the fiber optics unit to the motor.



Use a motor to power the wheels and the fiber optics.

Attach the fiber optic light unit to a motor. Then attach the motor to RCX, port A. Turn on the RCX and press run, watch the lights turn on.

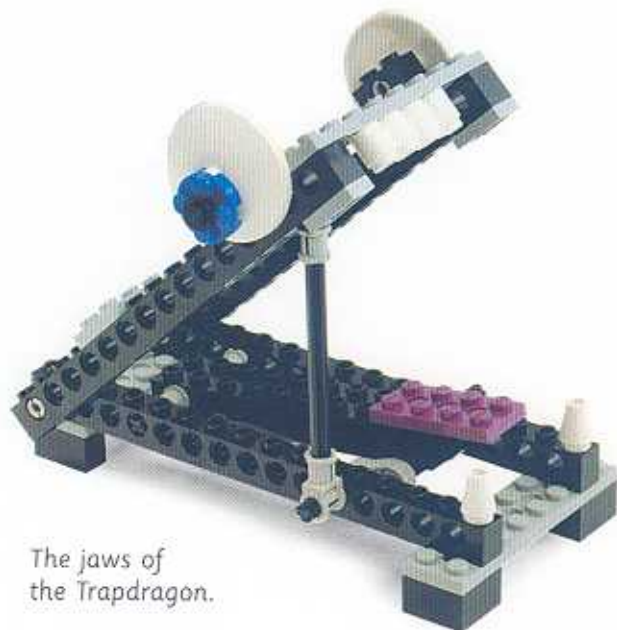


Here's one example of how to use the set's fiber optic strands. Now let's see what you can create.

## Using hinges for action



A catapult

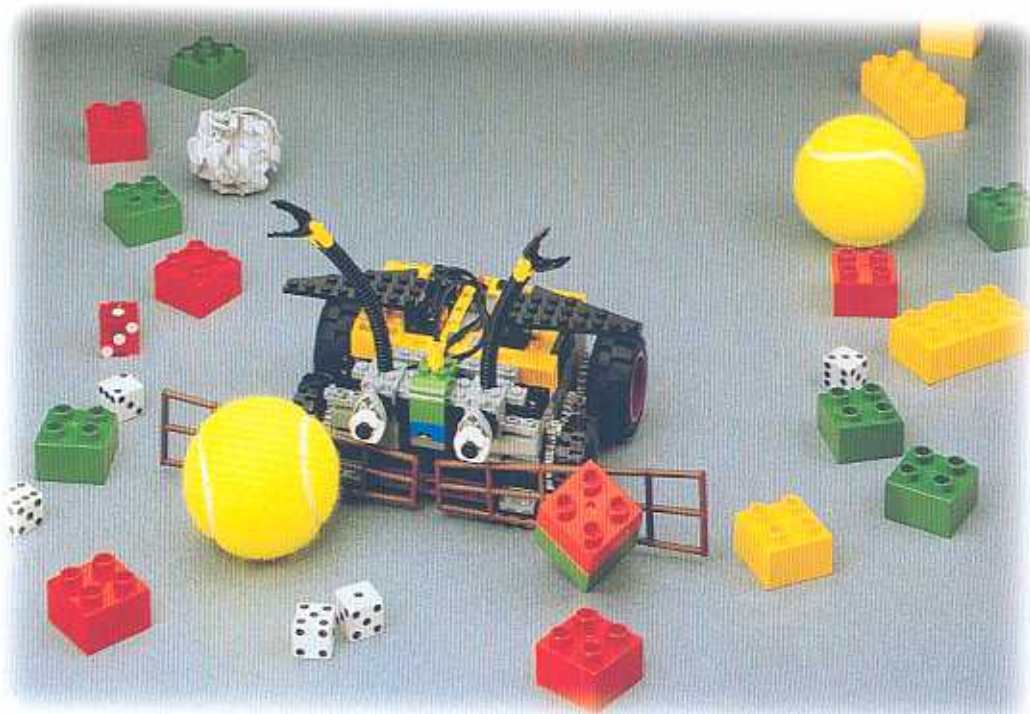


The jaws of the Trapdragon.

# Top Secret Plans



Testing a Stegoclubber



Testing a Triceradozer

# Parts Identification

