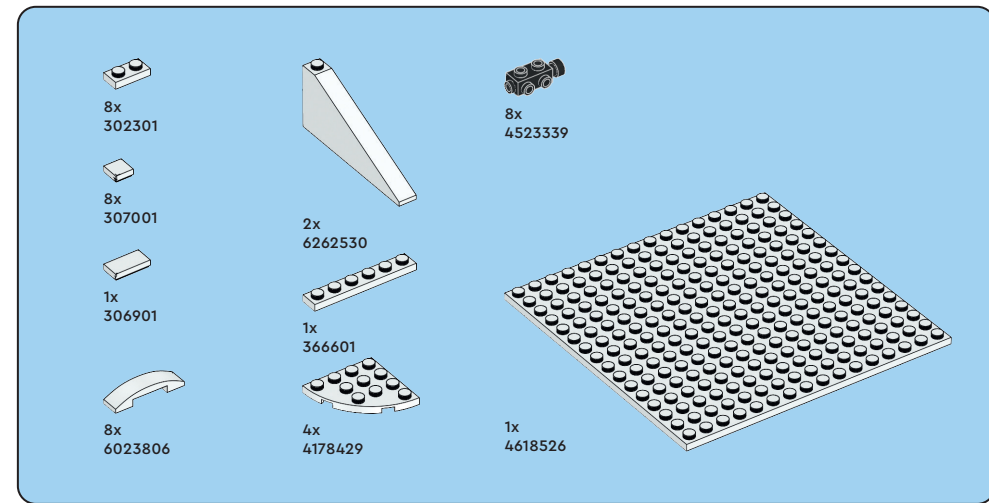
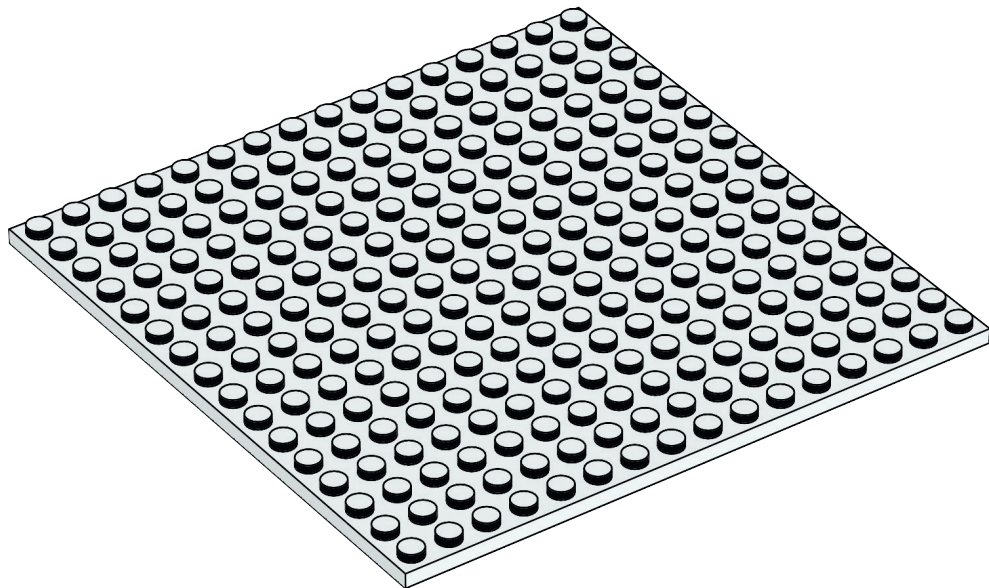


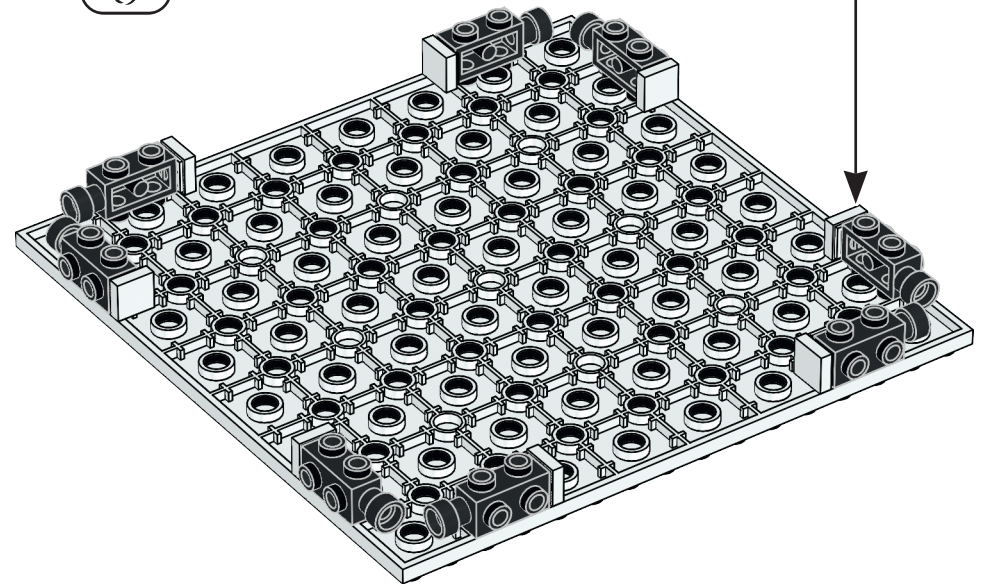


6+

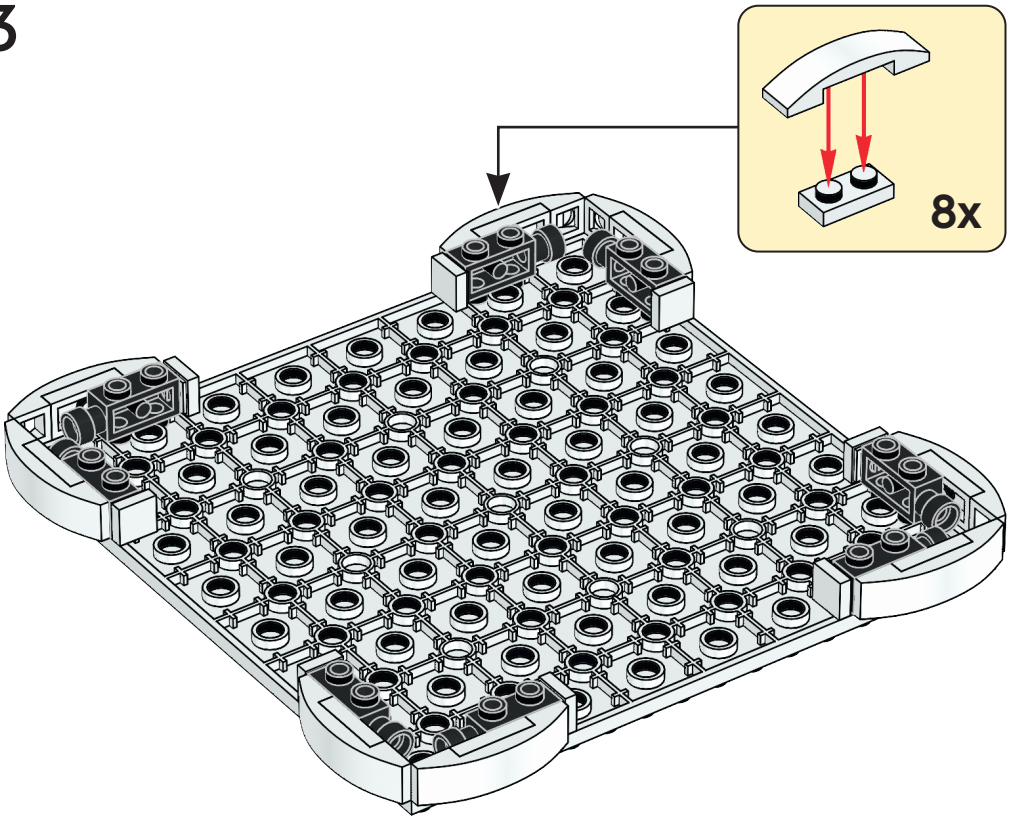
1



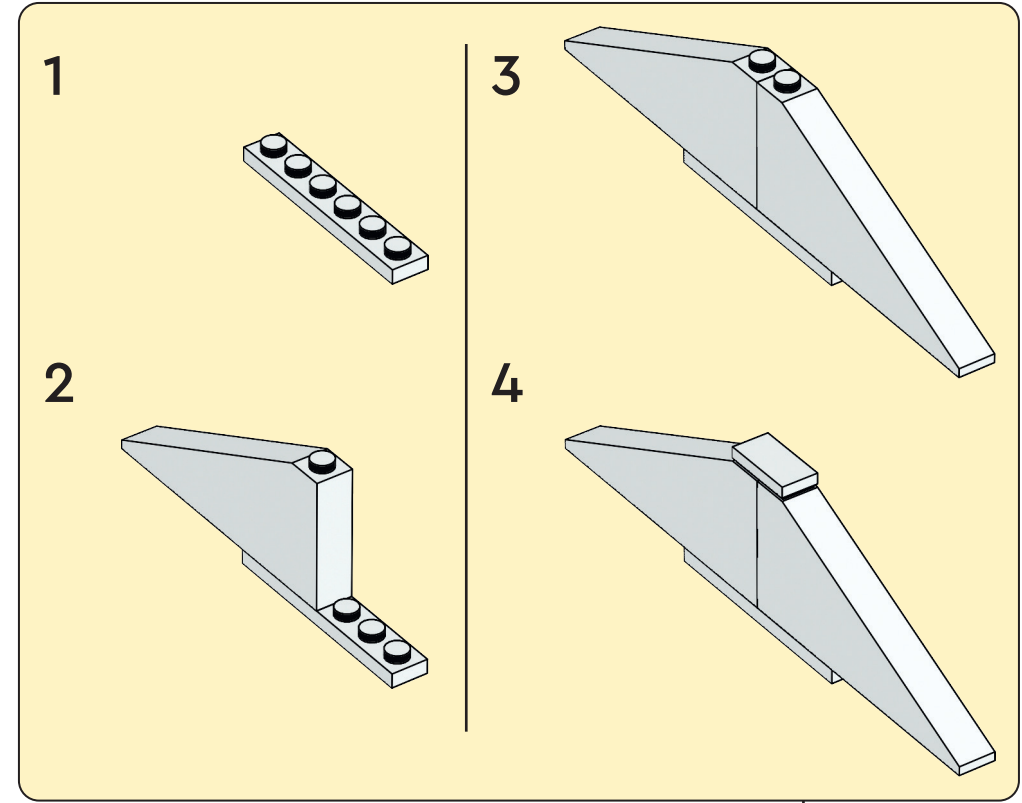
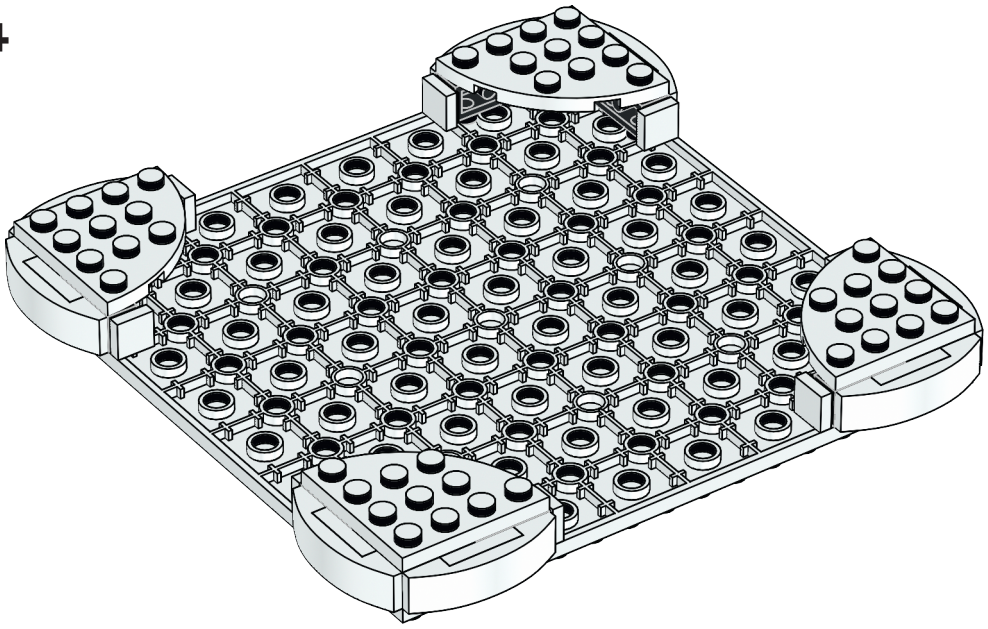
2



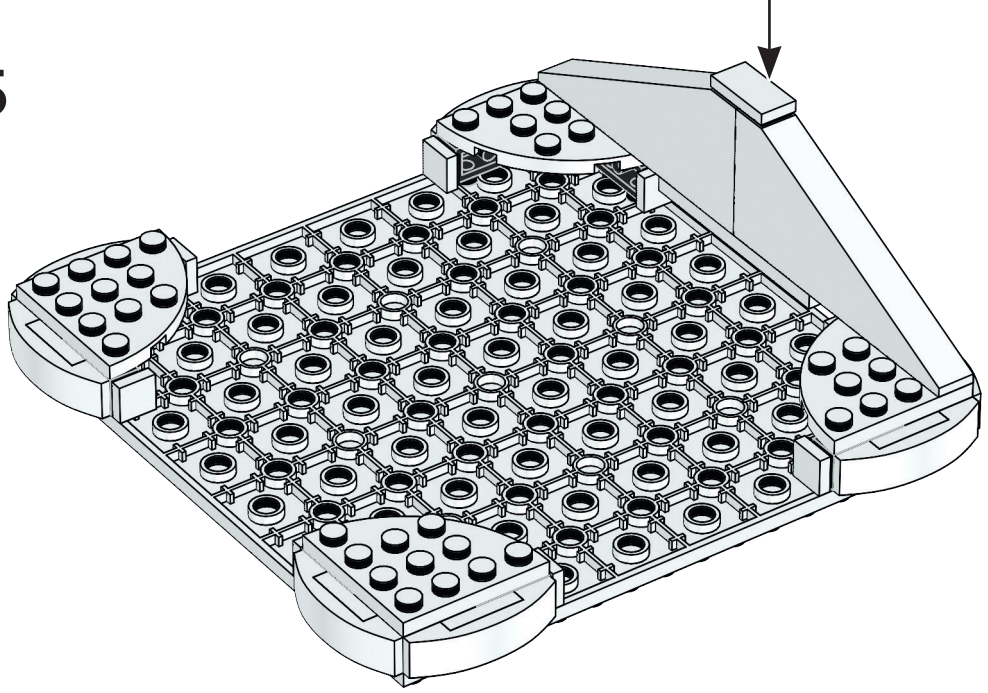
3



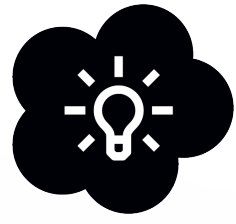
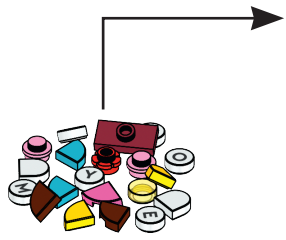
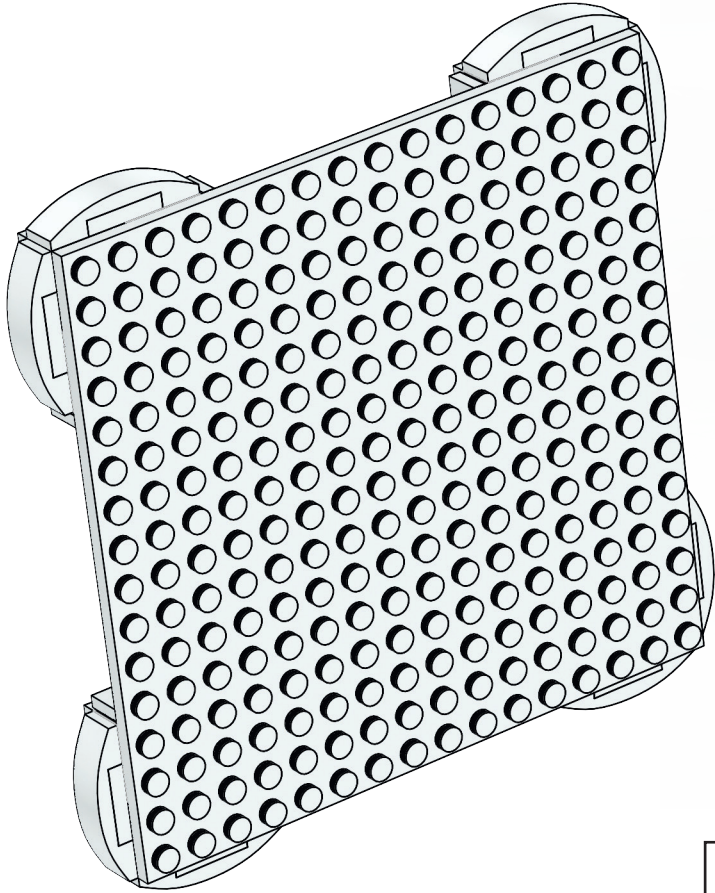
4



5



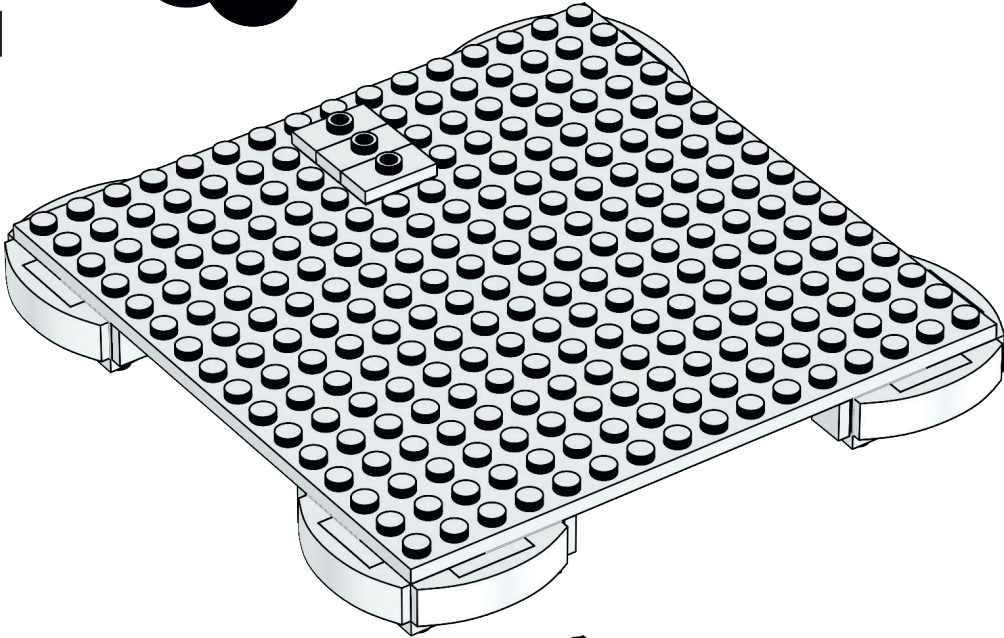
6



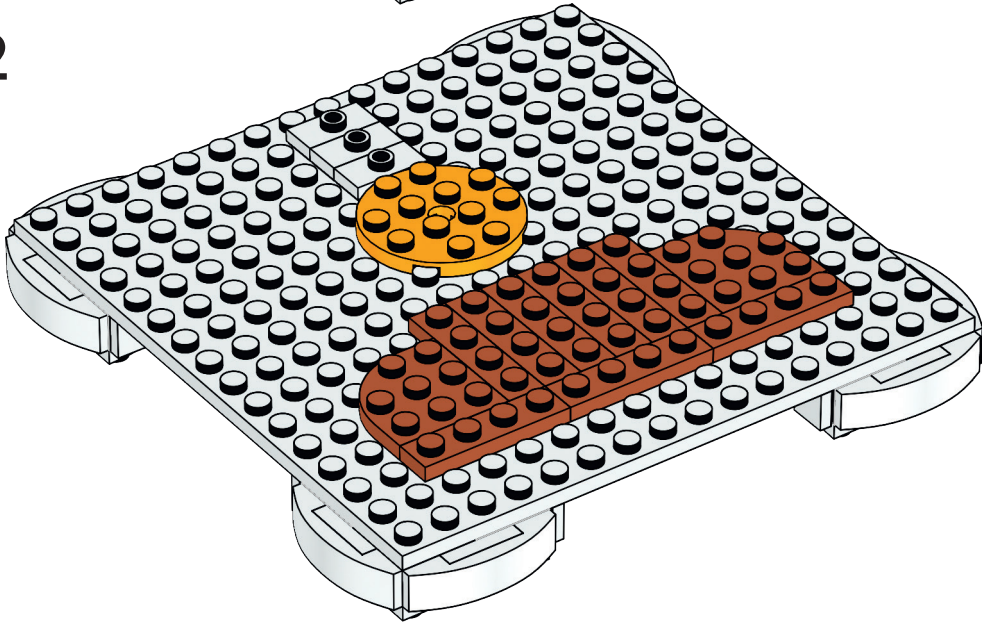


| | | | | | | | | |
|---------------|----------------|---------------|---------------|---------------|--------------|---------------|---------------|---------------|
| 5x 6206148 | 3x 6199887 | 2x 6359697 | 1x 6274740 | 3x 6051511 | 8x 307001 | 2x 6149677 | 1x 6115115 | 1x 4649741 |
| 3x 6195183 | 15x 6150307 | 9x 6074892 | 3x 6092597 | 8x 6250591 | 5x 403201 | 3x 6240462 | 3x 4517996 | 1x 6138571 |

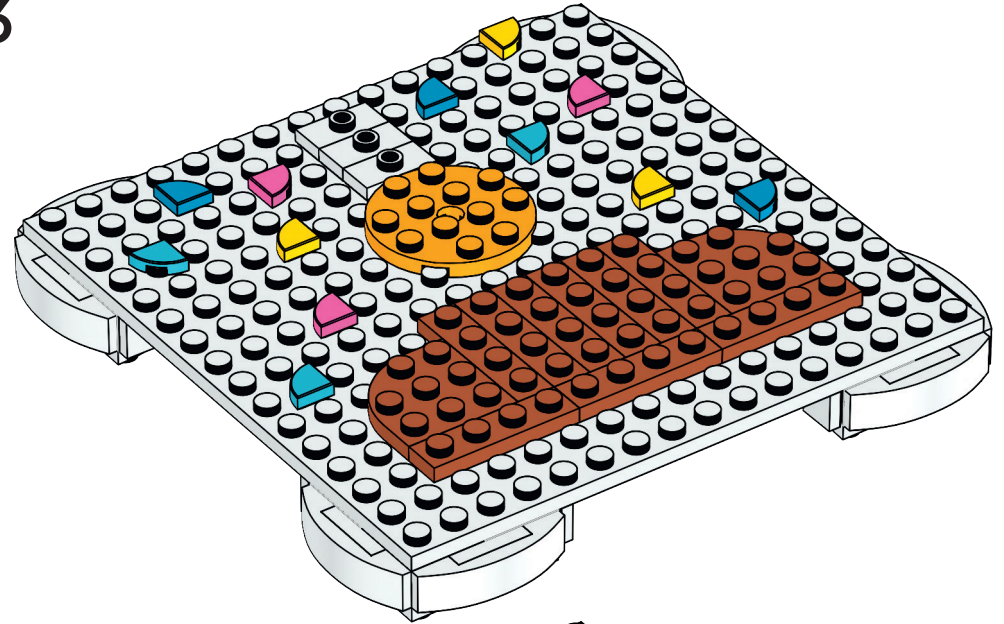
1



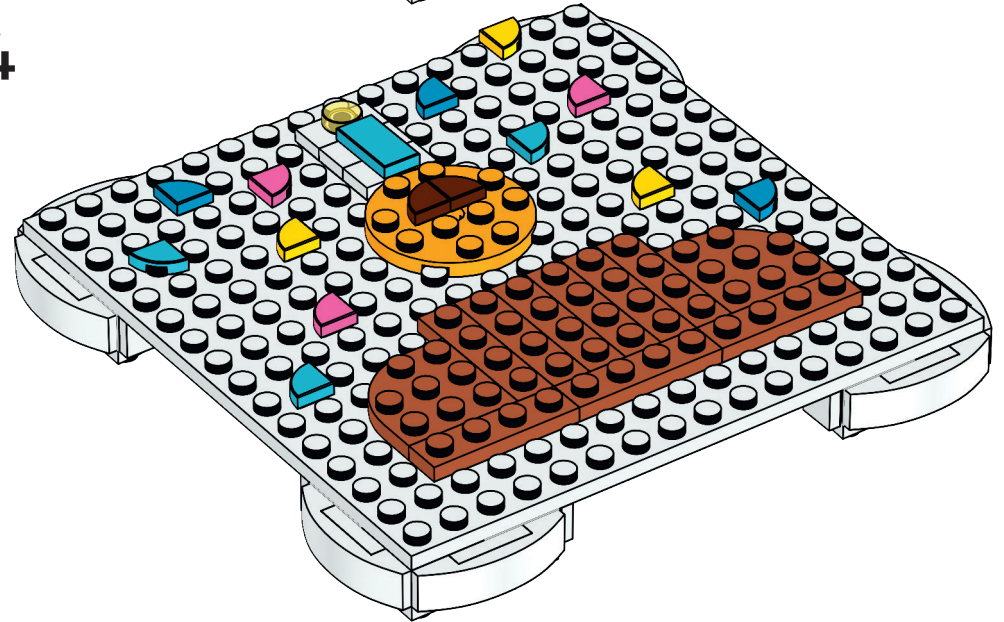
2



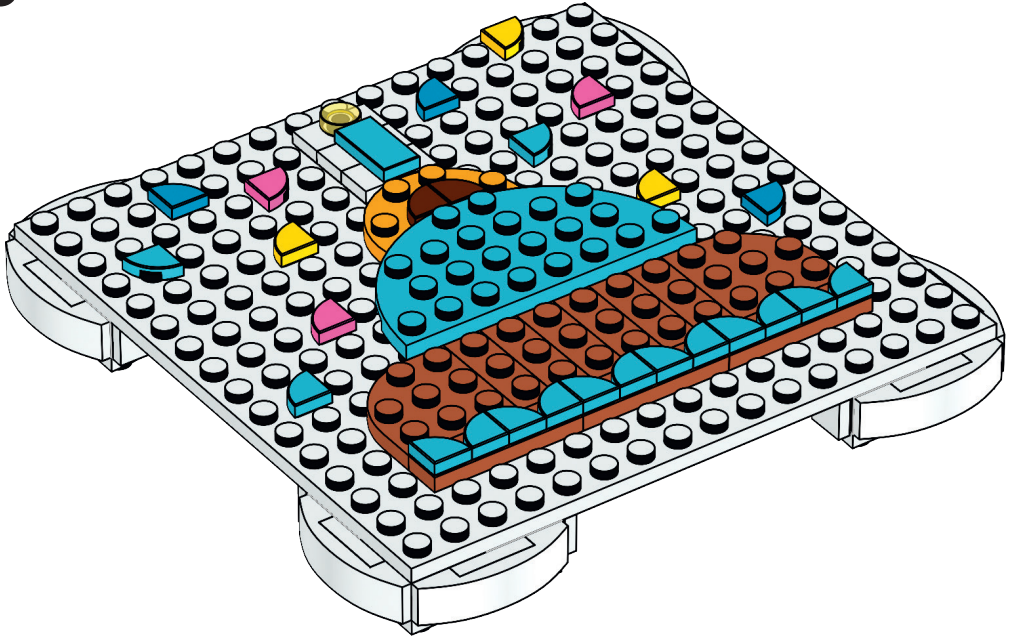
3



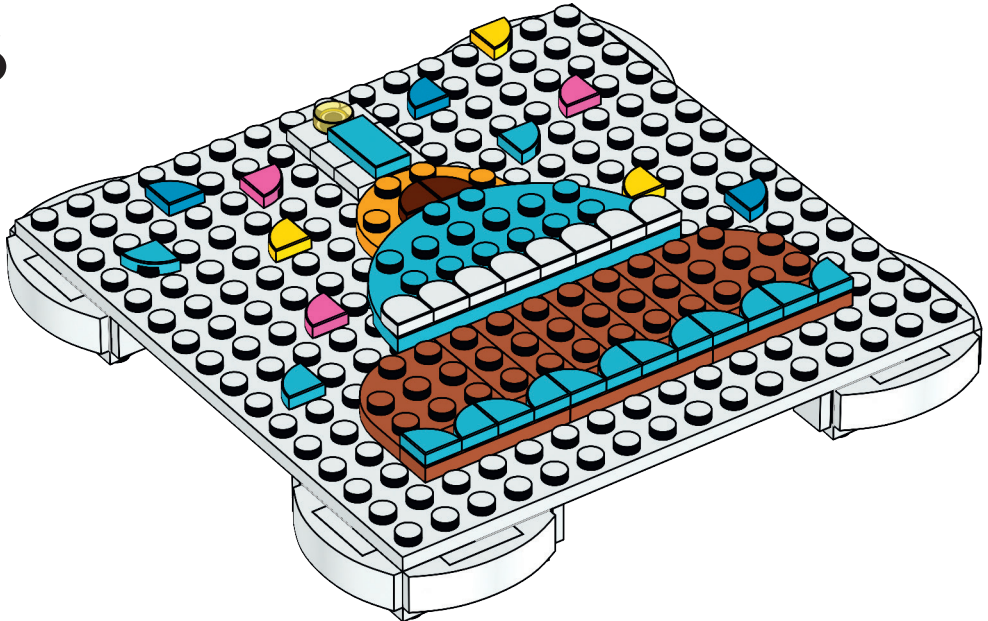
4



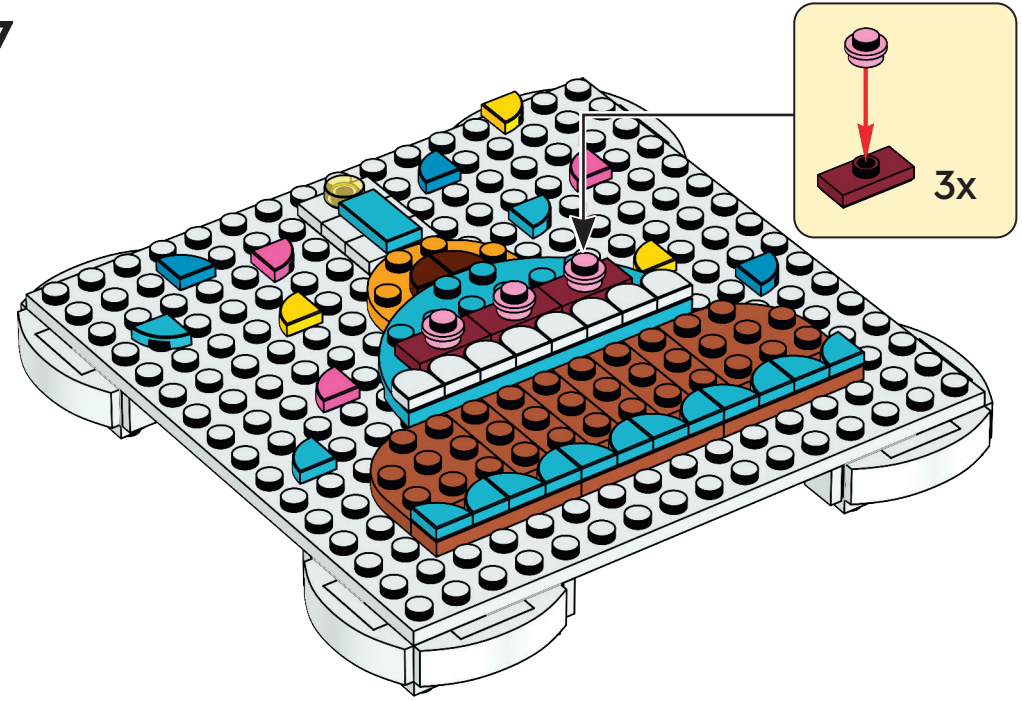
5



6



7



8

