



EXCLUSIVE  
**SNEAK  
PREVIEW  
ISSUE!**

THE  
**MAGAZINE**



COMIC



COOL CREATIONS



ACTIVITIES



POSTERS

JULY - SEPT | 2019



# TRACER vs. WIDOWMAKER!



## TRACER

REAL NAME: Lena Oxton

OCCUPATION: Adventurer

BASE OF OPERATIONS: London, England

ABILITIES/WEAPONS:

Pulse Pistols, Blink (teleportation power), Recall (time travel ability), Pulse Bomb



## WIDOWMAKER

REAL NAME: Amélie Lacroix

OCCUPATION: Assassin

BASE OF OPERATIONS: Annecy, France

ABILITIES/WEAPONS:

Widow's Kiss sniper rifle, Grappling Hook, Venom Mine, Infra-Sight



Apple



Guitar



Map



Helmet



Goggles

Bunny



Radio

Fishing Pole



Carrot

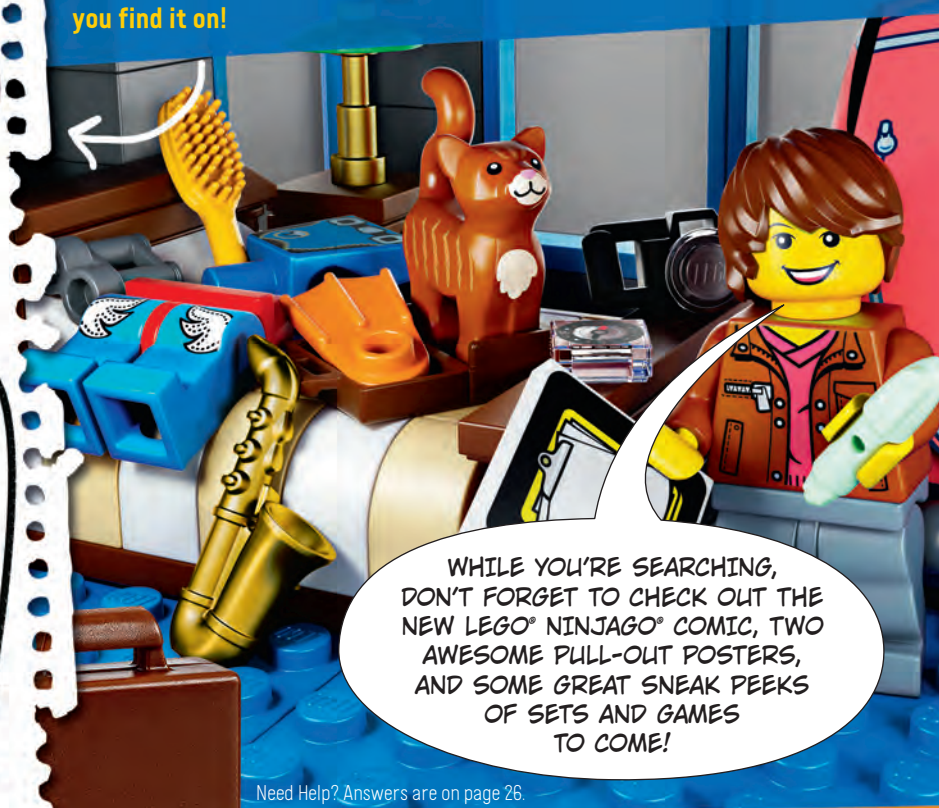


Skateboard



## Hi, it's Max!

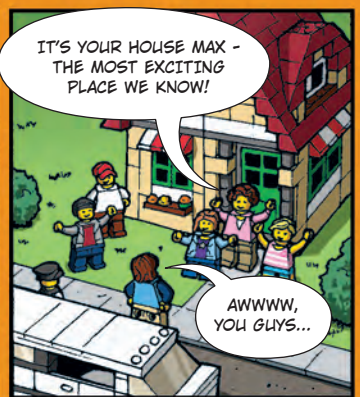
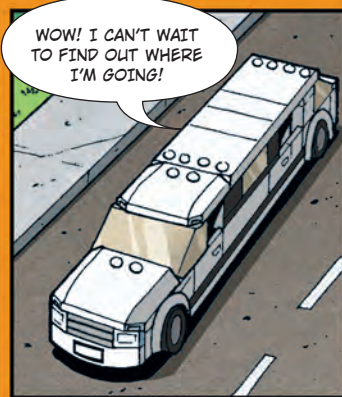
I'm packing for my big vacation. I have almost everything I need - sunglasses, sunscreen, scarf, mittens, lots of LEGO® bricks and a cow... you never know what you might need, hey! But I am missing some stuff! Look through the magazine and write down the page number you find it on!



WHILE YOU'RE SEARCHING, DON'T FORGET TO CHECK OUT THE NEW LEGO® NINJAGO® COMIC, TWO AWESOME PULL-OUT POSTERS, AND SOME GREAT SNEAK PEEKS OF SETS AND GAMES TO COME!

Need Help? Answers are on page 26.

## MAX COMIC



## LOOK!

Look for these icons on activity pages. They will tell you if the activity is easy, hard, or somewhere in between.



LEGO® Life Magazine  
For information about LEGO® Life visit [LEGO.com/life](http://LEGO.com/life)

For questions about your membership visit [LEGO.com/service](http://LEGO.com/service) or call 1-877-518-5346

PO Box 1138  
Enfield, CT  
06082

PO Box 600  
Markham, ON  
L3R 8G8



INSIDE A MIGHTY PYRAMID,  
AN ANCIENT POWER,  
ASPHEERA, HAS AWAKENED...

KA-BOOM!

FOR TOO LONG,  
I HAVE BEEN  
TRAPPED IN THIS COLD,  
DARK PLACE...

AND SHE WILL BE FREE!

**COLOR THIS COMIC!**  
You can use whatever colors you choose  
to bring the ninja's new adventure to life!

**ASPHEERA RISES!**

I WILL FIND THE ONE  
WHO BETRAYED ME.  
I WILL HAVE  
MY REVENGE!

KRA-KA-KAMMM!

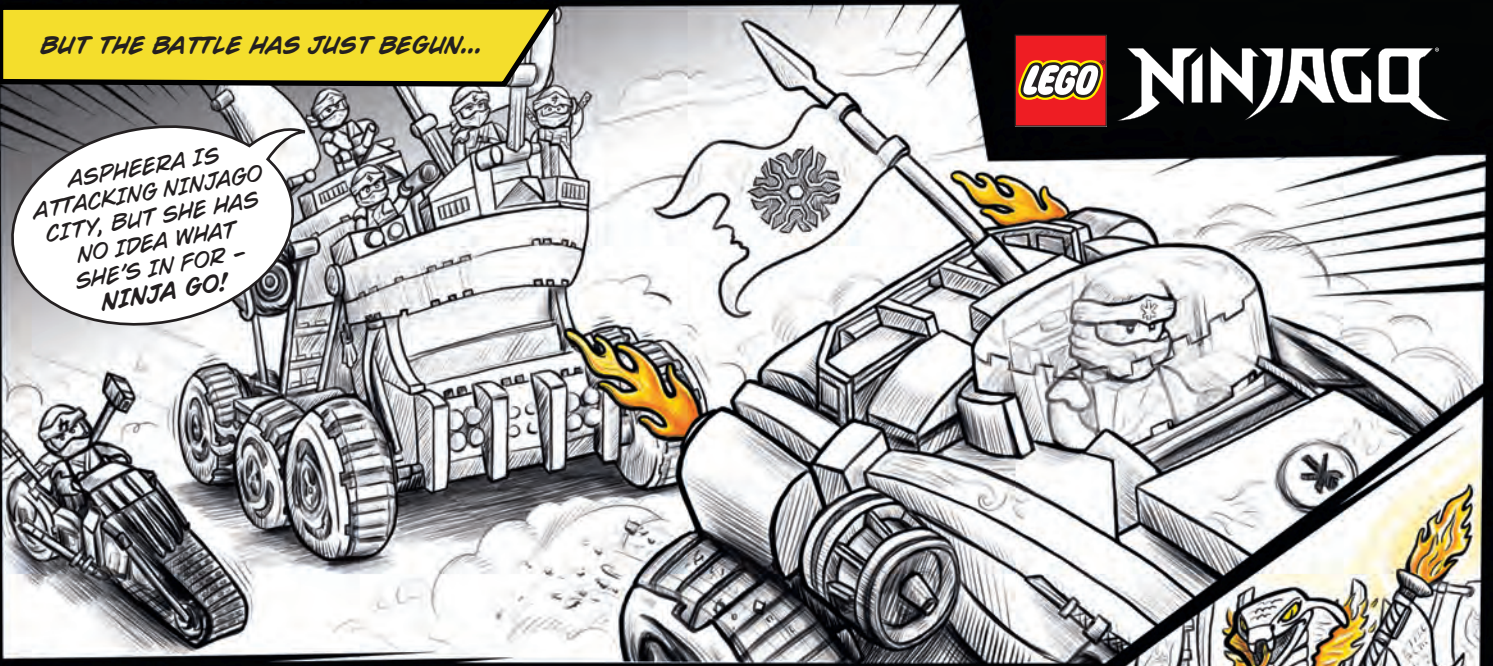
ON TO  
NINJAGO CITY!

"COME FORTH, FIRE FANG,"  
SHOUTS ASPHEERA.

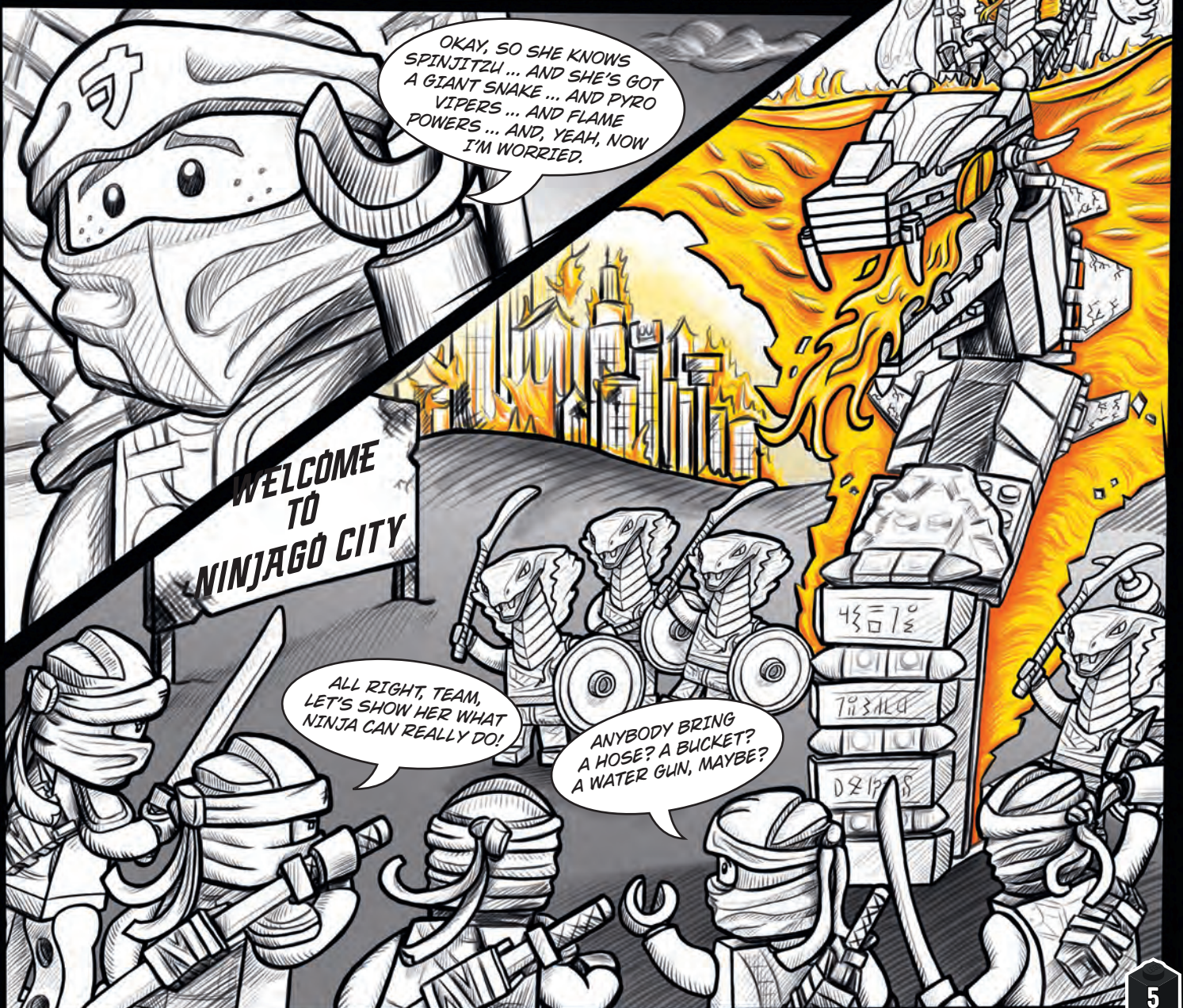


BUT THE BATTLE HAS JUST BEGUN...

ASPHEERA IS ATTACKING NINJAGO CITY, BUT SHE HAS NO IDEA WHAT SHE'S IN FOR - NINJA GO!



OKAY, SO SHE KNOWS SPINJITZU ... AND SHE'S GOT A GIANT SNAKE ... AND PYRO VIPERS ... AND FLAME POWERS ... AND, YEAH, NOW I'M WORRIED.



WELCOME TO NINJAGO CITY

ALL RIGHT, TEAM, LET'S SHOW HER WHAT NINJA CAN REALLY DO!

ANYBODY BRING A HOSE? A BUCKET? A WATER GUN, MAYBE?



# DISCOVER NINJAGO® SECRETS!

Excited about the new LEGO® NINJAGO® story? Want to know more? Use the NINJAGO language below to decode the message and discover amazing secrets!



1. Forbidden Spinjitzu was created by \_\_\_\_\_

≋0甘 7\Aƒ≋

ƒƒ\ƒ7\≋A ƒXƒ≋甘A

2. The Scroll of Forbidden Spinjitzu can increase the user's power to the extreme, but also \_\_\_\_\_ them.

介A入Aƒƒ≋

3. Aspheera wants revenge on \_\_\_\_\_

≋0甘 ≋A甘X介0甘Aƒƒ

ƒ甘介甘\ƒ甘A

4. Aspheera was imprisoned for a thousand years in a \_\_\_\_\_

ƒ1Aƒƒƒƒ

5. Her prison was located deep in the \_\_\_\_\_

ƒ甘ƒ甘A≋ ƒ7 ƒƒƒƒ

6. The ninja's headquarters is the \_\_\_\_\_ of Spinjitzu.

ƒƒƒƒƒ≋甘A1

NINJAGO®  
LANGUAGE

X	カ	介	ƒ	甘	7	0	
A	B	C	D	E	F	G	
0	1	7	*	ƒ	ψ	ƒ	
H	I	J	K	L	M	N	
ƒ	ƒ	ƒ	ƒ	ƒ	ƒ	ƒ	
O	P	Q	R	S	T	U	
V	W	X	Y	Z			

Stumped?  
Check out the answers on page 26.



# Meet the BIGFIGS!

They are big and tough and ready for adventure play or display. But can they solve this 3D word search before you do?

See if you can find all the Minecraft™ words in the puzzle!



## FIND THESE WORDS!

- ALEX
- ~~CUBE~~
- STEVE
- HELMET
- SWORD
- PICKAXE
- MINECRAFT
- CHICKEN
- DIAMOND
- MAGMA
- PARROT
- SKELETON

Answers on page 26.

Knight Risky Pumpkin



**BIGFIG BONUS!**

Here's another idea for something fun you can do with your Minecraft™ Bigfigs!

The figures are easy to bring along. Take them outside or around the house to get pictures of them in action in the real world.





# SUPER SPIDER-MAN SUDOKU!

The amazing Spider-Man's latest movie adventure takes him "Far From Home" for all-new action. Have an adventure of your own with this fun Spider-Man picture puzzle.



**ALL  
NEW!**

7	4	2	3
3	2	1	3
2	1		2
	4		

## HOW to SUDOKU:

Each of the numbers 1, 2, 3, and 4 should appear **ONLY ONCE** in each column and row. We put a few in place to get you started, and completed the first row. Spin your web and let's get going!

Answers on page 26.



**MARVEL**  
**SPIDER-MAN**  
*Far From Home*

TM & © 2019 Marvel and subs  
© 2019 CPII



# RULE THE ROAD

## WITH THE TECHNIC 4x4 X-TREME OFF-ROADER!

Connect your Off-Roader to your smart device by using the LEGO Technic Control+ app and use the in-app control screens to drive and maneuver your vehicle! Plus, take the quiz below to see what kind of driver YOU are!

ALL  
NEW!

LEGO  
TECHNIC



LEGO TECHNIC  
**CONTROL+**

### DISCOVER YOUR DRIVING STYLE

1. What is the most important part of a car?
  - a. The speed!
  - b. The tech!
  - c. The design!
2. What kind of roads do you like to drive on?
  - a. Nice and flat so I can race
  - b. A wide road with lots of street lights
  - c. Beautiful countryside roads with nice scenery
3. Pick a cool feature you would want to add to your car:
  - a. Rocket boost engines
  - b. Indestructible wheels
  - c. Blue and orange flames painted on the side
4. What's the perfect driving music?
  - a. Rock & Roll
  - b. Techno
  - c. Hip Hop

MOSTLY A'S  
THE SPEEDSTER

MOSTLY B'S  
FUTURISTIC  
DRIVER

MOSTLY C'S  
SUPER STYLE  
ROLLER

You're the fastest car on any street, and the most talented driver in any race! Don't forget to brake!

Your car has all the latest technological advancements... soon your car will drive itself!

Everyone loves your sleek ride with the awesome paint job! Make sure you dress up to match!



# LET'S GO GHOST HUNTING!

Newbury is haunted! Ghosts, ghouls, and spooky spectres are on the loose, but Parker and Jack are ready to track them down! Grab your smart device to hunt for ghosts with them and check out these tips on catching ghosts!

Need Help? Answers on page 26.



Three circular frames containing ghost images for a counting game. Each frame has a white circle next to it for writing the answer.

- Left frame: A blue ghost with a wide, toothy grin.
- Middle frame: A yellow ghost with a mischievous expression.
- Right frame: A pink ghost with a neutral expression.

 **HOW MANY GHOSTS CAN YOU COUNT?**

Write the number in the circle.

## GHOST HUNTING TIPS!

• Ghosts are easily distracted by cartoons. Turn on the TV, and then sneak up from behind to catch them!

• Ghosts sometimes leave a trail of ectoplasm behind them...be careful not to step in it!

• Always bring a friend and a flashlight when you head out to look for ghosts.

• Most ghosts hate salty food, so surround yourself with potato chips if you find yourself in a haunted house with no escape!





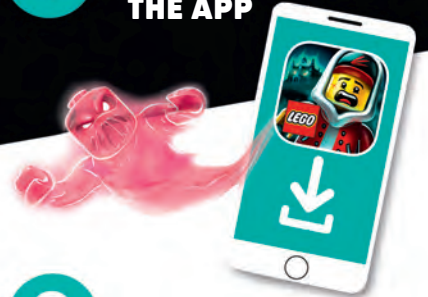
# HIDDEN SIDE

ALL  
NEW!

## DARE TO EXPLORE THE HIDDEN SIDE™!

Join Parker and Jack and save Newbury from ghosts! Build the sets, download the app, and start your ghost hunting adventure!

### 1 DOWNLOAD THE APP



### 2 BUILD THE SET



### 3 EXPLORE THE HIDDEN




### 4 CATCH THE GHOSTS





# TOY TROUBLE!

Jessie and her friends from Toy Story 4 are camping at Grand Basin. Things are kind of crazy at the campsite!

 Circle SIX things that are silly in this scene.

Need Help? Answers on page 26.

FIND THE MISSING TIRE TOO!



©Disney/Pixar

# ALADDIN'S AND JASMINE'S SPECIAL DAY

Jasmine and Aladdin are taking a magical trip on the flying carpet.

 Fill in the missing words below using the suggestions we have given you to complete the story!



Jasmine and Aladdin were out for a \_\_\_\_\_ on the flying carpet. "Where are we \_\_\_\_\_?" asked Aladdin. "I don't know," said Jasmine. "My father said we should \_\_\_\_\_." Together, they flew over \_\_\_\_\_ and \_\_\_\_\_ until they came to a mountaintop. Aladdin and Jasmine saw a table covered with \_\_\_\_\_ and other things they loved to eat. They felt \_\_\_\_\_. The Sultan and all their friends were \_\_\_\_\_. "Surprise!" they yelled. "\_\_\_\_\_ your present!" Aladdin and Jasmine tore off the wrapping paper to reveal the biggest \_\_\_\_\_ they ever saw! Then everyone had a \_\_\_\_\_ picnic together.

©Disney





CREATE. SAVE. CARE.

I will do MY BEST to  
**LOVE & PROTECT THE SEA**  
and **ALL THE LIFE**

inside it.





CITY



CELEBRATING  
**THE 50<sup>TH</sup>** ANNIVERSARY  
**OF THE APOLLO 11**  
**MISSION**

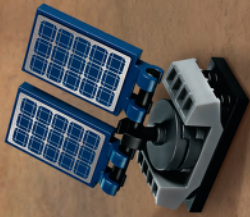




• Apollo 11 landed on the moon on July 20th, 1969.

• Neil Armstrong and Buzz Aldrin were the first astronauts to walk on the moon.

• The Apollo 11 crew spent 8 days in space before returning to Earth.





# SEA LIFE RESCUE



Friends™







# Harry Potter



# LEGO® HARRY POTTER™ TRIVIA QUIZ!

Celebrate the new LEGO® Harry Potter™ Hagrid's Hut set with this fun trivia quiz, based on the movie Harry Potter and the Prisoner of Azkaban. How well do you know the Harry Potter universe? Take this quiz and find out!



- 1 What kind of creature is Buckbeak?  
*A HIPPOGRIFF*
  - 2 Who escaped from Azkaban™ Prison?
  - 3 What did Harry and Hermione use to go back in time?
  - 4 Who sentenced Buckbeak to death?
  - 5 Who cast a Patronus spell to save Harry Potter from the Dementors™?
- ★ **Extra Credit:** What class was Hagrid™ teaching?

Need Help? Answers on page 26.



HARRY POTTER characters, names and related indicia are © & ™ Warner Bros. Entertainment Inc. WB SHIELD, © & ™ WBEI. WIZARDING WORLD trademark and logo © & ™ Warner Bros. Entertainment Inc. Publishing Rights © JKR. (\$19)



# BUILD THE GREATEST LEGO® STAR WARS™ BATTLES

The *Star Wars*™ saga is famous for its amazing battles! But the greatest battles are the ones built by YOU using your LEGO® *Star Wars* collection. Here are just a few of the vehicles that have been a part of famous *Star Wars* battles.

## CLONE SCOUT WALKER™

This four-legged battle machine was used by clone troopers during the Clone Wars. The *Star Wars* universe is packed with many exciting vehicles and ships. Can you unscramble the names of these famous examples?



**UNSCRAMBLE!**

ASTR YODSERTER

\_\_\_\_\_

LVEASI

\_\_\_\_\_

GIYNW

\_\_\_\_\_

GINXW

\_\_\_\_\_

LIEMNNMULI LCFNOA

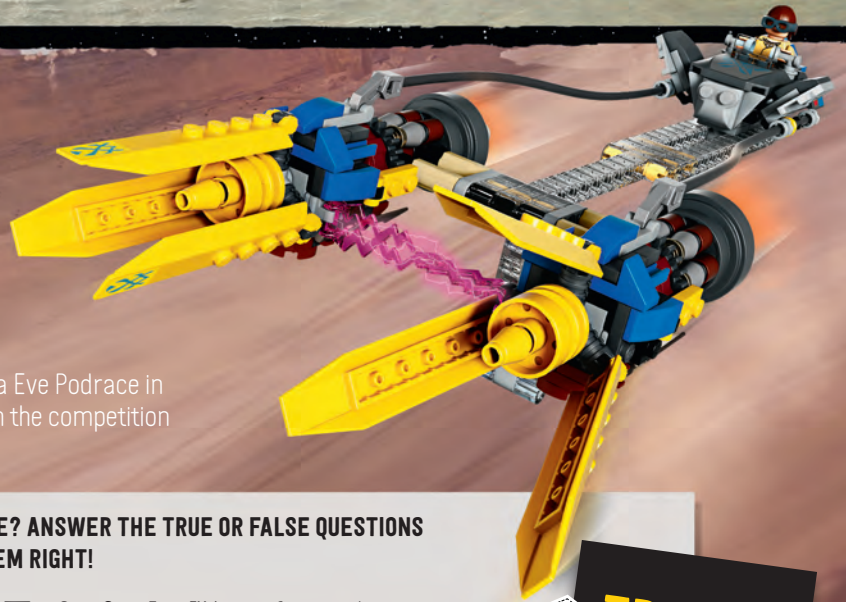
\_\_\_\_\_

AHDET RTAS

\_\_\_\_\_

## ANAKIN'S PODRACER™

Anakin Skywalker™ had to give it his all in the Boonta Eve Podrace in *Star Wars: The Phantom Menace*. Could a human win the competition or would Sebulba take the honors again?



HOW MUCH DO YOU KNOW ABOUT THIS CLASSIC SCENE? ANSWER THE TRUE OR FALSE QUESTIONS BELOW, THEN CHECK PAGE 26 TO SEE IF YOU GOT THEM RIGHT!

1. **T F** R2-D2™ built Anakin's podracer.
2. **T F** The Boonta Eve Podrace was held on Tatooine™.
3. **T F** Qui-Gon Jinn™ lost a fortune betting against Anakin.
4. **T F** Anakin won his freedom in the Boonta Eve Podrace.



**TRUE OR  
FALSE?**





# SLAVE I™

The appearance of *Slave I*™, ship of bounty hunter Boba Fett™, was enough to strike fear into anyone's heart. If the *Slave I* was on your trail, you were as good as captured and frozen in carbonite.

## FIND-IT

FIND THE NAMES OF PLANETS AND MOONS FROM THE STAR WARS SAGA HIDDEN IN THIS PUZZLE:

E	U	F	Z	A	K	I	C	V	P	Z	B	A	K	C
W	P	K	U	L	Y	D	X	Z	H	E	R	F	P	K
D	T	A	T	D	U	G	Z	V	S	Y	J	L	H	P
O	W	G	Z	E	C	B	T	P	T	K	Y	P	A	Y
O	E	U	Q	R	E	O	I	N	O	X	F	R	B	Y
E	N	E	N	A	F	N	R	W	I	V	N	K	O	N
H	R	I	P	A	D	I	K	U	H	V	P	I	G	O
I	O	O	M	N	M	N	G	A	S	A	A	E	A	K
T	W	T	L	A	Y	M	T	H	O	C	P	Y	D	B
S	H	H	H	A	K	B	A	M	H	M	A	L	W	F
Y	O	X	Q	Q	D	T	A	T	O	O	I	N	E	P
X	Z	C	V	Z	F	N	P	K	K	K	N	T	T	M
M	V	I	S	S	V	C	A	Q	V	P	C	A	K	U
J	Y	X	N	D	X	G	B	M	P	R	O	X	G	D
U	J	V	T	E	S	I	S	O	N	O	E	G	J	D

- ALDERAAN
- CORUSCANT
- BESPIN
- DAGOBAH
- TATOOINE
- HOTH
- YAVIN
- GEONOSIS
- KAMINO
- MANDALORE



EACH SPECIAL LEGO® STAR WARS™ 20<sup>TH</sup> ANNIVERSARY SET INCLUDES AN EXCLUSIVE REPLICA OF A CLASSIC LEGO MINIFIGURE



**DARTH VADER™**  
First LEGO appearance:  
7150 TIE Fighter™  
& Y-wing™ (1999)



**LUKE SKYWALKER™**  
First LEGO appearance:  
7140 X-wing Fighter™ (1999)  
& 7130 Snowspeeder™ (1999)



**PRINCESS LEIA™**  
First LEGO appearance:  
7190 Millennium Falcon™ (2000)





# SECRETS OF SEA ANIMALS!

Olivia, Mia and Emma are spending their summer helping to save sea creatures like the narwhal and sea lion. They have discovered a lot of interesting things about these animals, and now they would like to share them with you!



The narwhal is known as the 'unicorn of the sea' because of its terrific tusk!

## Narwhal

Narwhals are some of the world's best divers. They can reach depths of up to 4921 feet and stay down for up to 25 minutes!



## Sea Lions

Sea lions can be found in oceans around the world, except the Northern Atlantic Ocean.

Dolphins communicate with each other by making clicks, whistles and other sounds.

## Dolphins

Female dolphins are called cows, males are called bulls and young dolphins are called calves.



Turtles have been on Earth for over 200 million years.

## Sea Turtles

Sea turtles have special glands which remove salt from the water they drink.



### Help Save Sea Animals!

Did you know that you can help save the ocean and its creatures?



USE FEWER PLASTIC WATER BOTTLES AND PLASTIC STRAWS

HELP TO KEEP BEACHES CLEAN

USE REUSABLE BAGS

List **THREE THINGS** you think **YOU** could do to help save sea animals:

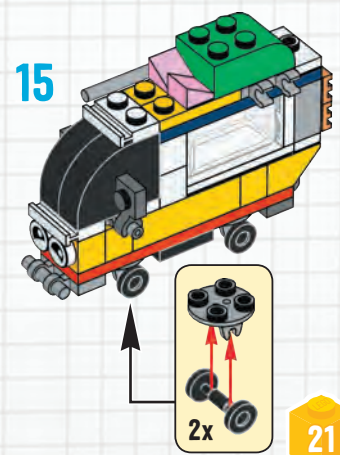
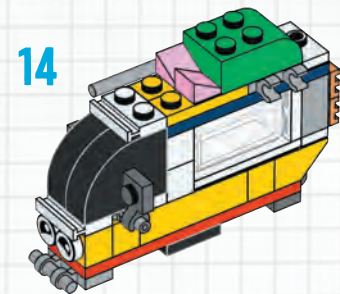
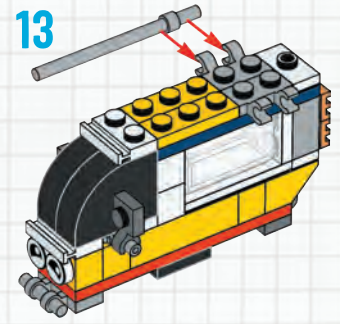
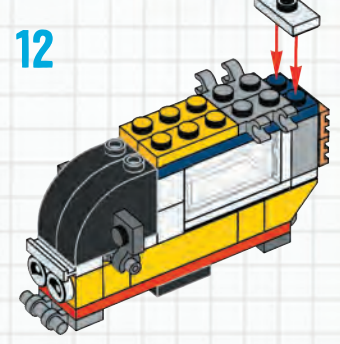
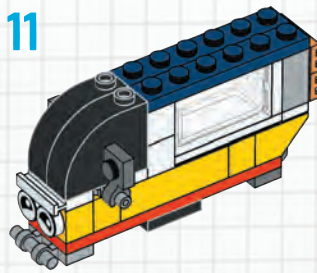
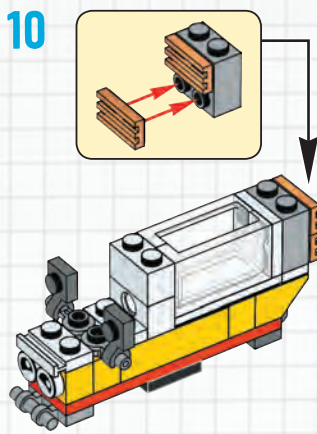
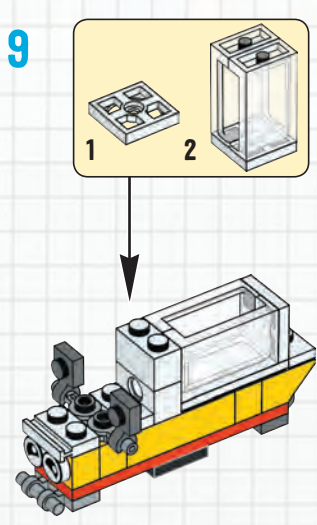
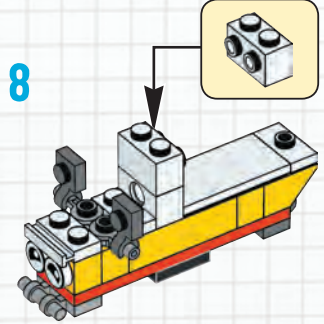
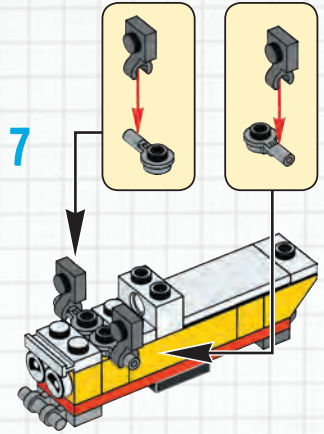
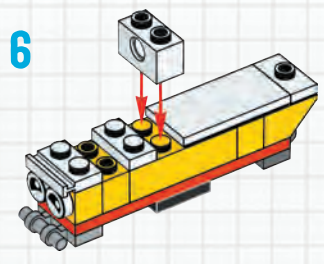
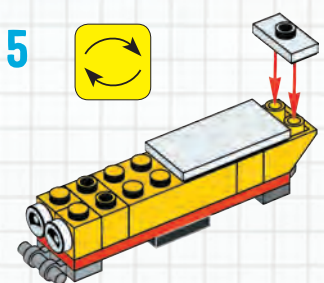
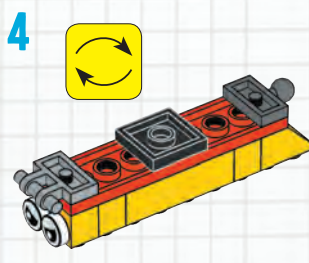
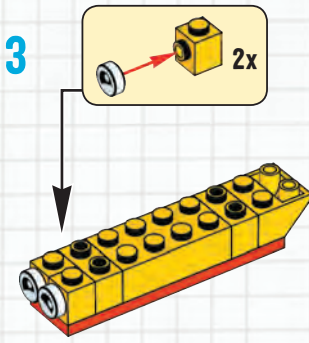
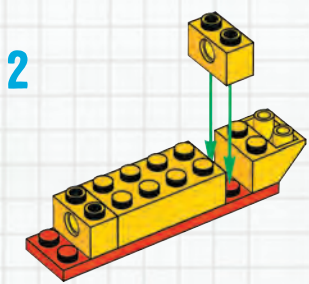
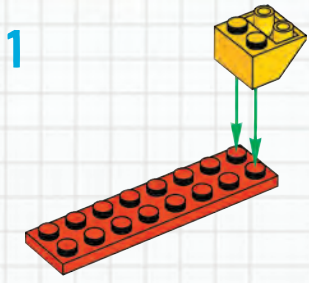
1. ....
2. ....
3. ....

You can make a difference!



# Build a Camper

Heading on vacation? Then you need a camper to get you there! You can build this vacation-mobile using pieces from the 11003 Bricks and Eyes set or your own LEGO® collection. Where will it take you? Wherever your imagination wants to go!

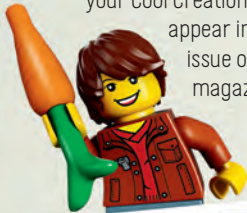




# COOL CREATIONS



Check out these awesome models made by kids like you from all around the world! Share what you've been building! Ask your parents to go to [LEGO.com/life](http://LEGO.com/life) and select "Magazine" to find out how you can send a photo of your model. It's easy and fun, and maybe your Cool Creation could appear in a future issue of the magazine!



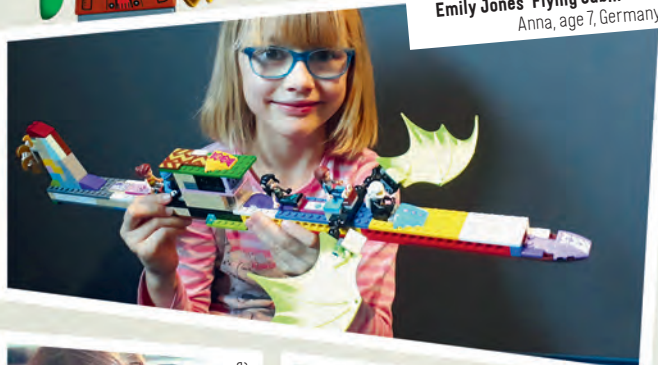
Minecraft™ World, Emil, age 7, Denmark



Footballer, Ellen, age 9, United States



Taxi Bus  
Tim & Tijn, age 7, Netherlands



Emily Jones' Flying Submarine  
Anna, age 7, Germany



My Cool LEGO® Airplane, Erik, age 6, Denmark



Picnic Area, Romane, age 7, France



The Claw Breaker  
Christopher, age 9, Australia



LEGO Apartment, Lucas, age 10 and Kayla, age 15, United States



House of the Future  
Veronique, age 8, Canada



Water Park  
Leni, age 7, Germany



1980's Cargo Ship  
Nicholas, age 8, Australia



LEGO® City, Arthur, age 7, France



Creeden Hotel  
Eden, age 10 and Cree, age 8, United Kingdom



Our Italian Restaurant  
Lise, age 9 and Caile, age 6, France



Fun Food Truck  
Summer, age 10, Canada



Skate Ramp Park  
Gokul, age 7 and Mitul, age 5, United States

LEGO City, Leon, age 7, Sweden



WHEN I DISCO DANCE, HERE, MY POPCORN GOES FLYING!



The Space Cinema Disco  
Leah, age 8, United Kingdom



The Dragon, Felix, age 6, Sweden



DID SOMEBODY SAY DRAGON? YIKES!



The Spaceship Base  
Paul, age 7, Canada



Dog House, Isabella, age 6, Denmark

My Ship  
Alex, age 10, Belgium



XXL LEGO Town  
Lucas, age 9 and Elisa, age 6, Netherlands



# BUILD YOUR OWN LEGO® TOWER!

There's a brand-new LEGO® mobile game coming soon where you can take your play higher until it touches the sky! LEGO Tower is a free game where you can build your own tower (bet you didn't see that coming!), unlock vehicles and missions and even trade minifigure elements with your friends.



**YOU CAN BUILD YOUR TOWER HOWEVER YOU LIKE. WE BUILT THIS ONE AND HID A BUNCH OF ITEMS INSIDE FOR YOU TO TRY AND FIND. READY? GO!**

Need Help? Answers are on page 26.

<input type="checkbox"/>		<input type="checkbox"/>	
<input type="checkbox"/>		<input type="checkbox"/>	
<input type="checkbox"/>		<input type="checkbox"/>	
<input type="checkbox"/>		<input type="checkbox"/>	
<input type="checkbox"/>		<input type="checkbox"/>	



RATING PENDING  
COTE EN ATTENTE

**RP**  
ESRB

Visit [esrb.org](http://esrb.org) for rating information  
Visiter [esrb.org](http://esrb.org) pour les classifications

LEGO and the LEGO logo are trademarks of the LEGO Group. ©2019 The LEGO Group. Apple and the Apple logo are trademarks of Apple Inc., registered in the U.S. and other countries and regions. App Store is a service mark of Apple Inc. Google Play and the Google Play logo are trademarks of Google LLC.

GET IT ON  
**Google Play**

Download on the  
**App Store**





# START YOUR ENGINES!

The Ferrari F40 Competizione, McLaren Senna and the Mini Cooper S Rally are ready to challenge each other in the LEGO® Speed Champions Ultimate Race.

Take on your friends in this exciting board game and see who is the fastest to the finish line!



\*Requires Xbox Forza Horizon 4 game and Forza Horizon 4 LEGO® Speed Champions expansion, both sold separately. Parent must have valid Microsoft Account



Officially licensed product by



## RULES OF THE ROAD



- 1 You will need a LEGO® brick as a playing piece and a dice.
- 2 Roll the dice to see who goes first. Highest number gets the first turn. That player rolls and moves the number of spaces on the dice.
- 3 Follow any instructions on the space you land on.
- 4 First player to reach the Finish Line wins!

Hairpin Turn!  
Advance one space.

Shift Gears!  
Roll again.



Lose one  
turn.  
Blown  
Tire!

Turbocharged!  
Advance two spaces.



Zoom!  
Move ahead  
two spaces!



Pit Stop!  
Lose one turn.



Slick Track!  
Go back  
one space.



Hit the Apex!  
Advance one  
space.



Engine Failure!  
Go back three  
spaces.

FINISH

START



You Get  
Pole Position!  
Roll again.

Hit the Gas!  
Roll again.



You Pull Away!  
Advance one  
space.



# YOUR VACATION STUFF HERE!

WHERE DO SHARKS GO ON VACATION?  
FINLAND!



Max had an awesome summer vacation. He traveled around the world and saw amazing LEGO® stuff everywhere he went. What did you do on your vacation? Here are some souvenirs Max brought back from his trip!

WHAT TRAVELS AROUND THE WORLD BUT STAYS IN ONE CORNER?  
A STAMP!

WHAT HAPPENS WHEN YOU WEAR A WATCH ON A PLANE?  
TIME FLIES!



## Dear Max,

What is your next magazine going to be? Are you friends with Emmet? I like all types of LEGO bricks like creative ones, old ones, *Star Wars*, and many more. Have you ever met Julius von Brunk?  
Hey Max... What did the dog say to the other dog?  
You bark to be kidding me!!!

Your Fan!  
-Atlas, age 8, USA



Leandro, age 7, Germany



Drawing by Hannah, age 7, USA



Uncle Fearsome Brick



Kusin Logiskt Papper



Cuoca Margherita Pura

## ANSWERS

### Welcome: Page 3

- Map: p. 11 Apple: p. 12
- Skateboard: p. 12 Goggles: p. 26
- Fishing Pole: p. 20 Bunny: p. 21
- Radio: p. 23 Carrot: p. 22
- Guitar: p. 26 Helmet: p. 26

### LEGO® NINJAGO®: Page 6

- The First Spinjitzu Master
- Corrupt
- The Treacherous Deceiver
- Pyramid
- Desert of Doom
- Monastery

### LEGO Hidden Side®: Page 10-11

- Blue ghosts: 2 Yellow ghosts: 2
- Pink ghosts: 4

### LEGO Harry Potter®: Page 17

- A Hippogriff
- Sirius Black™
- The Time-Turner
- Minister of Magic Cornelius Fudge
- A time-traveling Harry Potter

**Extra Credit:** Care of Magical Creatures

### LEGO Jurassic World®: Page 27

22 footprints

### LEGO Minecraft®: Page 7



### LEGO Tower: Page 24



### LEGO Spider-Man®: Page 8

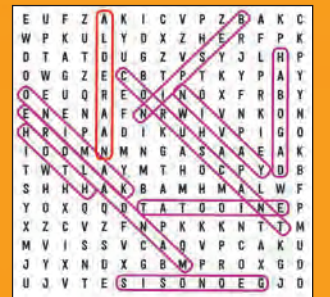


### LEGO Toy Story 4: Page 12



### LEGO Star Wars®: Page 18-19

- Unscramble:**
- Star Destroyer
  - Slave I
  - Y-wing
  - X-wing
  - Millennium Falcon
  - Death Star



**True or False:**

- False
- True
- False
- True

**ALL NEW!**



## MEET THE LEGO® NARWHAL!

The narwhal is the newest LEGO® animal. You can see more of him on page 20. Did you know that a narwhal's tusk is really a tooth and can grow up to over nine feet long?



**TYRANNOSAURUS REX**  
Name Meaning: King Tyrant Lizard

HEIGHT 17.06 feet  
WEIGHT 9.4 tons




**TRICERATOPS**  
Name Meaning: Three-Horned Face

HEIGHT 11.4 feet  
WEIGHT 13.4 tons



**BARYONYX**  
Name Meaning: Heavy Claw

HEIGHT 8.5 feet  
WEIGHT 1.9 tons



**DILOPHOSAURUS**  
Name Meaning: Two-Crested Lizard

HEIGHT 4.2 feet  
WEIGHT 881 pounds



# DINOSAUR DATA!

Discover interesting facts about the coolest dinosaurs in Jurassic World! To save these trading cards, use a pair of scissors to cut along the dotted line around each card.

## FOLLOWING FOOTPRINTS!

Scientists that study dinosaurs are called paleontologists. To help them better understand dinosaur biology, they look at fossils and footprints. Count up all the dinosaur footprints you see below and write the number here:

Answers on page 26.





Next issue of LEGO® Life Magazine out in November!

