



Ferrari
OFFICIAL LICENSED PRODUCT

产品型号：30191

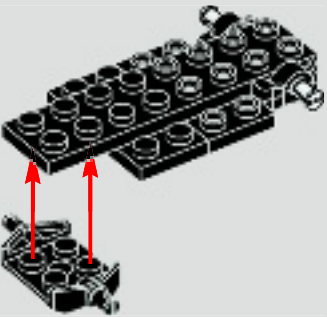


6045046

1



2



3



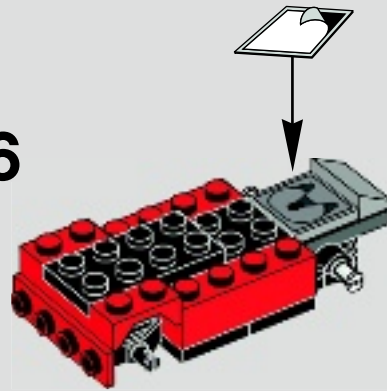
4



5



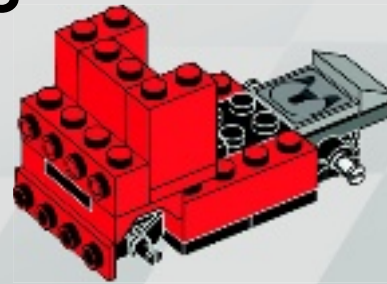
6



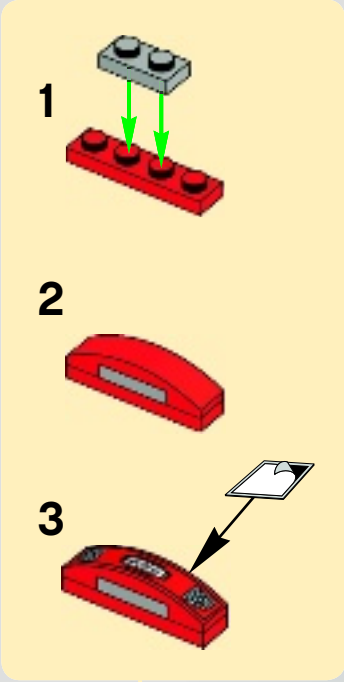
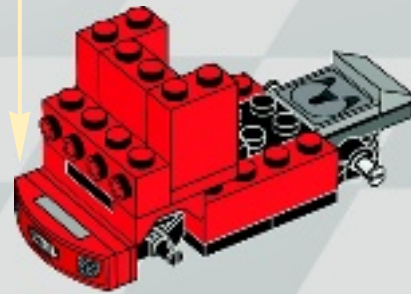
7

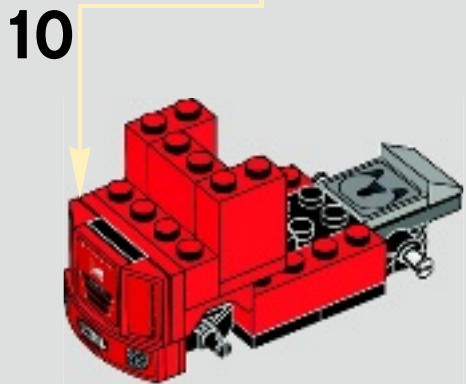
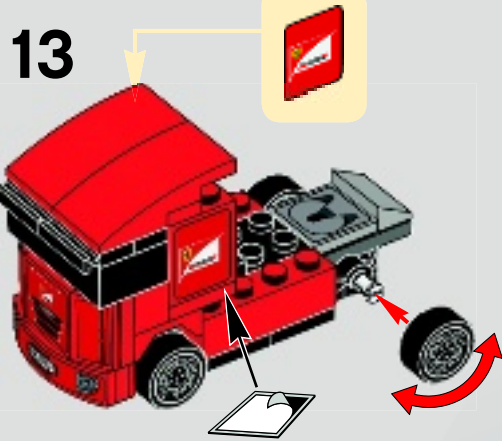
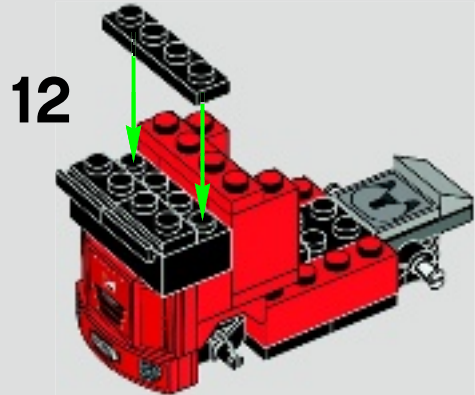
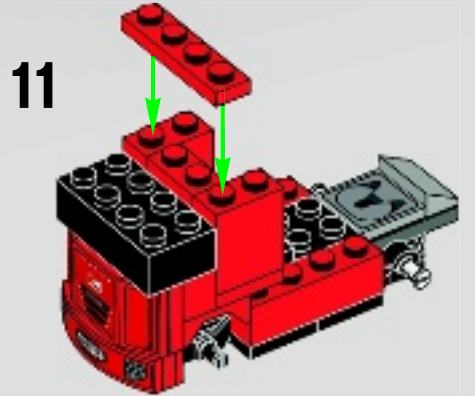
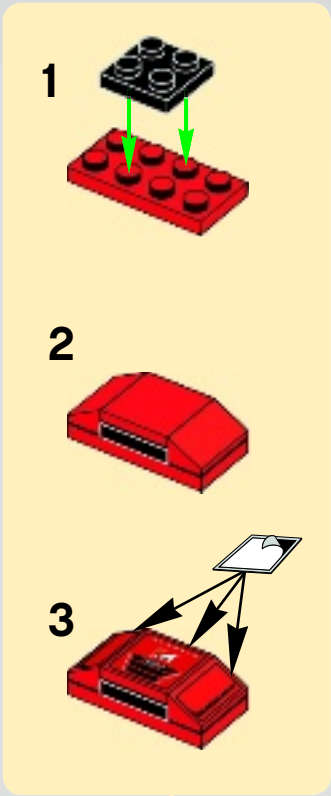


8



9





产品型号：30190
产品名称：法拉利 150° Italia 赛车



产品型号：30191
产品名称：法拉利卡车



产品型号：30192
产品名称：法拉利 F40 跑车



产品型号：30193
产品名称：法拉利 250 GT Berlinetta 跑车



产品型号：30194
产品名称：法拉利 458 Italia 跑车



产品型号：30195
产品名称：法拉利 FXX 跑车

LEGO and the LEGO logo are trademarks of the LEGO Group. ©2012 The LEGO Group.

Produced under license of Ferrari Spa. FERRARI, the PRANCING HORSE device, all associated logos and distinctive designs are property of Ferrari Spa. The body designs of the Ferrari cars are protected as Ferrari property under design, trademark and trade dress regulations.



LEGO.com/service

6045046

www.shell.com/LEGO