



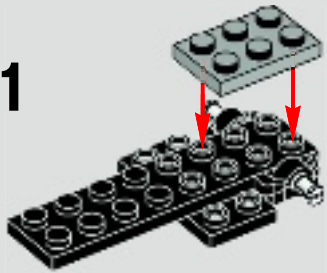
Ferrari
OFFICIAL LICENSED PRODUCT

30195

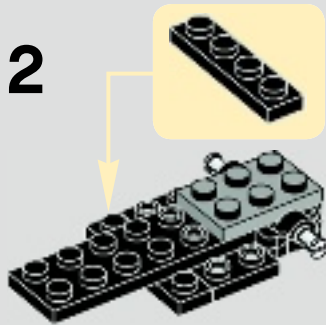
6012976 / 6019205



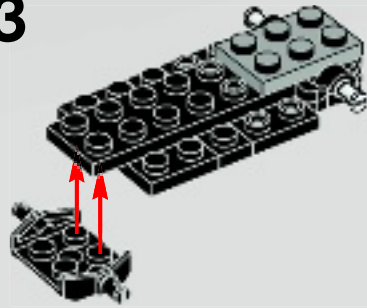
1



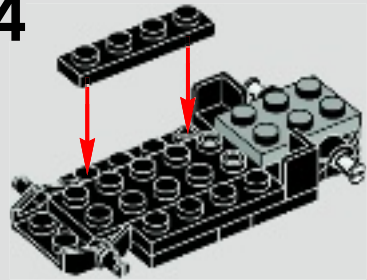
2



3



4



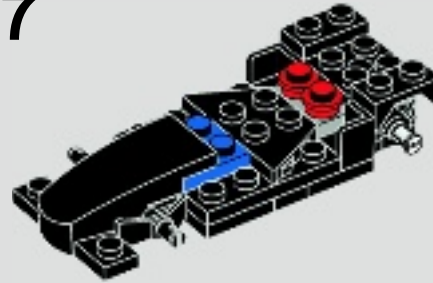
5



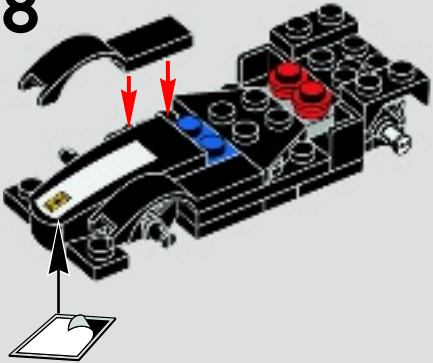
6



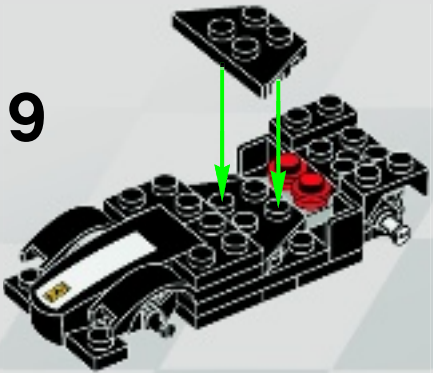
7



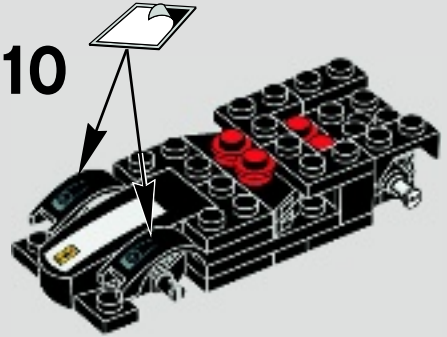
8



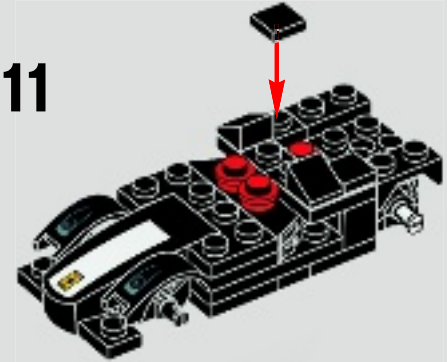
9



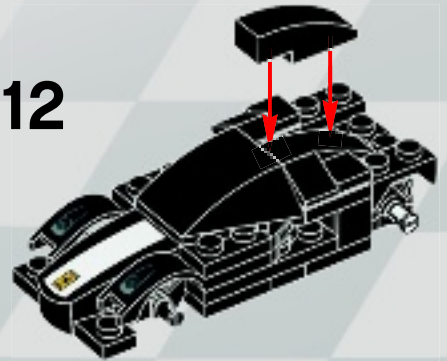
10

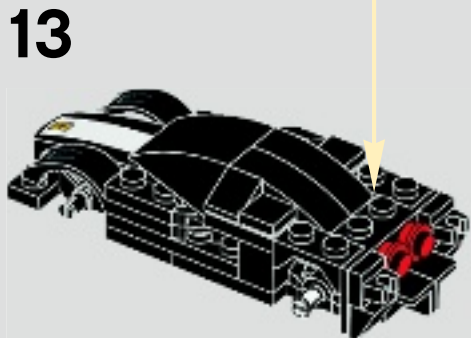
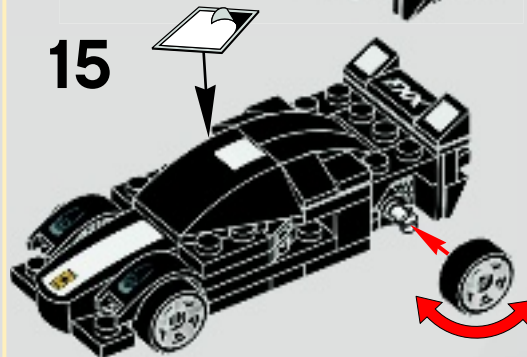
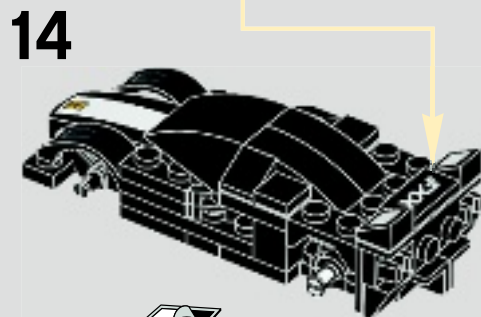
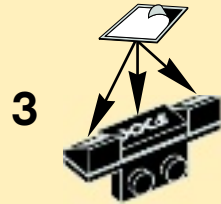
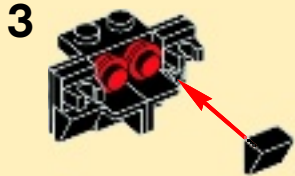


11



12





www.LEGO.com/Service

LEGO and the LEGO logo are trademarks of the LEGO Group. ©2012 The LEGO Group.

Produced under license of Ferrari Spa. FERRARI, the PRANCING HORSE device, all associated logos and distinctive designs are property of Ferrari Spa. The body designs of the Ferrari cars are protected as Ferrari property under design, trademark and trade dress regulations.



6012976 / 6019205

www.shell.com/LEGO