



# SPORTS

3541



4224107



3540



3541



3542



3543





3540 Puck Passer



3541 Slap Shot



3542 Flip Shot



3543 Slammer Goalie



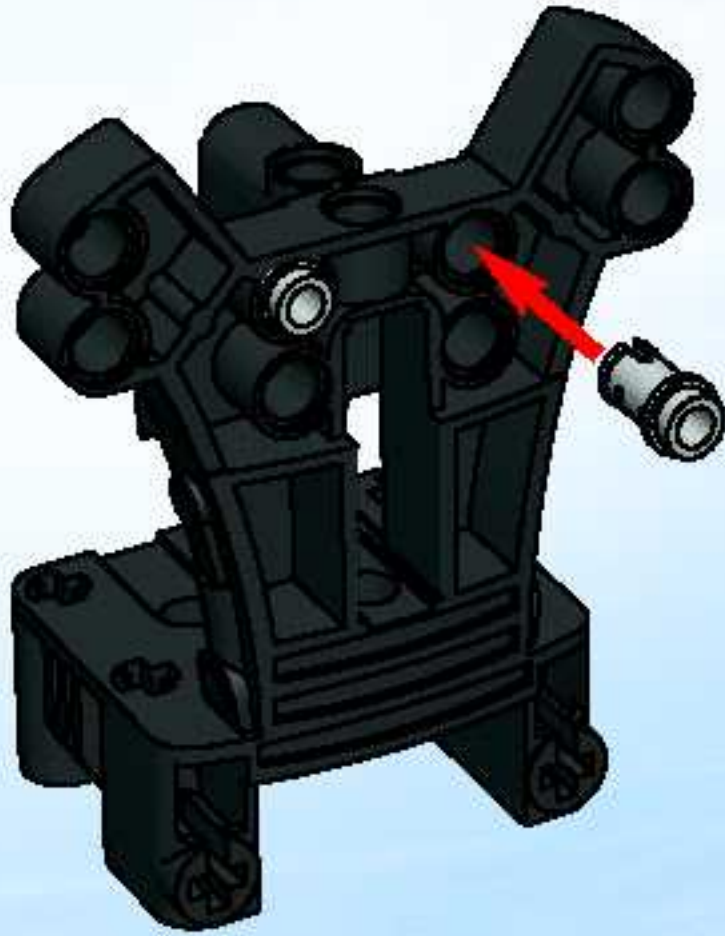
3544 Game Set



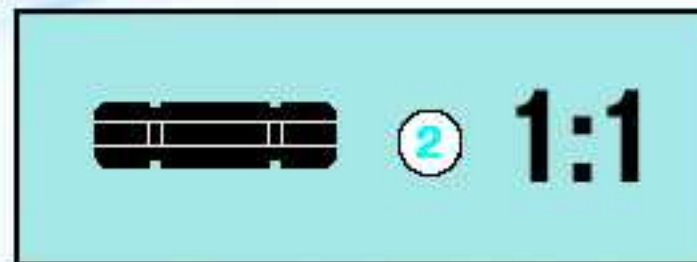
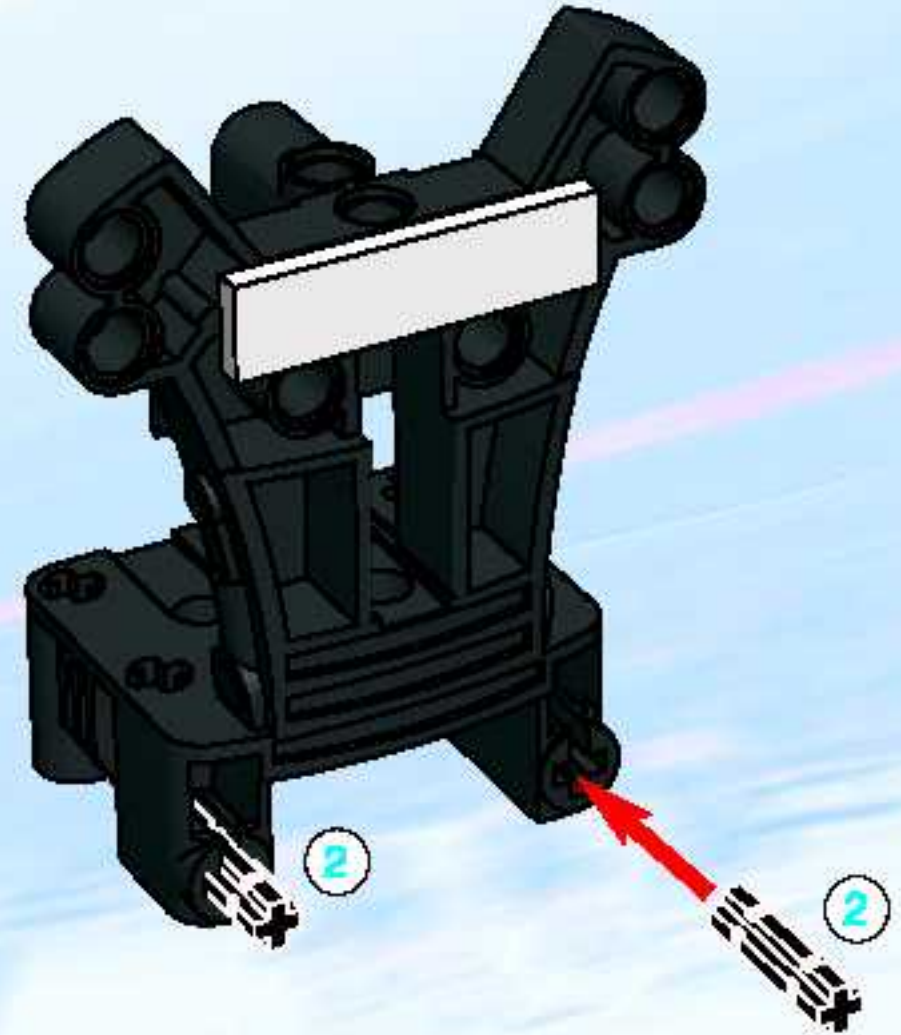
3545 Puck Feeder



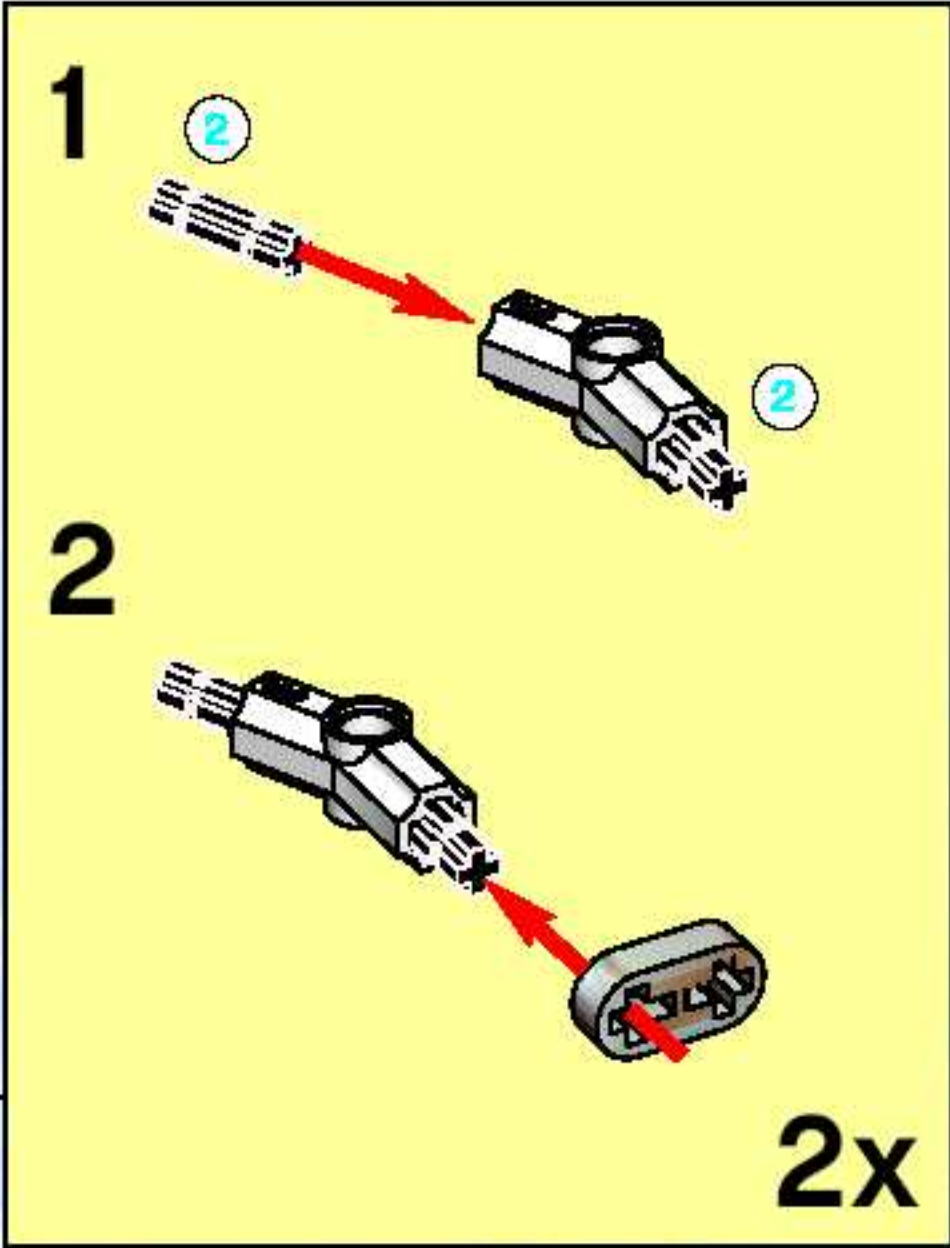
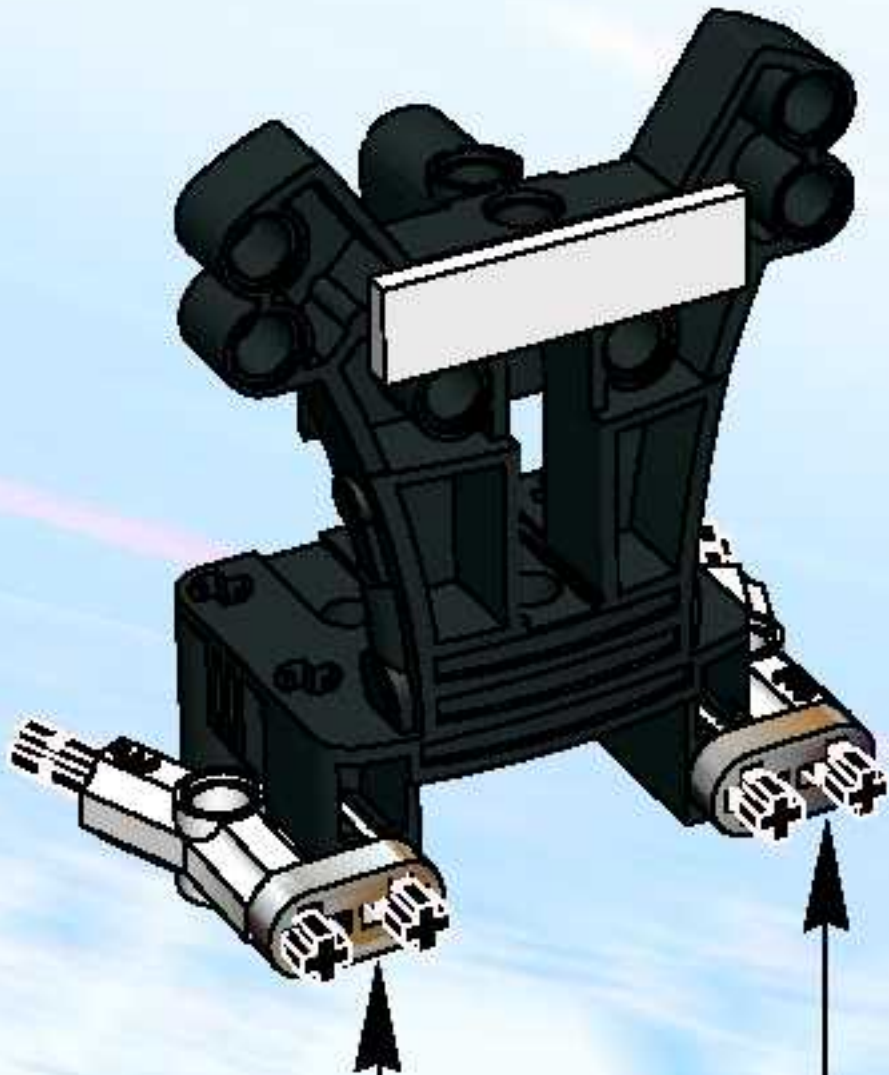
1

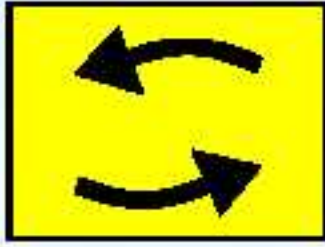


2

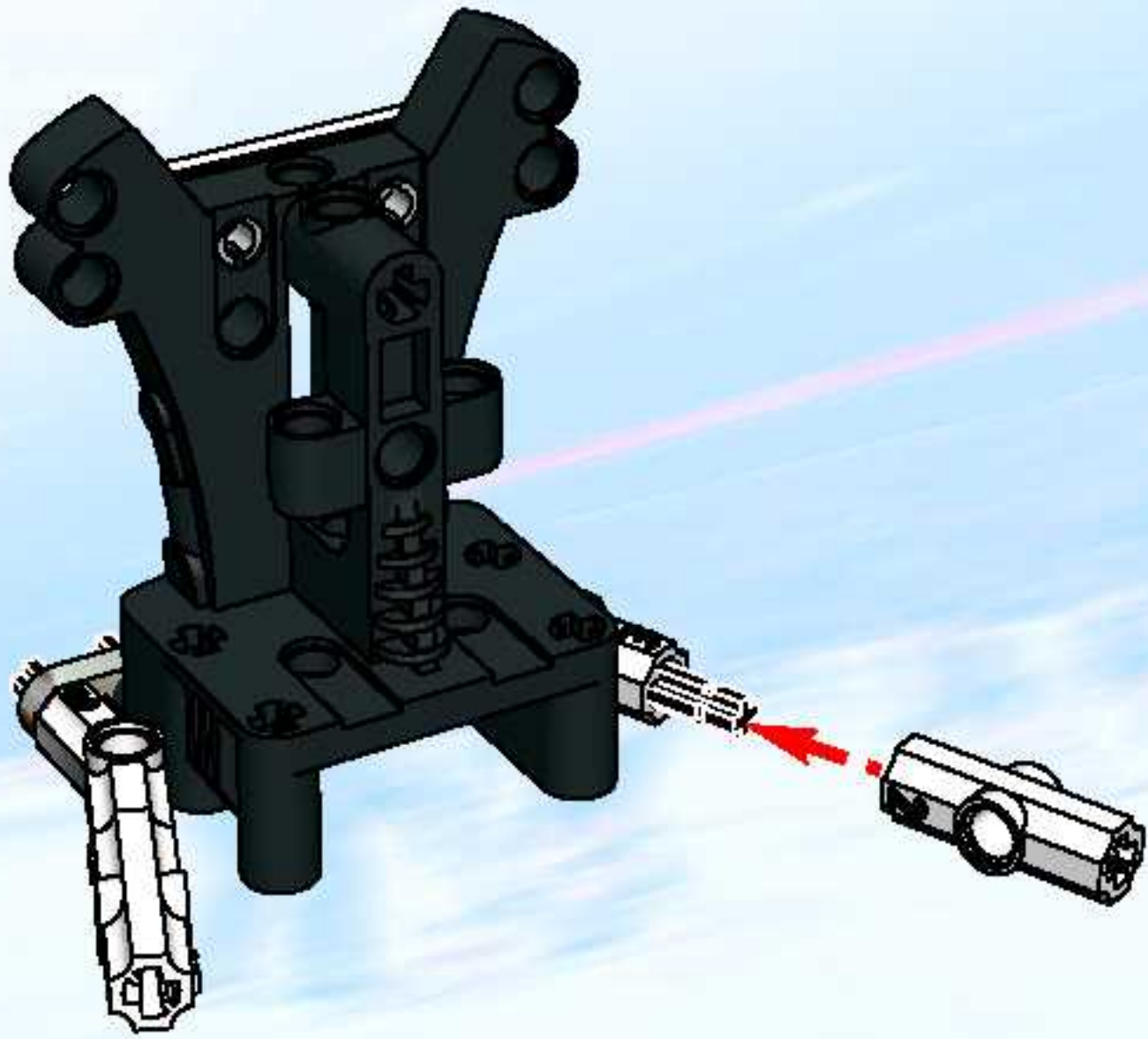


# 3

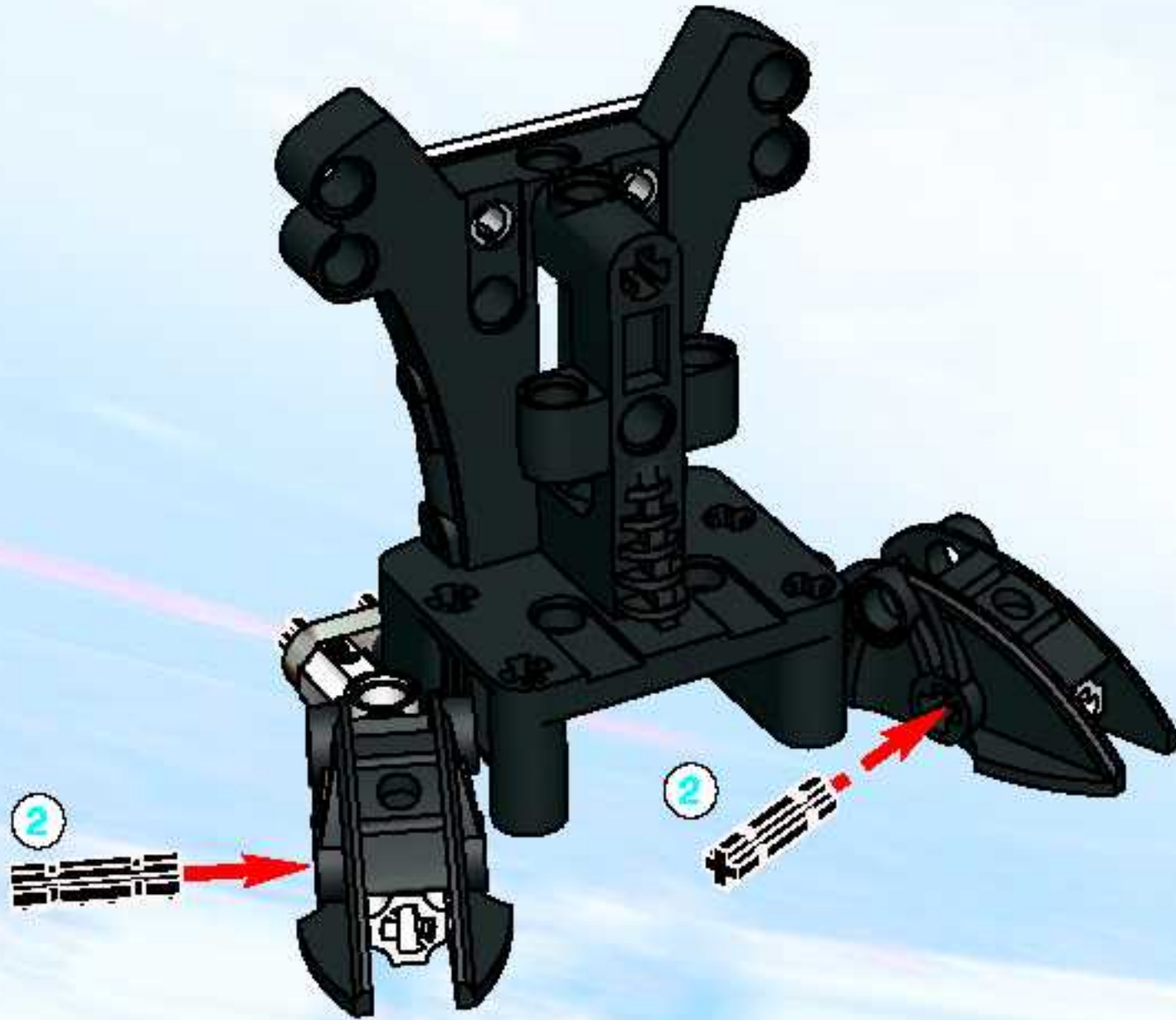




4



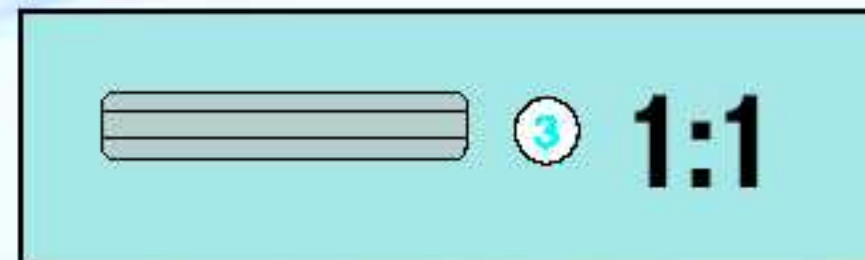
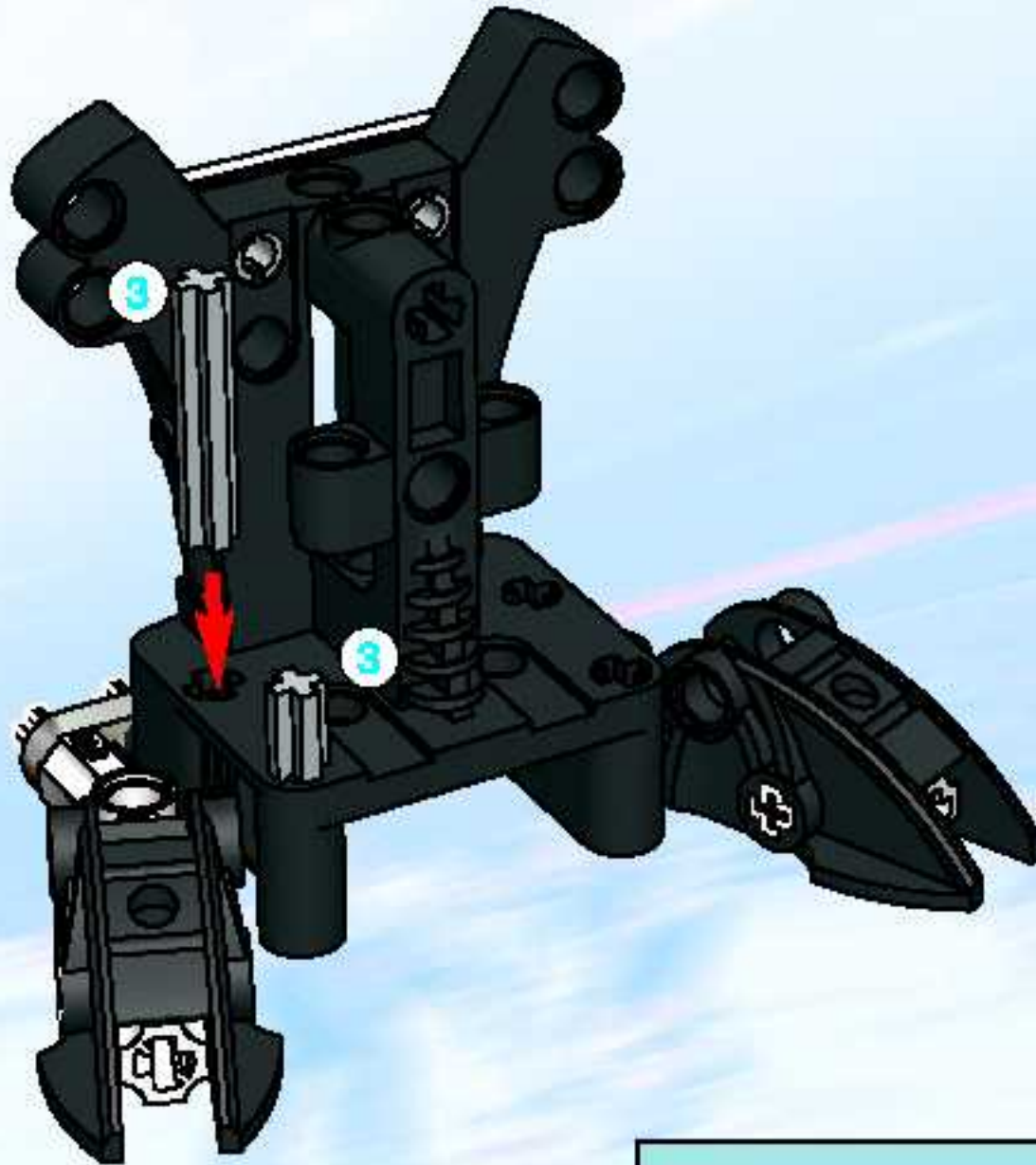
5



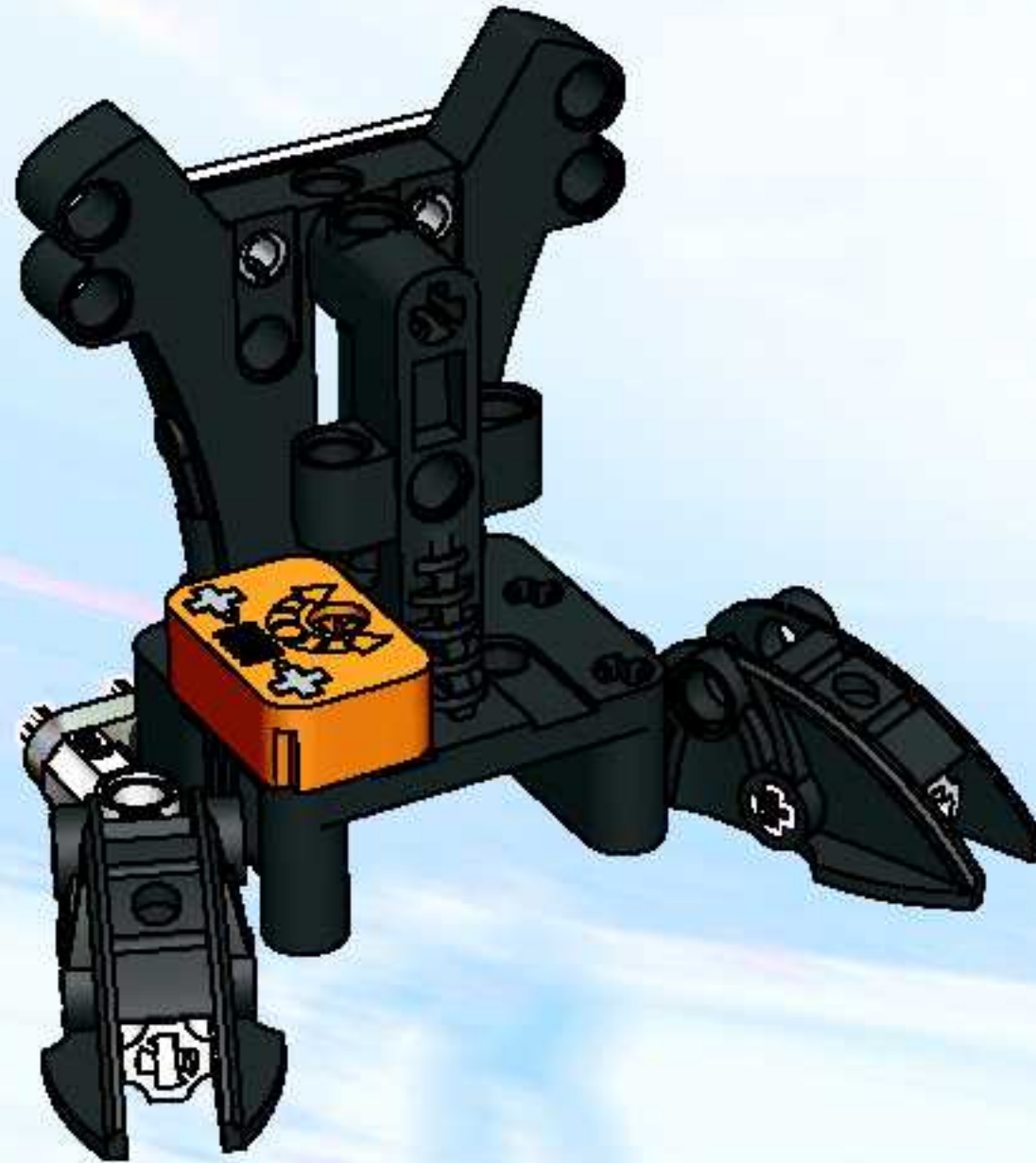
 2 1:1



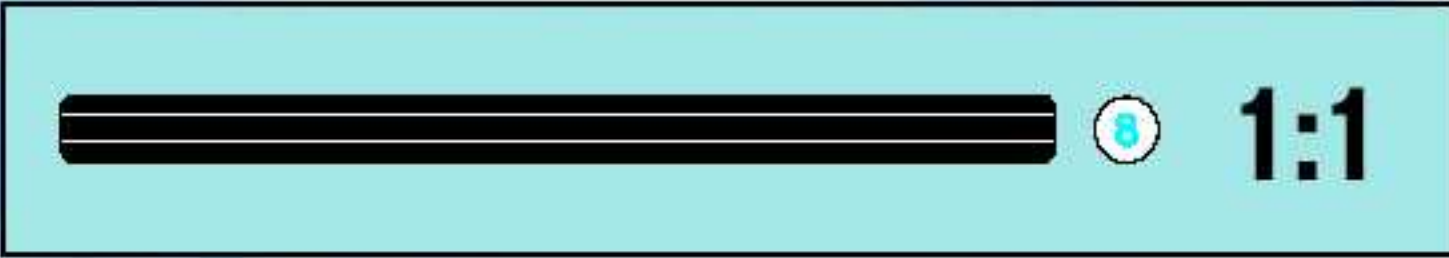
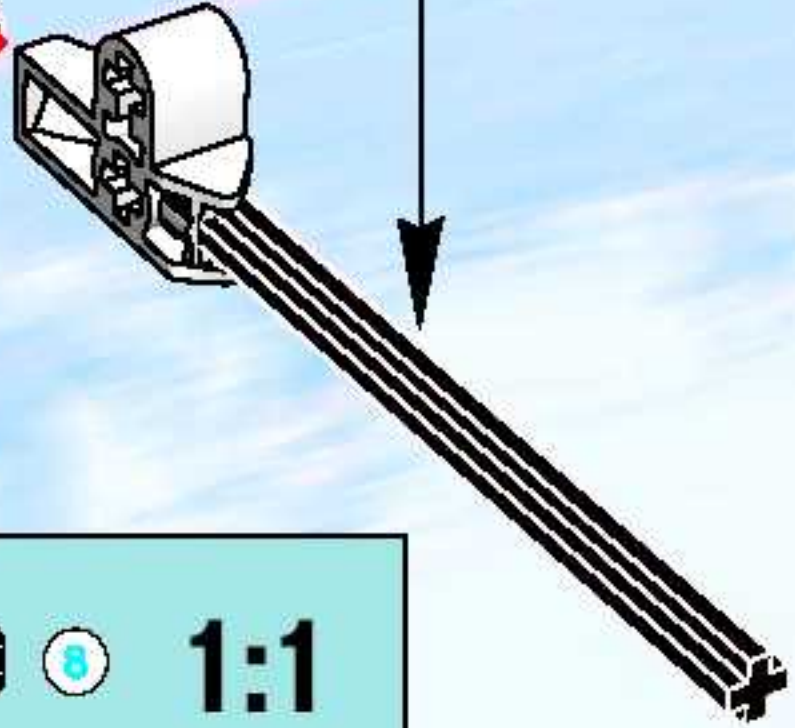
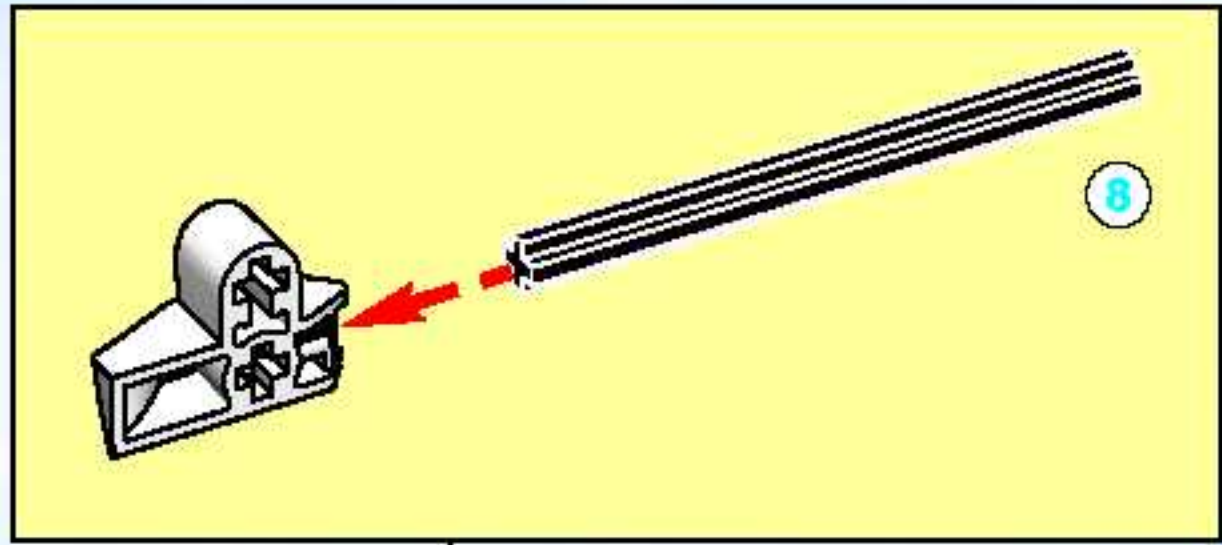
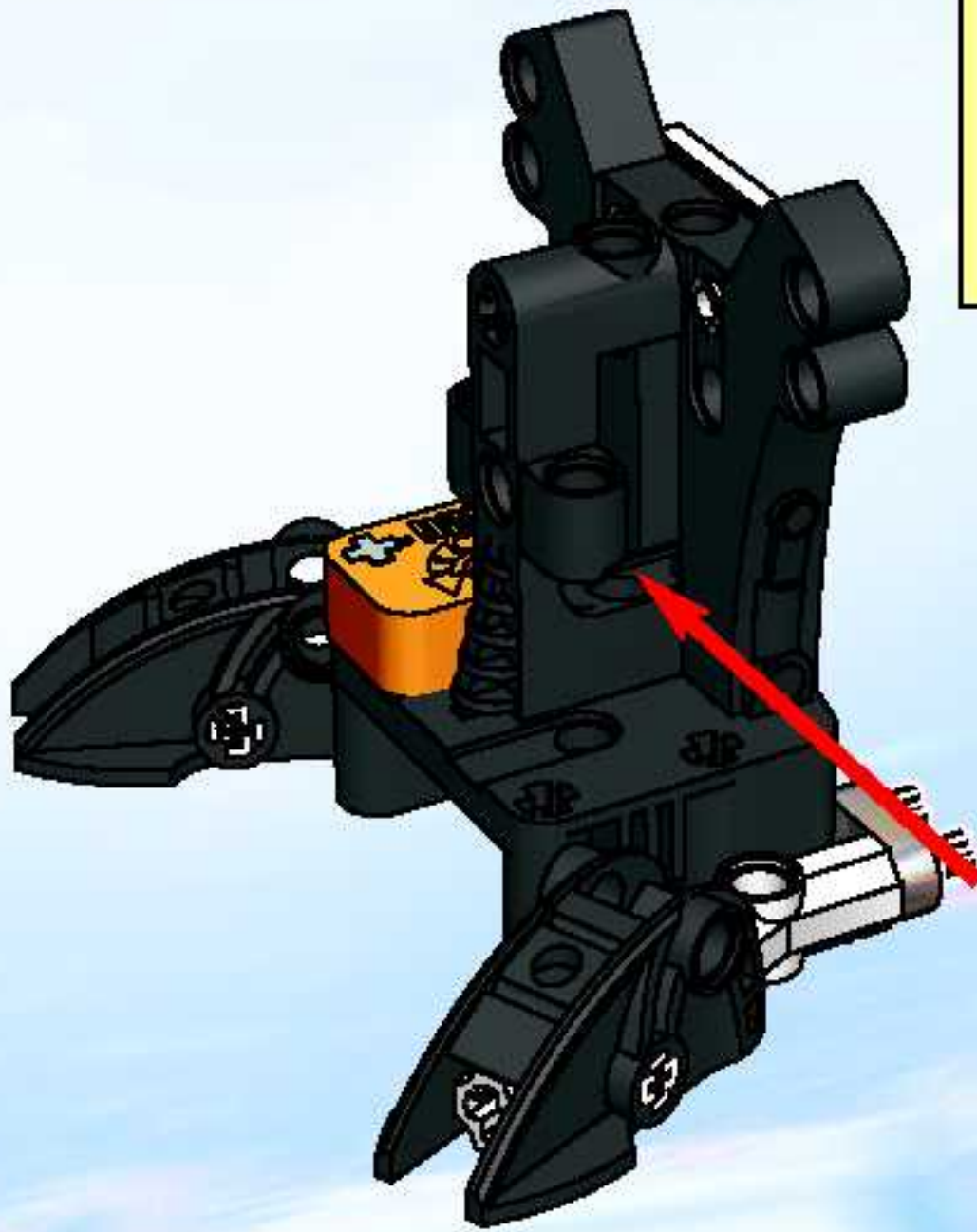
6



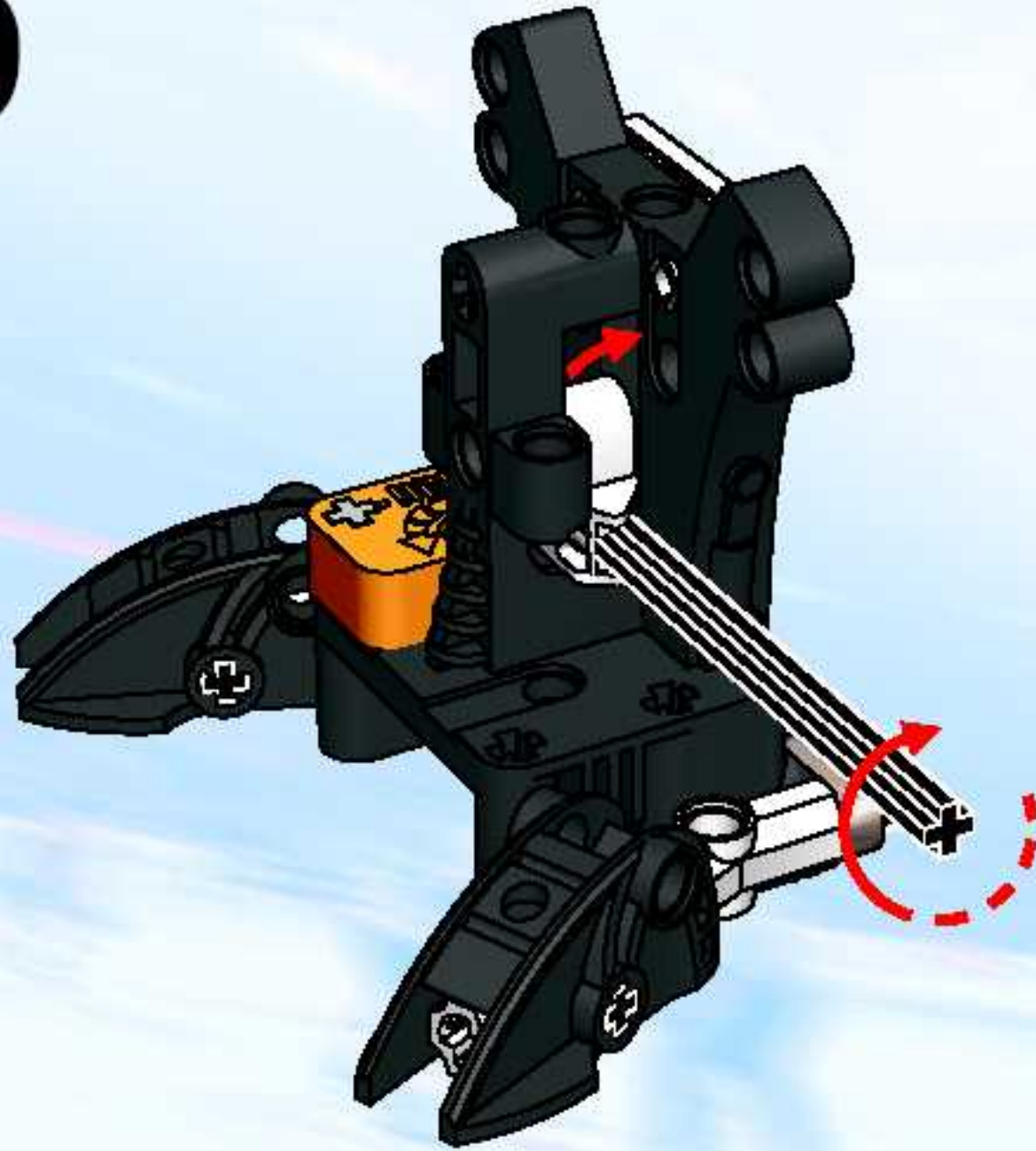
7



8



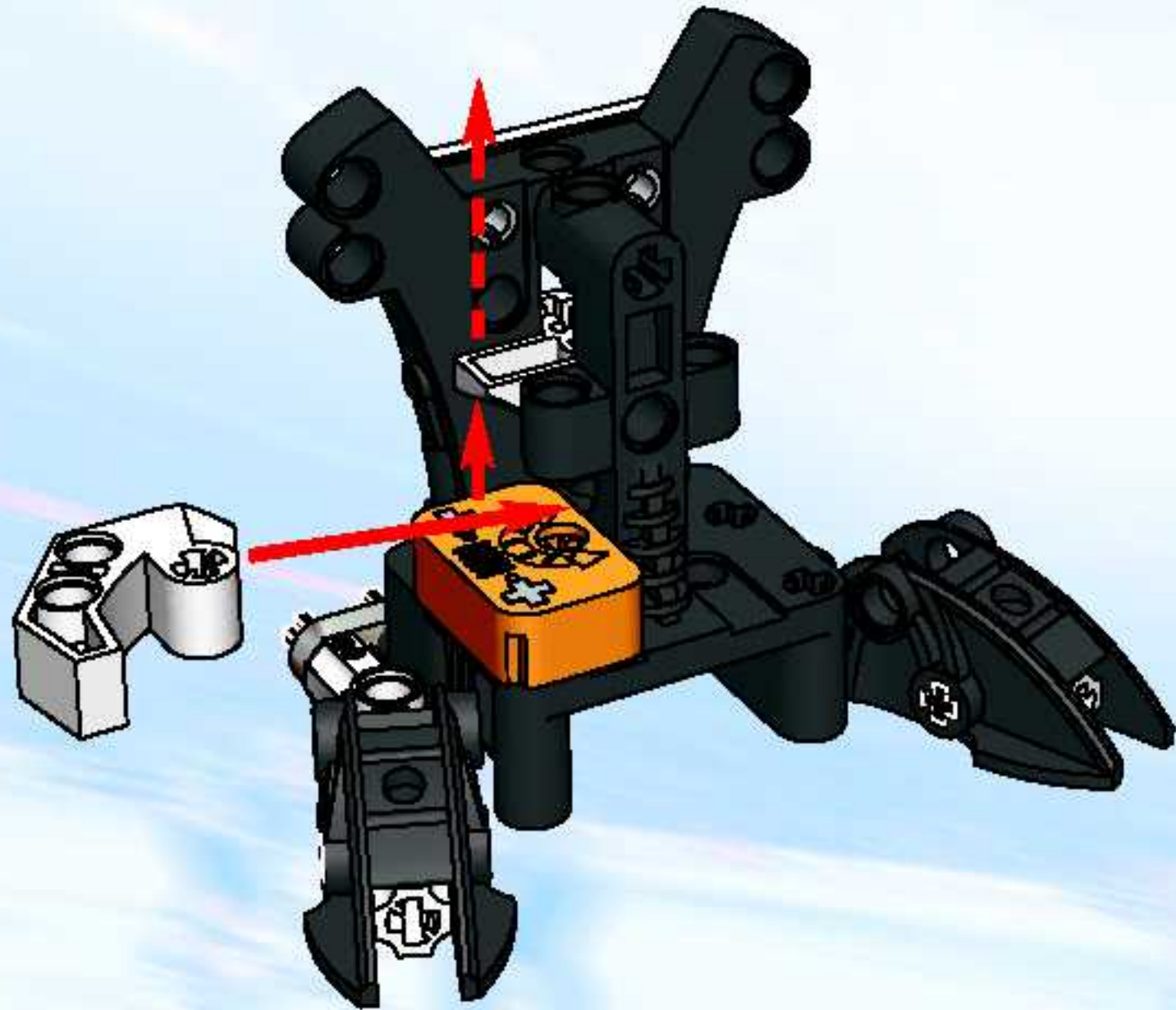
9



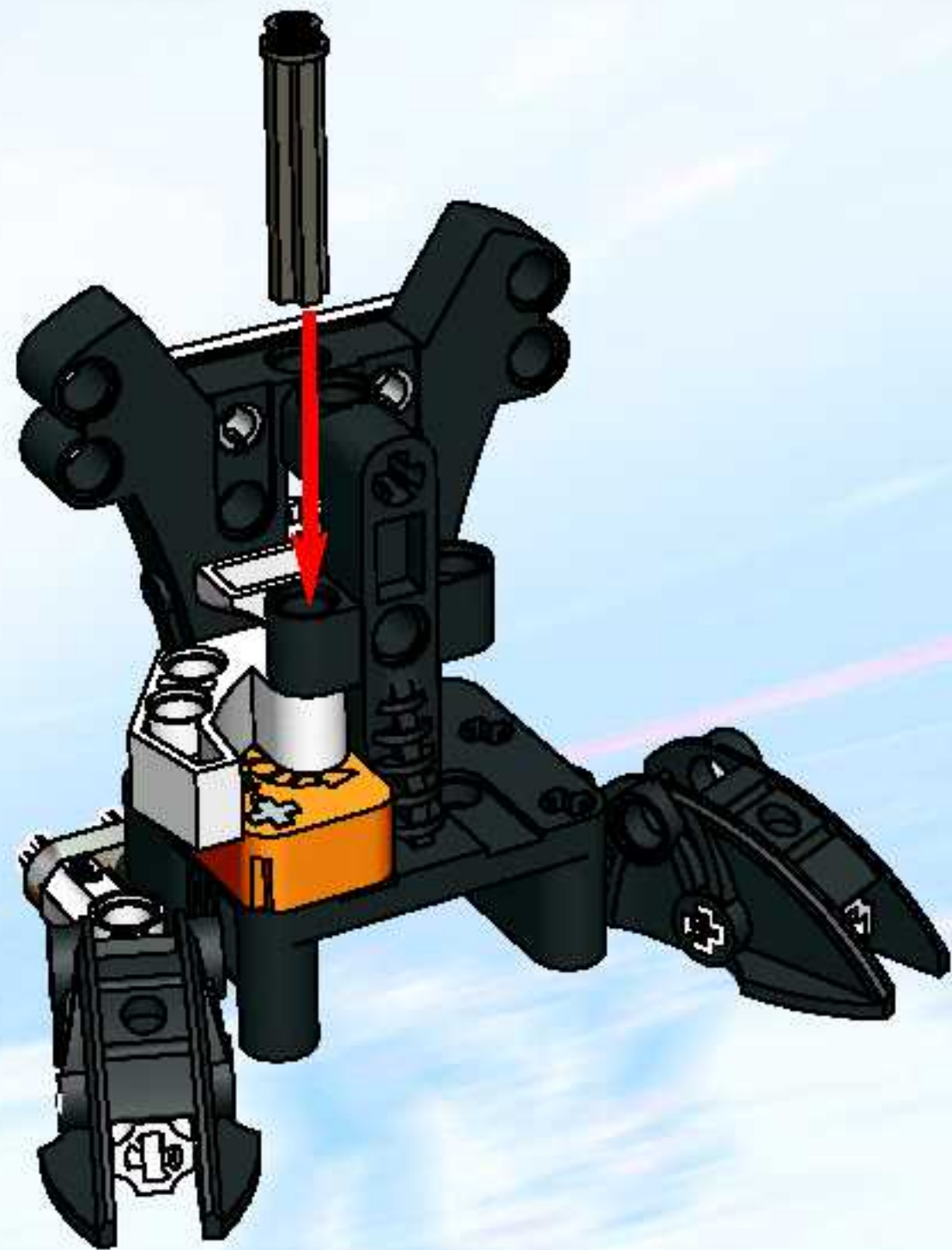
10



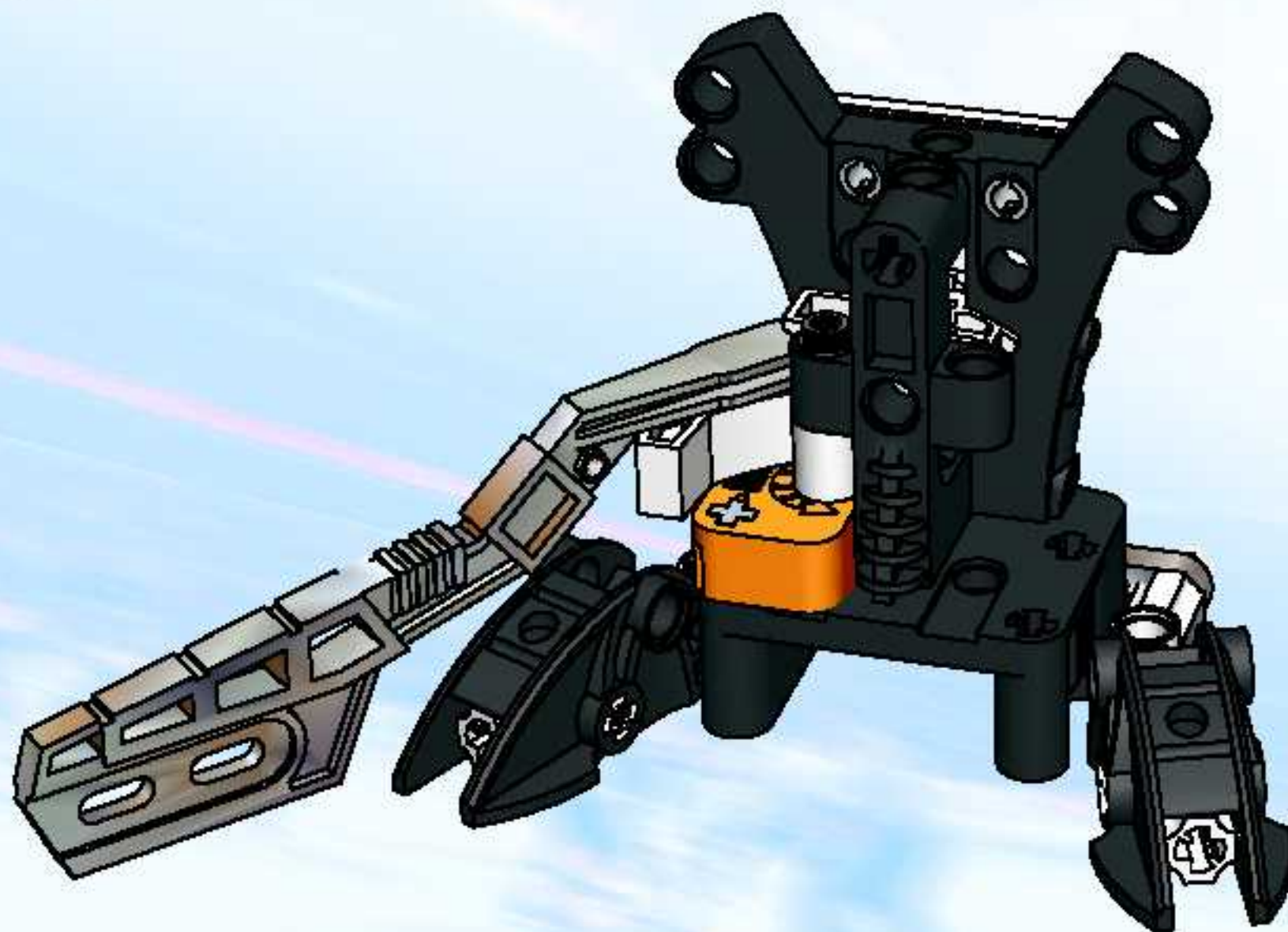
11



12

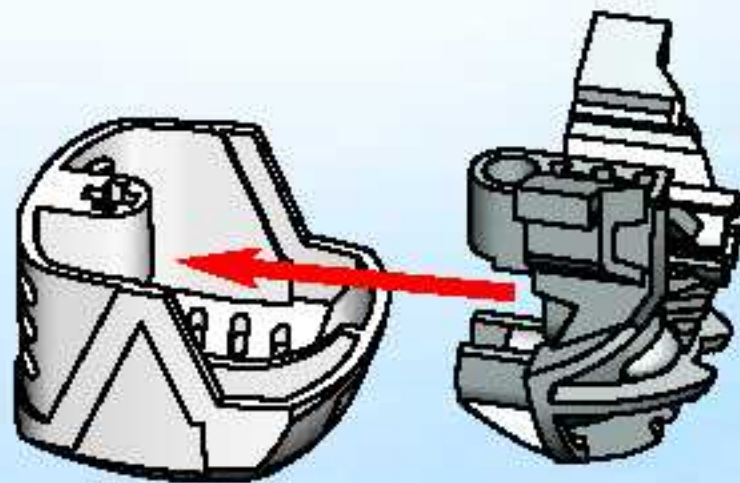


13

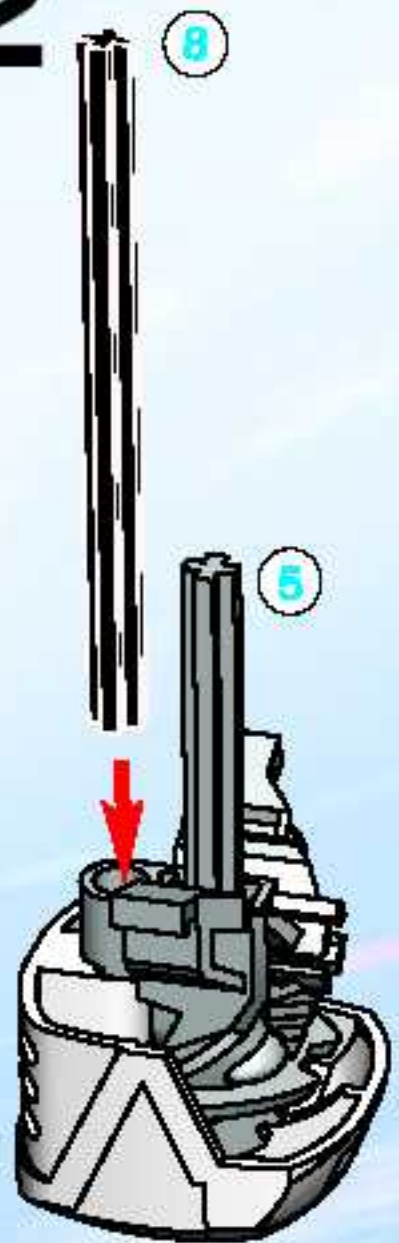




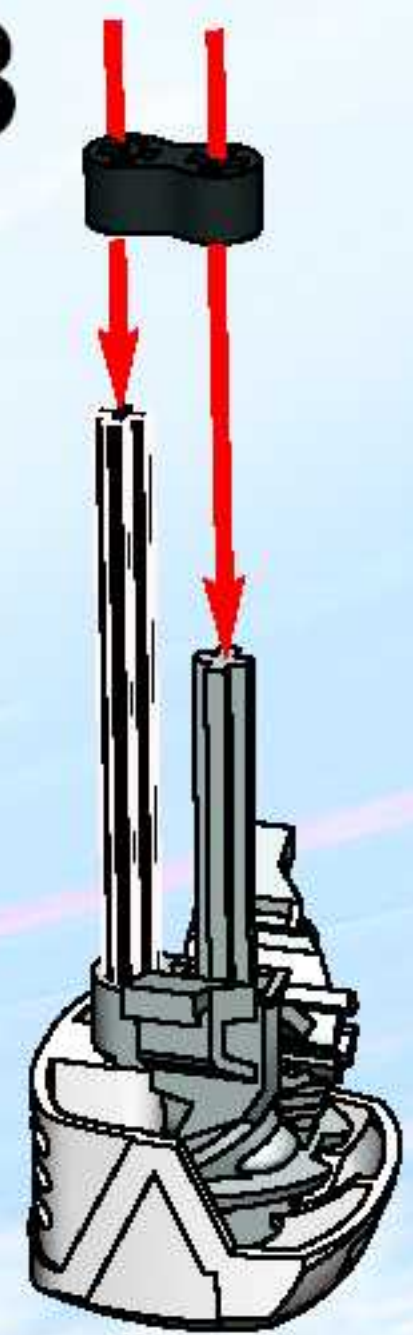
1



2

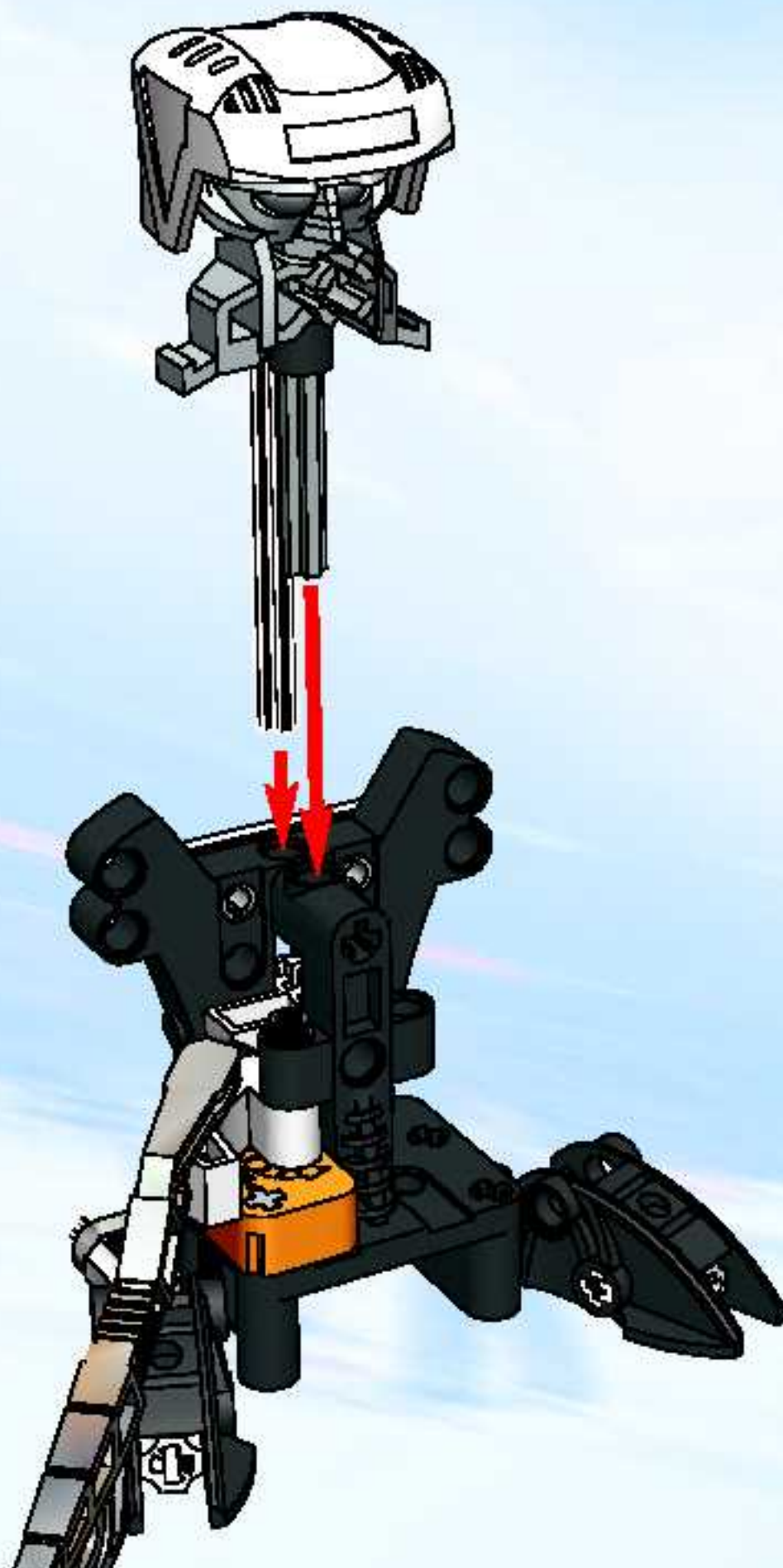


3

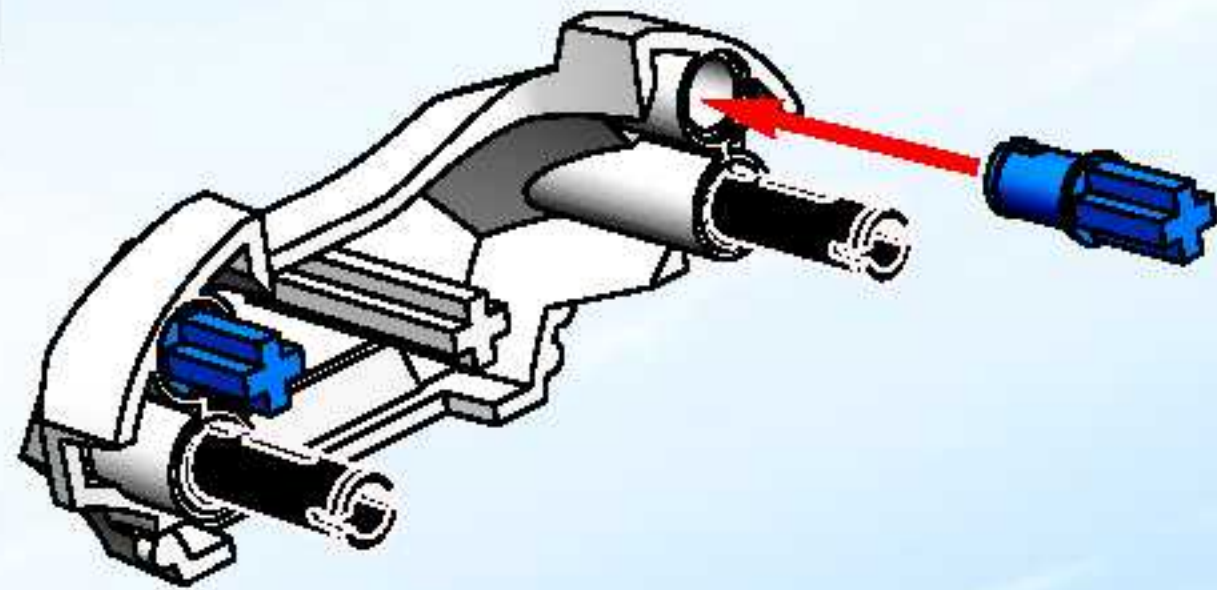


	5	1:1
	8	

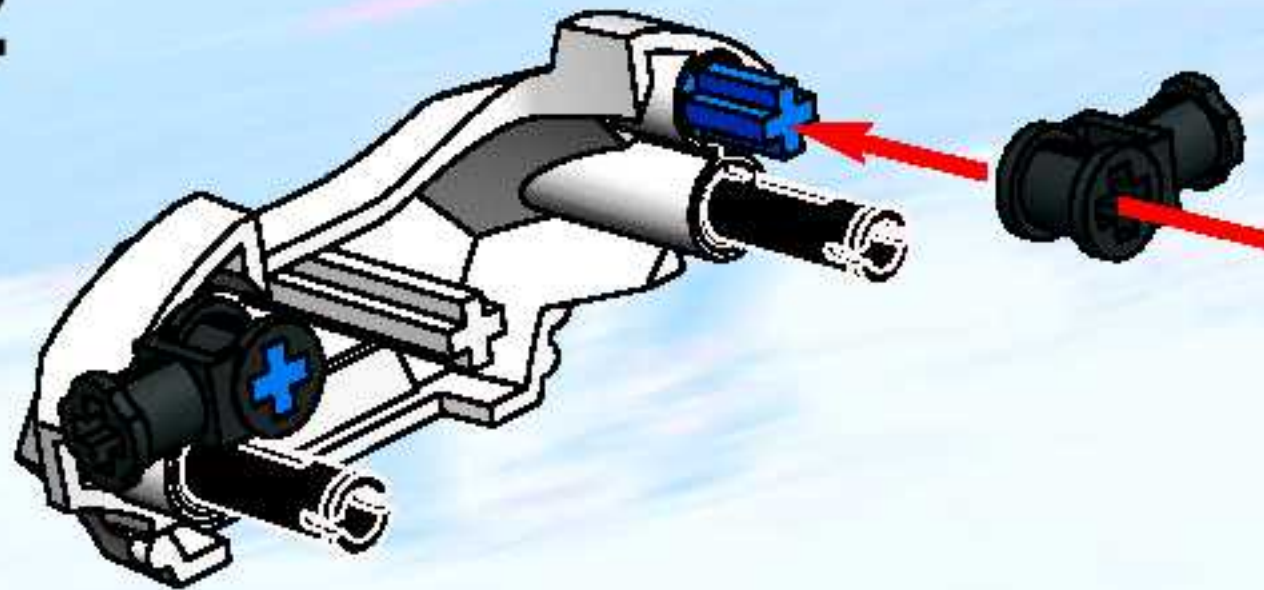
14



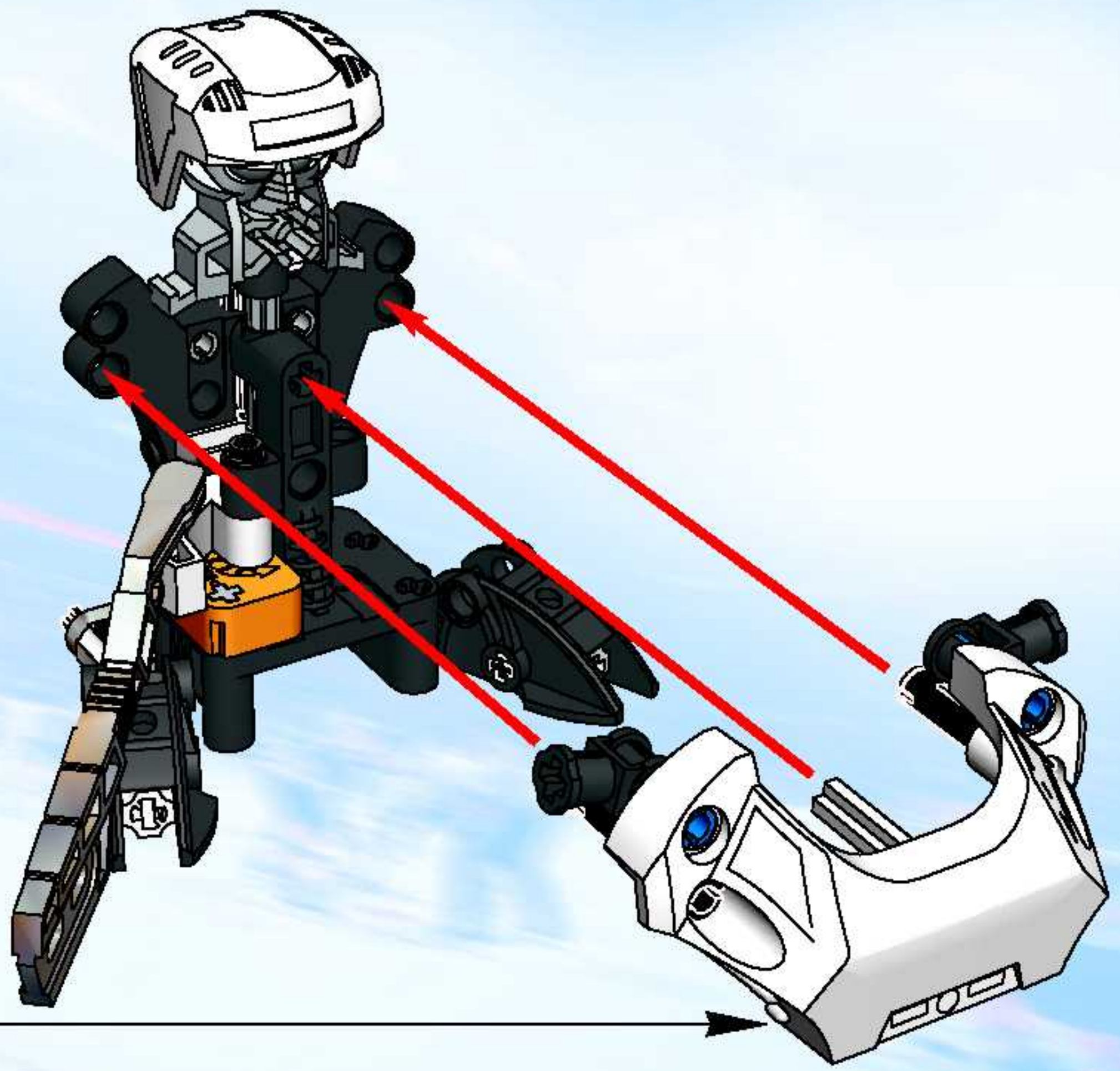
1



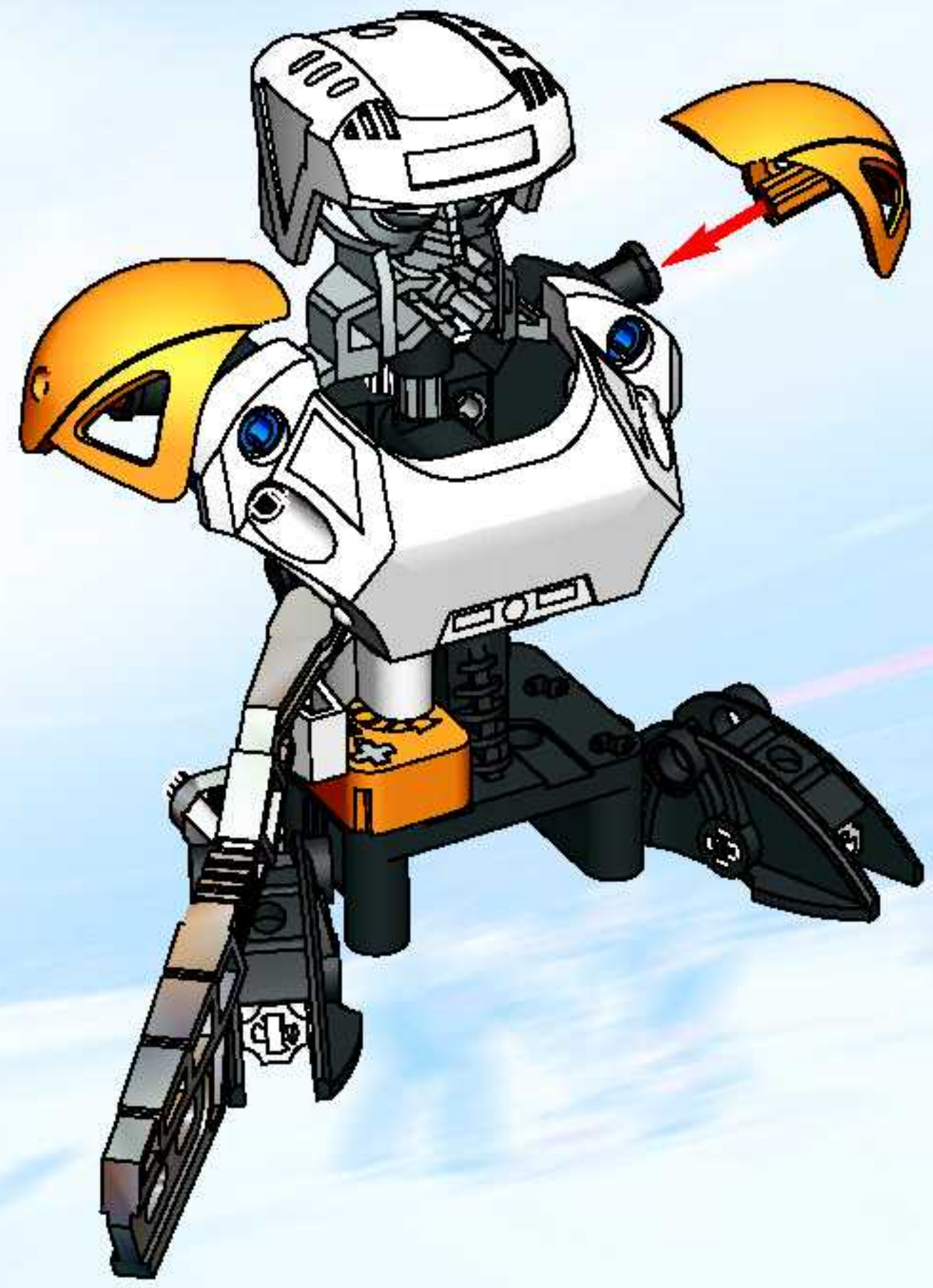
2



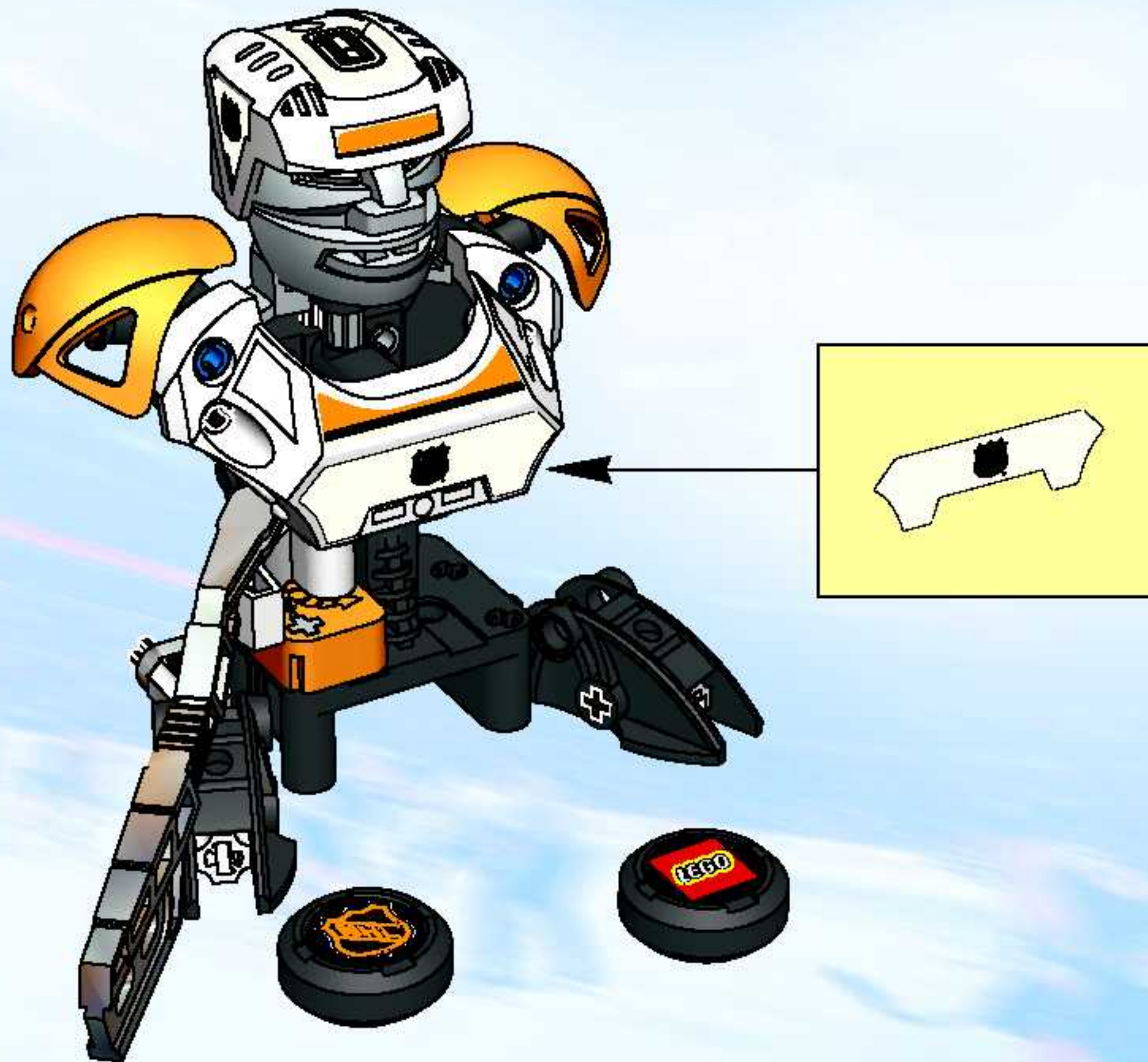
15



16



17



The LEGO logo is displayed in its characteristic white, bold, sans-serif font with a black outline, set against a solid red square background.

[www.LEGO.com/sports](http://www.LEGO.com/sports)

*nhlpa*  
.COM



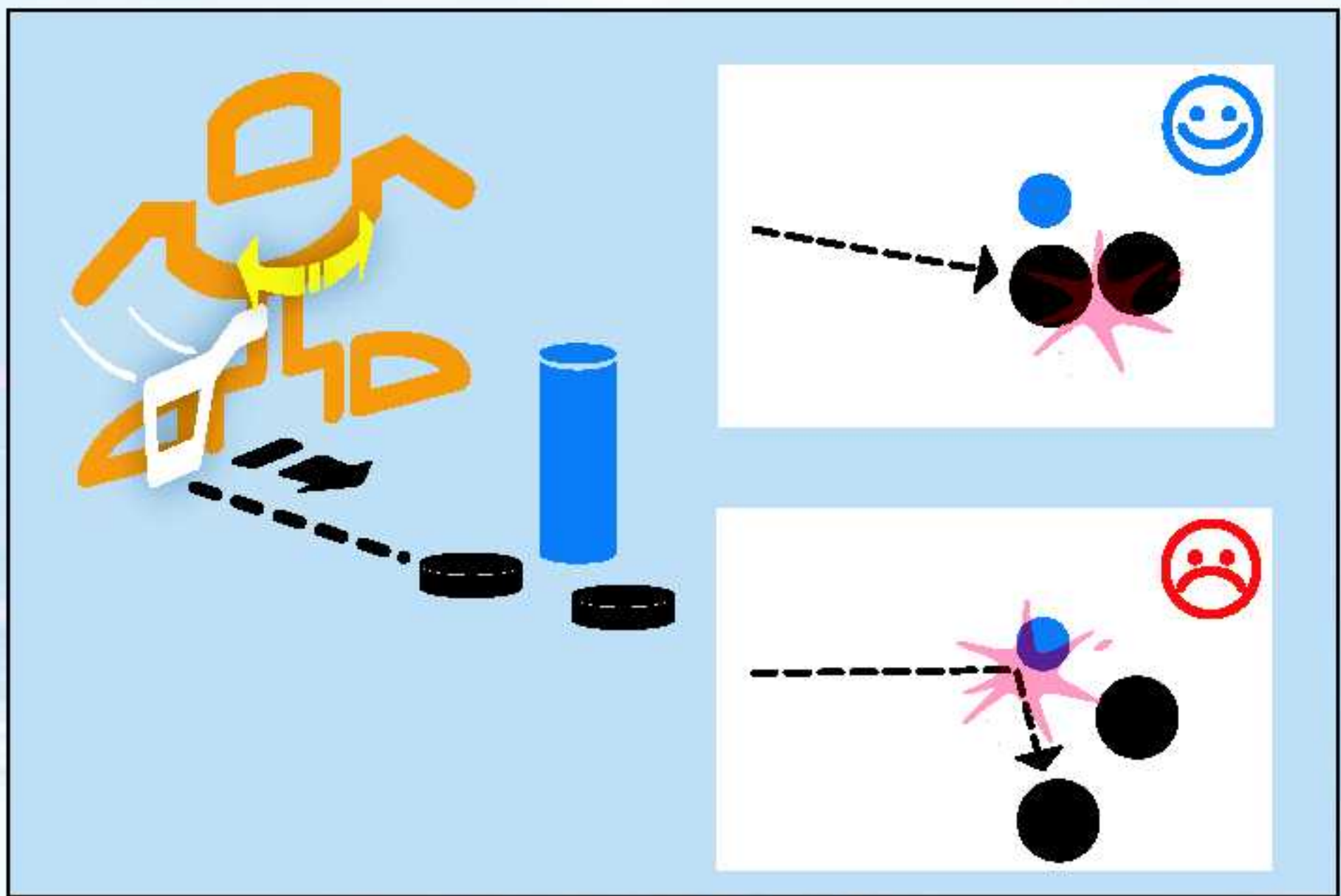
LEGO, the LEGO logo and the Minifigure are trademarks of the LEGO Group.

©2003 The LEGO Group.

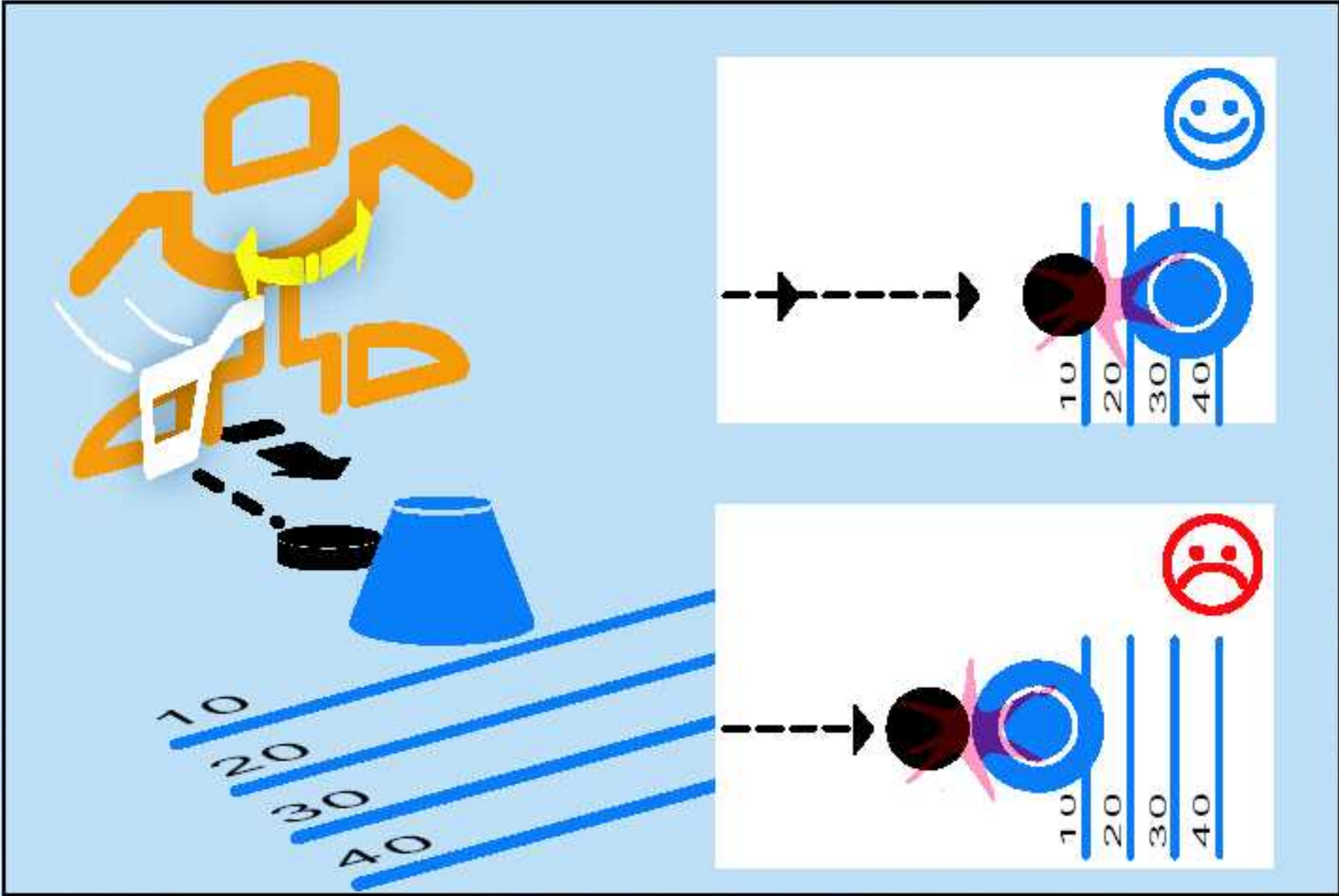
NHL and the NHL Shield are registered trademarks of the National Hockey League. All NHL logos and marks and team logos and marks depicted herein are the property of the NHL and the respective teams and may not be reproduced without the prior written consent of NHL Enterprises, L.P. © NHL 2003. All Rights Reserved.

© NHLPA. NHLPA, National Hockey League Players' Association and the NHLPA logo are trademarks of the NHLPA.















3535



3537



3538



3585



3536



**3541 + 3542 =**

EN: Clean before use

DE: Bitte vor Gebrauch reinigen

FR: Nettoyer avant usage

IT: Pulire prima dell'uso

NL: Vóór gebruik reinigen

ES: Limpiar antes de usar

DA: Rengøres før brug

FI: Puhdista ennen käyttöä

SV: Rengör innan användning

PT: Limpar antes da utilização

EL: Καθαρίστε πριν τη χρήση

JP: 汚れを落とすしてから使用してください。

CN: 請於使用前清洗乾淨

KO: 사용전에 반드시 깨끗이 씻어주세요

RU: Перед использованием очистите

PL: Wyczyścić przed użyciem

CS: Před použitím omýjte vodou.

SK: Před použitím umyte vodou.

HU: Használat előtt tisztítsd meg!

UA: Перед використанням очистити

HR: Očistite prije uporabe

SR: Očistiti pre upotrebe

SL: Pred uporabo očisti

RO: A se curăța înainte de utilizare

BG: Почистете преди употреба

LT: Prieš naudojimą nuvalyti

ET: enne tarvitamist puhastada

LV: Pirms lietošanas jānotīra

TR: Kullanmadan önce temizleyin



MAX  
65°C  
150°F



**LEGO** **SPORTS**



NBA identifications depicted are the exclusive property of NBA Properties, Inc. and/or the NBA Member Teams, and are used with permission.

SPALDING is a trademark of Spalding Sports Worldwide, Inc. or Lisco Sports, Inc., a Spalding affiliate.  
© Spalding Sports Worldwide, Inc. 2003.



[WWW.LEGO.COM/sports](http://WWW.LEGO.COM/sports)

LEGO, the LEGO logo and the Minifigure are trademarks of the LEGO Group. ©2003 The LEGO Group.

adidas, the adidas logo and the three stripe trademark are registered trademarks of the adidas-Salomon group, used with permission. Fevernova and the Trigon logo are trademarks of the adidas-Salomon group, used with permission.

NHL and the NHL Shield are registered trademarks of the National Hockey League. All NHL logos and marks and team logos and marks depicted herein are the property of the NHL and the respective teams and may not be reproduced without the prior written consent of NHL Enterprises, L.P. © NHL 2003. All Rights Reserved.