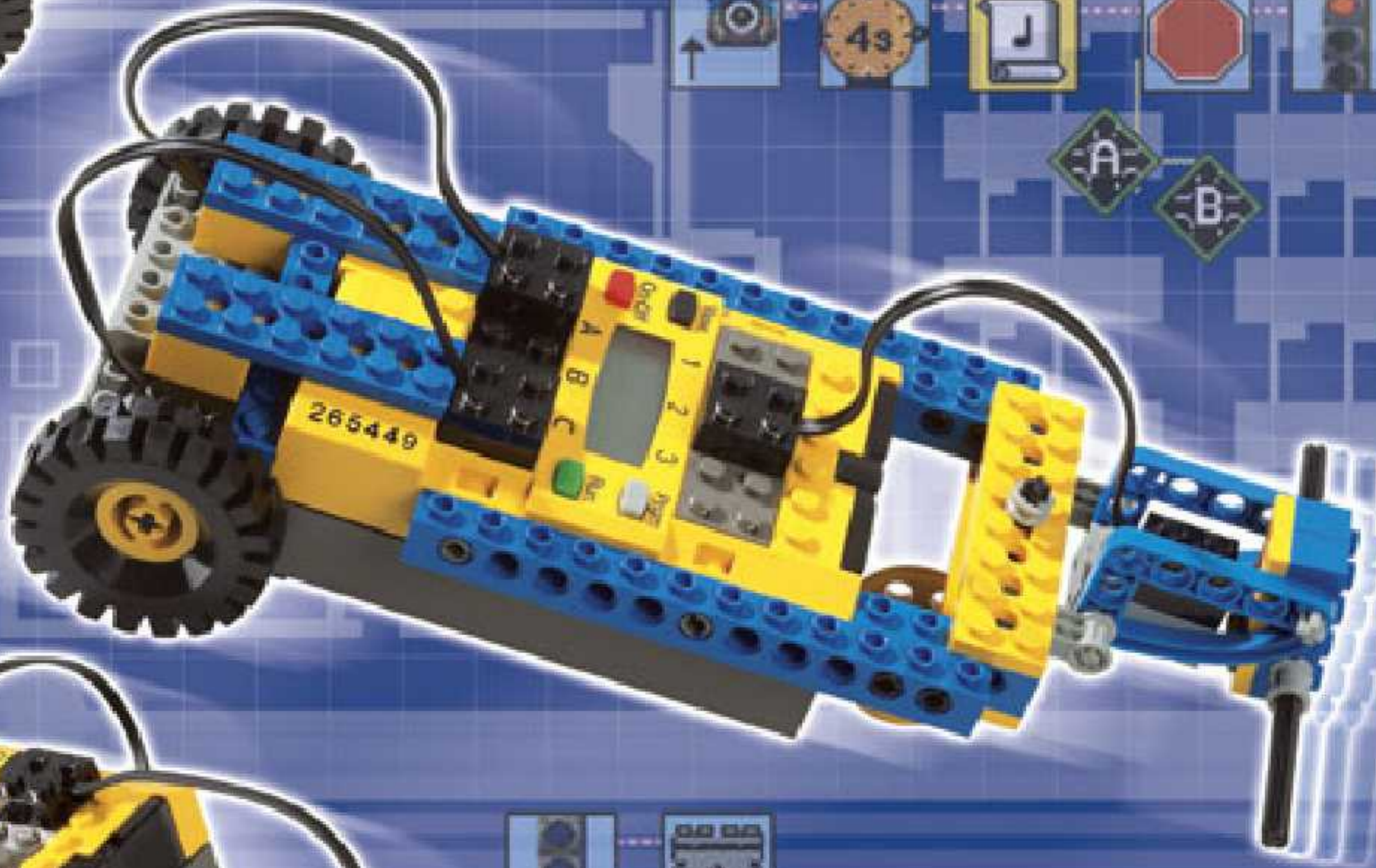
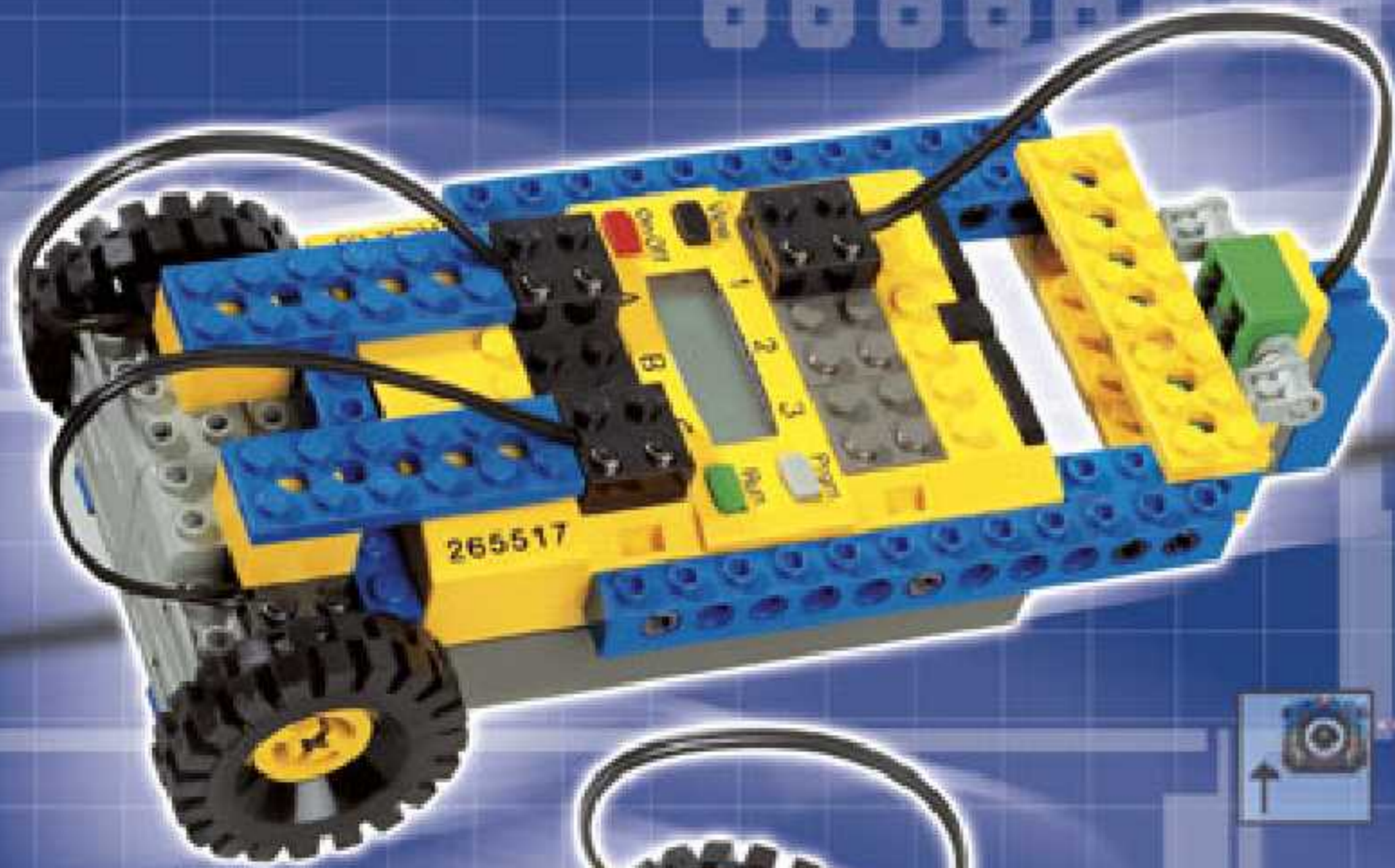


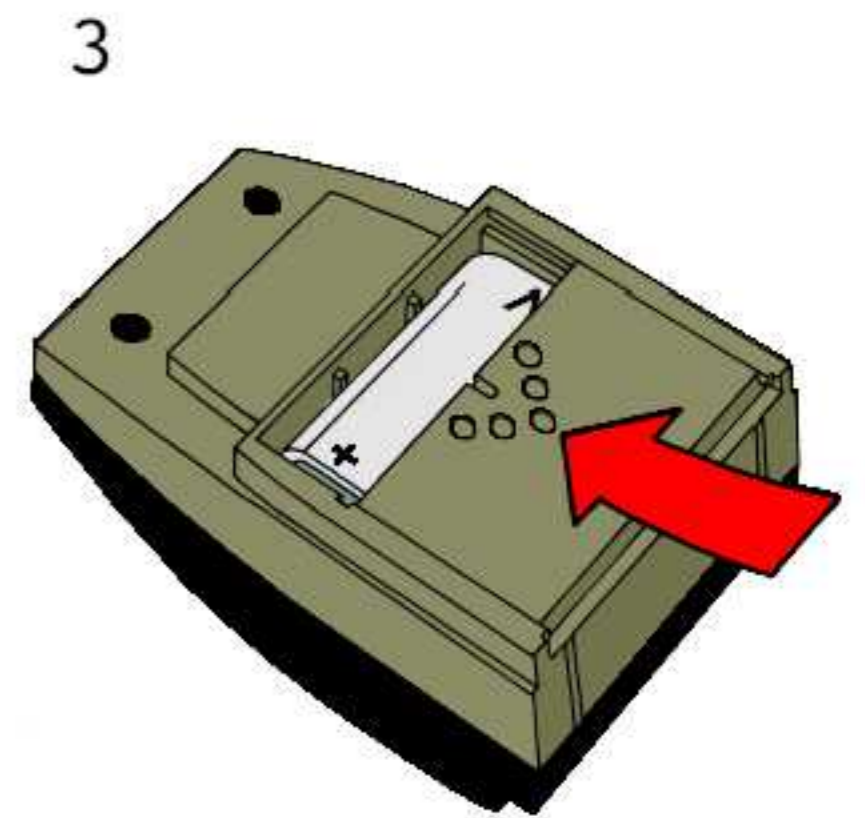
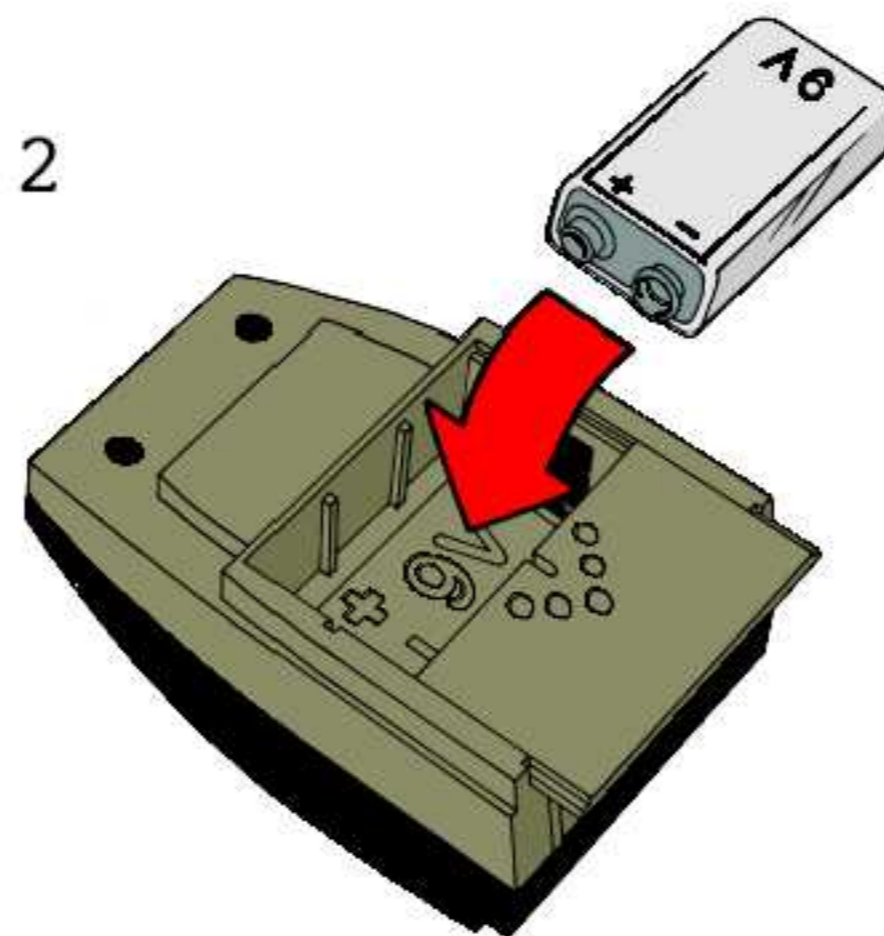
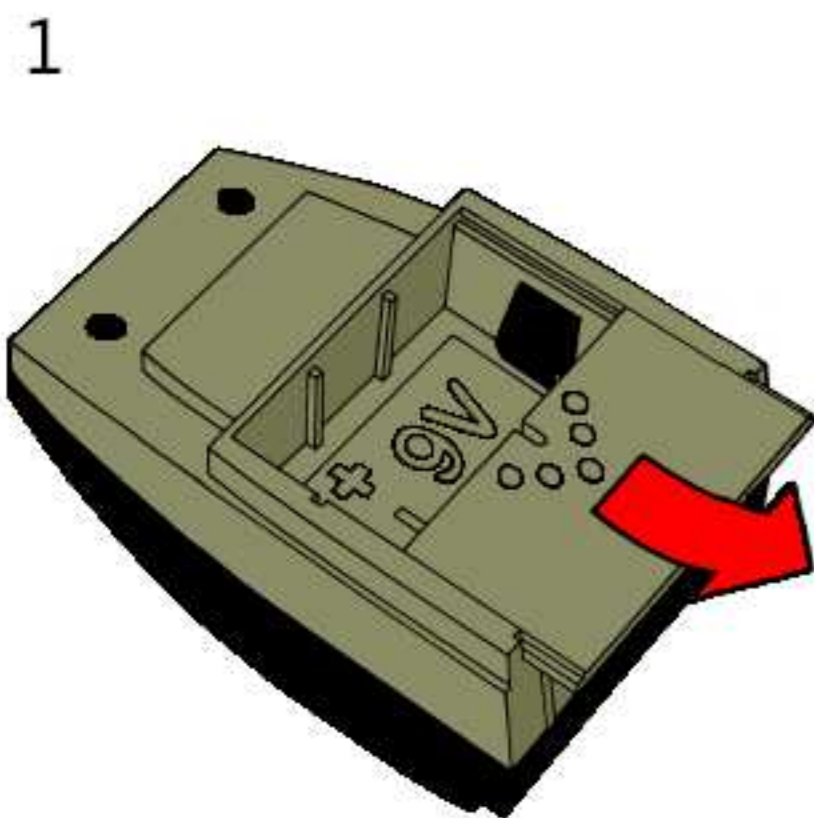
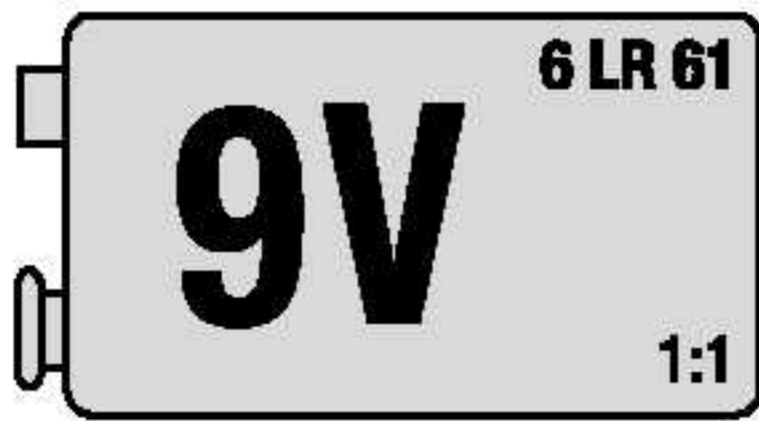
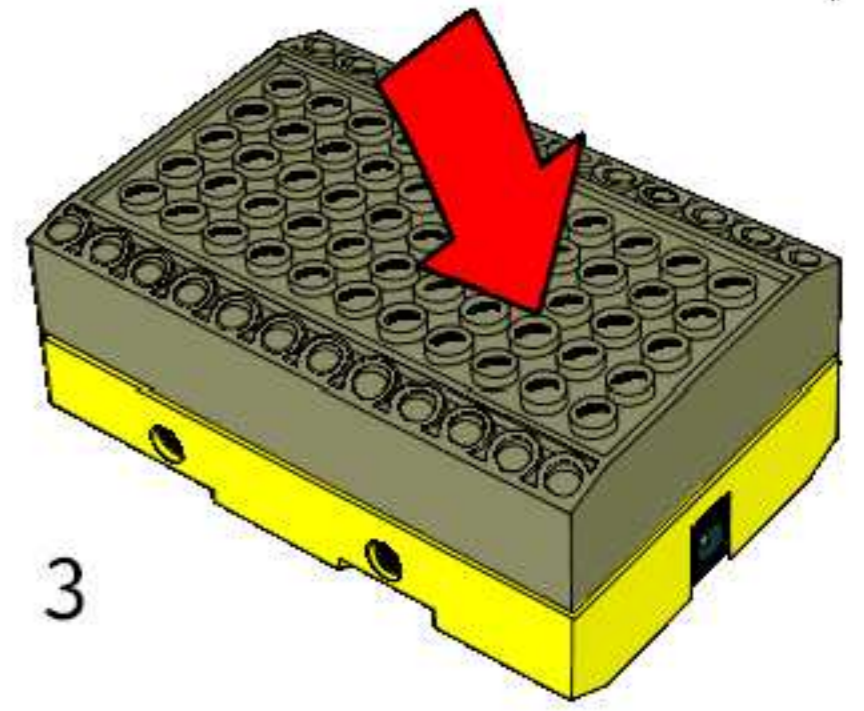
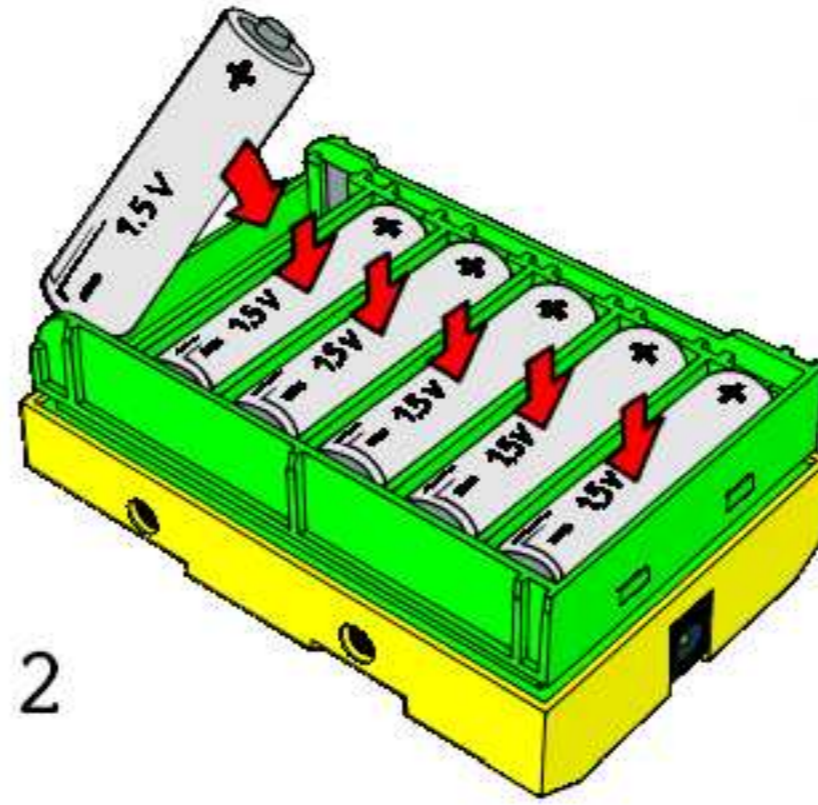
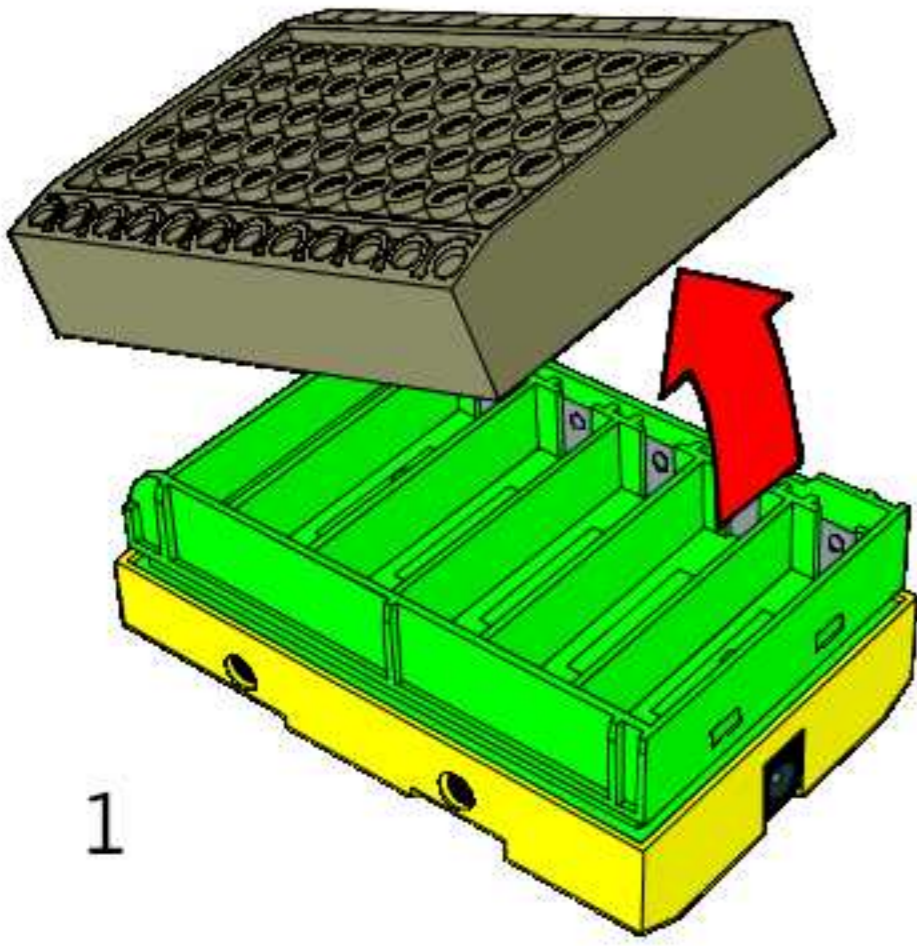


MINDSTORMS™

FOR SCHOOLS

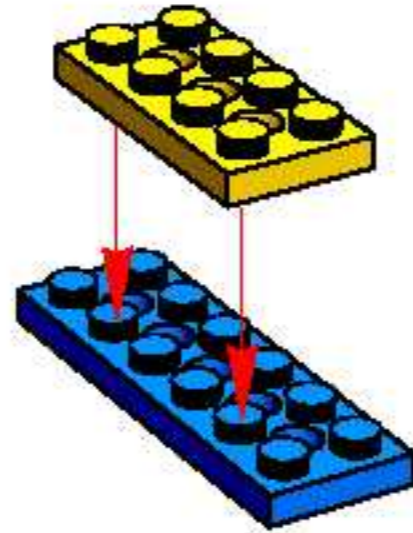
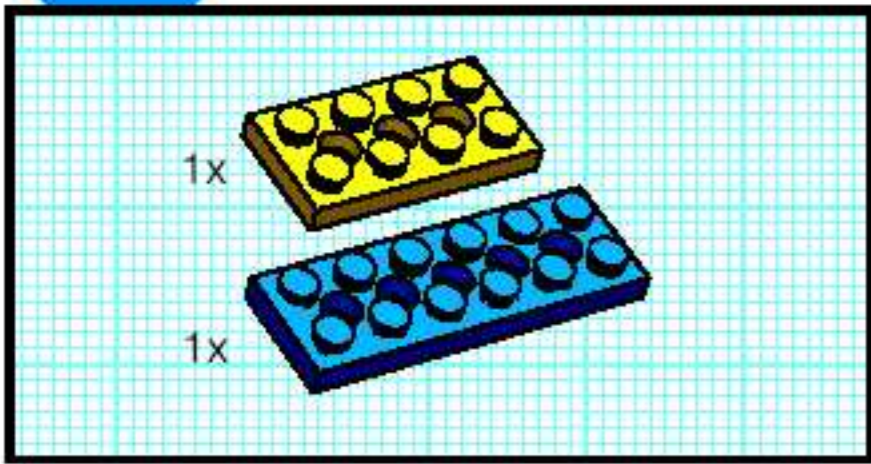
9785
9786



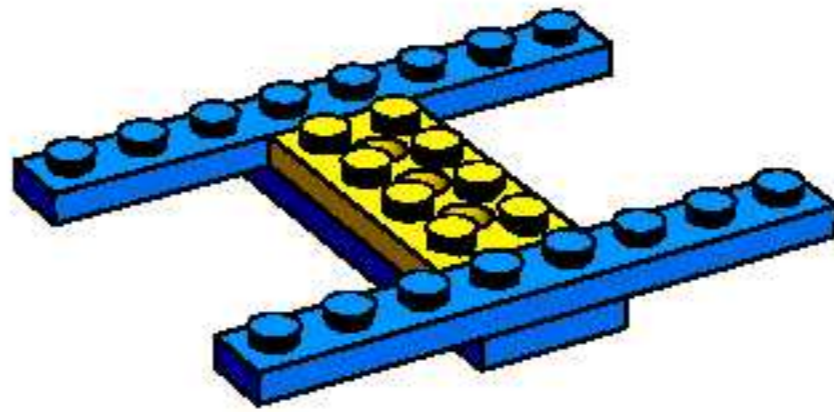
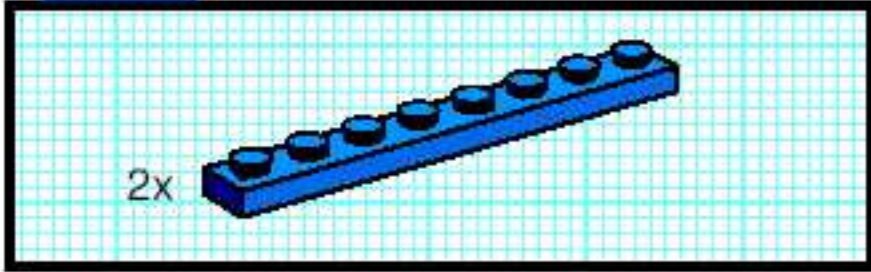




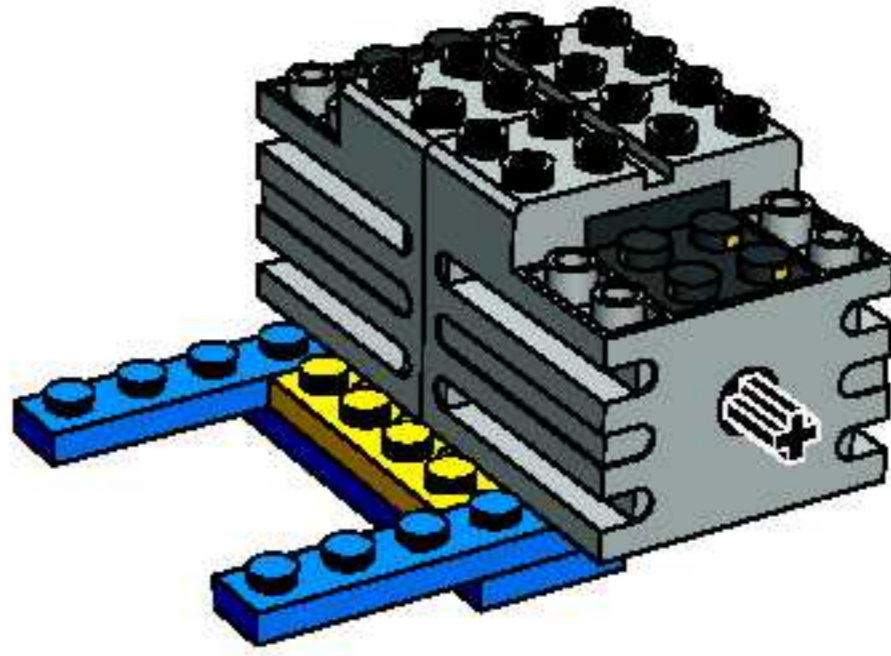
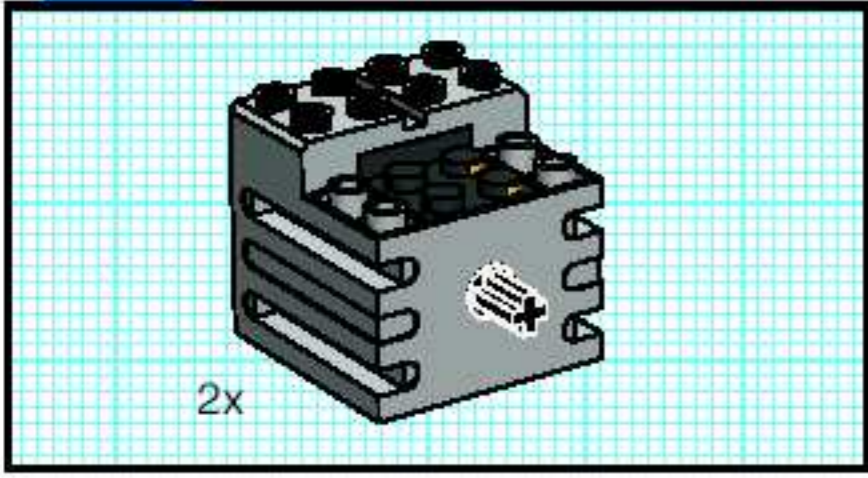
1



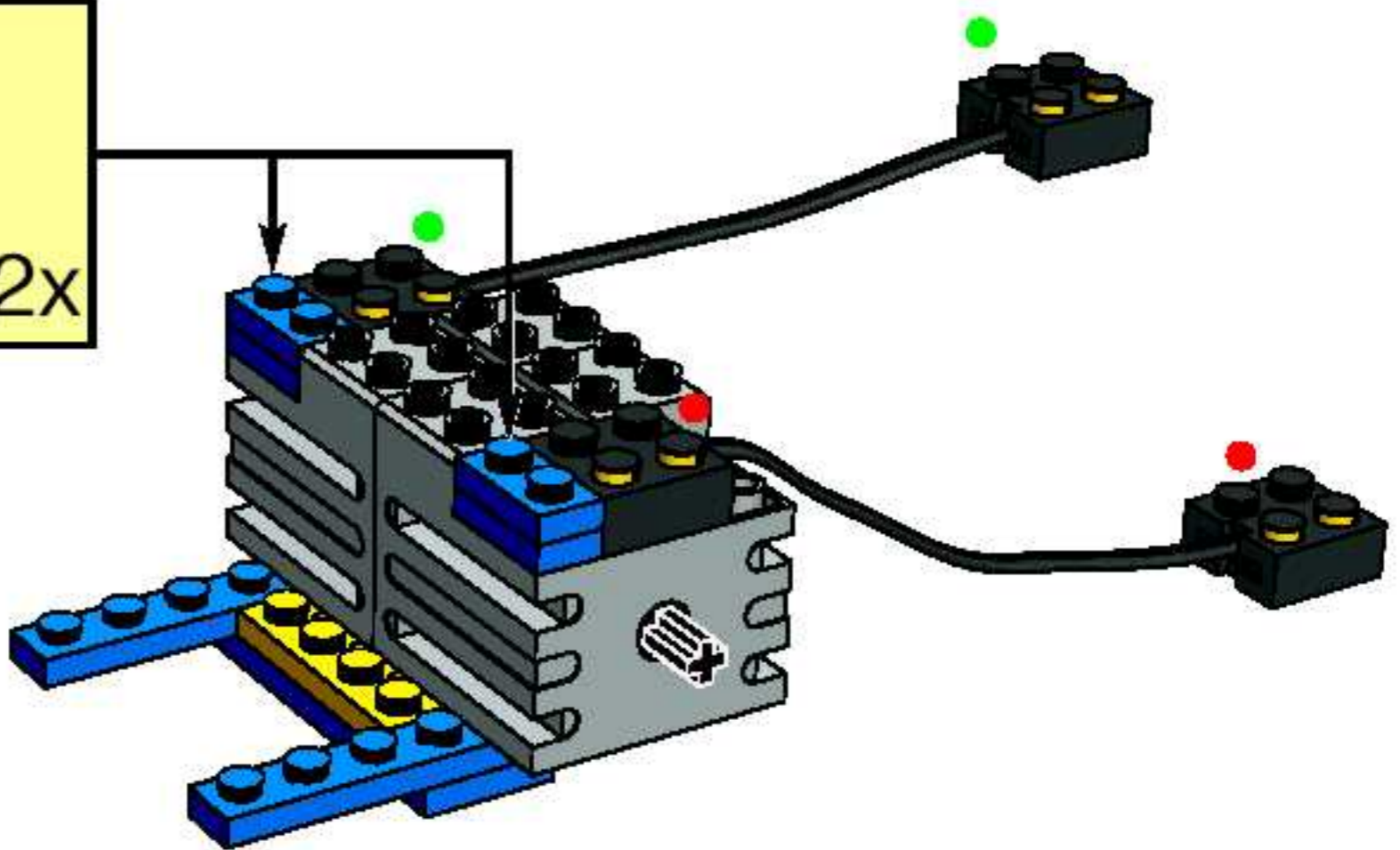
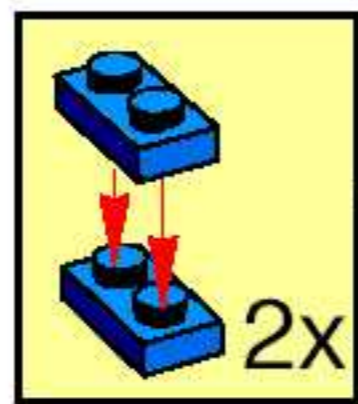
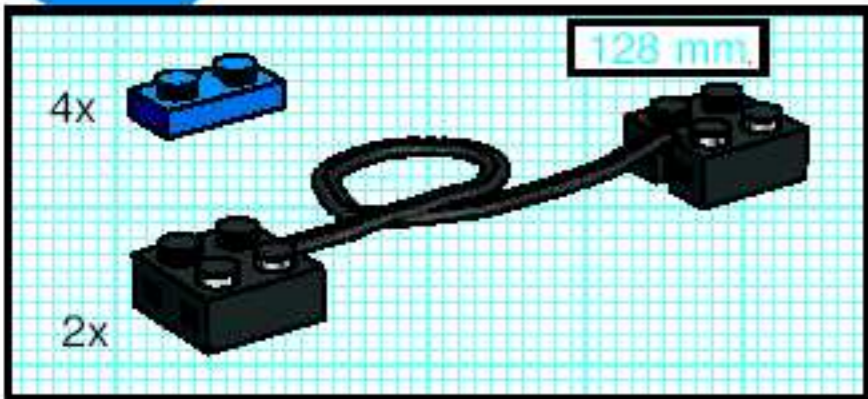
2



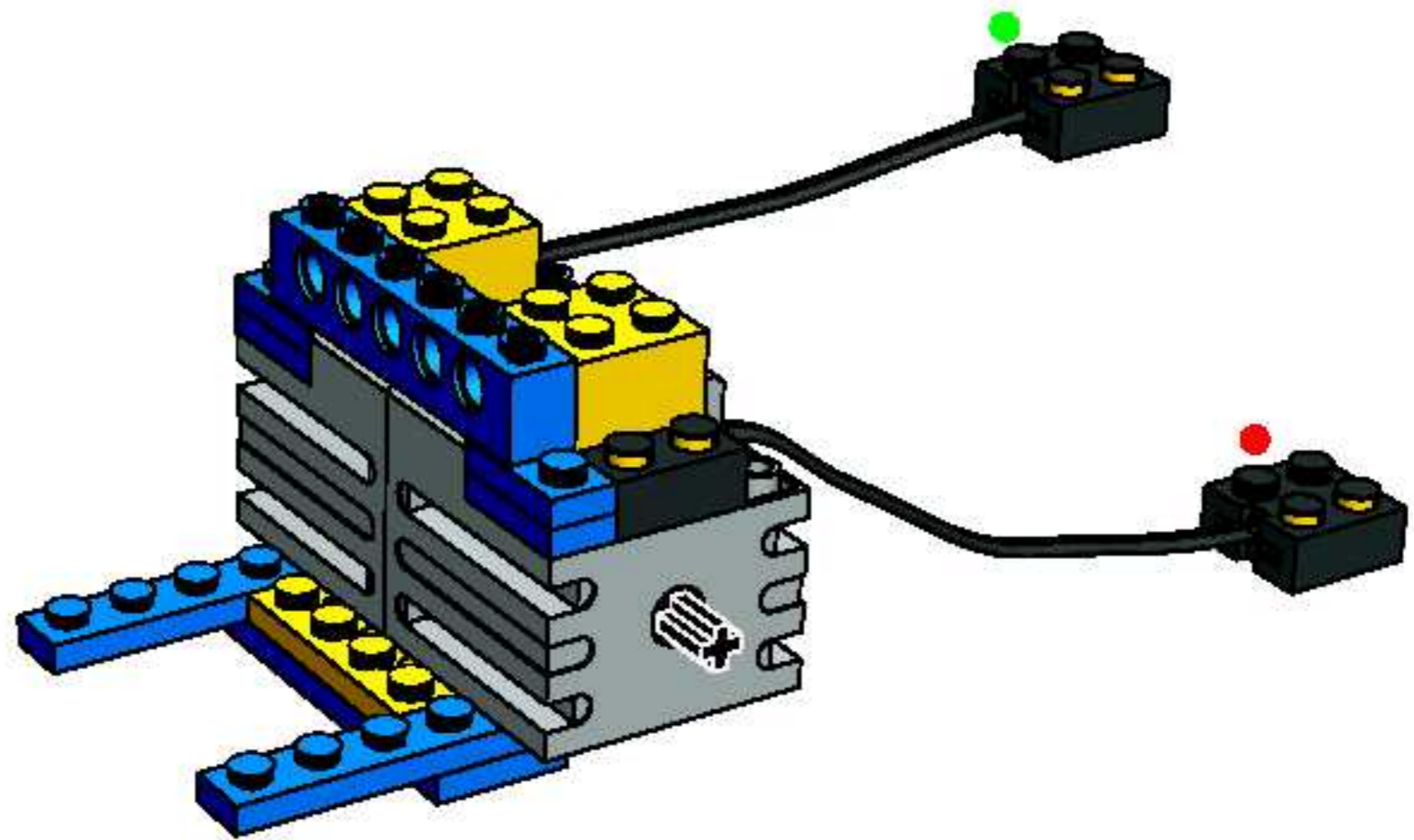
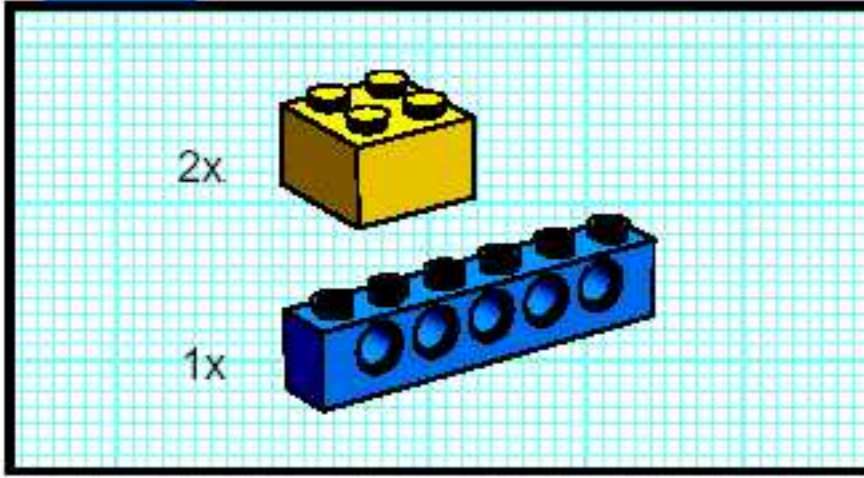
3



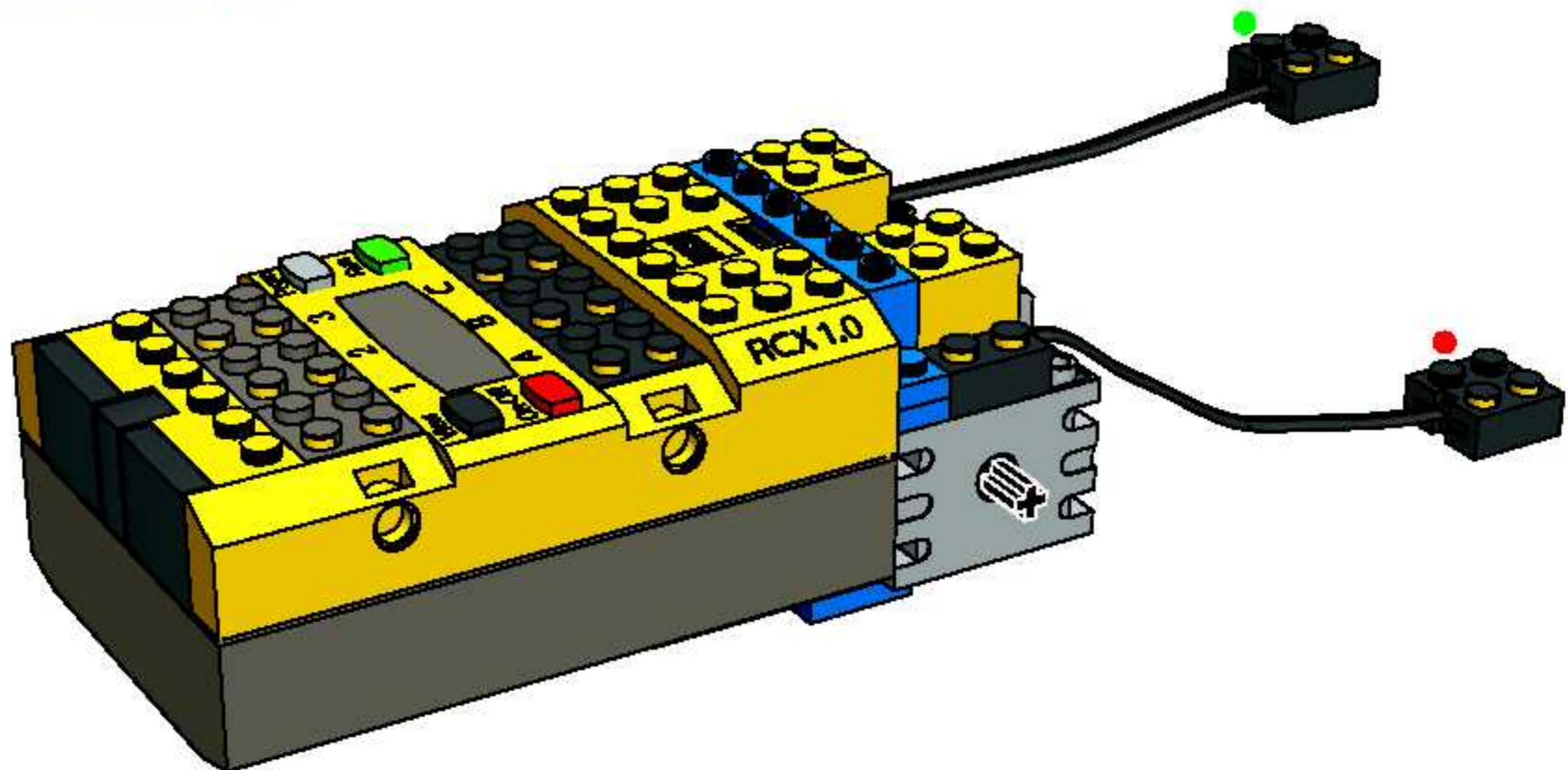
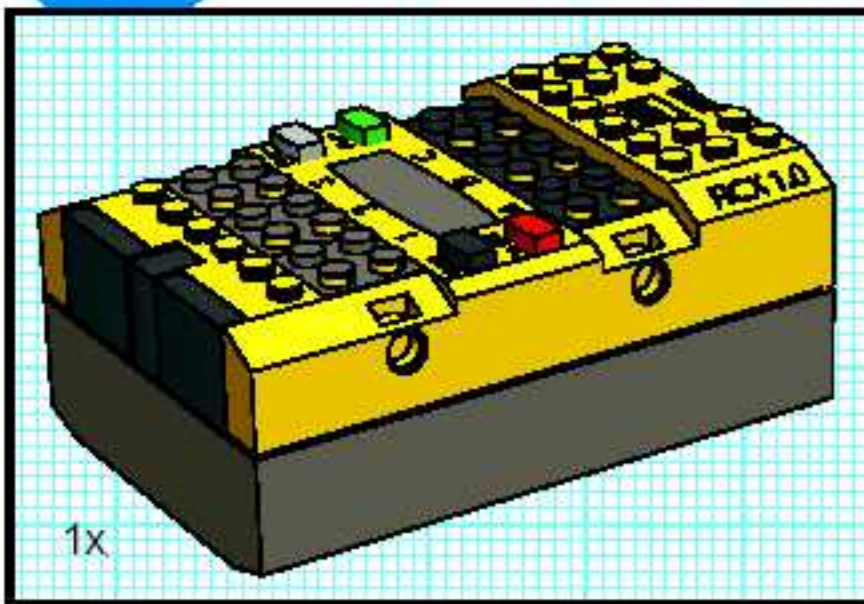
4



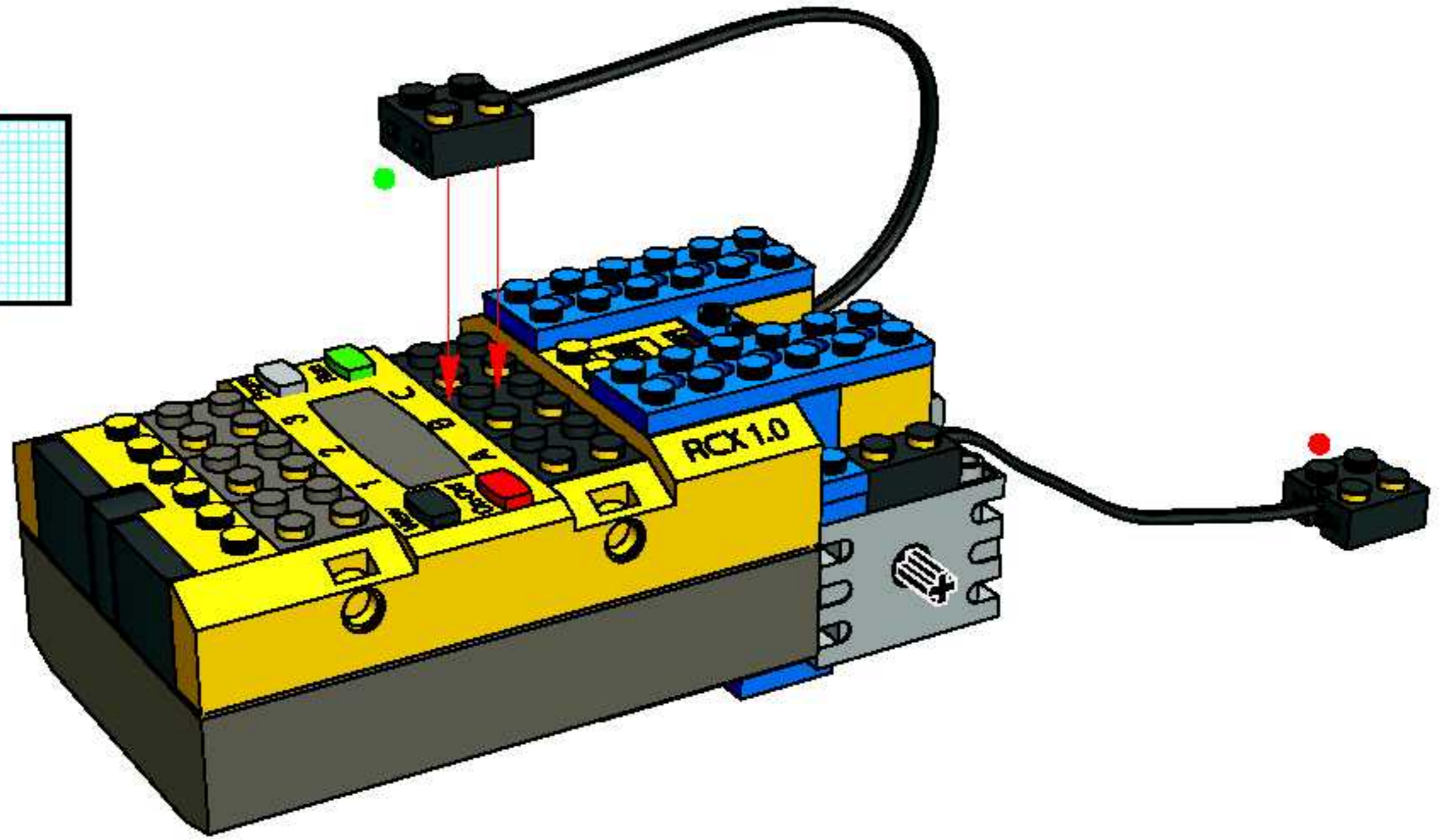
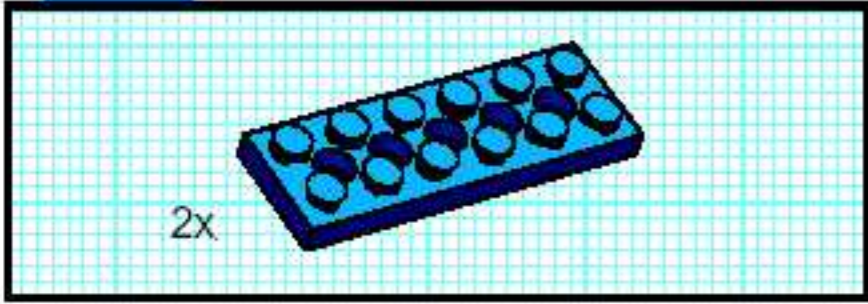
5



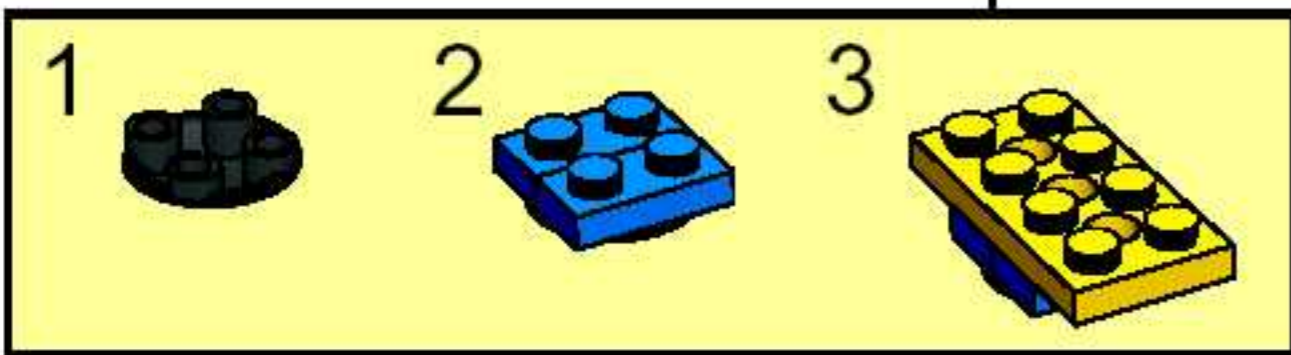
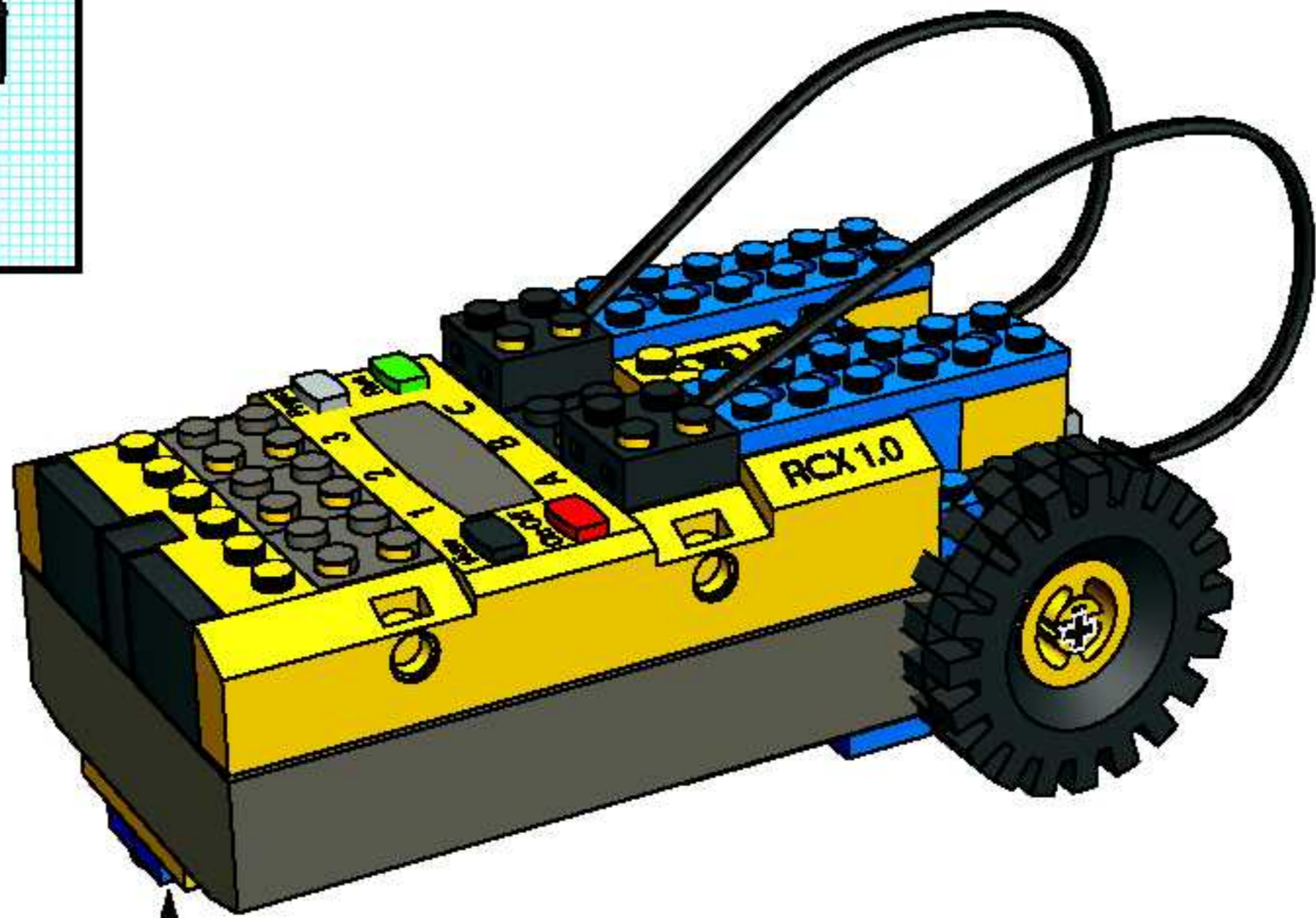
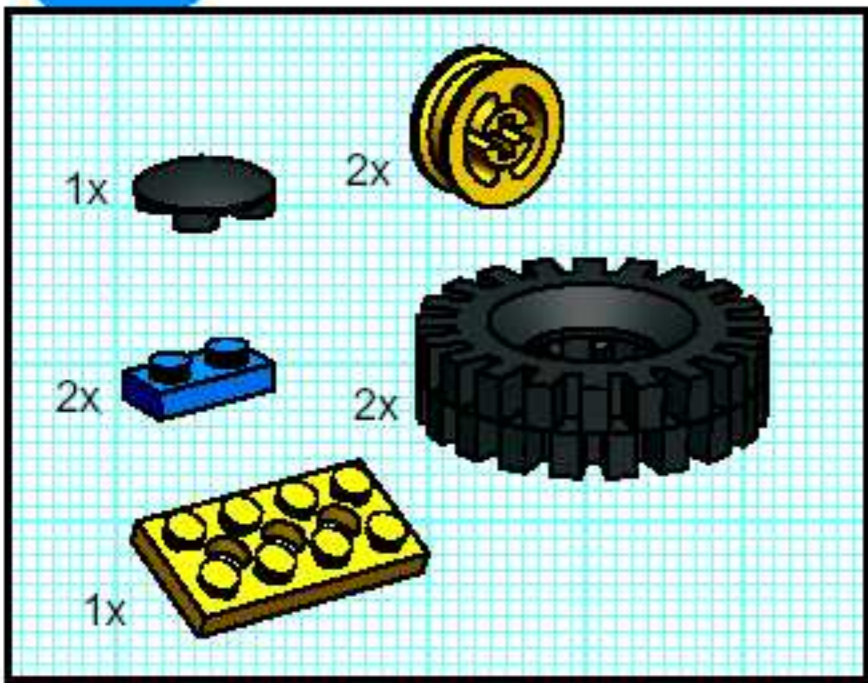
6



7

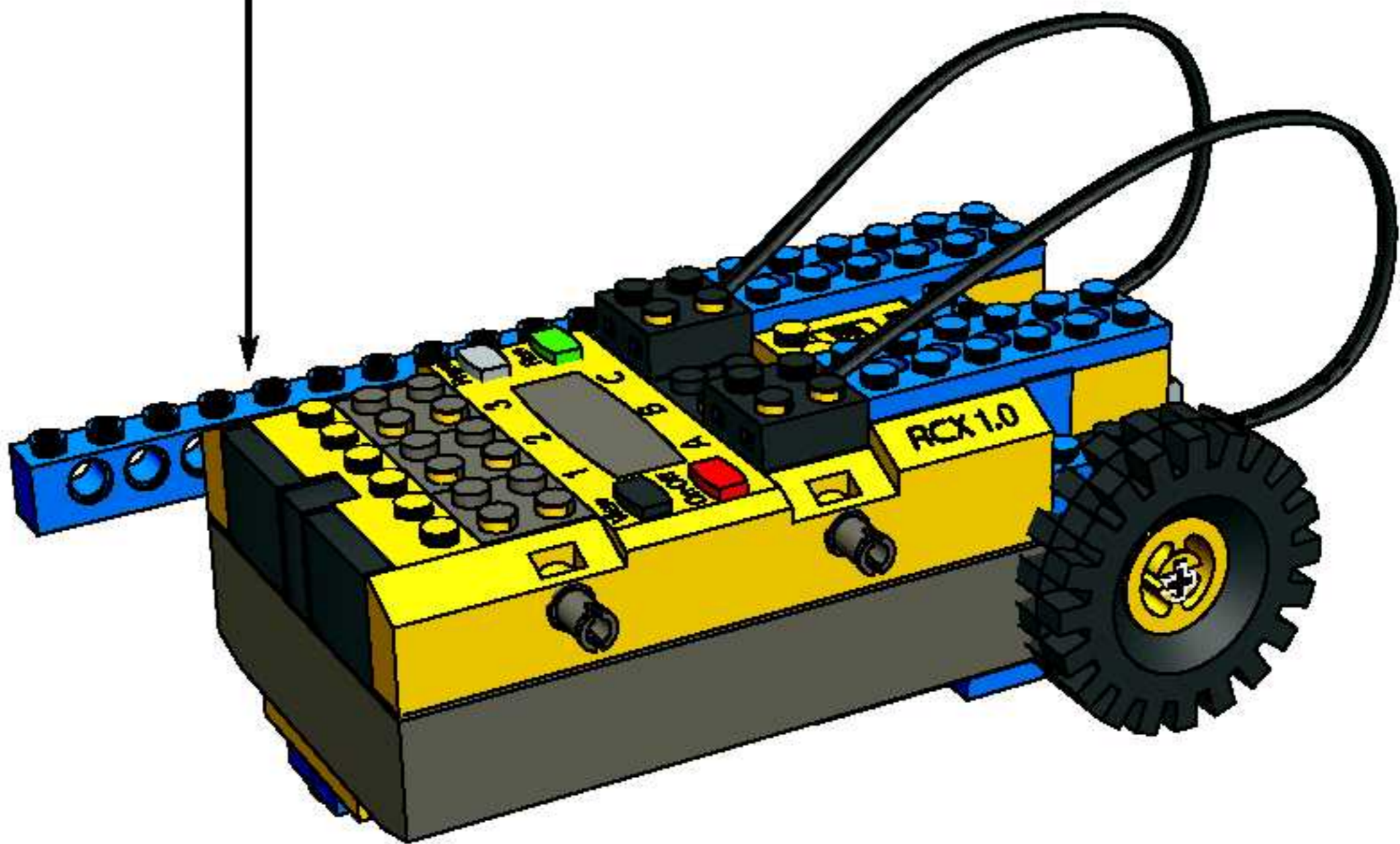
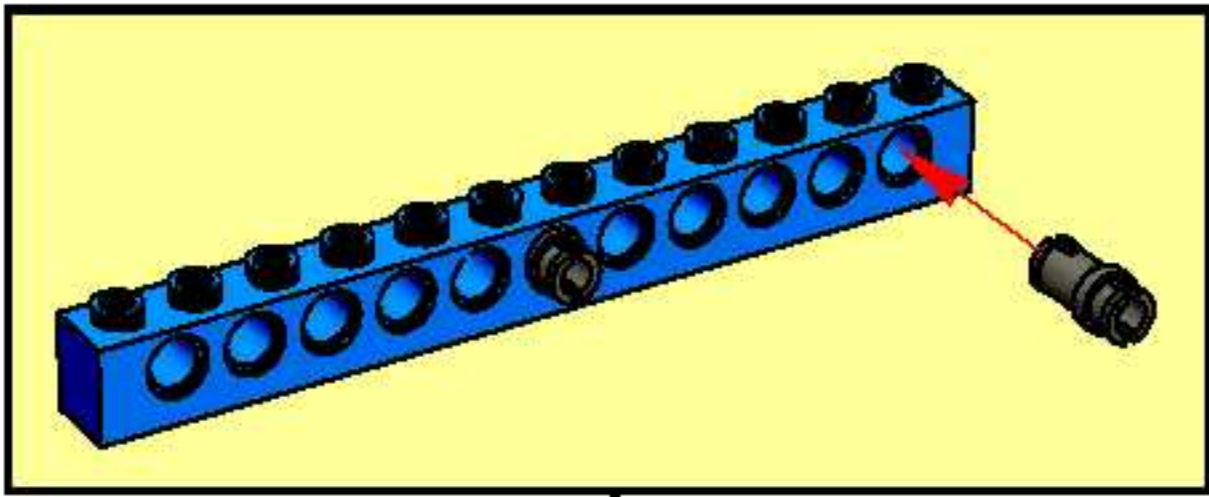
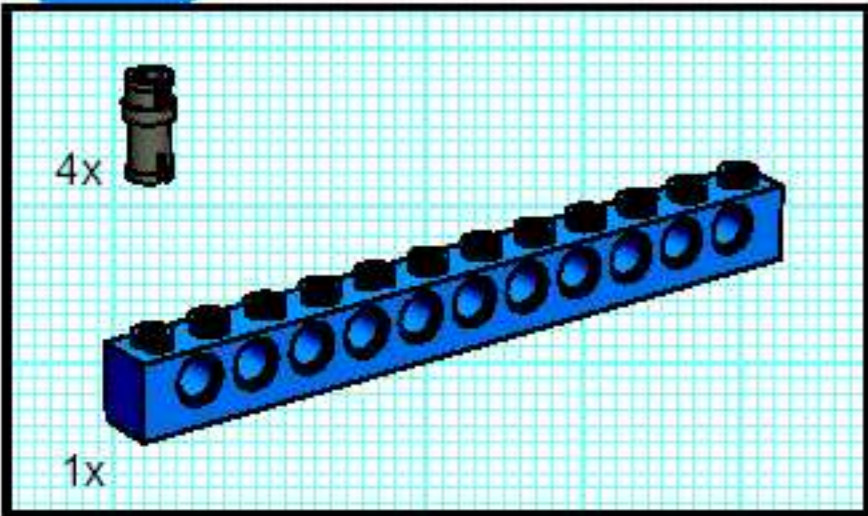


8

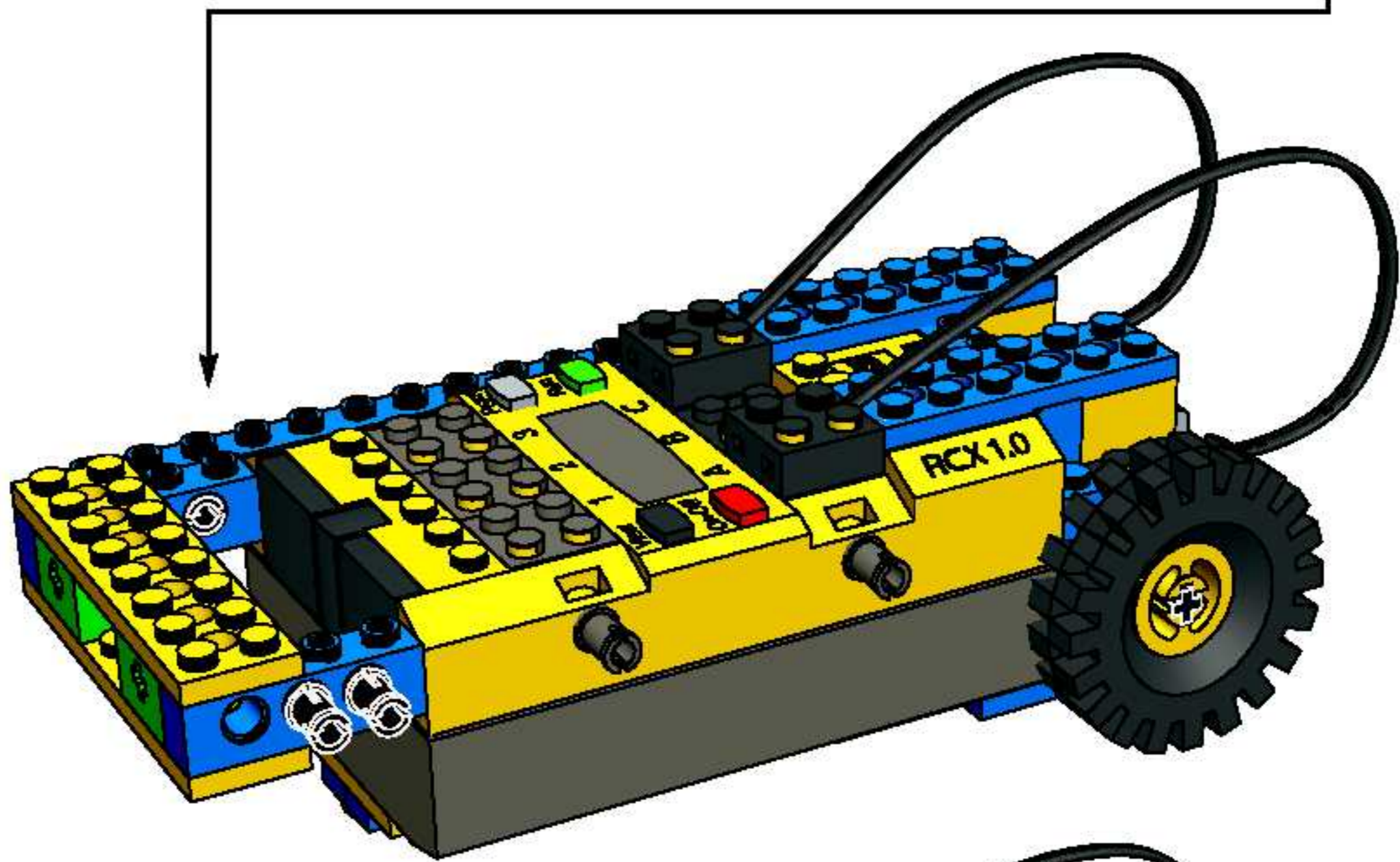
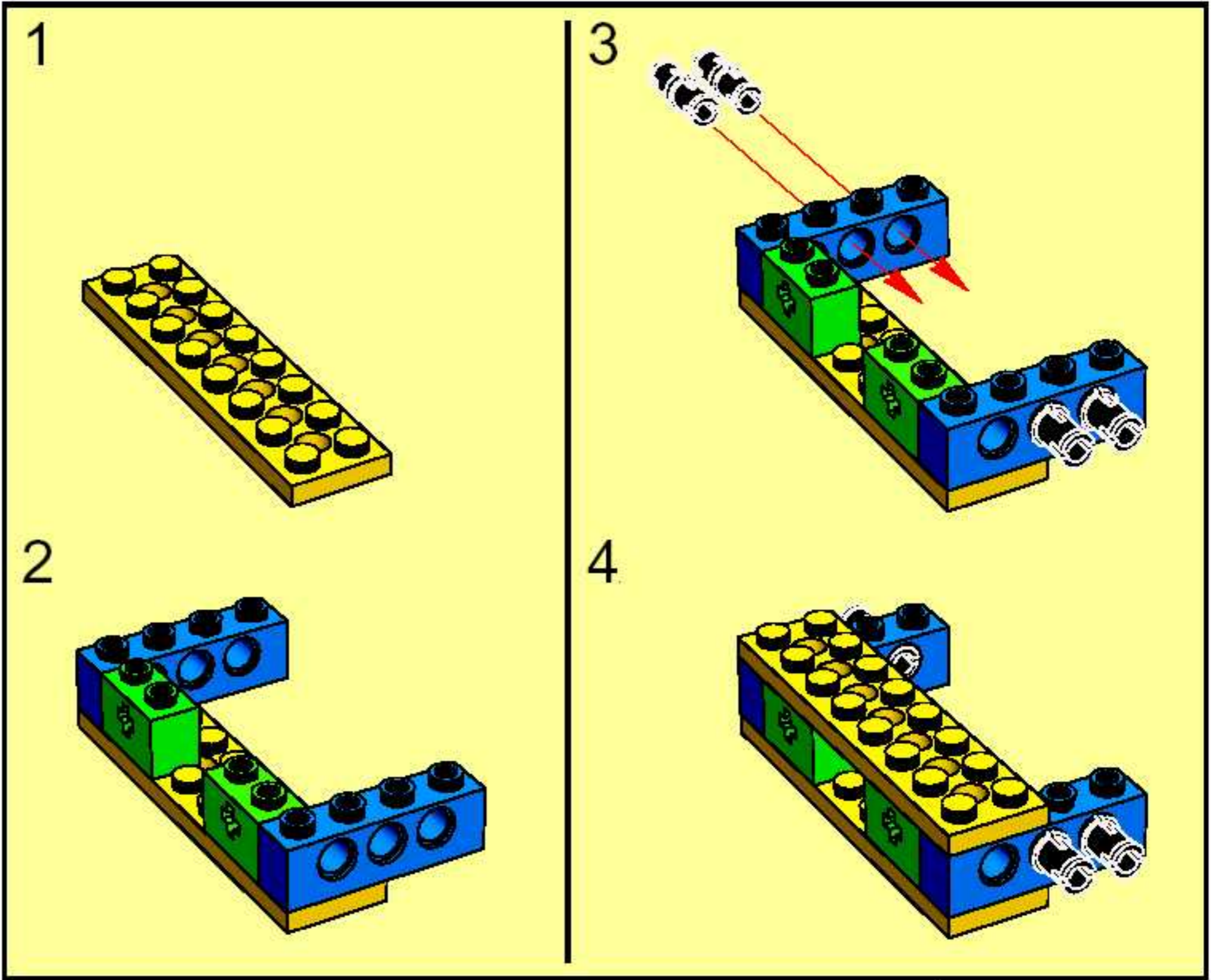
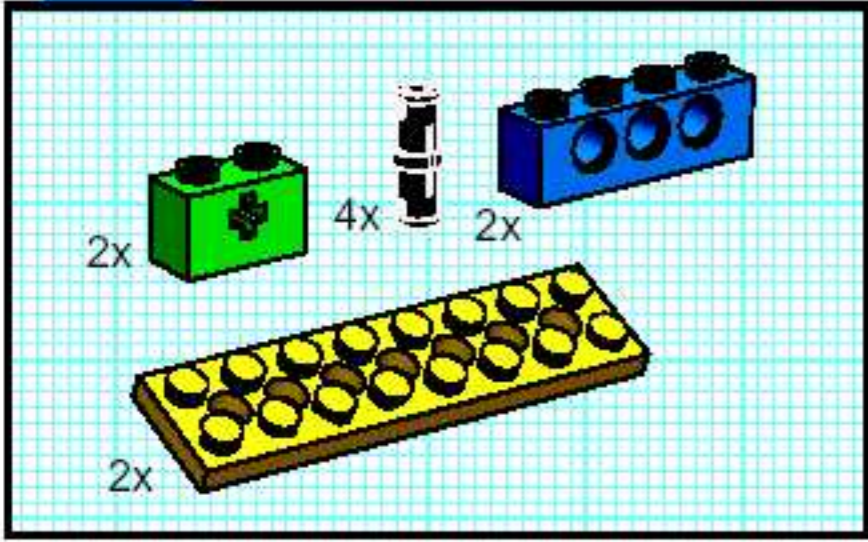




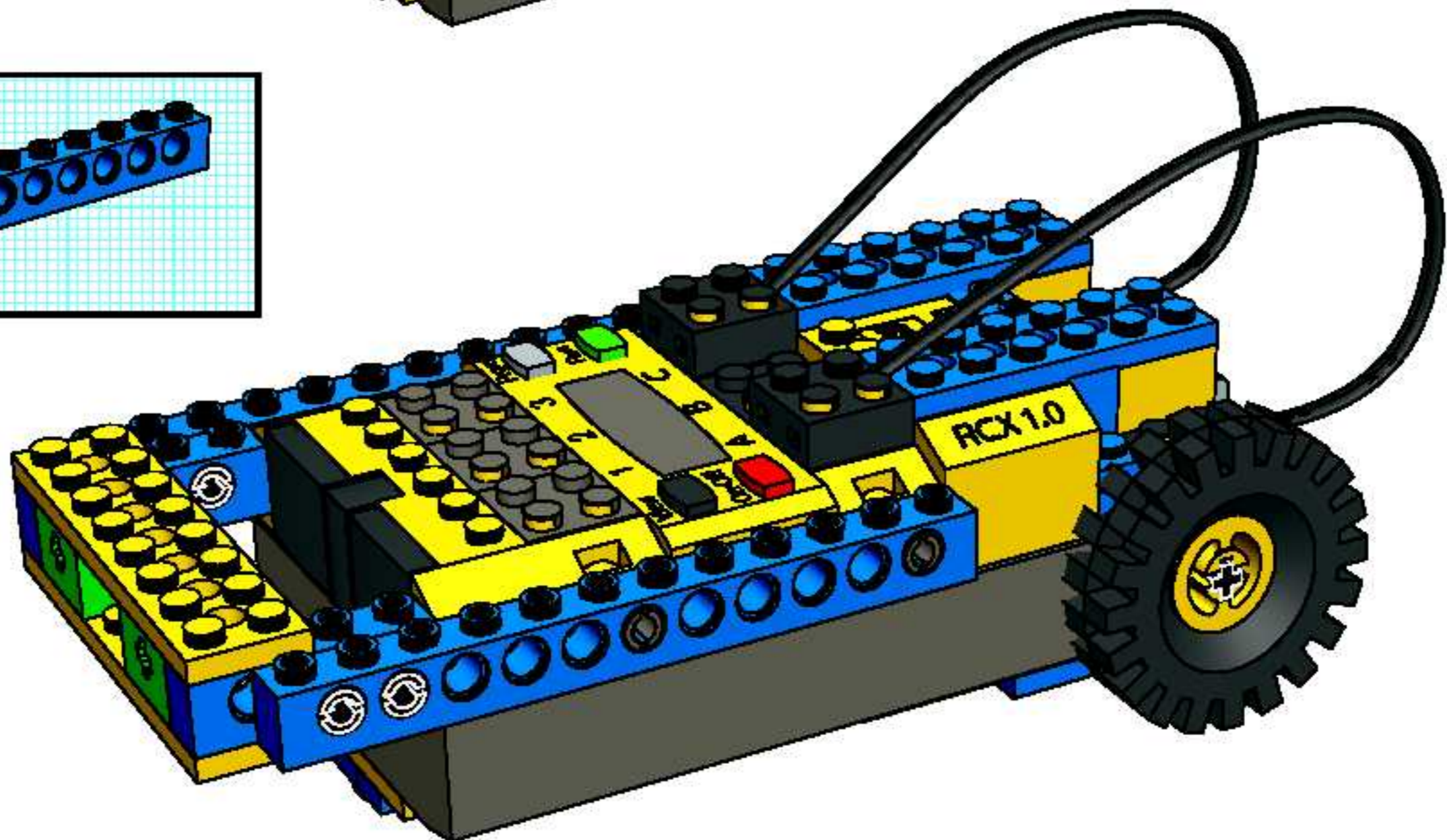
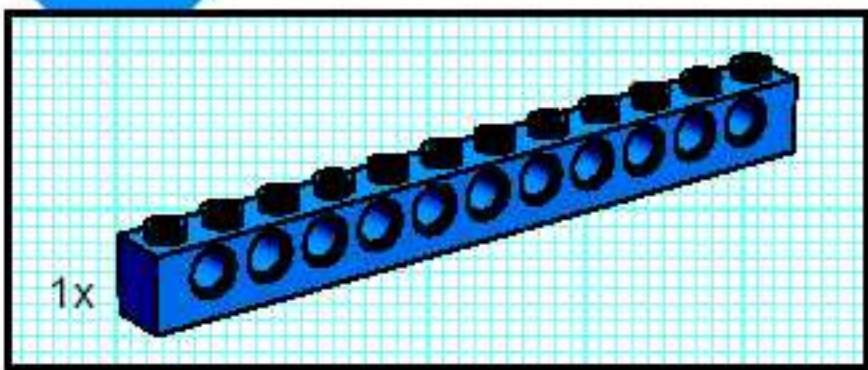
1

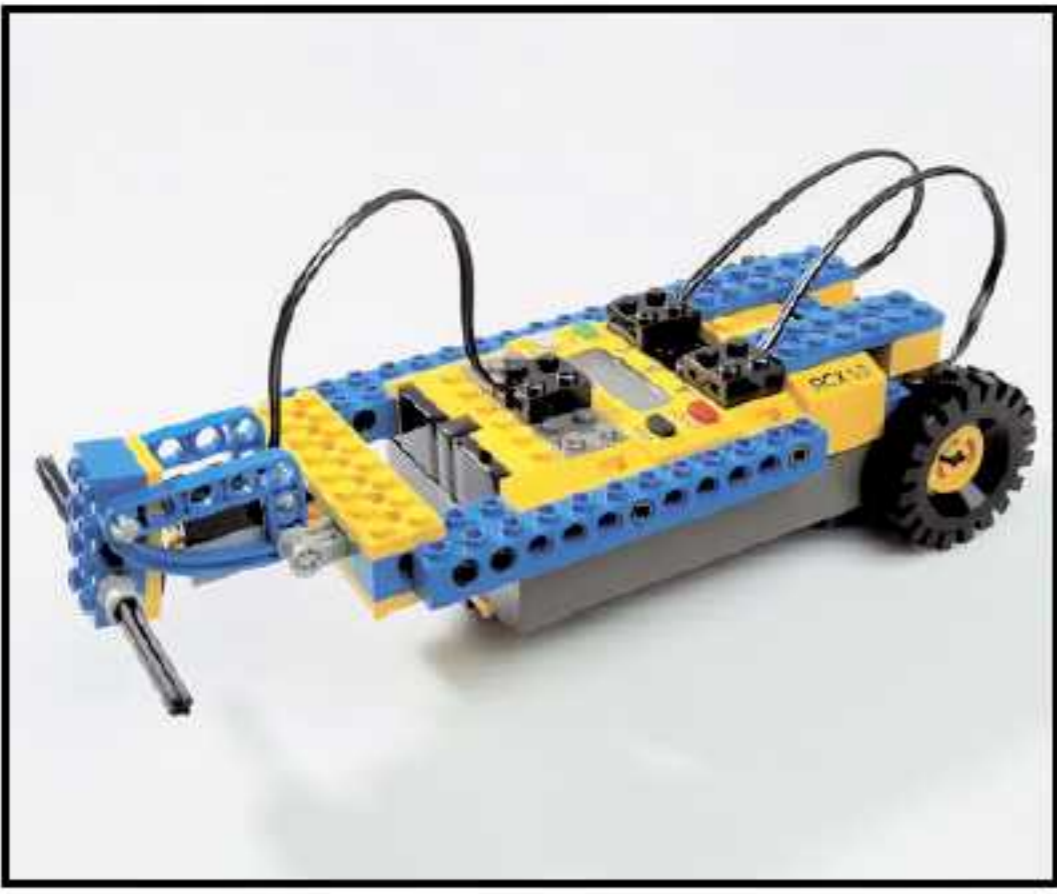


2

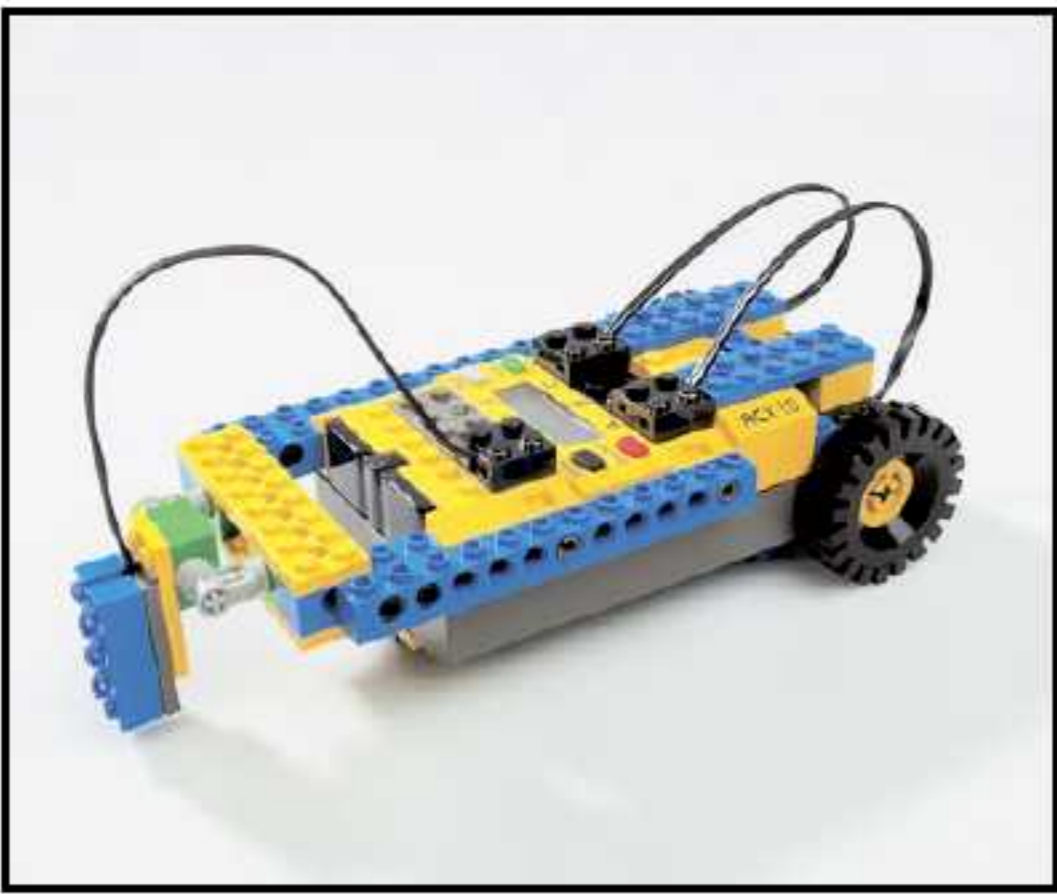


3

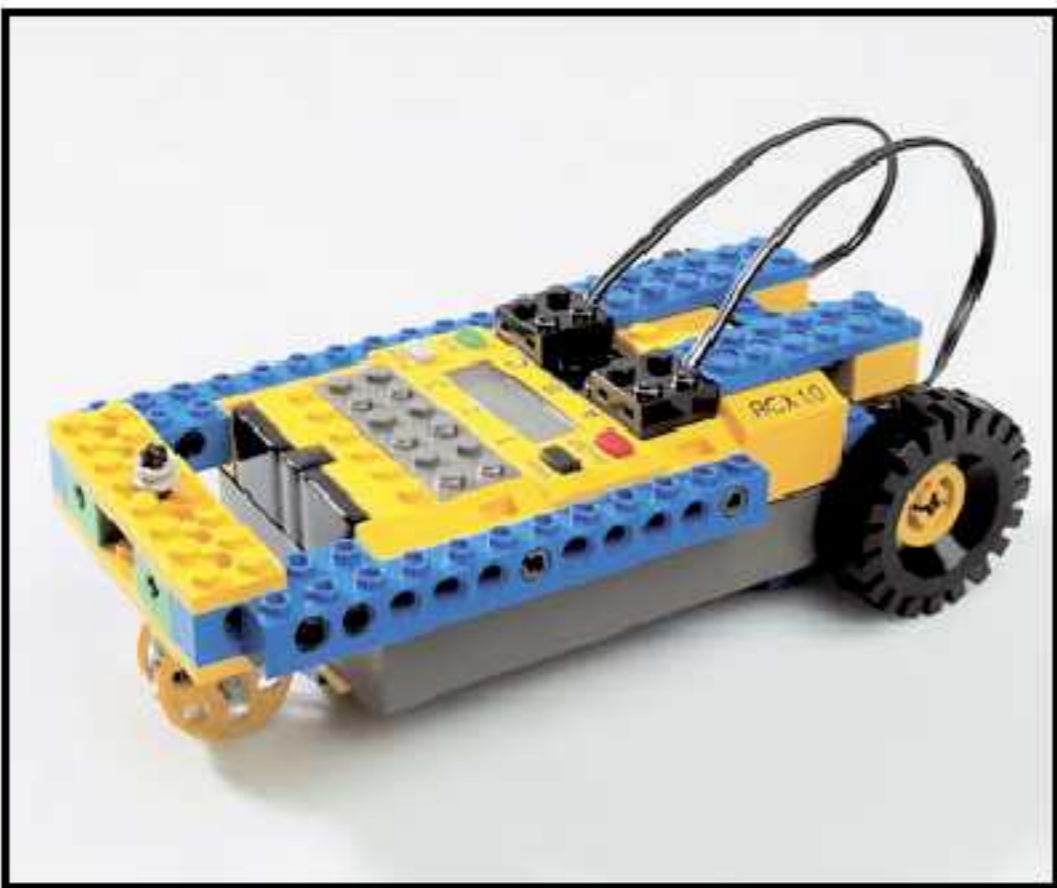




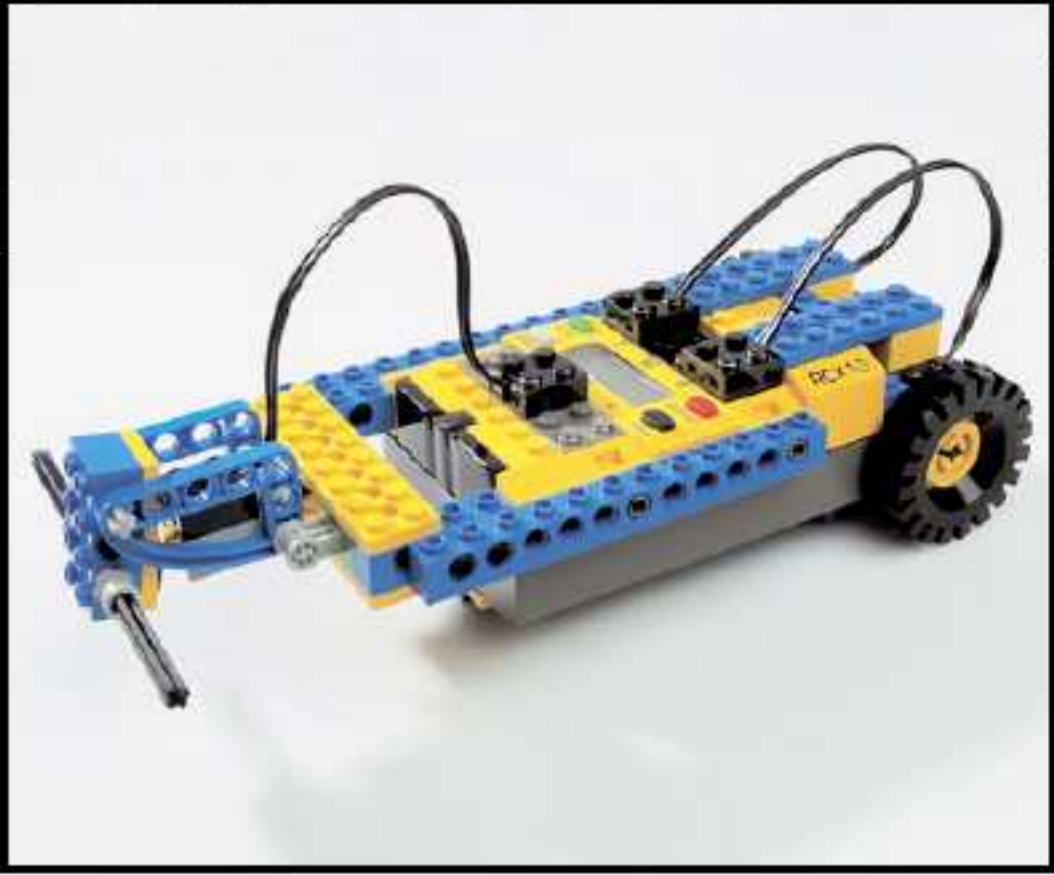
11



14



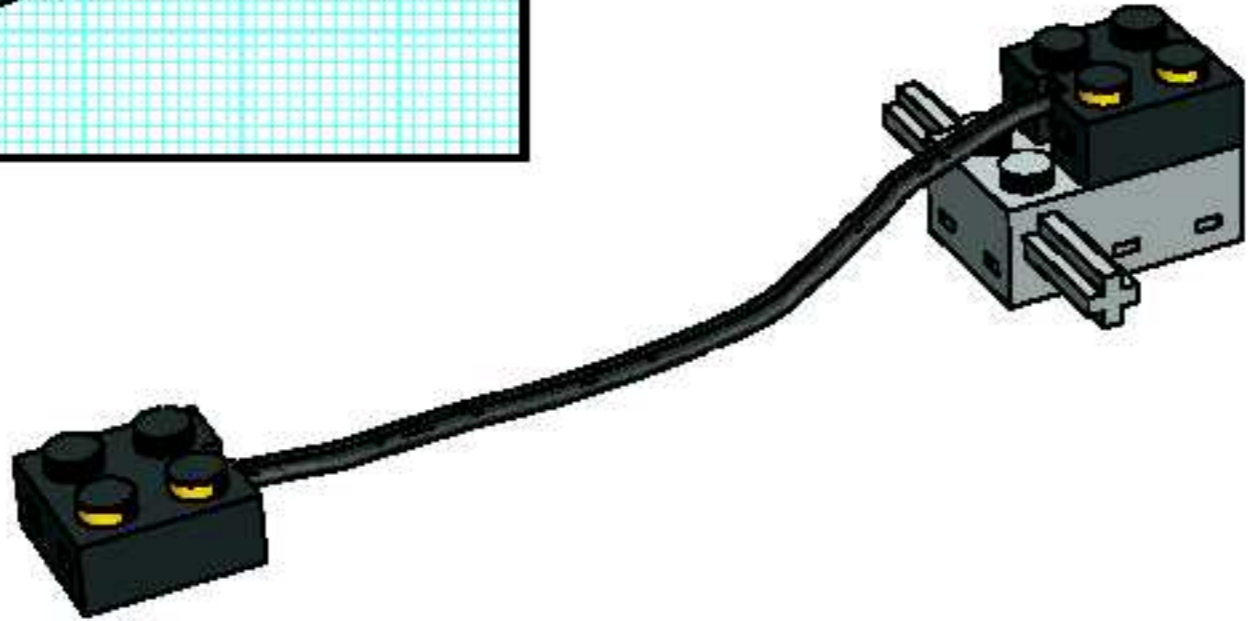
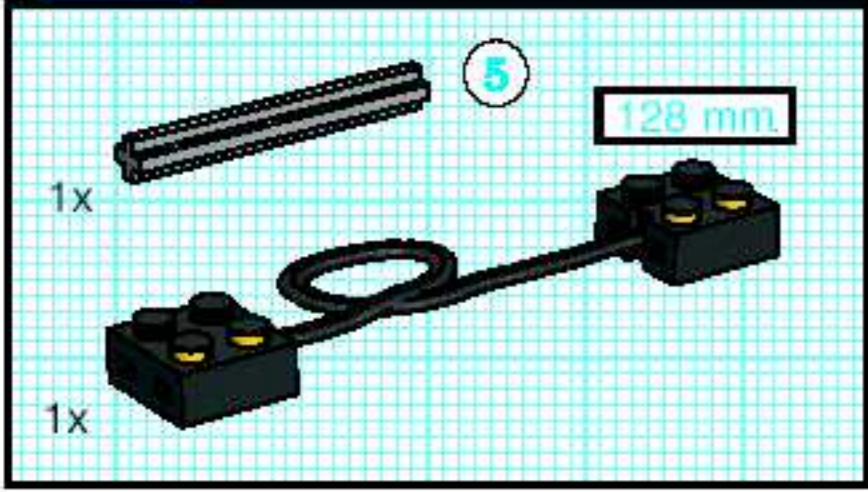
16



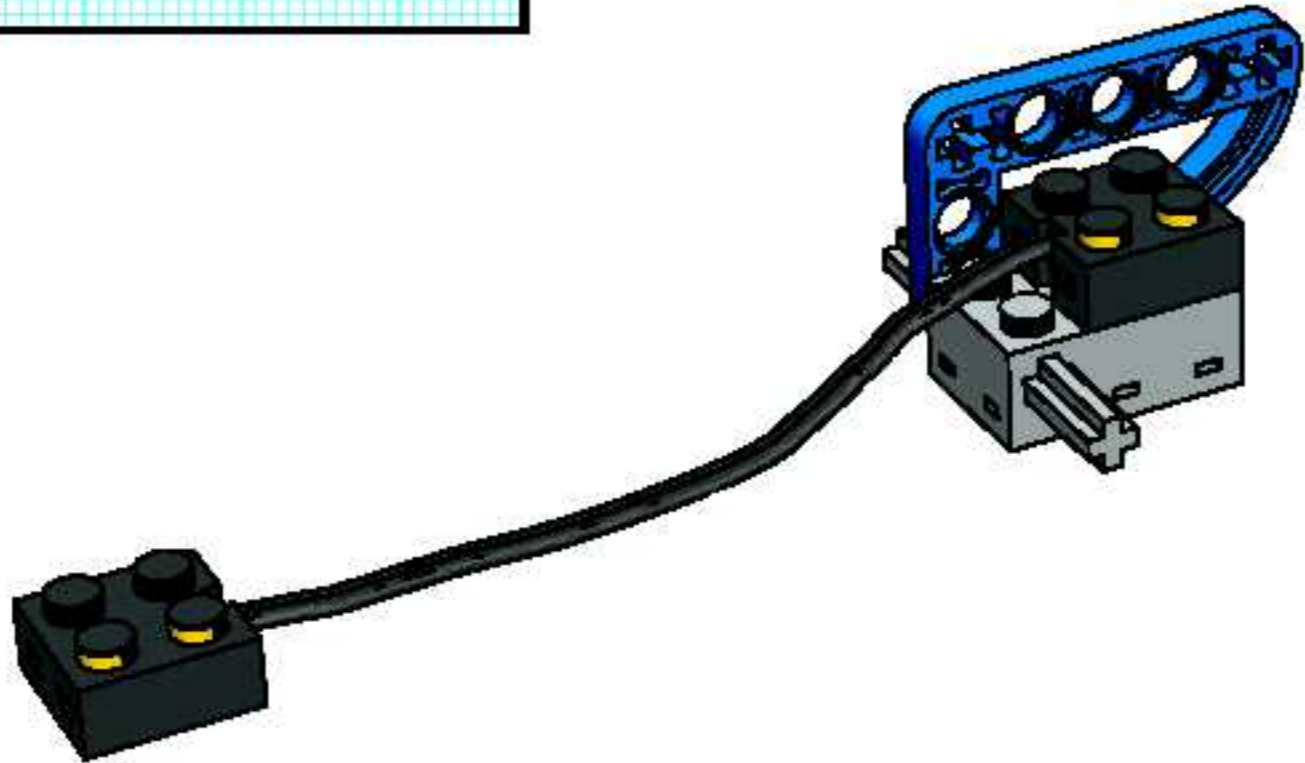
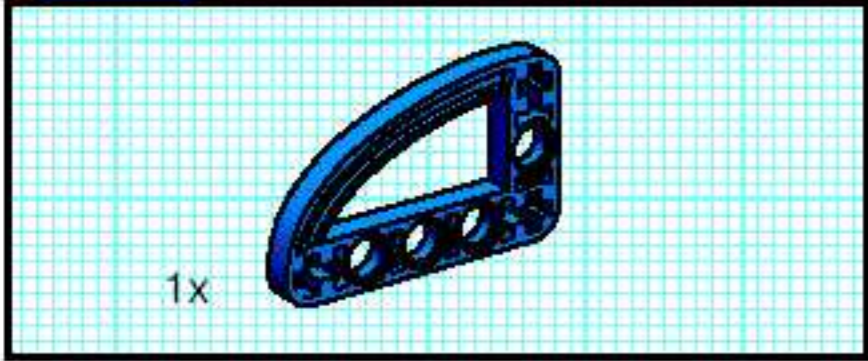
1



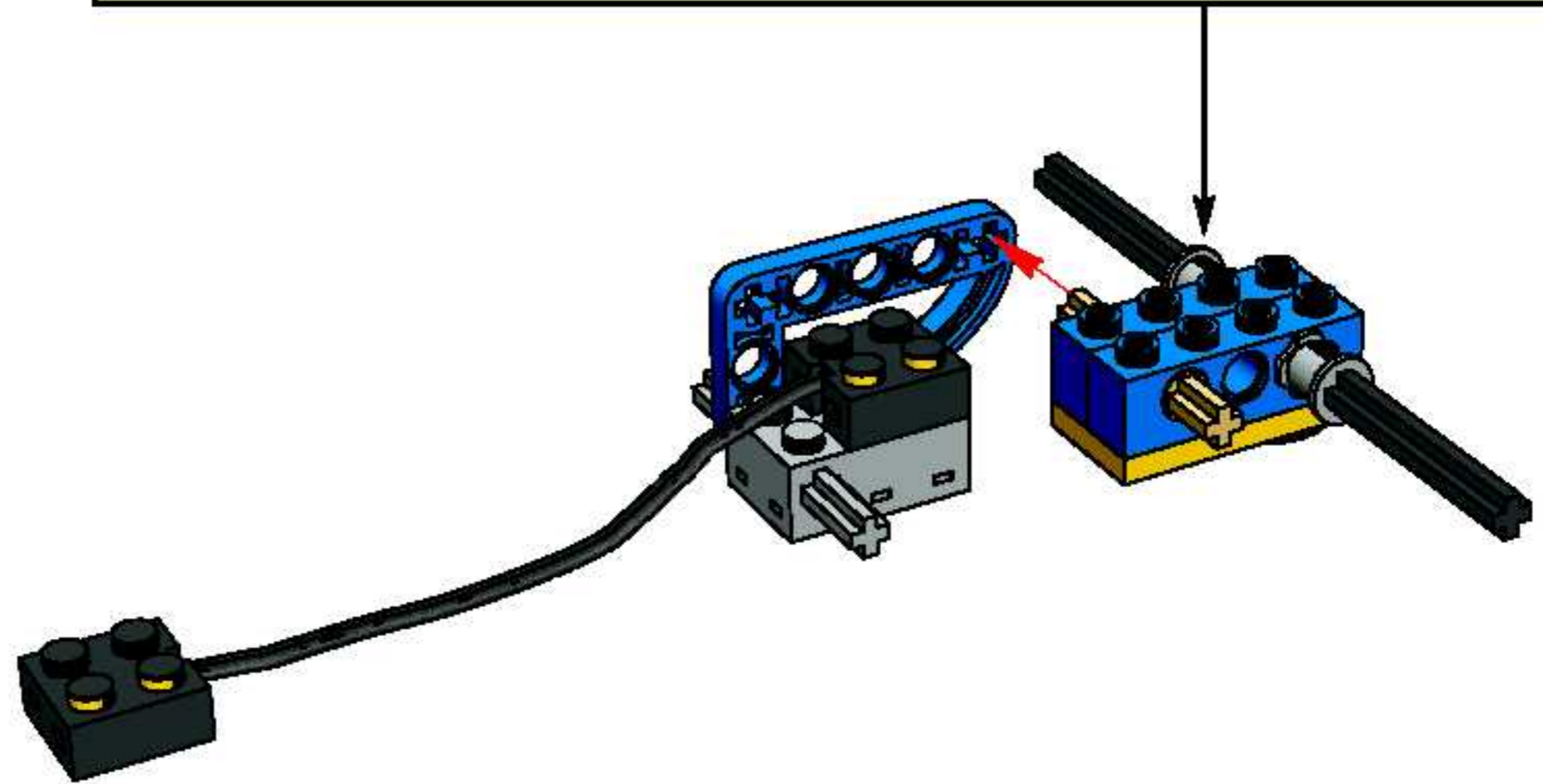
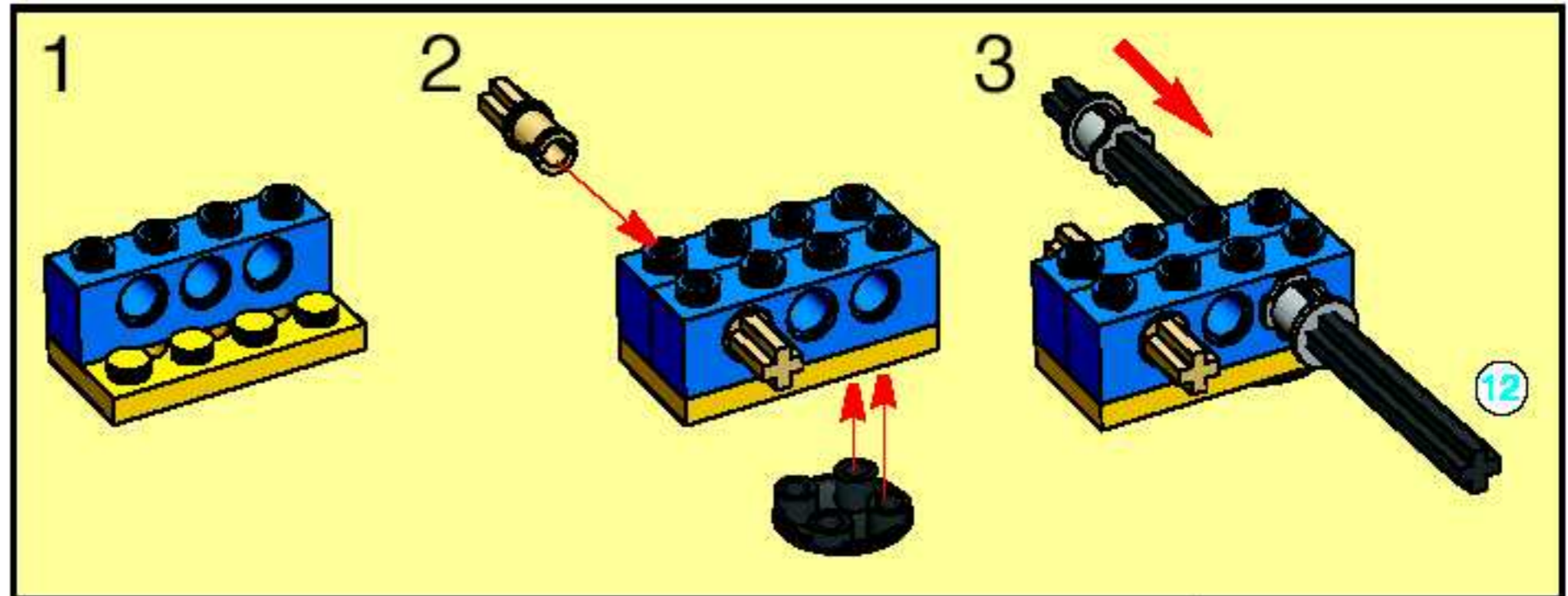
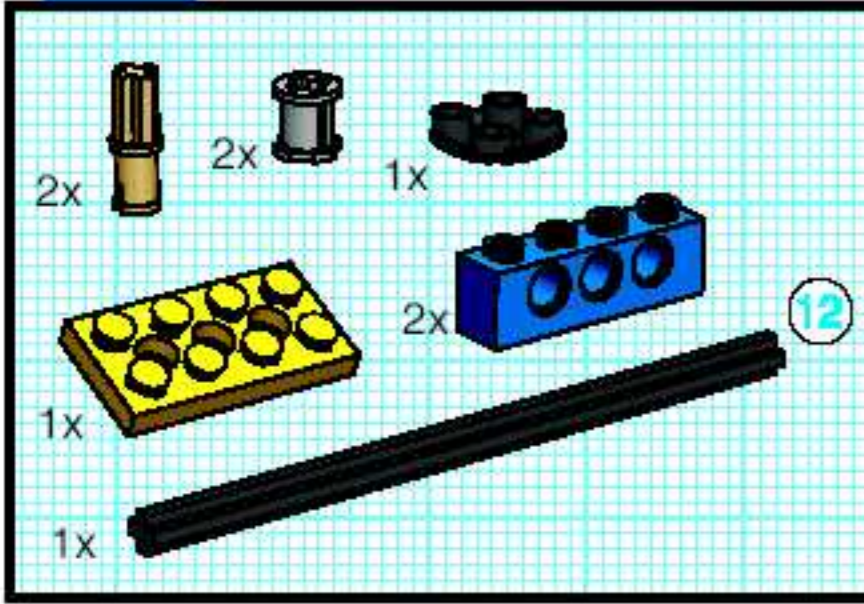
2



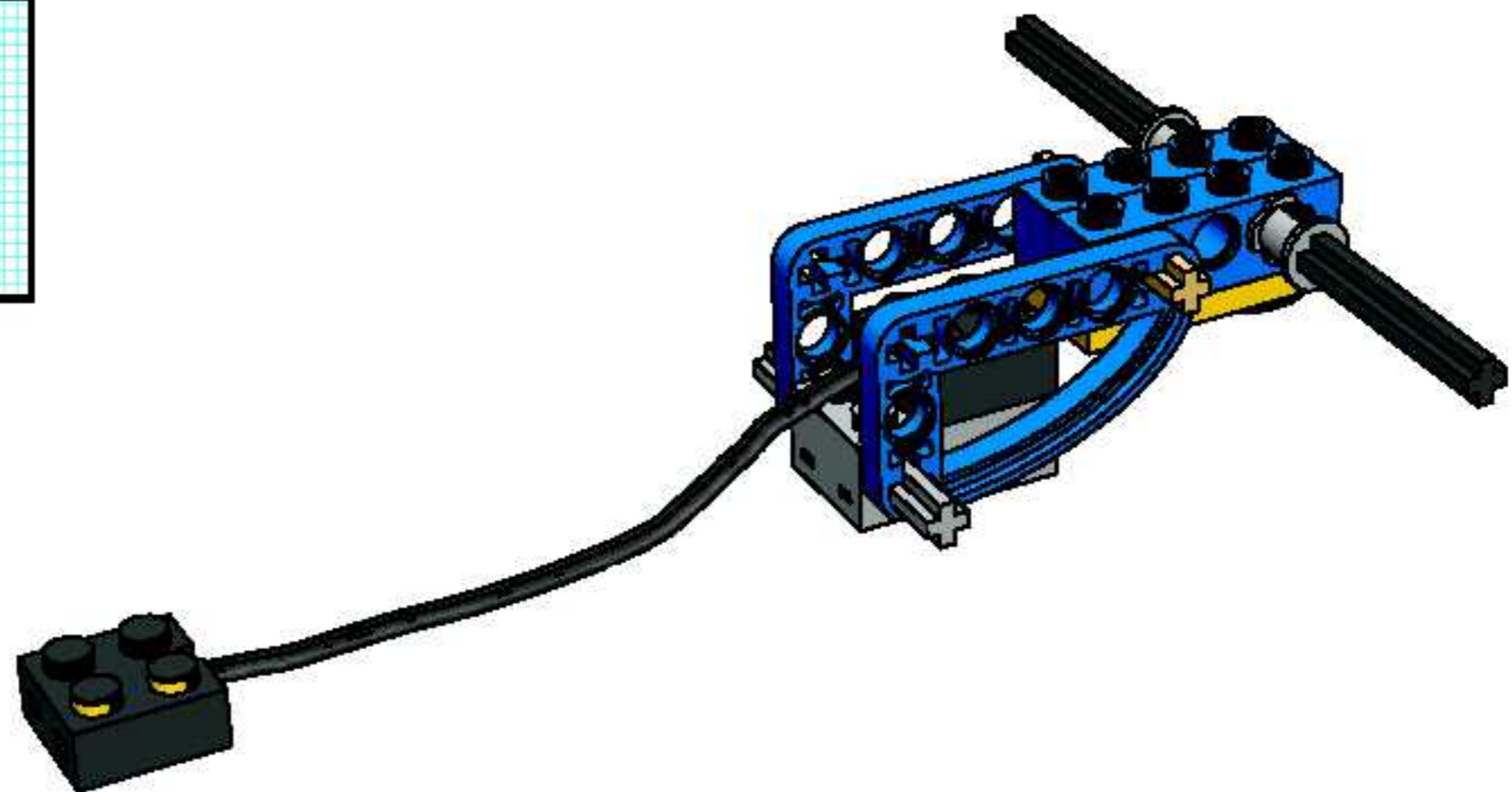
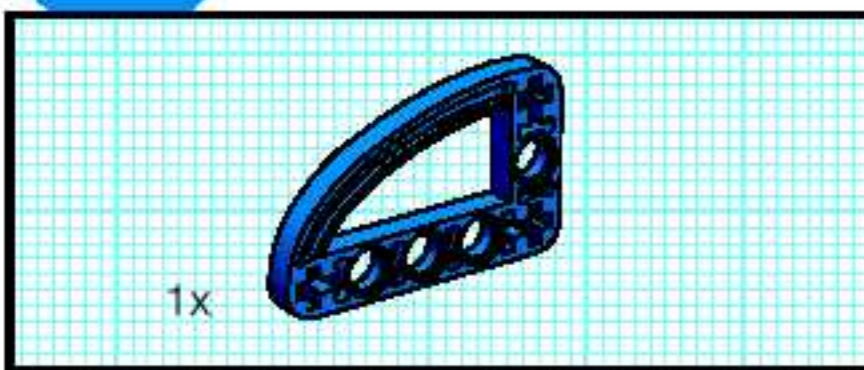
3



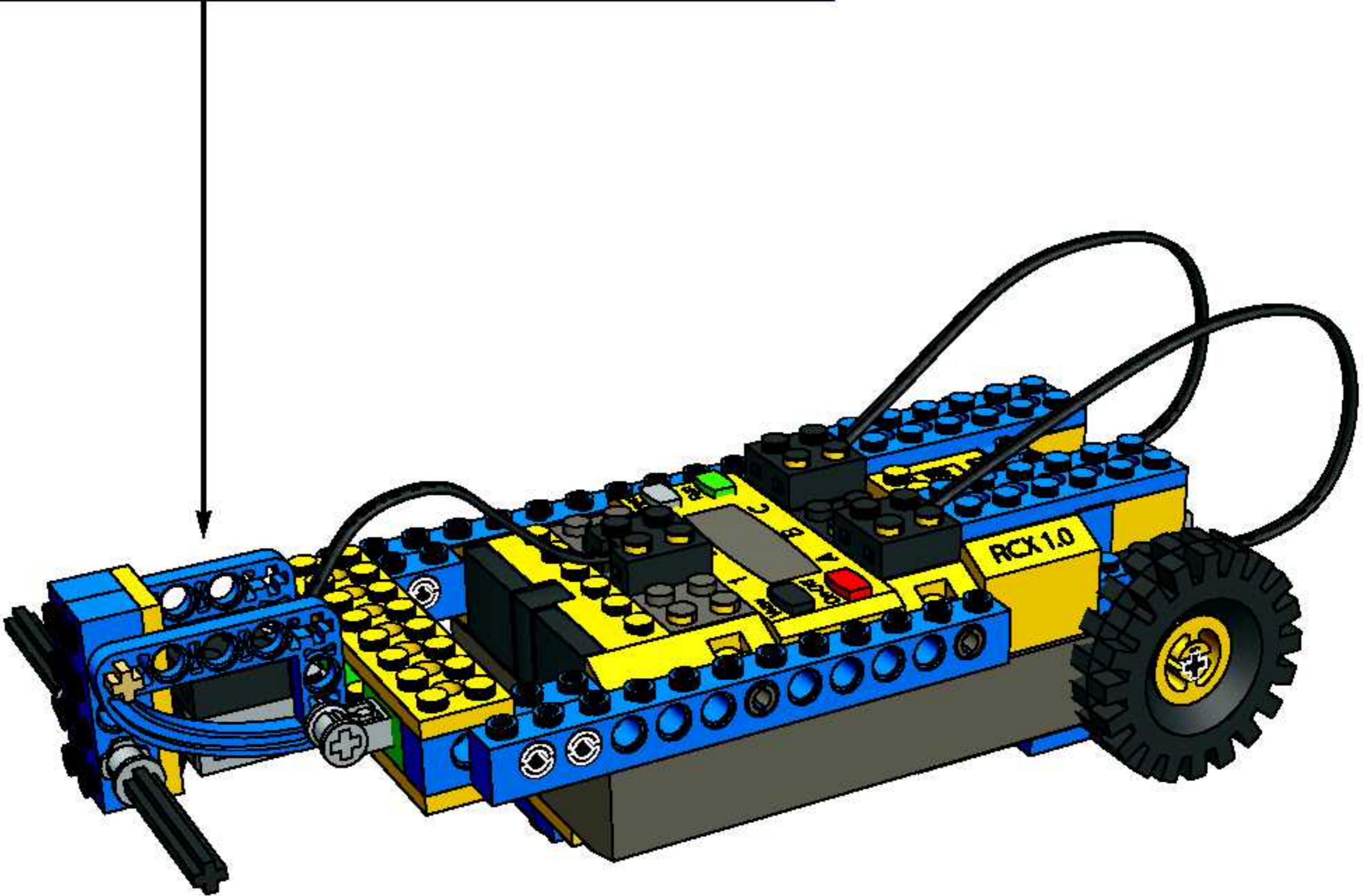
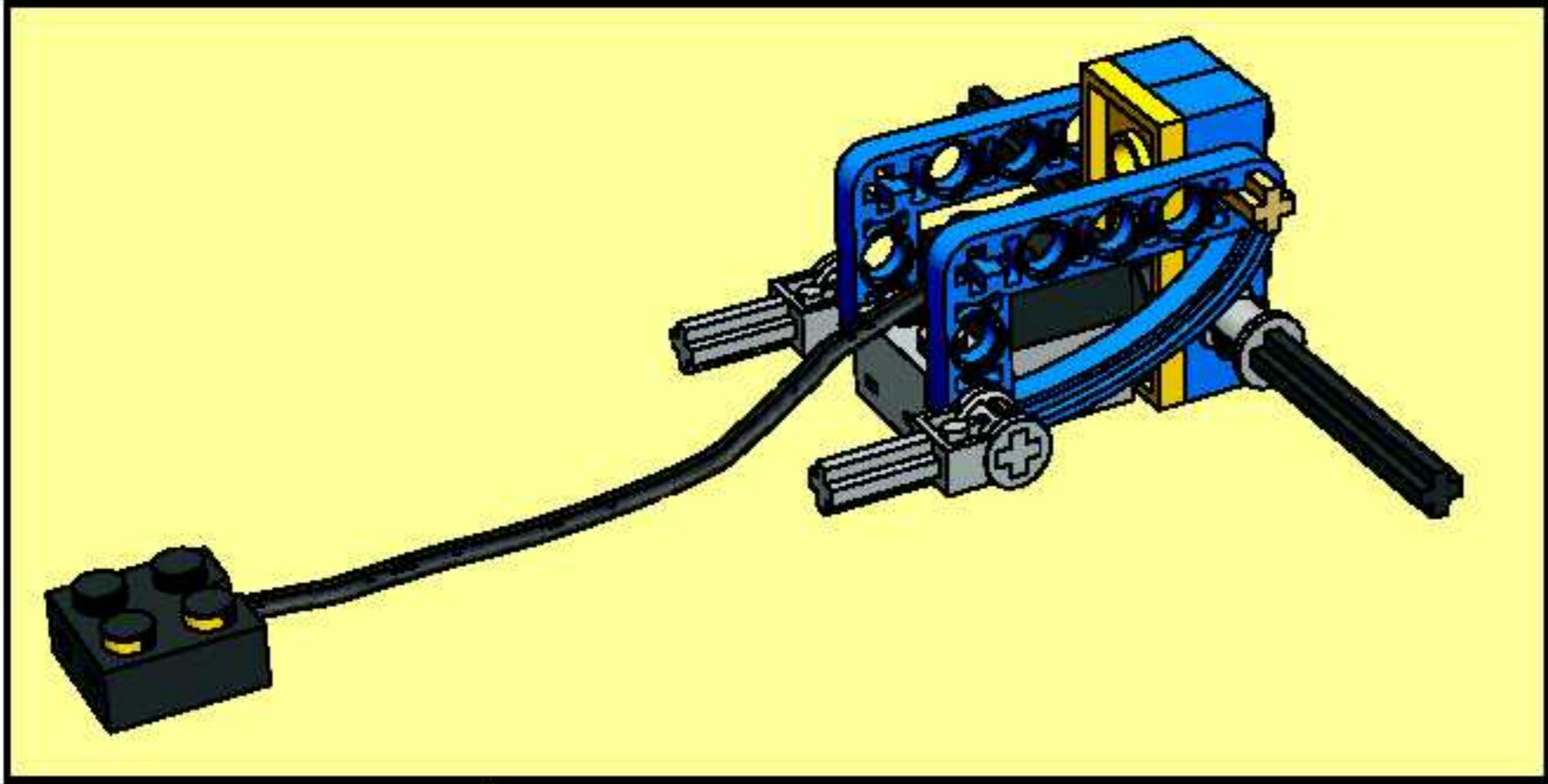
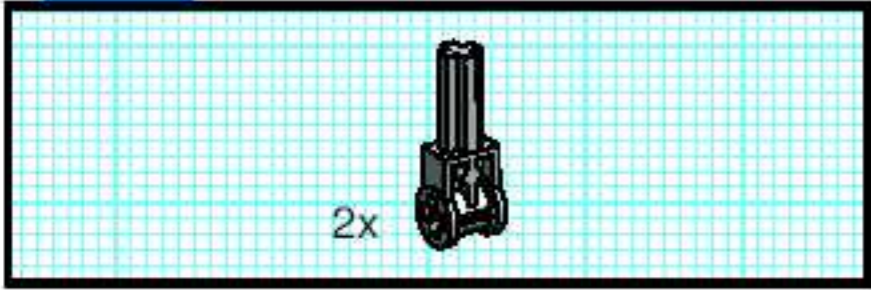
4

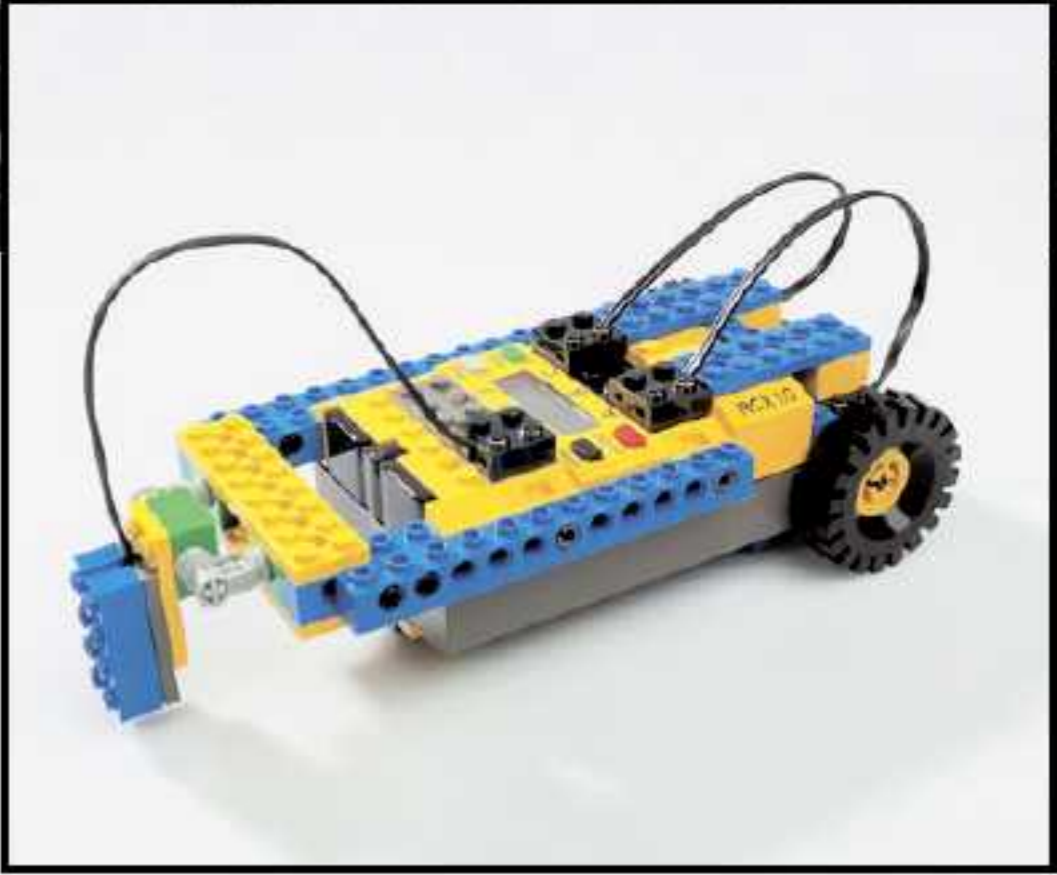


5

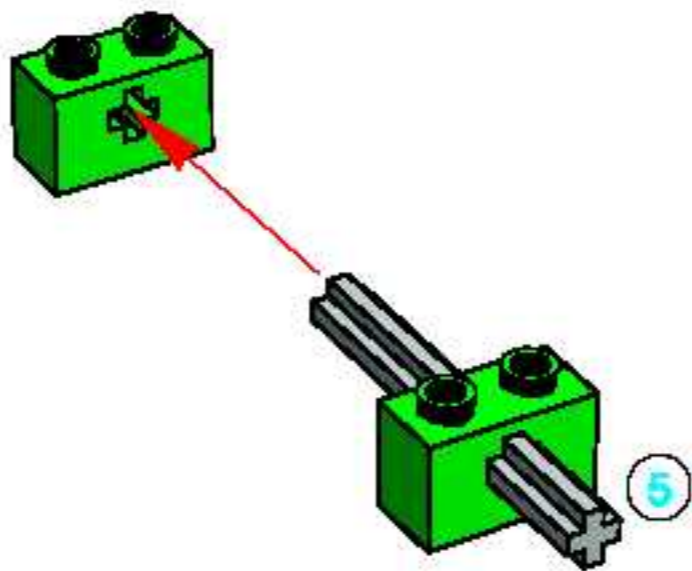
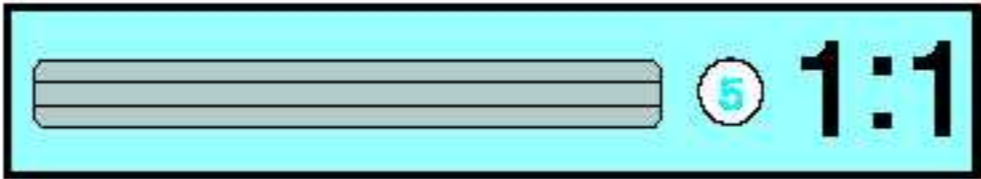
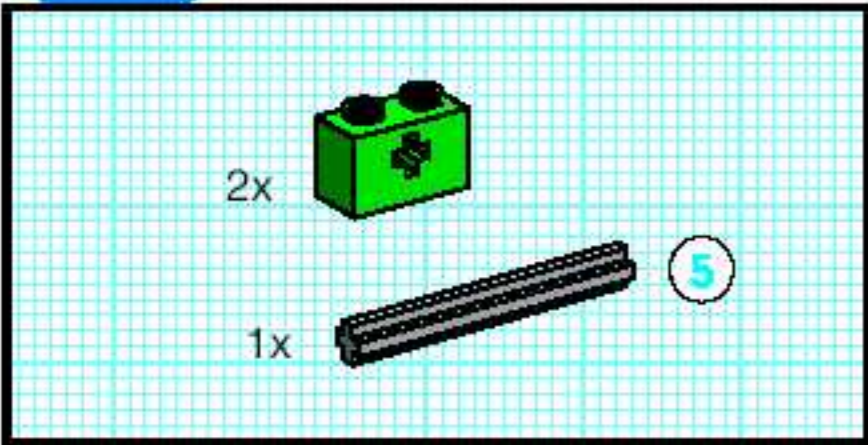


6

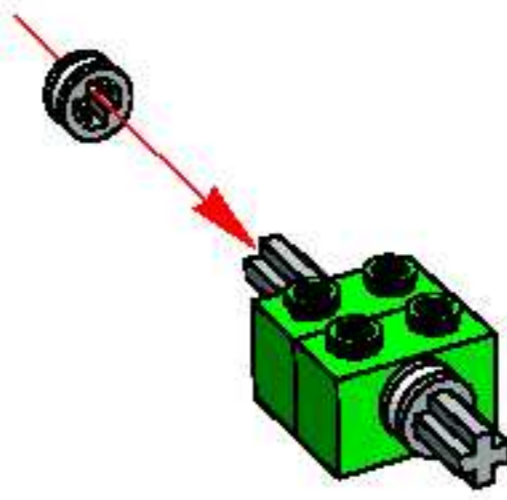




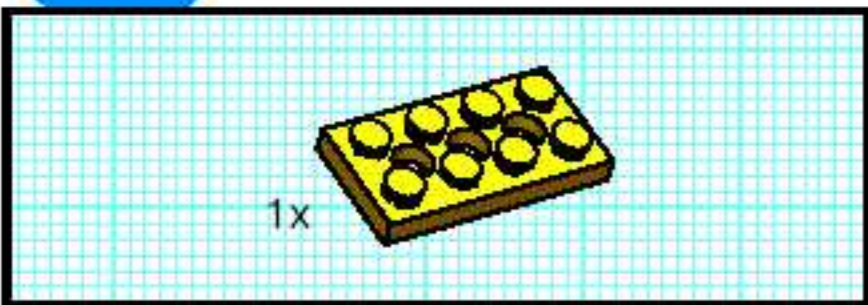
1



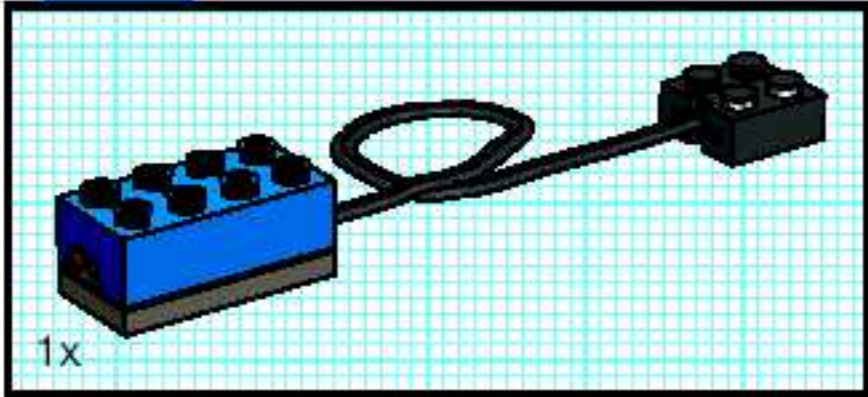
2



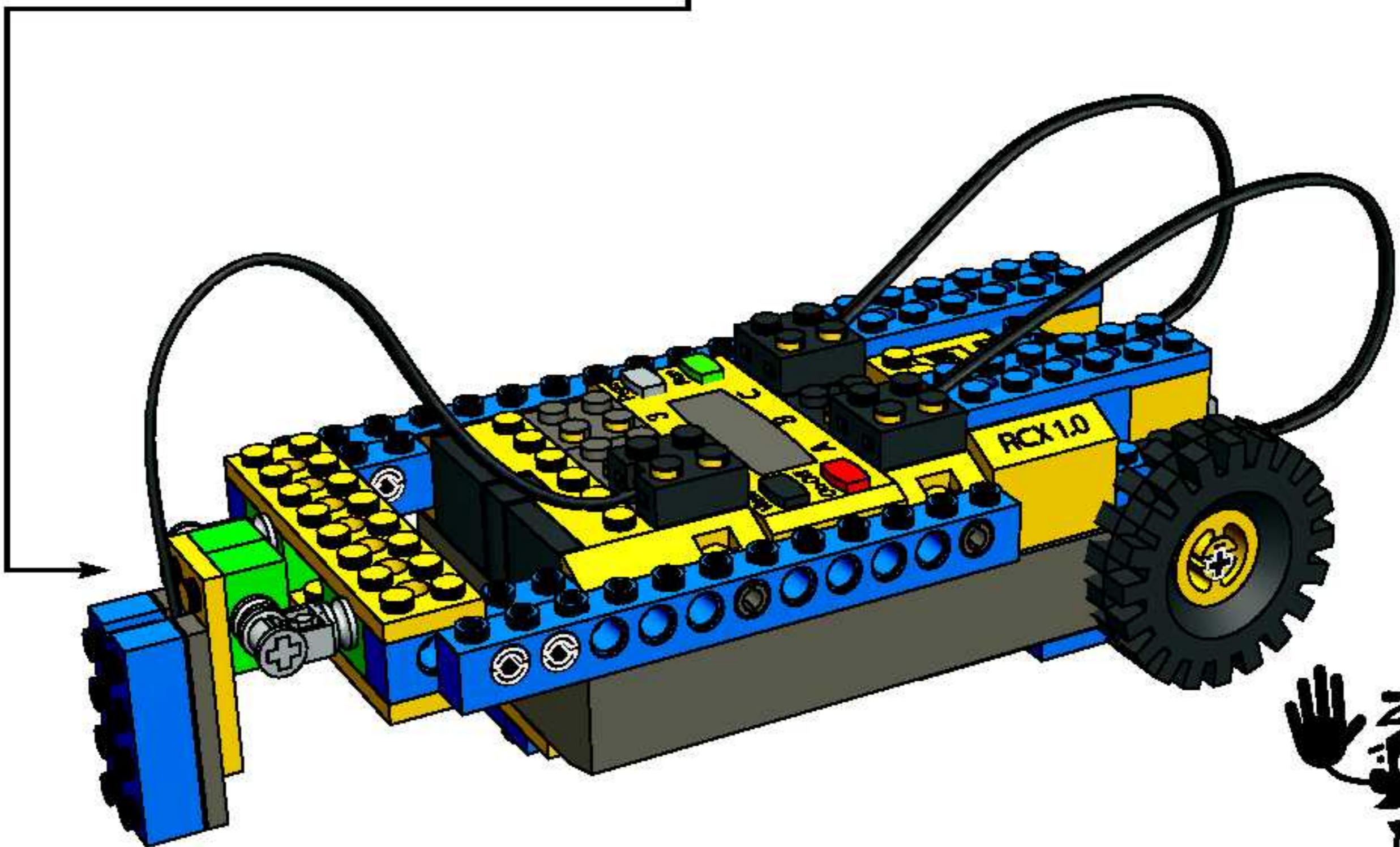
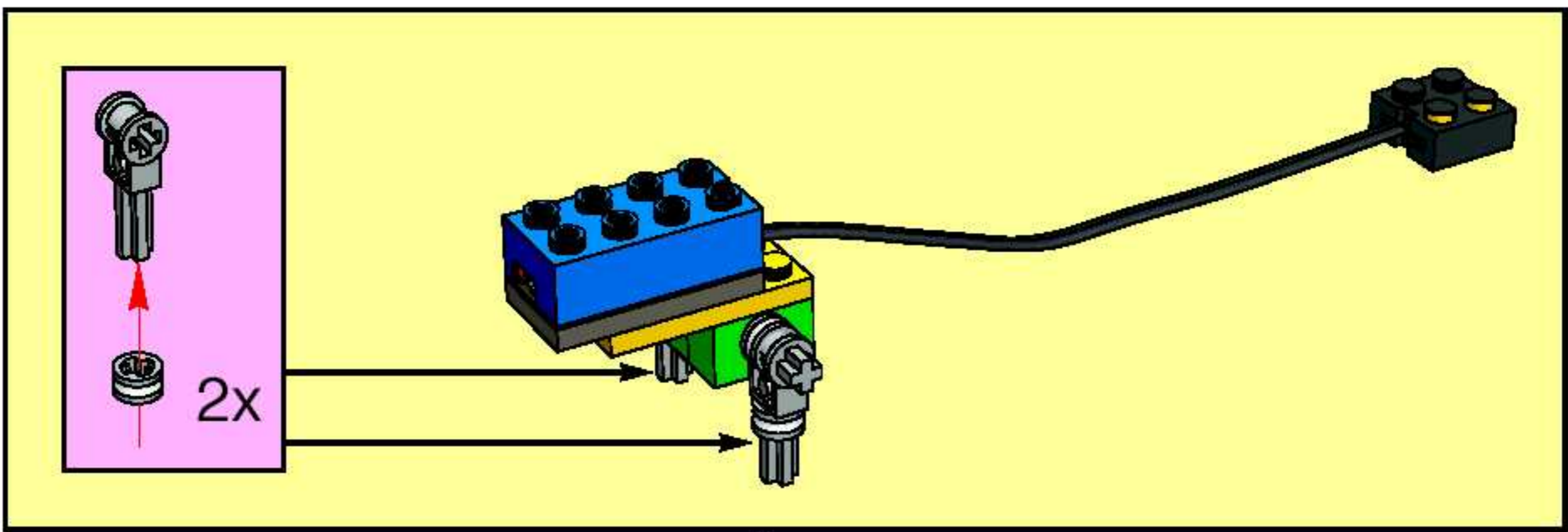
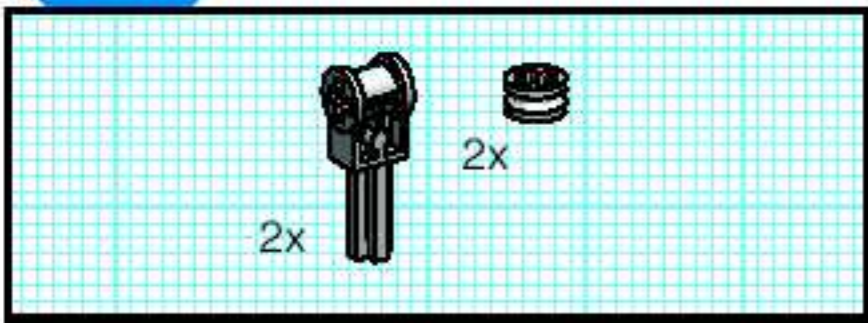
3



4

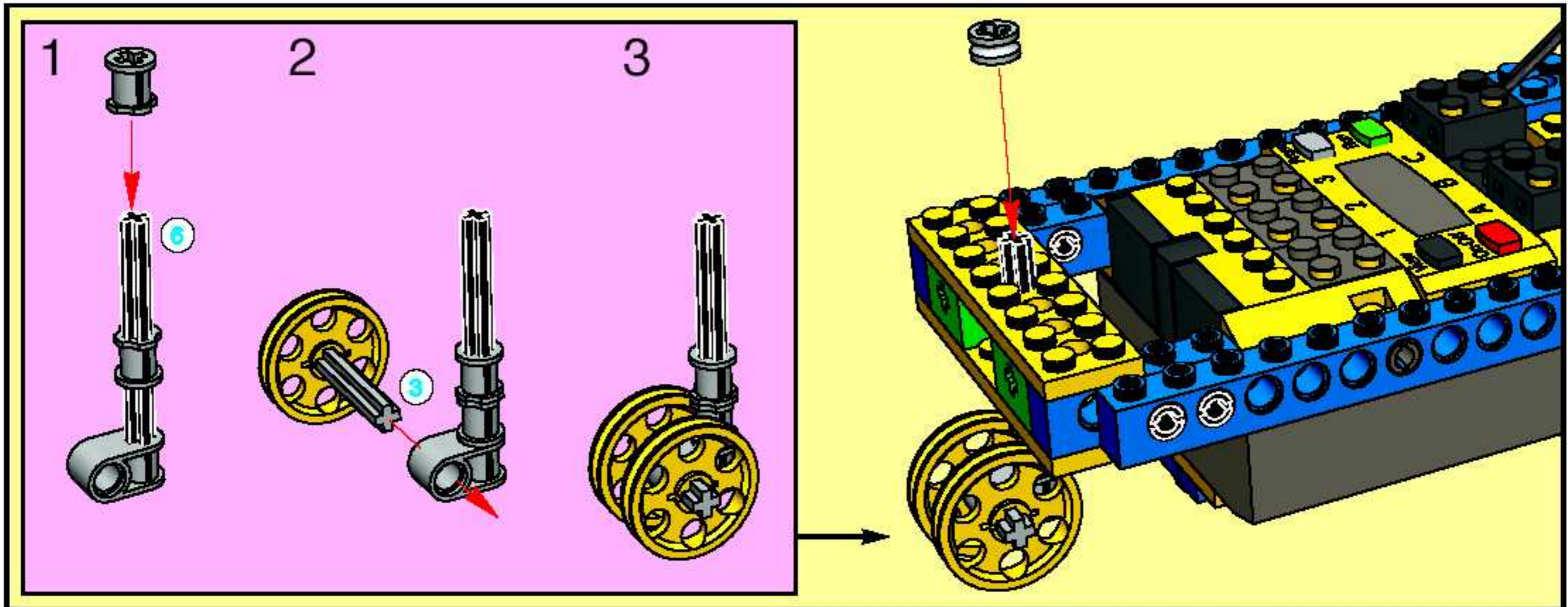
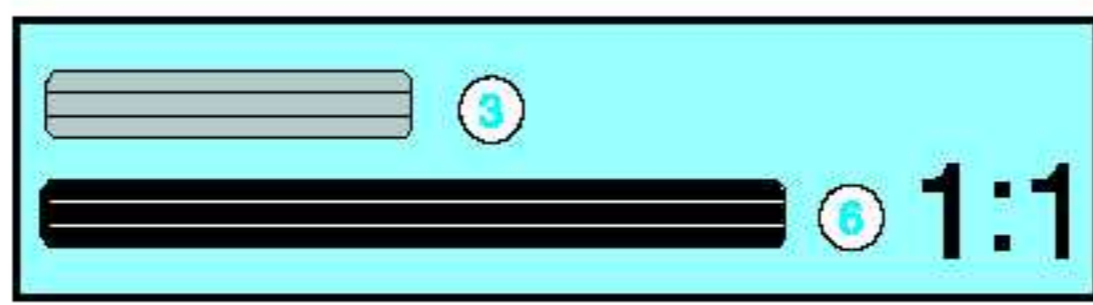
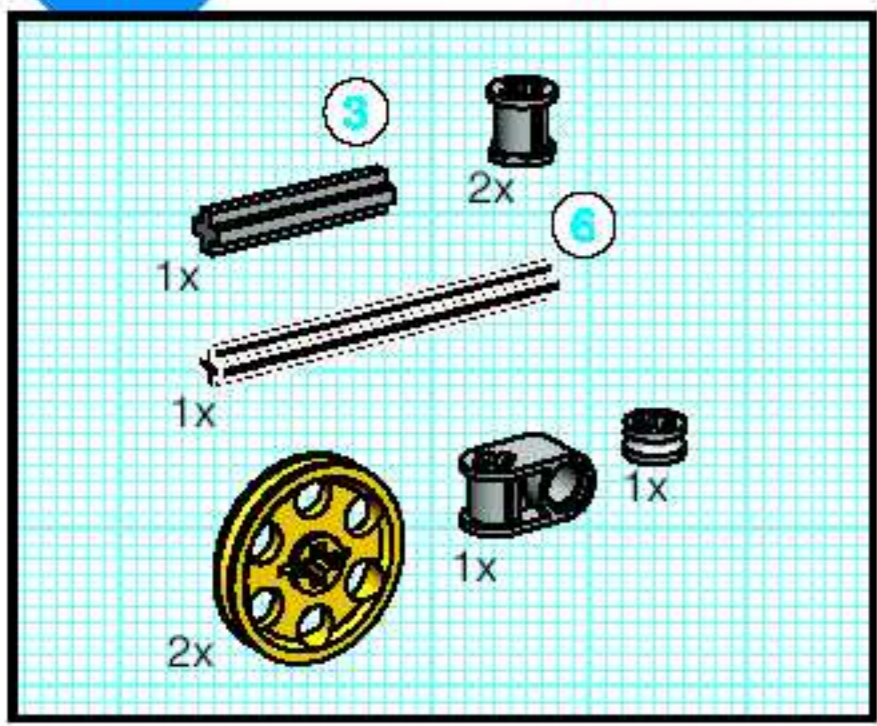


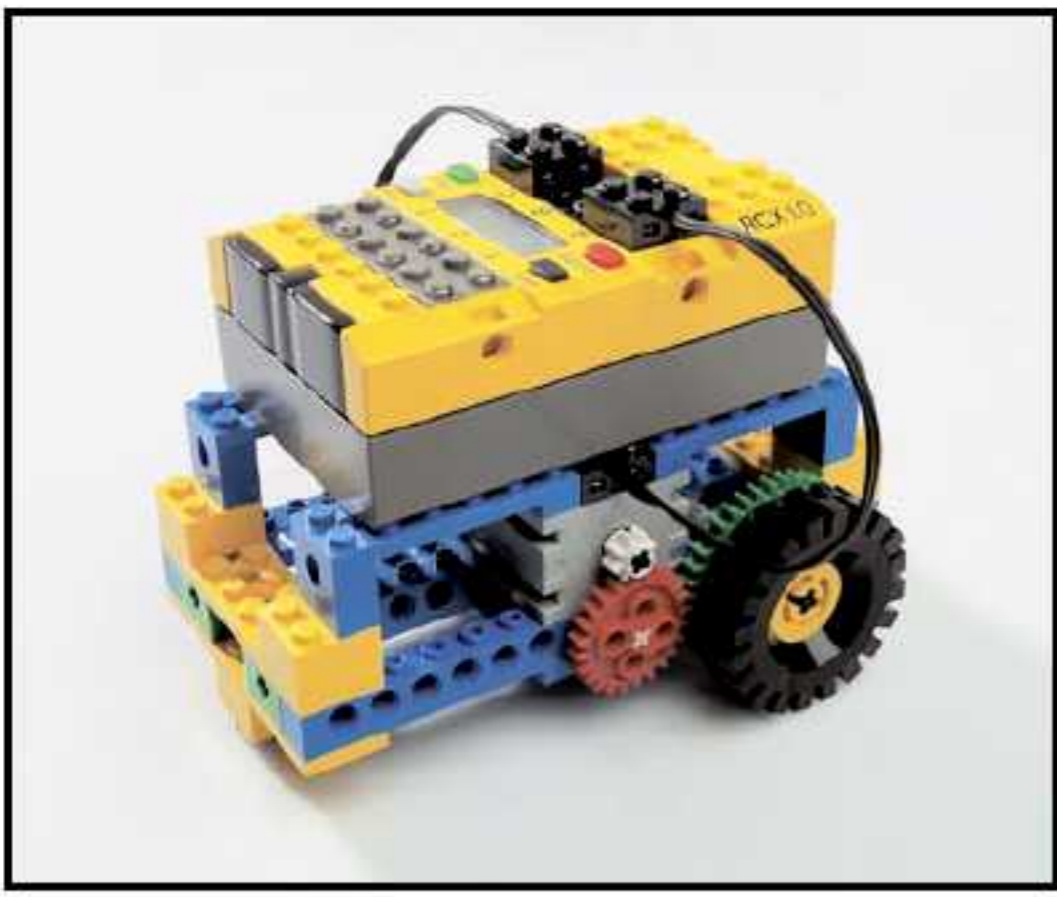
5



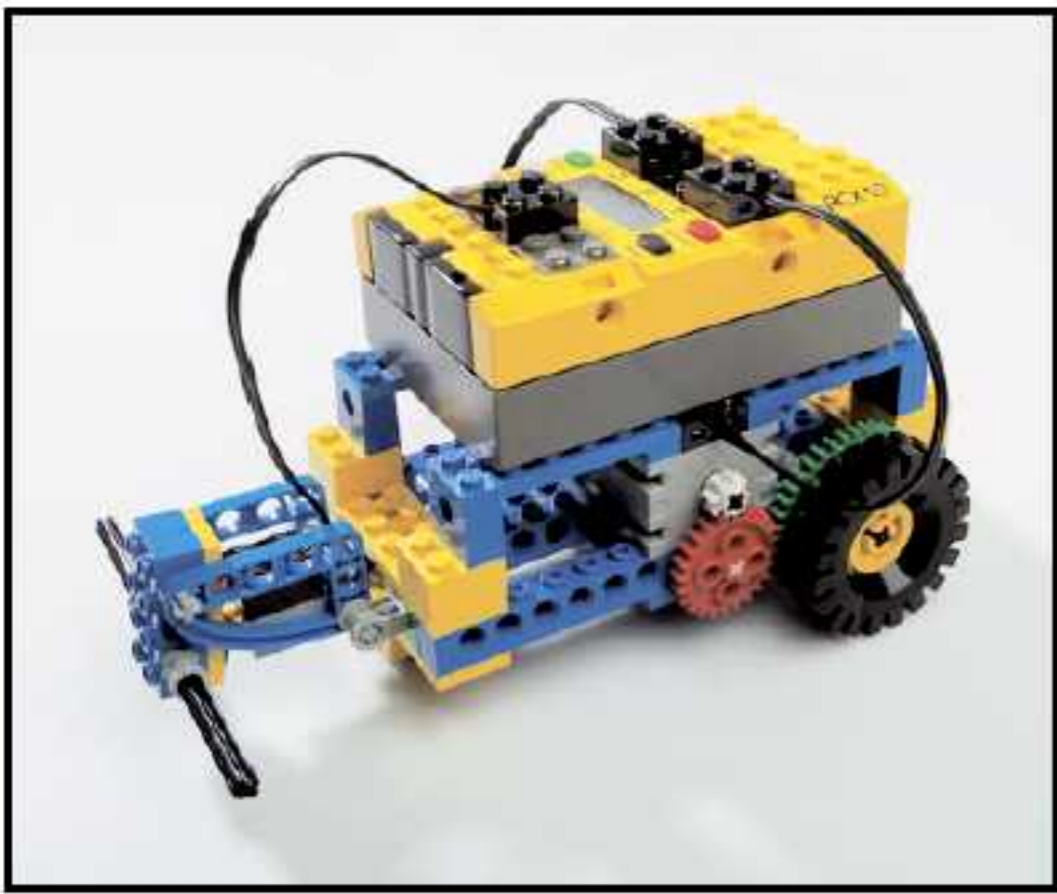


1

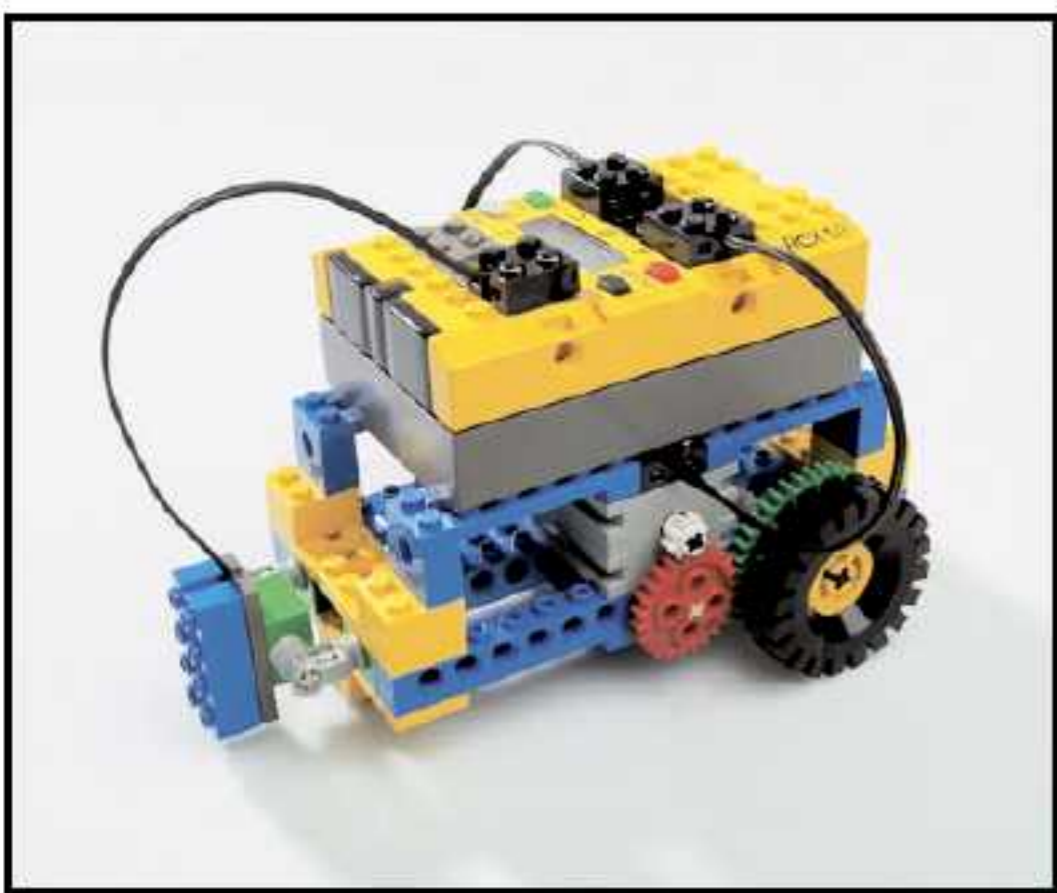




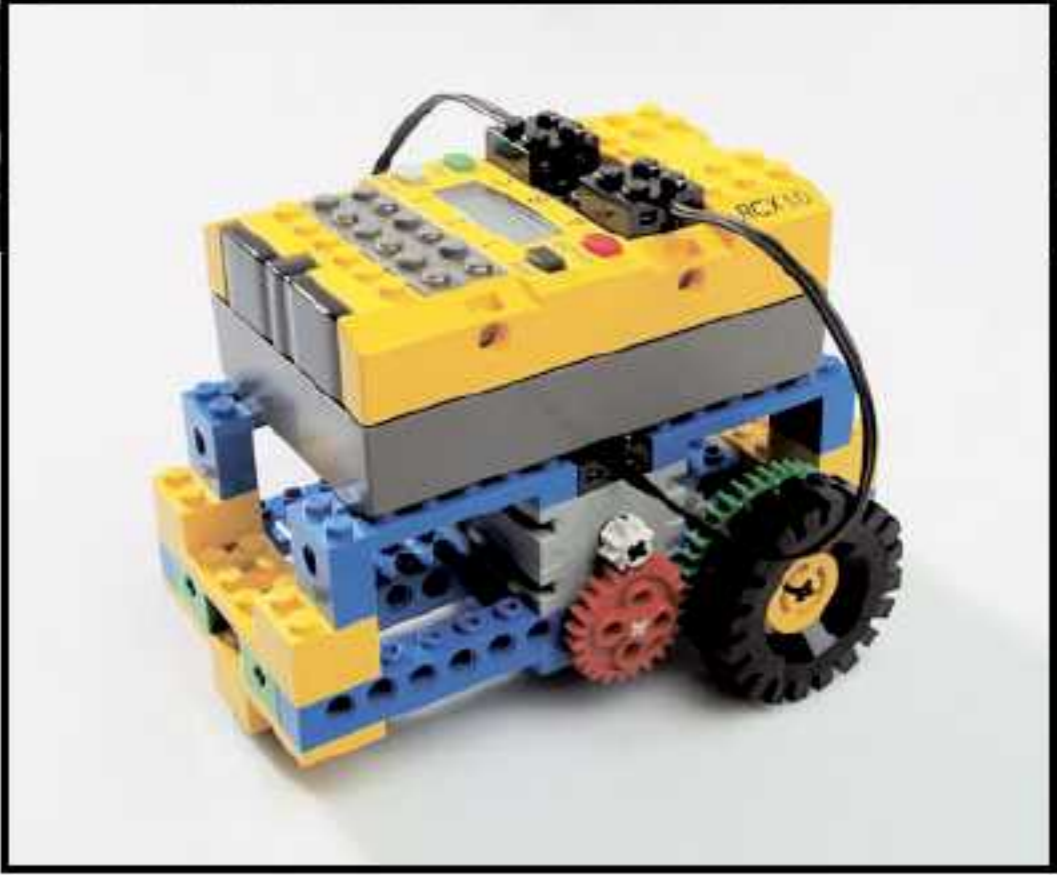
18



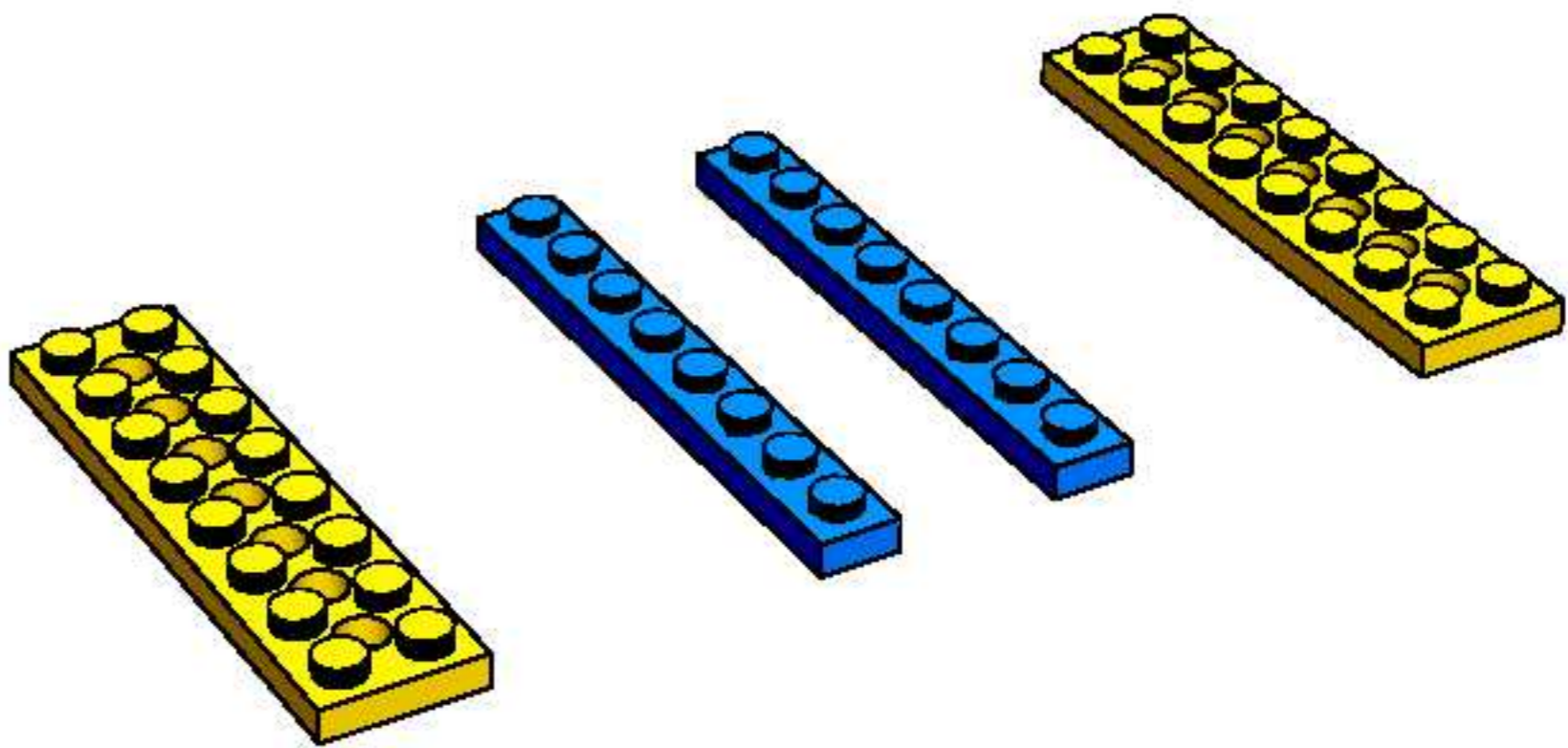
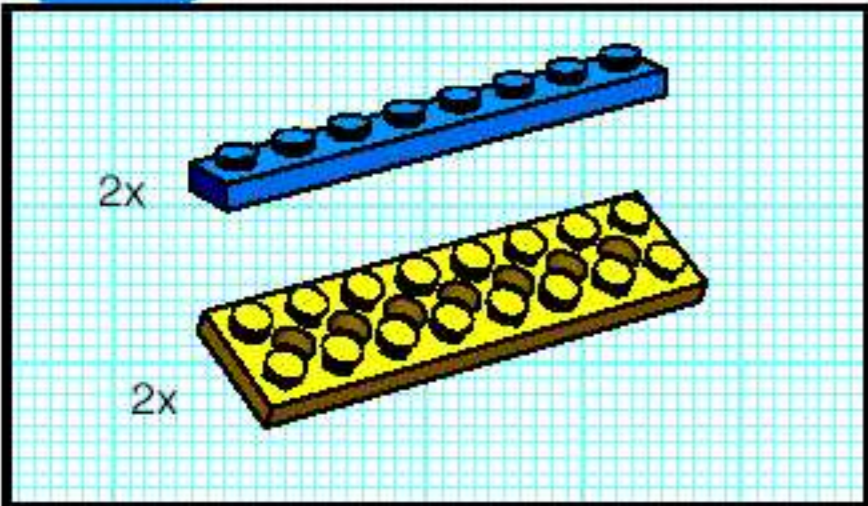
25



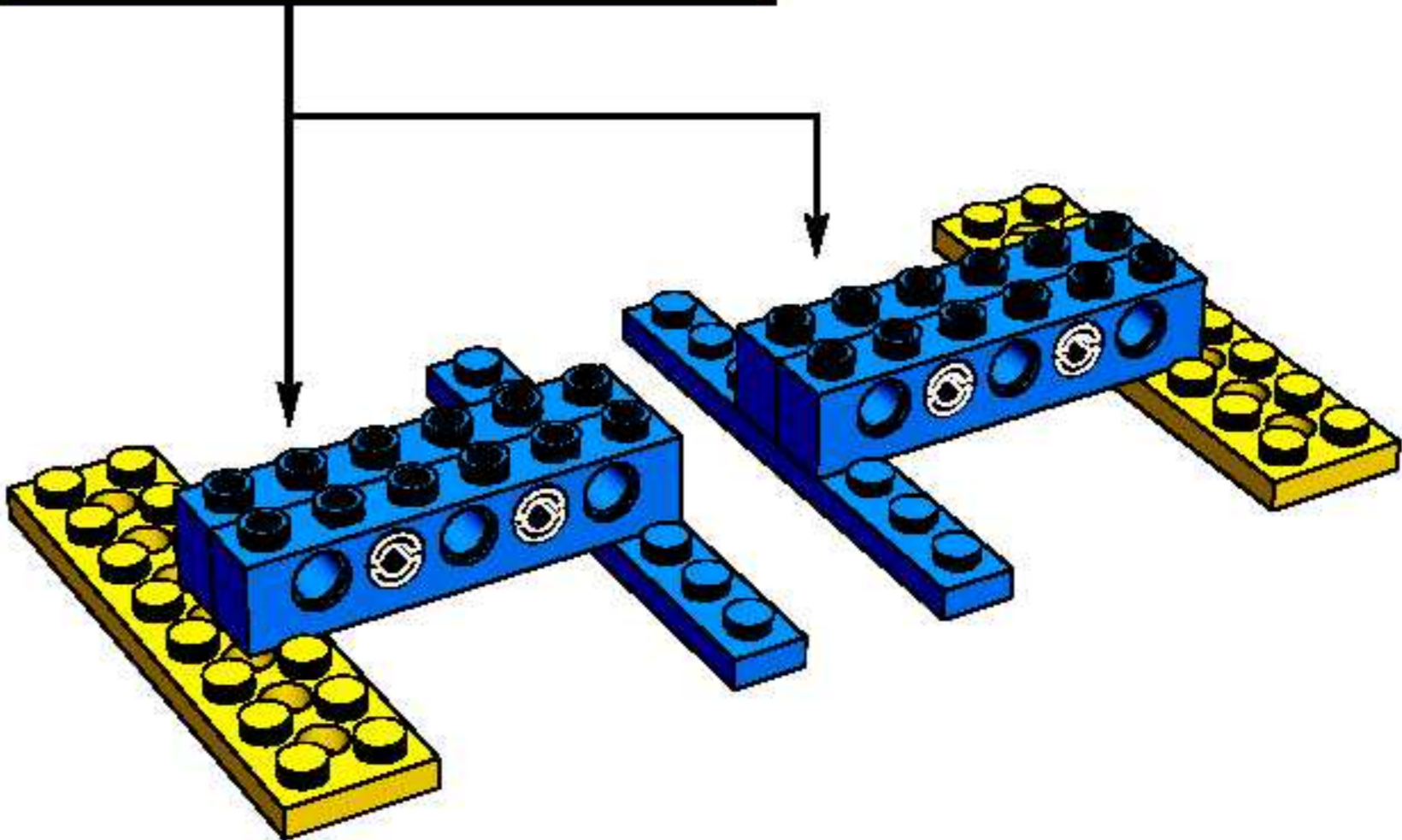
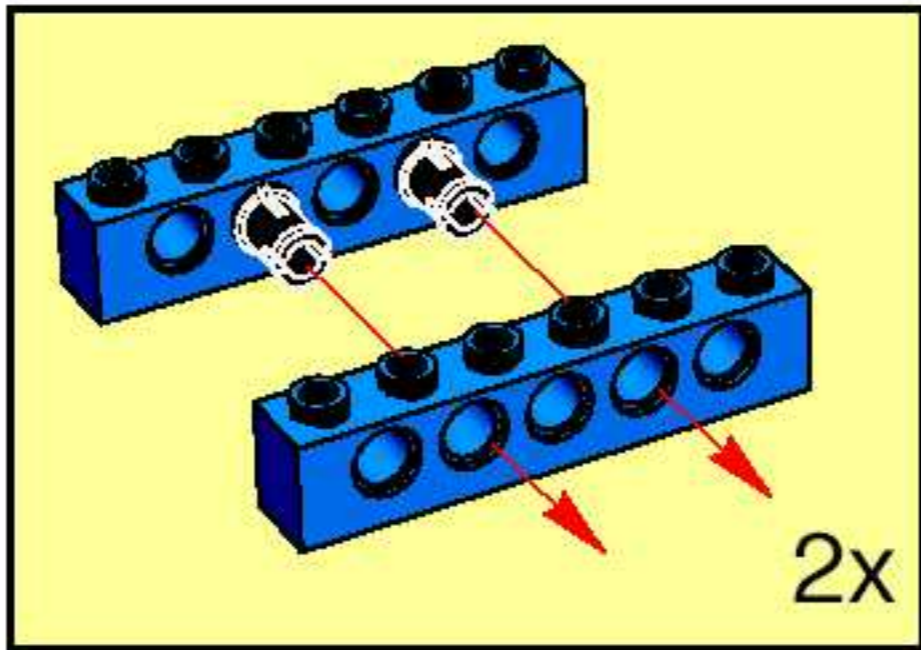
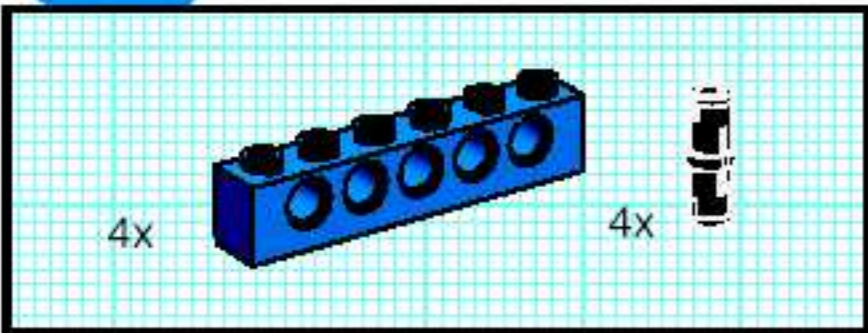
28



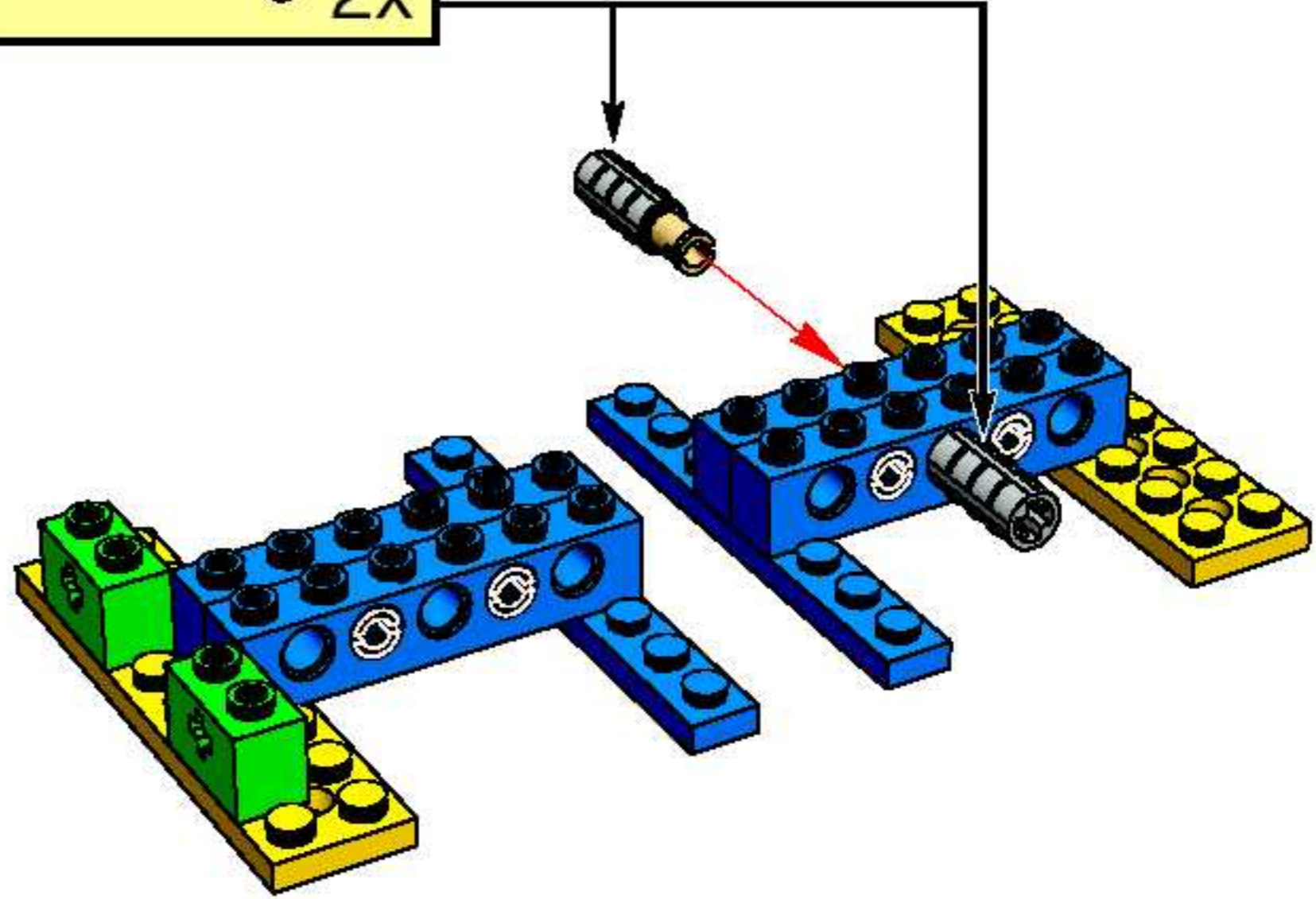
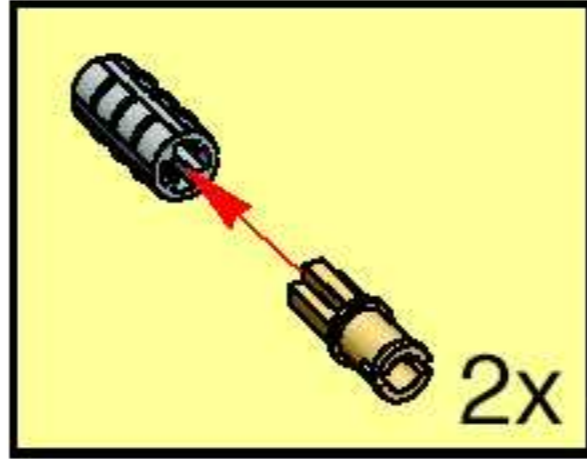
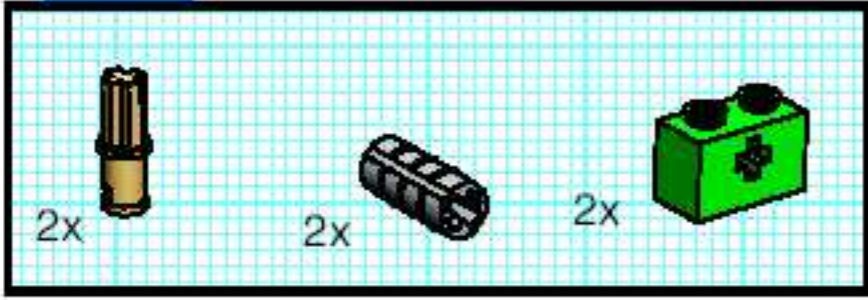
1



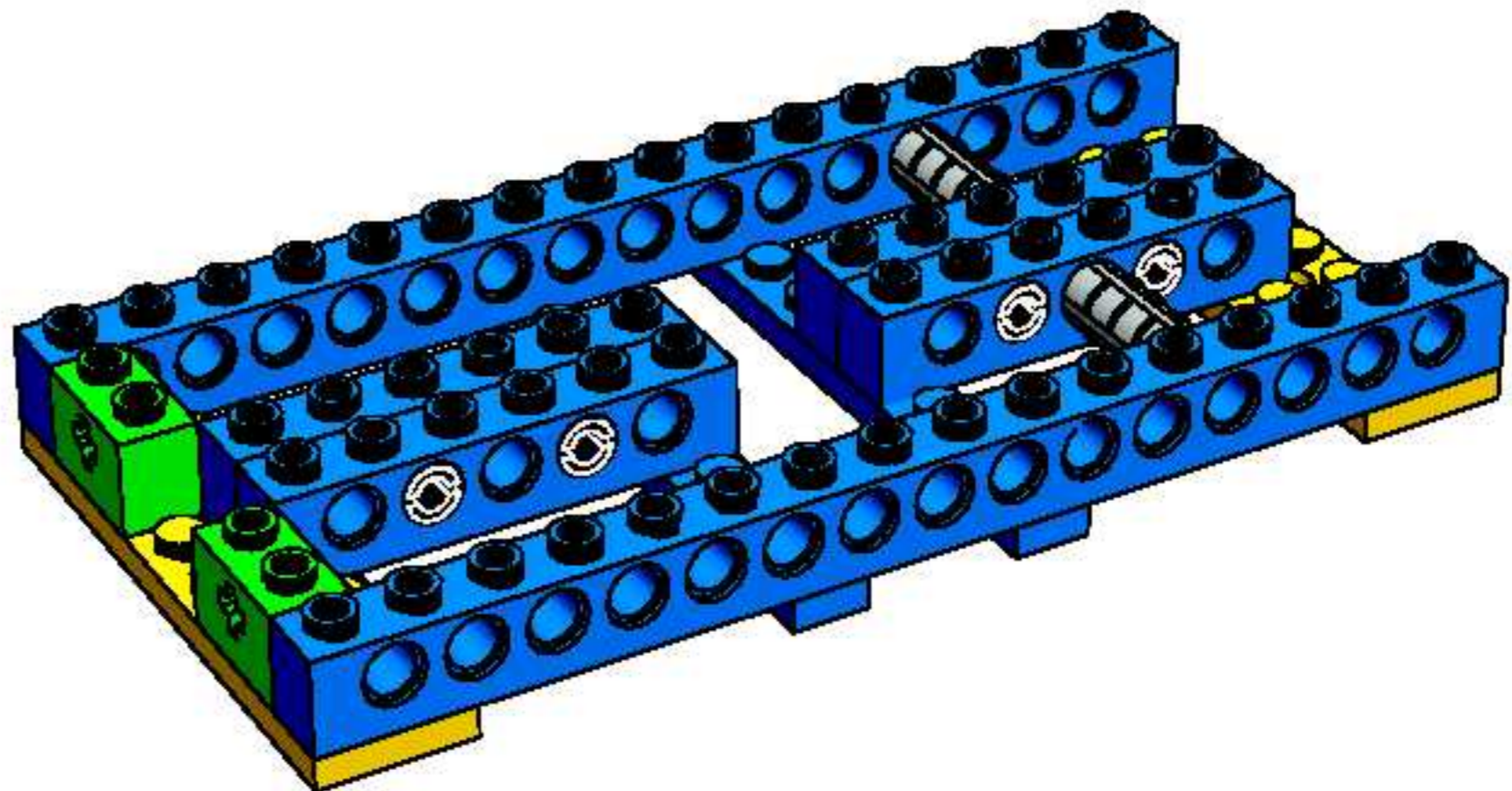
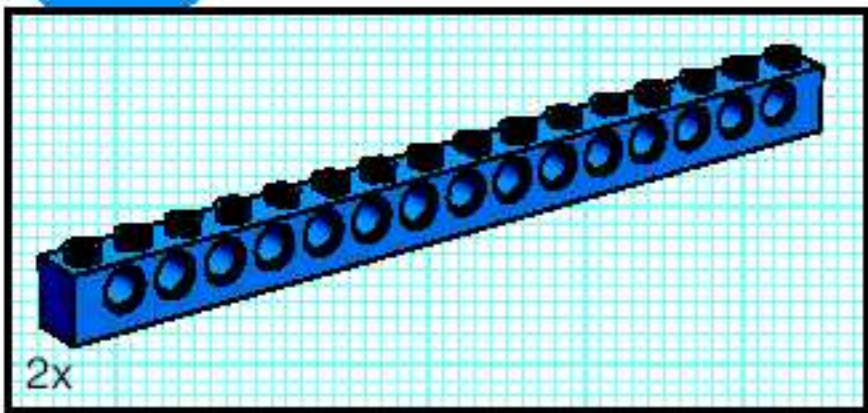
2



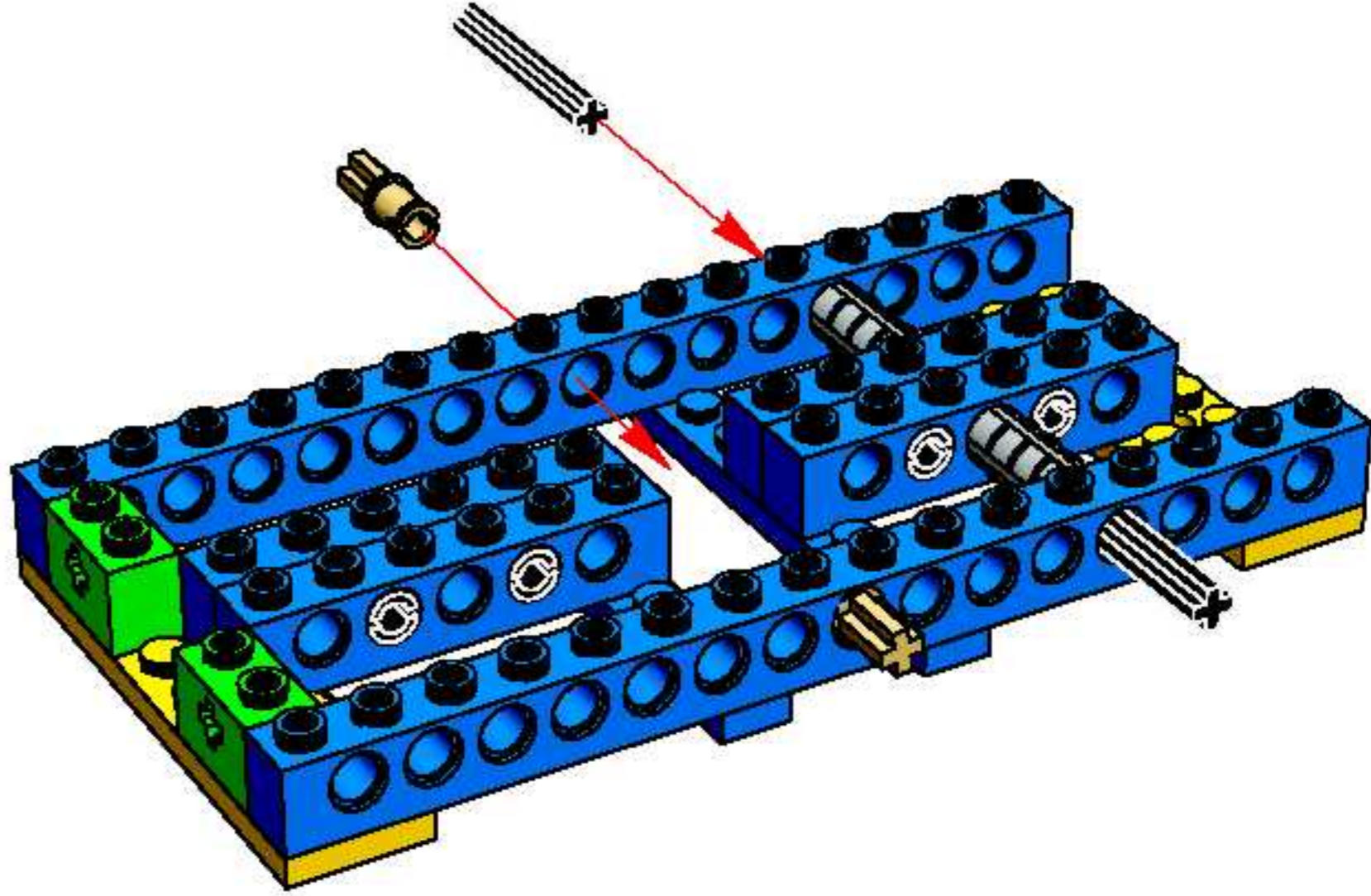
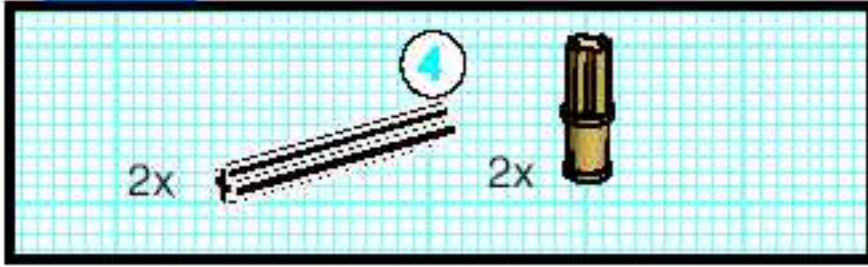
3



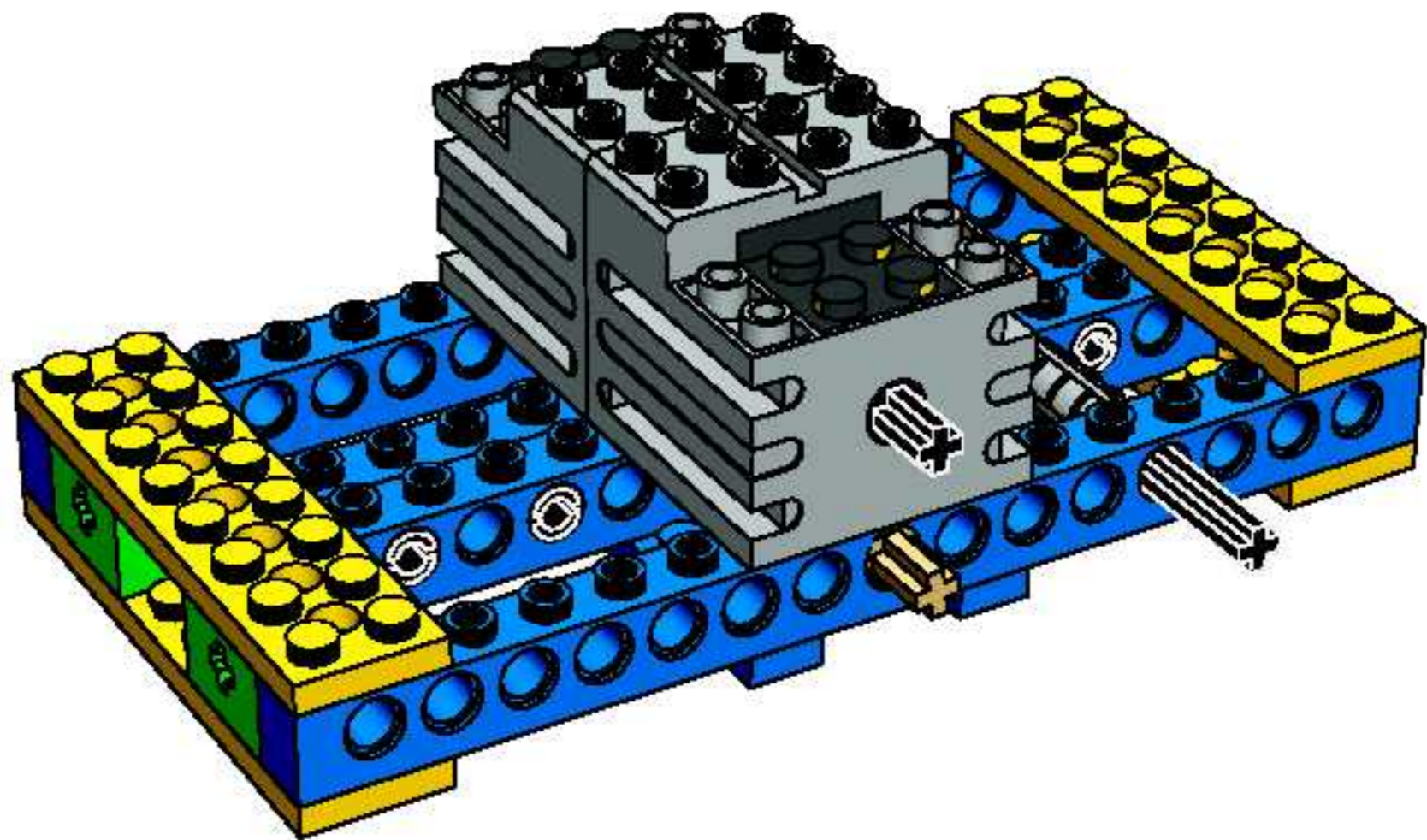
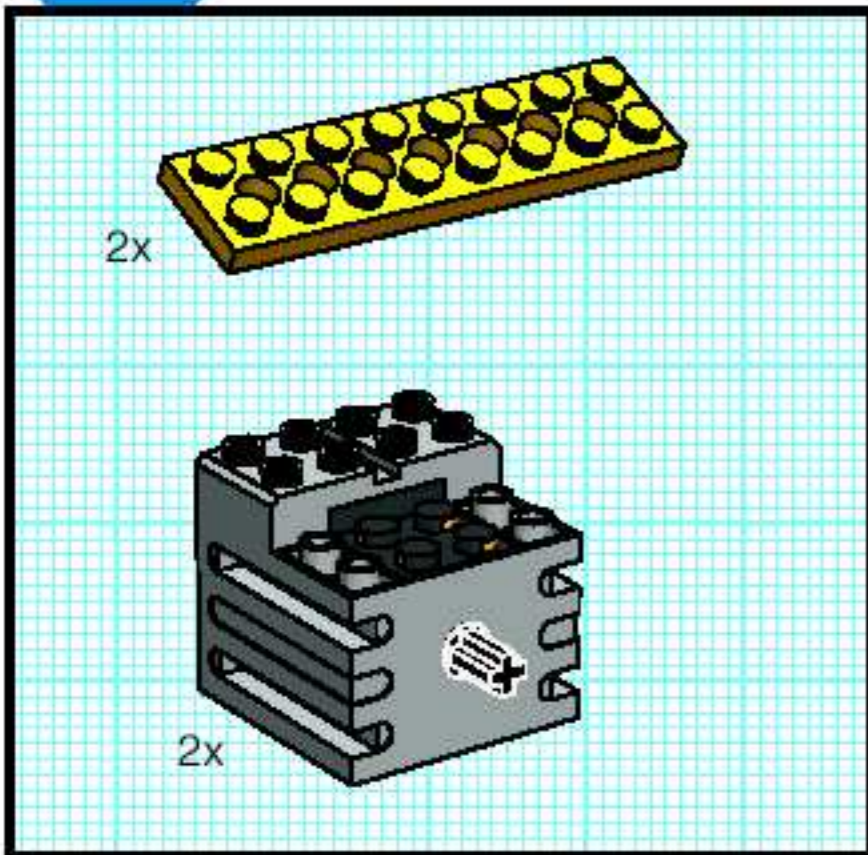
4



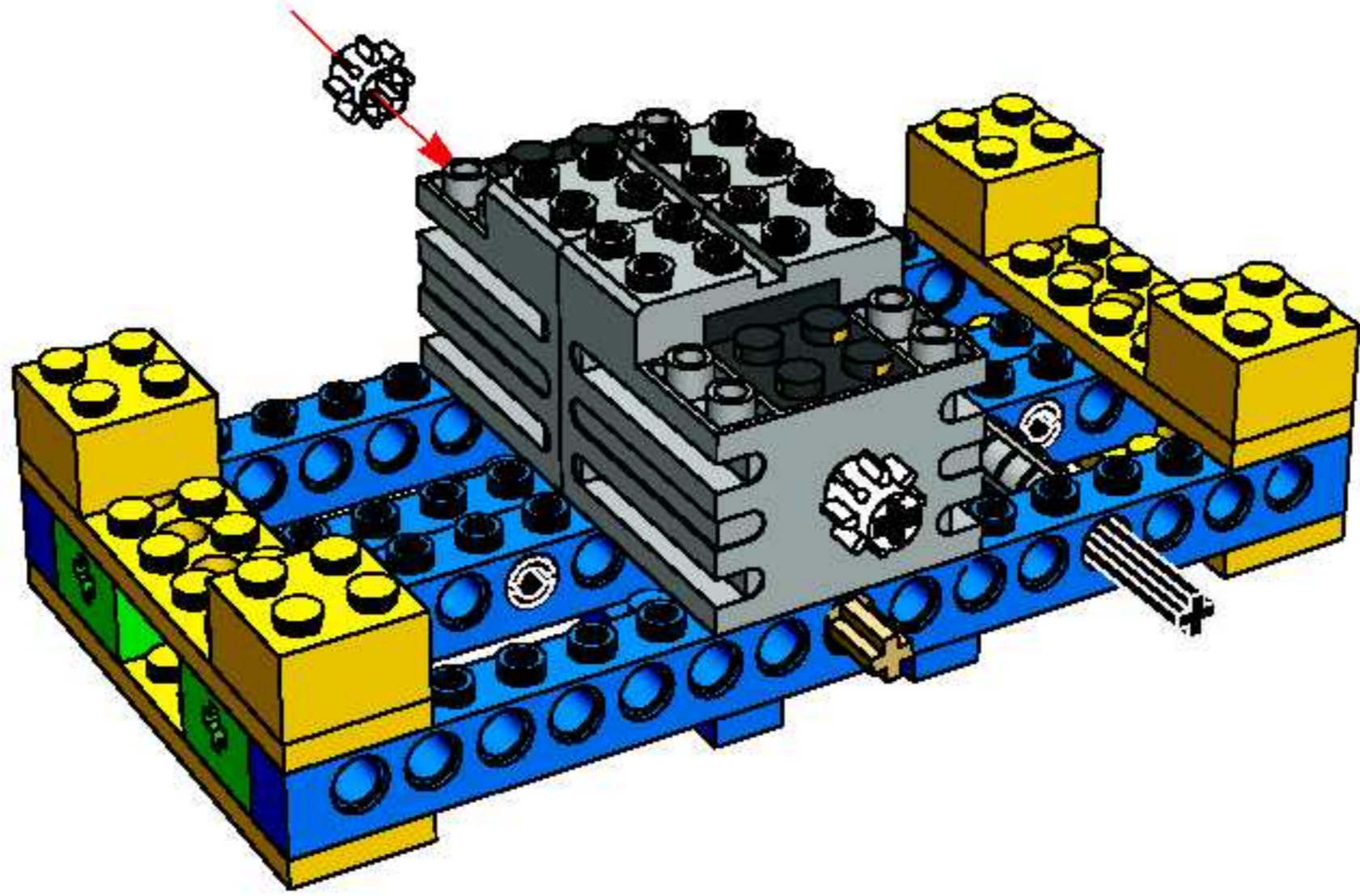
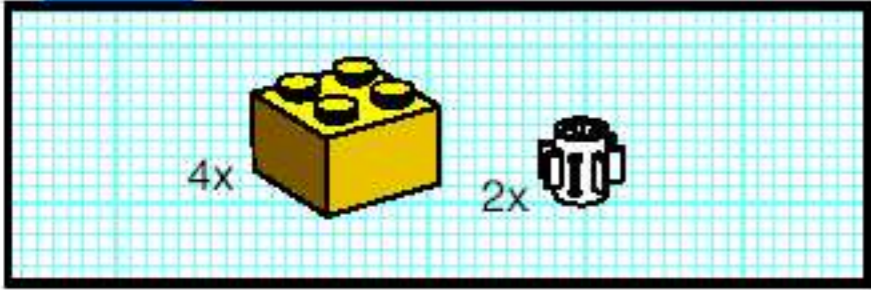
5



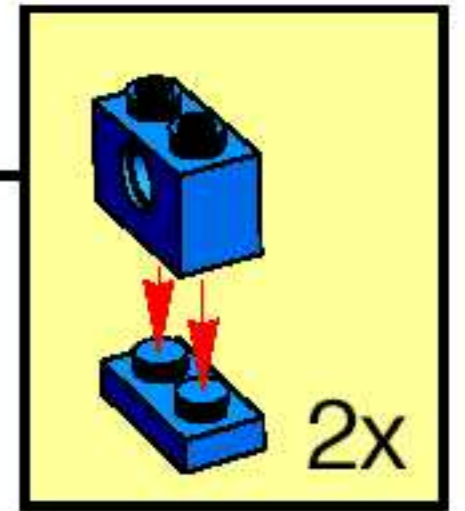
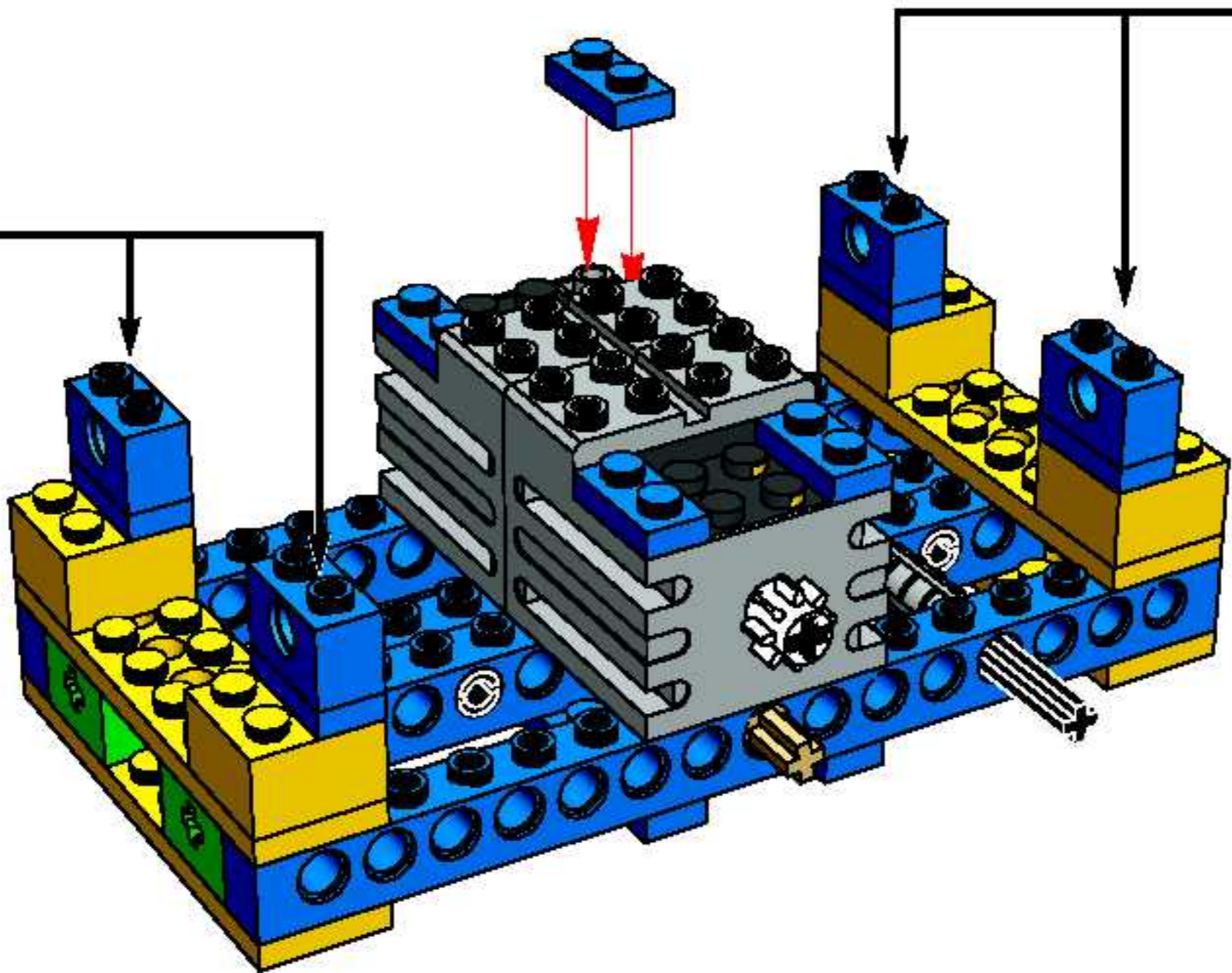
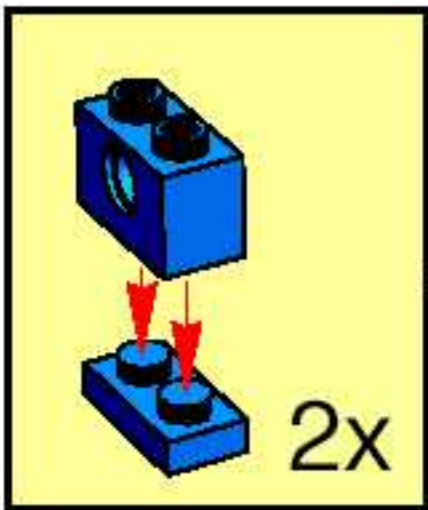
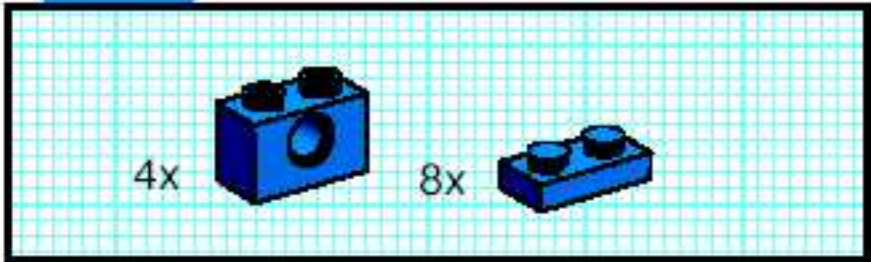
6



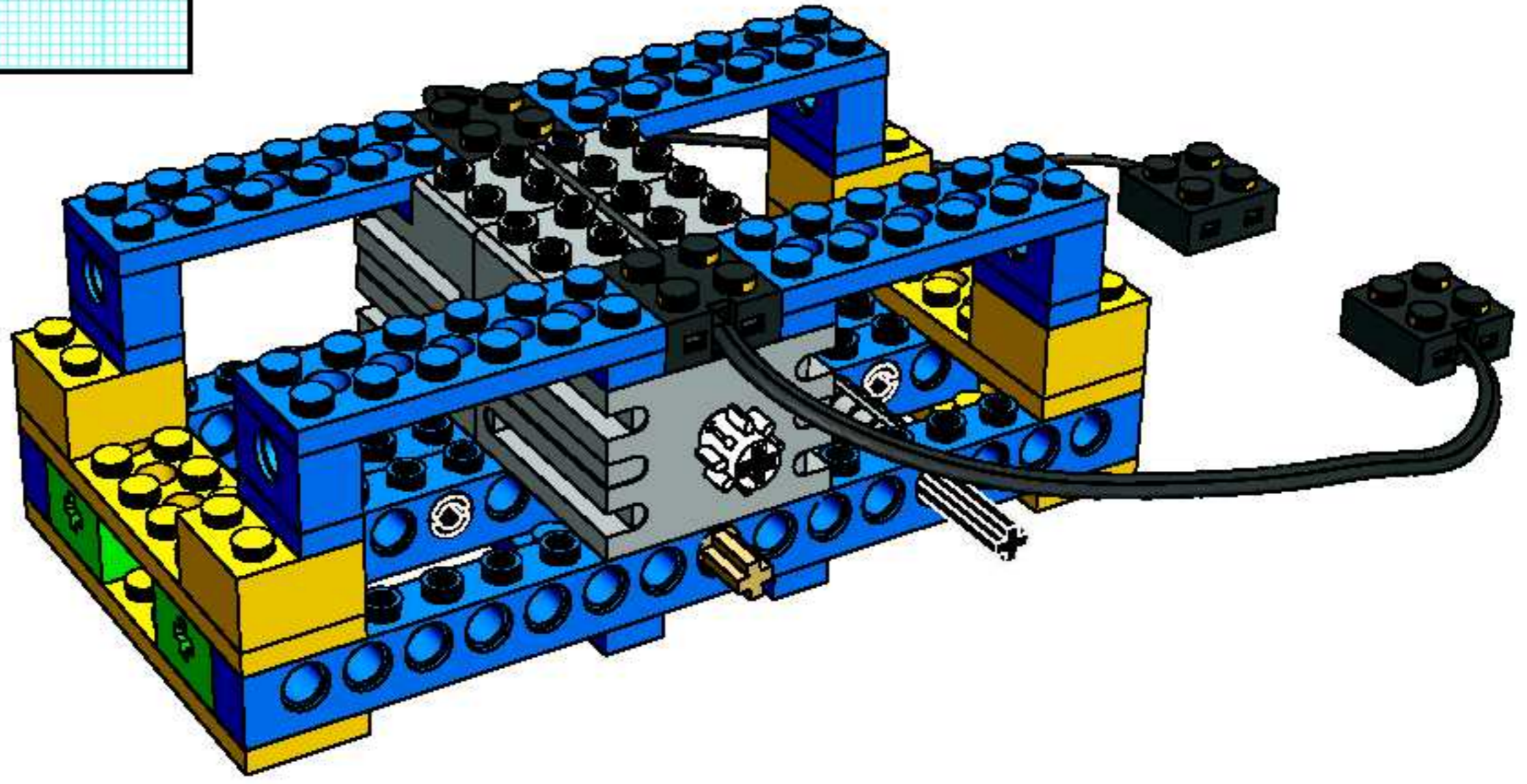
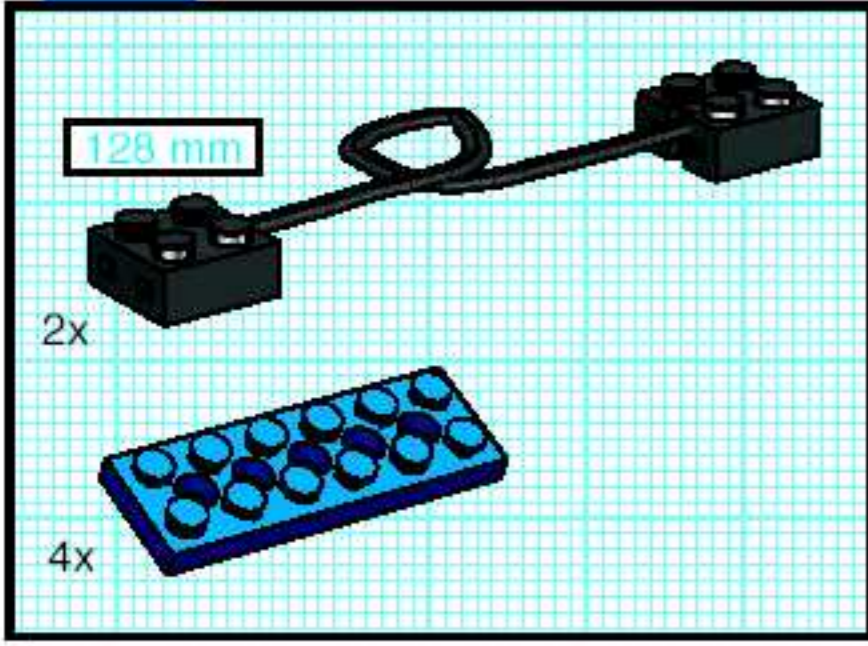
7



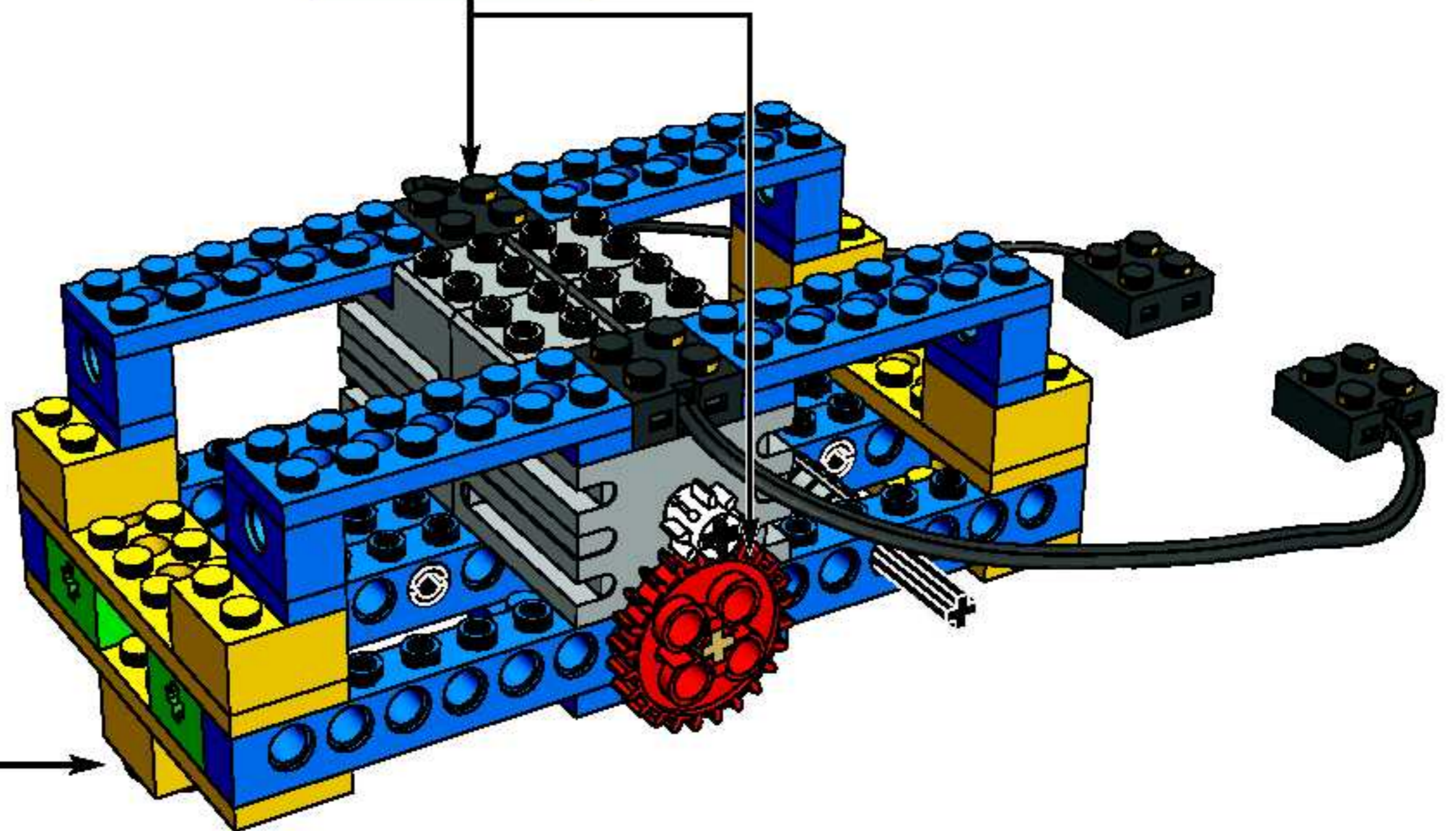
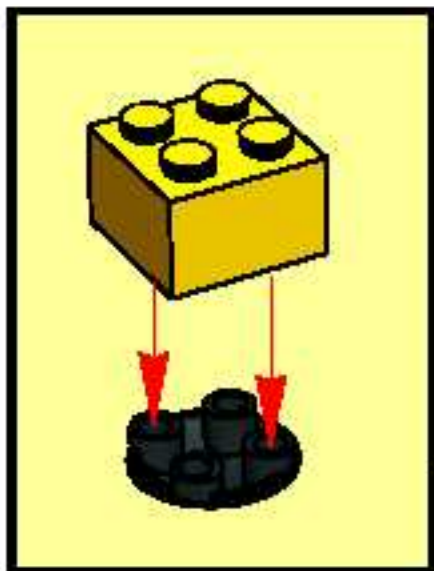
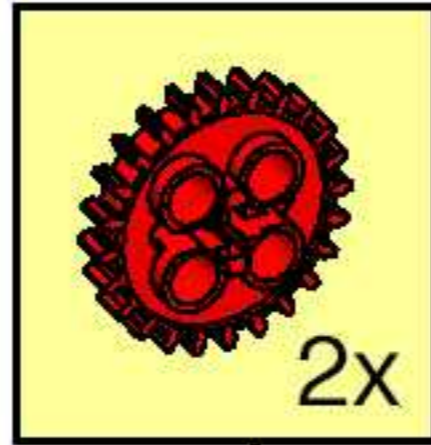
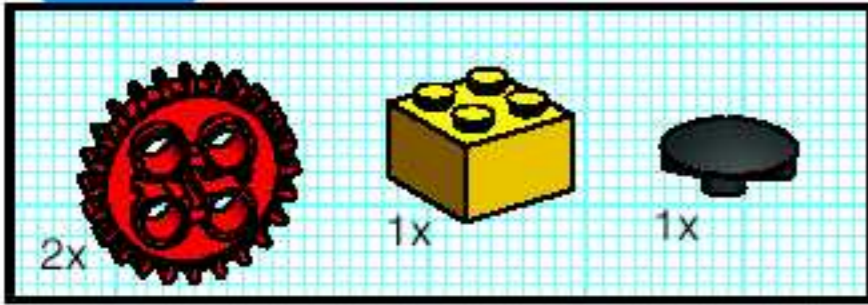
8



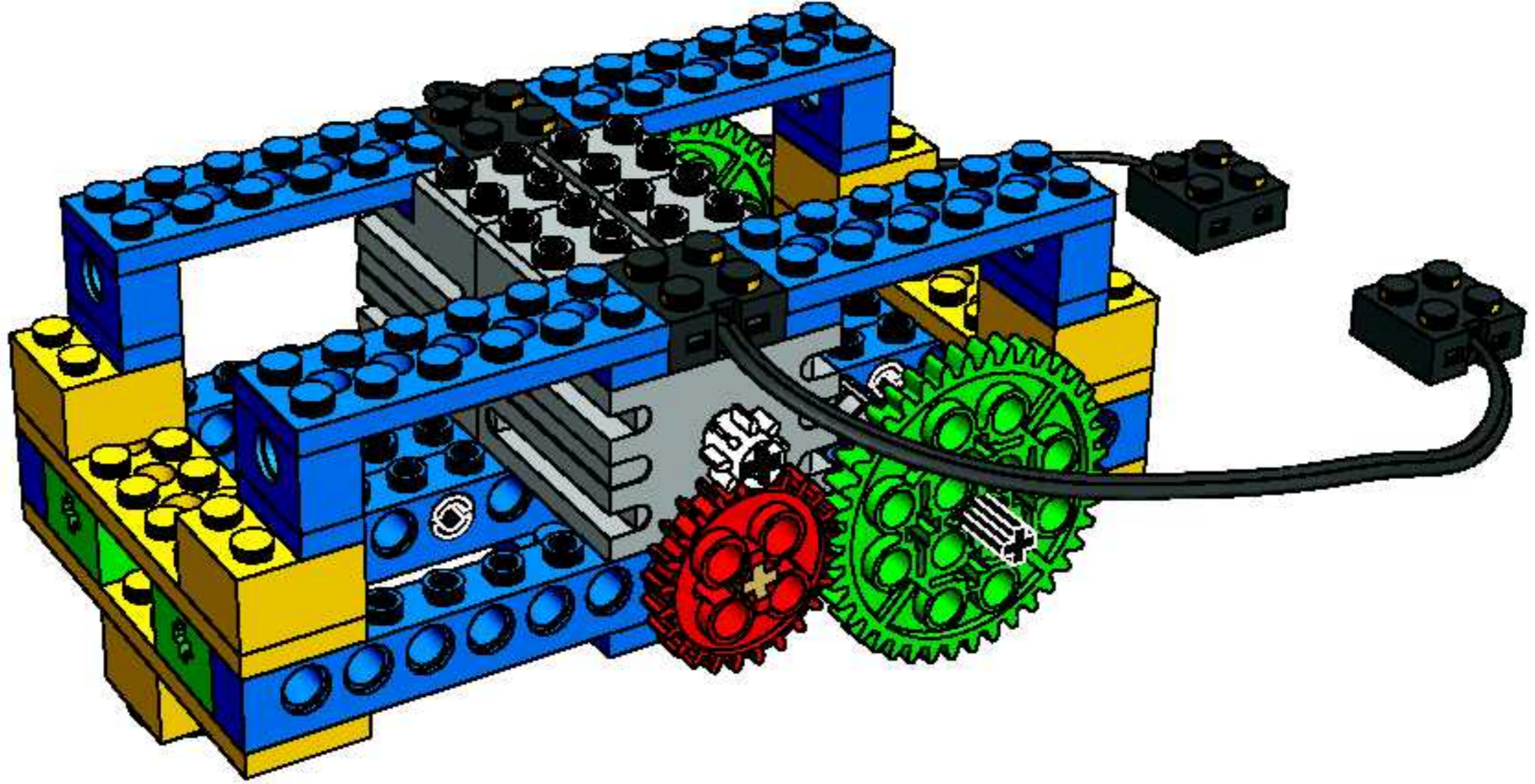
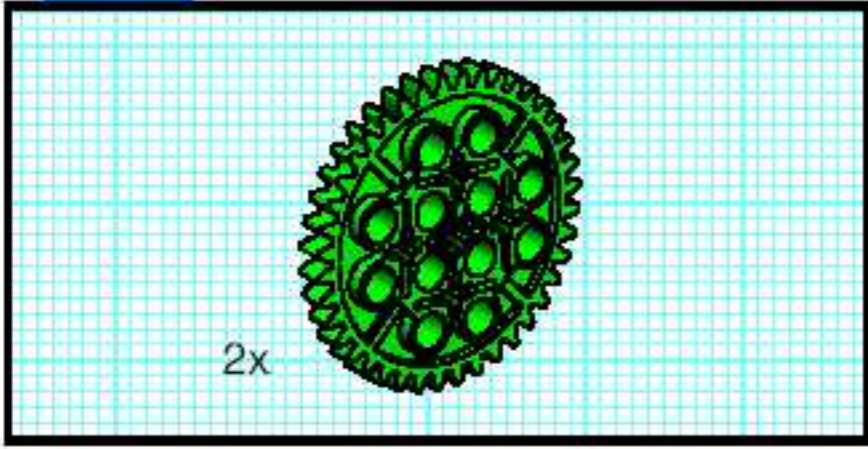
9



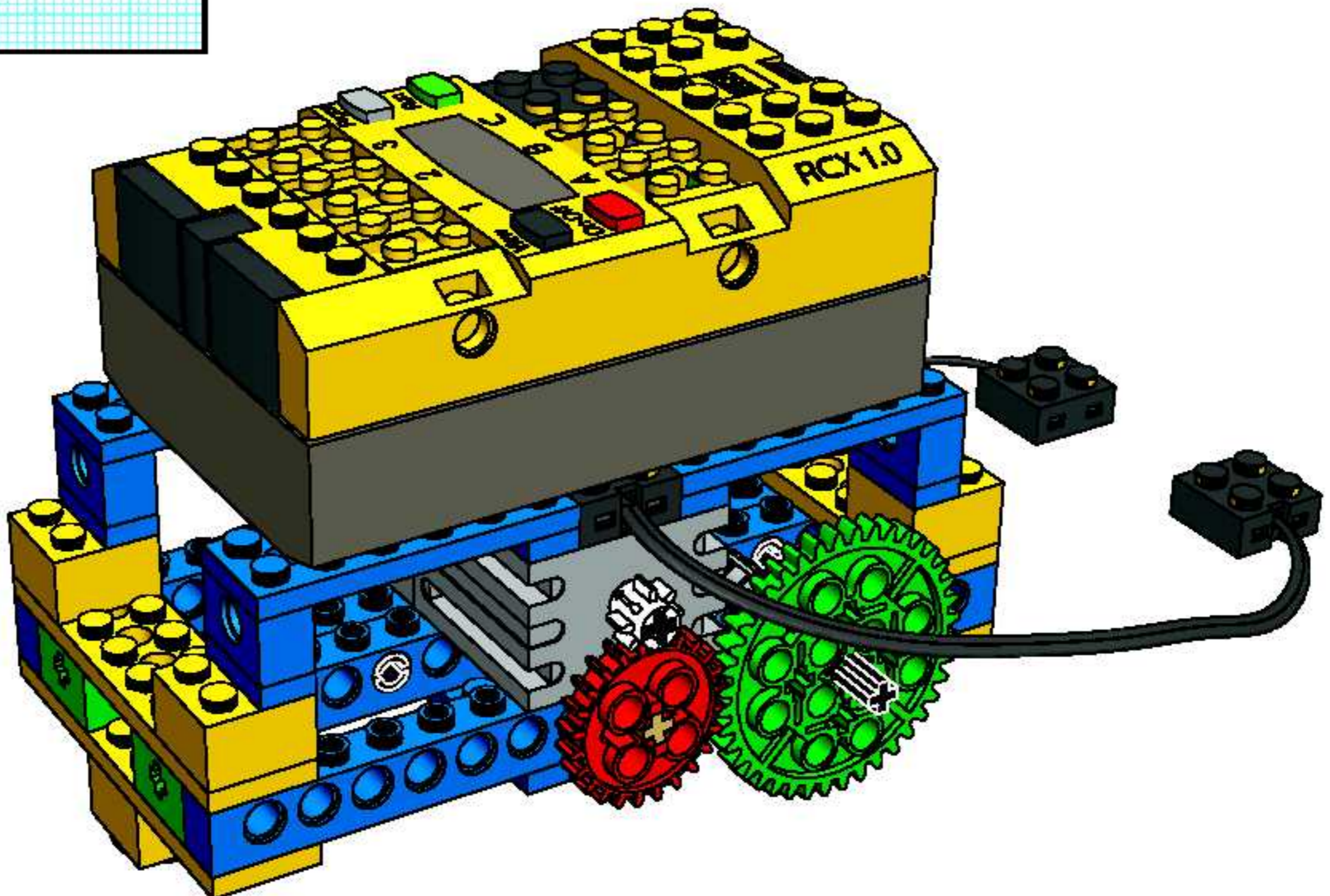
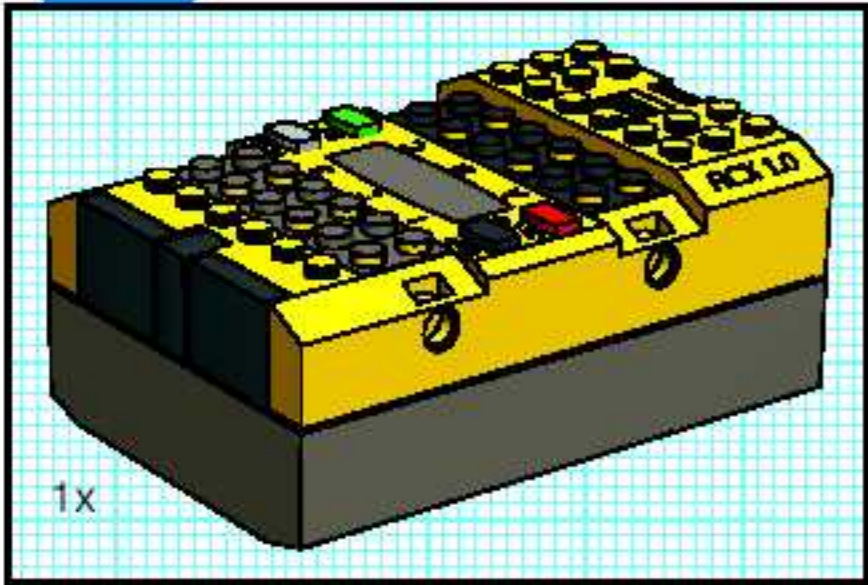
10



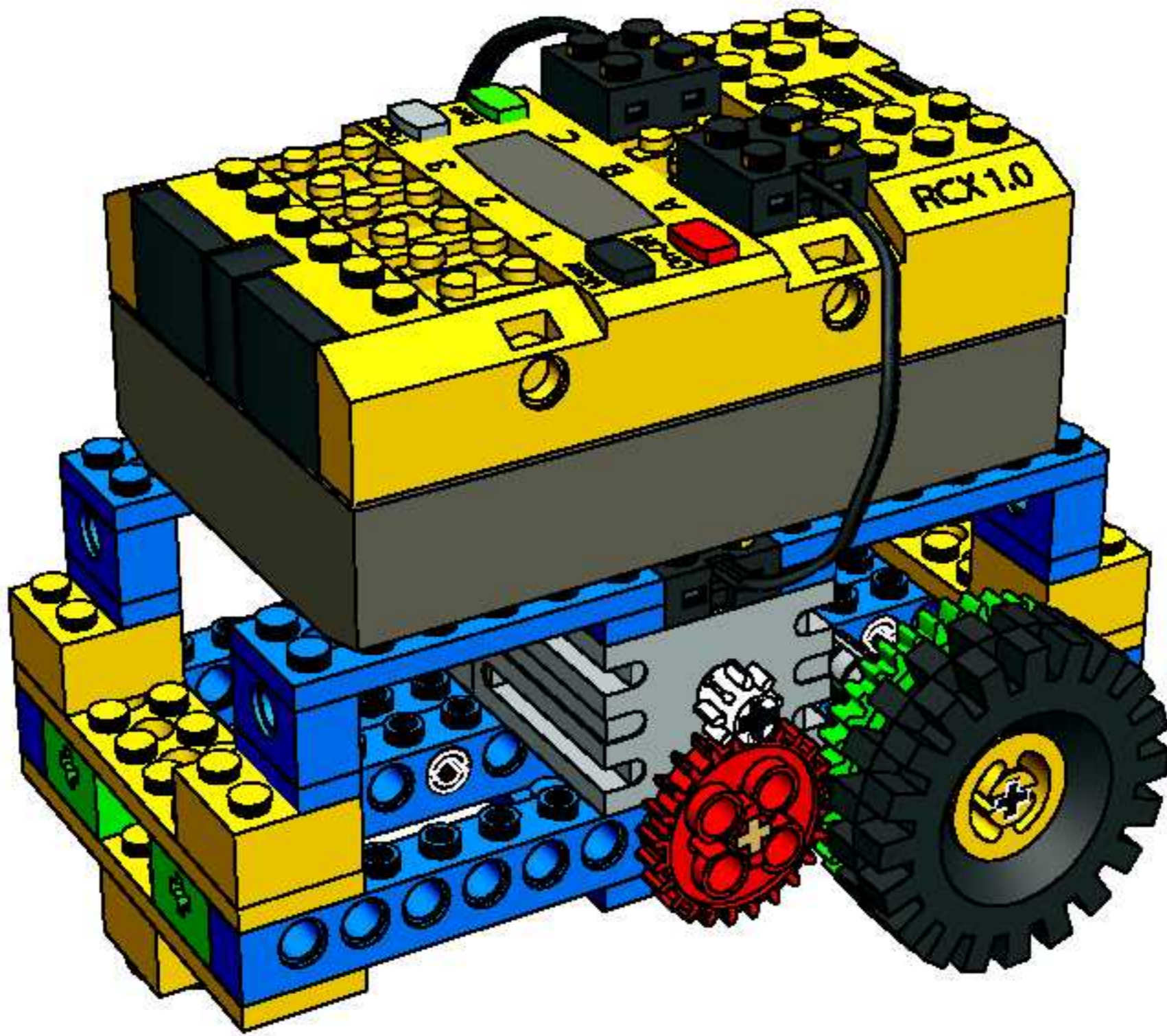
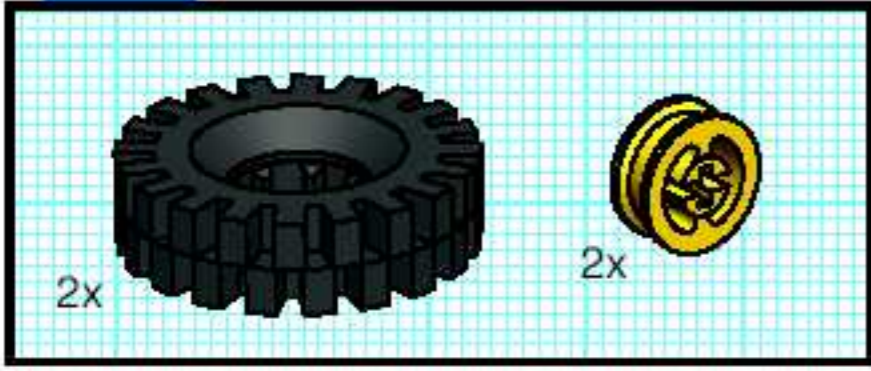
11



12



13

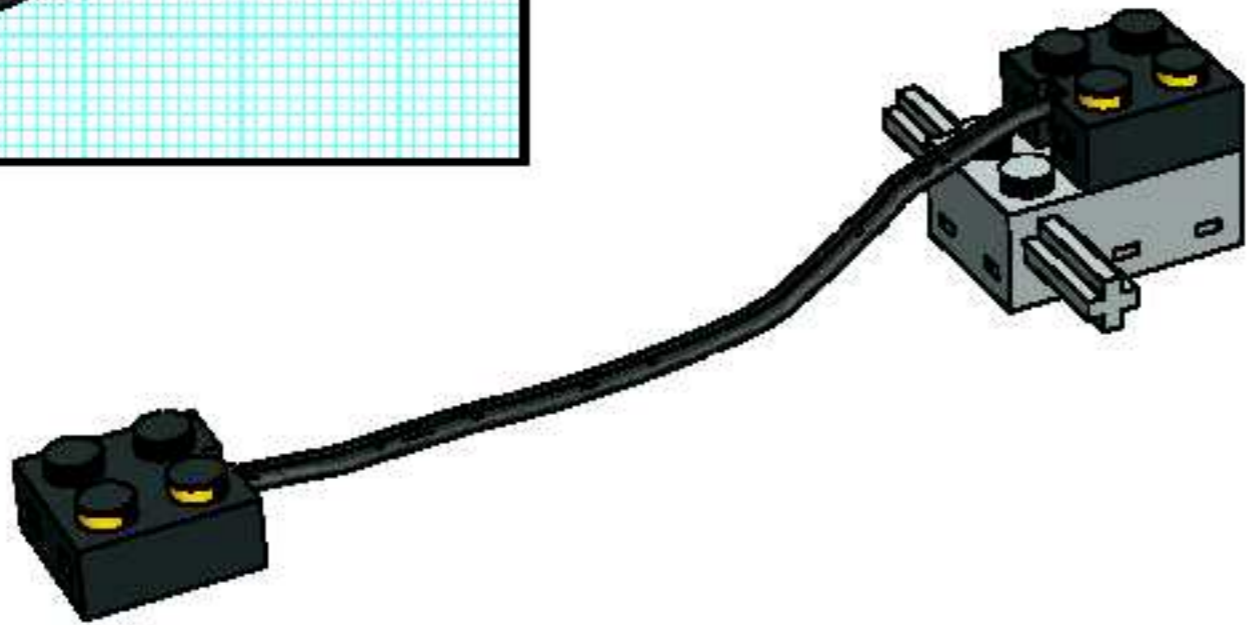
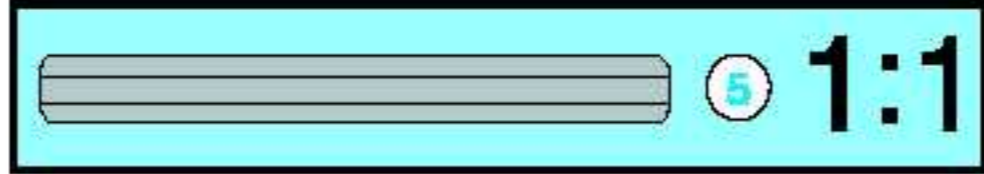
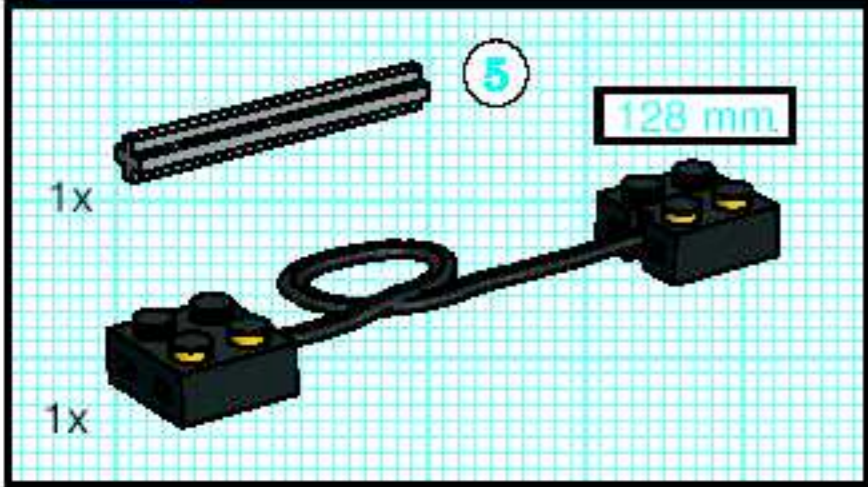




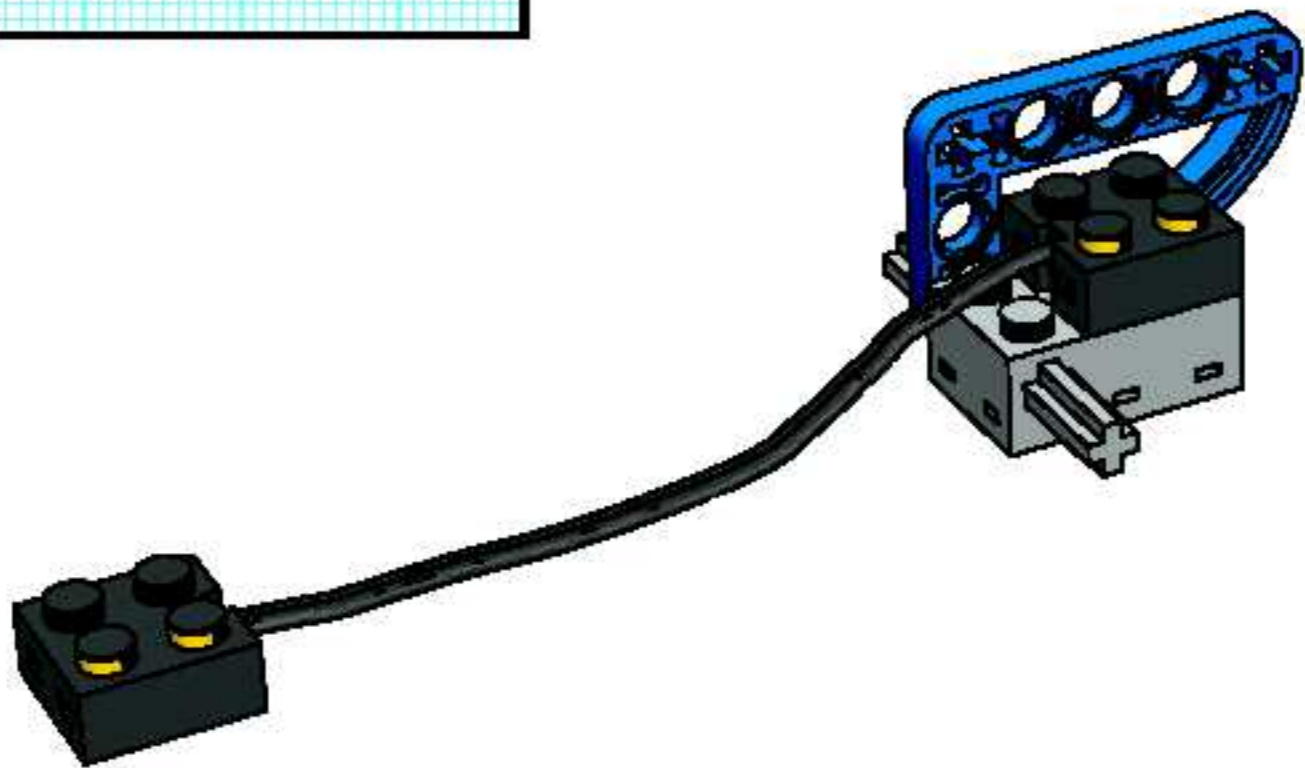
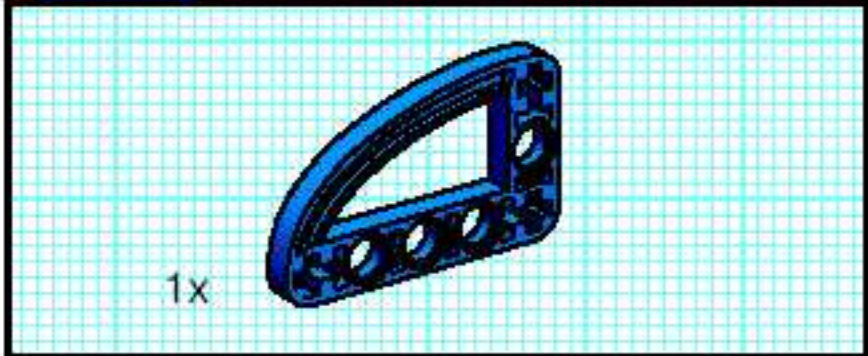
1



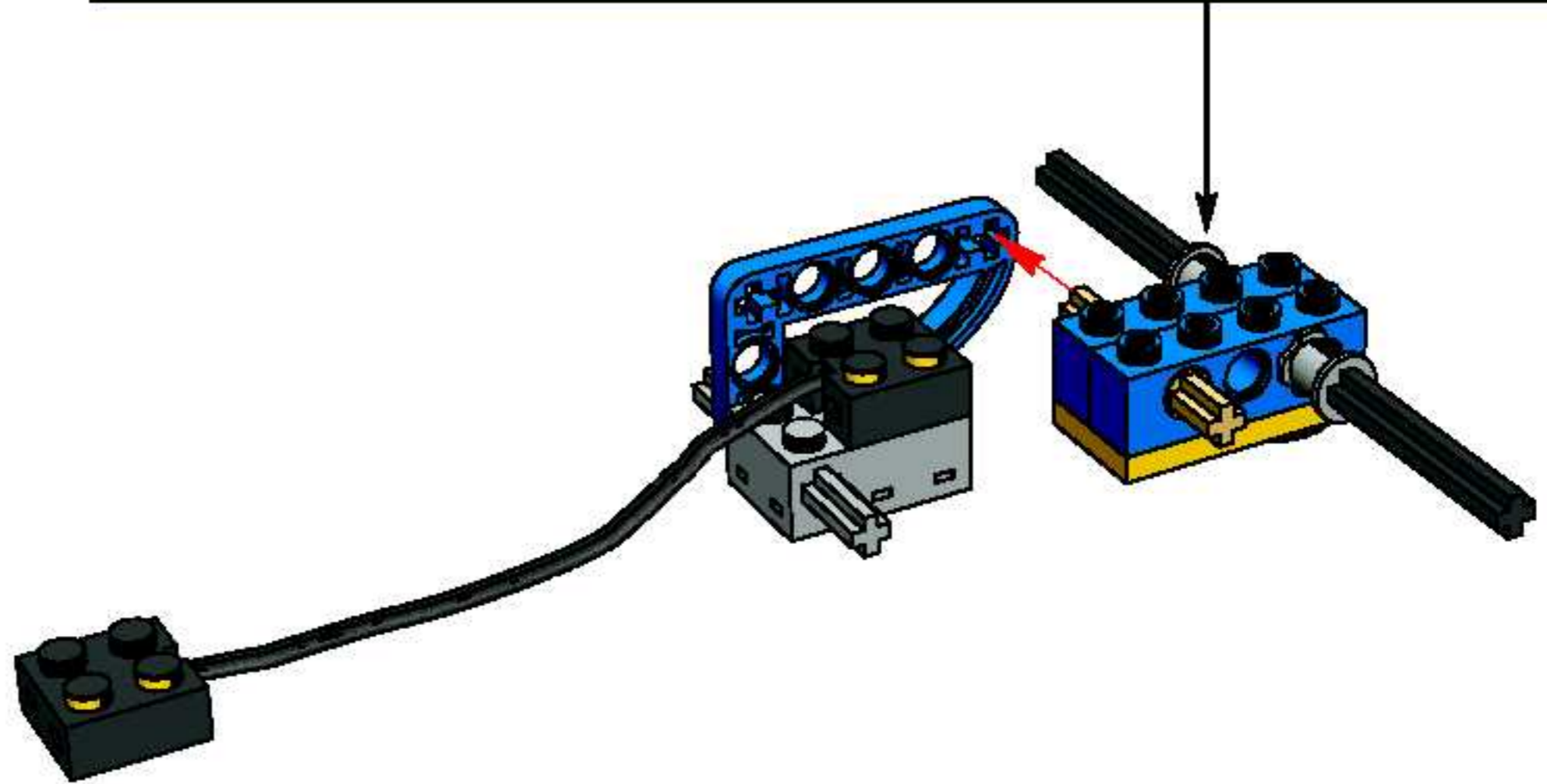
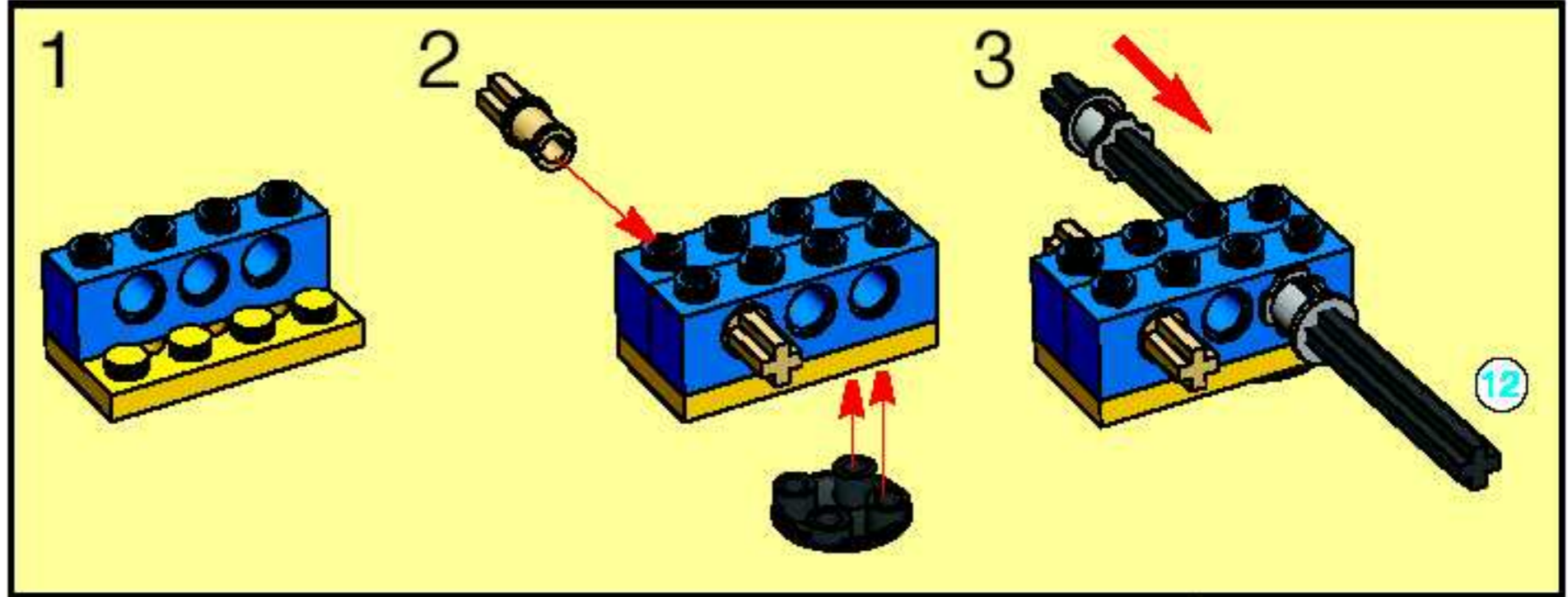
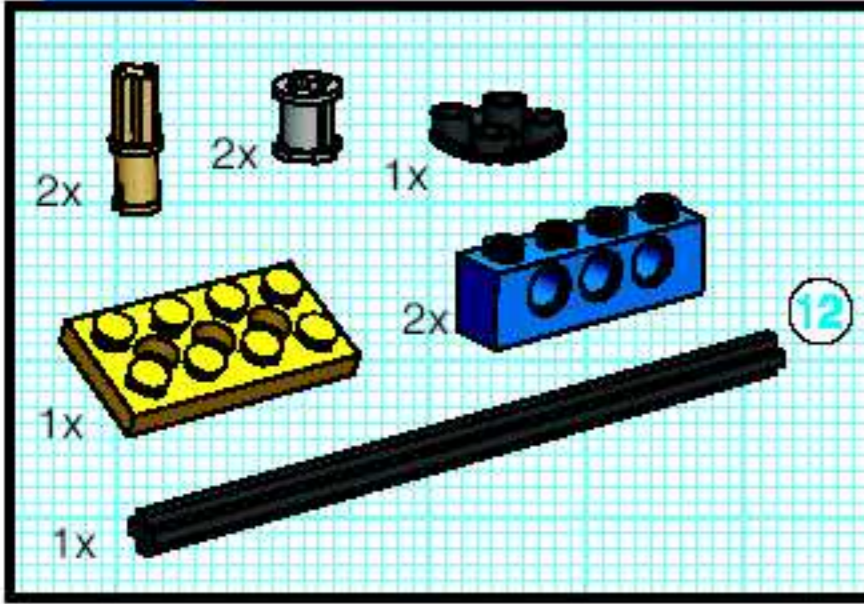
2



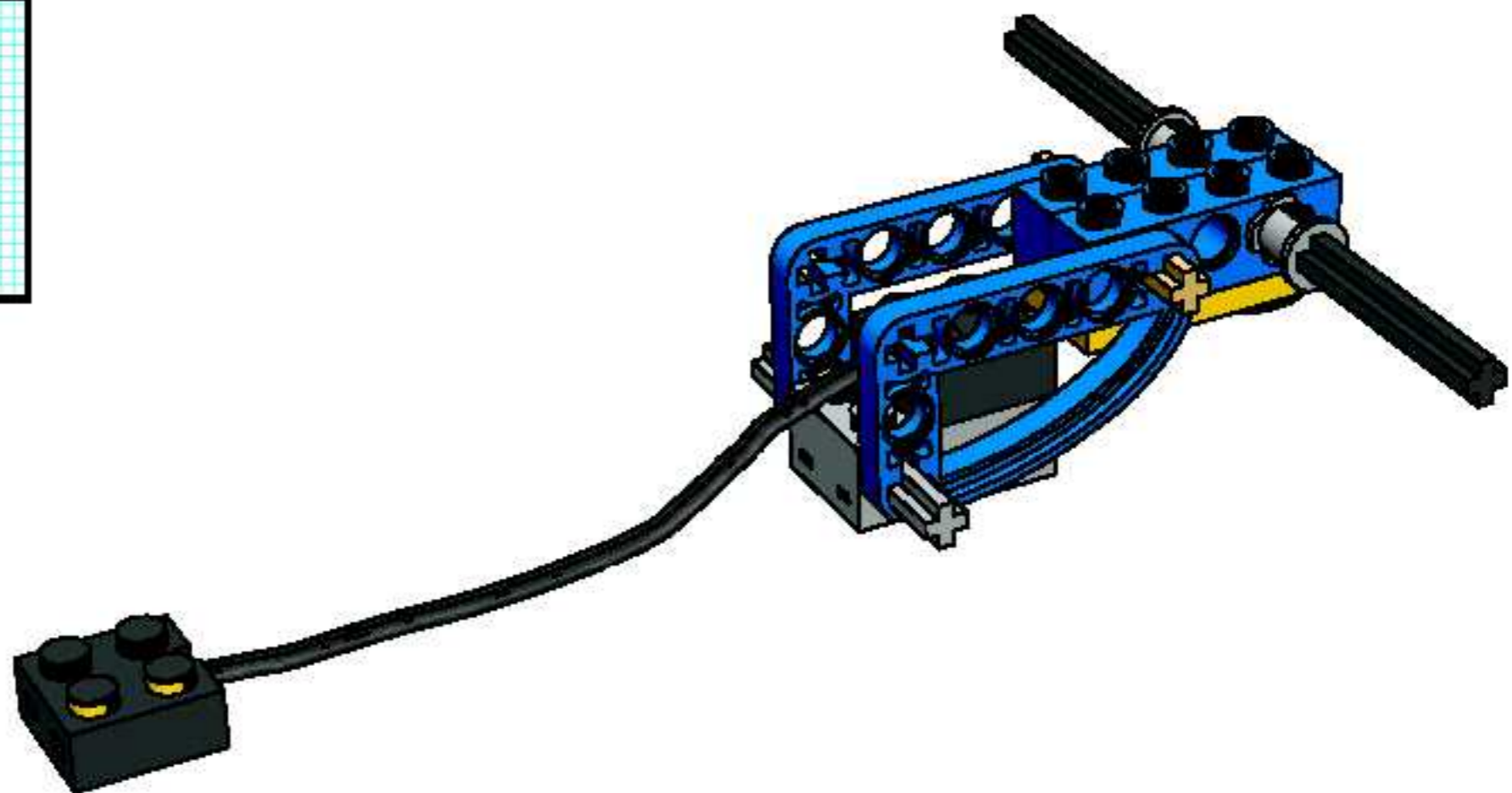
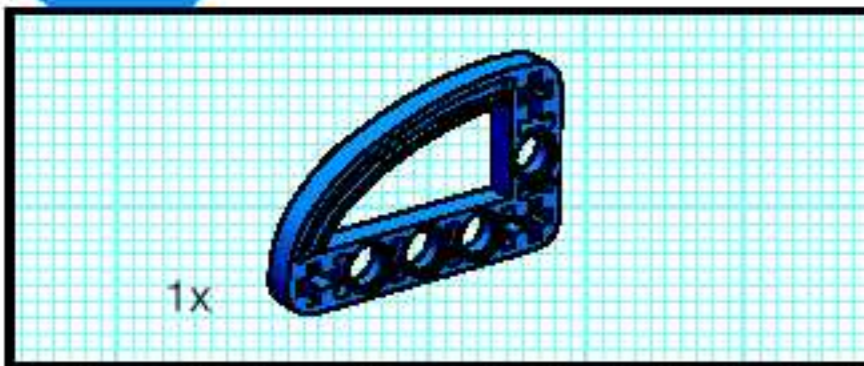
3



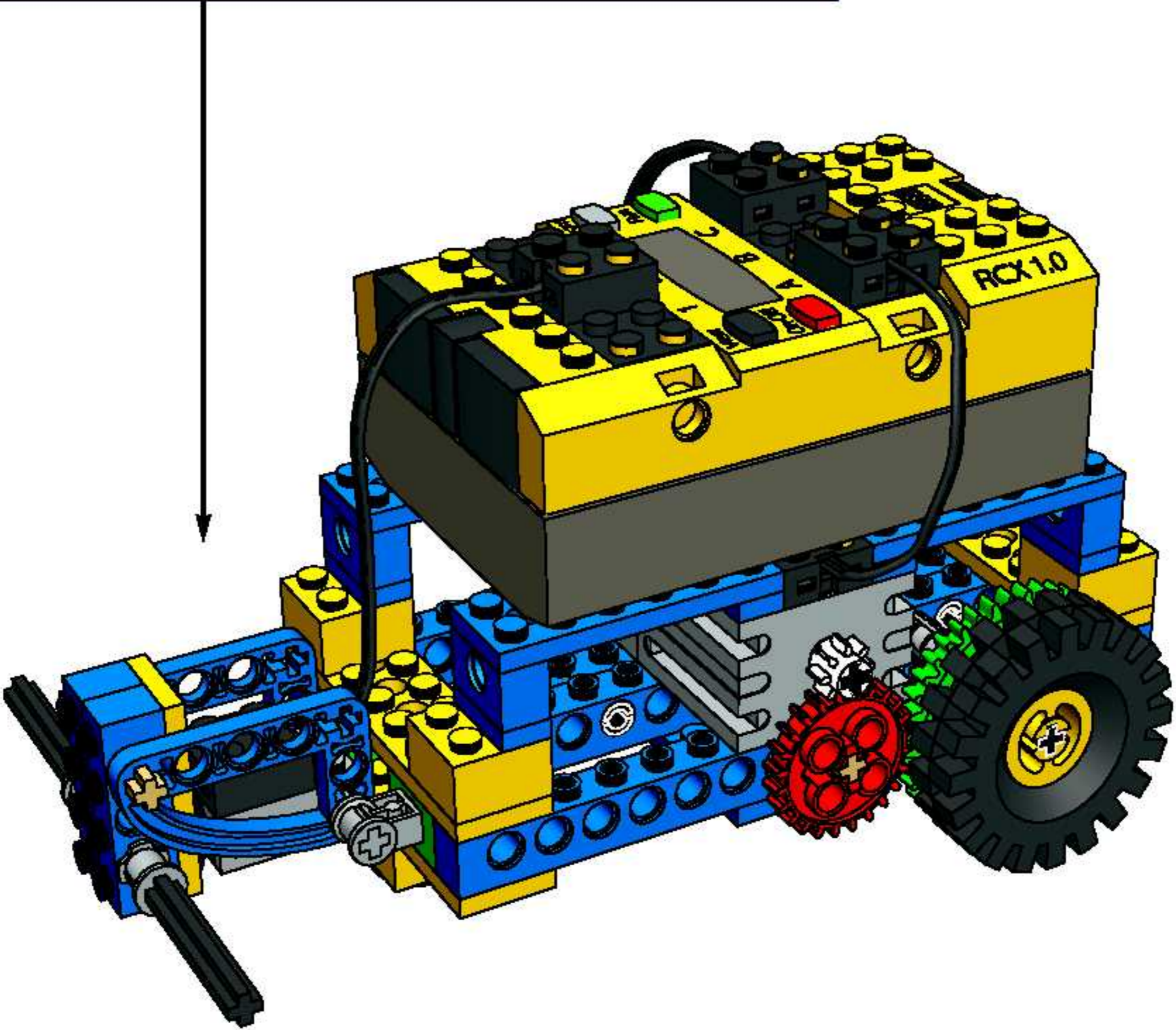
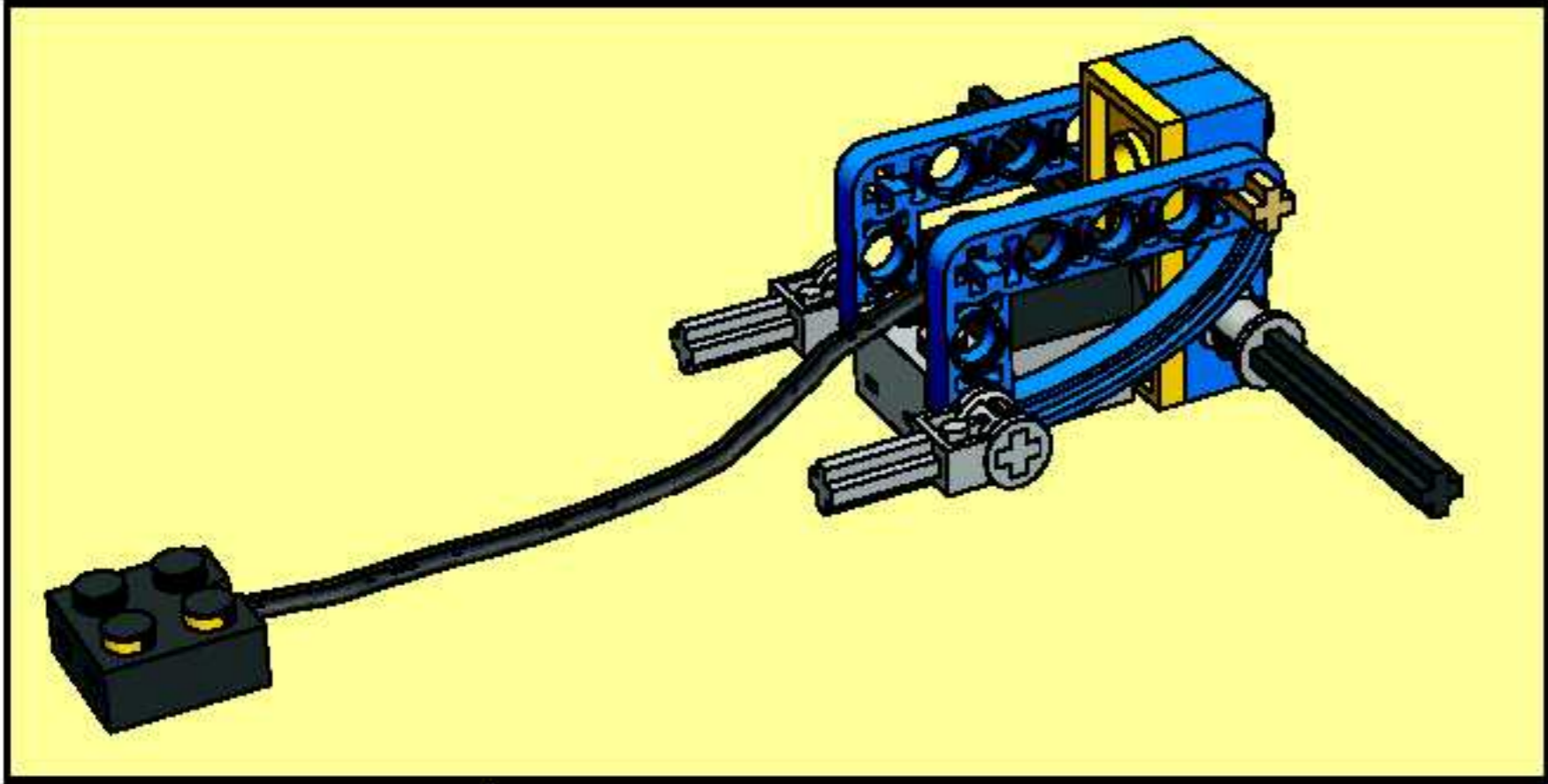
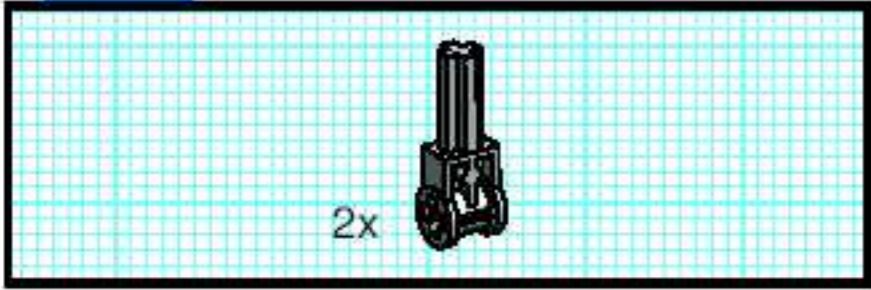
4

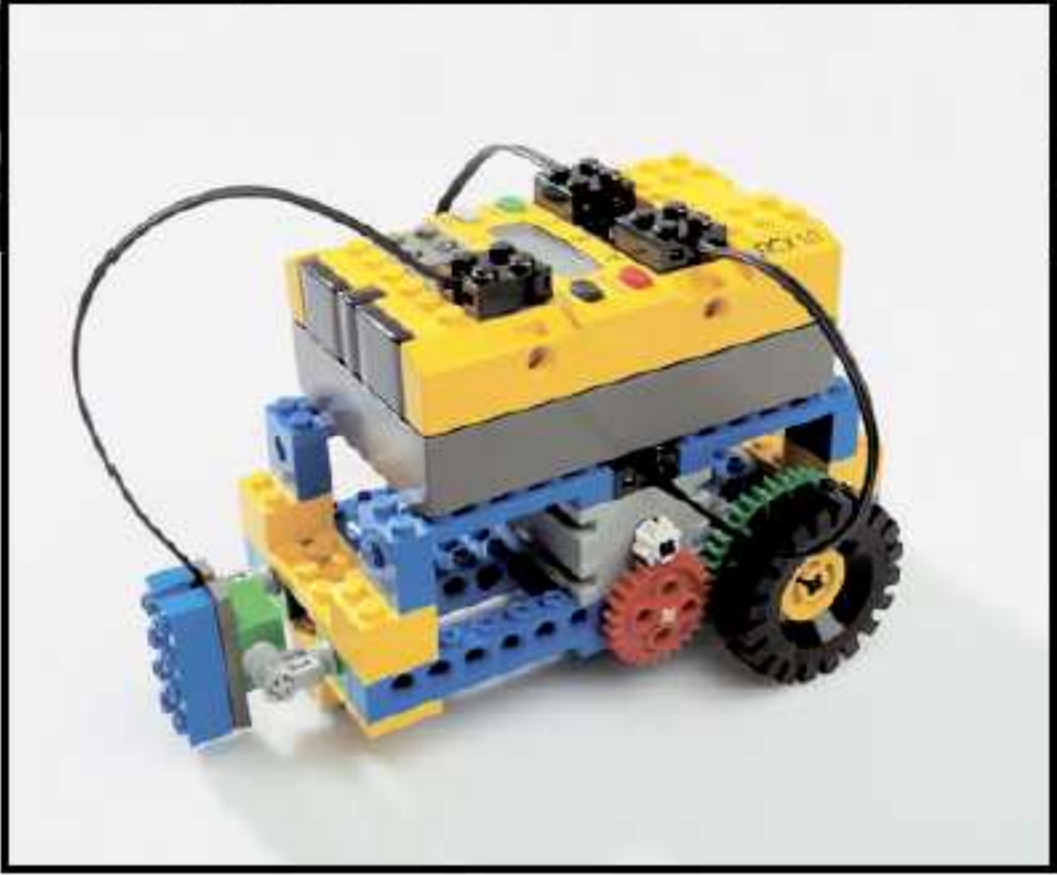


5

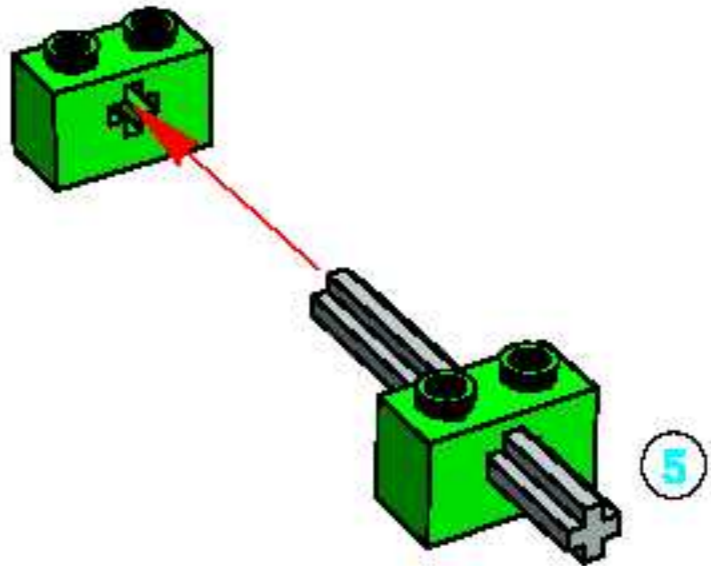
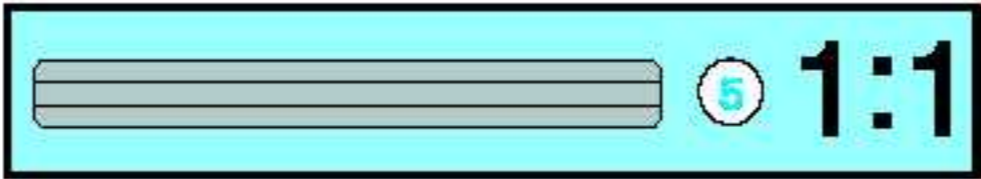
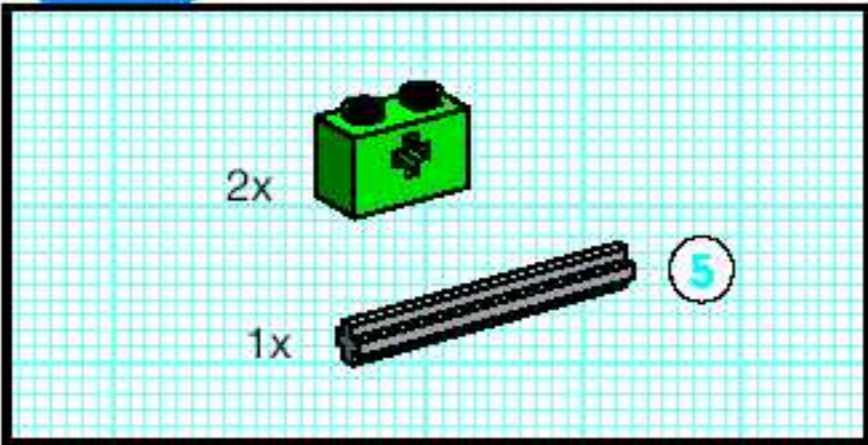


6

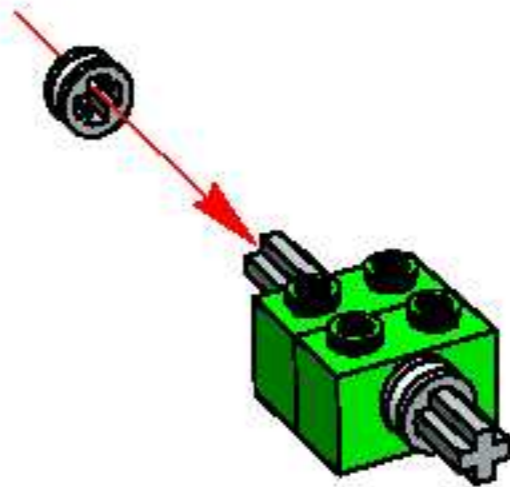




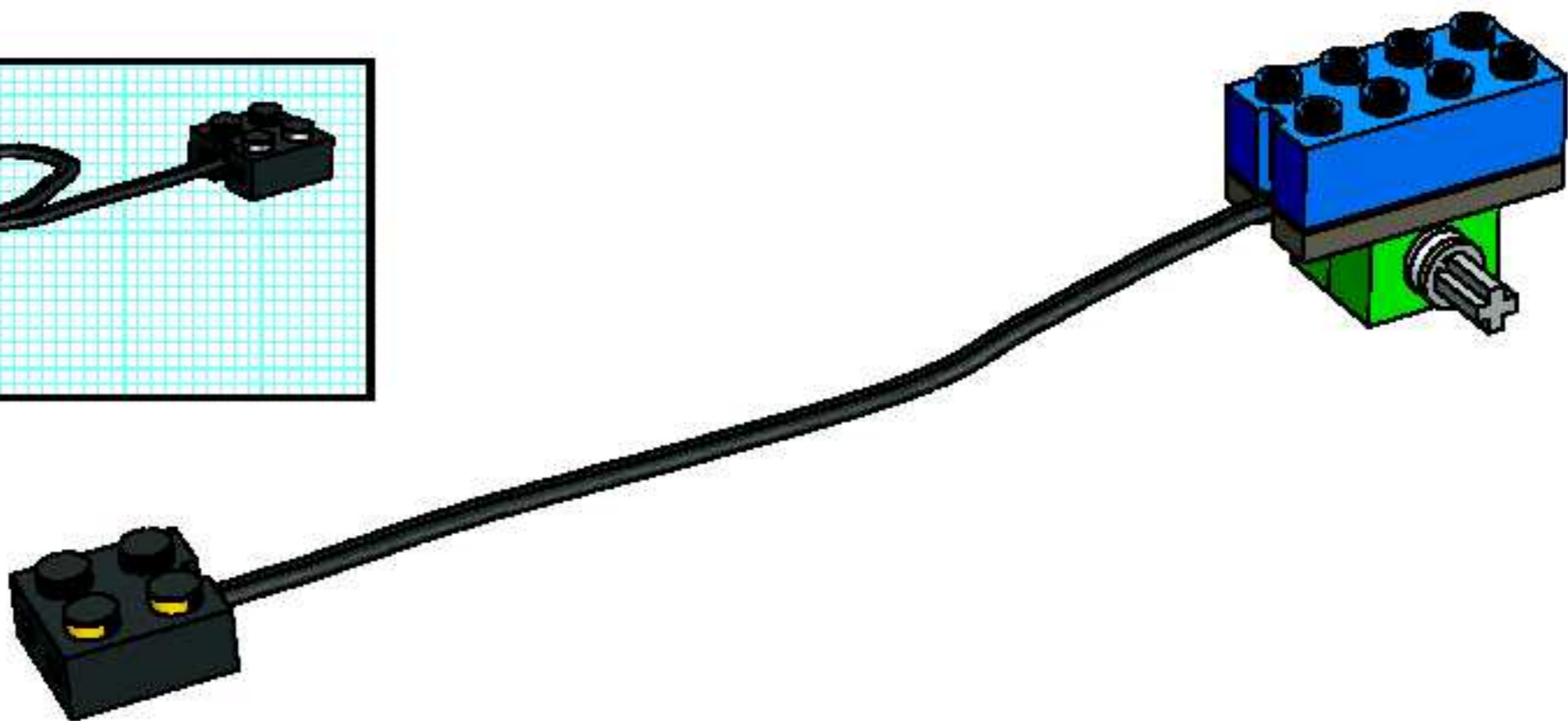
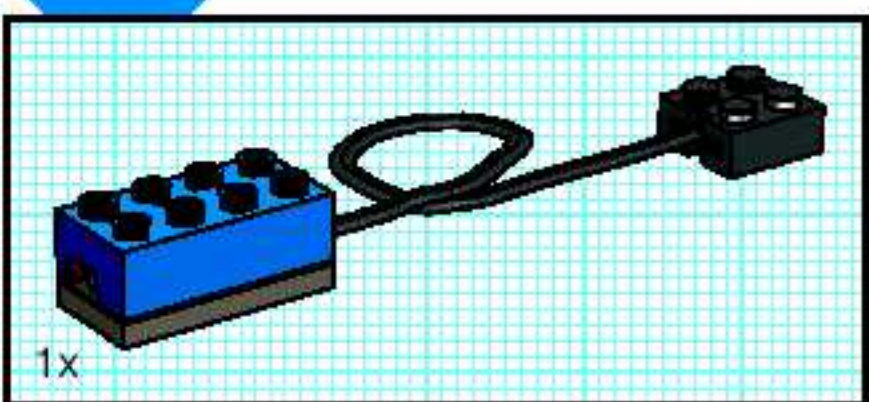
1



2



3



4

