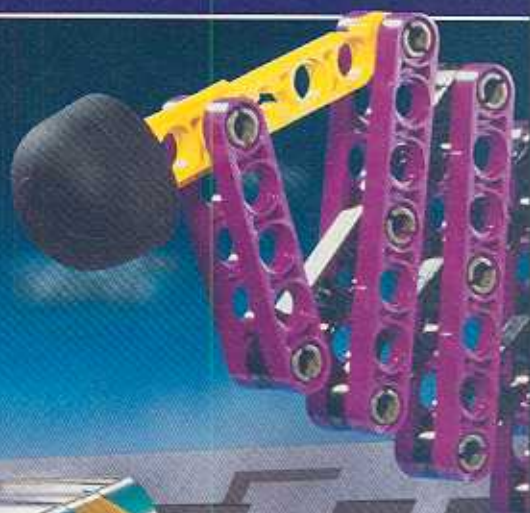


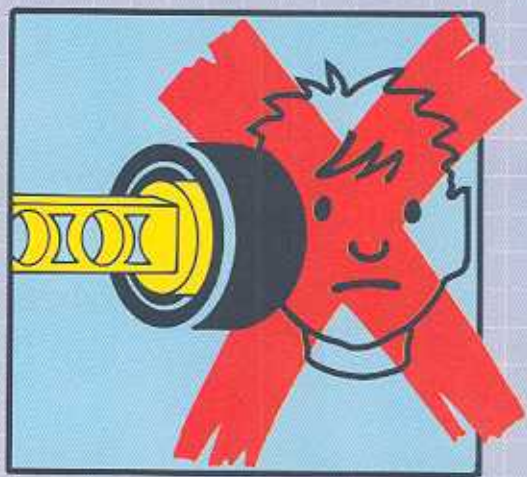
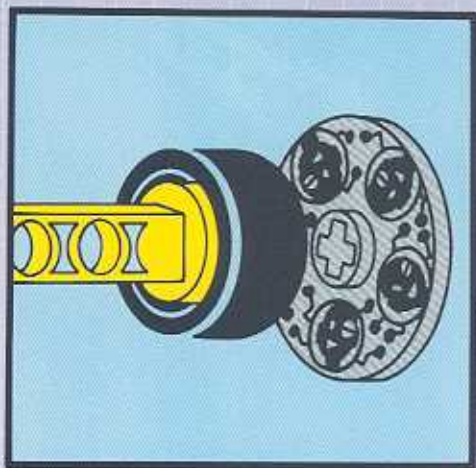
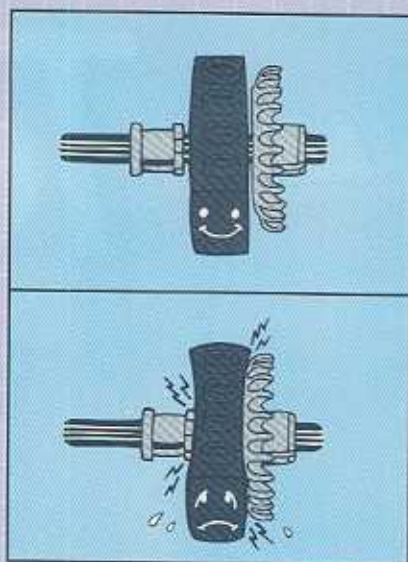
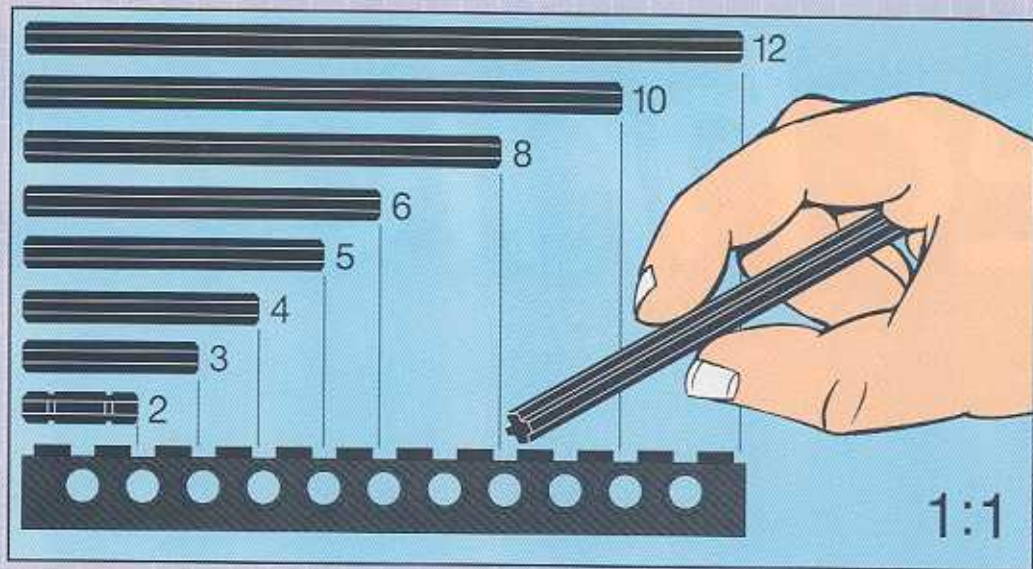


Technic



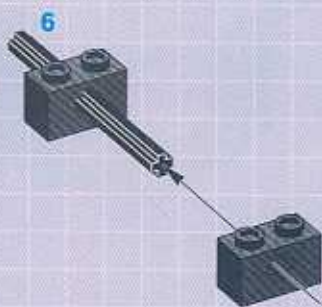
COMPETITION

8257

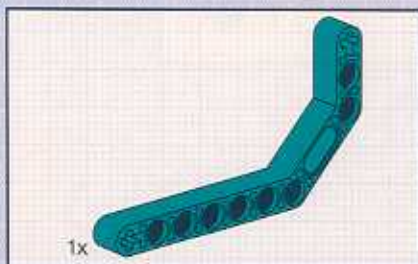




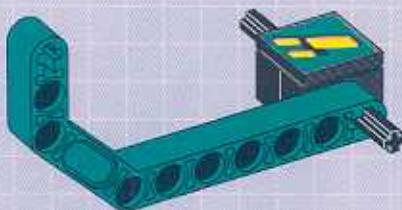
1

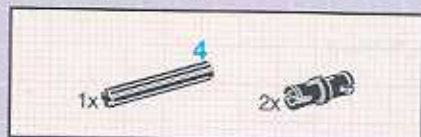


2

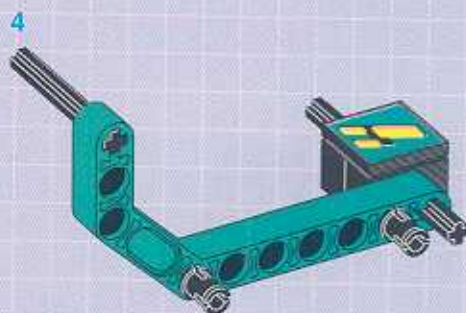


3

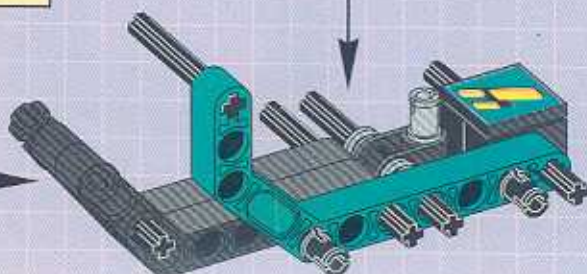
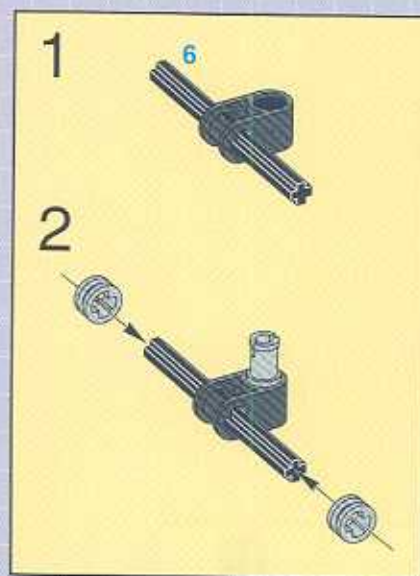
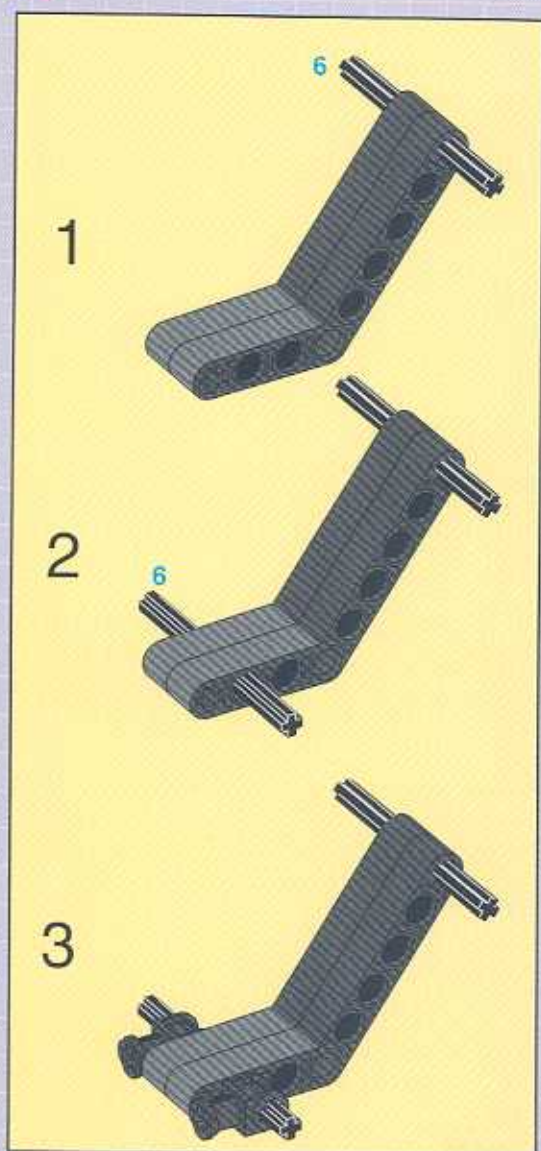


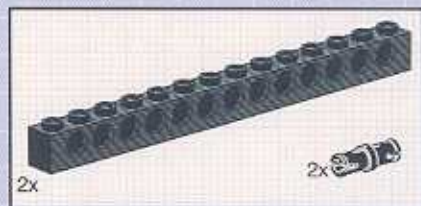
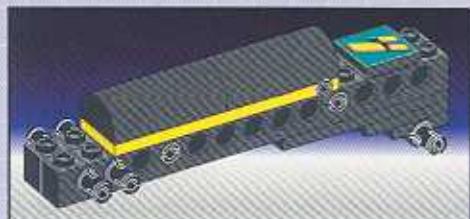


4

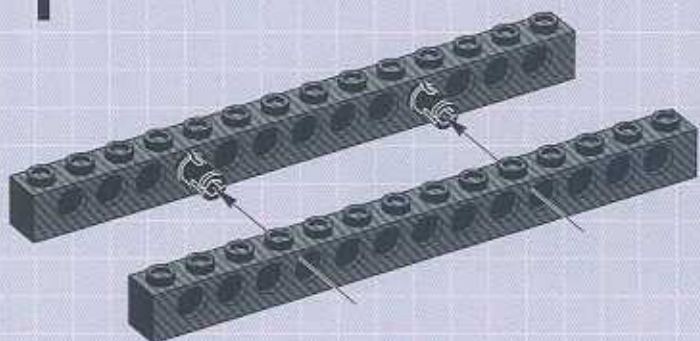


5

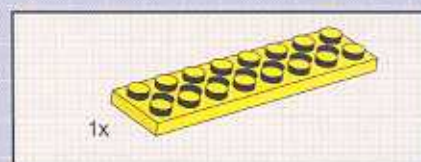
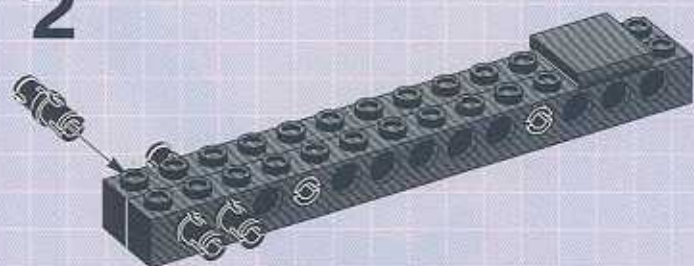




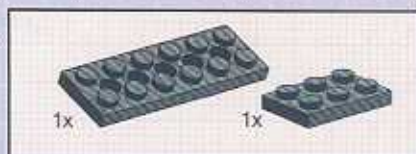
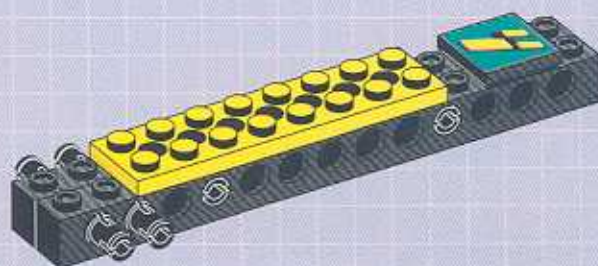
1



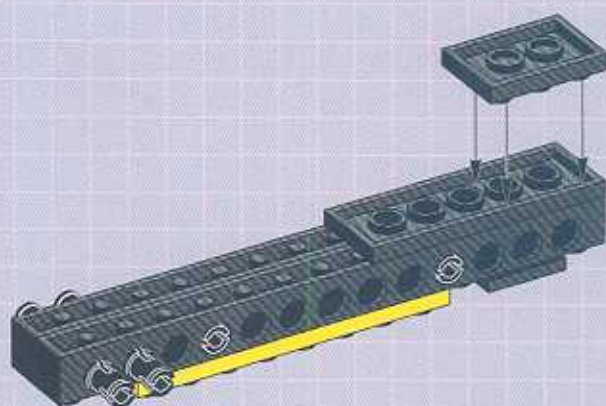
2



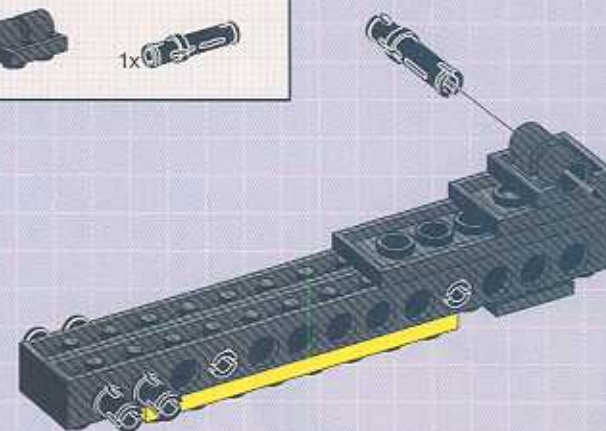
3



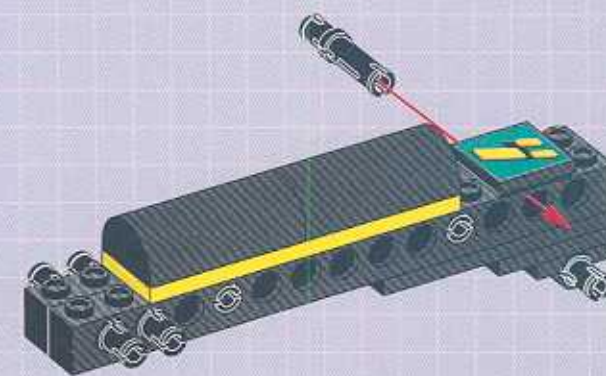
4



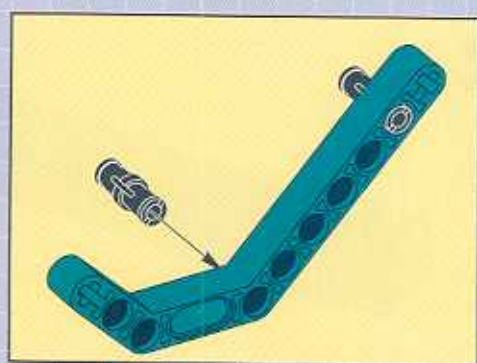
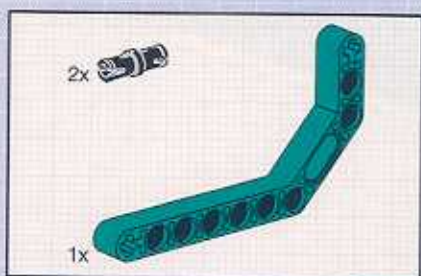
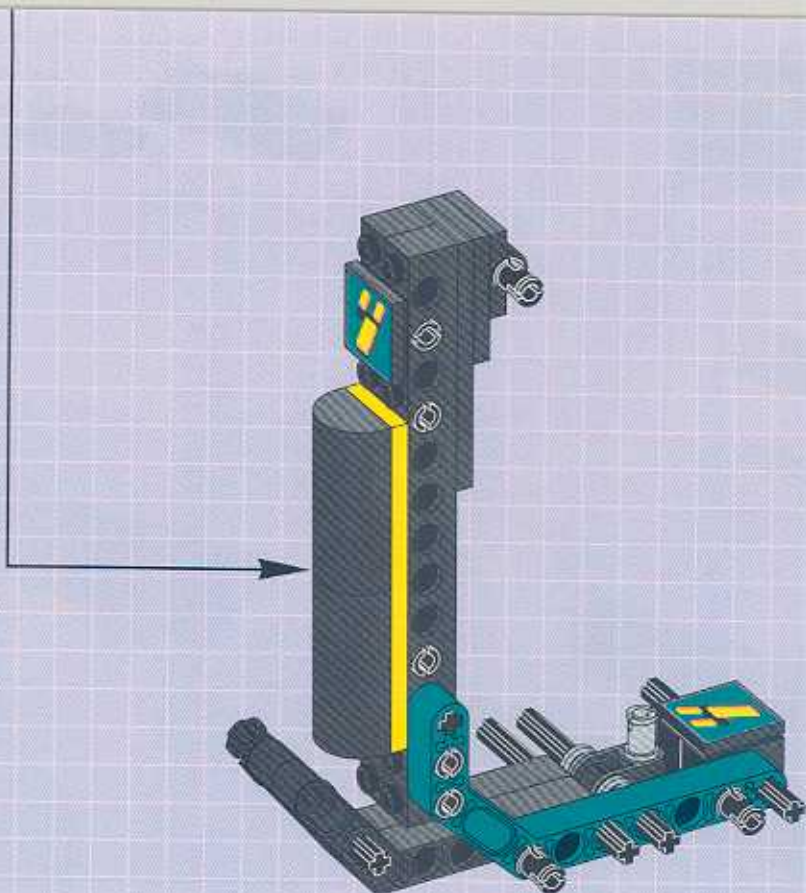
5



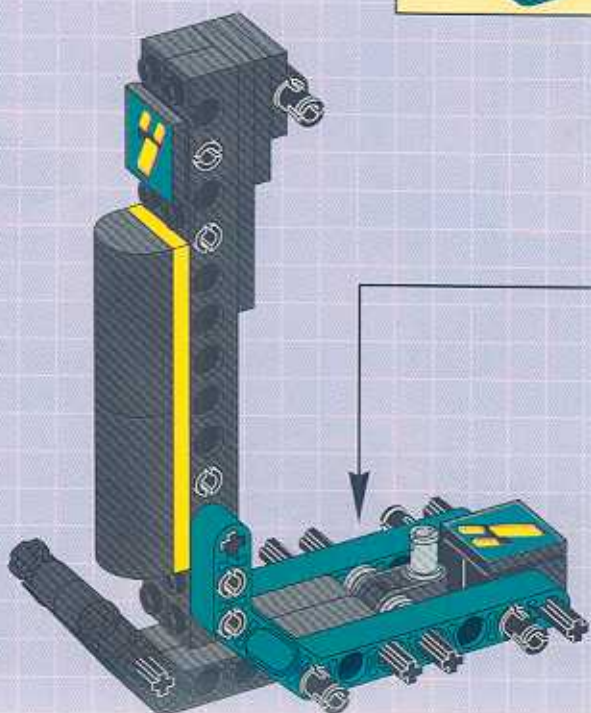
6

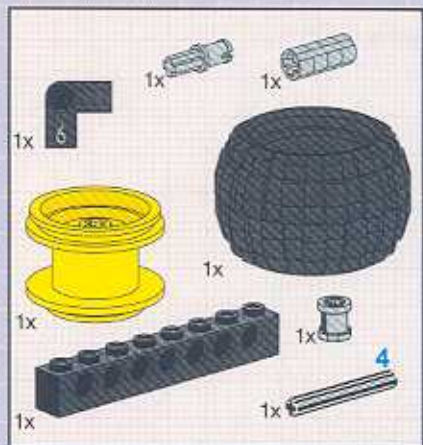


6

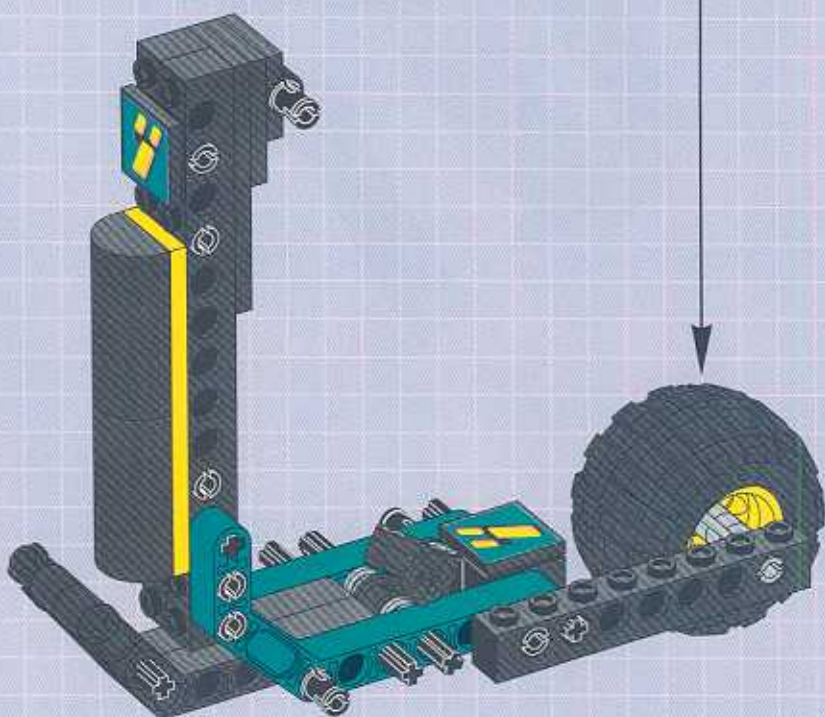
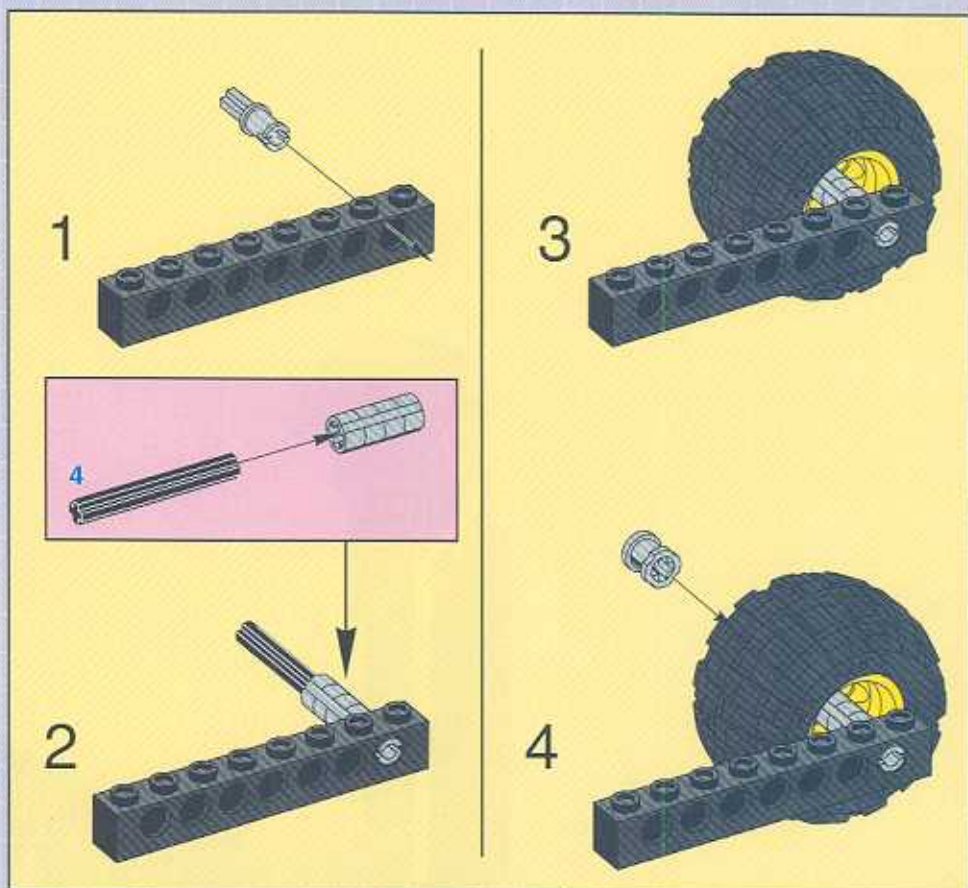


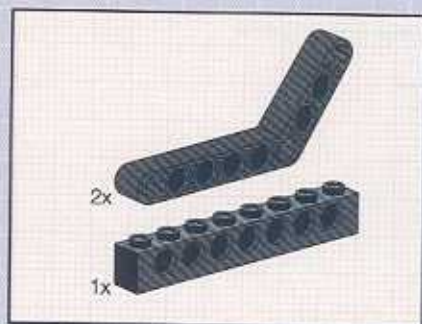
7



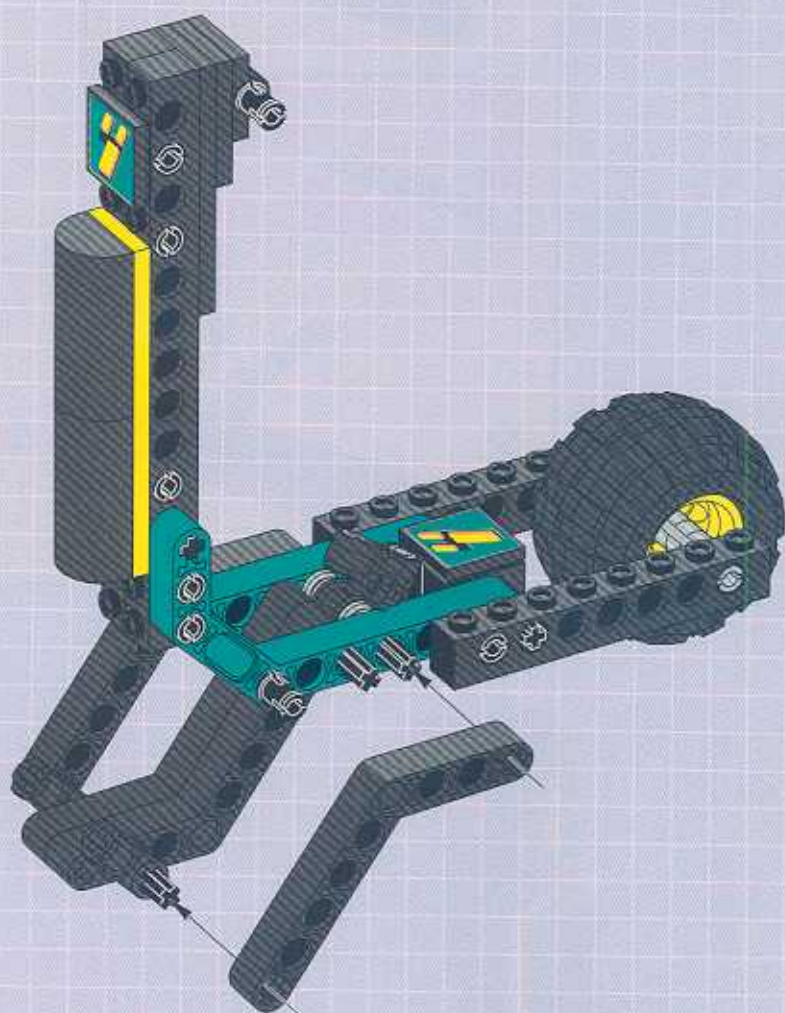


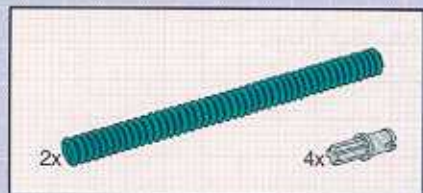
8



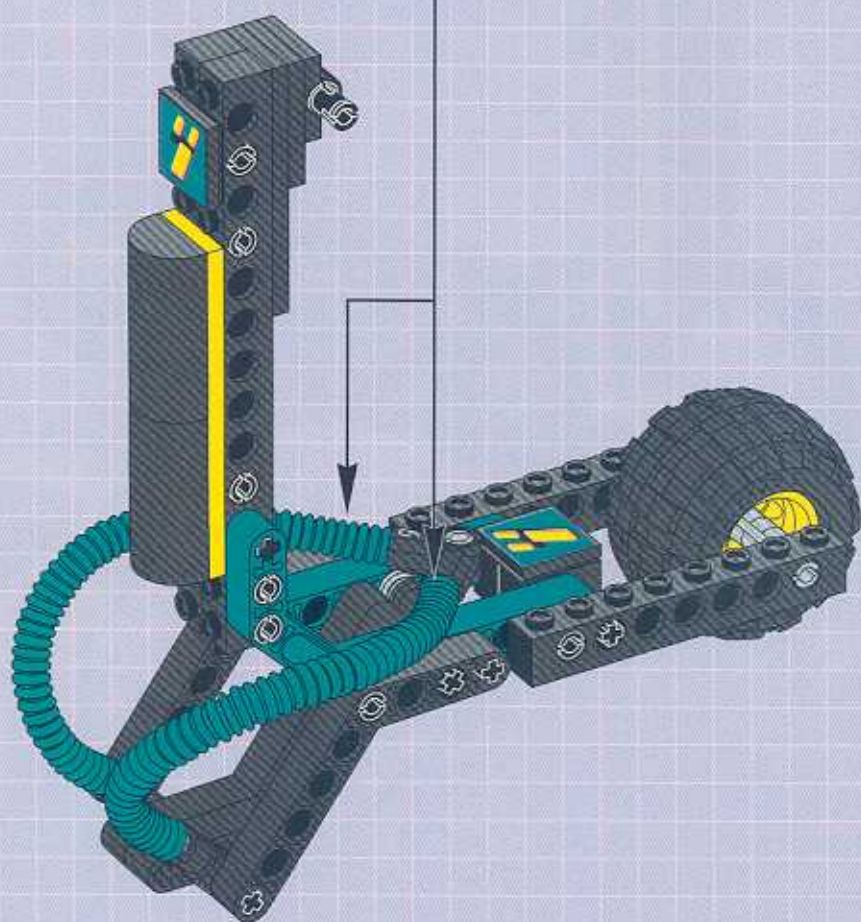
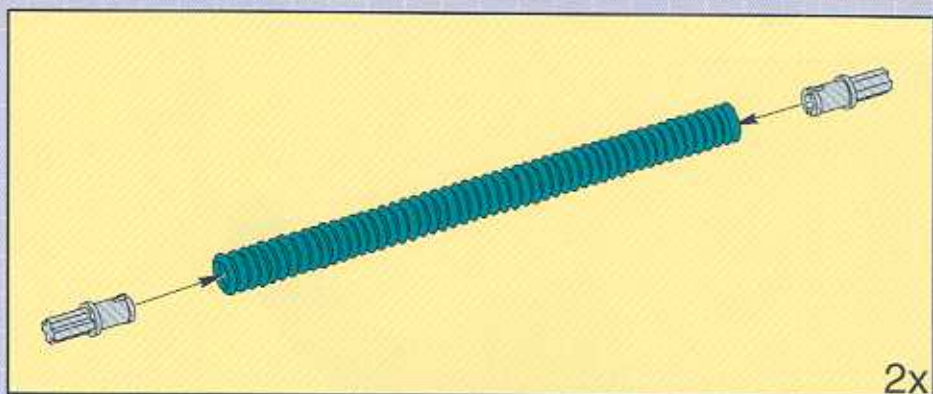


9



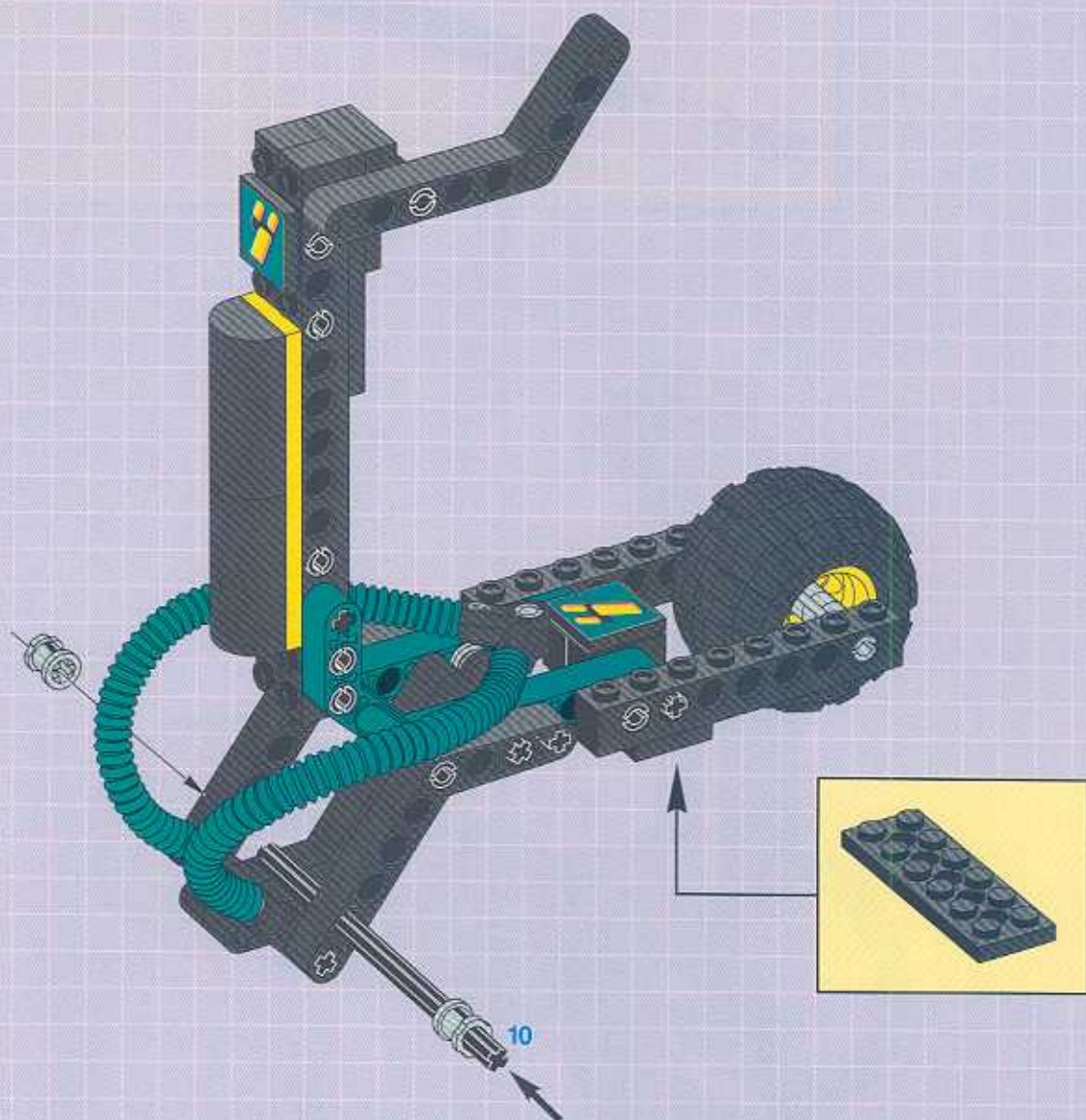


10



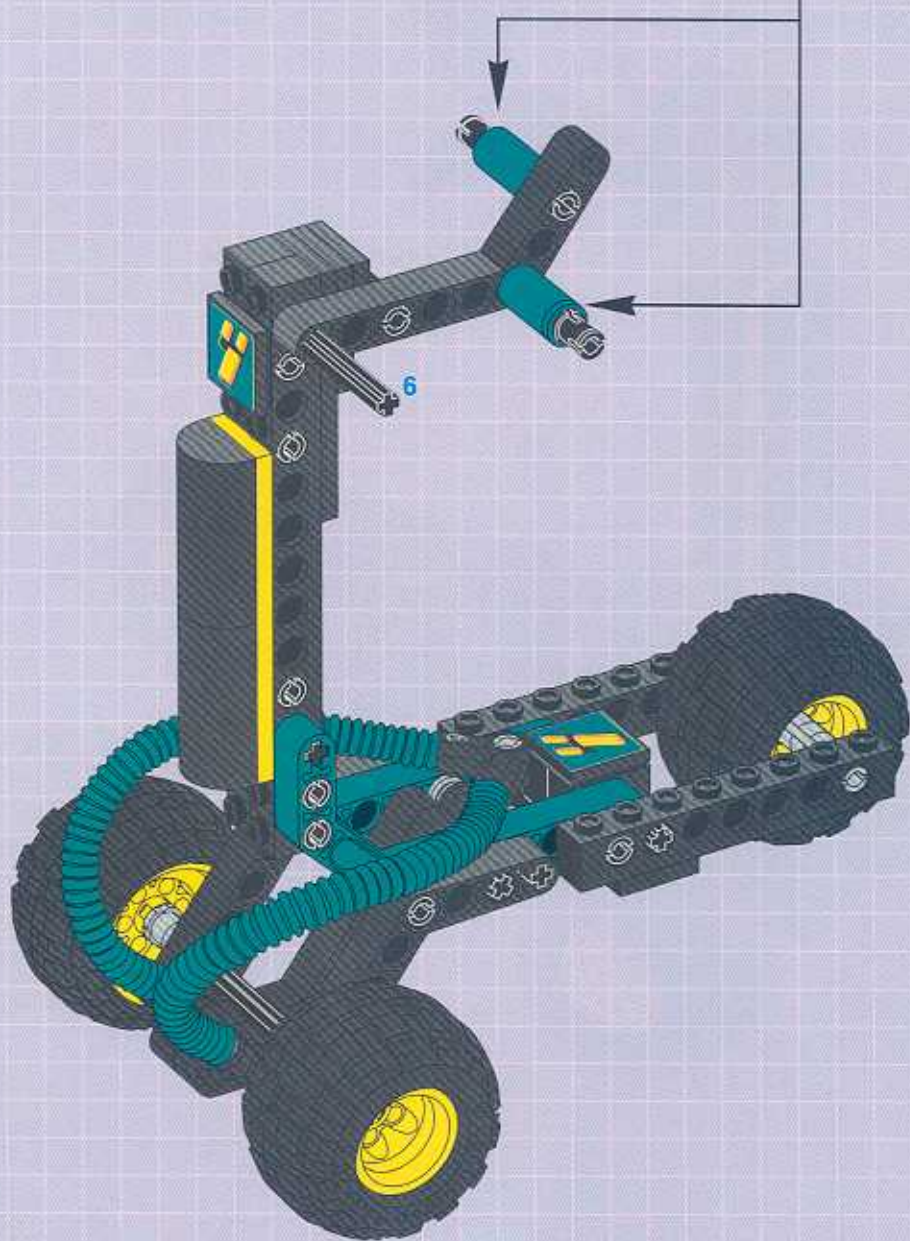
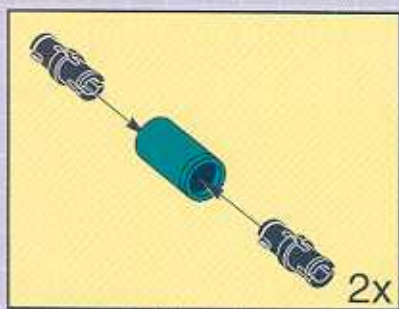


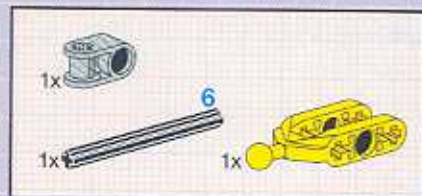
11



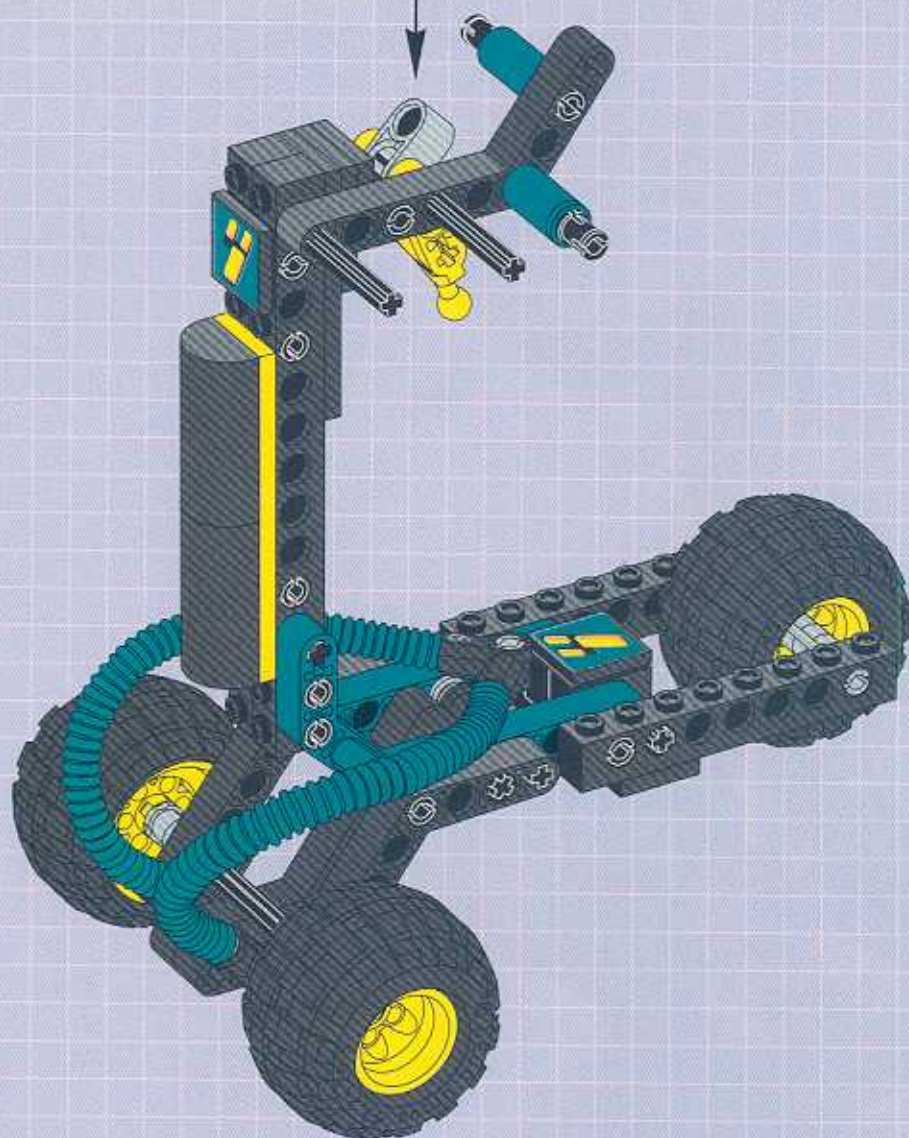


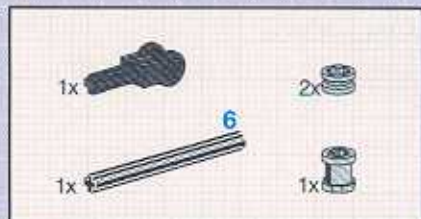
12



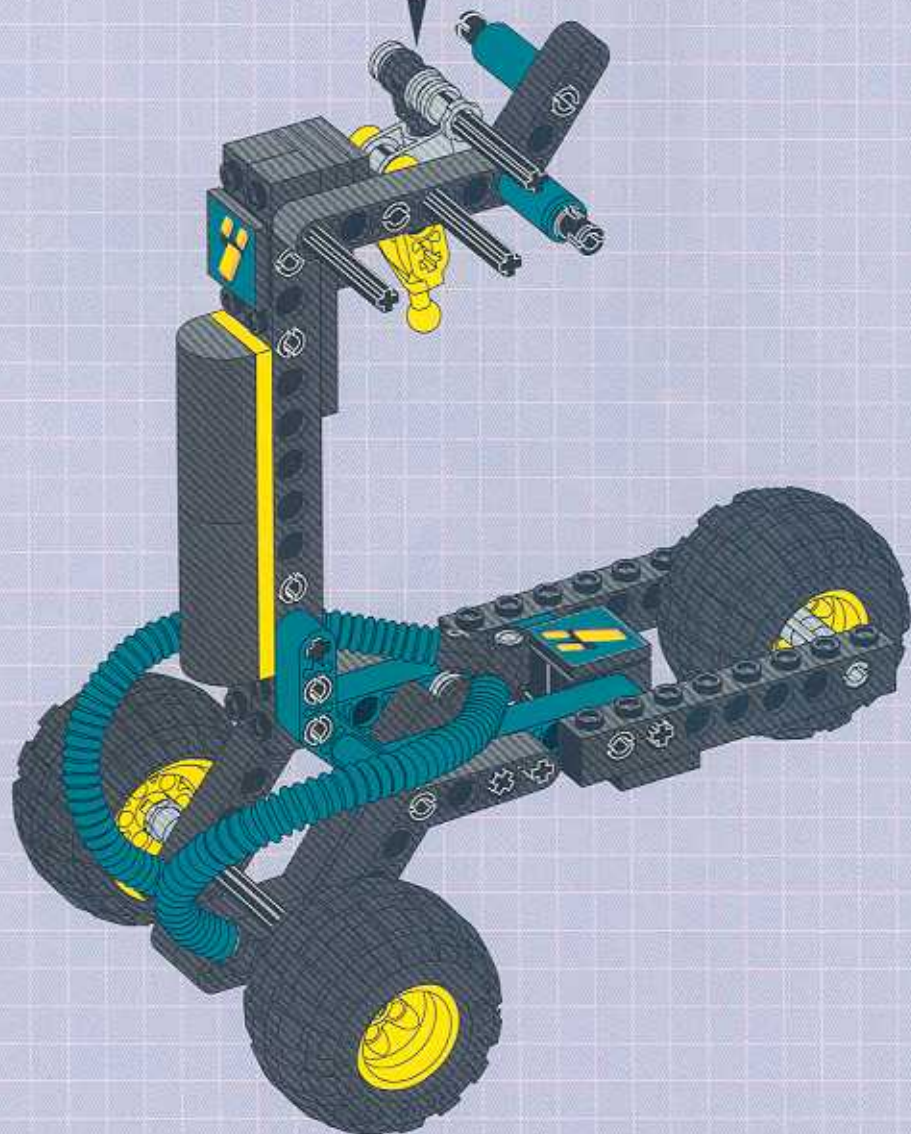
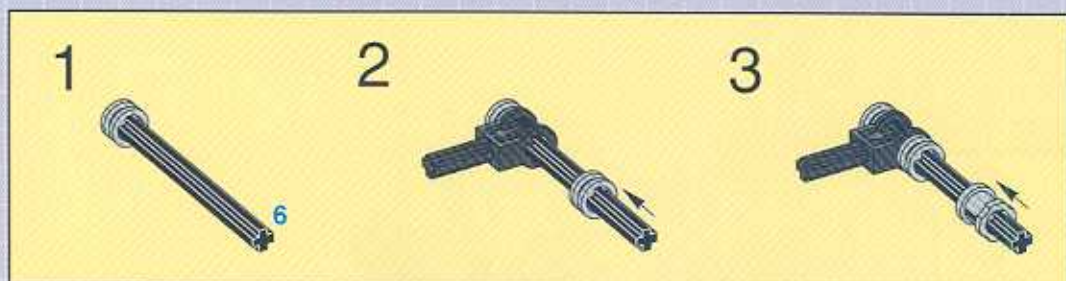


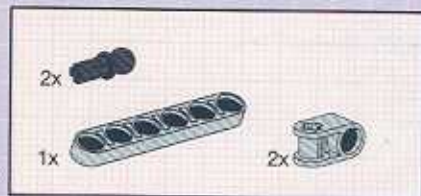
13



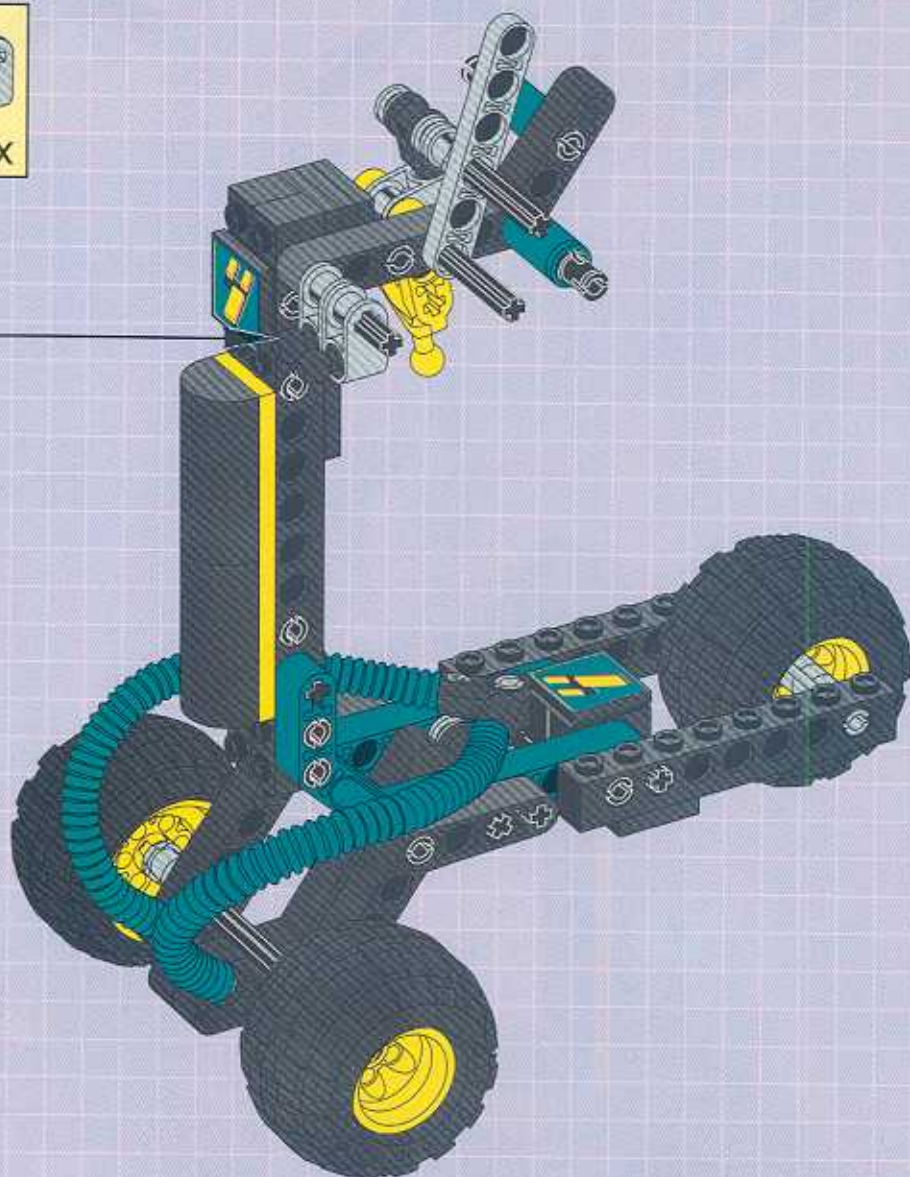
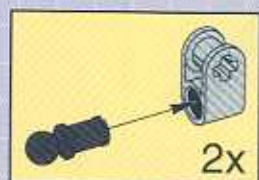


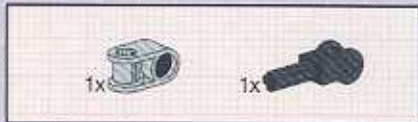
14



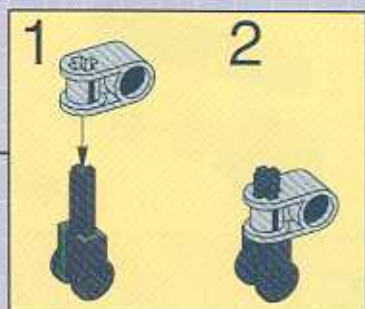
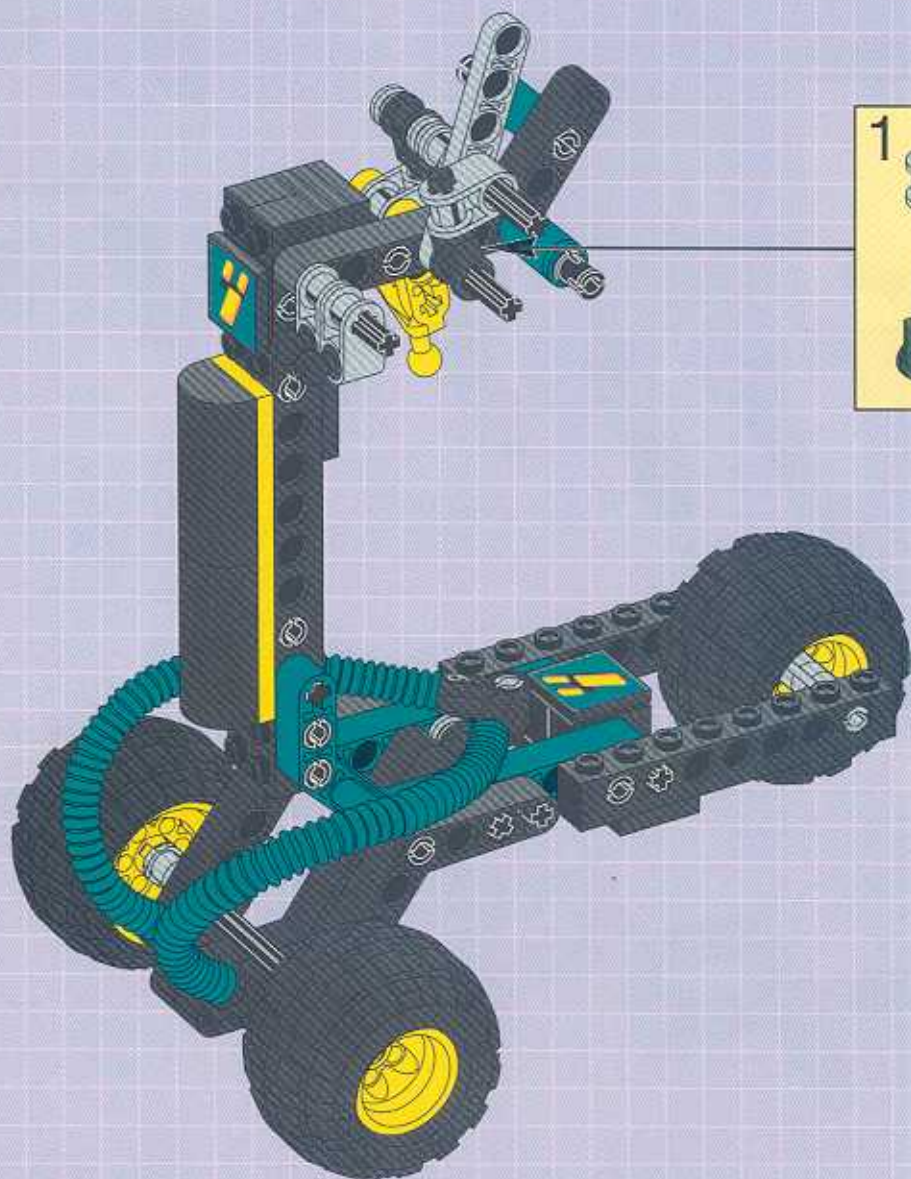


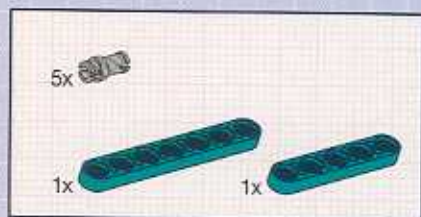
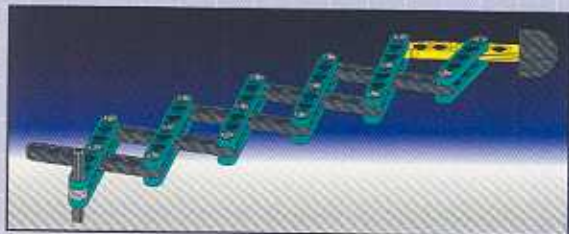
15



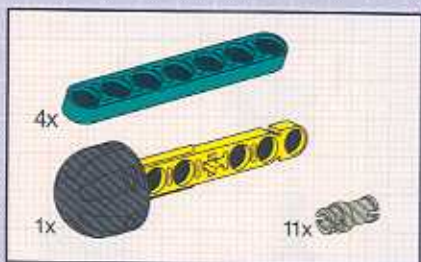


16

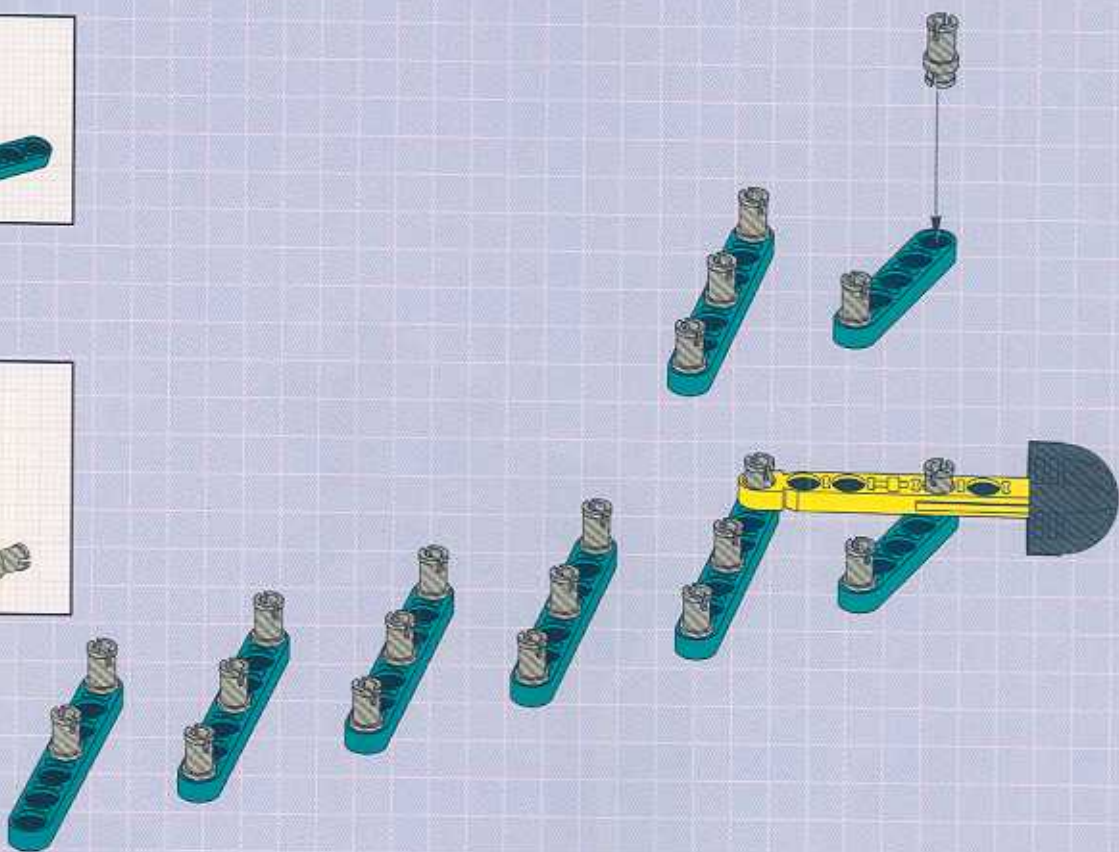




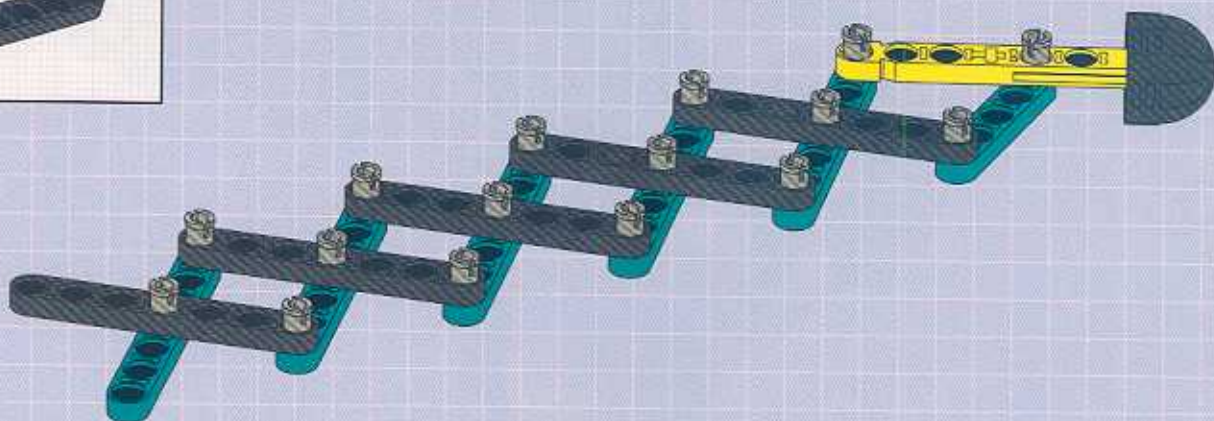
1



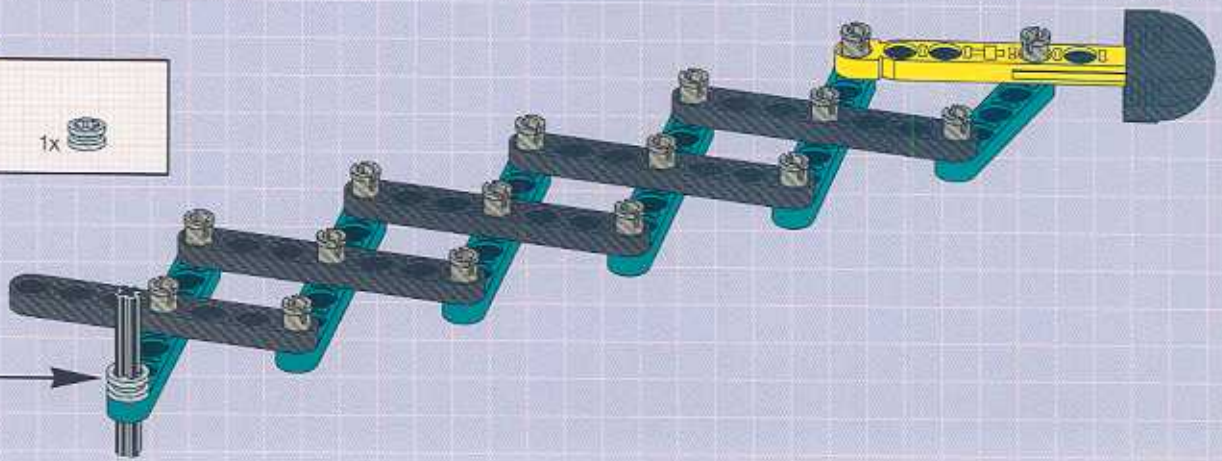
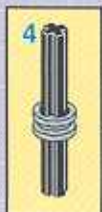
2

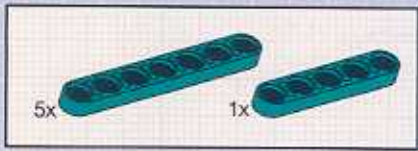


3

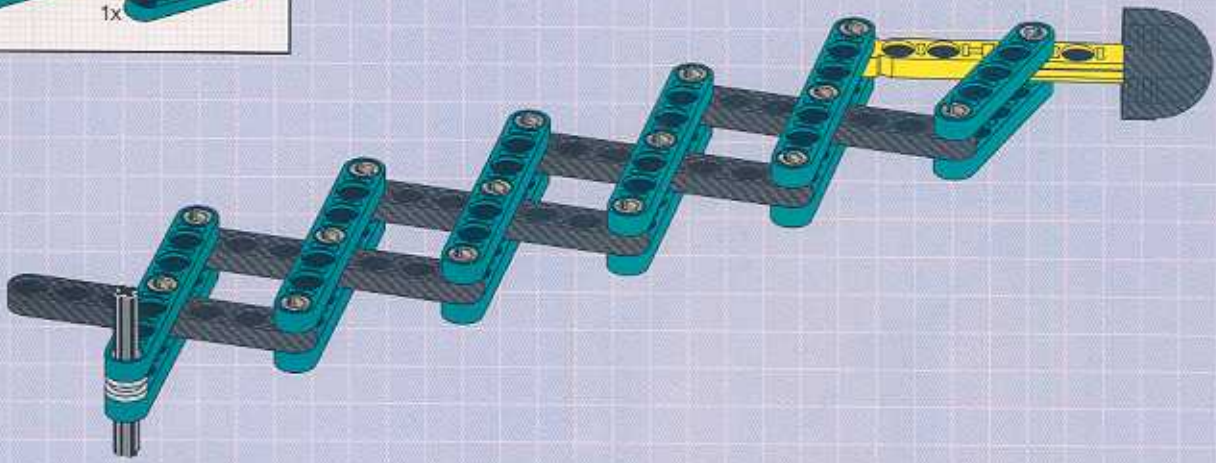


4

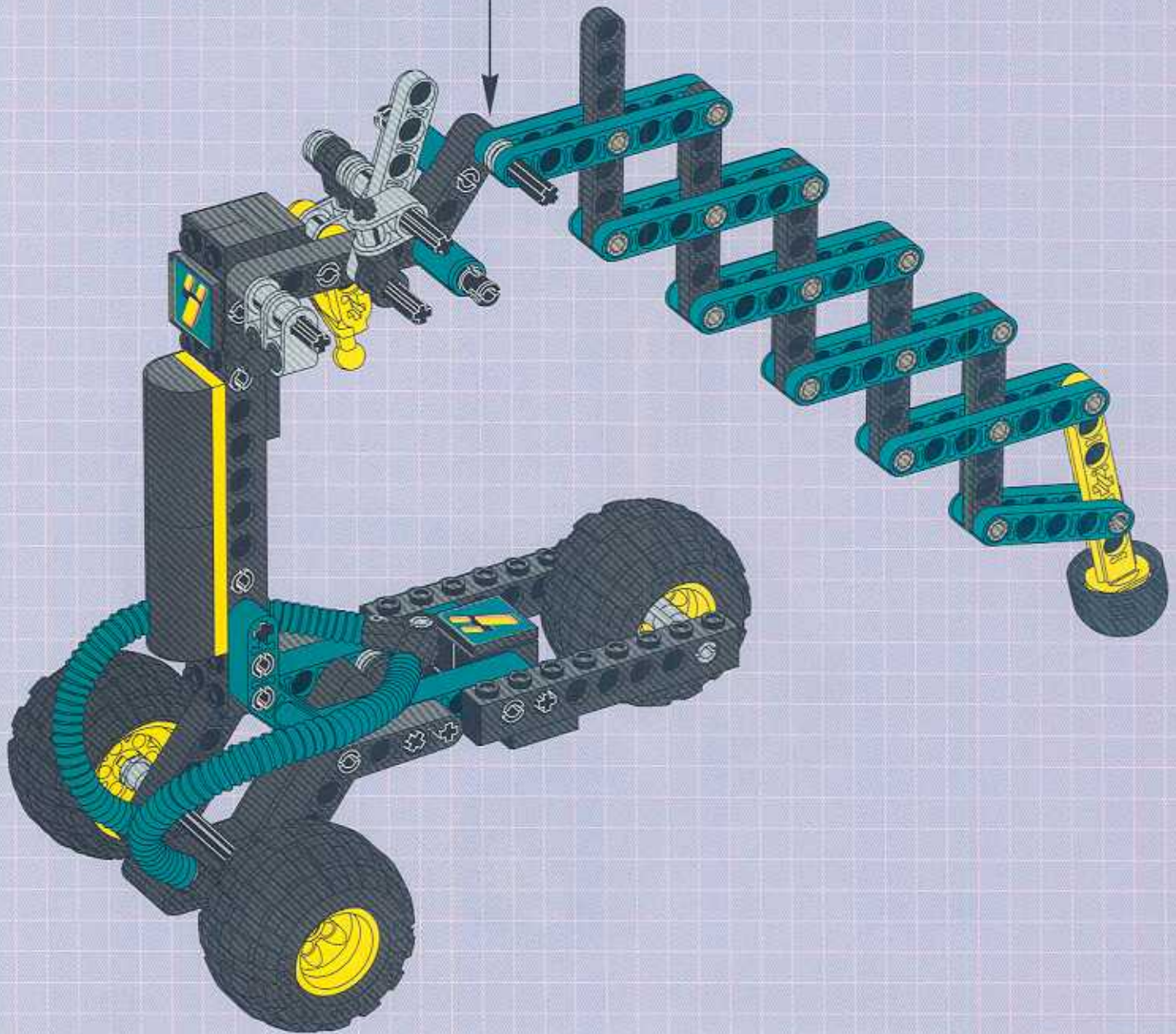


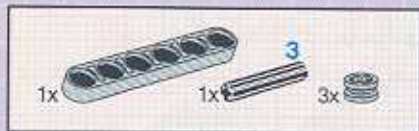


5

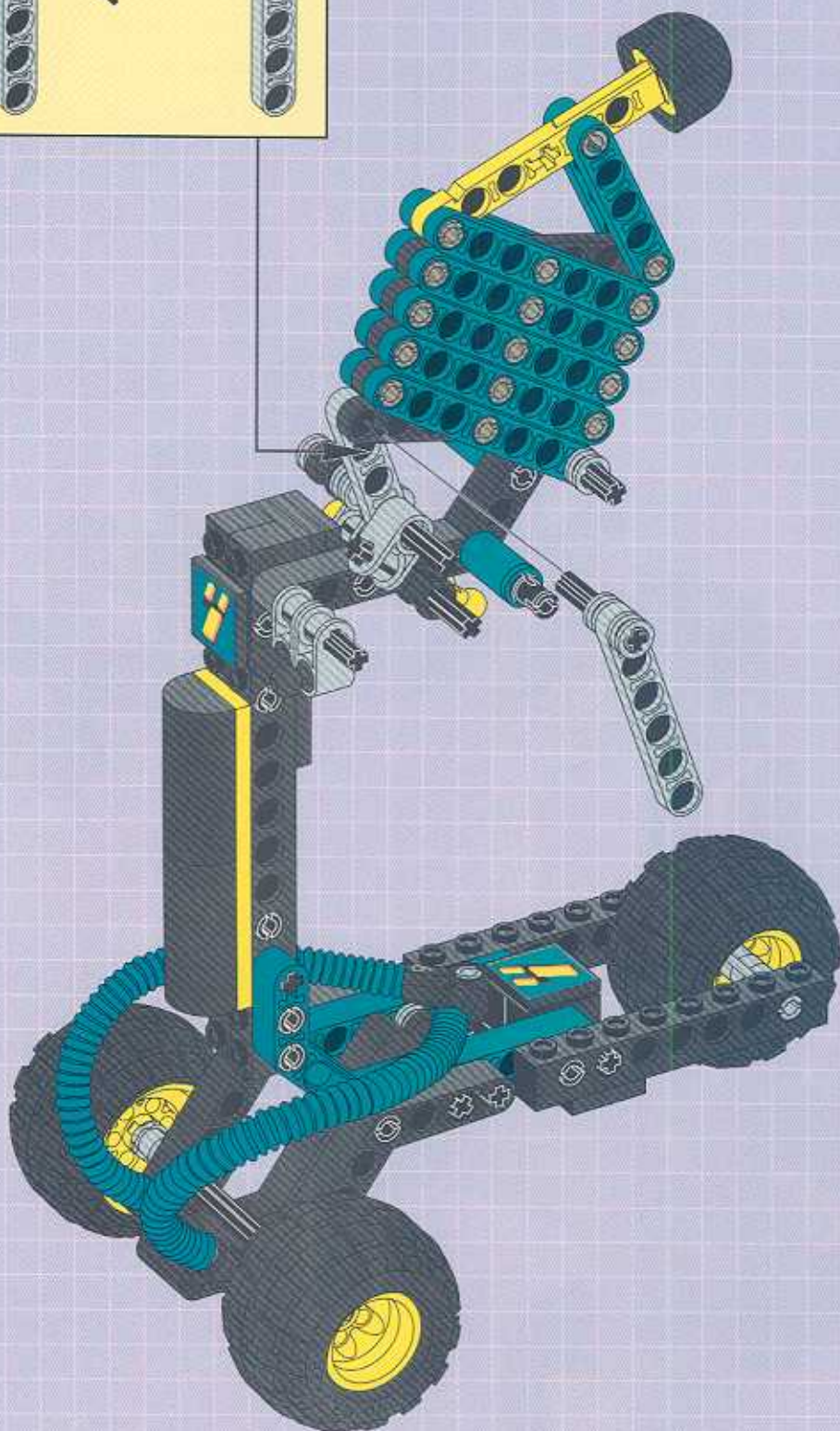
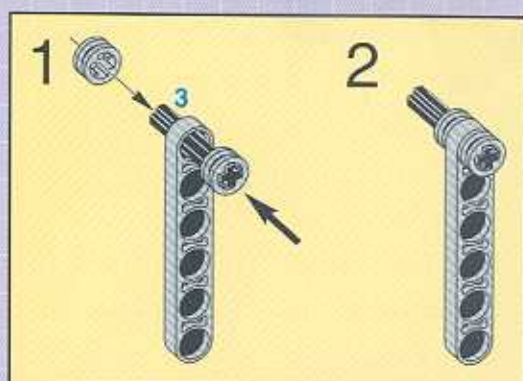


17



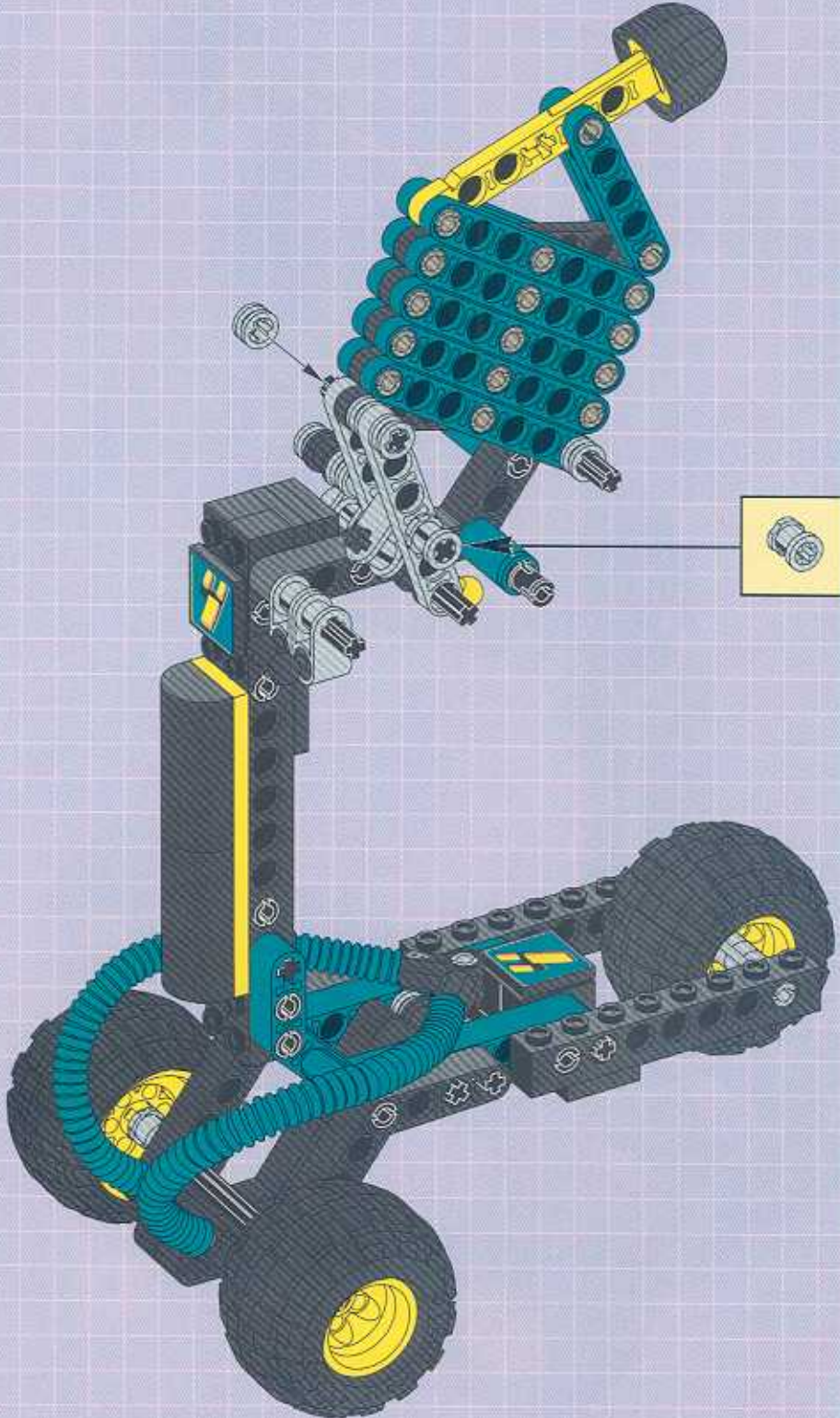


18



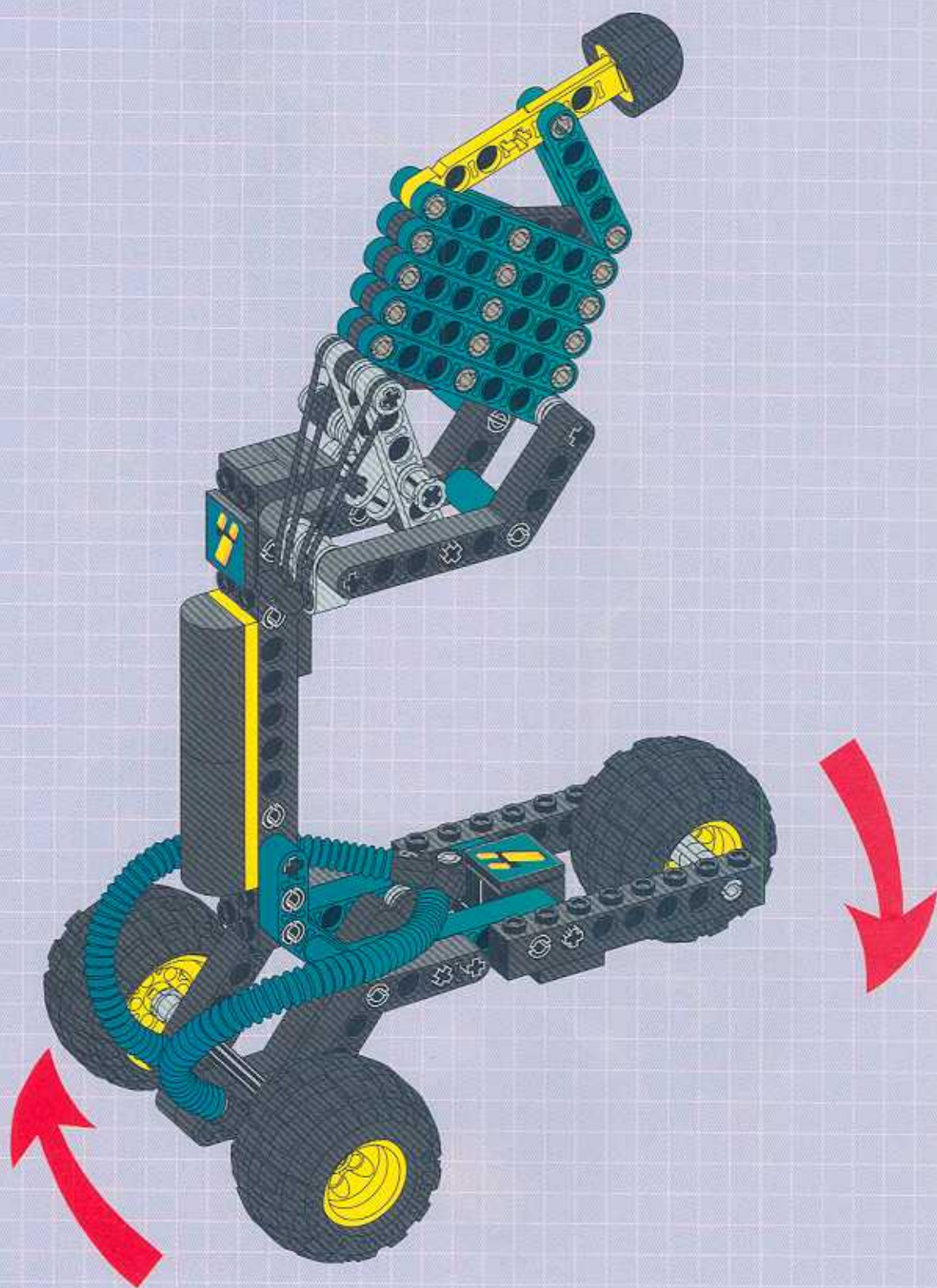


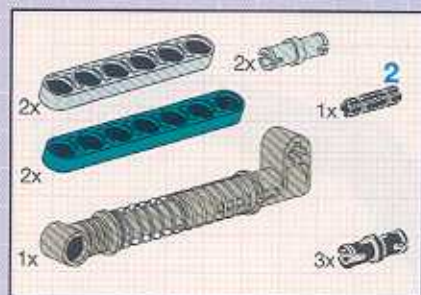
19



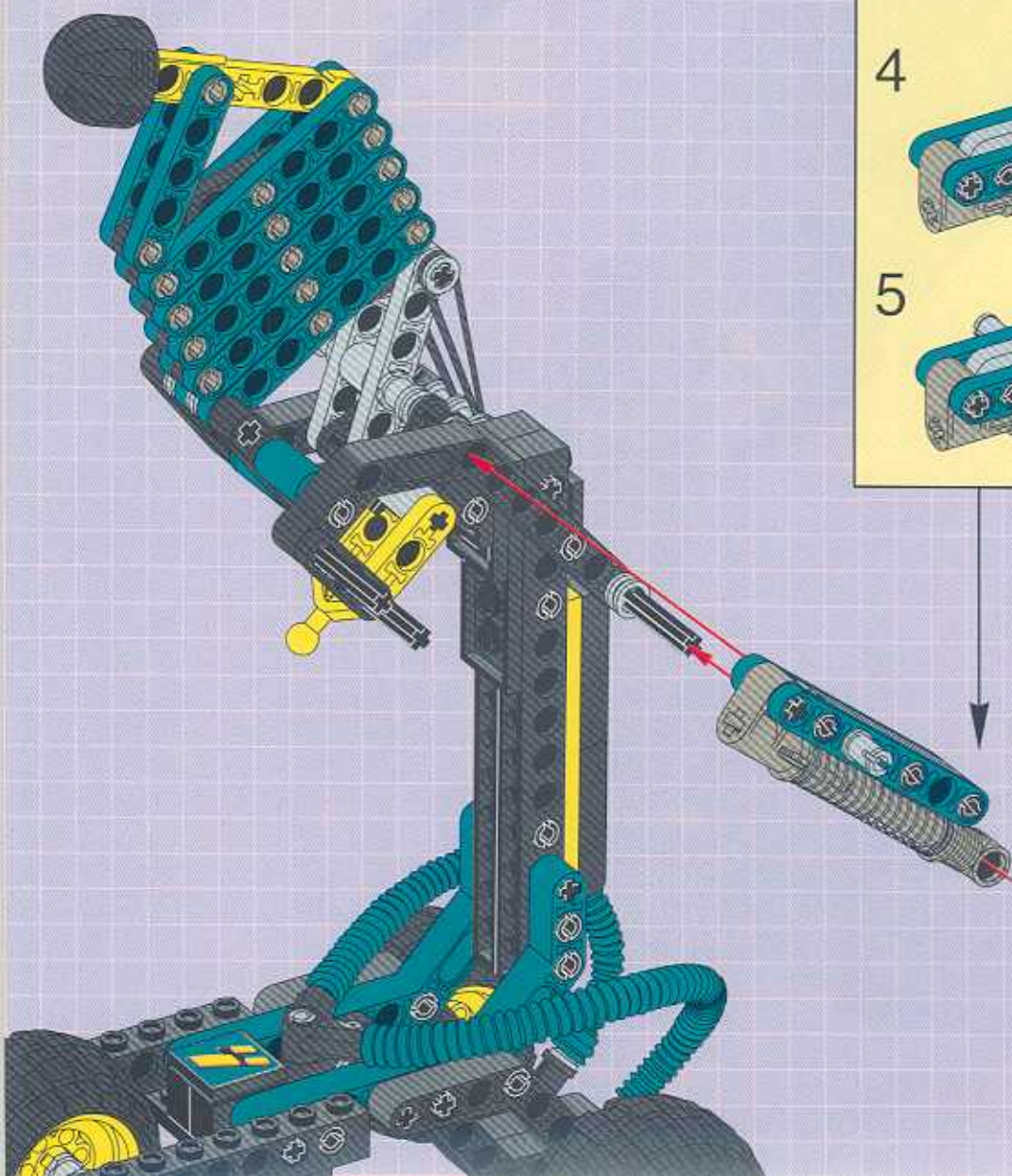
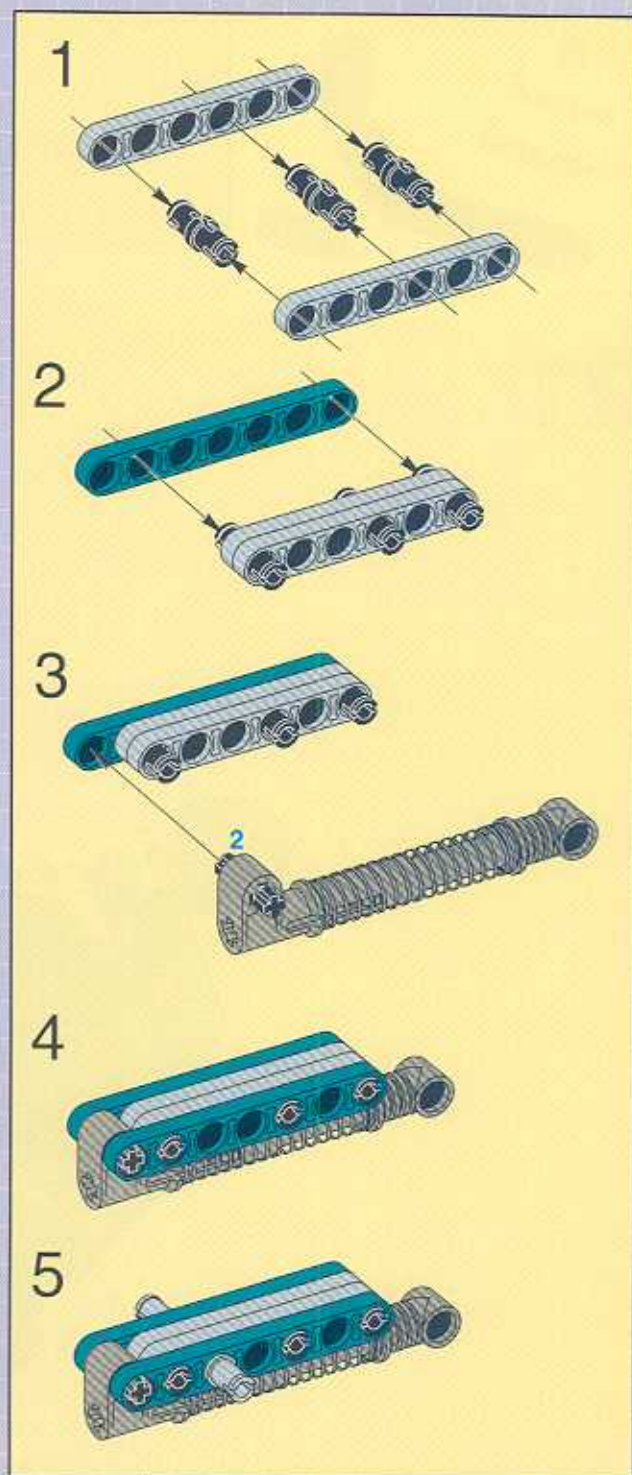


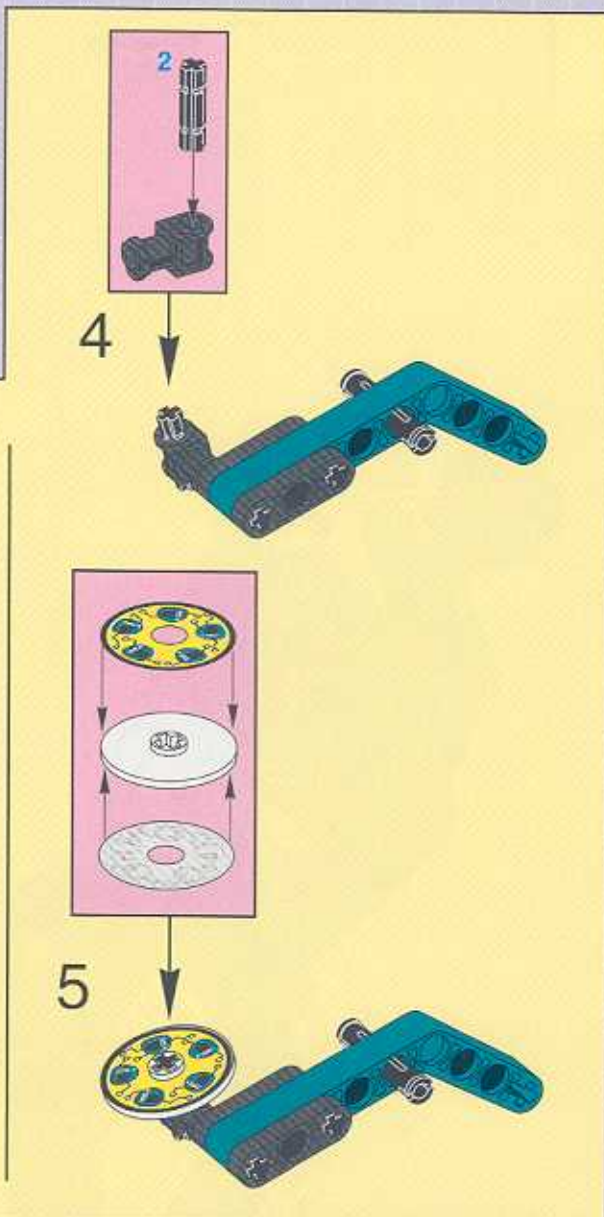
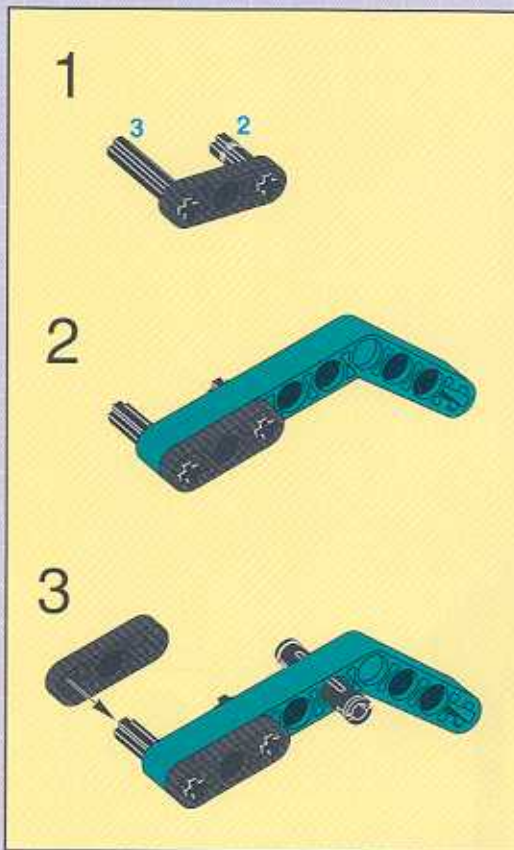
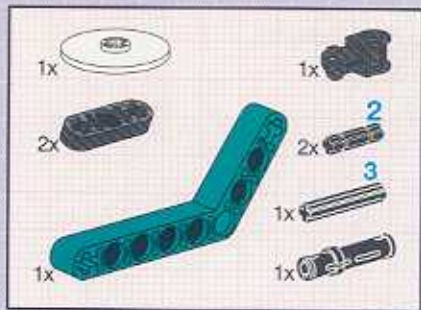
20



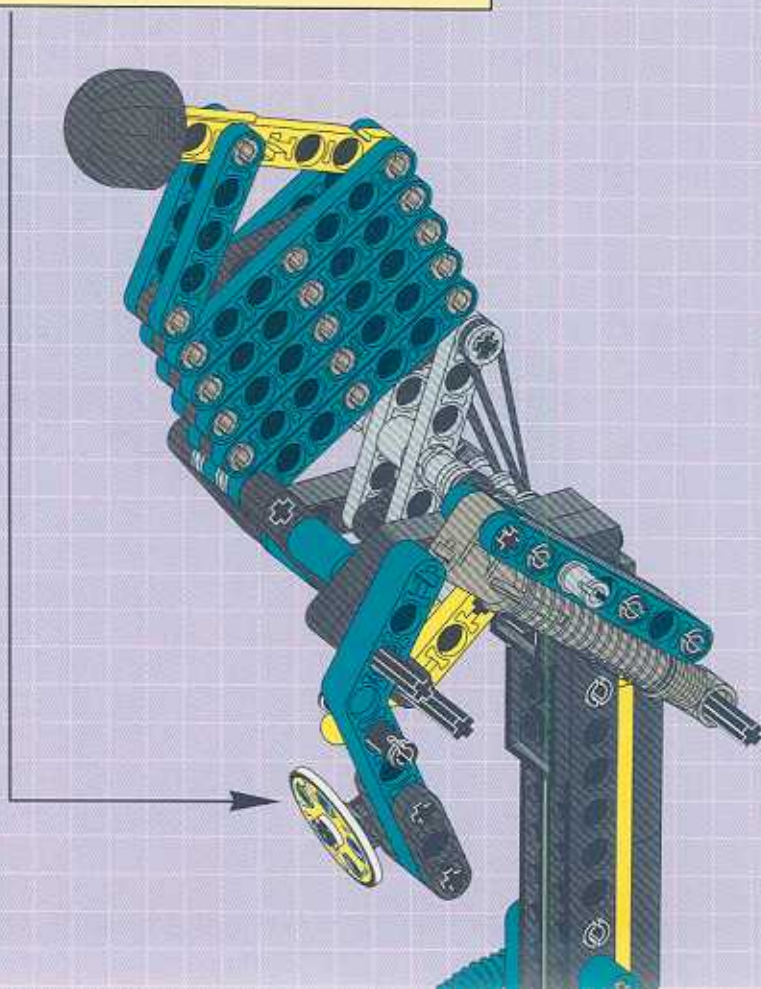


22





23



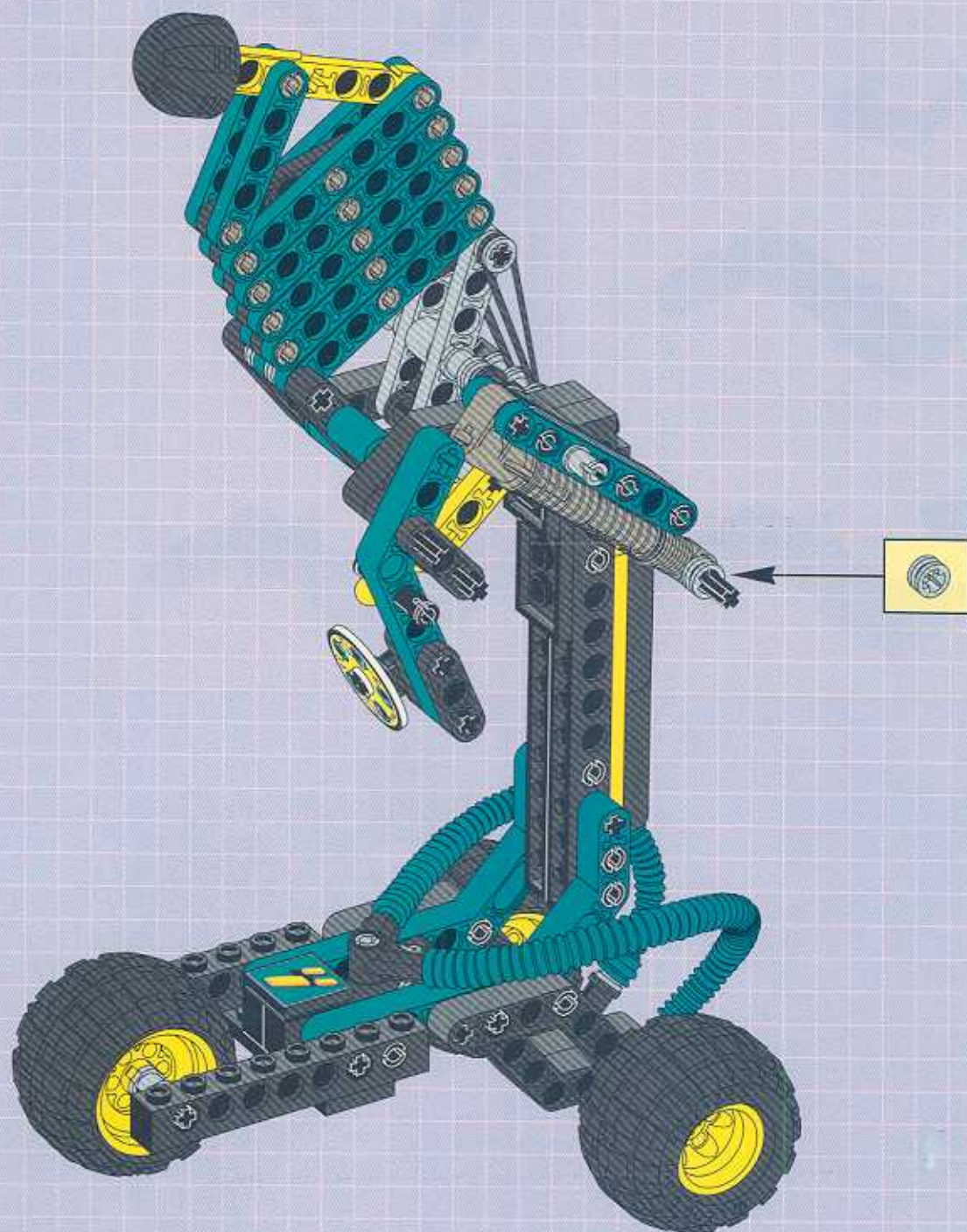


1x



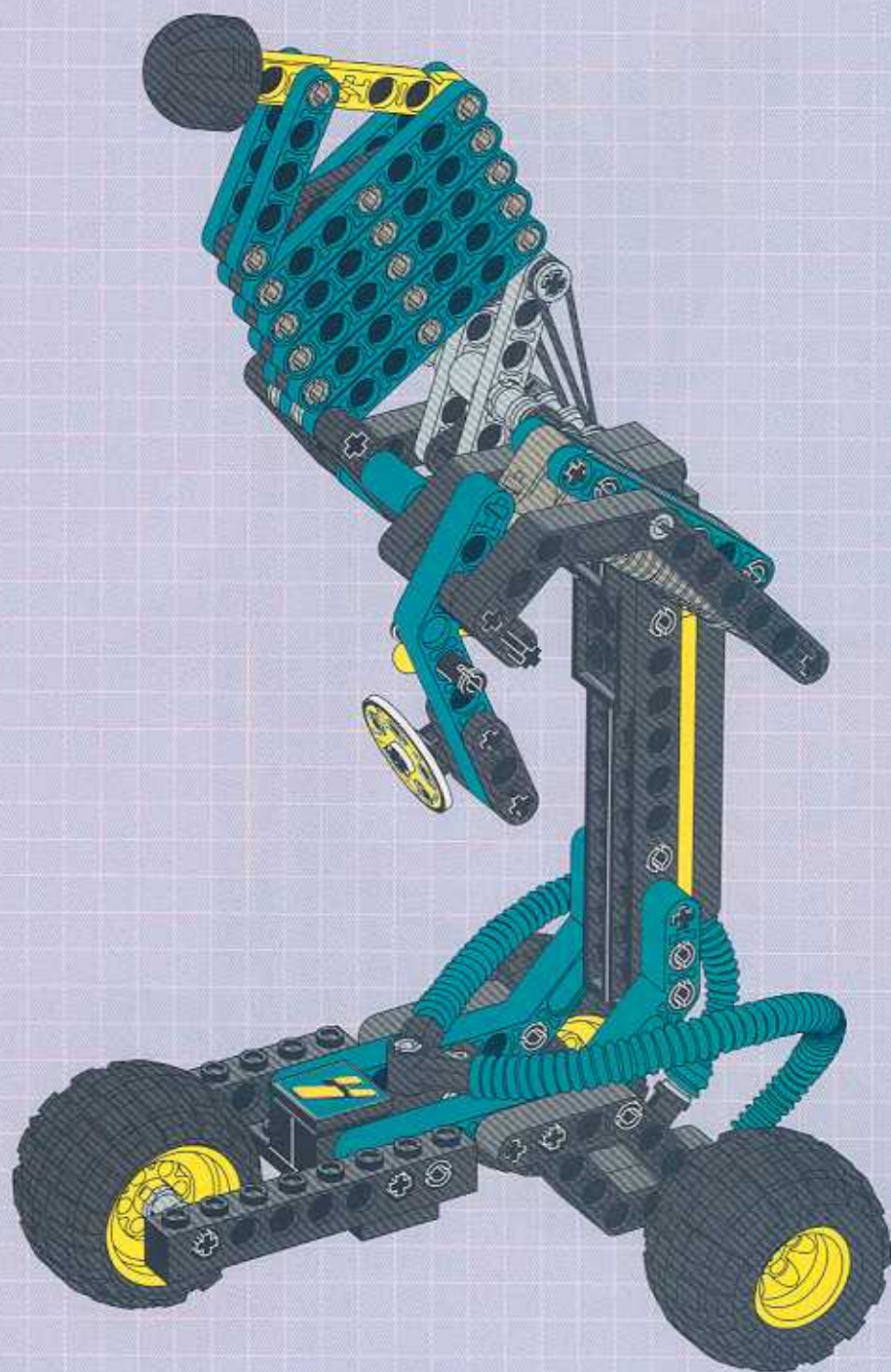
1x

24



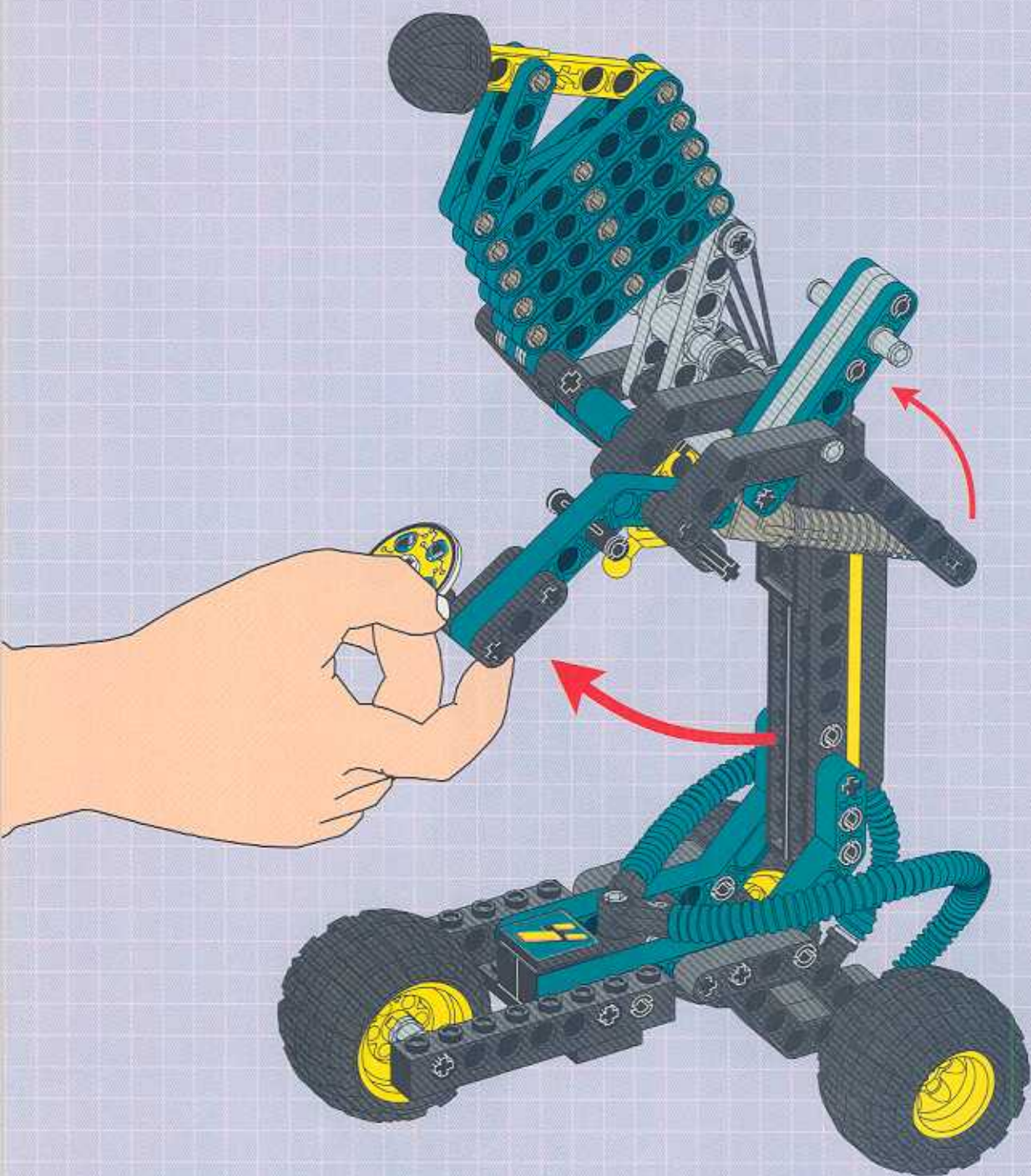


25



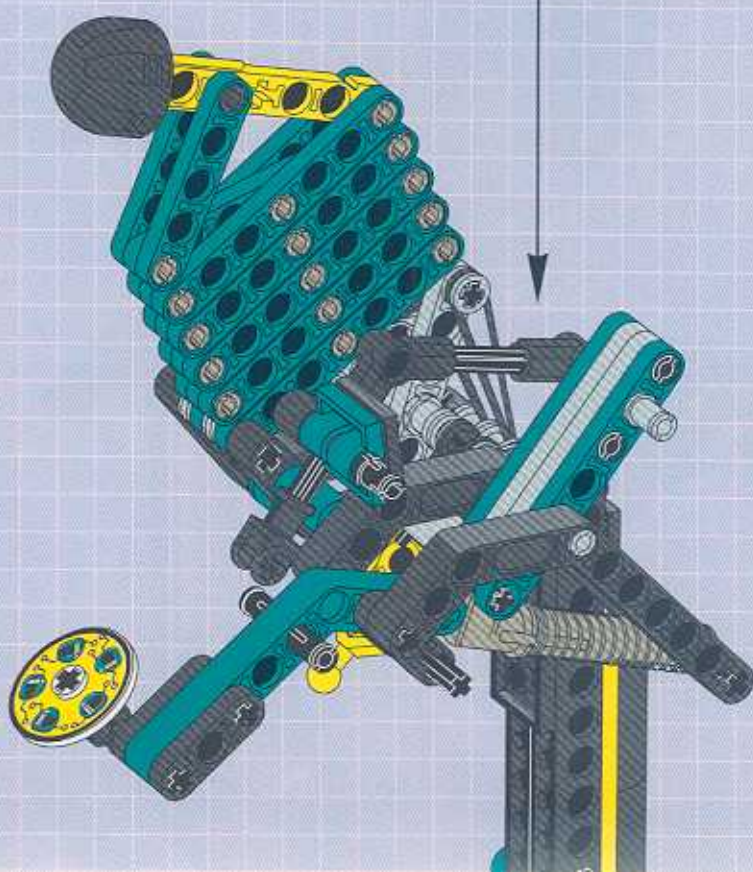
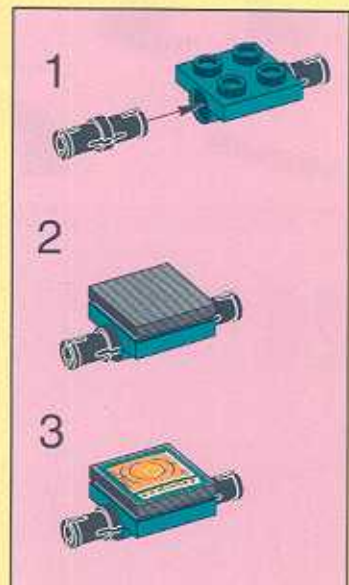
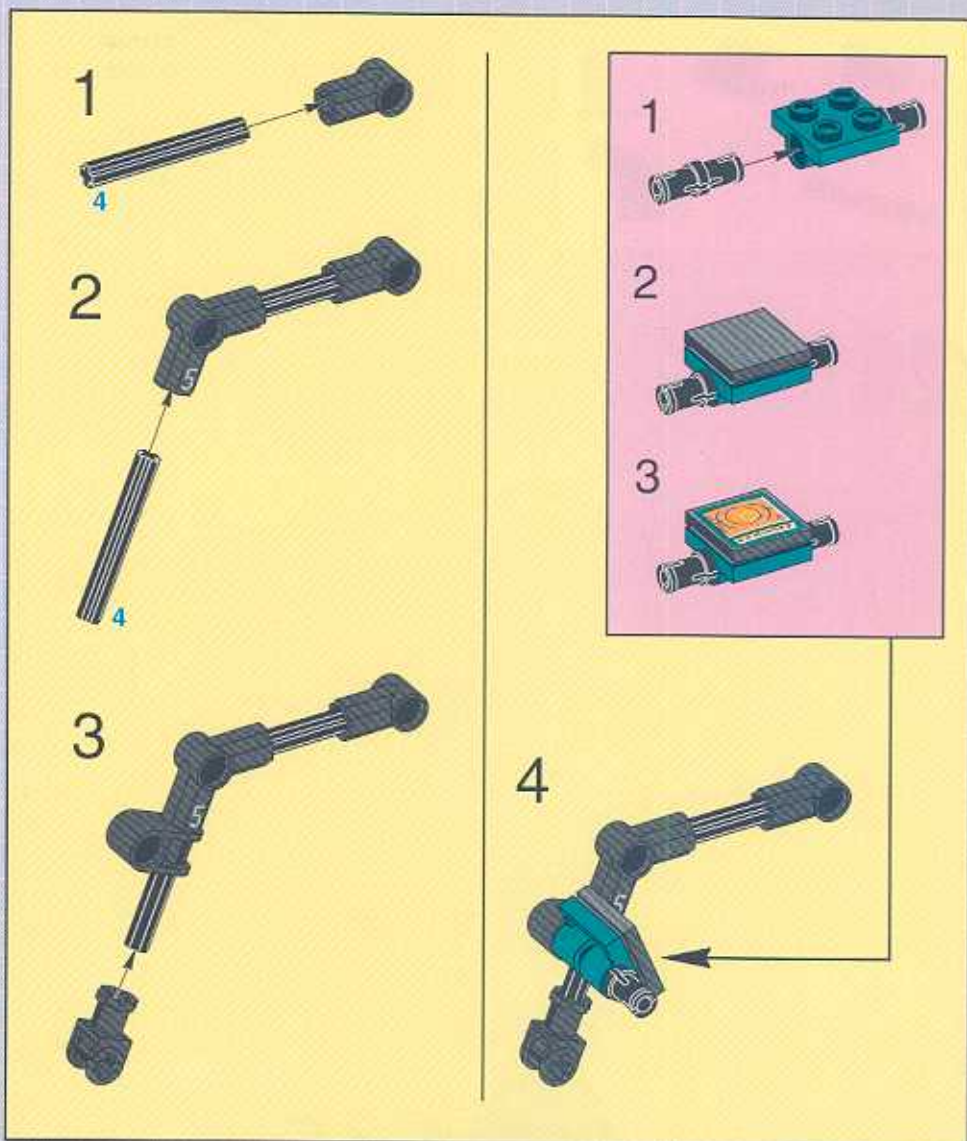
2x 

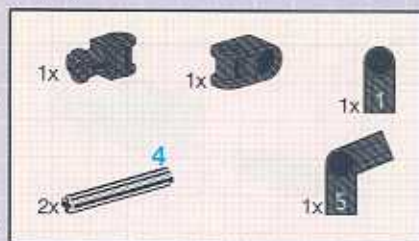
26



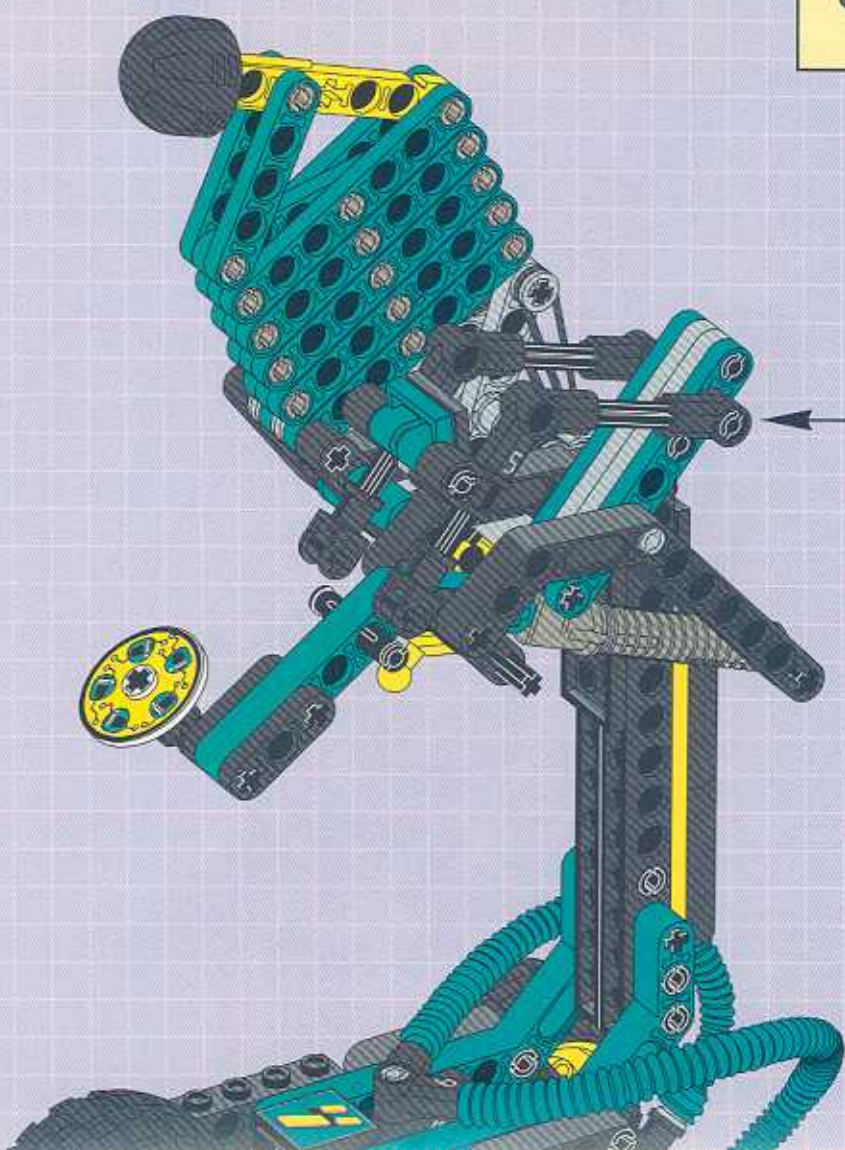
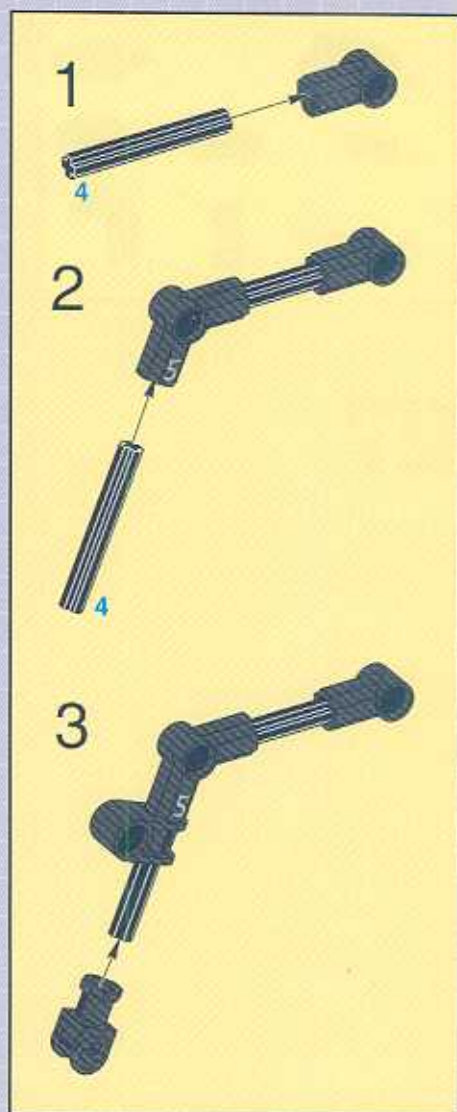


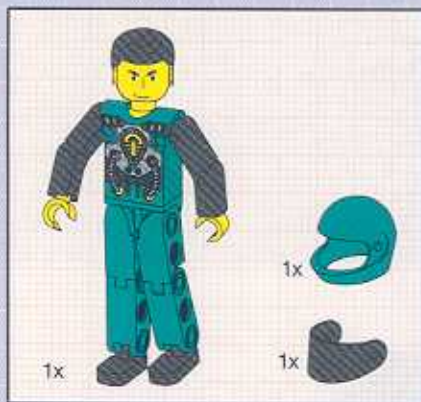
27





28





29

